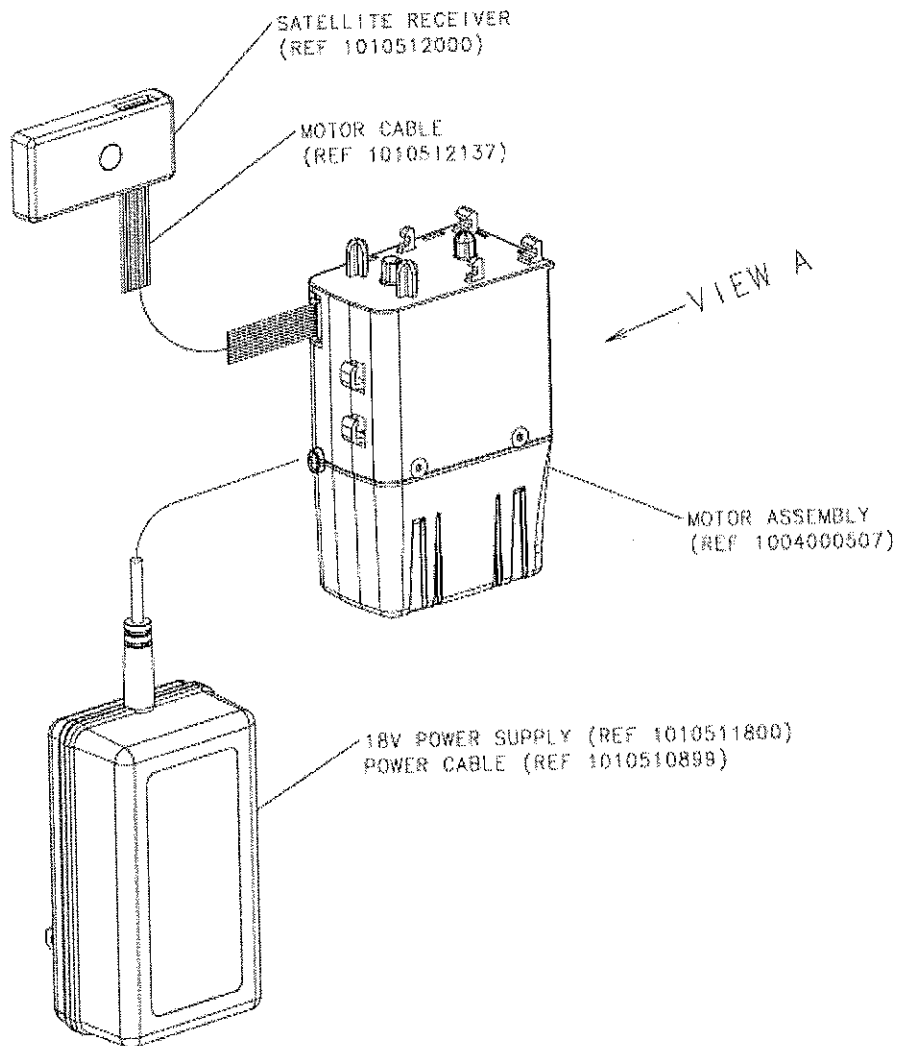


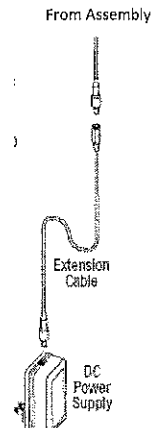
HunterDouglas

Instructions for PV3 Assembly



Connect the Power Source

- Plug the power cable from the motor into the extension cable.
- Plug the other end of the extension cable into the DC power supply.
- Plug the DC power supply into a standard outlet.



WARNING: Keep cords and small parts out of the reach of children. They can wrap cords around their necks and **STRANGLE**. They can also put small parts in their mouths and **CHOKE**.

WARNING: Electric shock and/or a fire hazard may occur if the DC power supply and cables are not properly installed.

Operate the Assembly

Check the Power Cord

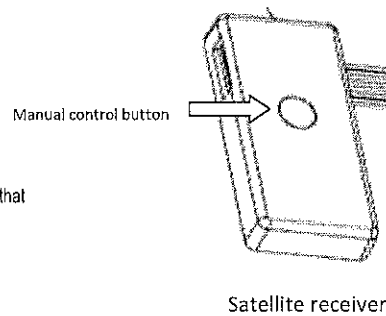
- Check to ensure the power cord is not pinched.

Test the Assembly Using the Manual Control Button

Testing the shade with the manual control button will allow you to ensure that the motor and power source are working correctly.

Press the manual control button to test operation

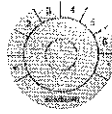
- Press the button on the satellite receiver to alternately rotate motor, stop, and rotate the other way.



Satellite receiver

Test the Assembly Using the Remote

Refer to the PowerView™ Remote Guide for more information.



To link a shade to a remote:

1. Press and hold ■ Stop for six seconds to put remote in program mode. The lights on remote will pulsate to indicate it is in program mode.
2. Press and hold the manual control button on the assembly.
3. While continuing to press the manual button, press ■ Stop on the remote. The motor will rotate slightly to indicate it has been linked to the network.
4. Press and hold ■ Stop for six seconds to exit program mode.

To join a shade to a GROUP:

1. Press and hold ■ Stop for six seconds to put remote in program mode. The lights on remote will pulsate to indicate it is in program mode.
2. Press desired group number (1 – 6) on the remote. The light for the group number selected will pulsate to show it is selected.
3. Press and hold the manual control button on the assembly.
4. While continuing to press the manual button, Press ▲ Open on the remote. The motor will rotate slightly to indicate it has joined the group.
5. Press and hold ■ Stop for six seconds to exit program mode.

To remove a shade from a group:

1. Press and hold ■ Stop for six seconds to put remote in program mode. The lights on remote will pulsate to indicate it is in program mode.
2. Press desired group number (1 – 6) on the remote. The light for the group number selected will pulsate to show it is selected.
3. Press and hold the manual control button on the assembly.
4. While continuing to press the manual button, Press ▼ Close on the remote. The shade will jog to indicate it has been removed from the group.

Radio Control Operation

Once the assembly has been joined to a group, radio control is used to operate the motor. There is no need to aim the remote toward the assembly being operated. Multiple assemblies can be operated at the same time.

Remote Functions:

1. To wake up remote, press ■ Stop. The last group(s) selected will be highlighted and active.
2. Press "All" or Groups 1-6 to select specific shade(s) to move. Selected groups will light to show they are selected.
 - a. Multiple Group number may be selected at a time.
 - b. To deselect a Group, press the Group number again. The light for that group will go out.
3. Select the ▲ OPEN button to move the motor in one direction.
4. Select the ▼ CLOSE button to move the motor in the other direction.
5. While a motor is in motion, press ▲ OPEN or ▼ CLOSE, the opposite of motor motion to reverse direction.