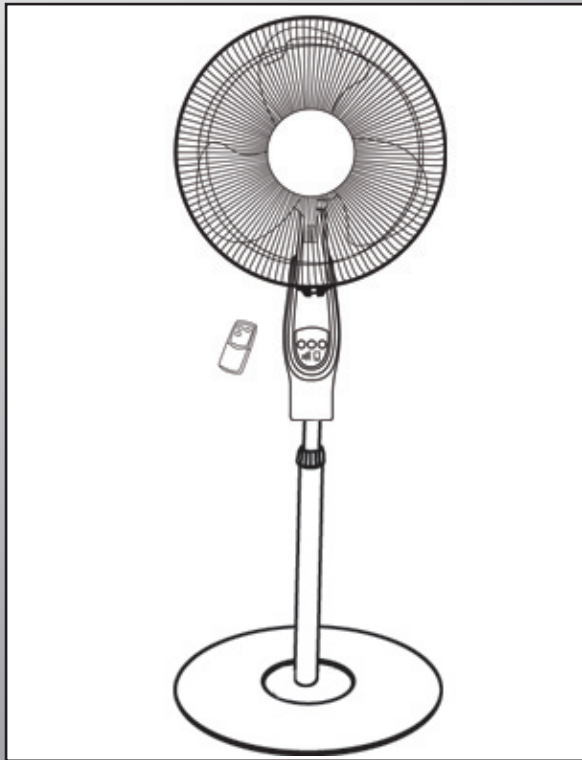


Oscillating Stand Fan

Owner's Manual



English

Model
90391

Form# 44830-01
20091209
©2009 Hunter Fan Co.

SINCE 1886
Hunter[®]

TABLE OF CONTENTS

Introduction	3
Safety and Warnings.....	3
Unpacking.....	5
Fan Assembly	5
Base Assembly	6
Stand Fan	6
Height Adjustment	6
Table Fan	7
Wall Mount	7
Remote Battery Installation	8
Operation - Fan/remote	8
Maintenance.....	9
Technical Support.....	10
Warranty.....	10
Products	12

INTRODUCTION

Thank you for choosing the Hunter Oscillation Stand Fan. This manual gives you complete instructions for assembling and using your fan. Here are some the features you will enjoy with your fan:

- ✓ An attractive design that enhances any decor
- ✓ A powerful motor for maximum air flow
- ✓ Three speeds to adjust your comfort level
- ✓ Remote controlled for added convenience
- ✓ Multiple oscillation settings
- ✓ Timed running mode.
- ✓ Parts of this fan, including the blades and the grill, have been treated with Hunter's Dust Armor protection, making them less likely to attract dust and dirt.

SAFETY AND WARNINGS

READ THIS ENTIRE MANUAL CAREFULLY BEFORE BEGINNING INSTALLATION. SAVE THESE INSTRUCTIONS FOR REFERENCE.

To reduce the risk of fire or electrical shock, DO NOT use this fan with any solid-state speed control device.

When using electrical appliances, basic precautions should always be taken to reduce the risk of fire, electric shock and personal injury:

Read all instructions before using this fan.

1. Improper installation may result in the risk of fire, electric shock or personal injury.
2. To prevent the risk of fire and electric shock, DO NOT use the unit near windows. Rain and moisture may create an electrical hazard.
3. The power plug must be removed from the power socket when not in use, before cleaning, servicing, maintenance and before moving to another location.
4. This product is intended for indoor use only. DO NOT place fan in damp locations where humidity is present.



5. The fan should be placed on a flat, stable surface or tabletop to avoid overturning.
6. Use fan only for intended use, as described in this instruction manual.
7. To protect against electrical shock, DO NOT immerse unit, plug or cord in water or spray with liquids.
8. Close supervision is necessary when any appliance is used by or near children.
9. NEVER insert fingers, pencils or any other objects through the grill when the fan is running.
10. DO NOT operate any appliance with a damaged cord or plug, after the appliance malfunctions or has been dropped or damaged in any manner.
11. To disconnect, grip plug and pull from wall outlet. NEVER pull on cord to disconnect from outlet.
12. ALWAYS use on a dry surface.
13. This product is intended for household use only and not for commercial or industrial use.
14. DO NOT operate fan in the presence of explosive and/or flammable fumes.
15. DO NOT place fan or any parts near an open flame, cooking or any other heating appliances.
16. DO NOT use near curtains, plants, window treatments, etc.
17. Do not mix old and new batteries.
18. Do not mix alkaline, standard (carbon-zinc), or rechargables (ni-cad, ni-mh, etc) batteries
19. This product conforms to UL STD 507 and is certified to STD C22.2 No.113



UNPACKING

As you unpack the fan, save the carton and packing materials in case you want to move or ship the unit in the future.

Carefully remove all items from the box.

NOTE: It is best to have someone hold the box while you lift the fan and the protective packaging out of the carton.

Make sure all shipping materials are removed from fan before operating.

FAN ASSEMBLY

1. Remove the Plastic Nut (2) from the fan motor housing . **Figure 3.**
2. Set the Rear Grill (3) against the front part of the Motor Housing with the handle facing up. The 3 pins on the motor housing should stick through the back of the Rear Grill. **Figure 4.**
3. Screw the Plastic Nut (2) onto the fan and tightly firmly. **Figure 4.**
4. Remove the Plastic Sleeve from the motor housing shaft and discard.
5. Install the Fan Blade (4) by sliding it over the motor housing shaft, lining up the cut-outs on the back of the Blade with the Retaining Pins on the Motor shaft. **Figure 5.**
6. Screw the Spinner (1) onto the shaft counterclockwise until secure. **Figure 5.**
7. Open the clips on the Front Grill
8. Set the Front Gill (5) into the notch on the bottom of the Rear Grill (3) So the Hunter logo is facing rightside up. **Figure 6.**
9. Close the clips On the Front Grill to hold both Grill pieces in place. Insert the grill screw on the top of the fan grill and tighten securely.

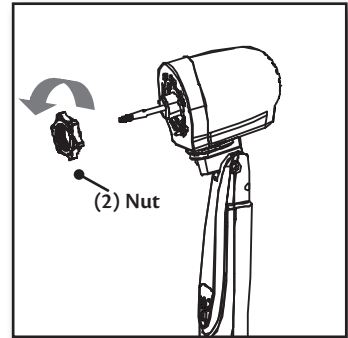


Figure 3.

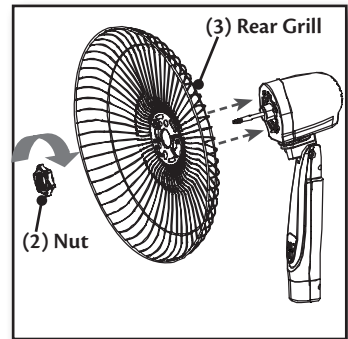


Figure 4.

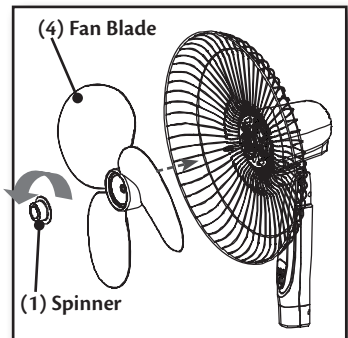


Figure 5.

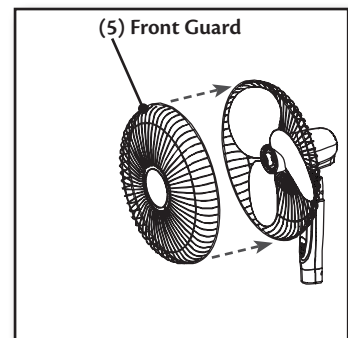


Figure 6.

BASE ASSEMBLY

Stand Fan

1. Slide the Telescope Rod (7) into the top of the Stand Base (8) aligning the 4 screw holes. **Figure 7.**
2. Secure the Telescope Rod (7) by inserting the 4 base screws(9) into the 4 nuts placed on the bottom of the fan base and tighten securely. **Figure 8.**
3. Remove the Adjustment Knob(10) by twisting counter-clockwise and slide the Base Cover(11) down the Telescope Pole(7) until it covers the Screws at the Stand Base(8). **Figure 9.**
4. Reattach the Adjustment knob and tighten.
5. Loosen the Screw in the back of the Fan Assembly.
6. Slide the Fan Assembly onto the telescope pole of the base until it rests on the top of the pole. **Figure 10.**
7. Tighten the screw on the back of the fan Assembly until secure.

Warning: Do not force pole into the Stand Base as damage to the Telescope Pole may occur. Do not overtighten the Base Nut or screws.

Height Adjustment

1. Grip the upper part of the telescope pole and loosen the Adjustment Knob.
2. Raise or lower the pole to the desired height.
3. Turn the Adjustment Knob until it is secure.

When adjusting the height of the fan, always grip the pole above the adjustment knob firmly to prevent the telescoping pole from collapsing.

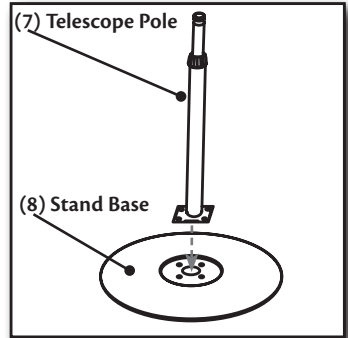


Figure 7.

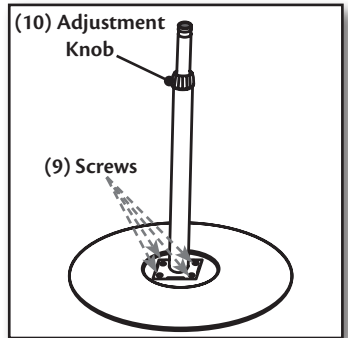


Figure 8.

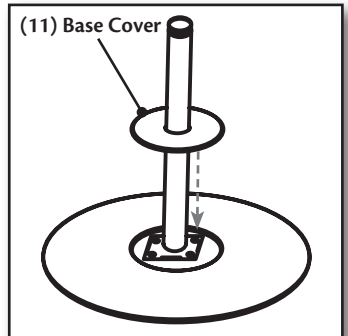


Figure 9.

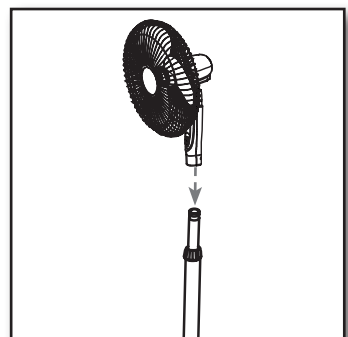


Figure 10.

REMOTE BATTERY INSTALLATION

1. Turn the Remote Control over and Remove the Battery Cover from the back by gently pressing down on the tab and sliding down on the tab. **Figure 11.**
2. Insert 2 "AAA" Batteries into the battery compartment, ensuring the positive and negative ends of the batteries are installed correctly.
3. Slide the Battery Cover back and snap into place.

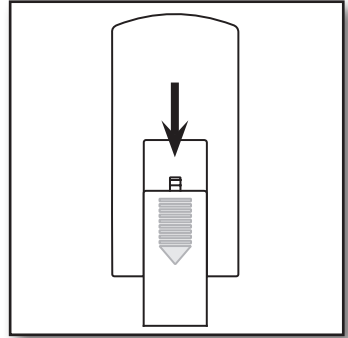


Figure 11.

OPERATION - FAN/REMOTE

See **Figure 12.** for fan operation and **Figure 13.** for remote operation.

ON/SPEED - Turns the unit on and adjust the speed of the unit between High, medium, and low.

OSC - Sets the oscillation mode of the fan.

TIMER - Used to set the running time to 0.5 to 7.5 hours in 30 min, 0.5 increments.

Note: The digital indicators on the fan will light up to indicate the timer setting. 0.5 will light up for 30 minutes or 1H and 4H will light up to indicate 5 hours.

OFF - Turns the fan off.

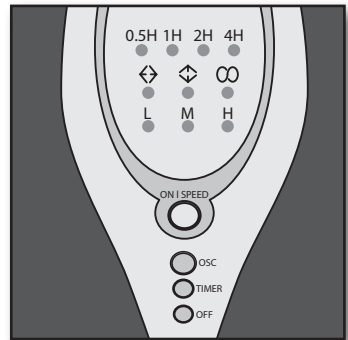


Figure 12.

FAN INDICATORS

L M H - Indicates the current running speed of the fan.

0.5 1H 2H 4H - Shows the number of hours the timer is set to run.

 - Fan oscillates from left to right.

 - Fan oscillates up and down.

 - Fan oscillates in a figure 8 motion.

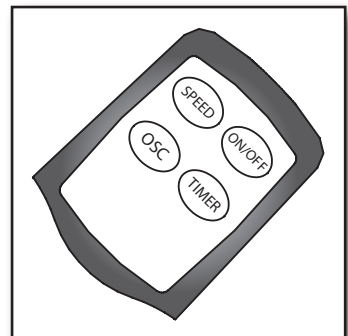


Figure 13.

MAINTENANCE

This fan is permanently lubricated and will not require additional lubrication (oil) for the life of the fan.

This fan requires little maintenance and contains no user serviceable parts. **DO NOT** try to fix it yourself. Contact qualified service personnel if servicing is needed.

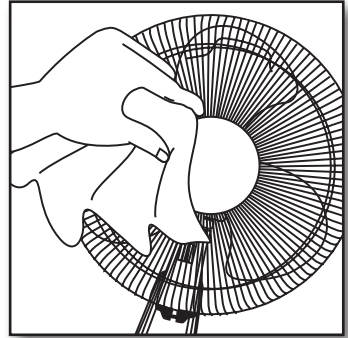
Before cleaning, turn fan off and unplug from electrical outlet. Wipe off excess dust with a lintfree cloth.

To ensure adequate air circulation to the motor, keep vents located at the rear of the motor housing free from dust accumulation. A vacuum cleaner hose can be used to clean these vents.

DO NOT immerse the fan in water or any other liquid.

CLEANING THE GRILL AND BLADE:

1. Turn the fan off and unplug from the electrical outlet.
 2. Disassemble the grills by carefully lifting the latches around the outer ring.
 3. Remove the front grill.
 4. The blade may be removed by turning the Spinner Knob clockwise.
- ✓ Use a dry or slightly damp lint free cloth to clean the fan. Do not use a furniture polish or any other cleaners that leave any residue, as they will damage the protective Dust Armor.
 - ✓ **DO NOT** allow water or any other liquid to get into the motor housing or base.
 - ✓ Reassemble the fan after blades and grills have dried completely.
 - ✓ **DO NOT** plug the fan into an electrical outlet until it has been fully reassembled.



1. Problem

- ✓ Fan will not oscillate.

Solution

- ✓ Push down on the knob on top of motor housing to activate oscillation.

2. Problem

- ✓ Can not adjust the angle of the fan.

Solution

- ✓ Gentle grasp the grill of the fan and tilt up or down.

3. Problem

- ✓ Remote control will not operate.

Solution

- ✓ Remove the battery cover and confirm the batteries are installed correctly according to polarity markings.



TECHNICAL SUPPORT

If you have any additional questions or problems with your Hunter Portable Fan, please call:

USA: 1-888-830-1326
Canada: 1-866-268-1936

Hours of operation are from 7:00 am to 7:00 pm Monday - Friday and 8:00 am to 5:00 pm on Saturday, Central Time. You may also contact us over the Internet at www.hunterfan.com.



WARRANTY

The Hunter Fan Company makes the following limited warranty to the user or consumer purchaser of this Hunter Portable fan:

If your Hunter Portable Fan motor fails at any time within one year after the date of sale to you due to a defect in material or workmanship, labor to repair the defect will be provided free of charge at our nearest service center or our Service Department in Memphis, Tennessee. You will be responsible for labor costs after this one-year period. The foregoing limited warranty applies only to the motor itself, and does not apply to electronic controls



such as remote controls, remote control receivers or transmitters used in conjunction with the motor. These electronic control items are included in the one year limited warranty below.

If any part of your Hunter Portable Fan other than the motor fails at any time with one year after the date of sale to you due to a defect in material or workmanship, we will repair or, at our option, replace the defective part free of charge for parts and labor performed at our nearest service center or at our Service Department in Memphis, Tennessee.

IF THE USER OR CONSUMER PURCHASER CEASES TO OWN THE FAN, THIS WARRANTY AND ANY IMPLIED WARRANTY WHICH THEN REMAINS IN EFFECT, INCLUDING BUT NOT LIMITED TO ANY IMPLIED WARRANTY OF MERCHANTABILITY OR FITNESS FOR A PARTICULAR PURPOSE, ARE VOIDED. NO WARRANTY, EXPRESSED OR IMPLIED, INCLUDING ANY WARRANTY OF MERCHANTABILITY OR FITNESS FOR A PARTICULAR PURPOSE, IS MADE IN RESPECT TO THE GLASS GLOBES OR LIGHT BULBS OR THE FINISH ON ANY METAL PORTION OF THE FAN. THIS WARRANTY IS IN LIEU OF ALL OTHER EXPRESS WARRANTIES. THE DURATION OF ANY IMPLIED WARRANTY, INCLUDING, BUT NOT LIMITED TO ANY IMPLIED WARRANTY OF MERCHANTABILITY OR FITNESS FOR A PARTICULAR PURPOSE, IN RESPECT TO ANY HUNTER FAN MOTOR OR OTHER FAN PART, IS EXPRESSLY LIMITED TO THE PERIOD OF THE EXPRESS WARRANTY SET FORTH ABOVE FOR SUCH MOTORS AND OTHER PARTS.

This warranty is voided if your Hunter Fan is not purchased and used in the USA.

This warranty excludes and does not cover defects, malfunctions or failures of any Hunter Portable fan which were caused by repairs by persons not authorized by us, use of parts or accessories not authorized by us, mishandling, improper installation, modifications, or damage to the Hunter Portable fan while in your possession, or unreasonable use, including failure to provide reasonable and necessary maintenance.

To obtain servicing, contact the nearest Hunter authorized service center or the Hunter Fan Company Service Department, 7130 Goodlett Farms Pkwy. Suite 400,



Memphis, Tennessee 38016. Please contact us before shipping your fan to us. If we authorize you to ship it to us, you will be responsible for all insurance and freight or other transportation charges to our factory service center. We will return your Hunter Fan freight prepaid. Your portable fan should be properly packed to avoid damage in transit since we will not be responsible for any such damage. Proof of purchase is required when requesting warranty service. The purchaser must present sales receipt or other document that establishes proof of purchase.

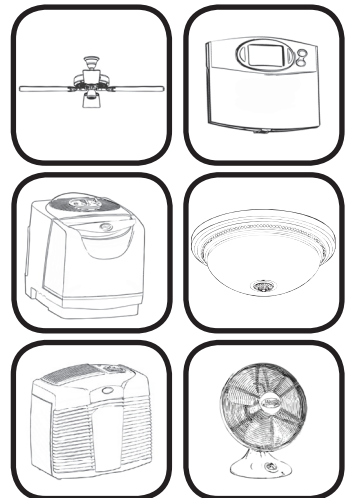
IN NO EVENT SHALL HUNTER FAN COMPANY BE LIABLE FOR CONSEQUENTIAL OR INCIDENTAL DAMAGES.

SOME STATES DO NOT ALLOW LIMITATIONS ON HOW LONG AN IMPLIED WARRANTY LASTS OR THE EXCLUSION OR LIMITATION OF INCIDENTAL OR CONSEQUENTIAL DAMAGES SO THE ABOVE LIMITATION MAY NOT APPLY TO YOU.

THE WARRANTY GIVES YOU SPECIFIC LEGAL RIGHTS AND YOU MAY ALSO HAVE OTHER RIGHTS WHICH VARY FROM STATE TO STATE.



PRODUCTS



To learn more about Hunter Fan Company products, please see our Web page at:

www.hunterfan.com

Hunter Company
7130 Goodlett Farms Pkwy., Suite 400
Memphis, Tennessee 38016