

Original® Remote Fan & Light Control Model 27187

Ratings: 120 VAC, 60 Hz, 2.0 Amp Fan Receiver Weight 16 oz.
300 Watt incandescent light

Read and Save these Instructions

Caution: Risk of Electrical Shock!

All wiring must be performed in accordance with national and local electrical codes. If you are unfamiliar with the wiring codes, you should use a qualified electrician.

To avoid overheating and possible damage to other equipment, do not install to control a receptacle, fluorescent light fixture, motor operated appliance, or transformer-supplied appliance. Use only to control one paddle-blade ceiling fan and incandescent light fixture.

Notes:

1. This device complies with Part 15 of the FCC Rules. Operation is subject to the following two conditions: (1) this device may not cause harmful interference, and (2) this device must accept any interference received, including interference that may cause undesired operation.

2. This equipment has been tested and found to comply with the limits for a Class B digital device, pursuant to Part 15 of the FCC Rules. These limits are designed to provide reasonable protection against harmful interference in a residential installation. This equipment generates, uses and can radiate radio frequency energy and, if not installed and used in accordance with the instructions, may cause harmful interference to radio communications. However, there is no guarantee that interference will not occur in a particular installation.

If this equipment does cause harmful interference to radio or television reception, which can be determined by turning the equipment off and on, the user is encouraged to try to correct the interference by one or more of the following measures:

- Reorient or relocate the receiving antenna.
 - Increase the separation between the equipment and receiver.
 - Connect the equipment into an outlet on a circuit different from that to which the receiver is connected.
 - Consult the dealer or an experienced radio/TV technician for help.
3. For use only with electrically reversible ceiling fans rated at 2.0 amps or less, and fan incandescent light kits rated at 300 watts or less.
4. Not for use with shaded-pole or non-reversible motors.

5. Medium and Low fan speeds are determined by the Original® control and thus may vary from the factory settings due to normal motor variations.

Before Installing the Original® Control:

1. Confirm that your Hunter Original® ceiling fan is electrically reversible. Look for a reversing switch on the switch housing below the motor. Refer to Figure 1.
2. Use the pull-chain switch to set the fan speed to the HIGH position before installation. Do not use the pull-chain to change the fan speed after installation, as damage to your ceiling fan or control may result. The speed of the fan should only be changed by the Original® control.
3. Set the ceiling fan light kit to the ON position before installation. The light level should only be changed by the Original® control.

Receiver Installation:

1. Disconnect power to the ceiling fan and light kit at the main electric panel. Remove fuse or move circuit breaker to the OFF position.
2. IMPORTANT! Before installing this control, change the factory

Figure 1

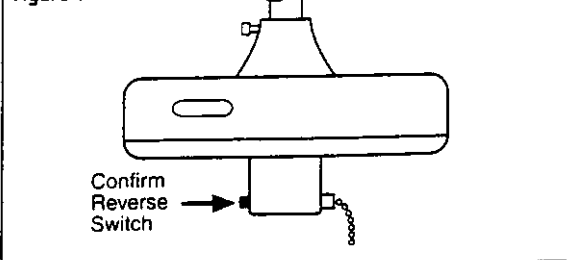
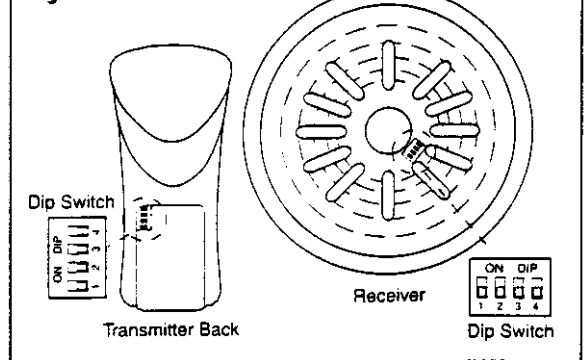


Figure 2



Select your own unique code, being sure settings match in the transmitter and receiver.

default dip switch settings to your own unique code. Refer to Figure 2. Be sure the dip switch positions of the transmitter and receiver match, or the ceiling fan will not function.

Select different combinations of dip switches to prevent mis-operation due to other remote control fans, garage door openers, etc.

3. This Original® remote control mounts between the ceiling and fan hanger bracket. Therefore, if the fan is already installed, it will need to be taken down.

4. Wire the power leads coming from the ceiling outlet box. Connect the main wires from the top of the control – white to white, and black to black. See Figure 3. Push the wires up into the outlet box and arrange the wire connectors to point upward. Separate the wires so that the black wires are on one side of the box and the white wires are on the other.

5. Bring the control up to the ceiling. Feed the bare copper ground wire down through the center hole of the control. Use the lag screws (included) to hold the control and the fan mounting bracket in place. See Figure 4.

6. Mount the fan to the fan hanger. Connect the white wire from the control to the fan white wire and the black wire to the black. Connect the bare copper wire to the green ground wire from the fan. Connect the red wire from the control to the fan through-wire that goes directly to the light kit. See Figure 5. Push the connections up through the center hole into the ceiling outlet box.

7. Complete the installation of the fan by following the instructions supplied with the fan.

8. Restore power at main electrical panel.

Figure 3

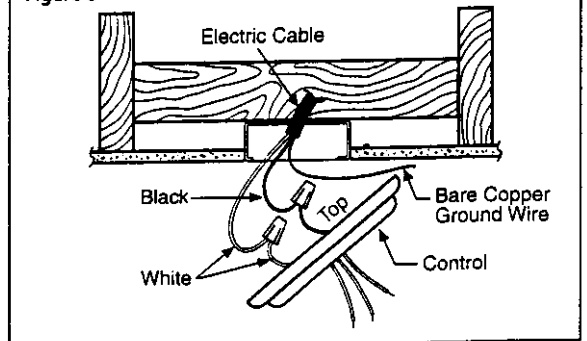
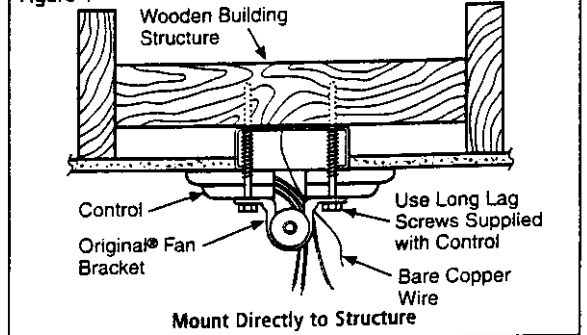
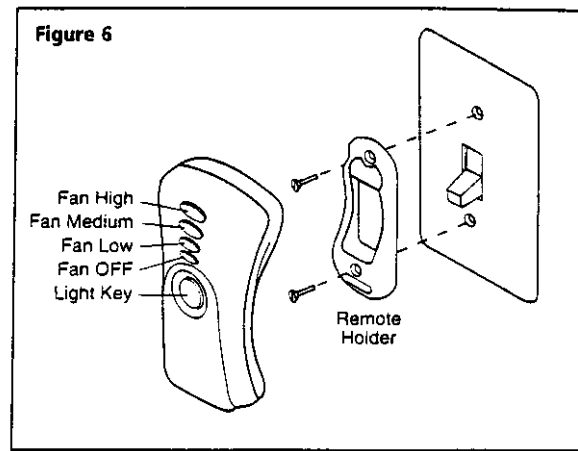
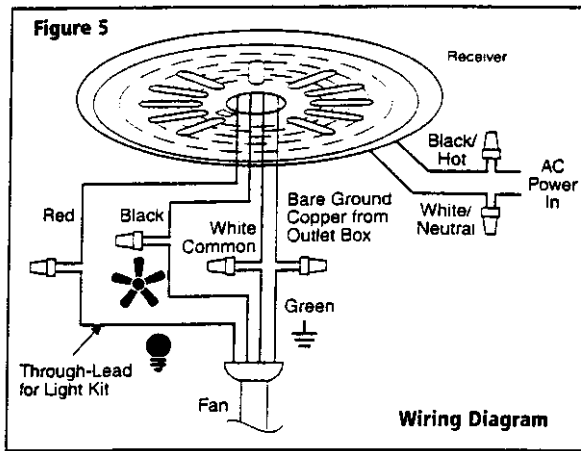


Figure 4





Transmitter Installation:

1. Install a 9 volt battery inside the hand-held transmitter after setting the dip switches to match the dip switches in the receiver.
2. Mount the remote holder over the ceiling fan's wall switch using the existing wall plate screws. Refer to Figure 6.
3. The transmitter can be placed on the remote holder for convenience or safekeeping.

Operation:

1. Turn ON wall switch, the light will turn ON at maximum brightness.
2. Light Operation:
 - Press and quickly release the light button on the hand held remote to turn the light OFF or ON. (Light will come ON at low brightness.)
 - Press and hold the light button for more than 1 second to turn the light ON and increase from low to maximum brightness.
 - Release the light button when the desired light level is reached.
 - Continue to hold the light button to repeat the cycle. (OFF—light level increase—High)

- While the light is ON, holding the light button will increase the light brightness.
 - Turning the light OFF resets the dimming function. The next press of the light button will start at low brightness.
- The light button glows in the dark for easy nighttime operation.

3. Fan Operation:

- Press the fan speed button to turn ON the ceiling fan at High speed. Press again to change the speed to Medium, then again to Low.
- Press the fan OFF key to turn the ceiling fan OFF.

For best fan operation: Allow the ceiling fan motor to start on High, then select the desired speed.

4. Manual Light Switch Operation:

To turn the lights ON without the transmitter, turn OFF the wall switch for 5 seconds, then turn the wall switch back ON. The light will turn ON at maximum brightness, and the fan will be OFF.

For everyday operation, leave the wall switch ON. However, if the control will not be used for an extended period of time (5 days or more), turn the wall switch OFF.

For more information on Hunter Fan products, visit our website: www.hunterfan.com

Troubleshooting

Symptom	Possible Causes	Solution
1. No functions operate.	Main Power not restored.	Replace fuse. Turn ON circuit breaker. Turn ON wall switch.
	Fan pull chain not set to High.	Turn OFF power at wall switch or main electric panel. Set fan to High speed.
	Light pull chain not set to ON.	Set light kit to ON.
	Receiver wiring incorrect.	Verify wiring connections.
	Transmitter and receiver dip switches do not match.	Set transmitter and receiver to same dip switch setting.
	Battery too weak.	Replace with new, alkaline battery.
2. Operates only at close range.	Cable or power lines in ceiling run over fan.	Re-orient any cables or wires.
	Battery too weak.	Replace with new, alkaline battery.
3. Inconsistent operation.	Signal partially blocked from reaching receiver.	Extend antenna into ceiling box, or move it for better reception.
	RF interference.	Turn OFF wall switch for 5 seconds, then turn back ON.
	Continuing RF interference.	Change dip switch settings to a different code in both Transmitter and Receiver.

HUNTER FAN COMPANY ORIGINAL* CONTROL LIMITED WARRANTY

The Hunter Fan Company makes the following limited warranty to the original purchaser of the Original* Control ("Control"): Your Control is warranted to be free from defects in material and workmanship for a period of one year from the date of sale. If the Control malfunctions or fails within the warranty period due to a defect in material or workmanship we will replace it free of charge. IF THE ORIGINAL PURCHASER CEASES TO OWN THE CONTROL, THIS WARRANTY AND ANY IMPLIED WARRANTY, INCLUDING BUT NOT LIMITED TO ANY IMPLIED WARRANTY OF MERCHANTABILITY OR FITNESS FOR A PARTICULAR PURPOSE, ARE VOIDED. THIS WARRANTY IS IN LIEU OF ALL OTHER EXPRESS WARRANTIES. THE DURATION OF ANY IMPLIED WARRANTY, INCLUDING, BUT NOT LIMITED TO, ANY IMPLIED WARRANTY OF MERCHANTABILITY OR FITNESS FOR A PARTICULAR PURPOSE, IN RESPECT TO ANY CONTROL, IS EXPRESSLY LIMITED TO THE PERIOD OF THE EXPRESS WARRANTY SET FORTH ABOVE FOR SUCH CONTROL. This warranty excludes malfunctions or failures which were caused by repairs by persons not authorized by us, mishandling, improper installation, modifications, or damage to the Control while in your possession, or unreasonable use. This warranty does not apply to batteries or to deterioration or damage to the product caused by the use of faulty batteries. To obtain a replacement, return your Control postage prepaid along with proof of purchase to Hunter Fan Company Service Department at 2500 Frisco Avenue, Memphis, Tennessee 38114. IN NO EVENT SHALL HUNTER FAN COMPANY BE LIABLE FOR CONSEQUENTIAL OR INCIDENTAL DAMAGES. SOME STATES DO NOT ALLOW LIMITATIONS ON HOW LONG AN IMPLIED WARRANTY LASTS OR THE EXCLUSION OR LIMITATIONS OF INCIDENTAL OR CONSEQUENTIAL DAMAGES SO THE ABOVE LIMITATIONS OR EXCLUSIONS MAY NOT APPLY TO YOU. THIS WARRANTY GIVES YOU SPECIFIC LEGAL RIGHTS AND YOU MAY ALSO HAVE OTHER RIGHTS WHICH VARY FROM STATE TO STATE.