



Hunter Fan Company Integrated Remote Control Instruction Supplement

Transmitter Model: 85095

Transmitter Battery: 12 V, Type 23A, MN-21 or equivalent

Receiver Model: 85069

Ratings: 120 VAC, 60 Hz, 1.0 Amp Fan

Receiver Weight: 8 oz.

240 Watts incandescent light

Read and Save these Instructions

Caution: Risk of Electrical Shock!

All wiring must be performed in accordance with national and local electrical codes. If you are unfamiliar with the wiring codes, you should use a qualified electrician.

To avoid overheating and possible damage to other equipment, do not install to control a receptacle, fluorescent light fixture, motor operated appliance, or transformer-supplied appliance. Use only to control one paddle-blade ceiling fan and incandescent light fixture.

This device complies with part 15 of the FCC rules. Changes or modifications not expressly approved by Hunter Fan Company could void your authority to operate this equipment!

Operation Is Subject To The Following Two Conditions:

1. This device may not cause harmful interference.
2. This device must accept any interference received, including interference that may cause undesired operation.

Note: Any changes or modifications to the transmitter or receiver not expressly approved by Hunter Fan Company may void one's authority to operate this remote control.

Your fan is equipped to be operated by remote control. A receiver device is mounted inside the fan switch housing. A hand-held transmitter is packed in the fan box. The transmitter requires a 12-volt battery (included). The operating range is 15-30 feet.

Setting The Code

When two or more fans are located near each other, you may desire to have each of them set to a different code, so that the operation of one fan will not affect another. This is accomplished by changing the position of any one or more of a group of 3 jumpers grouped together in the transmitter. The receiver located in the switch housing has the same set of 3 jumpers which must also be changed to match the transmitter settings.

These jumpers are very small and can best be operated by using a small pair of pliers or tweezers.

In the transmitter, the jumpers are readily accessible from the battery compartment. The switches in the receiver are located at the bottom of the receiver device in the switch housing. See Figures 1 and 2.

To set the jumpers in the receiver, remove the receiver from the switch housing and set the jumpers in the same positions as the jumpers in the transmitter. See Figure 2.

Replace the receiver, making sure the mounting holes at the top of the switch housing line up with the matching slots in the top of the receiver.

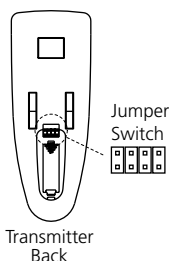


Figure 1 - Transmitter Jumper Switches

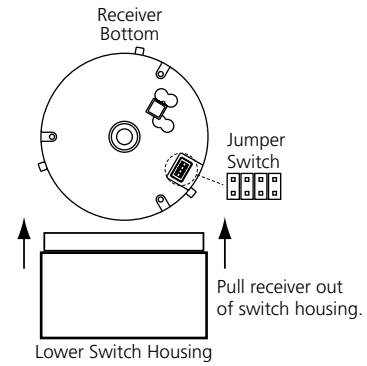


Figure 2 - Receiver Jumper Switches

Assembling The Switch Housing

Assemble the lower switch housing to the upper housing. See Figure 3.

First insert the plug from the upper housing into the plug receptacle in the receiver module.

NOTE: The plug is polarized and will only go together one way. Make sure you have correctly aligned plug and receptacle.

Next, line up the lower switch housing with the upper housing and assemble together with the (3) screws and lockwashers provided. See Figure 3.

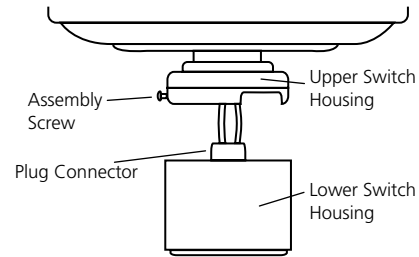


Figure 3 - Lower Switch Housing Assembly

If the two pieces are difficult to assemble, check the alignment of the (3) slots in the top of the receiver module and the mounting holes in the lower switch housing. They should align together.

Tighten the (3) assembly screws.

CAUTION: Make sure the screws are snug, otherwise the assembly could separate during operation.

Mounting the Remote Holder

A holder is supplied with the transmitter which can be mounted to an existing toggle switch wall plate. The holder will help prevent misplacement of your transmitter by providing a permanent receptacle. See Figure 4.

If desired, the holder can be mounted to a convenient location on a wall.

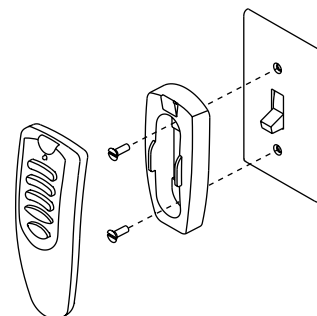


Figure 4 - Remote Holder Assembly

Operating The Remote Control

The hand-held transmitter has individual buttons for control of the light, for controlling the fan speeds, for turning the fan off, and for reversing. See Figure 5.

Pressing the "LIGHT" button will turn the light on to full brightness. Holding the button will cause the light to dim slowly—release the button at the desired brightness to hold the selected brightness level. Pushing the button again will turn the light off.

The fan may be started by pressing the HIGH, MEDIUM, or LOW speed buttons. For best operation, allow the fan to start on HIGH, then select the desired speed. Press the fan OFF button to turn the ceiling fan off. Press the REVERSE button to change the fan's direction while the fan is running.

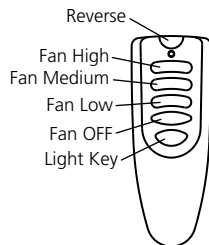


Figure 5 - Remote Operation

NOTE: Replace 12-volt battery with type 23 A, MN-21 or equivalent.

You have completed the installation of the integrated remote control. Refer back to the "Installing Light Fixture" section in the Installation / Owner's Manual provided with your Hunter fan for proper instructions.

Troubleshooting

Symptom	Possible Causes	Solution
1. No functions operate.	Main Power not restored.	Replace fuse. Turn ON circuit breaker. Turn ON wall switch.
	Transmitter and receiver jumper switches do not match.	Set transmitter and receiver to same jumper switch setting.
	Battery too weak.	Replace with new, alkaline battery.
2. Operates only at close range.	Battery too weak.	Replace with new, alkaline battery.
3. Inconsistent operation.	RF interference.	Turn OFF wall switch for 5 seconds, then turn back ON.
	Continuing RF interference.	Change jumper switch settings to a different code in both Transmitter and Receiver.
4. Fan will not reverse.	Fan is not running.	Select a fan speed button to start fan, then press the reverse button.