



## STEP 9 - REMOTE CONTROL

### SETTING UNIQUE DIP SWITCH NUMBERS

**IMPORTANT:** Before using this control, change the factory default DIP switch settings on the Remote and the Fan, to your own unique code. Refer to Figure 9a, 9b and 9c.

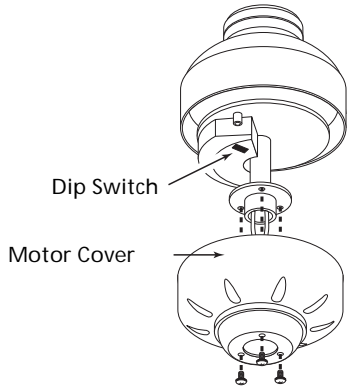


Figure 9a

**Note:** All fans leave the factory set to '01110'.

**Note:** If this is the second fan installed in the same area, one of the fans **MUST** have its channel changed from '01110' or interference will occur. Make sure that the dip switch settings in both the second remote and second fan are set to the same different numbers.

### CHECKING FAN SETTING

1. Remove the three motor cover screws and lift the motor cover off.
2. Through the view hole on top of the motor, locate the dip switch. Refer to Figure 9a.

3. Check that the dip switch in the fan and the remote are set to the same unique numbers.
4. Replace the cover and screws.

### SETTING UNIQUE DIP SWITCH NUMBERS

By changing the sliding switches on the fan and remote DIP switches, many combinations of unique numbers can be selected. Refer to Figure 9b. On = 0 and off = 1.

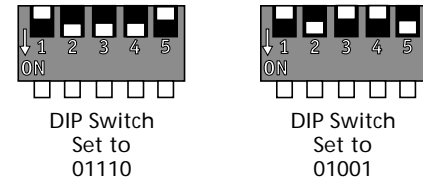


Figure 9b

## REMOTE SETUP

1. Slide the cover off the back of the remote as shown in Figure 9c, pressing in and sliding the cover down to release. Set the DIP switches in the Remote to match the DIP switches in the receiver.

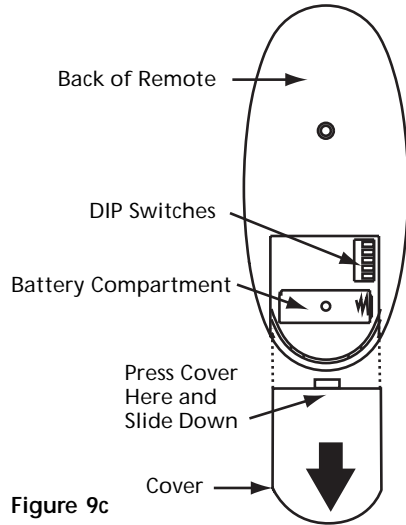


Figure 9c

See Figures 9a, 9b, and 9c. The battery must be removed when changing dip switch settings.

Install the included 12 volt alkaline battery (Type 23A, MN-21 or equivalent) inside the remote matching polarity on the Battery Compartment as indicated by the + and - symbols in the Battery Compartment. See Figure 9c.

## REMOTE CRADLE INSTALLATION

### STANDARD LIGHT SWITCH

1. Remove the two screws holding the switch cover plate. Do not remove the cover plate.
2. Orient the control cradle as shown in Figure 9d, and line up the two inner mounting holes with those on the switch, insert screws, don't over tighten.

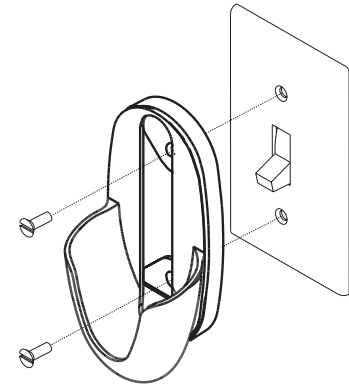


Figure 9d

### ROCKER LIGHT SWITCH

1. Break off the two tabs by pushing outward. See Figure 9e.
2. Remove the two screws holding the switch cover plate. Do not remove the cover plate.
3. Orient the remote cradle as shown in Figure 9e. Line up the two outer mounting holes with

*continued*



those on the switch, insert screws, don't over tighten.

## WALL INSTALLATION

1. Locate a 2x4 wall stud in a convenient location.
2. Orient the remote cradle as shown in Figure 9f, over the 2x4 stud.
3. Use the 1" wood screws in either the inner or outer mounting holes.

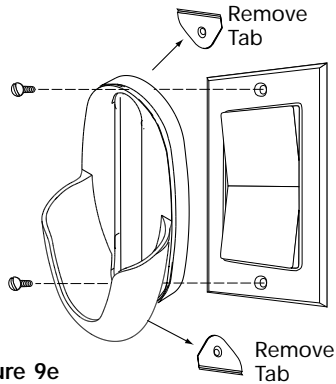


Figure 9e

**Note:** *Wall anchors and 6-32 x 1" screws may be used in situations where mounting to a stud is not possible. Use the inner mounting holes.*

## FAN CONTROL

Refer to Figure 9g for identification of control buttons.

To start the fan. Press the selected speed button to run the fan at the desired speed. See Figure 9g.

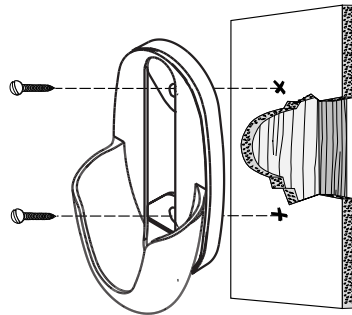


Figure 9f

## AIRFLOW DIRECTION

To reverse the airflow press the REVERSE button. Reverse operates at any speed whether fan is on or off. The fan returns to its set speed after reversing.

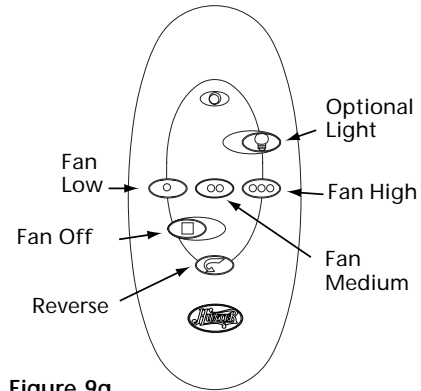


Figure 9g



## OPTIONAL LIGHT CONTROL

Turn the light on or off independently from the fan by pressing the LIGHT button. Keep pressing the button in excess of 1 second, it becomes a dimmer. The light varies from 'bright' to 'dim' over approximately 8 seconds. This sequence will reverse the light when it reaches the brightest or dimmest level if you continue to hold the LIGHT button. Release the button when the desired level is reached.

## AUTO RESUME

Quick (pressing less than 1 second) on/off operation of the LIGHT button maintains the desired brightness level set previously.

## FCC INFORMATION

1. This device complies with Part 15 of the FCC Rules. Operation is subject to the following two conditions: (1) This device may not cause harmful interference, and (2) this device must accept any interference received, including interference that may cause undesired operation.
2. This equipment has been tested and found to comply with the limits for a Class B digital device, pursuant to Part 15 of the FCC Rules.

These limits are designed to provide reasonable protection against harmful interference in a residential installation. This equipment generates, uses and can radiate radio frequency energy and, if not installed and used in accordance with the instructions, may cause harmful interference to radio communications. However, there is no guarantee that interference will not occur in a particular installation.

If this equipment does cause harmful interference to radio or television reception, which can be determined by turning the equipment

off and on, the user is encouraged to try to correct the interference by one or more of the following measures:

- Reorient or relocate the receiving antenna.
- Increase the separation between the equipment and receiver.
- Connect the equipment into an outlet on a circuit different from that to which the receiver is connected.
- Consult the dealer or an experienced radio/TV technician for help.

**Note:** Any changes or modifications to the transmitter or receiver not expressly approved by Hunter Fan Company may void one's authority to operate this remote control.

3. For use only with electrically reversible ceiling fans rated at 1.0 amp or less, and fan incandescent light kits rated at 300 watts or less.
4. Not for use with shaded-pole or nonreversible motors. Not recommended for use with the Hunter Original®.