

### INTRODUCTION

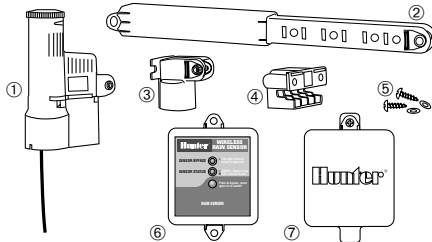
The Wireless Rain-Clik™ acts as a switch to break the circuit to the solenoid valves of the irrigation system when it has rained. This allows the timer to advance as scheduled, but keeps the valves from opening the water flow. Once the Wireless Rain-Clik has dried sufficiently, the switch closes again to allow for normal operation.

The Wireless Rain/Freeze-Clik® includes a freeze sensor that is designed to keep the system from operating at, or below 3°C (37°F). At temperatures above 3°C, it will close the circuit for normal sprinkler operation.

### CONTENTS

Included with the Wireless Rain-Clik are the following items:

1. Sensor body with Transmitter
2. Telescoping extension arm
3. Wall mount / Conduit adapter
4. Gutter clip
5. Mounting Hardware
6. Receiver
7. Cover for Receiver



### MOUNTING

#### Standard Mount:

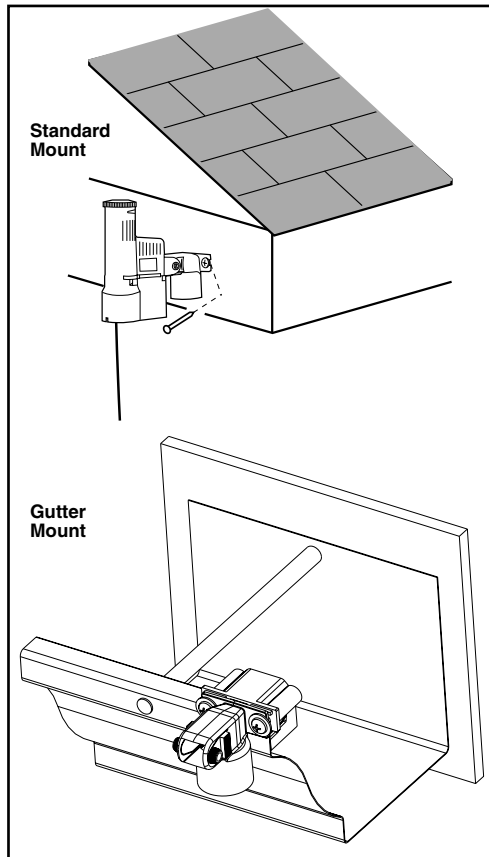
Using the screws provided, mount the Wireless Rain-Clik transmitter on any surface where it will be exposed to unobstructed rainfall, but not in the path of sprinkler spray. The switch-housing portion must be upright (as pictured), but the swivel-bracket can be moved for mounting on any angled surface.

#### Gutter Mount:

Clip the enclosed gutter mounting bracket over the inside lip of the gutter. Attach the Wireless Rain-Clik to the gutter mounting bracket with the screws provided.

#### Helpful Hints for Mounting:

- Choose a location such as on the side of a building or post, the closer the Wireless Rain-Clik is to the controller, the better reception will be. DO NOT EXCEED 300 feet.
- Correct placement of the Wireless Rain/Freeze-Clik is important for accurate temperature sensing. The best location for mounting would be out of direct sunlight.
- As described in the "Operation" section of this manual, "reset rate" refers to the amount of time it takes the Wireless Rain-Clik to dry out sufficiently for the sprinkler system to be allowed to come back on.



Mounting the Wireless Rain-Clik on a very sunny, southern end of a building may cause the Wireless Rain-Clik to dry out sooner than desired. Similarly, mounting on the northern end of a building with constant shade may keep the Wireless Rain-Clik from drying soon enough.

#### Transmitters/Sensor

- Nothing to set up with this unit after installation
- The unit can be tested stand-alone as follows: press and hold the post on the quick response section. Within 3 seconds of pressing and holding this post down, the LED protruding from the potting should blink once. Release

the post, within 3 seconds the LED should blink once again. (Figure 1)

#### Receiver

- Using the hardware included, mount the receiver to the wall (use included wall anchors if needed). Make sure to put the rubber cover/gasket under the unit when attaching it in an outdoor location.

Manually depress the spindle at the top of the Wireless Rain-Clik

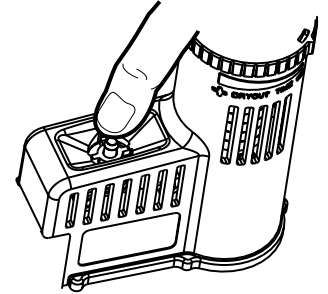


Figure 1

### WIRING TO YOUR IRRIGATION SYSTEM

**WARNING!** This unit is designed to be installed in conjunction with 24VAC circuits only. Do not use with 110 or 220VAC circuits.

#### Receiver Installation, SRC Controller: (See Figure 2)

1. Attach the two yellow wires to the AC terminals of the SRC (polarity does not matter).
2. Attach the blue wire to the RS terminal.
3. Attach the white wire to the "C" terminal.
4. Attach the valve common wire to the RS terminal.

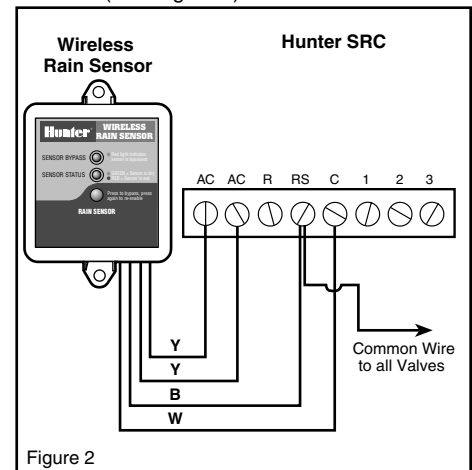


Figure 2

#### Receiver Installation, Pro-C and ICC Controllers: (See Figure 3)

1. Attach the two yellow wires to the AC terminals of the controller (polarity does not matter).
2. Attach the blue wire to one SEN terminal and the white wire to the other SEN terminal of the controller.

#### Receiver Installation, Other Controllers:

##### A. Normally Closed Sensor Applications (See Figure 4)

1. Attach the two yellow wires to the AC terminals of the controllers (polarity does not matter).
2. To attach the receiver to this type of controller, attach the blue wire and the white wire to the sensor terminals of the controller, or in-line with the valve common.

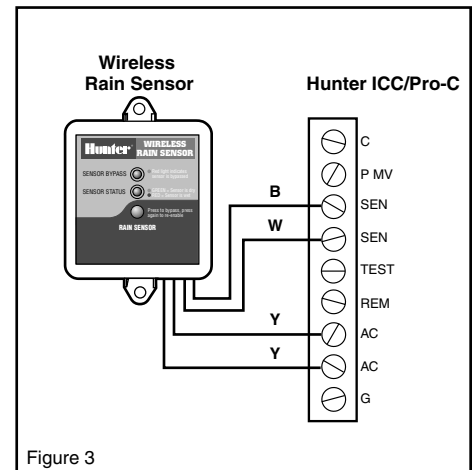


Figure 3

##### B. Normally Open Sensor Applications

1. A few controllers on the market require a normally open rain sensor. To attach the receiver to this type of controller, attach the blue wire and the orange wire to the controller's sensor input.

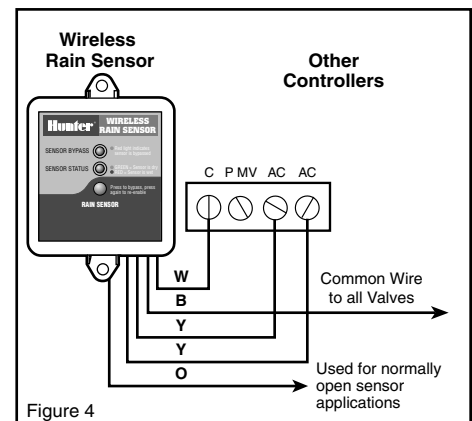


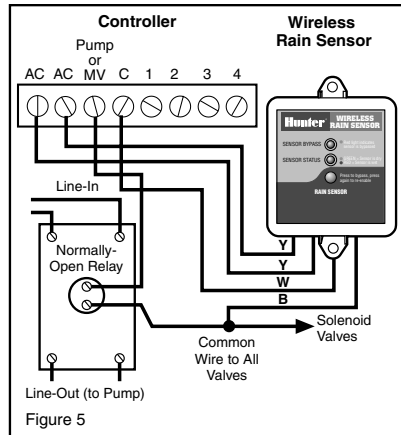
Figure 4

### Receiver Installation, Other Controllers (continued):

#### C. 24 Volt Solenoid Valves with Booster Pump (See Figure 5)

Locate the common wire to the solenoid valves and the common wire leading to the coil of the relay that starts the pump. If these two wires are connected to the “common” terminal on the controller, disconnect both of them.

Twist together these two wires along with one wire from the Rain-Clik™, and secure with a wire nut. Attach the other wire of the Wireless Rain-Clik™ receiver to the “common” terminal on the controller. Note: The pump circuit output must be 24 Volts in this situation. Do not proceed if 110V.



### SETTING THE TRANSMITTER ADDRESS AT THE RECEIVER

Units purchased as a kit will already have their address learned.

No addressing is necessary, however if the receiver or transmitter is replaced, you need to reset the address.

Each transmitter produced has a unique address hard-coded into it. A receiver must learn this address to work with that transmitter. This step will only be necessary if transmitters and receivers are purchased separately.

1. Prior to applying power (yellow wires) to the receiver, press and hold the receiver's pushbutton.
2. While the pushbutton is being held apply power to the receiver – the receiver's “sensor status” LED should light up yellow indicating the receiver is ready to learn an address.
3. Push and hold the quick response post on the transmitter/sensor.
4. Within 4 seconds, the receiver's “sensor status” LED should turn red.
5. Release the transmitter/sensor's quick response post and within 4 seconds the LED on the receiver should turn green. The address is now learned and will be retained even in the event of a power outage.

### OPERATION

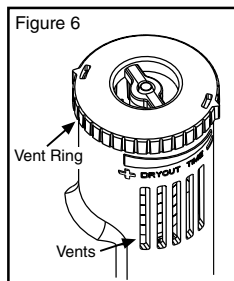
The receiver has two LEDs, which indicate the state of the system. The STATUS LED will be RED when the sensor is wet (watering disabled), and GREEN when the sensor is dry (watering enabled). There is also a RED BYPASS LED on the receiver. If this LED is lit, the rain sensor is bypassed and watering will always be allowed. Even though the sensor is bypassed, the STATUS LED will continue to alert you of the state of the sensor (Wet or Dry).

### ADJUSTMENTS AND OPERATION

The Wireless Rain-Clik can keep the irrigation system from starting or continuing after rainfall.

The time that it takes the Wireless Rain-Clik to reset for normal sprinkler operation after the rain has stopped is determined by weather conditions (wind, sunlight, humidity, etc.). These conditions will determine how fast the hydroscopic discs dry out, and since the turf is also experiencing the same conditions, their respective drying rates will roughly parallel each other. So when the turf needs more water, the Rain-Clik is already reset to allow the sprinkler system to go at the next scheduled cycle.

There is an adjustment capability on the Wireless Rain-Clik that will slow down the reset rate. By closing the “vent” (see Figure 6) to completely or partially cover the ventilation slots, the hydroscopic discs will dry more slowly. This adjustment can compensate for an “overly sunny” installation location, or peculiar soil conditions. Experience will best determine the ideal vent setting.



### BYPASSING THE SENSOR

The sensor may be bypassed by using the built in bypass feature in the SRC, Pro-C or ICC. On other controllers the sensor may be bypassed by pressing the “BYPASS” button on the receiver. The RED BYPASS LED on the receiver will be lit when the sensor is bypassed. Pressing the “BYPASS” button again will cause the RED BYPASS LED to go back out thus re-enabling the sensor.

**Battery Life:** The Wireless Rain-Clik transmitter is designed to work daily for up to ten years with the original battery. The sealed unit is available as a replacement part. Should you need to change the transmitter the receiver will have to learn the new transmitter address.

There is no required maintenance for the unit. The Wireless Rain-Clik does not have to be removed or covered for “winterizing” purposes.

### TROUBLESHOOTING

Follow these simple checks first before assuming the unit is bad and replacing it.

**System will not come on at all:**

- A. First, check to see that the Wireless Rain-Clik discs are dry and the switch “clicks” on and off freely by pressing the top of the spindle.
- B. Next, look for breaks in the wire leading to the Wireless Rain-Clik receiver and check all wire junctions.

**System will not shut off even after heavy rainfall:**

- A. Check wiring for correctness (see “Operation Check to Verify Correct Wiring”).
- B. Is the rainfall actually hitting the Wireless Rain-Clik? Check for obstructions to rainfall such as overhangs, trees or walls.

Manufactured under U.S. Patent 6,570,109 B2

All Rain-Clik models are listed by Underwriters Laboratories, Inc. (UL). Samples of these devices have been evaluated by UL and meet the applicable UL standards for safety.

### FCC Compliance Notice

This notice applies only to models WRC-TR and WRFC-TR

This device complies with FCC rules Part 15. Operation is subject to the following two conditions:

- 1) This device may not cause harmful interference and
- 2) This device must accept any interference that may be received, including interference that may cause undesired operation

Transmitter FCC ID: M3JUWSSTX

This equipment has been tested and found to comply with the limits for a class B digital device, pursuant to part 15 of the FCC Rules. These limits are designed to provide reasonable protection against harmful interference in a residential installation. This equipment generated, uses and can radiate radio frequency energy and if not installed and used in accordance with the instructions, may cause harmful interference to radio communications. However, there is no guarantee that interference will not occur in a particular installation. If this equipment does cause harmful interference to radio or television reception, which can be determined by turning the equipment off and on, the user is encouraged to try to correct the interference by one or more of the following measures:

- Reorient or relocate the receiving antenna
- Increase the separation between the equipment and receiver
- Connect the equipment into an outlet on a circuit different from that to which the receiver is connected
- Consult the dealer or an experienced radio/TV technician for help

### Industry of Canada Notice

This notice applies only to models WRC-TR and WRFC-TR

IC: 277A-14198

**WRC-R:** This Class B digital apparatus complies with Canadian ICES-003.

The term “IC:” before the certification/registration number only signifies that the Industry of Canada technical specifications were met.

Operation is subject to the following two conditions: (1) this device may not cause interference, and (2) this device must accept any interference, including interference that may cause undesired operation of the device.

CE Notice: this notice applies only to models WRC-INT.

<b>CE</b>				<b>Important Notice:</b> Low power RF product operating in 433.92MHz band for indoor or outdoor home and commercial use.
AUS	B	DK	FIN	
F	D	GR	IRE	
I	LUX	NL	P	
E	S	UK		

Member states in the EU with restrictive use for this product are crossed out.