

Hustler M1

Owner's Manual



HUSTLER



Hustler Turf Equipment



P.O. Box 7000



Hesston, Kansas



67062-2097

Table of Contents

General Information	1-1
One Year Limited Warranty	2-1
Safety Precautions.	3-1
Operation.	4-1
Maintenance & Adjustments	5-1
Troubleshooting	5-6
Storage	5-7
Parts Manual	6-1

GENERAL INFORMATION

This manual applies to the following Hustler equipment lines:

M-1 WalkBehind

To the new owner

The purpose of this manual is to assist owners and operators in maintaining and operating the M-1 WalkBehind mower. Please read it carefully; information and instructions furnished can help you achieve years of dependable performance.

A separate Engine Owner's Manual is included with your owner's packet which contains additional engine information that will not be repeated in this manual. You are urged to read it before attempting any operation or repair of the engine.

It is the **owner's responsibility** to make certain that the operators and mechanics read and understand this manual and all decals before operating this machine. It is also the **owner's responsibility** to make certain that the operators and mechanics are qualified and physically able individuals, properly trained in the operation of this equipment. All operators and mechanics must become familiar with the safe operation of the equipment, operator controls and safety signs.

Never let children or untrained people operate or service the equipment. Local regulations may restrict the age of the operator.

The owner/user can prevent and is responsible for accidents or injuries occurring to themselves, other people or property.

Using this manual

General operation, adjustment and maintenance guidance is outlined for both the experienced and novice Hustler user. Operating conditions vary considerably and cannot all be addressed individually. Through experience, however, operators should find no difficulty in developing good operating skills suitable to most conditions.

Directions used in this manual, for example RIGHT or LEFT, refer to directions when standing behind the mower facing forward, unless otherwise stated.

Photographs and illustrations used were current at the time of printing, but subsequent production changes may cause your machine to vary slightly in detail. Hustler Turf Equipment

reserves the right to redesign and change the machine as deemed necessary, without notification. If a change has been made to your machine which is not reflected in this owner's manual or the parts list section of this manual, see your Hustler dealer for current information and parts.

Warranty registration

The Delivery and Warranty Registration form must be completed and signed to validate your warranty protection. As the new equipment owner, you are expected to see that the form is completed and forwarded to Hustler Turf Equipment at time of delivery.

Be sure to register this mower with Hustler Turf Equipment.

IMPORTANT: Any unauthorized modification, alteration, or use of non-approved attachments voids the warranty and releases Hustler Turf Equipment from any liability arising from subsequent use of this equipment.

IMPORTANT: Contact Hustler Turf Equipment for proper operation and installation of accessories. Only use accessories approved by Hustler Turf Equipment.

Model and serial number

Mower model and serial numbers are found on the serial identification plate, located on the top right rear of the mower housing.

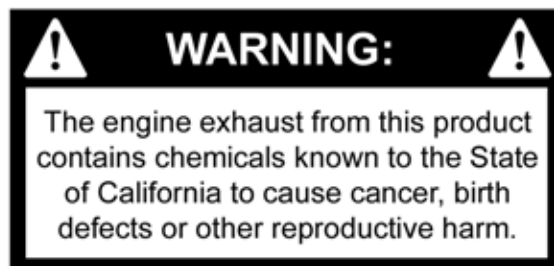
These numbers are required on the Warranty Registration form. They will also assure you of the correct service parts when replacement becomes necessary.

Parts and service

Use original Hustler replacement parts only. These parts are available through your local Hustler dealer. To obtain prompt, efficient service, always provide the following information when ordering parts:

1. Correct part description.
2. Correct model number.
3. Correct serial number.

All warranty repair and service must be handled through an authorized Hustler dealer. Arrangements should be made through your local service center.



NOTICE OF REQUIREMENT OF SPARK ARRESTER MUFFLER

This equipment may create sparks that can start fires around dry vegetation. California Public Resources Code Section 4442.6 provides that it is unlawful to use or operate an internal combustion engine on any forest-covered, brush-covered, or grass-covered land unless the engine is equipped with a spark arrester maintained in effective working order. A spark arrester is a device constructed of nonflammable materials specifically for the purpose of removing and retaining carbon and other flammable particles over 0.0232 of an inch in size from the exhaust flow of an internal combustion engine that uses hydrocarbon fuels or which is qualified and rated by the United States Forest Service. Other states or federal areas may have similar laws. The Operator Should Contact Local Fire Agencies For Laws or Regulations Relating to Fire Prevention Requirements. THIS EQUIPMENT DOES NOT HAVE A SPARK ARRESTER AND YOU SHOULD CONTACT YOUR AUTHORIZED DEALER FOR THE PURCHASE OF A SPARK ARRESTER.

Inspect spark arrester daily; replace every 500 hours or as needed.

The Engine Owner's Manual provides information regarding the U.S. Environmental Protection Agency (EPA) and the California Emission Control Regulation of emission systems, maintenance and warranty.

Keep Engine Owner's Manual with your unit. Should the Engine Owner's Manual become damaged or illegible, replace immediately. Replacements may be ordered per the information found in the Product Information section of the owner's manual.

HUSTLER M-1 (21") WALK BEHIND MOWER

HUSTLER TURF COMMERCIAL PRODUCT

ONE YEAR LIMITED WARRANTY

WHAT IS COVERED BY THIS WARRANTY

Hustler Turf Equipment, makes the following warranty to the original purchaser only:

- a. **Hustler Turf Equipment M-1 WalkBehind units** are warranted for **one (1) year from date of delivery** on all materials and workmanship.

If the Purchaser discovers within this warranty period a defect in materials or workmanship:

- He must promptly notify Hustler Turf Equipment, or an authorized dealer, in writing of the defect. In no event shall such notification be received by Hustler Turf Equipment, or an authorized dealer later than thirteen (13) months from date of delivery.
- Within a reasonable time after such notification, Hustler Turf Equipment, will correct any defect in material or workmanship on the Hustler Turf Equipment, by repairing or replacing part(s) with either new or used replacement parts.
- Such repair, including parts and labor shall be at the expense of Hustler Turf Equipment, and,

- b. **Rental Units (90 days):** Within 90 days of date of delivery Hustler Turf Equipment, provides a limited warranty on all materials and workmanship for units used for rental purposes.

- If the Purchaser discovers within this warranty period a defect in materials or workmanship:
- He must promptly notify Hustler Turf Equipment, or an authorized dealer, in writing of the defect. In no event shall such notification be received by Hustler Turf Equipment, or an authorized dealer later than 120 days from date of delivery.
- Within a reasonable time after such notification, Hustler Turf Equipment, will correct any defect in material or workmanship on the Hustler Turf Equipment, by repairing or replacing part(s) with either new or used replacement parts.
- Such repair, including parts and labor shall be at the expense of Hustler Turf Equipment, and

- c. **The Honda engine** is covered by a two (2) year limited warranty, by the engine manufacturer, to the original owner (commercial or residential) only, and,

WHO MUST PERFORM THE WARRANTY SERVICE

All warranty service will be performed by dealers authorized by Hustler Turf Equipment. **Service calls and/or transportation expense** of the product to and from the authorized dealer, for warranty work, will be paid by the owner of the product. For warranty service you can contact an authorized dealer or write Hustler Turf Equipment, 200 South Ridge Road, Hesston, Kansas 67062, or call 1-620-327-4911.

WHAT IS NOT COVERED BY THIS WARRANTY

Hustler Turf Equipment, does not warranty:

- Some product, components or parts not manufactured by Hustler Turf Equipment

- Repairs made by unauthorized persons
- Damage caused by use of the Hustler Turf Equipment for purposes other than those for which it was designed
- Damages caused by disasters such as fire, flood, wind, and lightning
- Damages caused by neglect, abuse, abnormal use, improper or unreasonable use, accident, negligence or misuse
- Repairs or replacement resulting from the use of unauthorized parts, accessories or attachments
- Repairs or replacement as the result if any alterations or modifications, in the determination of Hustler Turf Equipment, which adversely affects the operation, performance or durability of the equipment.
- Hustler Turf Equipment which has the serial number removed or made illegible
- Depreciation or damage caused by normal wear, lack of reasonable and proper maintenance, failure to follow the product's owner's manual operating, maintenance and adjustment instructions or other operational instructions provided by Hustler Turf Equipment.
- Normal maintenance parts and service including, but not limited to, filters, fuel, lubricants, tune-up parts, blades, blade sharpening, bearings, brake or throttle adjustments.
- Repairs necessary due to improper fuel, contaminants in the fuel system, or failure to properly prepare the fuel system prior to any period of non-use over three months.

DISCLAIMER OF WARRANTY

The foregoing warranties are in lieu of all other warranties, expressed or implied, including but not limited to the implied warranties of merchantability and fitness for a particular purpose. However, if the Hustler Turf Equipment is purchased as a consumer product, any implied warranty of merchantability or fitness for a particular purpose is limited to the duration of this limited warranty. Some states do not allow limitations on how long an implied warranty lasts, so the above limitation may not apply to you. This warranty gives you specific legal rights, and you may also have other rights which vary from state to state.

LIMITATION OF REMEDIES

In no case shall Hustler Turf Equipment, be liable for any special, incidental, or consequential damages based upon breach of warranty, breach of contract, negligence, strict liability in tort, or any other legal theory.

Such damages include, but are not limited to:

- Loss of profits
- Loss of savings or revenue

- Loss of use of Hustler Turf Equipment or any associated equipment
- Cost of capital
- Cost of any substitute equipment, facilities, services or downtime
- The claims of third parties including customers, and injury to property

Some states do not allow the exclusion or limitation of incidental or consequential damages, so the above limitation or exclusion may not apply to you.

TIME LIMIT

Any action for breach of warranty must be commenced within thirteen (13) months following delivery of the goods.

NO OTHER WARRANTIES

Unless modified in writing, signed by both parties, and approved by the President of Hustler Turf Equipment, this agreement is understood to be the complete and exclusive agreement between the parties, superseding all prior agreements, oral or written, and all other communications between the parties relating to the subject matter of this agreement. No employee of Hustler Turf Equipment, or any other party is authorized to make any warranty in addition to those made in this agreement.

ALLOCATION OF RISKS

This agreement allocates the risks of product failure between Hustler Turf Equipment, and the purchaser. This allocation is

recognized by both parties and is reflected in the price of the goods.

OWNER'S RESPONSIBILITY

You must maintain your Hustler Turf Consumer Product following the maintenance procedures described in your owner's manual. Such routine maintenance, whether performed by a dealer or by you, is at your expense.

This machine like any other powered equipment is potentially dangerous unless properly operated. Any operator **must** be cautious and keep safety in mind at all times. Any operator, prior to using the Hustler Turf Equipment, should thoroughly familiarize himself with the owner's manual regarding operation and safety of the machine, as well as all safety warnings on the machine itself.

WARRANTY REGISTRATION

1. Register the unit on-line at www.Hustlerdealer.com or by filling out the Warranty registration form, provided in the owner's packet. If using the Warranty registration form it **MUST** be completed and signed by the authorized dealer and original purchaser.
2. For validation, the completed Warranty registration form **MUST** be forwarded to Hustler Turf Equipment, within ten (10) days following date of purchase.
3. The date of purchase constitutes delivery.

SAFETY PRECAUTIONS



This safety alert symbol is used to call attention to a message intended to provide a reasonable degree of PERSONAL SAFETY for operators and other persons during the normal operation and servicing of this equipment.

DANGER – denotes immediate hazards which WILL result in severe personal injury or death.

WARNING – denotes a hazard or unsafe practice which COULD result in severe personal injury or death.

This manual uses two other words to highlight information. **IMPORTANT** calls attention to special mechanical information and **NOTE:** emphasizes general information worthy of special attention.

All operators and mechanics should read this manual, and be instructed about safe operating and maintenance procedures. If the operators or mechanics cannot read and understand English, it is the owner's responsibility to explain this material to them.

This machine meets or exceeds the CPSC 16 CFR PART 1205 Subpart A in effect at the time of production. However, improper use or maintenance by the operator or owner can result in injury. To reduce the potential for injury, comply with these safety instructions and always pay attention to the safety alert ▲ symbol, which means DANGER or WARNING - "personal safety instructions." Failure to comply with the instructions may result in

personal injury or death.

Incorrect usage of this machine may result in severe injury. Personnel operating and maintaining it should be trained in the proper use and should read the manuals completely and thoroughly before attempting to set-up, operate, adjust, or service this machine.

It is the **owner's responsibility** to make certain that the operators and mechanics read and understand this manual and all decals before operating this machine. It is also the **owner's responsibility** to make certain that the operators and mechanics are qualified and physically able individuals, properly trained in the operation of this equipment. All operators and mechanics must become familiar with the safe operation of the equipment, operator controls and safety signs.

Never let children or untrained people operate or service the equipment. Local regulations may restrict the age of the operator.

The owner/user can prevent and is responsible accidents or injuries occurring to themselves, other people or property.

The owner should also ensure that the operator/mechanic know that they are responsible for their own safety as well as the safety of other persons within the vicinity. **Remember**, the operator is responsible for accidents or hazards occurring to other people or their property.

Safety and Instruction Decals

▲ Specific safety warning decals are located on the equipment near the immediate areas of potential hazards. These decals should not be removed or obliterated. Replace the decals if they become non-readable.

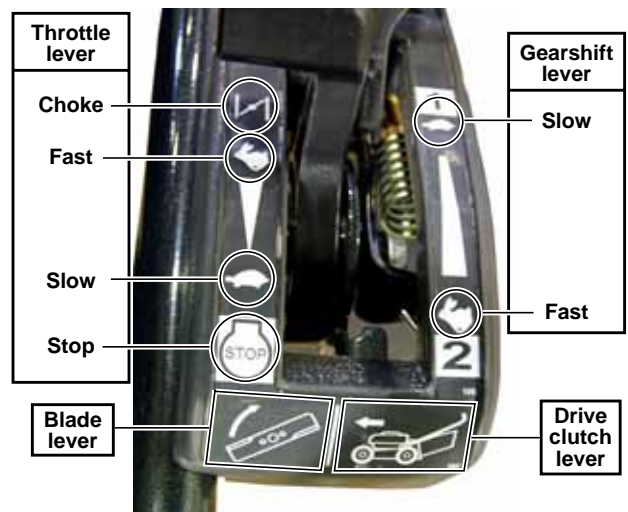
The following illustrations show the various **decals** that are located on the machine. A brief explanation is shown to help the operator understand the meanings of these decals.



- Read Owner's Manual and Quick Reference Decal before attempting to operate this machine.



- Whirling blades! Keep hands and feet away.





WARNING:
Fire!

Read owner's manual before operating

- Do not smoke while refueling.
- Do not remove the fuel tank cap or fill with engine running or while the engine is hot.
- Allow engine to cool before storing machine inside a building.
- Store away from open flame or spark if there is fuel in tank.
- Clean up any gasoline spills.

WARNING:
Carbon monoxide poisoning

- Never run the engine in an enclosed area unless exhaust is vented to the outside. Exhaust gases contain carbon monoxide which is an odorless and deadly poison.

WARNING:
Thrown objects!

DANGER:
Rotating blades!



- Always maintain a safe distance from people and pets when mowing.
- Always stop machine if someone enters the area.

- Keep shields and covers in place while machine is in operation
- Keep hands, feet and clothing away from rotating blades.

- Read Operator's Manual before attempting to operate this machine. Read Operator's Manual before attempting to service this manual.

- Wear ear protection, eye protection and safety shoes when operating this equipment.

- Disconnect spark plug before servicing



WARNING:
Thrown objects!

WARNING!
Operation of this equipment may create sparks that can start fires around dry vegetation. A spark arrestor may be required. The operator should contact local fire agencies for laws or regulations relating to fire prevention requirements.

- Never operate the mower deck with guard altered, removed or in raised position, except when the entire grass catcher attachment or mulching system being used.

- Always maintain a safe distance from people and pets when mowing.
- Always stop machine if someone enters the area.

- Inspect area to be mowed for hazards such as rocks, metal objects and other debris which may be thrown or entangled by mower blades. Remove these objects before mowing.

WARNING:
Falling!

- Go across slopes, not up and down

- Before and while backing, look behind and down for small children and obstacles.

OPERATION

Safe Operating Practices

This product is capable of amputating hands and feet and throwing objects. Always follow all safety instructions to avoid serious injury or death.

Operation Precautions

- ▲ Never leave a running machine unattended. Always stop on level ground, release blade lever and drive clutch lever and set the throttle lever to the “STOP” position before leaving machine for any reason including emptying the catcher or unclogging the discharge chute.
- ▲ Always keep safety shields and covers in place, except for servicing.
- ▲ Do not block the muffler outlet.
- ▲ Always maintain a safe distance from people and pets when mowing. Always stop machine and disengage the blade if someone enters the area.
- ▲ Always operate machine in daylight or with adequate working lights.
- ▲ Follow daily and weekly checklists, making sure blade is tightly secured and bolts are tightened.
- ▲ Always observe traffic laws while driving machine from one location to another. Watch for traffic when operating near or crossing roadways.
- ▲ Always keep engine and machine clean, removing accumulated dirt, trash and other material from machine. Clean up oil or fuel spillage. Allow machine to cool before storing.
- ▲ Inspect area to be mowed for hazards such as rocks, metal objects and other debris which may be thrown or entangled by mower blades. Remove these objects before mowing. Stay behind the handle when the engine is running.
- ▲ Always be alert for hazards such as rocks, metal objects and other debris which may be thrown or entangled by mower blades. Watch out for holes or deep depressions.
- ▲ Always wear adequate ear protection, such as earplugs, when operating this equipment as prolonged exposure to uncomfortable or loud noises can cause impairment or loss of hearing. Do not wear radios or music headphones while operating the machinery. Safe operation requires your full attention.
- ▲ Do not operate the equipment while wearing sandals, tennis shoes, sneakers, shorts or any type of loose fitting clothing. Long hair, loose clothing or jewelry may get tangled in moving parts. Always wear long pants, safety glasses, ear protection and safety shoes when operating this machine.
- ▲ Always inspect machine for damage after striking a foreign object. If damage is found, repair machine immediately. Be sure to stop on level ground, release blade lever and drive clutch lever and set the throttle lever to the “STOP” position when leaving operator’s position to inspect damage. Disconnect the spark plug wire before checking the blades, being careful to not touch the hot engine or muffler.
- ▲ Do not pull machine backward unless absolutely necessary. Always look down and behind before and while moving backward. Always be aware of what is behind the machine before backing up.
- ▲ Never operate a poorly maintained machine.
- ▲ Never allow persons to operate this machine without proper instruction or allow children to operate machine. Allow only responsible adults who are familiar with these instructions to operate this machine.
- ▲ Never put hands or feet under any part of the machine while it is running. Keep clear of the discharge opening at all times.
- ▲ Stop the engine before changing the cutting height.
- ▲ Never direct discharge of material from mower deck towards bystanders. Do not operate the mower without either the entire mulching system (spacer, stand/stopper and plug) or the entire grass collection system in place.
- ▲ Always disengage the blades and wait for them to stop before crossing gravel drives, walks or roads.
- ▲ Always keep clear of the mower blades and attachments during their operation.
- ▲ Turn off blades when not mowing.
- ▲ Slow down before turning.
- ▲ Stop the engine before removing the grass catcher or unclogging the discharge chute. Never clear the discharge chute with the engine running. Turn off the engine and be sure the blades have stopped before cleaning. Disconnect the spark plug wire before cleaning, being careful to not touch the hot engine or muffler. Use a stick to clear a plugged discharge area. **Never use your hand!**
- ▲ Do not operate the machine while under the influence of alcohol or drugs.
- ▲ Never operate the mower in wet grass as you may slip and fall. Always be sure of your footing; walk; never run.
- ▲ Never lift the machine while the engine is running.
- ▲ Exercise caution when loading or unloading the machine onto a trailer or truck. Use two people to lift unit.
- ▲ Always wear safety goggles or safety glasses with side shields when operating the mower.
- ▲ Data indicates that operators, age 60 years and above, are involved in a large percentage of mower-related injuries. These operators should evaluate their ability to operate the mower safely enough to protect themselves and others from serious injury.
- ▲ Never make sudden starts, stops, turns, or reverse direction, especially when maneuvering on slopes.
- ▲ **Clean flammable material from machine. Prevent fires by keeping the mower clean of accumulated trash, grass clippings and other debris. Always clean up spilled fuel and oil.**

Slope Operation

Slopes are a major factor in slip and fall accidents, which can result in severe injury or death. All slopes require extra caution. If you feel uneasy on a slope; do not mow it.

- ▲ Use extreme caution when operating on slopes.
 - Be extremely careful changing directions on a slope. Slow down.
 - Do not operate where the machine could slip or tip.
- ▲ Always be sure of your footing. Keep a firm hold on the handle and walk—never run.
- ▲ Watch for holes, ruts or bumps. Uneven terrain could overturn the machine. Tall grass can hide obstacles.
- ▲ Remove obstacles such as rocks, tree limbs, etc.
- ▲ Keep all movement on slopes slow and gradual. Do not make sudden changes in speed or direction.
- ▲ Avoid starting and stopping on a slope. If wheels lose traction, disengage the blade and, using extreme caution, proceed slowly off the slope.
- ▲ Do not mow near drop-offs, ditches, or embankments. The machine could suddenly turn over if a wheel goes over the edge of a cliff or ditch, or if an edge caves in. You could lose your footing or balance.
- ▲ Do not mow on wet grass. Reduced traction could cause sliding.
- ▲ Terrain conditions can affect traction resulting in possible loss of control of the machine. Some of the conditions to be aware of are:
 1. Wet terrain
 2. Depressions in the ground; i.e. holes, ruts, washouts
 3. Mounds of dirt
 4. Soil type; i.e. sand, loose dirt, gravel, clay
 5. Grass type, density, and height
 6. Extremely dry conditions of grass

Another consideration to safe mowing on slopes is to be aware of what is located at the bottom of the slope. Extreme caution should be used when there is a hazard located at the bottom of the slope. Some examples are:

1. Water; i.e. lake, river
2. Cliffs, retaining walls
3. Roads, highways
4. Buildings
5. Rocks

These are just a few examples of situations when caution must be used when operating on a slope. There are many other possibilities too numerous to mention. Just remember to always exercise extreme caution when operating on any slope.

Children

Tragic accidents can occur if the operator is not alert to the presence of children. Children are often attracted to the machine and the mowing activity. Never assume that children will remain where you last saw them.

- ▲ Never leave machine unattended with children present.
- ▲ Children or bystanders may be injured if they move or attempt to operate the mower while it is unattended. Always release blade lever and drive clutch lever and set the throttle lever to the “STOP” position before leaving machine for any reason.
- ▲ Keep children out of the mowing area and under the watchful care of a responsible adult other than the operator.
- ▲ Be alert and turn the machine off if children enter the area.
- ▲ Before and while backing, look behind and down for small children.
- ▲ Never carry children, even with the blade off. They may fall off and be seriously injured or interfere with safe machine operation.
- ▲ Never allow children to operate the machine.
- ▲ Use care when approaching blind corners, shrubs, trees, the end of a fence or other objects that may obscure vision or block your view of a child.

Assembly

NOTE: This mower is to be set up in one of two modes, either catcher mode or mulching mode.

A. Parts List

Listed below are parts included in shipping carton. If any parts are missing or damaged, please contact Hustler Parts Department

1. Remove the mower from shipping carton and verify that all the accessories not attached to the mower are accounted for as shown on parts list. Fig. 4-1

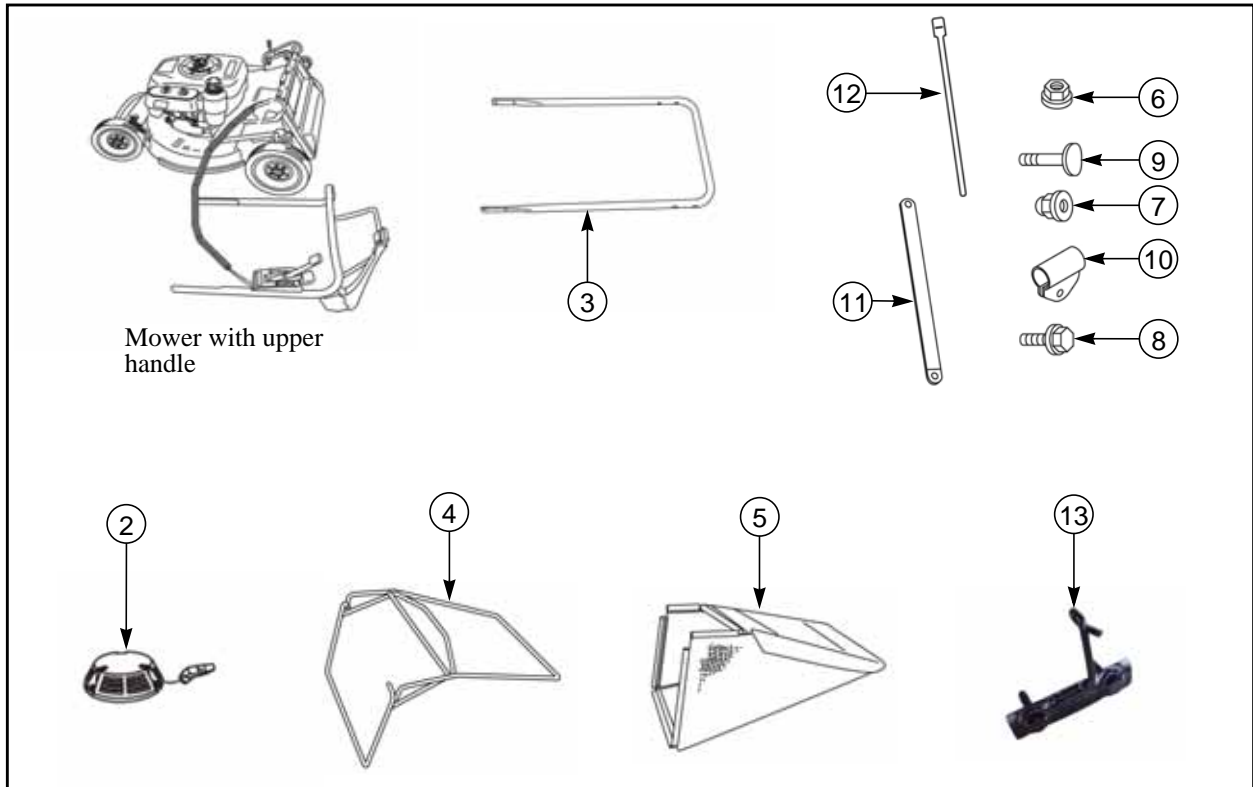


Fig. 4-1

Item	P/N	Description	Qty
1	929208	Mower	1
2	N/A	Recoil starter (supplied with engine)	1
3	51027-268-103	Lower handle	1
4	11062-178	Frame	1
5	36098-155	Grass bag	1
6	569L-0800	Nut	4
7	583L-0800	Nut	6
8	31057-181	Cap screw	4
9	31057-256	Bolt	2
10	11012-132	Handle support clamp	2
11	71900-846	Handle support bar	2
12	68028-119	Velcro strap	3
13	71285-109	Recoil starter Handle	1
14	601399	Instruction manual	1
15	601825	Instruction manual (Engine)	1
16		Mulch kit (see page 4-5 for parts listing)	1



WARNING: Mower blades are sharp and can cut. Wrap the blade(s) or wear gloves and use extra caution when servicing them.

1. Attach the lower handle ③ to the mower with flanged nuts. Fig. 4-2

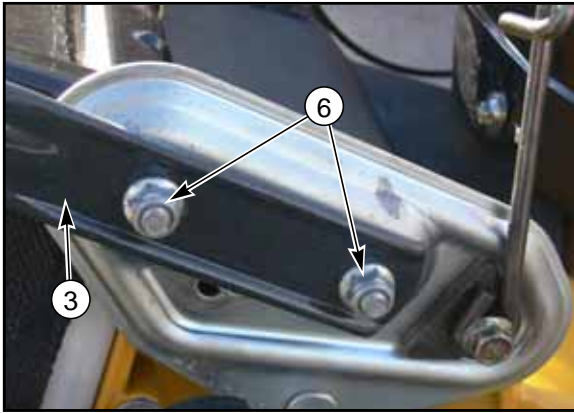


Fig. 4-2

2. Assemble the upper handle to the lower handle ③. Use the holder ⑬ on the right hand side and the two bolts ⑨ on the left hand side and the flanged cap nuts ⑦. Fig. 4-3 and Fig. 4-4

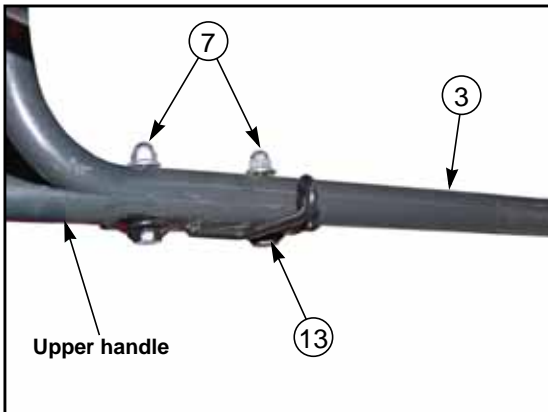


Fig. 4-3

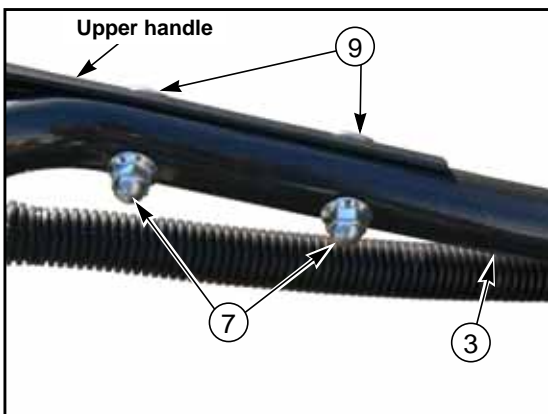


Fig. 4-4

3. Remove the lower bolt and attach the bar ⑪ to the mower as shown. Fig. 4-5. Start the bolt in the hole but do not tighten. Install the bracket ⑩ to the lower handle and attach the bar ⑪ using hardware ⑧ and ⑦ (flanged cap nut not shown). Tighten all of the hardware. Fig. 4-5 and Fig. 4-6

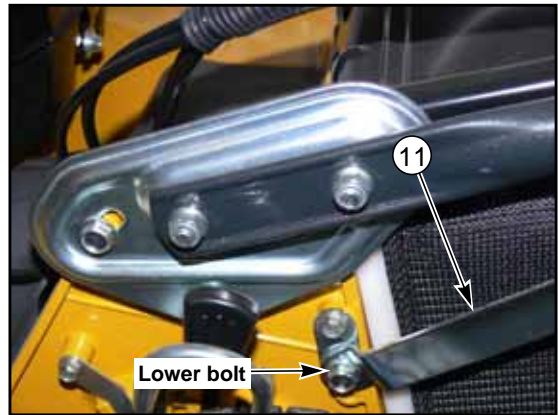


Fig. 4-5

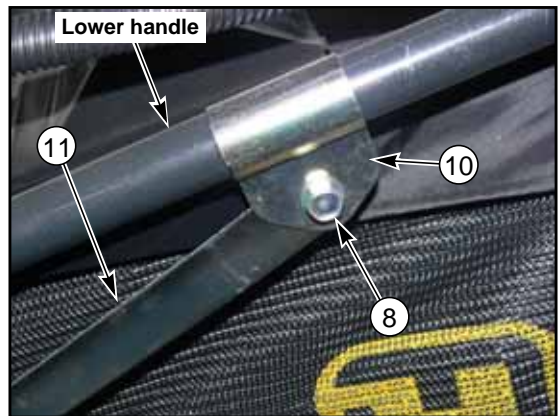


Fig. 4-6

NOTE: When adjusting the height of the handle, loosen the bolt on the bar ⑪, before loosening the handle height adjustment bolt. Fix the cable harness to the handle with velcro straps so that they do not interfere with the opening / closing of the guard or operation of the machine. The cable harness should be routed under the lower handle. Fig. 4-7 and Fig. 4-8

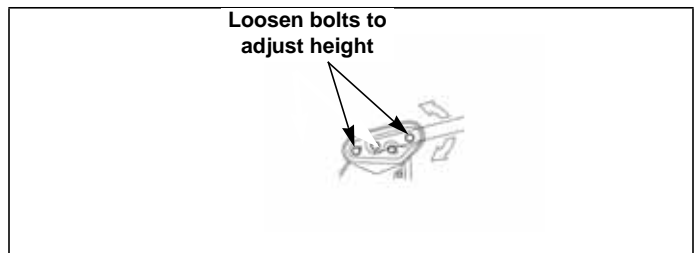


Fig. 4-7

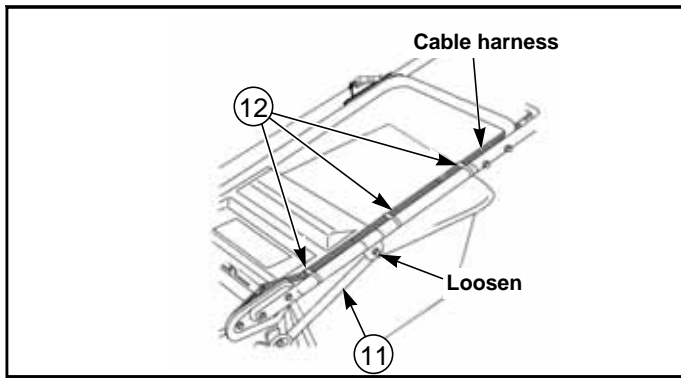


Fig. 4-8

4. Attach the recoil starter ② to the mower. Remove the three existing cap screws on the cover. Align recoil starter so that the draw cord is on the dipstick side of the engine. Bolt recoil starter ② and cover to the engine. Route the cord through the holders provided on the lower right hand side handle. Fig. 4-9 and Fig. 4-10.

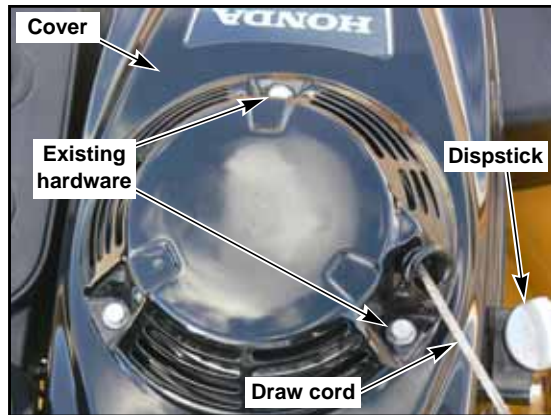


Fig. 4-9



Fig. 4-10

5. Place the catcher bag ⑤ onto the frame ④. Fig. 4-11. Attach the catcher to the mower. Lift the guard and set the hooks of the catcher on the housing of the mower. To remove the catcher reverse the previous procedure. Fig. 4-12

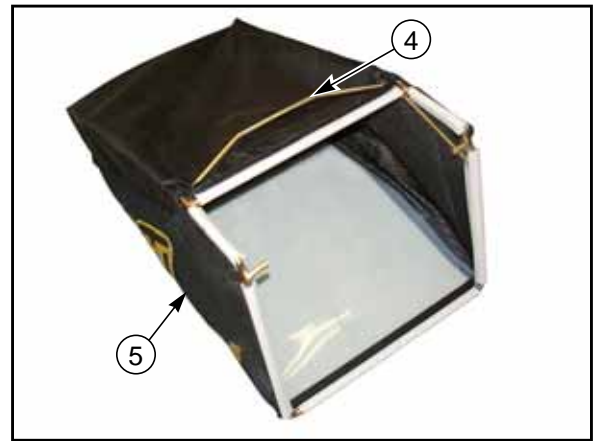


Fig. 4-11

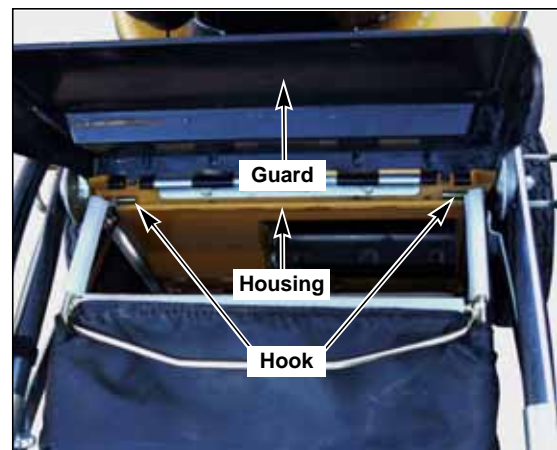


Fig. 4-12



WARNING: When attaching or detaching the catcher, be sure to turn off the engine. Open or close the guard slowly. Also, do not place your finger(s) between the guard and the mower.

NOTE: Before operating the mower, oil and unleaded gasoline need to be added to the engine. Add 1.4 pints (.65 L) of SAE 10W-30 oil and a half gallon (1.8 L) of gasoline to the engine.

B. Mulch kit

Item	P/N	Description	Qty
1	71906-460	Multi cutting blade set	2
2	91014-183	Blade	1
3	91014-182	Blade	1
4	11024-150	Clip	1
5	11086-198	Clip (stopper)	1
6	31044-134	Plug	1
7	60124-220	Spacer	1
8	31057-220	M10 x 30 x 1.25	2
9	335L-0610	M6 x10 x 1.0	1

NOTE: Do not operate in conditions that cause the engine to bog down or stall. When cutting thick grass, or high grass, adjust the cutting height of the deck to a suitable setting. It

may be necessary to make more than one pass to properly cut a lawn.

1. Turn the mower off and shutoff the fuel cock. Disconnect the spark plug wire. Turn the mower on its side. Fuel tank side must be facing up.
2. Remove the normal cutting blade and replace with mulching blades ①. Use the bolts ② supplied with the mulching blades. The regular bolts will be too short. Torque blades to 26 - 33 ft.-lb. (35-45 Nm). Fig. 4-13

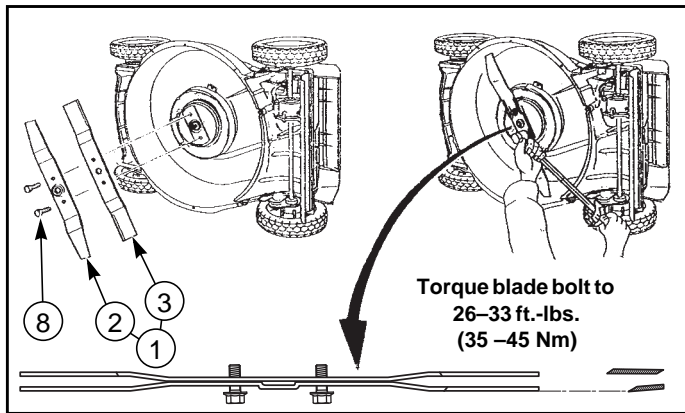


Fig. 4-13

3. Lift guard and place the spacer ⑦ in the discharge chute. Install and bolt ⑨ the two clips ④ and ⑤ together as shown. Fig. 4-14

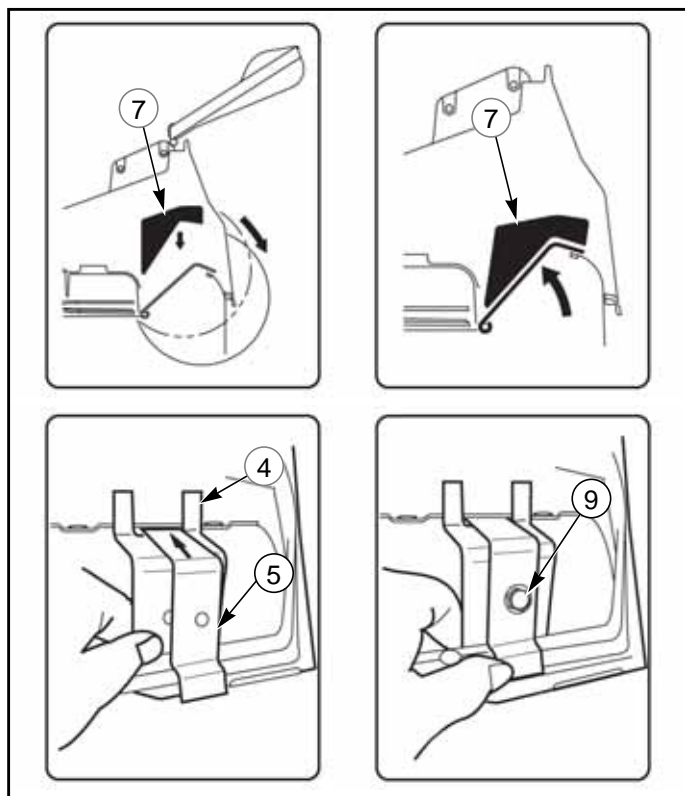


Fig. 4-14

4. Insert the plug ⑥ and allow the guard to return to the normal operating position. Fig. 4-15 and Fig. 4-16

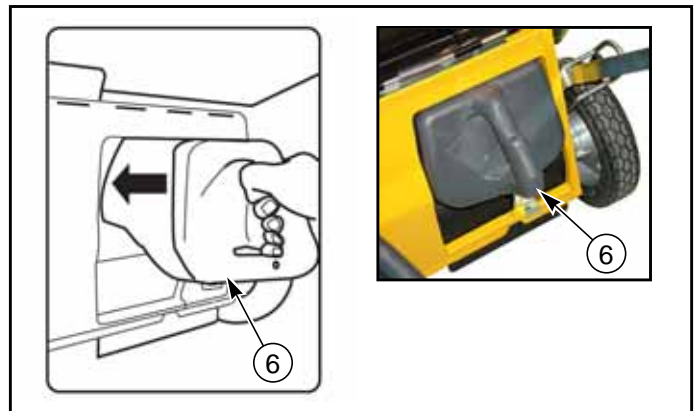
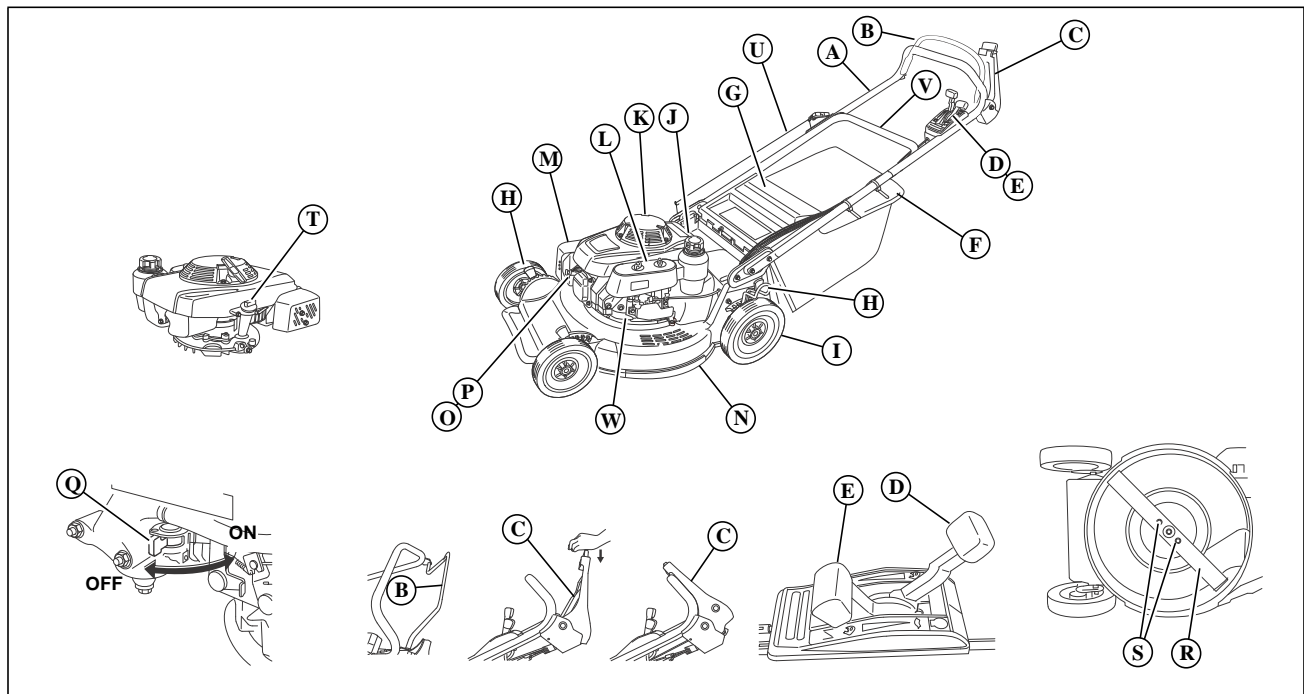


Fig. 4-15



Fig. 4-16



NOTE: Illustrations may differ from the actual machine you have purchased.


	Name	Description
A.	Upper handle	Grab this handle when using the lawn mower
B.	Drive clutch lever	Controls mowing and stoppage. Pushed forward: Machine starts moving forward Released: Machine stops moving forward
C.	Blade lever	Engages and disengages the blade clutch Pushed forward with yellow button depressed: Engages the blade clutch (When pushed forward with the button not depressed, the blade does not rotate.) Released: Stops the blade rotation.
D.	Gearshift lever	Adjusts the mowing speed
E.	Throttle lever	Adjusts the engine speed. (Position)  (Meaning) Choking High speed Low speed Stop (Usage) Engine start Mowing Idling Engine stop
F.	Grass bag	Catches the grass clippings
G.	Guard	
H.	Cutting height adjustment lever	Adjusts the cutting height (one located at each wheel)
I.	Wheel	
J.	Fuel tank	
K.	Recoil starter	Pull the starter rope to start the engine
L.	Air cleaner	
M.	Muffler	
N.	Housing	
O.	Spark plug	
P.	Spark plug wire	
Q.	Fuel cock	Shuts off fuel flow to the engine.
R.	Blade	
S.	Blade mounting bolts	Attaches the blade to the blade mount
T.	Engine oil dipstick & oil fill tube	Shows the engine oil level.
U.	Starter rope	
V.	Lower handle	
W.	Fuel filter	

Fig. 4-17

Operation



WARNING: Before inspection, stop the engine and remove the spark plug wire from the spark plug.

A. Preparation and inspection

1. Place the mower on a level surface.
2. Check the engine oil level using the engine oil dipstick. Do not screw dipstick into tube when checking engine oil. Make sure the oil level is between the upper and lower limits on the dipstick. Replenish oil if necessary. Make sure the dipstick is properly seated when reinstalled in the dipstick housing. Fig. 4-18
3. Check the fuel level and fill fuel tank if necessary. Make sure the fuel cap is screwed on properly and tight before beginning operation. Fig. 4-19
4. **If catching:** Check the grass bag for any holes or damage. Replace if damaged.
If mulching: Check that the spacer, stand/stopper and plug are in place and the guard is in the lowest position and is resting against the plug.
5. Check the machine for loose hardware or parts. Make sure all covers and guards are properly installed.
6. Check the mower blade for damage and proper blade bolt torque. Replace blade if damaged. Refer to *Mower Blade Maintenance* section for more detailed information.

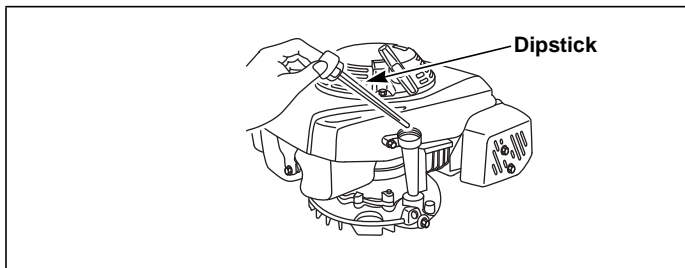


Fig. 4-18

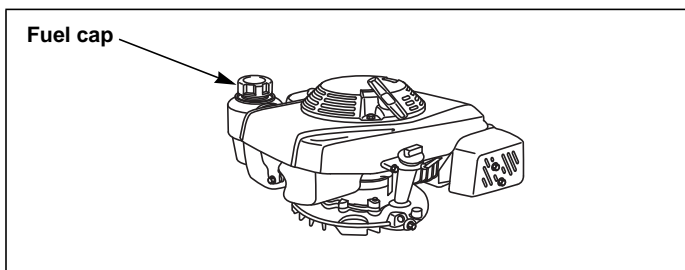


Fig. 4-19

B. Checking the Blade Brake Clutch safety system

Check the blade brake clutch safety system daily, prior to each use. This system is an important mower safety feature. It should be repaired immediately if it malfunctions.

1. Stop the engine and wait for all moving parts to stop.
2. Move the mower onto a paved surface that is located in a non-windy area.
3. Set the cutting height to 2-1/2" (6.4cm) at all four wheels.

4. Crumple a half sheet of newspaper into a ball small enough to go under the deck (approximately 3" or 7.6cm in diameter).
5. Place the newspaper ball 5" (12.7cm) in front of the mower.
6. Start the engine.
7. Engage the blade lever to start the blade.
8. After the blade is spinning, disengage the blade lever. You should hear a change in the noise the mower is making. This will be due to the blade stopping and the engine sound increasing because no load is being applied to it.
9. Immediately push the mower over the newspaper ball.
10. Stop the engine and wait for all moving parts to stop.
11. Walk around the mower to check for the newspaper ball. If the ball did not go under the mower then repeat steps 5 through 10.
12. Move the mower away from the newspaper ball. If the newspaper ball has unraveled or is shredded, the blade is not stopping properly, resulting in unsafe operating conditions. Contact your Hustler Turf Dealer before continuing operation.

C. Engine operation

1. Attach the spark plug wire to the spark plug.
2. Set the fuel cock to the "ON" (open) position. Fig. 4-20

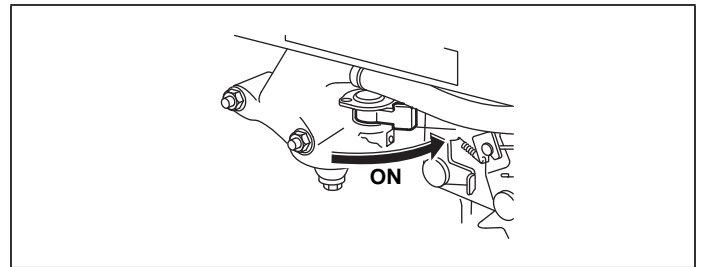


Fig. 4-20

3. Set the throttle to the "CHOKE" position if starting a cold engine. Set the throttle to the "FAST" position if the engine is warm. Fig. 4-21

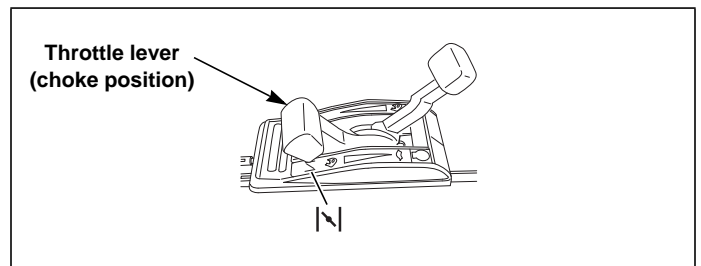


Fig. 4-21

4. **To start the engine:** Lightly pull on the starter rope handle until you can feel resistance. Make sure you have a good grip on the handle and then pull on the starter rope handle with more force. After engine has started allow the starter rope to return to the recoil starter handle slowly.

NOTE: Make sure that the blade lever and the drive clutch lever are disengaged before starting the engine.



WARNING: Make sure there is no person or object in front of, or behind you when pulling on the starter rope.

5. Allow the engine to warm up before mowing. Set throttle lever to the “FAST” position when mowing. Fig. 4-22

NOTE: The engine may stall if the blades are engaged with the throttle in the “SLOW” position.

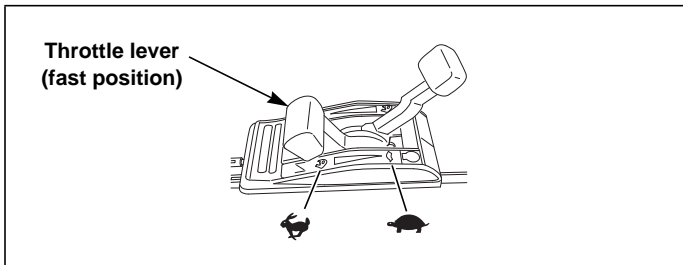


Fig. 4-22

6. **To stop the engine:** Release the blade lever and the drive clutch lever. Set throttle to the “STOP” position. When engine has stopped, rotate the fuel cock to the “OFF” (closed) position. Fig. 4-23 and Fig. 4-24

NOTE: Do not stop the engine with the throttle set in the “CHOKE” position. Restarting the engine will become harder if this occurs. However, if the engine will not stop with the throttle set to the “STOP” position then set the throttle to the “CHOKE” position to shutoff the engine. If the “CHOKE” method is necessary to stop the engine, check the throttle control for proper adjustment. Re-adjust if necessary.

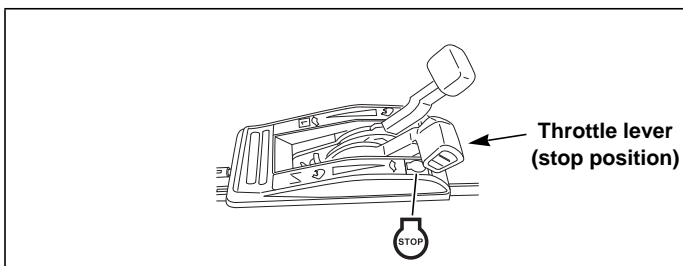


Fig. 4-23

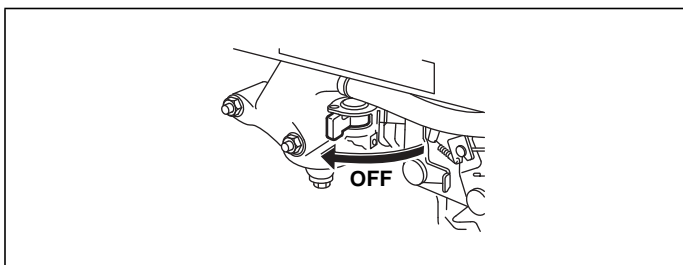


Fig. 4-24

D. Mowing operation

When operating this mower observe the instructions and safety items in this manual.

Use this mower when the outside air temperature is

between 40° and 105° F (5° and 40° C). Failure to use this machine within this temperature range may result in a malfunction, breakdown or accidents.



WARNING: All operators and mechanics must become familiar with the safe operation of the equipment, operator controls and safety signs before using this machine.

1. Perform the daily inspection and preparation routine found elsewhere in this manual before starting operation.
2. Start engine per the *Engine Operation* section.
3. Set the throttle lever to the “FAST” position. Fig. 4-25

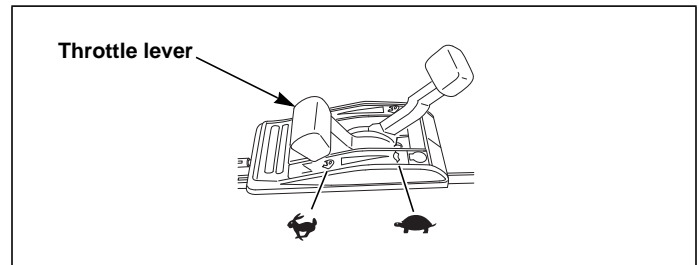


Fig. 4-25

4. Push the blade lever forward while pressing on the yellow button. This will engage the blade clutch. Make sure the lever is pushed forward until it touches the handle. Fig. 4-26

NOTE: The blade will not engage unless the yellow button is depressed.

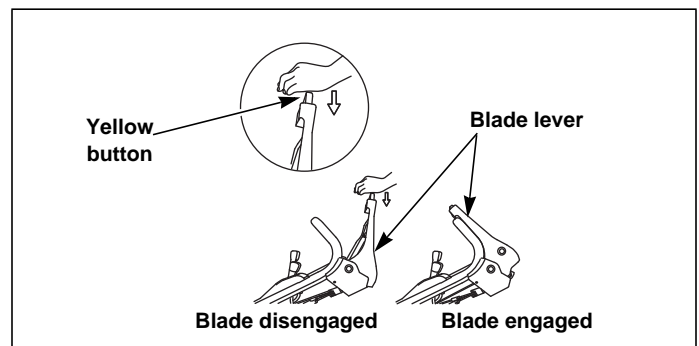


Fig. 4-26

5. **To drive the mower forward:** Step toward the handle while pushing the drive clutch lever forward to engage the transmission. Make sure the lever is pushed forward until it touches the handle. Fig. 4-27

IMPORTANT: Do not require the machine to pull you forward. This will result in premature transmission failure.

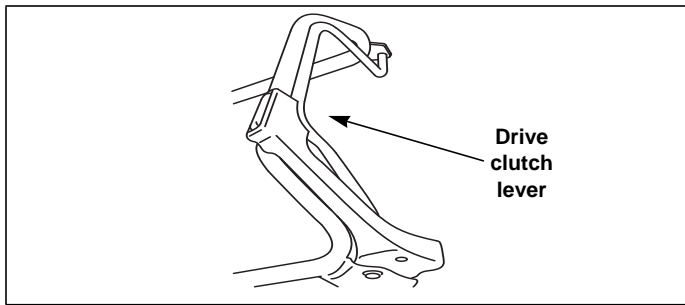


Fig. 4-27

- Adjust the mowing speed with the gearshift lever. Fig. 4-28

NOTE: Adjust the mowing speed according to the conditions of the mowing area and the grass.



WARNING: To mow; make sure each the blade lever and clutch lever are pushed down until they touch the handle. Continuing to operate without the levers pushed completely down will result in a machine failure.

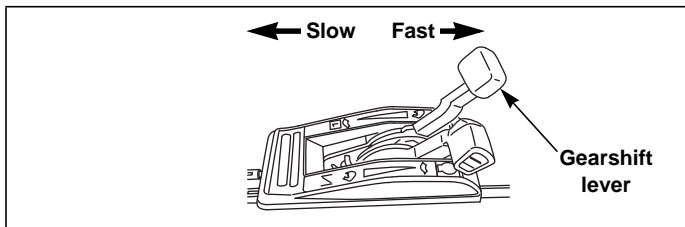


Fig. 4-28

- To shutdown the mower do the following:

Release the drive clutch lever and pull back on the blade lever to disengage the blade clutch. Set the throttle to the "STOP" position. The engine should stop. Fig. 4-29

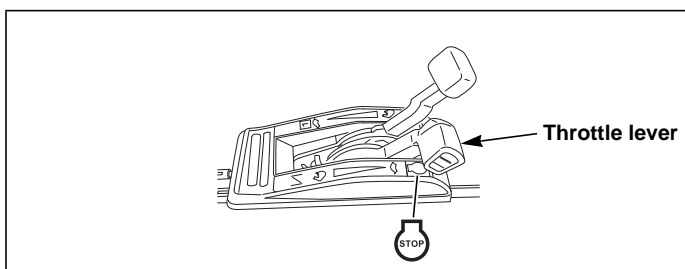


Fig. 4-29

E. Cutting height adjustment



WARNING: Hot engine and muffler! Do not touch the muffler and the engine when adjusting the cutting height.

- Stop the engine.
- Push the cutting height adjustment lever so that it clears the height setting notches. Fig. 4-30 and Fig. 4-31

- Place the cutting height adjustment lever in the desired cutting height notch.
- Set all cutting height adjustment levers at the same position

F. Grass catcher

- Attaching the grass catcher:
Lift the guard and place the catcher hook onto the mower housing. Fig. 4-32
- Removing the grass catcher:
Lift the guard and remove the catcher hook from the mower housing.
Close the guard slowly.

NOTE: If the grass catcher becomes full or the discharge opening becomes clogged then the mower will begin to leave grass clippings.

NOTE: Clogging may occur if the grass catcher bag becomes wet..

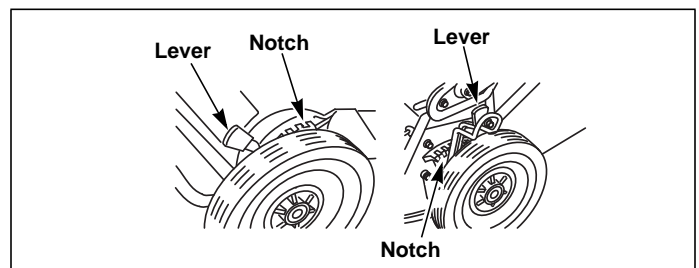


Fig. 4-30

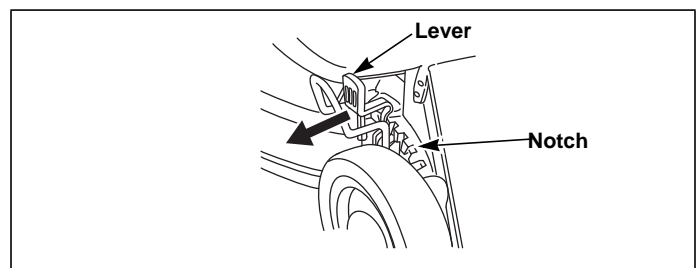


Fig. 4-31

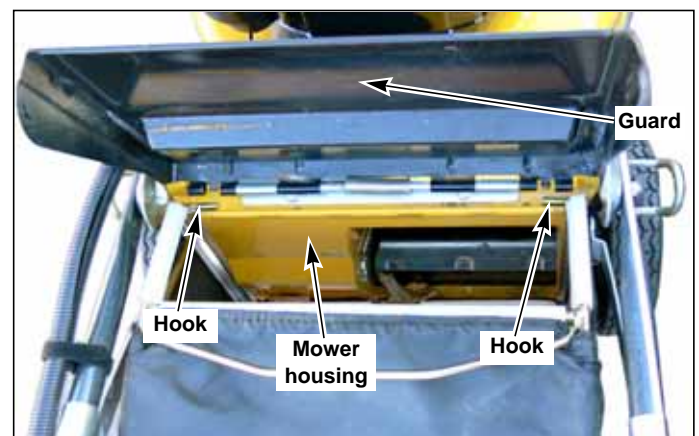


Fig. 4-32

Transporting the mower

1. Close the fuel cock.
2. If necessary detach the handle. Temporarily tighten the screws at the original positions if the handle is detached.



WARNING: Stop the engine and remove the spark plug wire before loading the mower onto a truck or trailer.



WARNING: Do not leave nor transport this machine tilted.

MAINTENANCE & ADJUSTMENTS

Safe Servicing Practices

This product is capable of amputating hands and feet and throwing objects. Always follow all safety instructions to avoid serious injury or death.

Service

- ▲ Unless specifically required, **DO NOT** have engine running when servicing or making adjustments to the mower. Park the machine on level ground. Disconnect the spark plug wire from the spark plug before doing any maintenance. Wait for all movement to stop before adjusting, cleaning or repairing. Repairs or maintenance requiring engine power should be performed by trained maintenance personnel only. To prevent carbon monoxide poisoning, be sure proper ventilation is available when engine must be operated in an enclosed area. Read and observe safety warnings in this manual.
- ▲ Before working on or under the deck, make certain engine cannot be accidentally started. Shut engine off and disconnect spark plug wire from the spark plug for maximum safety. Repairs or maintenance requiring engine power should be performed by trained maintenance personnel only.
- ▲ Always keep shields and covers on mower for safety as well as cleanliness.
- ▲ Use a stick or similar instrument to clean under the mower making sure that no part of the body, especially arms and hands are under mower.
- ▲ Always keep engine and machine clean, removing accumulated dirt, trash and other material from machine. Clean up oil or fuel spillage. Allow machine to cool before storing.
- ▲ **Clean flammable material from machine. Prevent fires by keeping the mower clean of accumulated trash, grass clippings and other debris. Always clean up spilled fuel and oil.**
- ▲ Always wear adequate eye protection when servicing the mower or when grinding mower blades and removing accumulated debris.
- ▲ Use extra caution when handling gasoline and other fuels. They are flammable and vapors are explosive.
- ▲ Never attempt to start engine when there is a strong odor of gasoline fumes present. Locate and correct cause.
- ▲ Never remove fuel cap or refuel mower while engine is running or while engine is hot; never refuel near an open flame or near devices which can create a spark. Refuel outdoors. Clean up any gasoline spills.
- ▲ Never run the engine in an enclosed area unless exhaust is vented to the outside. Exhaust gases contain carbon monoxide which is an odorless and deadly poison.
- ▲ Never attempt to make any adjustments or repairs to the drive system or mower deck while the engine is running or deck clutch is engaged. Mower blades cannot be seen and are located very close to the deck housing. Fingers and toes can be cut off instantly. Repairs or maintenance

requiring engine power should be performed by trained personnel only.

- ▲ Prior to any servicing stop the engine and disconnect the spark plug wire, being careful to not touch the hot engine or muffler.
- ▲ Be careful not to spill fuel or oil when tilting the unit to check or maintain the blade. Clean up any spills immediately.
- ▲ Do not touch hot parts of machine. Allow engine to cool before servicing.
- ▲ Keep nuts and bolts tight, especially the blade attachment bolts. Keep equipment in good working condition.
- ▲ Never tamper with safety devices. Check their proper operation regularly.
- ▲ Stop the engine before removing the grass catcher or unclogging the discharge chute. Never clear the discharge chute with the engine running. Turn off the engine and be sure the blade has stopped before cleaning. Use a stick to clear a plugged discharge area. **Never use your hand!**
- ▲ Grass collection system components are subject to wear, damage and deterioration, which could expose moving parts or allow objects to be thrown. Frequently check components and replace with manufacturer's recommended parts, when necessary.
- ▲ Exercise caution when working under the deck as the mower blade is extremely sharp. Wrap the blade(s) or wear gloves and use extra caution when servicing them.
- ▲ Use only genuine Hustler replacement parts to ensure that original standards are maintained

Introduction

Regular maintenance is the best prevention for costly downtime or expensive, premature repair. The following pages contain suggested maintenance information and schedules which the operator should follow on a routine basis.

Remain alert for unusual noises, they could be signaling a problem. Visually inspect the machine for any abnormal wear or damage. A good time to detect potential problems is while performing scheduled maintenance service. Correcting the problem as quickly as possible is the best insurance.

Clear away heavy build-up of grease, oil and dirt, especially around the engine; minute dust particle are abrasive to close-tolerance engine assemblies.

Daily inspect mower for grass clippings and wire and string tangles. The underside of the mower deck will collect a build-up of grass clippings and dirt, especially when grass is wet or has high moisture content. This build-up will harden, restricting blade and air movement and will probably show a poorer quality of cutting. Therefore it should be removed routinely.

To do this it will be necessary to scrape the build-up from underneath.

Some repairs require the assistance of a trained service mechanic and should not be attempted by unskilled personnel. Consult your Hustler service center when assistance is needed.

Torque values



WARNING: Particular attention must be given to tightening the blade bolts. Failure to correctly torque these may result in the loss of a blade, which can cause serious damage or personal injury.

Torque values are given below:

	Ft-lbs.	Nm
Blade spindle bolt top	26 - 33	35 - 45

For all other torques refer to the standard torque chart found elsewhere in this manual.

For engine torque values, see engine owner's manual.

Washing the mower

When washing the mower, **do not** use a power washer. This will help prevent water intrusion and ensure component performance. Wipe with a dry rag after washing and then wipe the metal surface with a rag soaked with oil.

Clean the grass catcher with water and allow it to dry before using.

Fuel system



DANGER: To avoid personal injury or property damage, use extreme care in handling gasoline. Gasoline is extremely flammable and the vapors are explosive.



DANGER: Observe usual fuel handling precautions: Do not smoke while refueling. Extinguish all cigarettes, cigars, pipes and other sources of ignition. Do not remove fuel cap or fill tank with engine running or while engine is hot. Clean up any gasoline spills. Allow engine to cool before storing machine inside a building. Keep fuel away from open flame or spark and store machine away from open flame or spark or pilot light such as on a water heater or other appliances. Use extreme care when handling gasoline and other fuels. They are extremely flammable and vapors are explosive. A fire or explosion from gasoline can burn you and others and can damage property. Never refuel or drain the fuel from the machine indoors. Never attempt to start engine when there is a strong odor of gasoline fumes present. Locate and correct cause. Store gasoline in an approved container and keep it out of the reach of children. Never buy more than a 30 day supply of gasoline. Always place gasoline containers on the ground away from your vehicle before filling. Do not fill gasoline containers inside a vehicle or on a truck or trailer bed with interior carpets or plastic truck bed liners. Always place gasoline containers on the ground away from your vehicle before filling.

When practical, remove gas-powered equipment from the truck or trailer and refuel the equipment with its wheels on the ground. If this is not possible, then refuel such equipment on the truck or trailer using a portable container and not a gasoline dispenser nozzle. If a gasoline dispenser nozzle must be used, keep the nozzle in contact with the rim of the fuel tank or container opening at all times until fueling is complete. Do not use a nozzle lock-open device.

Read and observe safety precautions elsewhere in this manual.



WARNING: Gasoline is harmful or fatal if swallowed.

Long-term exposure to vapors can cause serious injury and illness.

Avoid prolonged breathing of vapors.

Keep face away from nozzle and gas tank or fuel container opening.

Keep gas away from eyes and skin.

If fuel is spilled on clothing, change clothing immediately.



WARNING: Never overfill fuel tank. Replace gas cap and tighten securely.

The fuel tank is located at the left rear of the engine. Fig. 5-1 Use regular unleaded gasoline with an octane rating of 87 or higher.

IMPORTANT: Dispose of any unused gasoline properly according to the law in each country.

IMPORTANT: Never use **methanol**, gasoline containing methanol, or gasohol containing more than 10% ethanol because the fuel system could be damaged. Do not mix oil with gasoline.

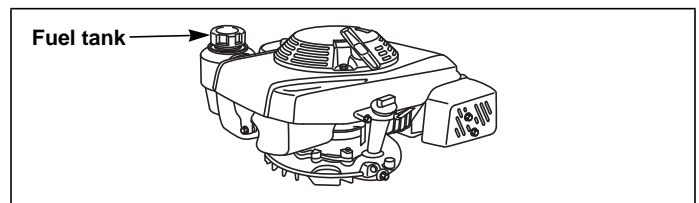


Fig. 5-1

Engine oil and filter

IMPORTANT: Drain all of the gasoline from the fuel tank before tilting the engine to drain the oil. Dispose of used engine oil properly according to the law in each country.

IMPORTANT: All oil drips or spills **must** be cleaned off of the exhaust system before operating the machine.



WARNING: Do not touch the engine and muffler as they may be hot.

1. Remove the engine oil dipstick.
2. Remove the engine oil drain plug. Fig. 5-2
3. Tilt the mower onto its side to drain the oil. Fig. 5-2
4. Set the mower right side up and replace the oil drain plug. Clean up any oil spill.
5. Fill engine with the proper oil and quantity per the engine

manufacturer's recommendation.

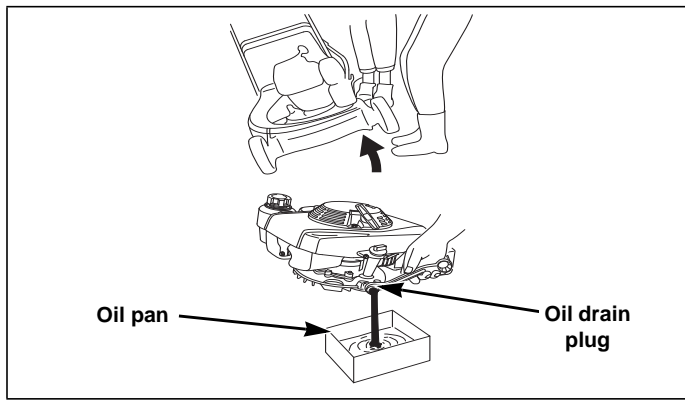


Fig. 5-2

Engine air filter

Perform engine air filter maintenance per the engine's owner's manual.

General engine maintenance

Detailed instructions and recommendations for break-in and regular maintenance are specified in the Engine Owner's manual. Please refer to this manual for engine servicing, lubricating oil levels with quality and viscosity recommendations, bolt torques, etc. The engine warranty is backed by the manufacturer. Special attention should be paid to applicable data which will not be duplicated here.



WARNING: Do not change engine governor setting or overspeed the engine.

Mower blade maintenance

Check the mower blade daily, it is the key to power efficiency and well groomed turf. Keep it sharp, a dull blade will tear rather than cut the grass, leaving a brown ragged top on the grass within a few hours. A dull blade also requires more power from the engine.

Replace any blade which is bent, cracked or broken.



WARNING: Mower blades are sharp and can cut. Wrap the blade(s) or wear gloves and use extra caution when servicing them.



WARNING: Never attempt to straighten a bent blade by heating, or weld a cracked or broken blade as the blade may break and cause serious injury. Replace worn or damaged blades.



DANGER: Never work with blades while engine is running. Always disconnect the spark plug wire from spark plug when working under the mower. Wear gloves when handling blades. **Always check for blade damage** if mower strikes a rock, a branch or other foreign objects during mowing!



WARNING: Always wear adequate eye protection when grinding mower blades.



WARNING: Failure to correctly torque the blade mounting bolts may result in the loss of the blade which can cause serious injury.

A. Checking the blade

1. When checking the blade, lay the mower on it's side with the carburetor on the upside.
2. Confirm that the blade is not chipped, bent or worn. Fig. 5-3
3. If the blade or the blade bolts are damaged, replace with Hustler approved parts.
4. Torque the blade bolts to 26.0-33.0 ft.-lbs (35-45 Nm). Fig. 5-4

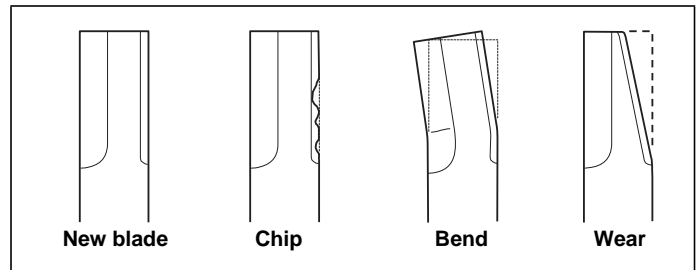


Fig. 5-3

B. Replacing the blade

1. Lay the mower on it's side with the carburetor on the upside.
2. Loosen the blade mounting bolts and remove the blade.
3. Clean the underneath side of the mower housing and around the blade mounting bracket.
4. Attach blade using the blade mounting bolts and torque between 26 - 33 ft.-lbs (35 - 45 Nm). Fig. 5-4

NOTE: Check the blade for balance following grinding. A commercial balancing tool is available through most hardware supply stores, or balancing can be done by placing the blade on an inverted line punch. Blade should not lean or tilt. Spin the blade slowly, blade should not wobble. If blade is out of balance, true it up before reinstalling.

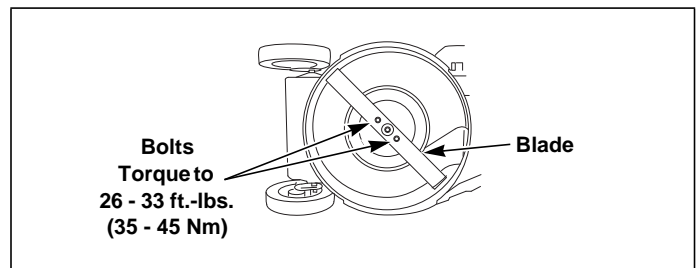


Fig. 5-4



WARNING: Mower blades are sharp and can cut. Wrap the blade(s) or wear gloves and use extra caution when servicing them.

Throttle lever adjustment

Adjust the throttle lever so that when it is placed in the "CHOKE" position the engine choke is engaged. Fig. 5-5

1. Confirm that the adjustment hole on the engine control panel matches the throttle lever when it is in the "FAST" position.
2. If adjustment is necessary, adjust by turning the adjuster and loosening the lock nut on the throttle cable. Fig. 5-6
3. Set the adjuster to the optimal position and tighten the lock nut. Fig. 5-6
4. Start the engine and confirm that the engine stops completely when the throttle lever is set at the "STOP" position.

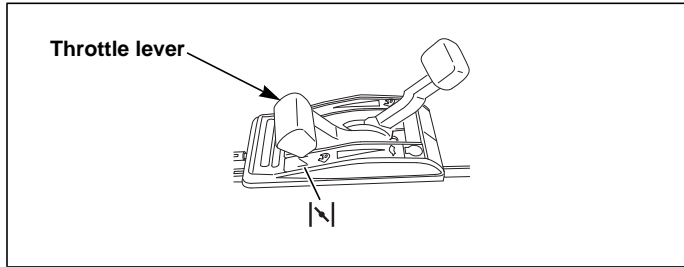


Fig. 5-5

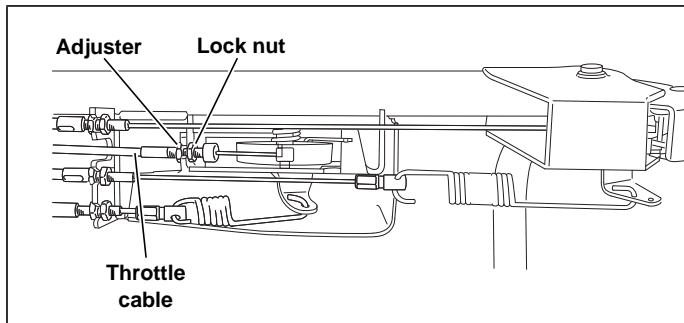


Fig. 5-6

Blade lever adjustment

Adjust so that the blade starts rotating when the distance between the blade lever and the handle is 1.97" - 2.95" (50 - 75 mm) when the yellow button is depressed. Fig. 5-7

1. If adjustment is necessary, adjust by turning the adjuster and loosening the lock nut on the blade cable. Fig. 5-8
2. Set the adjuster to the optimal position and tighten the lock nut. Fig. 5-8
3. Confirm that the blade stops completely when the blade lever is released.

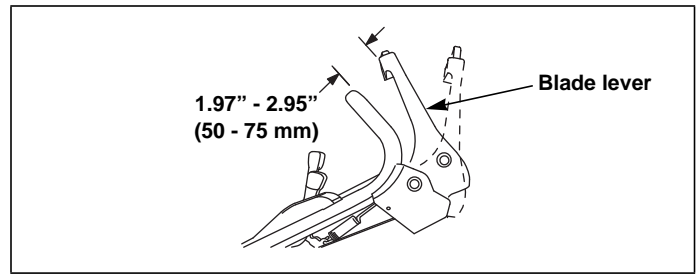


Fig. 5-7

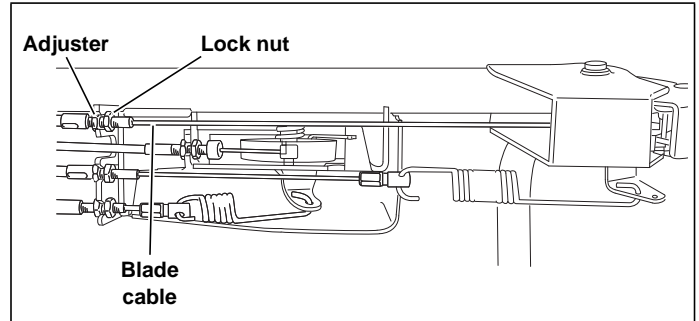


Fig. 5-8

Drive clutch lever

Adjust so that the machine runs (when the drive clutch is engaged) when the distance between the drive clutch lever and the handle is 2.95" - 3.94" (75 - 100 mm). Fig. 5-9

1. If adjustment is necessary, adjust by turning the adjuster and loosening the lock nut on the drive clutch cable. Fig. 5-10
2. Set the adjuster to the optimal position and tighten the lock nut. Fig. 5-10
3. Confirm that the machine can be pulled backward when the drive clutch lever is released.

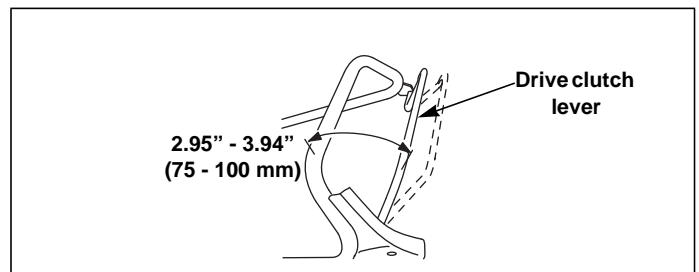


Fig. 5-9

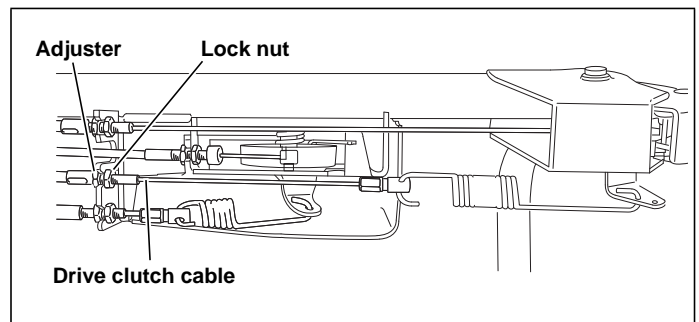


Fig. 5-10

Gearshift lever

Adjust the gearshift lever to .04" - .51" (1 - 3 mm) as shown in Fig. 5-11.

1. If adjustment is necessary, adjust by turning the adjuster and loosening the lock nut on the gearshift cable. Fig. 5-12
2. Set the adjuster to the optimal position and tighten the lock nut. Fig. 5-12
3. Start the engine and confirm that the running speed changes when the gearshift lever is operated.

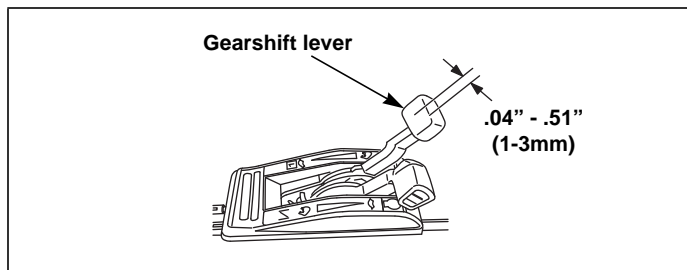


Fig. 5-11

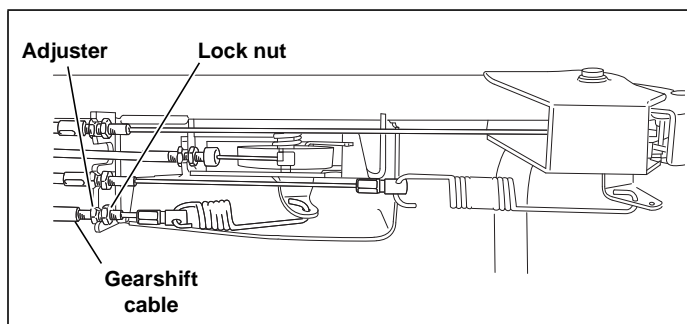


Fig. 5-12

Hustler M-1 Maintenance Schedule

SERVICE AT INTERVALS INDICATED	WEEKLY OR 40 HOURS	ANNUALLY OR 100 HOURS
Verify safety start interlock system	Prior to each use	
Visually inspect unit for loose hardware and/or damaged parts	Prior to each use	
Check oil level, engine (1)	Prior to each use or every 4 hours	
Clean air intake screen (3)	Prior to each use or every 4 hours	
Clean foam element (3)	Prior to each use	
Check fuel level	Prior to each use	
Blade - sharpen & securely fastened	Prior to each use	
Grass catcher/mulcher plug - securely in place	Prior to each use	
Clean engine and housing	Daily	
Change engine oil & filter (1)(2)	X	
Clean cylinder & head fins (a)	X	
Clean engine exterior (a)	X	
Replace air cleaner paper element (3)	X	
Clean & regap spark plug (a)		X
Check fuel line (4)		X
Change fuel filter		X
Replace spark plug		X
Throttle cable - adjust		X
Drive clutch cable - adjust		X
Blade cable - adjust		X
Gearshift cable - adjust		X

NOTES:

1. Initial oil change is after 5 hours of operation. Thereafter, change oil after every 40 hours operation. Change more often under dusty or dirty conditions and during hot weather periods.
2. Change engine oil filter per the engine manufacturer's recommendations. Refer to Engine Owner's Manual for recommendations and other maintenance items.
3. Service more often under dusty or dirty conditions.
4. Check fuel line hose for any cracks or leaks

REFERENCES:

a—Refer to Engine Owner's Manual

NOTE: After completing maintenance cycle (100 hours), repeat cycle.

TROUBLESHOOTING

The majority of operating problems that occur with a system can be traced to improper adjustments or delayed service. A consistently applied preventative maintenance program, as outlined in the maintenance section of this manual, will prevent many problems. The following chart is designed to help you locate a problem by suggesting probable causes and the recommended solutions.		
SYMPTOMS	PROBABLE CAUSES	SUGGESTED REMEDIES
Engine does not start	No fuel or line plugged	Fill tank or replace line
	Engine oil low	Add engine oil
	Throttle lever is set to "STOP" position	Set throttle lever to "CHOKE" or "RUN" position
	Spark plug wire is disconnected	Reconnect spark plug wire
	Excess gasoline is inhaled into cylinder	
	Air cleaner is dirty	Clean or replace air filter
Engine is hard to start Engine power is weak	Air cleaner is dirty	Clean or replace air filter
	Carburetor is clogged	Clean carburetor
	Fuel tank cap is removed	Replace fuel cap
	There is dirt in the fuel filter	Replace the fuel filter
	Dirt, water or stale fuel in the fuel system	Contact your Hustler Dealer
	Throttle wire is not adjusted properly	Adjust throttle wire
	Numerous	See engine manual
Engine overheating	Spark plug gap is incorrect	See engine manual
	Restrictions in air cleaner	Service air cleaner
	Cooling fan is dirty	Clean the cooling fan area
	Engine oil low	Add engine oil
	Recoil starter is clogged etc.	Clean recoil starter
Abnormal vibration	Blade loose	Torque blade bolts
	Unbalance blade	Balance blade and torque blade bolts
	Engine is loose	Tighten engine mount bolts

STORAGE

When storing the unit at the end of the mowing season, the following steps should be taken to ensure readiness for the next mowing season.

1. Remove all grass, dirt, and trash from mower. Clean mower and touch up all scrapes with Hustler spray paint.
IMPORTANT: Wash the machine with a mild detergent and water. Do not pressure wash the machine. Avoid excessive use of water.
2. Install new air filter per Engine Owner's Manual.
3. Check thoroughly for any worn or damaged parts that need replacing and order them from your dealer.
4. Clean the grass catcher bag.
5. Perform separate engine preparation as listed below.
6. Store mower in a clean, dry place.

Preparation of engine for storage

When engine is to be unused for long periods, proceed as follows:

1. Run engine for a minimum of 15 minutes.
2. Drain oil from crankcase while engine is still warm.
3. Refill with fresh oil of proper viscosity.
4. Drain fuel tank and run the engine until it stops from lack of fuel. Gasoline evaporates if left in carburetor for long periods, forming gum and varnish deposits in carburetor. These deposits will cause engine flooding and loss of power.
5. Remove and replace fuel filter if not done in previous 100 hours.

6. Remove spark plug and pour a tablespoon of engine oil into the spark plug hole. Install plug, but do not reconnect spark plug wire.
7. Crank engine with starter rope at least a dozen revolutions to distribute oil over cylinder walls and valve mechanism.
8. Clean exterior surface of engine. Spread a light film of oil over any exposed metal surfaces of engine that are subject to corrosion.
9. Clean dirt and chaff from cylinders and fins, blower housing and muffler.
10. Check oil filler cap and fuel tank cap to make certain they are securely in place.
11. Refer to engine manual for more information.

New season preparation

Before starting the mower following post season storage, the following servicing is required:

1. Clean mower, removing trash and dirt accumulation.
2. Check engine oil level.
3. Fill fuel tank with fresh gasoline. Run machine at half speed for 5 minutes. Stop engine and check for leaks, loose fittings and so forth.
4. Tighten any bolts that have loosened and make sure all hair pins, cotter pins and clevis pins are in place.
5. Install all safety shields and review safety precautions listed in this manual.
6. Refer to engine manual for more information.

Parts Manual

General Information	6-3
Service Literature	6-3
Using this manual.	6-3
Standard Torques	6-3
Mower Deck Assembly	6-4
Wheel Breakdown	6-6
Brake Assembly.	6-8
Cover Unit	6-10
Gear Case—71008-431.	6-12
Mulch Kit	6-14
Handle, Levers & Catcher System.	6-16
Decals	6-18

General Information

This Manual covers the Hustler M-1 model **929208**.

Service Literature

PART NO.	DESCRIPTION
108548	OWNER'S MANUAL
601825	HONDA GXV160 ENGINE MANUAL

Note: When ordering parts, you must use the part number as shown for each part, not the index number. Always give the model and serial number to your parts and service representative.

Using this manual

Illustrations used were current at the time of printing, but subsequent production changes may cause your machine to vary slightly in detail. Excel Industries, Inc. reserves the right to redesign and change the machine as deemed necessary, without notification. If a change has been made to your machine which is not reflected in this parts manual, see your Hustler dealer for current information and parts.

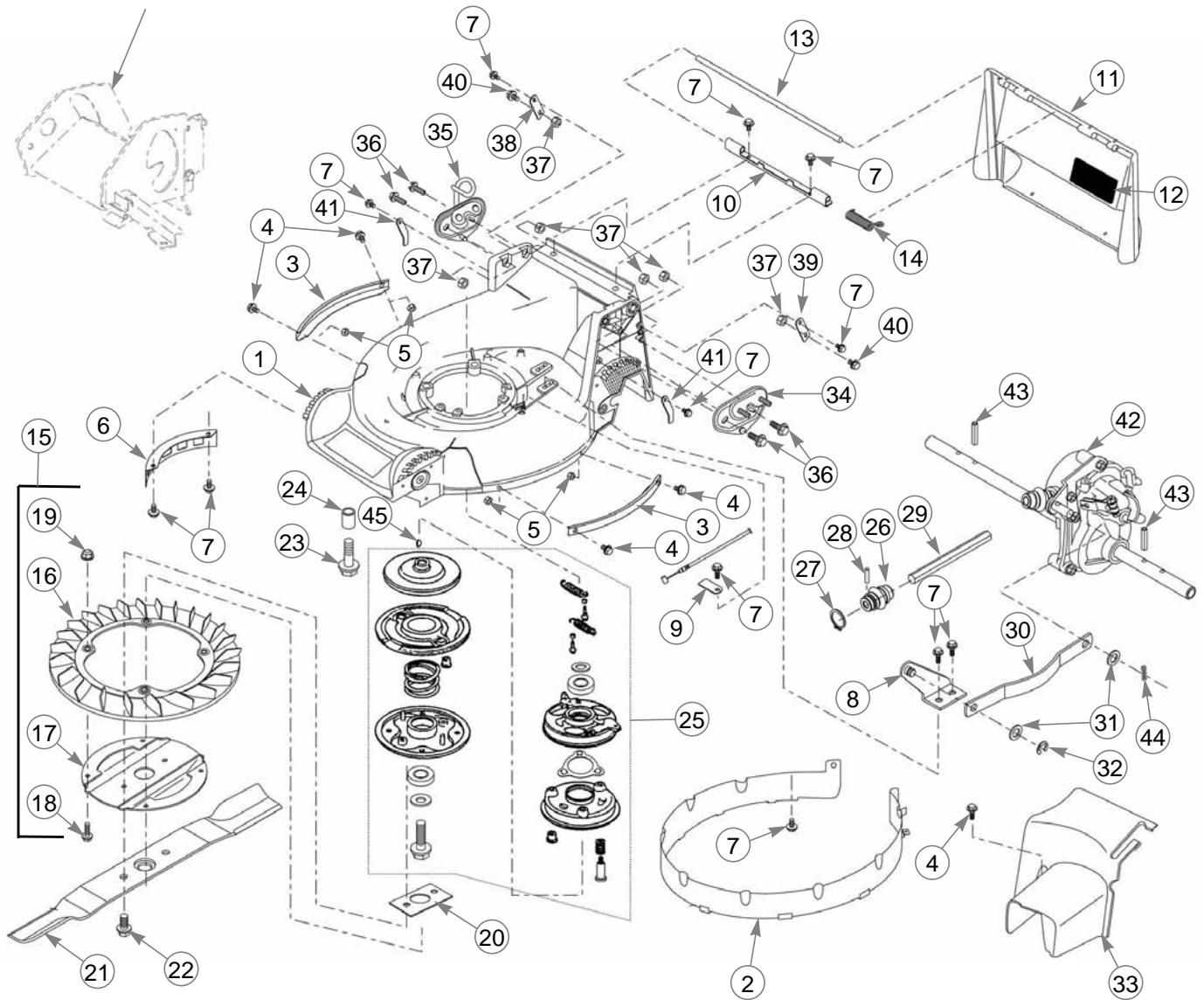
Standard Torques

The following chart lists the standard torque values for the threaded fasteners found in this manual. Torque all cap screws, nuts and set screws to these values unless a different torque is shown in the Notes section next to the fastener.

SIZE	FT-LBS	N-M	SIZE	FT-LBS	N-M
.250	8.2	11.1	M3	1	1.3
.312	17	23	M4	2.2	3
.375	30	40	M5	4.5	6.1
.438	48	65	M6	7.7	10.4
.500	73	99	M8	18.5	25
.562	105	143	M10	37	50
.625	145	200	M12	64	87
.750	260	350	M14	80	108.5
.875	420	565	M16	160	215
1.00	625	850	M20	320	435
			M24	555	750

Mower Deck Assembly

See "Cover Unit" on page 6-10.

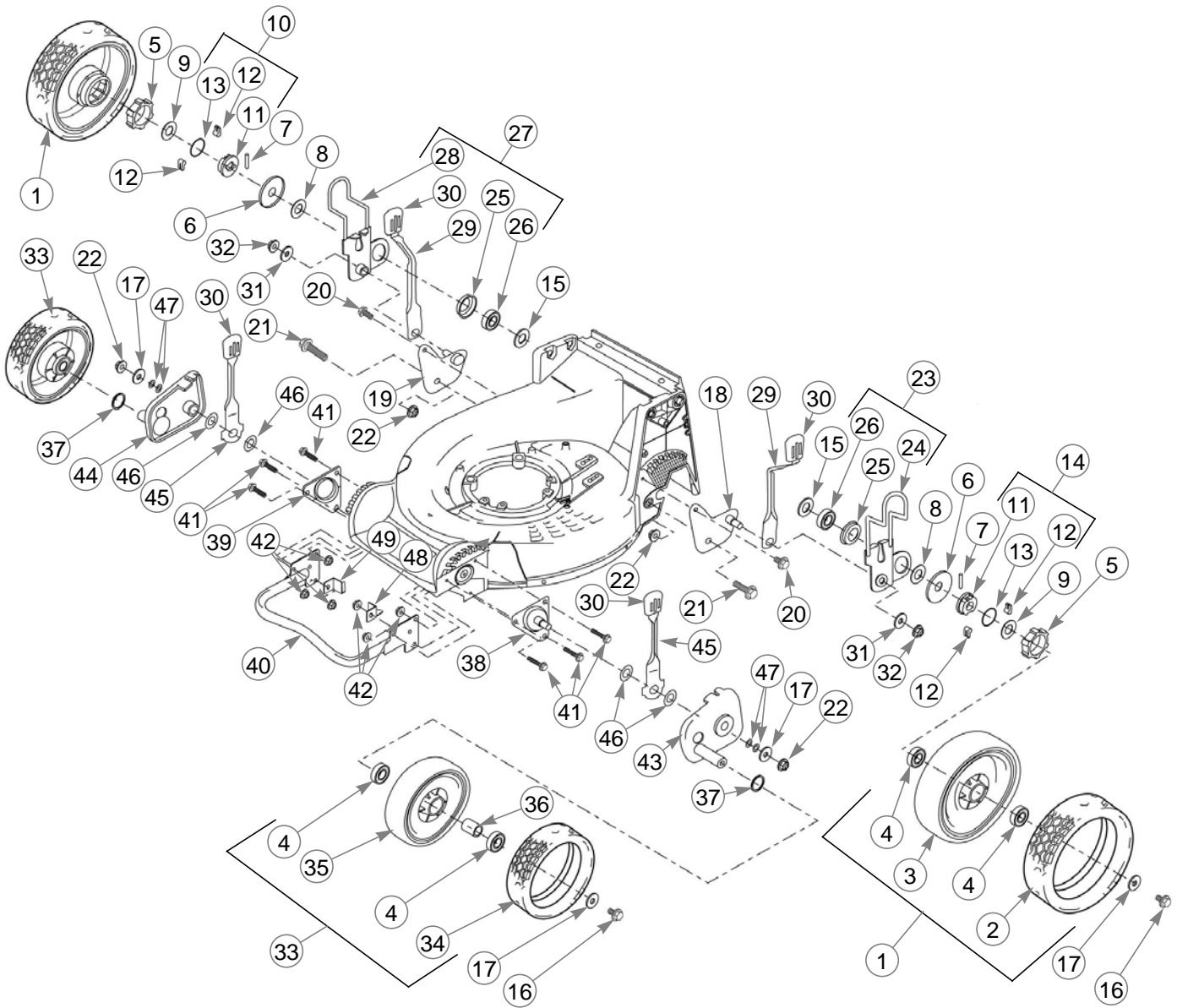


Mower Deck Assy

ITEM NO.	SERVICE PART NO.	QTY.	DESCRIPTION
1	51043-151-107	1	HOUSING MOWER DECK
2	36068-204	1	GUARD
3	51090-117-09	2	PROTECTOR
4	342L-0616	5	FLANGE BOLT
5	512L-0600	4	HEX NUT
6	36065-180	1	COVER
7	342L-0612	12	FLANGE TAPPING BOLT
8	11006-155	1	STAY C.P.
9	11113-407	1	STAY
10	11113-292	1	STAY
11	36068-196-49	1	GUARD REAR DOOR
12	36080-149	1	RUBBER SHEET
13	64014-324	1	SHAFT
14	68013-336	1	SPRING
15	71082-111	1	FAN ASSY (INCLUDES ITEMS 16-19)
16	51125-103	1	FAN
17	11102-151	1	HOLDER
18	31062-169	4	PRE-COAT LOCK BOLT
19	579L-0600	4	FLANGE BOLT
20	61024-208	1	SPACER
21	91014-189	1	BLADE STD M-1
22	31057-197	2	HEX BOLT
23	31057-243	4	HEX BOLT
24	61024-142	3	SPACER
25	71067-106	1	BRAKE ASSY
26	91097-101	1	UNIVERSAL JOINT
27	812V-2000	1	C-SNAP RING FOR SHAFT
28	717B-0418	1	PARALLEL PIN
29	64014-339	1	SHAFT
30	91049-129	1	CONNECTOR
31	68036-280	2	WASHER
32	816V-0800	1	E-SNAP RING
33	36065-438	1	COVER
34	51116-149	1	LEFT HANDLE BRACKET
35	51116-167	1	RIGHT HANDLE BRACKET
36	31057-255	4	HEX BOLT
37	512L-0800	4	HEX NUT
38	11113-429	1	RS STAY
39	11113-428	1	LS STAY
40	31057-181	2	HEX BOLT
41	11113-415	2	STAY
42	71008-431	1	GEAR CASE ASSY
43	711V-0522	2	SPRING PIN
44	733L-1000	1	SNAP PIN
45	94401-16150	1	WOODRUFF KEY

NOTES:

Wheel Breakdown

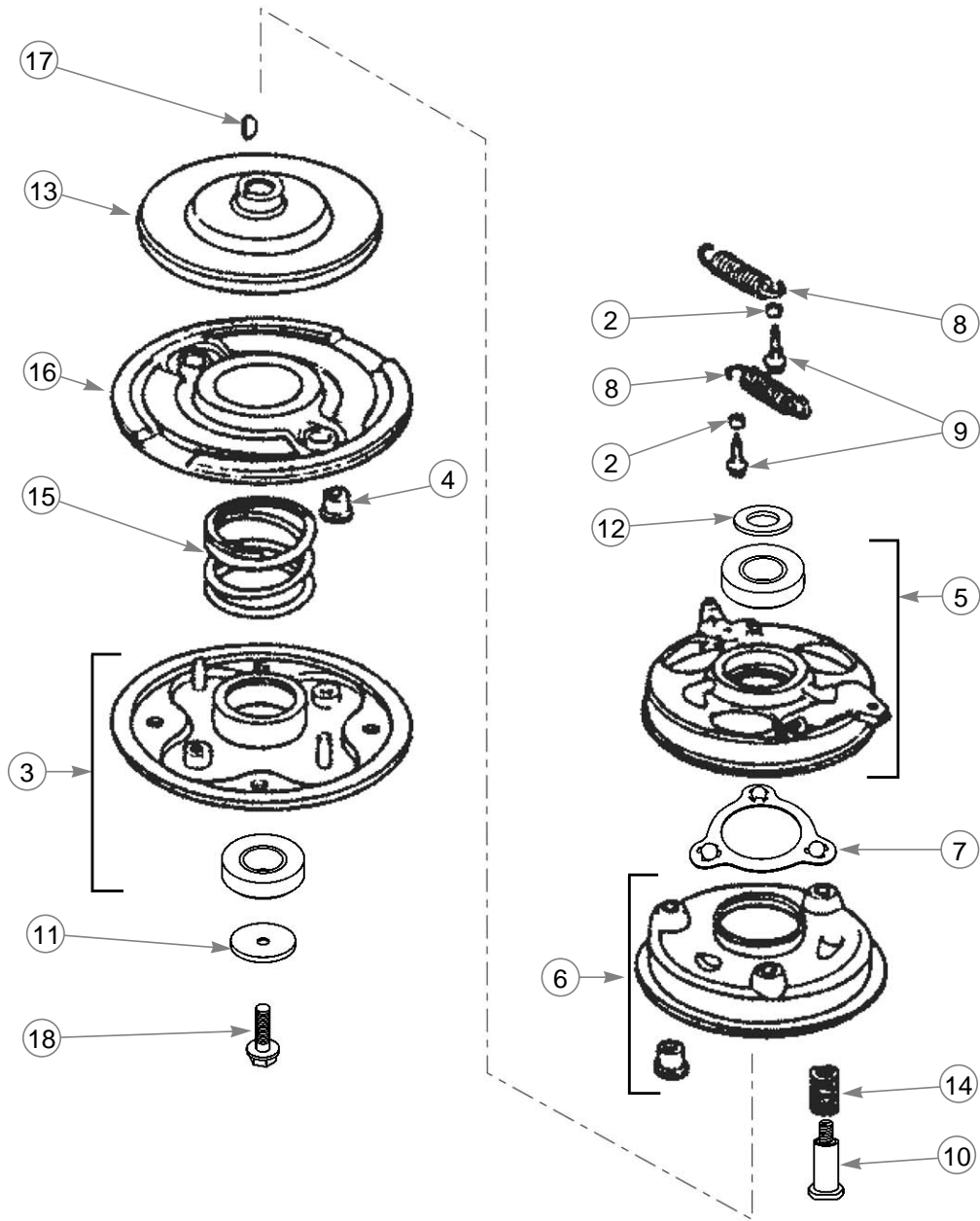


Wheel Breakdown

ITEM NO.	SERVICE PART NO.	QTY.	DESCRIPTION
1	71041-144	2	WHEEL ASSEMBLY (INCLUDES ITEMS 2-4)
2	N/A	2	TIRE—(NOT SERVICED SEPARATELY)
3	N/A	2	WHEEL—(NOT SERVICED SEPARATELY)
4	916B-6002	8	BEARING
5	11086-119	2	STOPPER
6	61003-112	2	THRUST PLATE
7	31034-137	2	PIN
8	68036-270	2	WASHER
9	68036-146	2	WASHER
10	71158-104	1	RATCHET ASSEMBLY RIGHT (INCLUDES ITEMS 11-13)
11	N/A	2	HOLDER—(NOT SERVICED SEPARATELY)
12	N/A	4	PIN—(NOT SERVICED SEPARATELY)
13	N/A	2	SPRING—(NOT SERVICED SEPARATELY)
14	71158-103	1	RATCHET ASSEMBLY LEFT (INCLUDES ITEMS 11-13)
15	68036-275	2	WASHER
16	31057-181	4	HEXAGON BOLT
17	68036-101	6	WASHER
18	11006-151	1	STAY C.P. REAR LEFT
19	11006-152	1	STAY C.P. REAR RIGHT
20	342L-0612	2	SELF-TAPPING FLANGE BOLT
21	31057-255	2	HEXAGON BOLT
22	584L-0800	4	U-FLANGE NUT
23	71122-110	1	LEFT ADJUSTER ASSY (INCLUDES ITEMS 24-26)
24	11142-125	1	ADJUSTER REAR LEFT
25	11102-228	2	HOLDER
26	916B-6202	2	BEARING
27	71122-111	1	RIGHT ADJUSTER ASSY (INCLUDES ITEMS 25, 26 AND 28)
28	11142-126	1	ADJUSTER REAR RIGHT
29	11150-105-09	1	ADJUST LEVER
30	36061-121	4	KNOB
31	613L-0800	2	WASHER
32	569L-0800	2	FLANGE NYLON NUT
33	71041-135	2	WHEEL ASSEMBLY (A.W.) (INCLUDES ITEMS 4, 34 AND 35)
34	N/A	2	TIRE—(NOT SERVICED SEPARATELY)
35	N/A	2	WHEEL—(NOT SERVICED SEPARATELY)
36	11083-332	2	COLLAR
37	51113-119	2	RING
38	11006-153	1	STAY C.P. FRONT LEFT
39	11006-154	1	STAY C.P. FRONT RIGHT
40	11153-114-102	1	BUMPER FRONT
41	335L-0625	6	FLANGE BOLT
42	569L-0600	6	FLANGE NYLON NUT
43	11142-129	1	ADJUSTER FRONT LEFT
44	11142-130	1	ADJUSTER FRONT RIGHT
45	11150-109-09	2	ADJUST LEVER
46	68013-393	4	SPRING
47	68007-105	A/R	SHIM
48	11113-418	1	STAY LEFT
49	11113-417	1	STAY RIGHT

NOTES:

Brake Assembly

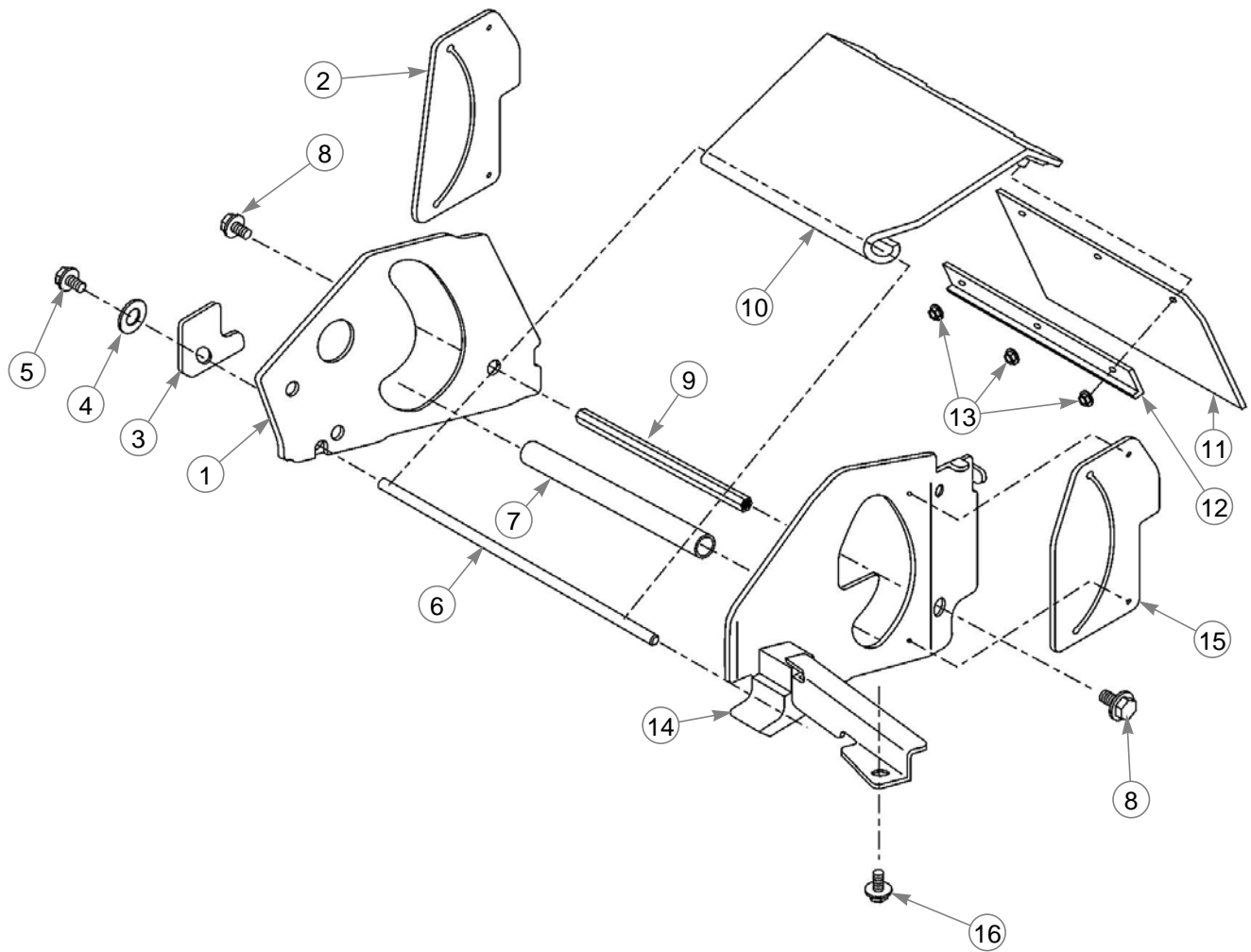


Brake Assembly

ITEM NO.	SERVICE PART NO.	QTY.	DESCRIPTION
1	71067-106	1	BRAKE ASSEMBLY
2	19512-883-000	2	FAN COLLAR
3	72600-va4-010	1	HOLDER ASSEMBLY
4	72613-va4-000	2	BLADE HOLDER BUSHING
5	75090-va4-030	1	CONTROL ASSEMBLY
6	75100-va4-010	1	BRAKE C.P.
7	75110-VA4-000	1	BALL RETAINER C.P.
8	75182-VA3-j00	2	CLUTCH RETURN SPRING
9	90014-952-000	2	FLANGE BOLT
10	90021-VA4-000	3	SPECIAL BOLT
11	90409-952-000	1	WASHER
12	90501-952-010	1	THRUST WASHER
13	75130-VA4-000	1	BRAKE DISK
14	75132-VA4-000	3	BRAKE HOLDER SPRING
15	75183-VA3-j00	1	CLUTCH SPRING
16	75150-VA3-j01	1	DRIVEN DISK C.P.
17	94401-16150	1	WOODRUFF KEY
18	90105-960-003	1	BOLT 10 X 25

NOTES:

Cover Unit

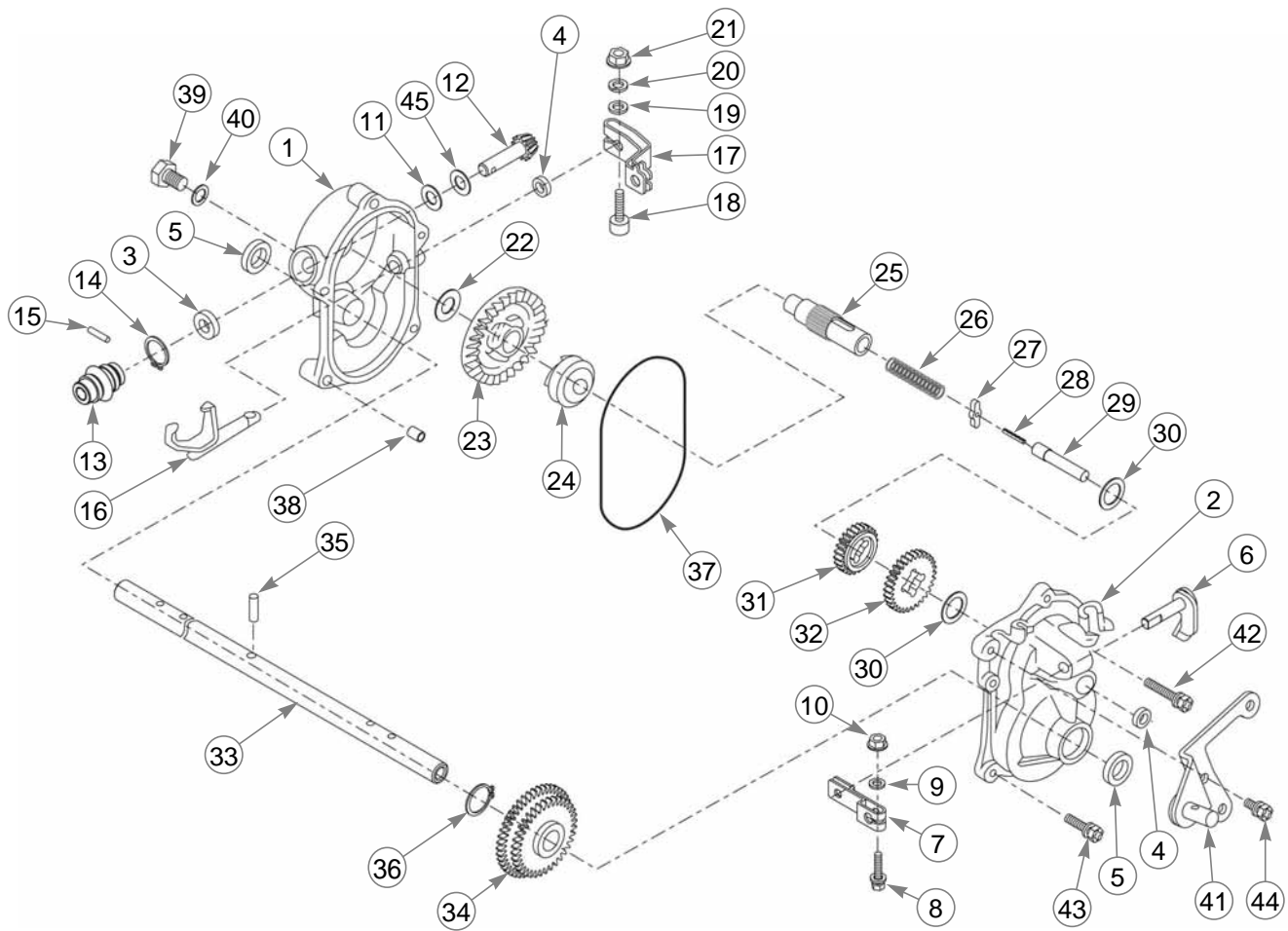


Cover Unit

ITEM NO.	SERVICE PART NO.	QTY.	DESCRIPTION
1	11006-166	1	STAY C.P.
2	36080-154	1	RUBBER SHEET
3	11113-420	1	STAY
4	613L-0800	1	PLAIN WASHER
5	423U-0812	1	SOCKET SCREW FLANGE
6	64014-373	1	SHAFT
7	11083-387	1	COLLAR
8	31057-181	2	HEXAGON BOLT
9	64014-374	1	SHAFT
10	51079-124	1	COVER C.P.
11	36080-153	1	RUBBER SHEET
12	11050-182	1	FIXING PLATE
13	569L-0400	3	FLANGE NYLON NUT
14	11006-167	1	STAY C.P.
15	36080-155	1	RUBBER SHEET
16	342L-0612	1	FLANGE TAPPING BOLT

NOTES:

Gear Case—71008-431

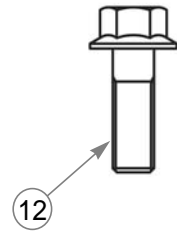
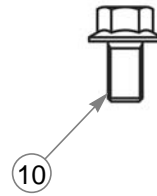
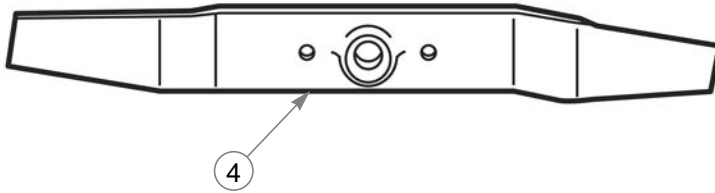
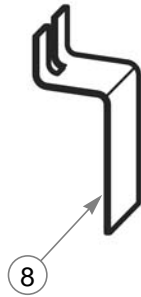
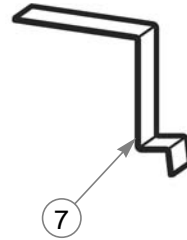
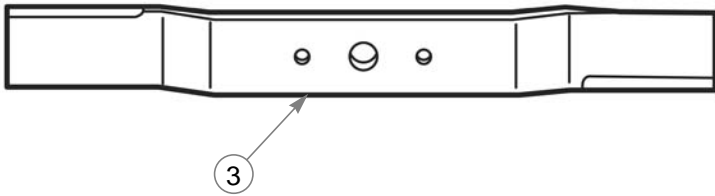
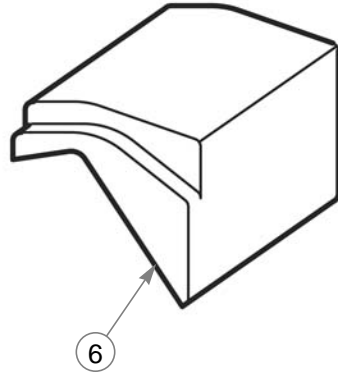
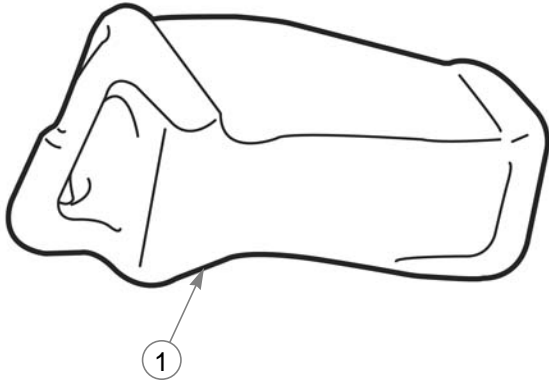


Gear Case—71008-431

ITEM NO.	SERVICE PART NO.	QTY.	DESCRIPTION
1	51001-195	1	GEAR CASE
2	51001-196	1	GEAR CASE
3	61002-161	1	OIL SEAL
4	61002-162	2	OIL SEAL
5	61002-163	2	OIL SEAL
6	64024-104	1	SHIFTER SHAFT
7	11104-119	1	ARM
8	320L-0525	1	HEXAGON BOLT
9	611L-0500	1	PLAIN WASHER
10	571L-0500	1	FLANGE NUT
11	61003-109	1	THRUST PLATE
12	71902-194	1	PINION
13	91097-101	1	UNIVERSAL JOINT
14	812V-2000	1	C-SNAP RING
15	717B-0418	1	PARALLEL PIN
16	11097-106	1	SHIFTER FORK
17	11104-137	1	ARM
18	419U-0630	1	SOCKET SCREW
19	611L-0600	1	PLAIN WASHER
20	661L-0600	1	SPRING LOCK WASHER
21	512L-0600	1	HEXAGON NUT
22	61024-117	1	SPACER
23	78001-162	1	BEVEL GEAR
24	11129-107	1	CLUTCH
25	64014-236	1	SHAFT
26	68013-262	1	SPRING
27	31034-199	1	PIN
28	736U-0320	1	SPRING PIN
29	64014-235	1	SHAFT
30	61024-118	2	SPACER
31	78004-156	1	GEAR
32	78004-155	1	GEAR
33	64014-344	1	SHAFT
34	78012-107	1	GEAR C.P.
35	31034-150	1	PIN
36	812V-2200	1	C-SNAP RING
37	214B-11000	1	O-RING
38	11083-201	2	COLLAR
39	31057-262	1	HEXAGON BOLT
40	68001-110	1	FIBER WASHER
41	11006-191	1	STAY C.P.
42	315L-0625	3	HEXAGON BOLT
43	315L-0635	2	HEXAGON BOLT
44	318L-0612	1	HEXAGON BOLT
45	68007-132	A/R	SHIM

NOTES:

Mulch Kit

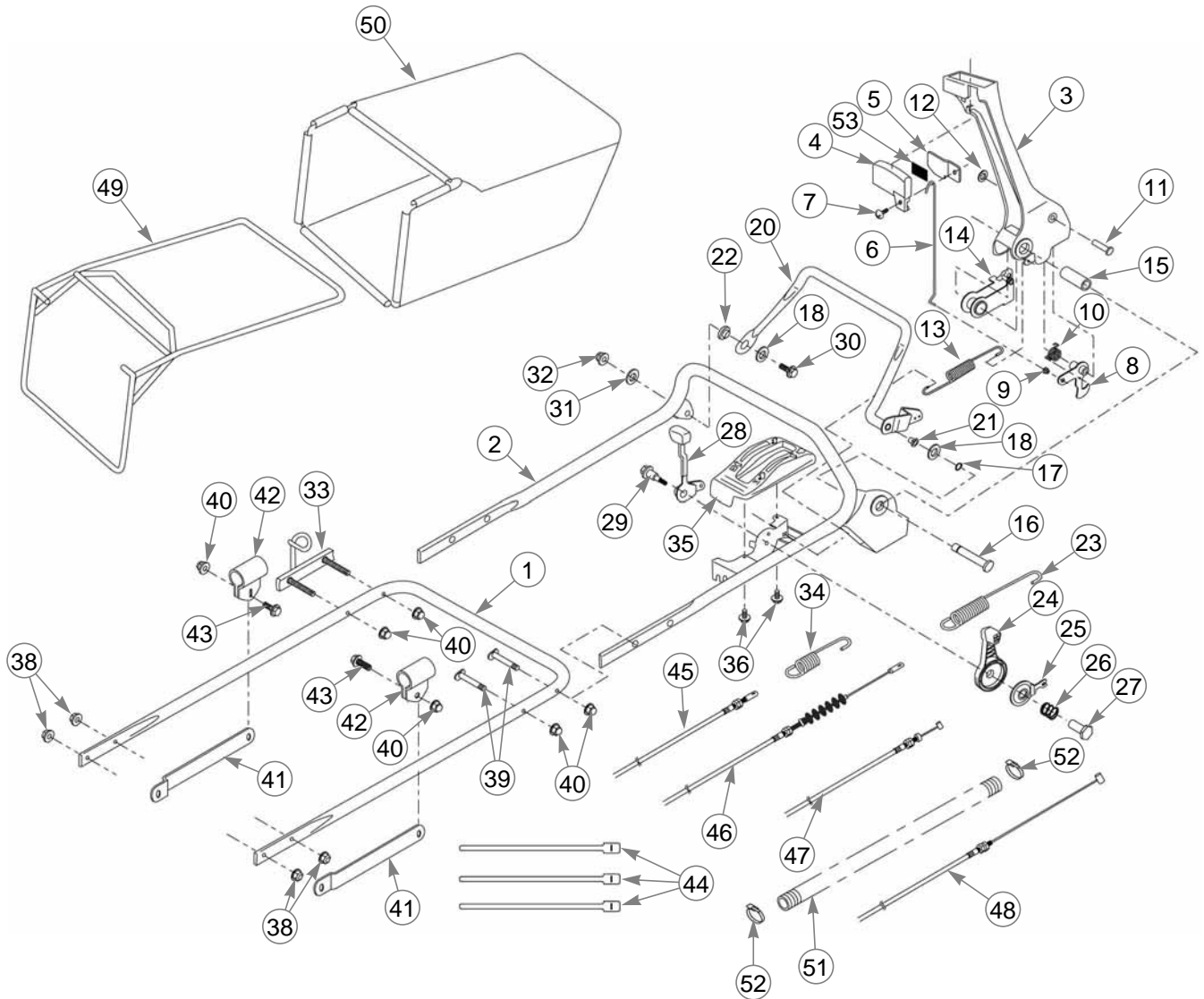


Mulch Kit

ITEM NO.	SERVICE PART NO.	QTY.	DESCRIPTION
1	31044-134	1	PLUG
2	71906-460	1	MULCH BLADE SET (NOT SHOWN; INCLUDES ITEMS 3 & 4)
3	N/A	1	BLADE—(NOT SERVICED SEPARATELY)
4	N/A	1	BLADE—(NOT SERVICED SEPARATELY)
5	71906-459	1	MULCH SPACER KIT (INCLUDES ITEMS 6–12)
6	61024-220	1	SPACER
7	11024-150	1	STAND
8	11086-198	1	STOPPER
9	71137-276	1	BOLT NUT SET (NOT SHOWN; INCLUDES ITEM 10)
10	335L-0610	1	M6 X 10 X 1.0 FLANGE BOLT
11	71137-247	1	BOLT NUT SET (NOT SHOWN; INCLUDES ITEM 12)
12	31057-220	2	M10 X 30 X 1.25 FLANGE BOLT

NOTES:

Handle, Levers & Catcher System

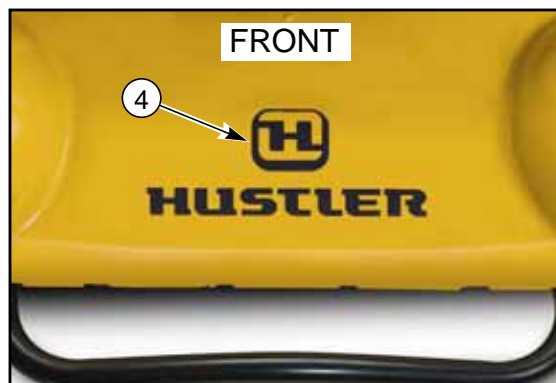
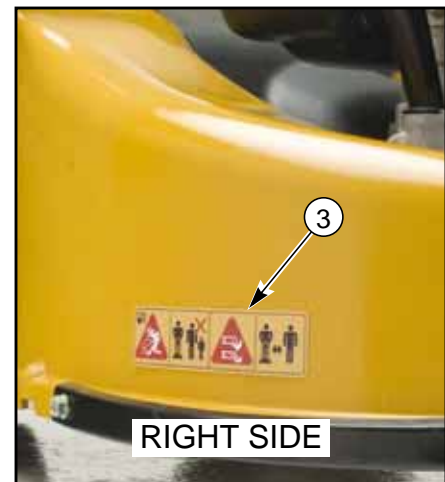


Handle, Levers & Catcher System

ITEM NO.	SERVICE PART NO.	QTY.	DESCRIPTION
1	51027-268-	1	HANDLE LOWER
2	51027-280-	1	HANDLE UPPER
3	11095-172	1	LEVER
4	36110-102	1	BUTTON
5	11049-109	1	SLIDE PLATE
6	64014-336	1	SHAFT
7	376L-0612	1	TRUSS SCREW
8	71203-135	1	ARM C.P.
9	76007-183	1	BUSHING
10	68013-371	1	SPRING
11	31056-127	1	GIB-HEADED PIN
12	576V-0600	1	PUSH NUT
13	68013-392	1	SPRING
14	11109-111	1	LINK
15	61023-190	1	SLEEVE
16	64014-337	1	SHAFT
17	812V-0800	1	C-SNAP RING
18	613L-0800	2	WASHER
19	71161-120-09	1	LEVER ASSEMBLY
20	N/A	1	LEVER (INCLUDES ITEMS 21 & 22)
21	76007-131	1	BUSHING
22	76007-191	1	BUSHING
23	68013-391	1	SPRING
24	91010-169	1	THROTTLE LEVER
25	61003-113	1	THRUST PLATE
26	68013-356	1	SPRING
27	31058-168	1	HEX NUT
28	11095-117	1	LEVER
29	31062-109	1	PRE-COAT LOCK BOLT
30	31057-281	1	HEX BOLT
31	68036-125	1	WASHER
32	563L-0600	1	U-HEX CAP NUT
33	71285-109	1	HOLDER C.P.
34	68013-161	1	SPRING
35	71900-796	1	COVER ASSEMBLY
36	470L-0514	2	TAPPING SCREW
37	71900-845	1	BOLT SET
38	569L-0800	4	FLANGE NYLON NUT
39	31057-256	2	HEX BOLT
40	583L-0800	6	FLANGE CAP NUT
41	71900-846	1	BAR SET
42	11012-132	2	HANGER BAND
43	31057-181	2	HEX BOLT
44	68028-118	3	WIRE BAND
45	91003-125	1	CONTROL CABLE SPD
46	91003-180	1	CONTROL CABLE DRV
47	91001-329	1	THROTTLE WIRE
48	91003-169	1	CONTROL CABLE BBC
49	11062-178	1	FRAME C.P.
50	36098-155	1	GRASS BAG C.P.
51	41003-201	1	TUBE
52	68028-119	2	WIRE BAND
53	36080-156	1	RUBBER SHEET

NOTES:

Decals



Decals

ITEM NO.	SERVICE PART NO.	QTY.	DESCRIPTION
1	601956	1	M-1 SAFE OPERATION DECAL
2	601949	1	M-1 DANGER DECAL
3	601957	2	M-1 DECK WARNING DECAL
4	601955	1	M-1 HUSTLER LOGO DECAL

NOTES:

1. 602887 (DECAL SET, KAAZ DECK) includes item numbers 1–4.
- 2.

INDEX

	PAGE		PAGE
108548	6-3	11142-130	6-7
11006-151	6-7	11150-105	6-7
11006-152	6-7	11150-109-09	6-7
11006-153	6-7	11153-114-102	6-7
11006-154	6-7	19512-883-000	6-9
11006-155	6-5	214B-11000	6-13
11006-157	6-13	31034-137	6-7
11006-166	6-11	31034-150	6-13
11006-167	6-11	31034-171	6-13
11012-132	6-17	31044-134	6-15
11024-150	6-15	31056-127	6-17
11049-109	6-17	31057-181	6-5, 6-7, 6-11, 6-17
11050-182	6-11	31057-197	6-5
11062-178	6-17	31057-220	6-15
11083-201	6-13	31057-243	6-5
11083-332	6-7	31057-255	6-5, 6-7
11083-387	6-11	31057-256	6-17
11086-119	6-7	31057-262	6-13
11086-198	6-15	31057-281	6-17
11095-117	6-17	31058-168	6-17
11095-172	6-17	31062-109	6-17
11097-106	6-13	31062-169	6-5
11102-126	6-7	315L-0625	6-13
11102-151	6-5	315L-0635	6-13
11102-228	6-7	318L-0612	6-13
11104-119	6-13	320L-0525	6-13
11104-137	6-13	335L-0610	6-15
11109-111	6-17	335I-0625	6-7
11113-292	6-5	342L-0612	6-5, 6-7, 6-11
11113-407	6-5	342L-0616	6-5
11113-408	6-5	36061-121	6-7
11113-415	6-5	36065-180	6-5
11113-417	6-7	36065-438	6-5
11113-418	6-7	36068-196-49	6-5
11113-420	6-11	36068-204	6-5
11129-107	6-13	36080-149	6-5
11142-125	6-7	36080-153	6-11
11142-129	6-7	36080-154	6-11

INDEX

	PAGE		PAGE
36080-155	6-11	61002-162	6-13
36080-156	6-17	61002-163	6-13
36098-155	6-17	61003-109	6-13
36110-102	6-17	61003-112	6-7
376L-0612	6-17	61003-113	6-17
41003-201	6-17	61023-190	6-17
419U-0630	6-13	61024-117	6-13
423U-0812	6-11	61024-118	6-13
470L-0514	6-17	61024-142	6-5
51001-195	6-13	61024-208	6-5
51001-196	6-13	61024-220	6-15
51027-268-103	6-17	611L-0500	6-13
51027-280-103	6-17	611L-0600	6-13
51043-151-107	6-5	613L-0800	6-11, 6-17
51079-124	6-11	613I-0800	6-7
51090-117-09	6-5	64014-235	6-13
51113-119	6-7	64014-236	6-13
51116-149	6-5	64014-324	6-5
51116-167	6-5	64014-336	6-17
51125-103	6-5	64014-337	6-17
512L-0600	6-5, 6-13	64014-339	6-5
512L-0800	6-5	64014-344	6-13
563L-0600	6-17	64014-373	6-11
569L-0400	6-11	64014-374	6-11
569I-0600	6-7	64024-104	6-13
569L-0800	6-17	661L-0600	6-13
569I-0800	6-7	68001-110	6-13
571L-0500	6-13	68007-105	6-7
576V-0600	6-17	68007-132	6-13
579L-0600	6-5	68013-161	6-17
583L-0800	6-17	68013-262	6-13
584L-0800	6-7	68013-336	6-5
601825	6-3	68013-356	6-17
601949	6-19	68013-371	6-17
601955	6-19	68013-391	6-17
601956	6-19	68013-392	6-17
601957	6-19	68013-393	6-7
61002-161	6-13	68028-118	6-17

INDEX

	PAGE		PAGE
68028-119	6-17	75182-VA3-j00	6-9
68036-101	6-7	75183-VA3-j00	6-9
68036-125	6-17	76007-131	6-17
68036-146	6-7	76007-183	6-17
68036-270	6-7	76007-191	6-17
68036-275	6-7	78001-162	6-13
68036-280	6-5	78003-130	6-13
71008-377	6-5	78004-155	6-13
71041-135	6-7	78004-156	6-13
71041-144	6-7	78012-107	6-13
71067-106	6-5, 6-9	812V-0800	6-17
71082-111	6-5	812V-2000	6-5, 6-13
71122-110	6-7	812V-2200	6-13
71122-111	6-7	816V-0800	6-5
71137-247	6-15	90014-952-000	6-9
71137-276	6-15	90021-VA4-000	6-9
71158-103	6-7	90105-960-003	6-9
71158-104	6-7	90409-952-000	6-9
71161-120-09	6-17	90501-952-010	6-9
711V-0522	6-5	91001-329	6-17
71203-135	6-17	91003-125	6-17
71285-109	6-17	91003-169	6-17
717B-0418	6-5, 6-13	91003-180	6-17
71900-796	6-17	91010-169	6-17
71900-845	6-17	91014-189	6-5
71900-846	6-17	91049-129	6-5
71906-459	6-15	91097-101	6-5, 6-13
71906-460	6-15	916B-6002	6-7
72600-VA4-010	6-9	916B-6202	6-7
72613-VA4-000	6-9	929208	6-3
733L-1000	6-5	94401-16150	6-5, 6-9
736U-0320	6-13	Assembly	4-3
75090-VA4-030	6-9	Blade lever adjustment	5-4
75100-VA4-010	6-9	Children	4-2
75110-VA4-000	6-9	Drive clutch lever	5-4
75130-VA4-000	6-9	Engine air filter	5-3
75132-VA4-000	6-9	Engine oil and filter	5-2
75150-VA3-j01	6-9	Fuel system	5-2

INDEX

	PAGE		PAGE
Gearshift lever	5-5	Safe Servicing Practices	5-1
General engine maintenance	5-3	Safety and Instruction Decals	3-1
Hustler M-1 Maintenance Schedule	5-6	Service	5-1
Maintenance & Adjustments Introduction	5-1	Slope Operation	4-2
Model and serial number	1-1	Throttle lever adjustment	5-4
Mower blade maintenance	5-3	To the new owner	1-1
New season preparation	5-7	Torque values	5-2
Operation	4-8	Transporting the mower	4-11
Operation Precautions	4-1	Troubleshooting	5-6
Parts and service	1-1	Using this manual	1-1
Preparation of engine for storage	5-7	Warranty registration	1-1
Safe Operating Practices	4-1	Washing the mower	5-2

