

1 This box contains

No.	Name	Quantity
1	Viet TV	1
2	Remote control	1
3	Power adapter	1
4	HDMI & AV cables	1
5	User's Guide	1

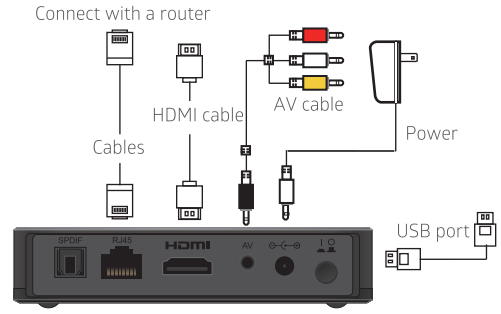
2 How to use the remote control



- Power:** Turn on, Turn off
- Mute:** Silence the sound
- Vol +:** Increase volume
- Vol -:** Decrease volume
- Last:** Previous Channel
- FAV:** Favorites
- Menu:** Option list
- Back:** Return to the previous screen
- TV:** TV Channels
- Film:** Movies list
- Home:** Back to home
- Set:** Settings
- Info:** Information
- Mouse:** On/ Off the mouse functionality

[Note] Some applications need to use an optical mouse.

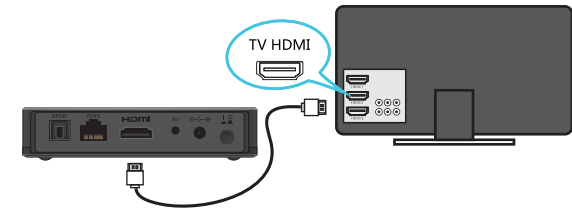
3 Connection ports



4 Connecting the box to TV

1. Use a HDMI cable to connect the box to the TV (recommended)

B1. Connect the Viet TV to the TV by connecting the HDMI cable to the HDIM-in port on the TV



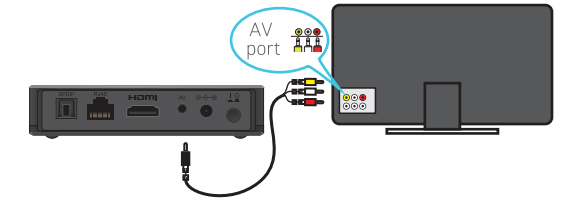
B2. Switch the signal source from TV to HDMI

B3. Power up the box

[Note] Please note that only perform this task when the box has been powered off. Do not remove the HDMI cable while the box power is on.

2. Connecting the box and the TV with the AV cable

B1. Connect one end of the AV cable (red, white, yellow) to the AV sockets on the TV. Connect the other end to the Viet TV



B2. Switch the signal source to AV

B3. Power up the box

[Note] Do not connect the HDMI and AV cables to the box simultaneously. If you have not used the HDMI for some time, try to plug in and unplug a couple of times to get better TV signals.

5 Connecting the box to the Internet

1. LAN Cable connection

Connect the LAN cable with the Viet TV. The box will automatically recognize the IP address.

2. Wifi connection

Step 1. Enter Settings -> Select Wireless Network

Step 2. Select Wifi -> Turn on

Step 3. Select a Wifi Network

[Note] The LAN connection will not work when you use a Wifi connection

6 Contact Us

If you have any issues settings up your Viet TV, please contact us:

Viet TV

Fanpage: facebook.com/viettvbox

Website: viettv.co

Email: support@viettv.co

Return and Exchange Policy

The Viet TV (the Device) carries a one year limited manufacturer's warranty from the purchase date.

The manufacturer warrants the Device against defects and workmanship under normal usage. This warranty does not apply to water damage, unauthorized manipulation of the Device, normal wear and tear, not follow the instructions to set up and operate the Device, and negligence. When the conditions are met, we will repair or replace with a new Device.

The Device must be returned in the original conditions with no damages. It must include all the original components in the original packaging.

If you purchase the Device from a store, please return it to the store where you purchased.

This equipment has been tested and found to comply with the limits for a Class B digital device, pursuant to Part 15 of the FCC Rules. These limits are designed to provide reasonable protection against harmful interference in a residential installation. This equipment generates uses and can radiate radio frequency energy and, if not installed and used in accordance with the instructions, may cause harmful interference to radio communications. However, there is no guarantee that interference will not occur in a particular installation. If this equipment does cause harmful interference to radio or television reception, which can be determined by turning the equipment off and on, the user is encouraged to try to correct the interference by one of the following measures:

- Reorient or relocate the receiving antenna.
- Increase the separation between the equipment and receiver.
- Connect the equipment into an outlet on a circuit different from that to which the receiver is connected.
- Consult the dealer or an experienced radio/TV technician for help.

FCC Caution: Any changes or modifications not expressly approved by the party responsible for compliance could void the user's authority to operate this equipment.

IMPORTANT NOTE:

FCC Radiation Exposure Statement:

This equipment complies with FCC radiation exposure limits set forth for an uncontrolled environment.

This equipment should be installed and operated with minimum distance 20cm between the radiator & your body.



Product manuals
VIET TV BOX

