

## EXHIBIT 3

### INSTRUCTION MANUAL

Appendix A is a preliminary copy of the user's manual for the EF Keyless Entry device. The informations to the user required by the FCC rules section 15.21 and 15.105 are included in the front page of the manual.

APPENDIX A

USER'S GUIDE

# KEYLESS ENTRY

USER'S GUIDE

EF

 **HYUNDAI**

## Federal Communications Commission Requirements

Warning : 'CHANGES OR MODIFICATIONS NOT EXPRESSLY APPROVED BY THE PARTY RESPONSIBLE FOR COMPLIANCE WITH THE FCC'S RULES(THE FCC 'GRANTEE') COULD VOID THE USER'S AUTHORITY TO OPERATE THE EQUIPMENT.'

---

Because of the limited space on the model EF transmitter case, the notice of compliance with FCC Rules is printed here :

FCC ID : CKLEFRX

THIS DEVICE COMPLIES WITH PARTS 15 OF THE FCC RULES.  
OPERATION IS SUBJECT TO THE FOLLOWING TWO CONDITIONS :  
(1) THIS DEVICE MAY NOT CAUSE HARMFUL INTERFERENCE,  
AND (2) THIS DEVICE MUST ACCEPT ANY INTERFERENCE  
RECEIVED, INCLUDING INTERFERENCE THAT MAY CAUSE  
UNDESIREED OPERATION.

---

Note : This equipment has been tested and found to comply with the limits for a Class B digital devices, pursuant to part 15 of the FCC Rules. These limits are designed to provide reasonable protection against harmful interference in a residential installation. This equipment generates, uses and can radiate radio frequency energy and, if not installed and used in accordance with the instructions, may cause harmful interference to radio communications. However, there is no guarantee that interference will not occur in a particular installation. If this equipment does cause harmful interference to radio or television reception, which can be determined by turning the equipment off and on, the user is encouraged to try to correct the interference by one or more of the following measures:

- Reorient or relocate the receiving antenna.
- Increase the separation between the equipment and receiver
- Connect the equipment into an outlet on a circuit different from that to which the

KEYLESS ENTRY SYSTEMUSER'S MANUAL FOR KEYLESS ENTRY SYSTEM(RECEIVER)

## 1. APPLICATIONS FOR THE KEYLESS ENTRY SYSTEM

THIS KEYLESS ENTRY SYSTEM IS AVAIVABLE TO THE VEHICLE WHICH EQUIPED THE ETACS(ELECTRONIC TIME & ALARM CONTROL SYSTEM UNIT) WITHIN CENTRAL DOOR LOCKING SYSTEM

## 2. DESCRIPTION OF THE KEYLESS ENTRY SYSTEM

THIS SYSTEM IS CONSIST OF TX(TRANSMITTER) AND RX(RECEIVER), AND IT IS CONTROL SYSTEM FOR THE VEHICLE OF THE DOOR LOCK/UNLOCK THROUGH THE ETACS WHEN MATCHING THE TX UNIT CODE WITH SAVED CODE OF RX UNIT.

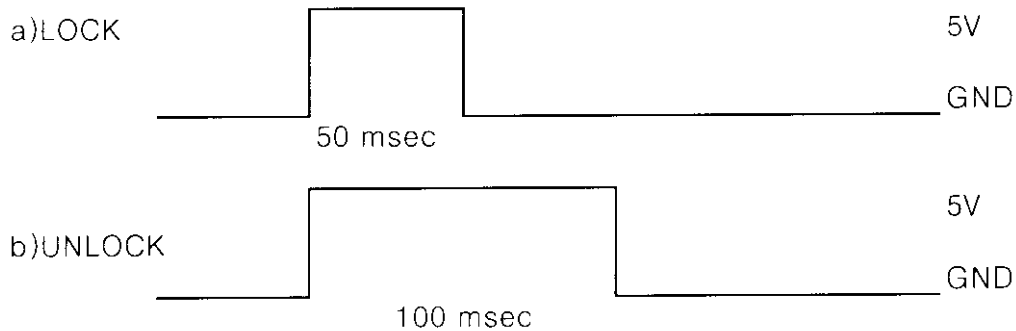
## 3. BASIC FUNCTIONS

SYSTEM IS DESIGNED TO OPERATE THE DOOR LOCL/UNLOCK BY THE SECURITY CODE

a) DOOR LOCK

b) DOOR UNLOCK

## SIGNAL OUTPUT PATTERN



## 4. RX UNIT ID CODE MEMORY.

SAVE MODE.

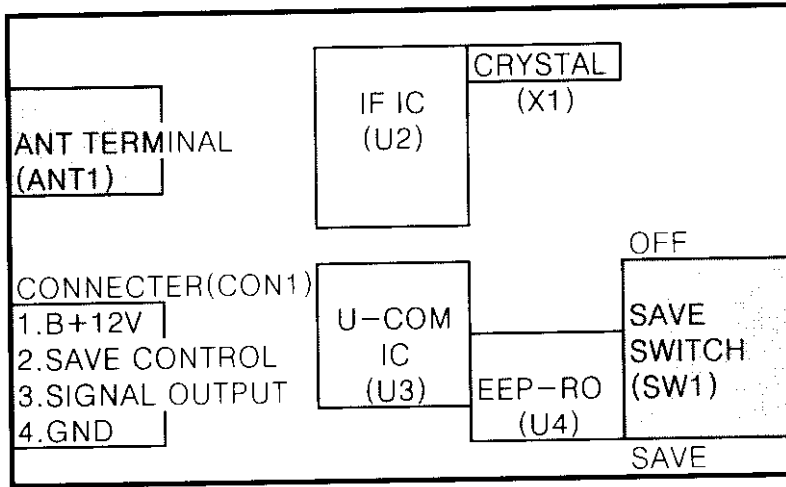
UNDER CONDITION OF POWER ON OF RX UNIT , AND MOVE TO "SAVE" POSITION OF THE SAVE SLIDE SWITCH, AND PRESS THE TX BUTTON TO SAVE CODE , AFTER THAT MOVE TO OFF POSITION OF THE RX SAVE SLIDE SWITCH ,AND THEN COMPLETE THE CODE SAVING.

KEYLESS ENTRY SYSTEM

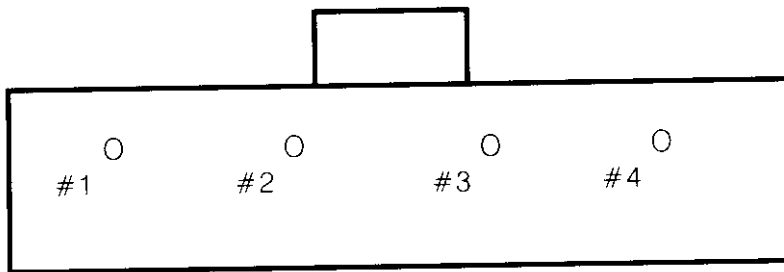
USER'S MANUAL FOR KEYLESS ENTRY SYSTEM(RECEIVER)

5. LAYOUT COMPONENT OF RX UNIT

(TOP VIEW)



6. CONNECTOR PIN CONFIGURATION OF RX UNIT(CON1)



\* PIN DESCRIPTION

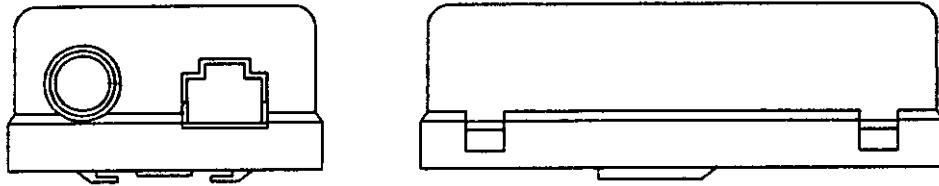
- .1 PIN: VCC(12V)
- .2 PIN: SAVE CONTROL(FOR JIG)
- .3 PIN: SIGNAL OUTPUT
- .4 PIN: GND

## KEYLESS ENTRY SYSTEM

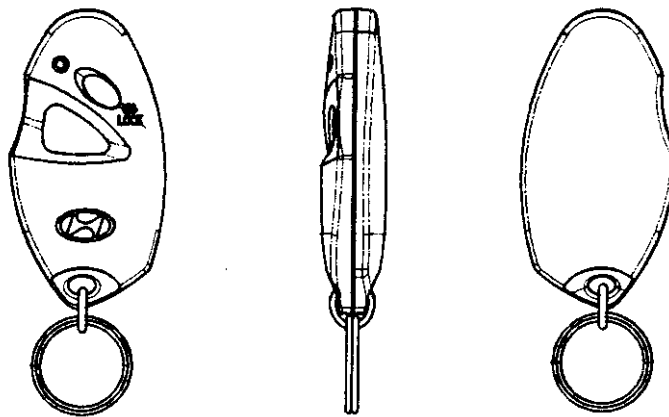
SYSTEM COMPONENTS LIST FOR KEYLESS ENTRY SYSTEM

NO	NAME	PART NUMBER	Q'ty	REFERENCES
1	MAIN RX UNIT(RECEIVER) 315MHz	S02809022	1	
2	REMOCON(TRANSMITTER) 315MHz	S022809024	1	
3	RX ANTENNA'ssy	3571600029	1	

## 1. RX RECEIVER



## 2. TX TRANSMITTER



## 3. RX ANTENNA'ssy

