

## **ATTACHMENT E.**

### **- USER'S MANUAL -**



Type No. L17A0D083

**ImageQuest L17T**  
TFT LCD Color Monitor  
**User's Guide**



▼ Click

**HYUNDAI**  
[www.hyundaiQ.com](http://www.hyundaiQ.com)

# U.S.A.

## U.S.FEDERAL COMMUNICATIONS COMMISSION RADIO FREQUENCY INTERFERENCE STATEMENT INFORMATION TO THE USER

NOTE : This equipment has been tested and found to comply with the limits for a Class B digital device pursuant to Part 15 of the FCC Rules.

These limits are designed to provide reasonable protection against harmful interference in a residential installation.

This equipment generates, uses, and can radiate radio frequency energy and, if not installed and used in accordance with the instructions, may cause harmful interference to radio communications.

However, there is no guarantee that interference will not occur in a particular installation.

If this equipment does cause harmful interference to radio or television reception, which can be determined by turning the equipment off and on, the user is encouraged to try to correct the interference by one or more of the following measures:

- Reorient or relocate the receiving antenna.
- Increase the separation between the equipment and receiver.
- Connect the equipment into an outlet of a circuit different from that to which the receiver is connected.
- Consult the dealer or an experienced radio/TV technician for assistance.

Changes or modification not expressly approved by the party responsible for compliance could void the user's authority to operate the equipment.

Connecting of peripherals requires the use of grounded shielded signal cables.

# DECLARATION OF CONFORMITY

WE **ImageQuest CO., LTD.**  
**Ami-ri Bubal-Eub Ichon-Si Kyungki-Do**  
**467-860 KOREA**

declare under our sole responsibility that the product:

**Kind of equipment : COLOR MONITOR**

**Type-Designation : L17A0D083**

to which this declaration relates is in conformity with the following standard(s) or other normative document(s)

**Safety : EN 60950 : 2000**  
**EMC : EN 55022 : 1998, EN 55024 : 1998**  
**EN 61000-3-2 : 1995+A1 : 1998+A2 : 1998**  
**EN 61000-3-3 : 1995**

following the provisions of the Low Voltage Directive 73/23/EEC, 93/68/EEC and the EMC Directive 89/336/EEC.

**Accredited testlaboratory:**  
**TÜV Rheinland**  
**Am Grauen Stein**  
**51105 Köln**

**KOREA / April. 24, 2003**  
*(Place and date of issue)*

**HONG KI, KIM**  
*(Name and signature of authorized person)*



## Contents

<b>1. Introduction</b>	<b>1/21</b>
<b>2. Safety Information</b>	<b>1/21</b>
<b>3. Installing the monitor</b>	<b>4/21</b>
3-1. Packing List	4/21
3-2. Selecting a suitable location	5/21
3-3. Connecting the monitor	5/21
3-4. Setting the refresh rate	8/21
Preset Timing Table	9/21
3-5. User's Environment	10/21



<b>4. Adjusting the picture</b>	<b>12/21</b>
4-1. Using the On Screen Display	13/21
4-2. Direct access buttons	13/21
4-3. OSD Adjustments	14/21
<b>5. Display power management</b>	<b>17/21</b>
Reducing power consumption	17/21
<b>6. Troubleshooting</b>	<b>18/21</b>
<b>7. Specifications</b>	<b>21/21</b>



## 1. Introduction

This manual contains instructions for installing and operating ImageQuest L17T.

ImageQuest L17T is a highly ergonomic color display unit.

- 17" viewable SXGA LCD
- High quality screen re-scaling capability
- 100-240V AC input voltage
- VESA DPMS (Display Power Management Signaling)
- VESA DDC1/2B compatibility
- Advanced digital On-Screen-Display controls
- Fast and accurate auto adjustment
- Most advanced image scaling
- Supporting VESA Flat Panel Monitor Physical Mounting Interface

## 2. Safety Information

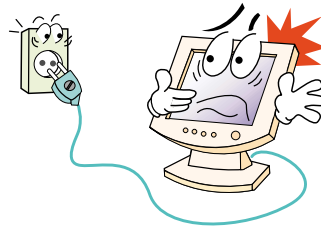
This Monitor has been engineered and manufactured to assure your safety. You can prevent serious electrical shock and other hazards by keeping in mind the following:



Do not place anything wet on the monitor or the power cord. Never cover the ventilation openings with any material and never touch them with metallic or inflammable materials.

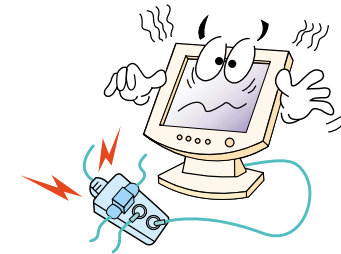
# L17T 17" TFT LCD Color Monitor

Avoid operating the monitor in extreme heat, humidity or areas affected by dust.  
Temperature : 5~35°C  
Humidity : 30~80RH



Be sure to turn the monitor off before plugging the power cord into the socket. Make sure that the power cord and the other cords are securely and rightly connected.

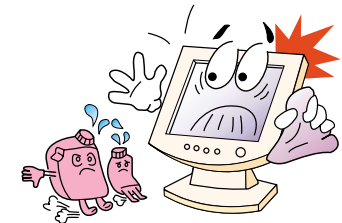
Overloaded AC outlets and extension cords are dangerous, as are frayed power cords and broken plugs, which may cause electric shock or fire. Call your service technician for replacement.



Do not use sharp tools such as a pin or a pencil near the monitor, as they may scratch the LCD surface.



Do not use a solvent, such as benzene, to clean the monitor, as it will damage the LCD surface.



# L17T 17" TFT LCD Color Monitor

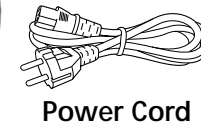
## Cleaning and Maintenance

- To avoid risk of electric shock, do not disassemble the display unit cabinet. The unit is not user-serviceable. Remember to unplug the display unit from the power outlet before cleaning.
- Do not use alcohol (methyl, ethyl or isopropyl) or any strong dissolvent. Do not use thinner or benzene, abrasive cleaners or compressed air.
- Do not wipe the screen with a cloth or sponge that could scratch the surface.
- To clean your antistatic screen, use water and a special microfiber screen cleaning tissue used in optical lens cleaning, or lightly dampen a soft, clean cloth with water or a mild detergent.
- If the instructions above do not help in removing stains, contact an authorized service agent.

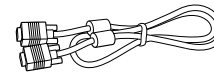


## 3. Installing the monitor 3-1. Packing List

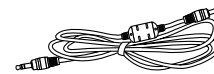
The following items should be found in the packaging.



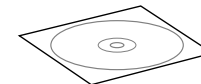
Power Cord



Signal Cable



Audio Cable



Compact Disc



UK



Japan



America/Canada



Europe



South Africa



Australia



Korea



Above power cord can be changed upon different voltage areas. Please contact your dealer if anything is missing or damaged.

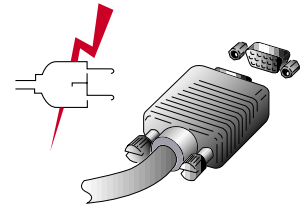
Other power cord except the cord packed in the product or longer than 3m may affect EMC of the product in operating condition.

### 3-2. Selecting a suitable location

- Place the monitor at least 30cm from other electrical or heat-emitting equipment and allow at least 10cm on each side for ventilation.
- Place the monitor in a position where no light shines directly onto or is reflected on the screen.
- To reduce eye strain, avoid installing the display unit against a bright background such as a window.
- Position the monitor so that the top of the screen is no higher than eye level.
- Position the monitor directly in front of you at a comfortable reading distance (around 45 to 90cm)

### 3-3. Connecting the monitor

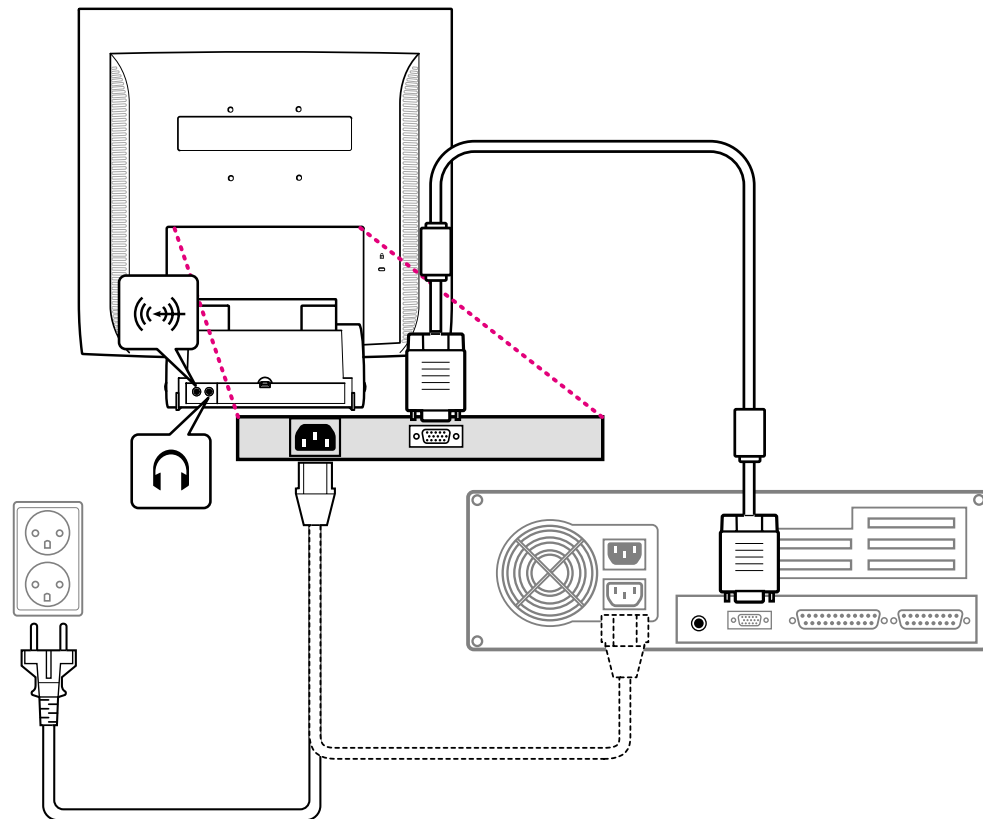
- !** Before you start cabling your monitor, check that the power is off on all units. To avoid any possibility of electric shock, always connect your equipment to properly earthed outlets.



1. Insert the other 15-pin signal cable connector into the 15-pin VGA connection on your computer and screw it down.
2. Plug the power cord connection to connection on the monitor.
3. Plug the other end of the power cord to your computer's main supply or to a 100V-240V earthed electrical outlet.
4. Turn on the monitor using the power switch and check that the power LED is on. If not, repeat steps 1,2,3 and 4 or refer to the Troubleshooting section of this guide.

# L17T 17" TFT LCD Color Monitor

5. Turn on the power to the computer. The picture will appear within about 10 seconds. Adjust the picture to obtain optimum picture quality. See section [Adjusting the picture](#) in this guide for more information.



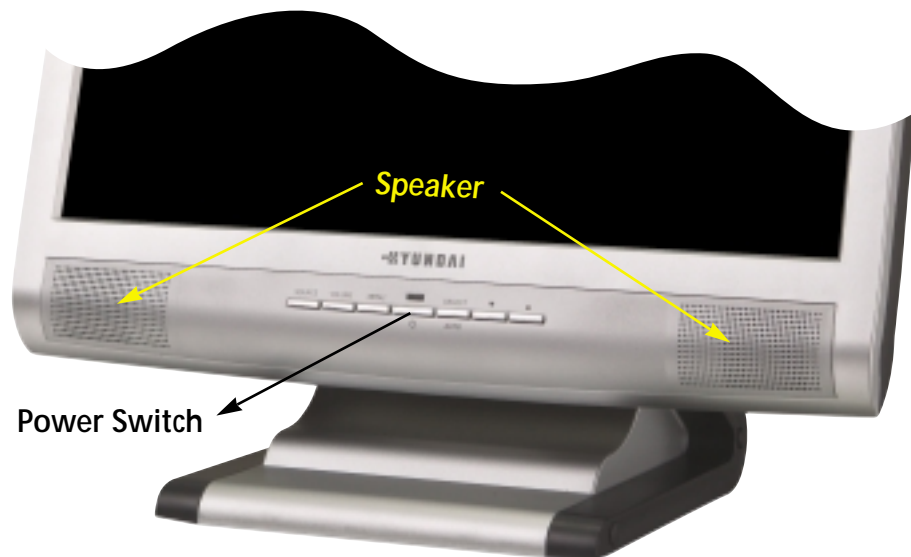
# L17T 17" TFT LCD Color Monitor

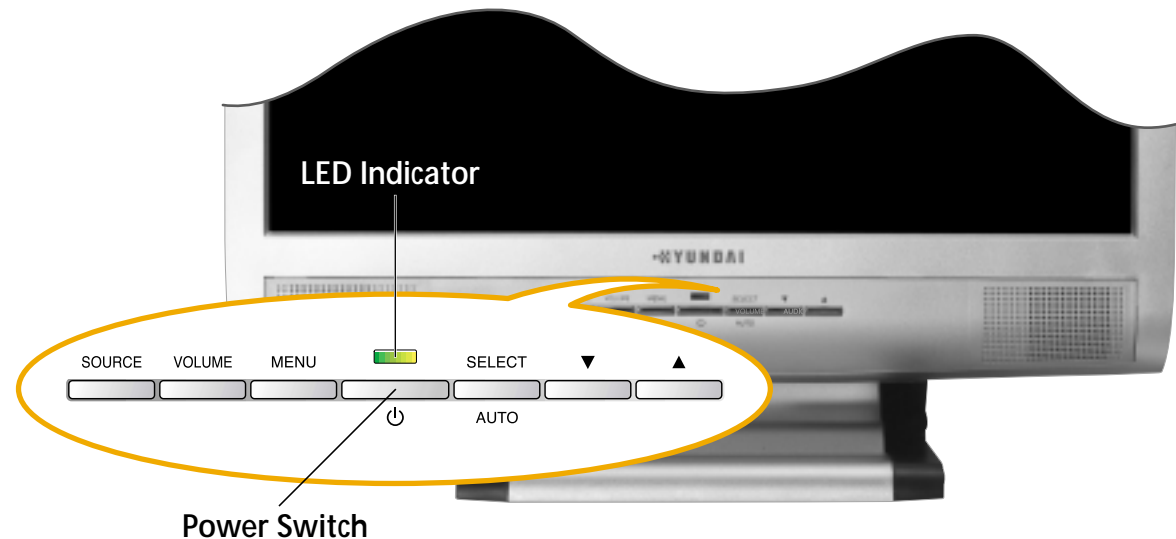
- Audio system

This monitor has an audio system including two micro loudspeakers. Each of two micro loudspeakers has an 2Wrms (typ.) output power. This system also supports a headphone output jack.

**!** This system has been tuned to get a best tone quality which an audio input level is under 300mVrms. if the input level is more than 600mVp-p, you must tune down the audio input as the audio output tone may be distorted.

When this monitor is turned on, audio is always set up as off mode. Please use AUDIO direct access button on the front cover or On Screen Display to put audio on.





### 3-4. Setting the refresh rate

Follow the instructions below to set your refresh rate in Windows 98/ME/XP/2000.

1. Go to the configuration window(Start-Settings-Configuration window).
2. Double click on the 'Display' icon.
3. Click on the 'Settings' tab.
4. Click on the 'Advanced' button.
5. Click on 'Adapter' and select 60Hz from the list.
6. Click on 'Apply' to accept the selected value.

### Preset Timing Table

**!** If the signal from the system doesn't equal to the preset timing mode, adjust the mode with reference to the user guide of videocard because the screen may not be displayed.

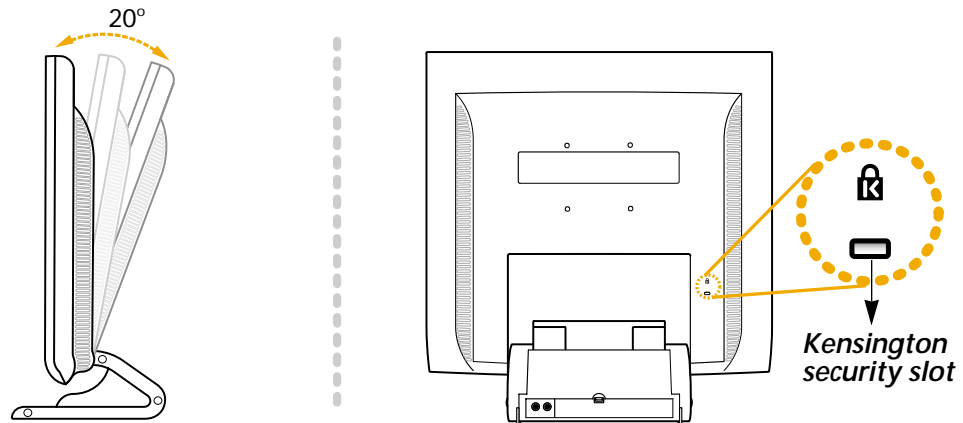
The recommended setting is a resolution of 1280x1024 and a refresh rate of 60Hz.

No.	Resolution	Horizontal Frequency	Refresh rate
1	720 x 400	31.5 KHz	70 Hz
2	640 x 480	31.5 KHz	60 Hz
3	640 x 480	37.5 KHz	75 Hz
4	800 x 600	35.2 KHz	56 Hz
5	800 x 600	37.9 KHz	60 Hz
6	800 x 600	48.1 KHz	72 Hz
7	800 x 600	46.9 KHz	75 Hz
8	832 x 624	49.7 KHz	75 Hz
9	1024 x 768	48.4 KHz	60 Hz
10	1024 x 768	56.5 KHz	70 Hz
11	1024 x 768	60.0 KHz	75 Hz
12	1152 x 864	67.5 KHz	75 Hz
13	1280 x 1024	63.9 KHz	60 Hz
14	1280 x 1024	80.0 KHz	75 Hz

### 3-5. User's Environment

#### Recommended Ergonomic User's Environment

- Viewing angle of the monitor should be between 0~20 degree.



#### Kensington Security (Locking) Slot

- This display unit supports a Kensington-type security device to secure your monitor. Kensington lock is not included.
- To purchase and install the Kensington locking device, please refer to the following contact information.

#### \* Kensington Technology Group

· Address : 2000 Alameda de las Pulgas 2F san mateo, California 94403-1289

· Tel : +1 650 572 2700 · Fax : +1 650 572 9675 · Web-site : [www.kensington.com](http://www.kensington.com)

# L17T 17" TFT LCD Color Monitor

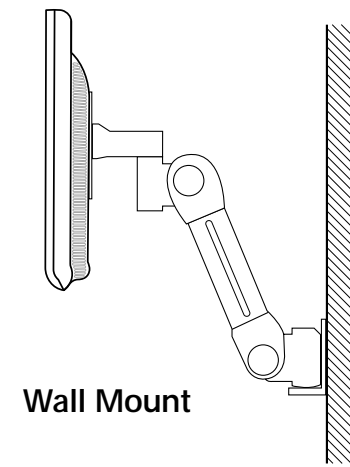
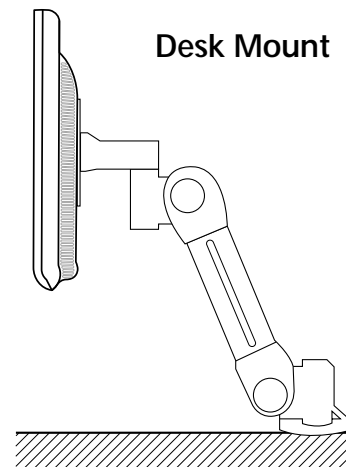
## VESA MOUNT'G

- This display unit supports VESA FPMPMI standard for 75mmx75mm screw mounting by giving 4 screw holes inside the base stand of the unit.
- For buying VESA Flat Panel Monitor Mounting Devices, please contact following information.

*\* Ergotron, Inc.*

*· Address : Ergotron Europe Kuiperbergweg 50 1101 AG Amsterdam The Netherlands*

*· Tel : +3 1 20 696 60 65 · Fax : +3 1 20 609 04 59 · E-mail : info.eu@ergotron.com*





## 4. Adjusting the picture

You can adjust the screen display by using the buttons located below the screen.



### 4-1. Using the On Screen Display

1. Push the MENU button to call the OSD to the screen. The resolution and frequency are displayed at the top of the menu box for your information.
2. Push the ▼ or ▲ button to choose the item you want to adjust. The selected item is highlighted.
3. Push the SELECT button to adjust the highlighted item.
4. Use the ▼ or ▲ button to adjust the selection.
5. Push the MENU button to return to the previous menu if you are in a submenu.
6. The display unit automatically saves the new settings in 1 second after your last adjustments and the menu disappears. You can also push the MENU button to make the menu disappear.

### 4-2. Direct access buttons

AUTO **AUTO ADJUST**  
At first display a full screen such as Window's back ground.  
Push the button SELECT(AUTO) to adjust the shape of screen automatically.

VOLUME **VOLUME**  
Use the button ▼ to select the volume adjustment.  
Adjust with ▼ or ▲ button.

### 4-3. OSD Adjustments

The OSD adjustments available to you are listed below.



#### **BRIGHTNESS**

Adjust the brightness of the screen.



#### **CONTRAST**

Adjust the contrast of the screen.



#### **COLOR CONTROL**

Color temperature affects the tint of the image. With lower color temperatures the image turns reddish and with higher temperatures bluish.

There are three color settings available: Mode 1(a cool white), Mode 2(a warm white) or USER. With the USER setting you can set individual values for red, green and blue.



#### **MISCELLANEOUS**

##### ***RECALL***

Recall the saved color data.

##### ***OSD TIMER***

You can set the displayed time of OSD Menu window on the screen by using this adjustment.

##### ***OSD POSITION***

Adjust the OSD menu's horizontal or vertical position on the screen.



### AUDIO

#### VOLUME

Adjust the audio volume level.

#### SOUND OFF

This menu is used to choose audio on or off.

#### TREBLE

Emphasize high frequency audio.

#### BASE

Emphasize low frequency audio.



### AUTO ADJUST

You can adjust the shape of screen automatically at the full screen pattern.



### LANGUAGE

You can select the language in which adjustment menus are displayed. The following languages are available : English, French, German, Italian, Spanish, Swedish, Finnish, Danish, Portuguese and Dutch.



### H/V. POSITION

#### H POSITION

Adjusts the horizontal position of the entire screen image.

#### V POSITION

Adjusts the vertical position of the entire screen image.

# L17T

## 17" TFT LCD Color Monitor

BACK

NEXT



### CLOCK PHASE

#### *PHASE*

Adjust the noise of the screen image.

#### *CLOCK*

Adjust the horizontal size of the entire screen image.



### SOURCE

No function. (Only supportable by the optional appliance.)

## 5. Display power management

### Reducing power consumption

If the power management function of your computer is enabled, your monitor turns on and off automatically. You can control power management features from your computer.

Your computer may have power management features which enable the computer or monitor to enter a power saving mode when the system is idle. You can reactivate the system by pressing any key or moving the mouse.

Mode	LED	Power consumption
Normal	Green	40 W
off	Orange	$\leq$ 3.5 W
Unplugged	Not illuminated	0 W

**!** The power button does not disconnect the monitor from the mains. The only way to isolate the monitor completely from the mains supply is to unplug the mains cable.

## 6. Troubleshooting

If your monitor is not functioning properly, you may be able to solve the problem by following the suggestions below :

Problem	Possible solution
Blank screen	<p>If the power LED is not lit, push the Soft power switch or check the AC cord to turn the monitor on. If the display unit is powered through the computer, check that the computer is switched on.</p> <p>The display unit might be in standby mode. Push one of the keyboard keys. Check that the keyboard is properly connected to the computer.</p> <p>Check that the signal cable connector is properly connected and that the connection pins are not bent or damaged. If the connector is loose, tighten the connector's screws.</p> <p>Check that the power cable is correctly connected to the display unit and to the power outlet.</p>
Error message: <i>Video mode not supported</i>	<p>Check the resolution and the frequency on the video port of your computer.</p> <p>Compare these values with the data in the Preset Timing Table.</p>
The display does not enter power management mode	<p>The video signal from the computer does not comply with VESA DPMS standard. Either the computer or the graphics adapter is not using the VESA DPMS power management function.</p>

# L17T 17" TFT LCD Color Monitor

Problem	Possible solution
Color defects	Check that the signal cable connector is properly connected and that the connection pins are not bent or damaged. Try another color temperature.
Size, position, shape or quality unsatisfactory	Adjust the picture characteristics as described in the section <i>OSD Adjustment(4-3)</i> .
Duplicated images	A problem with your graphics adapter or display unit. Contact your service representative.
Image is not stable	Check that the display resolution and frequency from your PC or graphic adapter is an available mode for your monitor. In your PC, you can check through Control panel, Display, Settings.  If the setting is not correct, use your computer utility program to change the display settings.
Message : <i>No signal</i>	Check that the signal cable connector is properly connected and that the connection pins are not bent or damaged. If the connector is loose, tighten the connector's screws. Check that the computer is switched on.
The power LED is a orange color	To enter a power saving mode. You can reactivate the system by pressing any key or moving the mouse.



# L17T 17" TFT LCD Color Monitor

Problem	Possible solution
The power LED is a orange color	<p>LED Indicator can be orange color on changing of video mode or Input Signal.</p> <p>Check the Resolution and the frequency on the video part of your computer. Compare these values with the data in the Preset Timing Table.</p>

## Contacting service

If the above troubleshooting hints do not help you find a solution to the problem, contact an authorized service agent. If the monitor is sent for service, use the original package if possible.

Unplug the display unit from the power outlet and contact a service agent when:

- The monitor does not operate normally according to the operating instructions.
- The monitor exhibits a distinct change in performance.
- The monitor has been dropped or the cabinet has been damaged.
- The monitor has been exposed to rain, or water or liquid has been spilled onto the monitor.

# L17T

## 17" TFT LCD Color Monitor

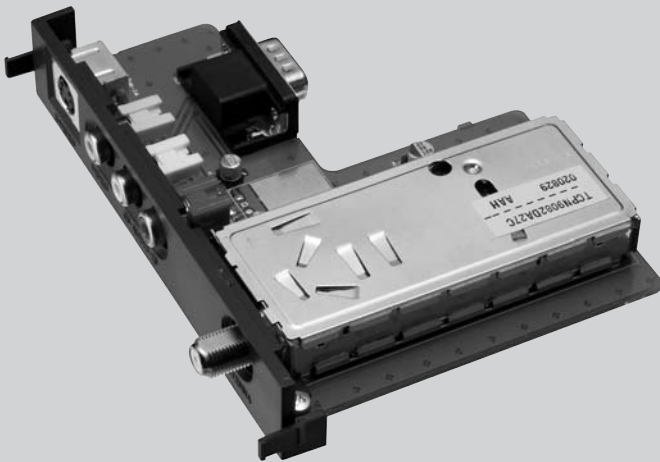
### 7. Specifications

LCD	17"viewable, Diagonal, A-Si TFT
Pixel pitch	0.264 x 0.264mm
Brightness	250cd/m <sup>2</sup>
Response Time	16msec
Display area	337.920 x 270.336 mm
Number of color	262 K
Input signals	R.G.B Analog, 15 pin D-sub
Frequency rate	Horizontal : 31.0 to 80.0KHz, Vertical : 56 to 75Hz
Maximum bandwidth	135 MHz
Maximum resolution	1280 x 1024@75Hz
Recommanded resolution	1280 x 1024@60Hz
Input voltage	100-240 VAC, 1.0A
Power consumption	40W
Power management	VESA DPMS
Plug & Play	VESA DDC 1/2B
OSD menu	BRIGHTNESS, CONTRAST, COLOR CONTROL, MISCELLANEOUS, AUDIO, AUTO ADJUST, LANGUAGE, H/V. POSITION, CLOCK-PHASE, SOURCE
Built in Speaker	2ch x 2watts
VESA FPMPI	75 x 75 mm screw mounting
Ergonomics, Safety and EMC	TCO, FCC Class B, CE, cULus, TÜV-GS, SEMKO
Operating Temperature	5 ~ 35°C
Weight	4.6Kg unpacked, 6.1Kg packed
Dimensions (W X H X D mm)	372 X 395 X 185 mm

• Specification is subject to change without notice for performance improvement.

Model : TN01(NTSC)

# TV Tuner Card



## User's Guide

## U.S.A.

### U.S. FEDERAL COMMUNICATIONS COMMISSION RADIO FREQUENCY INTERFERENCE STATEMENT INFORMATION TO THE USER

NOTE : This equipment has been tested and found to comply with the limits for a Class B digital device pursuant to Part 15 of the FCC Rules.

These limits are designed to provide reasonable protection against harmful interference in a residential installation.

This equipment generates, uses, and can radiate radio frequency energy and, if not installed and used in accordance with the instructions, may cause harmful interference to radio communications.

However, there is no guarantee that interference will not occur in a particular installation.

If this equipment does cause harmful interference to radio or television reception, which can be determined by turning the equipment off and on, the user is encouraged to try to correct the interference by one or more of the following measures:

- Reorient or relocate the receiving antenna.
- Increase the separation between the equipment and receiver.
- Connect the equipment into an outlet of a circuit different from that to which the receiver is connected.
- Consult the dealer or an experienced radio/TV technician for assistance.

Changes or modification not expressly approved by the party responsible for compliance could void the user's authority to operate the equipment.

Connecting of peripherals requires the use of grounded shielded signal cables.

## DECLARATION OF CONFORMITY

WE                   IQT  
                      Ami-ri Bubal-Eub Ichon-Si Kyungki-Do  
                      467-860 KOREA

declare under our sole responsibility that the product:

Kind of equipment : TV TUNER CARD

Model : TN01

to which this declaration relates is in conformity with the following standard(s) or other normative document(s)

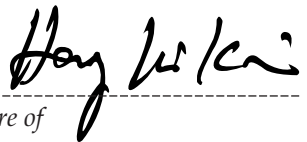
Safety : EN 60950 : 2000  
EMC : EN 55022/1998+A1:2000 Class B,  
EN 61000-3-2 : 2000, EN 61000-3-3 : 1995+A1:2001,  
EN 55013/1990+A12:1994+A13:1996+A14:1999,  
EN 55024:1998+A1:2001,  
EN 55020:1994+A11:1996+A12 A13 A14:1999

following the provisions of the Low Voltage Directive 73/23/EEC, 93/68/EEC and the EMC Directive 89/336/EEC.

Accredited testlaboratory:  
TÜV Rheinland  
Am Grauen Stein  
51105 Köln

KOREA / April 21, 2003  
*(Place and date of issue)*

HONG KI, KIM  
*(Name and signature of  
authorized person)*



# Contents

1. Features .....	1
◆ PC MODE .....	1
◆ TV & VIDEO MODE .....	1
2. Installing the TV Tuner Card .....	2
◆ Packing List .....	2
◆ Instructions to Install the TV Tuner Card .....	3
◆ Connections .....	4
3. Direct access buttons .....	5
4. OSD(On-Screen-Display) Adjustments .....	6
5. TV Functions .....	9
6. Troubleshooting .....	15

# 1. Feature

## ◆ PC MODE

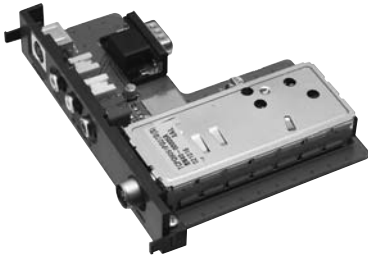
- High definition screen quality
- Crisp letter readability
- Auto-Adjustment function
- Real color images
- Video card compatible

## ◆ TV & Video MODE

- Composite Video input
- S-Video input(Y/C)
- Multi standard color decoding
- High performance adaptive 4H comb filter
- Y/C separator with adjustable vertical peaking
- 8-bit video A/D converters & AGC (Automatic Gain Control)
- Brightness / Contrast / Saturation / Tint / Sharpness control
- High quality anti-aliasing filter
- Y Cb Cr 4:2:2 format
- ITU-R656
- Remote control included
- Multi-color coding
- Air & Cable Selectable
- Channel searching
- Channel Edit
- Source select (Hot key)

## 2. Installing the TV Tuner Card

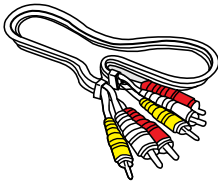
### ◆ Packing List



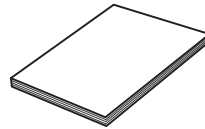
TV Tuner Card



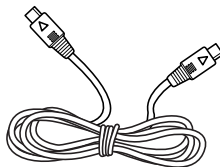
Remote Control with  
Batteries (AAA x 2)



RCA Cable



User's Guide



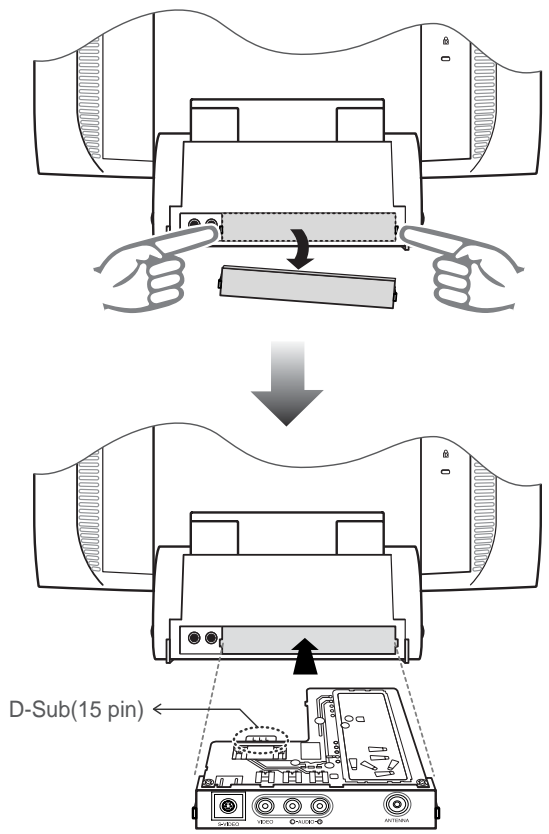
S-video Signal Cable  
(Option)



## ◆ Instructions to Install the TV Tuner Card

After opening the Cover on the rear side of the Monitor Stand.  
 Please insert Tuner & Video board into the hole on the stand with the tuner to the right side.  
 (If installed correctly, you will hear a click sound.)

\*Caution : Please check that the guide rails on the both sides of the board are well attached to the stand.



**!** Do not insert any Connector or Cable into the D-Sub(15pin).

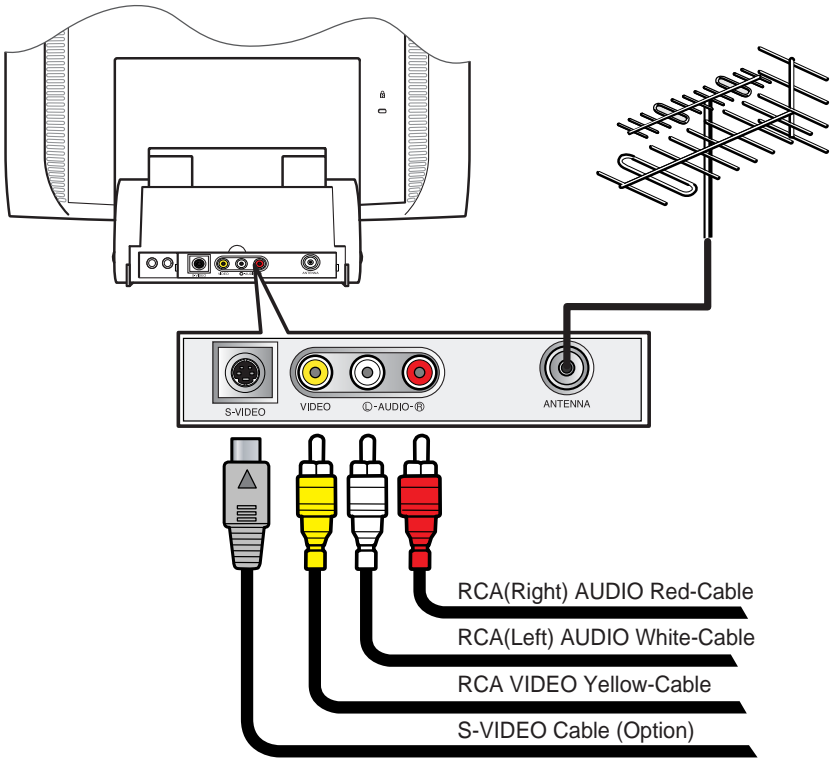
◆ connections

- Connecting External A/V Devices

- Connect RCA (Yellow) or S-Video cables to an appropriate external A/V device such as VCR, DVD or Camcorder.
- Connect RCA audio cables to “Audio (R)” and “Audio (L)” terminals and the other ends to corresponding audio out terminals on the A/V device.

- Connecting TV/CATV

- Connect an antenna or CATV cable to the antenna terminal on the back of the monitor.



### 3. Direct access buttons



- SOURCE** Use this button to change a video source  
Video sources are changed in the following order :  
PC → S-VIDEO → VIDEO → TV
- VOLUME** Use this button to select the volume adjustment.  
Then, adjust with the Up or Down button.
- MENU** Open the On-Screen-Display and select the highlighted function.
- SELECT** Select a function on the OSD.
- ▼ ▲ Moves the selector right or left on the OSD.  
Increases or decreases the values of the selected function.  
Increases or decreases the channel number.

## 4. OSD Adjustments

The OSD adjustments available to you are listed below.



### **BRIGHTNESS**

Adjusts the brightness of the screen.



### **CONTRAST**

Adjusts the contrast of the screen.



### **IMAGE ADJUST**

#### ***SATURATION***

Adjusts the color saturation of the video image.

#### ***TINT***

Adjust the color tint of the video image.

#### ***SHARPNESS***

Adjusts the sharpness and softness of the video image.



### **MISCELLANEOUS**

#### ***RECALL***

Recalls the saved color data.

#### ***OSD TIMER***

You can set the time of the OSD Menu window will be displayed on the screen by using this adjustment.

#### ***OSD POSITION***

Adjusts the OSD menu's horizontal or vertical position on the screen.



### **AUDIO**

#### ***VOLUME***

Adjusts the audio volume level.

#### ***SOUND OFF***

This menu is used to turn the choose audio on or off.

#### ***TREBLE***

Emphasizes high frequency audio.

#### ***BASE***

Emphasizes low frequency audio.



## LANGUAGE

You can select the language in which adjustment menus are displayed. The following languages are available : English, French, German, Italian, Spanish, Swedish, Finnish, Danish, Portuguese and Dutch.



## TV

### **CH SEARCHING**

By selecting a country on the screen, this program enables the user to search for the channels automatically.



*If cable(Air/CATV) is disconnected, or an inappropriate country is selected, it may operate improperly.*

### **CH EDIT**

To add a newly found channel or remove an existing channel.

### **CH FINE TUNE**

To make the video image as clear as possible.

### **TV INPUT**

Select a channel system : Air or Cable.



## SOURCE

This menu is used to choose the desired input signal source. There are four signal sources available :

- Analog RGB : 15 pin D-sub, Analog signal
- S-video : MINI DIN, Separate video signal
- Composite Video : RCA Jack, Composite video signal
- TV : Antenna or CATV signal



## CLOSED CAPTION

You may either press the AUTO/CC button on your remote or choose the CLOSED CAPTION from your on screen menu. These captions are usually subtitles for the hearing impaired, or foreign-language translations.

### **FUNCTION**

You can turn ON and OFF for Closed Captioning.

### **MODE**

You can choose the CC/TEXT mode, depending on the broadcast.

### **DISPLAY**

You can choose the form of the caption on the BOX or SHADOW.



## V-CHIP

The V-CHIP feature allows parents to control what types of programs their children can watch. You can block the audio, video and captions depending on the rating system being used. First the user must enter a PASSWORD before any of the V-Chip restrictions can be set up or changed.

### ***ENTER PASSWORD***

Please enter your Password with your remote-control.

### ***V-CHIP LOCK***

You can enable/disable the V-chip.

### ***TV-GUIDELINES***

You can choose the TV parental guidelines ratings.

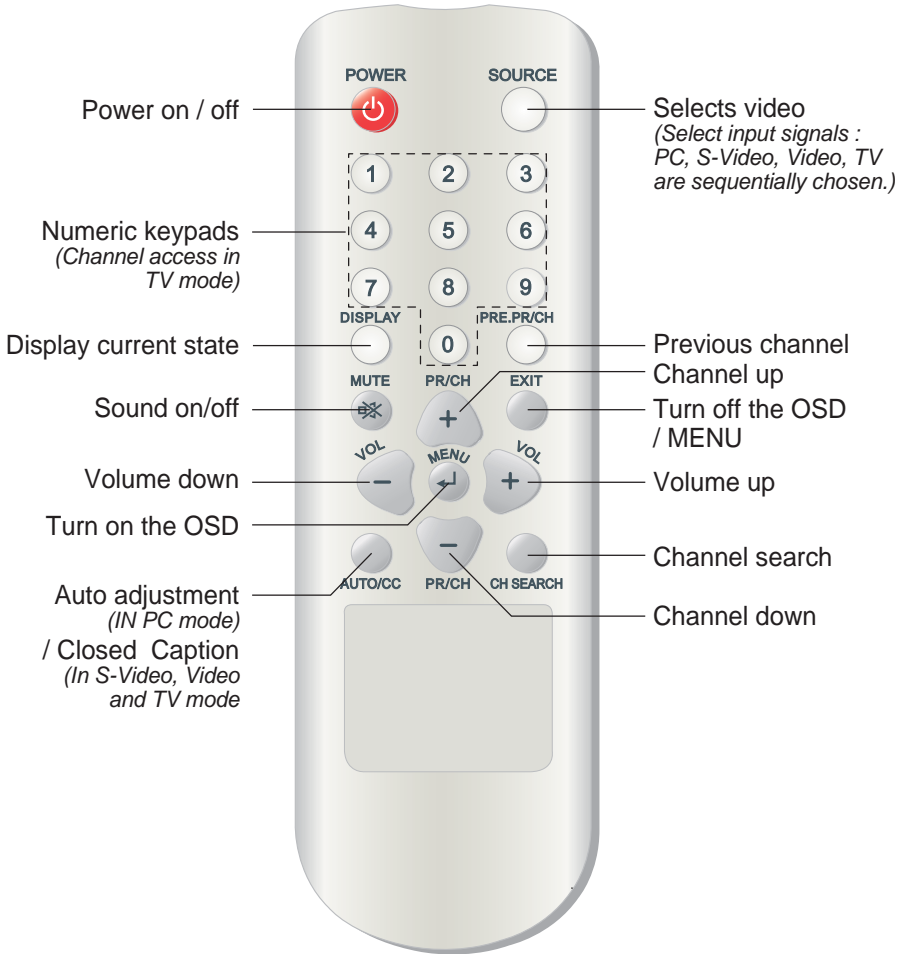
### ***MPAA RATING***

You can choose the rating system from the movies.

### ***CHANGE PASSWORD***

You can change PASSWORD

## 5. TV Functions



In order to watch TV, Multimedia Kit shall be installed to your monitor.  
The following instructions are based on using remote controller, with a MENU(↵) button in remote controller the same function as the SELECT button of the monitor.

## TV INPUT

First of all, you can select the Air or Cable before setup the Channel Searching.



1. Press the MENU(↵) button and select TV icon.
2. Move cursor to TV INPUT using the +/- buttons.
3. Press the MENU(↵) to Select TV INPUT, then select AIR or CABLE by using the +/- buttons.
4. Press the EXIT button to go back to the previous menu.

## CHANNEL SEARCHING

You can scan for the frequency ranges available in your country.



1. Press the MENU(↵) button and select TV icon.
2. Select CH SEARCHING and you can see country list.
3. Choose your country by +/- key, then press MENU(↵) button to go to CH SEARCHING. If your country is not listed, contact the distributors or service representatives.

## CHANNEL EDIT



1. Select CH EDIT by +/- buttons, then press MENU(↵) button. You can save or delete above changes by selecting DEL or ADD button by pressing MENU(↵) button.
2. If you choose CH FINE TUNE and press MENU(↵), you can see ◀ ▶ at the number.



3. You can tune the TV screen by +/- buttons, then press EXIT.

## CHANNEL FINE TUNE



1. Select CH FINE TUNE by +/- buttons, then press MENU(↵) button. You can adjust CH FINE TUNE value by +/- buttons.
2. Press the EXIT button to go back to the previous menu.

## CLOSED CAPTION

These captions are usually subtitles for the hearing impaired, or foreign-language translation.



1. Press the MENU button and select CLOSED CAPTION icon.
2. Press the MENU(↵) to Select FUNCTION, then select ON or OFF by using the +/- buttons.
3. Press the EXIT button to go back to the previous menu.
4. If you choose MODE, then select mode by +/- buttons. Change the Closed Caption Mode.  
\*The Captioning mode will depend on the particular broadcast.



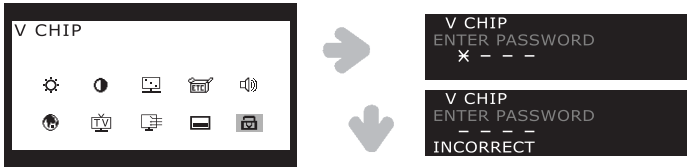
5. Press the EXIT button to go back to the previous menu.



6. If you choose DISPLAY, then select mode by +/- buttons.  
Text will be in a Black Background BOX or SHADOW with no background box.
7. Press the EXIT button to go back to the previous menu.

## V CHIP

First the user must enter a Password before any of the V-CHIP restrictions can be set up or changed.



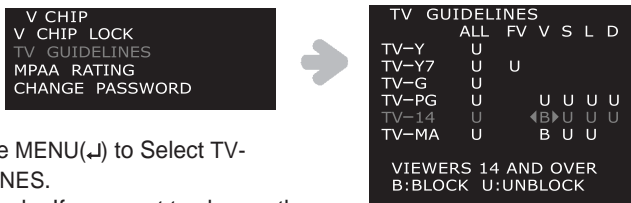
1. Press the MENU(↵) button and select V CHIP icon.
2. Enter your 4-digit Password. (Default Password is 0, 0, 0, 0)
3. If your Password is Incorrect, please re-enter your password.
4. V-Chip Menu will be appeared, after successful entering password.

## How to enable and disable the V-CHIP feature



Press the MENU(↵) to Select V CHIP LOCK, then select NO(disable) or YES(enable) by using the +/- buttons.

## How to setup TV GUIDELINES for V-CHIP



1. Press the MENU(↵) to Select TV-GUIDELINES.
  2. For example, If you want to change the TV-14 category to block it, move the cursor to TV-14 using the +/- buttons.
  3. Press the MENU(↵) to Select TV-14. You can now see the ◀U▶ brackets at TV-14.
  4. If you want to all block all TV-14, Press +/- buttons to Select ◀B▶.
  5. If you want to block each(ex:V), move cursor to V using the MENU(↵).
- \*remote control buttons operate as - Move : MENU(↵) button, Select : +/- buttons
6. Press the EXIT button to go back to the previous menu.

NOTE : The V-Chip will automatically block any category that is more "restrictive" For example, if you block the "TV-14" category, then "TV-14" and "TV-MA" will automatically be blocked also.

TV-Y : YOUNG CHILDREN	FV : FANTASY VIOLENCE
TV-Y7 : CHILDREN 7 AND OVER	V : VIOLENCE
TV-G : GENERAL AUDIENCE	S : SEXUAL SITUATION
TV-PG : PARENTAL GUIDANCE	L : ADULT LANGUAGE
TV-14 : VIEWERS 14 AND OVER	D : SEXUAL SUGGESTIVE
TV-MA : MATURE AUDIENCE	DIALOG

## How to setup the MPAA RATING

```

V CHIP
V CHIP LOCK
TV GUIDELINES
MPAA RATING
CHANGE PASSWORD
  
```



```

MPAA RATING
G          U
PG        U
PG-13    <B>
R          B
NC-17    B
X          B
NR        U

CHILDREN UNDER 13
B: BLOCK U:UNBLOCK
  
```

1. Press the MENU(⏏) to Select MPAA RATING.
2. If you want to change PG-13 to block these ratings, first move cursor to PG-13 by using the +/- buttons.
3. Press the MENU(⏏) to Select PG-13, then select <B> by using the +/- buttons.
4. Press the EXIT button to go back to the previous menu.

G : GENERAL AUDIENCES, PG : PARENTAL GUIDANCE, PG-13 : CHILDREN UNDER 13, R : RESTRICTED, NC-17 : NO ONE UNDER 17, X : ADULTS ONLY, NR : NOT RATED

## How to change PASSWORD

```

V CHIP
V CHIP LOCK
TV GUIDELINES
MPAA RATING
CHANGE PASSWORD
  
```



```

CHANGE PASSWORD
NEW PASSWORD
- - - -
  
```



```

CHANGE PASSWORD
CONFIRM PASSWORD
- - - -
  
```



```

CHANGE PASSWORD
CONFIRM PASSWORD
- - - -
INCORRECT
  
```

1. Press the MENU(⏏) to Select CHANGE PASSWORD.
2. Enter your new password.  
Chose any 4-digits for your new password.

3. CONFIRM PASSWORD Menu will be appeared, then Re-enter the same 4-digits.

\*If your password is Incorrect, please re-enter your password.  
When the conform screen disappear. Your password has been memorized.

4. Press the EXIT button to go back to the previous menu.

If you forget the password, you can reset the password(0,0,0,0) by following sequence, in the S-Video mode or Video(Not TV mode).

DISPLAY → MUTE → MUTE → 1 → 1 → 9



This message should be printed on a separate page of paper or on a page of the manual that can be removed by a parent and put in a safe place where the children cannot find this message!

## How to reset the TV after the V-Chip blocks a channel (Emergency Escape)

When the TV is tuned to a restricted channel, the V-Chip will obstruct it.

The screen will go blank and the following message will show : “Excessive rating”. Please tune to a different channel with the numbers to resume normal viewing. When it is under certain conditions (depending on the rating of the broadcasted program) the V-Chip might lock out all the channels.

In this case, use the MENU(↵) button for an “emergency escape” : Choose the V CHIP on the Menu. Enter your Password, Press the MENU(↵) to Select V CHIP LOCK, then select NO(disable) or YES(enable) by using the +/- buttons.

## 6. Troubleshooting

If this product is not functioning properly, you may be able to solve the problem by following simple the suggestions below ;

Problem	Possible solution
No source change	If the board is not well connected to the monitor. It will not operate properly. Please check the board is firstly installed into the monitor. (Page 3)
Color defects	If the screen color is not suitable for viewing. You can select "Recall" button in the OSD menu. This function returns to the initial factor setting values. (Page 6)
No channel searching	If it could not find channels please check it again according to the following steps. <ul style="list-style-type: none"><li>• The cable connection must be secure.</li><li>• TV input (Air/CATV)</li><li>• Country selection must be correct.</li></ul> You should select the appropriate country to your location. (Page 7)
Blue screen /No signal	If the screen shows only blue color or No signal message, Please check whether you have selected the right signal source. -Analog RGB, S-video, Composite-video, TV (page 7)
The remote control does not work.	If the remote control does not operate well. Please check the batteries. <ul style="list-style-type: none"><li>• Batteries are correctly inserted according to ⊕ and ⊖ marking.</li><li>• Batteries must be replaced if dead.</li></ul>