

HYUNDAI
HYUNDAI IT CORP.

Type No. L24COF080
Model. W240D
Dual Function Monitor



User's Guide

U.S.A.

U.S.FEDERAL COMMUNICATIONS COMMISSION RADIO FREQUENCY INTERFERENCE STATEMENT INFORMATION TO THE USER

NOTE : This equipment has been tested and found to comply with the limits for a Class B digital device pursuant to Part 15 of the FCC Rules.

These limits are designed to provide reasonable protection against harmful interference in a residential installation.

This equipment generates, uses, and can radiate radio frequency energy and, if not installed and used in accordance with the instructions, may cause harmful interference to radio communications.

However, there is no guarantee that interference will not occur in a particular installation.

If this equipment does cause harmful interference to radio or television reception, which can be determined by turning the equipment off and on, the user is encouraged to try to correct the interference by one or more of the following measures:

- Reorient or relocate the receiving antenna.
- Increase the separation between the equipment and receiver.
- Connect the equipment into an outlet of a circuit different from that to which the receiver is connected.
- Consult the dealer or an experienced radio /TV technician for assistance.

Changes or modification not expressly approved by the party responsible for compliance could void the user's authority to operate the equipment.

Connecting of peripherals requires the use of grounded shielded signal cables.

DECLARATION OF CONFORMITY

WE HYUNDAI IT CORP.
Ami-ri Bubal-Eub Ichon-Si Kyungki-Do
467-860 KOREA

declare under our sole responsibility that the product:

Kind of equipment : LCD MONITOR

Type-Designation : L24C0F080

to which this declaration relates is in conformity with the following standard(s) or other normative document(s)

Safety : EN60950-1:2002
EMC : EN 55022/1998+A1:2000+A2:2003
 EN 55024 :1998+A1:2001+A2:2003
 EN 61000-3-2:2000
 EN 61000-3-3:1995+A1:2001

following the provisions of the Low Voltage Directive 73/23/EEC, 93/68/EEC and the EMC Directive 89/336/EEC.

Accredited testlaboratory:
TÜV Rheinland
Am Grauen Stein
51105 Köln

KOREA / May 15, 2006

(Place and date of issue)

DAE, HEE KIM 

(Name and signature of
authorized person)

W240D

Multi Function Monitor

Contents

1. Introduction	1/22
2. Safety Information	1/22
3. Installing the monitor	4/22
3-1. Packing List	4/22
3-2. Selecting a suitable location	5/22
3-3. Connecting the pc.	5/22
3-4. watching the DVD/HDTV	7/22
3-5. Setting the refresh rate	9/22
Preset Timing Table	10/22
3-6. User's Environment	11/22



4. Adjusting the picture	13/22
4-1. Using the On Screen Display	14/22
4-2. Direct access buttons	14/22
4-3. OSD Adjustments	15/22
5. Display power management	18/22
Reducing power consumption	18/22
6. Troubleshooting	19/22
7. Specifications	22/22



W240D

Multi Function Monitor

1. Introduction

This manual contains instructions for installing and operating HYUNDAI IT CORP. W240D.

HYUNDAI IT CORP. W240D is a highly ergonomic color display unit.

- 24" viewable WUXGA LCD
- High quality screen re-scaling capability
- 100-240V AC input voltage
- VESA DPMS (Display Power Management Signaling)
- VESA DDC1/2B compatibility
- Advanced digital On-Screen-Display controls
- Digital Signal Input by DVI-1.0 Compatability
- Fast and accurate auto adjustment
- Most advanced image scaling
- Supporting VESA Flat Panel Monitor Physical Mounting Interface

This Monitor has been engineered and manufactured to assure your safety. You can prevent serious electrical shock and other hazards by keeping in mind the following:



Do not place anything wet on the monitor or the power cord. Never cover the ventilation openings with any material and never touch them with metallic or inflammable materials.

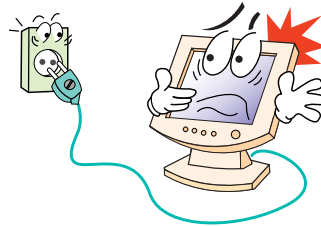
2. Safety Information

W240D Multi Function Monitor

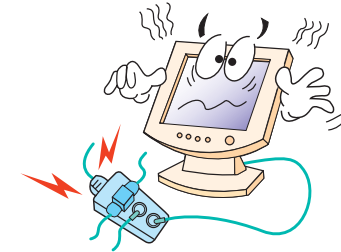
Avoid operating the monitor in extreme heat, humidity or areas affected by dust.
Temperature : 5~35°C
Humidity : 30~80RH



Be sure to turn the monitor off before plugging the power cord into the socket. Make sure that the power cord and the other cords are securely and rightly connected.



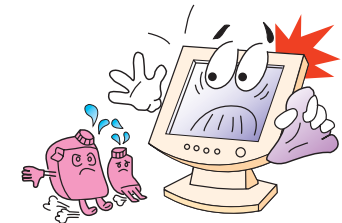
Overloaded AC outlets and extension cords are dangerous, as are frayed power cords and broken plugs, which may cause electric shock or fire. Call your service technician for replacement.



Do not use sharp tools such as a pin or a pencil near the monitor, as they may scratch the LCD surface.



Do not use a solvent, such as benzene, to clean the monitor, as it will damage the LCD surface.



W240D

Multi Function Monitor

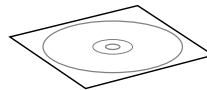
Cleaning and Maintenance

- To avoid risk of electric shock, do not disassemble the display unit cabinet. The unit is not user-serviceable. Remember to unplug the display unit from the power outlet before cleaning.
- Do not use alcohol (methyl, ethyl or isopropyl) or any strong dissolvent. Do not use thinner or benzene, abrasive cleaners or compressed air.
- Do not wipe the screen with a cloth or sponge that could scratch the surface.
- To clean your antistatic screen, use water and a special microfiber screen cleaning tissue used in optical lens cleaning, or lightly dampen a soft, clean cloth with water or a mild detergent.
- If the instructions above do not help in removing stains, contact an authorized service agent.

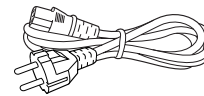
W240D Multi Function Monitor

3. Installing the monitor 3-1. Packing List

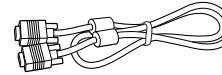
The following items should be found in the packaging.



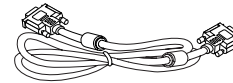
Compact Disc



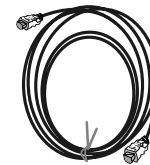
Power Cord



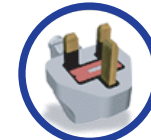
Signal Cable



Audio Cable



HDMI Cable



UK



Japan



America/Canada



Europe



South Africa



Australia



Korea



Above power cord can be changed upon different voltage areas. Please contact your dealer if anything is missing or damaged.

Other power cord except the cord packed in the product or longer than 3m may affect EMC of the product in operating condition.

W240D

Multi Function Monitor

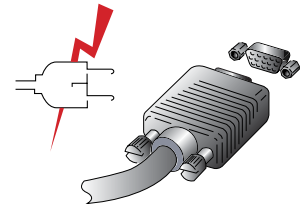
3-2. Selecting a suitable location

- Place the monitor at least 30cm from other electrical or heat-emitting equipment and allow at least 10cm on each side for ventilation.
- Place the monitor in a position where no light shines directly onto or is reflected on the screen.
- To reduce eye strain, avoid installing the display unit against a bright background such as a window.
- Position the monitor so that the top of the screen is no higher than eye level.
- Position the monitor directly in front of you at a comfortable reading distance (around 45 to 90cm)

3-3. Connecting to a PC

- 15 pin D-sub / DVI-D / HDMI

! Before you start cabling your monitor, check that the power is off on all units. To avoid any possibility of electric shock, always connect your equipment to properly earthed outlets.



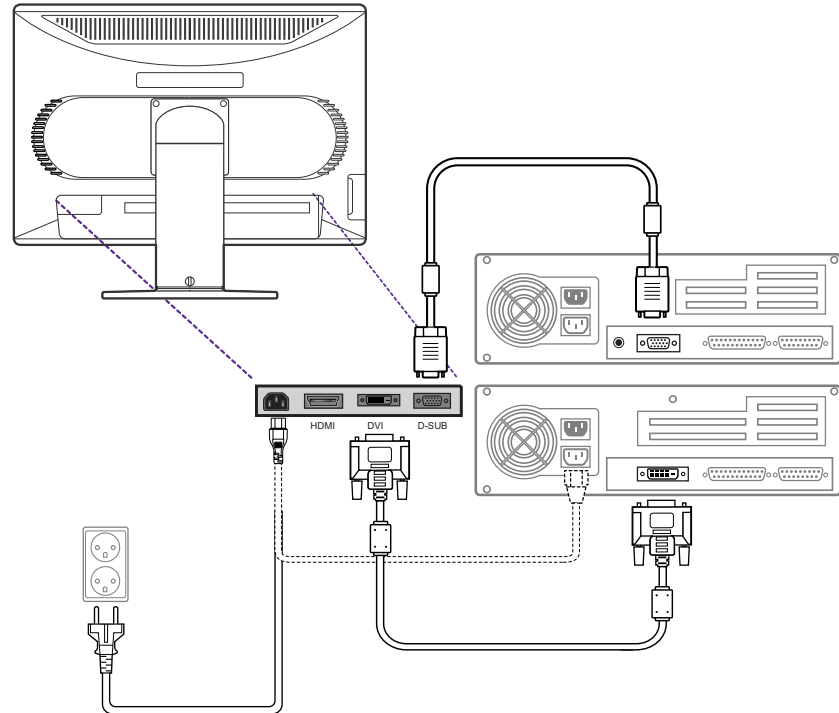
1. Insert the other 15-pin/DVI-D/HDMI signal cable connector into the 15-pin VGA/DVI-D connection on your computer and screw it down.
2. Plug the power cord connection to connection on the monitor.
3. Plug the other end of the power cord to your computer's main supply or to a 100V-240V earthed electrical outlet.
4. Turn on the monitor using the power switch and check that the power LED is on. If not, repeat steps 1,2,3 and 4 or refer to the Troubleshooting section of this guide.

W240D

Multi Function Monitor

- **Connecting method**

5. Turn on the power to the computer. The picture will appear within about 10 seconds. Adjust the picture to obtain optimum picture quality. See section Adjusting the picture in this guide for more information.



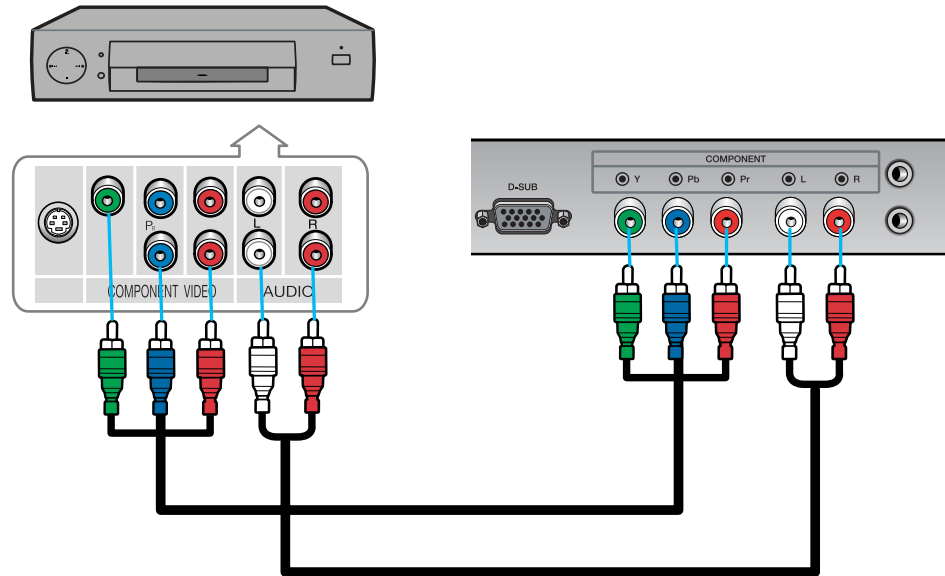
W240D

Multi Function Monitor

3-4. Watching the DVD/HDTV

- Connecting component cable

- Connect component cable (Y, Pb, Pr) between output terminal (Y, Pb, Pr) of DVD player and the input terminal (Y, Pb, Pr) of DVD on the rear of W240D. (Connect cable and terminal in the same color)
- Connect Audio cable between Audio output terminal of DVD player and Audio input terminal for DVD Audio on the rear of W240D. (Connect cable and terminal in the same color)



Output terminal mark (Y, Pb, and Pr) of DVD player may be written as Y, B-Y, R-Y/Y-Cb-Cr / Y-Pb-Pr.(it depends on DVD player)

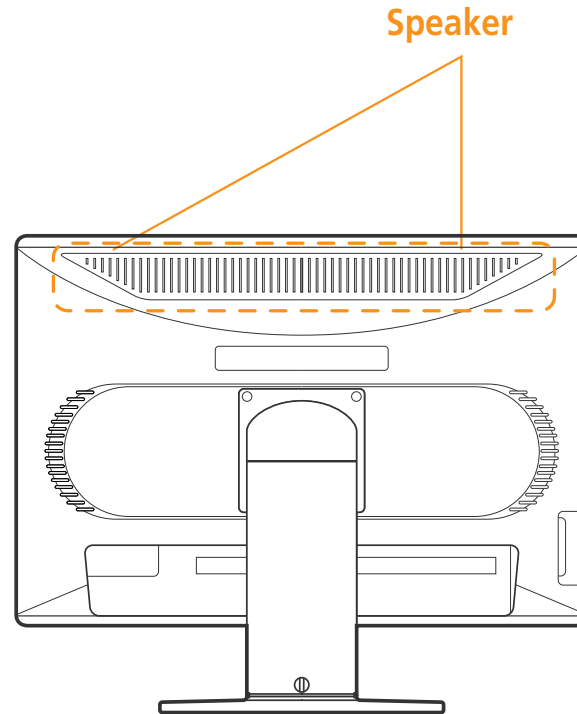
W240D

Multi Function Monitor

- Audio system

This monitor has an audio system including two micro loudspeakers. Each of two micro loudspeakers has an 3W(max.) output power. This system also supports a headphone output jack.

! This system has been tuned to get a best tone quality which an audio input level is under 500mv rms. If the input level is more than 500mv rms, you must tune down the audio input as the audio output tone may be distorted.



W240D

Multi Function Monitor

3-5. Setting the refresh rate

Follow the instructions below to set your refresh rate in Windows 98/ME/XP/2000.

1. Go to the configuration window(Start-Settings-Configuration window).
2. Double click on the 'Display' icon.
3. Click on the 'Settings' tab.
4. Click on the 'Advanced' button.
5. Click on 'Adapter' and select 60Hz from the list.
6. Click on 'Apply' to accept the selected value.



MENU SELECT ∨ ^ - + ⏻

W240D

Multi Function Monitor

Preset Timing Table

! If the signal from the system doesn't equal to the preset timing mode, adjust the mode with reference to the user guide of videocard because the screen may not be displayed.

No.	Resolution	H-Freq.(kHz)	V-Freq.(MHz)	Supported Mode	
				Analog	DVI
1	640 X 350	31.4	70.0	•	
2	720 X 400	31.4	70.0	•	
3	640 X 480	31.4	59.9	•	•
4	640 X 480	37.5	75.0	•	
5	800 X 600	35.1	56.2	•	
6	800 X 600	37.8	60.3	•	•
7	800 X 600	46.8	75.0	•	
8	832 X 624	49.7	74.5	•	
9	1024 X 768	48.3	60.0	•	•
10	1024 X 768	56.4	70.0	•	
11	1024 X 768	60.0	75.0	•	
12	1152 X 864	67.5	75.0	•	
13	1152 X 870	68.6	75.0	•	
14	1280 X 960	60.0	60.0	•	•
15	1280 X 1024	63.9	60.0	•	•
16	1280 X 1024	79.9	75.0	•	
17	1680 X 1050	64.7	60.0	•	•
18	1600 X 1200	75.0	60.0	•	•
19	1920 X 1200	84.0	59.9	•	•
20	720 X 480p,576p	31.5	60/50	Video Mode	
21	1280 X 720p	45.0	60		
22	1920 X 1080i	33.7	30		

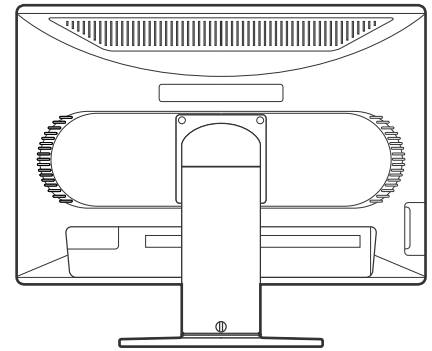
W240D

Multi Function Monitor

3-6. User's Environment

Recommended Ergonomic User's Environment

- Viewing angle of the monitor should be between -3~17 degree.



W240D

Multi Function Monitor

Kensington Security
(Locking) Slot

VESA MOUNT'G

- This display unit supports a Kensington-type security device to secure your monitor. Kensington lock is not included.
- To purchase and install the Kensington locking device, please refer to the following contact information.

*** Kensington Technology Group**

· Address : 2000 Alameda de las Pulgas 2F san mateo, California 94403-1289

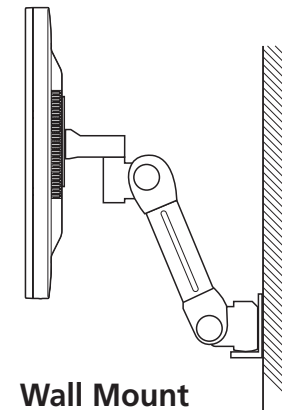
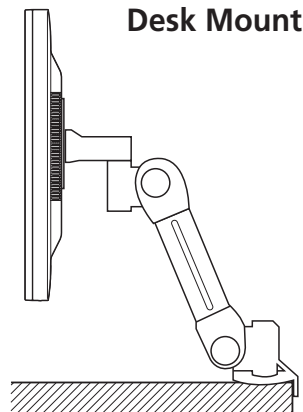
· Tel : +1 650 572 2700 · Fax : +1 650 572 9675 · Web-site : www.kensington.com

- This display unit supports VESA FPMPMI standard for 75mmx75mm screw mounting by giving 4 screw holes inside the base stand of the unit.
- For buying VESA Flat Panel Monitor Mounting Devices, please contact following information.

*** Ergotron, Inc.**

· Address : Ergotron Europe Kuiperbergweg 50 1101 AG Amsterdam The Netherlands

· Tel : +3 1 20 696 60 65 · Fax : +3 1 20 609 04 59 · E-mail : info.eu@ergotron.com



W240D Multi Function Monitor

4. Adjusting the picture

You can adjust the screen display by using the buttons located below the screen.



The second and third Menu from the OSD can't be chosen in digital-mode.

W240D

Multi Function Monitor

4-1. Using the On Screen Display

To make adjustments in the On Screen Display, follow these steps:



1. Push the MENU button to call the OSD to the screen.
2. Push the ▼ or ▲ button to choose the item you want to adjust. The selected item is highlighted.
3. Push the SELECT button to adjust the highlighted item.
4. Use the ▼ or ▲ button to adjust the selection.
5. Push the MENU button to return to the previous menu if you are in a submenu.
6. The display unit automatically saves the new settings in 1 second after your last adjustments and the menu disappears. You can also push the MENU button to make the menu disappear.



AUTO ADJUST

At first display a full screen such as Window's back ground. Push the button SELECT(AUTO) to adjust the shape of screen automatically.



VOLUME

Use the button ▼ to select the Volume adjustment. Adjust with ▼ or ▲ button.



MUTE

Use the button ▲ to select Audio on or off.

SOURCE

Use the button ▲ to switch other input from current input.
(VGA -> Component -> DVI -> HDMI -> VGA)

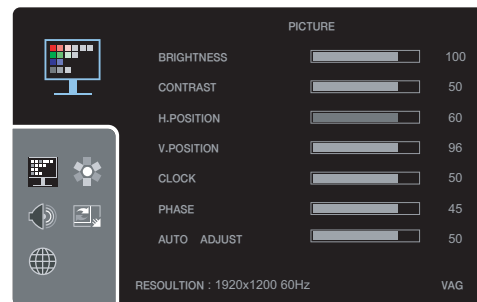
4-2. Direct access buttons

W240D

Multi Function Monitor

4-3. OSD Adjustments

PICTURE (SCREEN STATE ADJUSTMENT)



BRIGHTNESS

Adjusts the brightness of the screen.

CONTRAST

Adjusts the contrast of the screen.

H.POSITION

To move image left and right.

V.POSITION

To move image up and down

CLOCK

Adjust the horizontal size of the entire screen image.

PHASE

Adjust the noise of the screen image.

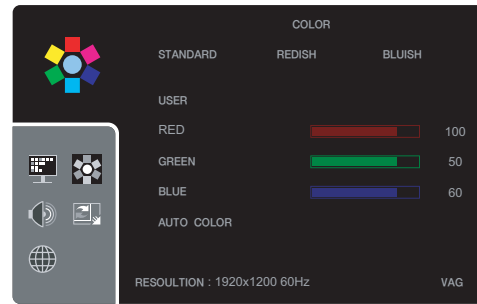
AUTO ADJUST

You can adjust the shape of the screen automatically at the full screen pattern

W240D

Multi Function Monitor

COLOR (SCREEN STATE ADJUSTMENT)



STANDARD

For general Color tone.

REDISH

For Redish color with warm tone.

BLUISH

For Bluish color with cool tone.

USER

For adjusting degree of RGB as Users want

AUTO COLOR

Adjust the horizontal size of the entire screen image.

PHASE

Adjust the noise of the screen image.

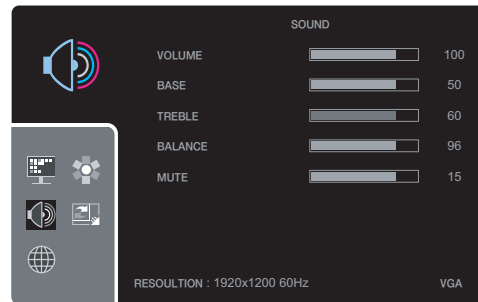
AUTO ADJUST

If the output of the videocard is different the required specifications, the color level may deteriorate due to video signal distortion. Using this function, the signal level is adjusted to fit into the standard output level of the videocard in order to provide the optimal image. Activate this function when white and black colors are present in the screen.

W240D

Multi Function Monitor

SOUND (ADJUSTING THE AUDIO FUNCTION)



VOLUME

Adjust the audio volume level.

BASE

Emphasize low frequency audio.

TREBLE

Emphasize high frequency audio.

BALANCE

Use this function to balance sound from the left and right speakers.

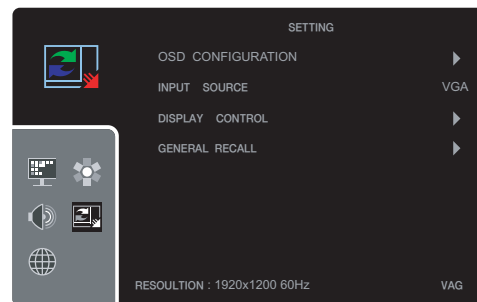
MUTE

Audio ON or OFF

SETTING (OSD ADJUSTMENT / SOURCE / SCALE)

OSD CONFIGURATION

If you choose OSD CONFIGURATION on the OSD menu, you can adjust the following



OSD TIMER

To adjust OSD Display time on the screen.

OSD POS

To adjust OSD Display position on the screen.

TRANSPARENT

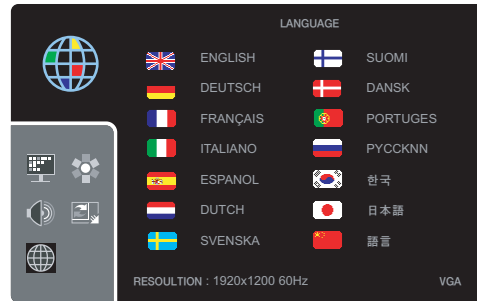
To adjust the transparency of OSD window.

OSD ZOOM

To adjust the size of OSD window.

W240D Multi Function Monitor

LANGUAGE (OSD LANGUAGE ADJUSTMENT)



You can select the language in which adjustment menus are displayed. The following languages are available. English, German, France, Italia, Spanish, Dutch, Swedish, Finnish, Danish, Portugal, Russian, Korea, Japan, China.

5. Display power management

Reducing power consumption

If the power management function of your computer is enabled, your monitor turns on and off automatically. You can control power management features from your computer.

Your computer may have power management features which enable the computer or monitor to enter a power saving mode when the system is idle. You can reactivate the system by pressing any key or moving the mouse.

Mode	LED	Power consumption
Normal	Blue	85W(Typ)
off	Orange	≤ 1 W(Typ)
Unplugged	Not illuminated	0 W

! The power button does not disconnect the monitor from the mains. The only way to isolate the monitor completely from the mains supply is to unplug the mains cable.

W240D

Multi Function Monitor

6. Troubleshooting

If your monitor is not functioning properly, you may be able to solve the problem by following the suggestions below :

Problem	Possible solution
Blank screen	<p>If the power LED is not lit, push the Soft power switch or check the AC cord to turn the monitor on. If the display unit is powered through the computer, check that the computer is switched on.</p> <p>The display unit might be in standby mode. Push one of the keyboard keys. Check that the keyboard is properly connected to the computer.</p> <p>Check that the signal cable connector is properly connected and that the connection pins are not bent or damaged. If the connector is loose, tighten the connector's screws.</p> <p>Check that the power cable is correctly connected to the display unit and to the power outlet.</p>
Error message: <i>Video mode not supported</i>	<p>Check the resolution and the frequency on the video port of your computer.</p> <p>Compare these values with the data in the Preset Timing Table.</p>
The display does not enter power management mode	<p>The video signal from the computer does not comply with VESA DPMS standard. Either the computer or the graphics adapter is not using the VESA DPMS power management function.</p>

W240D

Multi Function Monitor

Problem	Possible solution
Color defects	Check that the signal cable connector is properly connected and that the connection pins are not bent or damaged. Try another color temperature.
Size, position, shape or quality unsatisfactory	Adjust the picture characteristics as described in the section <i>OSD Adjustment(4-3)</i> .
Duplicated images	A problem with your graphics adapter or display unit. Contact your service representative.
Image is not stable	Check that the display resolution and frequency from your PC or graphic adapter is an available mode for your monitor. In your PC, you can check through Control panel, Display, Settings. If the setting is not correct, use your computer utility program to change the display settings.
Message : <i>No signal</i>	Check that the signal cable connector is properly connected and that the connection pins are not bent or damaged. If the connector is loose, tighten the connector's screws. Check that the computer is switched on.
The power LED is a orange color	To enter a power saving mode. You can reactivate the system by pressing any key or moving the mouse.

W240D

Multi Function Monitor

Problem	Possible solution
The power LED is a orange color	<p>LED Indicator can be orange color on changing of video mode or Input Signal.</p> <p>Check the Resolution and the frequency on the video part of your computer. Compare these values with the data in the Preset Timing Table.</p>

Contacting service

If the above troubleshooting hints do not help you find a solution to the problem, contact an authorized service agent. If the monitor is sent for service, use the original package if possible.

Unplug the display unit from the power outlet and contact a service agent when:

- The monitor does not operate normally according to the operating instructions.
- The monitor exhibits a distinct change in performance.
- The monitor has been dropped or the cabinet has been damaged.
- The monitor has been exposed to rain, or water or liquid has been spilled onto the monitor.

W240D

Multi Function Monitor

7. Specifications

LCD	24" viewable, Diagonal, Pixel pitch 0.270mm, A-si TFT
Display area	518.4(H) X 324(V), 24" Diagonal
Number of color	16.7 million colors (true 8-bit color)
Input signals	R.G.B Analog, 15pin D-sub / DVI-D / Component / HDMI
Frequency rate	Horizontal : 30.0 to 80.0KHz, Vertical : 56 to 75Hz
Maximum bandwidth	162MHz
Maximum resolution	1920 X 1200 @ 60Hz
Recommended resolution	1920 X 1200 @ 60Hz
Input voltage	100-240V AC, 2.0A
Power consumption	85W(Typ.)
Power management	VESA DPMS
Plug & Play	VESA DDC 1/2B
OSD menu	BRIGHTNESS, CONTRAST, H/W POSITION, CLOCK, PHASE, AUTO ADJUST AUTO COLOR, SOUND, OSD CONFIGURATION, INPUT SOURCE, DISPLAY CONTROL, GENERAL RECALL, LANGUAGE
Audio system	2ch X 3watts / Ear Phone Jack
VESA FPMPI	75mm X 75mm screw mounting
Ergonomics, Safety and EMC	Energystar CE, CB, TUV/GS, ICE/ EN60950-1, EN55022, EN55024
Operating Temperature	5 ~ 40° C
Weight	9.9Kg unpacked, 7.9Kg packed
Dimensions (W X H X D mm)	579.5 X 455.0 X 240 mm

- Specification is subject to change without notice.
- HYUNDAI IT CORP. specification on "dead pixel" of LCD Panel applies to ISO 13406-2 Standard.