

# **ATTACHMENT E -1.**

## **- USER'S MANUAL -**



Model. HQL260WR/320WR

# User's Guide

\* The above image may look different from the real product.

# FCC Information

## User Instructions

The Federal Communications Commission Radio Frequency Interference Statement includes the following warning :

**NOTE :** This equipment has been tested and found to comply with the limits for a Class B digital device pursuant to Part 15 of the FCC Rules.

These limits are designed to provide reasonable protection against harmful interference in a residential installation. This equipment generates, uses, and can radiate radio frequency energy and, if not installed and used in accordance with the instructions, may cause harmful interference to radio communications. However, there is no guarantee that interference will not occur in a particular installation.

If this equipment does cause harmful interference to radio or television receptions, which can be determined by turning the equipment off and on, the user is encouraged to try to correct the interference by one or more of the following measures :

- Reorient or relocate the receiving antenna.
- Increase the separation between the equipment and receiver.
- Connect the equipment into an outlet on a circuit different from that to which the receiver is connected.
- Consult the dealer or an experienced radio/TV technician for assistance.

## User Information

Changes or modifications not expressly approved by the party responsible for compliance could void the user's authority to operate the equipment.

Connecting of peripherals requires the use of grounded shielded signal cables.



# Important Tips

## Image Retention effect(Image Sticking) —

### 1. Cause :

- Image Retention Effect could be come from displaying a still picture in certain period of time with at a certain area continuously, as the feature of LCD TV panel.
- This is the same matters to other companies' LCD TV panel products, too.

### 2. Prevention :

- To avoid this matter, use the product after reducing brightness and contrast, especially a still image is displaying for a long time. (Example : Contrast 50, Brightness 50 - *See the page 34*)  
Once Image retention occurs, change the mode into Video mode which displays more motion pictures. It will help reduce this matter, but cannot completely eliminate once it occurs.  
It makes the screen's brightness worse as displaying a fixed pattern often.

### 3. Solution :

- The temporary image sticking would decrease with displaying Full-White pattern after 10 hours.
- The permanent image sticking couldn't take off under the latest technology even though being in its manufacturer.

### 4. Notice :

- It is very important to notify every buyer/customer this information and All Branches/Buyers /Customers should be fully aware of this.
- Image Sticking in LCD TV panel products couldn't get the support from a manufacturer, and does not come under the warranty.

## Second Tips —

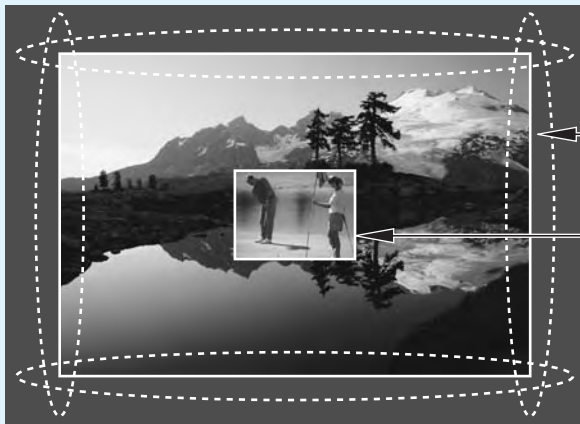
### • Pixel Defect :

LCD TV panel is made of a group of refined pixels (cells). The Panel, in which 99.9% of pixels have approved, is a normal product. Therefore, only a few of abnormal pixels may appear, however, this has no influence upon LCD TV panel performance.

*\* Specification on 'dead pixel' of LCD panel applies to ISO13406-2 Standard.*

## Image Sticking Precaution

### Still Image/Panorama/Wide/4:3 in motion Image —



Panorama, Wide, 4:3 aspect ratio

Box or Still image

- **Precaution :**

- Image Sticking could be come from Still Image and Boundary line for a long time display and Brightness gap in Boundary.
- This Matter(Image Sticking) is same thing under the other LCD's Company.
- Still Image/Letter in watching TV also will be effect to Image sticking.
- \*This matter(Image Sticking) is out of warranty.



# Features

## **A Wide Array of Screen Settings**

You can choose different screen settings depending on the type of program you are watching or the surrounding conditions (the lighting or the outside weather conditions).

You can switch among Standard, Sport, Natural and Mild, or you can configure the screen settings for yourself.

## **A Wide Array of Sound Settings**

You can choose an optimal sound setting for the type of program you are watching.

You can switch among Standard, Music, Film and Speech, or you can configure the settings for yourself.

## **Favorite Channel Memory**

You can store your favorite channels in the order of preference for easy channel selection.

## **V-Chip**

The V-Chip feature locks out programs that are deemed inappropriate for children.

## **Closed Captions Function**

This is to displays the closed captions that are broadcast with certain TV shows.

## **SRS WOW(Surround) Audio Function**

You can listen to dynamic and surround sound only with ordinary speaker

## **Various of the Aspect Ratio**

You can adjust Aspect Ratio as you want

## **Auto ON/OFF Function**

This function allows you to turn on/off your LCD TV at the preset time.

# Table of Contents

## General Information

Safety Precaution .....	5
Contents of the Package .....	11
Separately Sold Products .....	11
How to Use the Kensington Security Slot .....	12
How to Use the Rear Cap and Cable Holder .....	13
How to Adjust the View Angle .....	14
How to Install Wall Mount Support .....	15
How to Install Wall Mount Frame .....	16
Parts Names and Functions .....	17
Remote Control .....	19

## Connections

Connecting Indoor/Outdoor TV Antenna (UHF/VHF) .....	23
Connecting to the antenna input connection on the external equipment .....	24
Before connecting the video connections to external devices .....	25
Connecting VCR, Cable/Satellite Receiver .....	26
Connecting a DTV Receiver or DVD Player .....	27
Playing Back a Tape Recorded on a Camcorder .....	28
Connecting to a PC .....	29
Resolutions Supported in PC .....	30

## Picture Setup

How to Select the Picture Mode .....	33
How to Set the Desired Picture .....	34
How to Set PIP [Mode] .....	35
How to Set the Geometry (In PC mode) .....	37
How to Set the Geometry (In DTV mode) .....	38

## Sound Setup

How to Select the Audio Mode .....	41
How to Select the Desired Mode .....	42
How to Select the Balance, Volume and Sound Source .....	43
How to Select SRS WOW(Surround) .....	44
How to Listen to Stereo Sound / SAP .....	45

## Channel Setup

How to Store Channel Automatically .....	47
How to Set Channel Fine Tuning .....	48
How to Add/Erase Channel .....	49
Using the LNA(Low-Noise-Amplifier) Feature .....	50
How to Select the Parental Lock Mode .....	51
How to Set the Desired Parental Lock .....	52

## Function Setup

How to Select the Aspect Ratio .....	59
How to Freeze Picture .....	60
How to view Closed Captions .....	61
How to Set Key-Lock .....	62
How to Set OSD(On-Screen-Display) Display Time .....	63
How to Set No Key Operation Auto Power Off.....	64
How to Set No Signal Timeout .....	65
How to Set Your Favorite Channels .....	66
How to Set Noise Reduction and Use Factory Preset .....	67
Displaying Information and Clock .....	68
Choosing Your Language .....	69

## Clock Setup

How to Set Date and Clock .....	71
How to Set On/Off Time .....	72
How to Set Sleep Time .....	74

## Appendix

Glossary .....	77
Troubleshooting .....	79
Care and Cleaning .....	81
Product Specifications .....	82

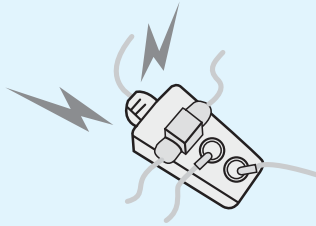




# Safety Precaution

The contents of this section are provided for the safety of users and their property. Please read the instructions carefully before using.

## WARNING

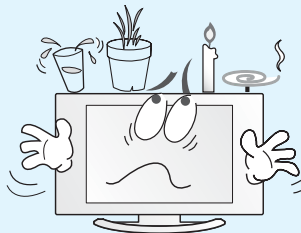


**Do not connect multiple electrical appliances to a single outlet.**  
- It may cause a fire due to overheating from the outlet.

If there is a persistent accumulation of dusts or water on the plug, please make sure to wipe it off using a dry cloth.  
- It may cause a fire or an electric shock.



## WARNING






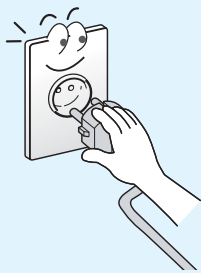
**Do not put a water bowl, filled with liquids such as vases, candle, bug repellent, smoke, cigarette, plants, or heavy thing on the LCD TV.**  
- It may cause electric shock or fire and also heavy things may cause injury when they fall.

**Do not install in a place where there is oil, smoke, excessive humidity, or where water may be sprinkled, dripped, splashed on it.**  
- This may cause electric shock or fire.



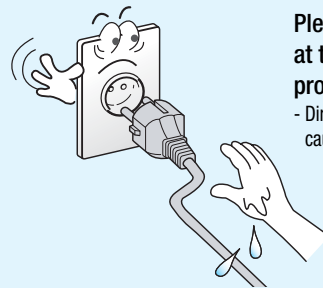
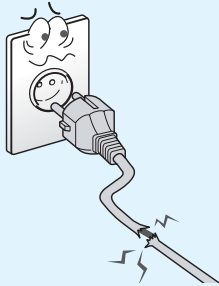
Safety instructions are divided into “Warning” and “Alert”. Their meanings are as follows.

-  This icon is intended to alert the user to the presence of potential danger and important operating instructions.
-  **Warning** : When there is a possibility of serious injury or death if not observed.
-  **Alert** : When there is a possibility of slight injury or product damage if not observed.



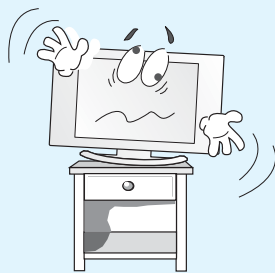
**Firmly plug in the power cord so that it does not pull out.**  
- An unstable connection may cause fire.

**Do not use a damaged power cord or plug, or loose outlet.**  
- They may cause electric shock or fire.



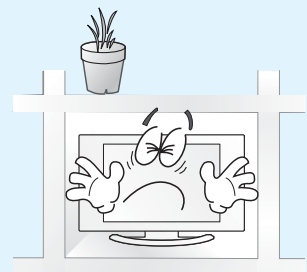
**Never touch the power plug or outlet with wet hands.**  
- This may cause electric shock.

**Please avoid touching the panel at the rear of LCD TV as it is producing high temperature.**  
- Direct contact with the hot surface may cause physical burns.



**Do not install on an unstable place or small support.**  
- This may cause the LCD TV to fall, resulting in serious injury to a child or adult.

**Do not use or store a flammable spray or inflammable things near the LCD TV.**  
- They may cause explosion or fire.



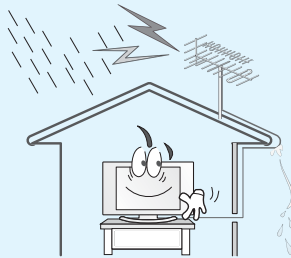
**Do not install the LCD TV in a bookshelf, closet, or a place where there is poor air circulation.**  
- Fire may be caused due to the rise of internal temperature.



# Safety Precaution .....Continued from previous page

The contents of this section are provided for the safety of users and their property. Please read the instructions carefully before using.

## WARNING



Make the antenna cable loop at the entrance of the building. Any necessary action such as making the antenna cable loop at the entrance of the building should be taken to prevent rainwater on the outdoor antenna cable from possibly running into the indoor.

- If raindrop gets into the LCD TV, it may cause a fire or an electric shock.

Never attempt to open, fix, or modify the LCD TV.

- When there is a need for fixing, call a service center. Fire or electric shock may be caused.



## WARNING

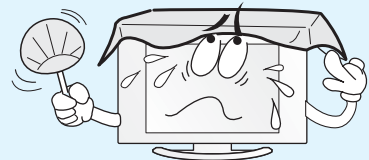


Any heat sources such as radiators and heat registers, etc. on or near the LCD TV.




- It may cause a fire.

Do not block ventilating slits.

- Blocking the ventilation slits prevents inner heat from escaping, which may lead to a fire.



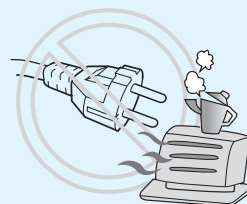
Safety instructions are divided into “Warning” and “Alert”. Their meanings are as follows.

-  This icon is intended to alert the user to the presence of potential danger and important operating instructions.
-  **Warning** : When there is a possibility of serious injury or death if not observed.
-  **Alert** : When there is a possibility of slight injury or product damage if not observed.

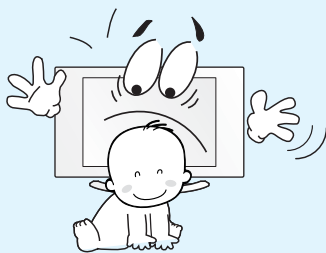


Do not put a metallic object like chopstick, wire, or puncher or inflammables like paper or a match in a vent, headphone jack, or AV jacks of the LCD TV.  
- Electric shock or fire may be caused.

When the LCD TV produces abnormal noise, burning smell, or smoke, unplug the LCD TV immediately and call a service center.  
- Electric shock or fire may be caused.

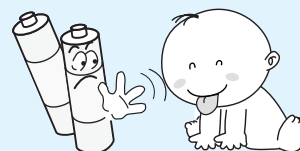
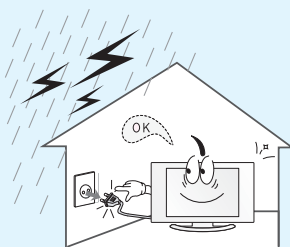


Ensure the power cord doesn't trail across any hot objects like a heater.  
- This may cause a fire or an electric shock.



Do not install the product on the floor.  
- If it falls over, your child may be injured.

Unplug the product during lightning or thunderstorms and never touch the antenna cable.  
- It may cause a fire or an electric shock.



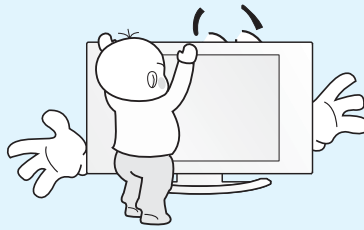
Keep the remote control batteries out of sight and out reach of children.  
- If your child swallows a battery, see your doctor immediately.



# Safety Precaution .....Continued from previous page

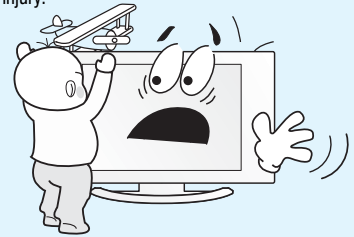
The contents of this section are provided for the safety of users and their property.  
Please read the instructions carefully before using.

## WARNING

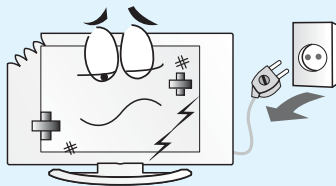


**Do not allow children to climb or play on the LCD TV.**  
- If it falls over on children, it may cause serious injury.

Do not place toys and cookies, etc. on the LCD TV, which may attract children's attention. Children will climb on the LCD TV to reach whatever they have their eyes on.  
- If it falls over on children, it may cause serious injury.



## ALERT






**In the event of damaging or dropping the product, switch off the power and remove the plug.**  
- Using a damaged product may cause an electric shock or a fire.  
- Contact your local service center.

**Unplug when you do not use your LCD TV for a long time.**

- If dust is stacked on the LCD TV, electric shock or fire may be caused from heat, fire, or deterioration of insulation.



Safety instructions are divided into “Warning” and “Alert”. Their meanings are as follows.

-  This icon is intended to alert the user to the presence of potential danger and important operating instructions.
-  **Warning** : When there is a possibility of serious injury or death if not observed.
-  **Alert** : When there is a possibility of slight injury or product damage if not observed.

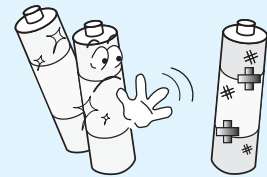
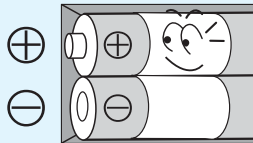


When cleaning the LCD TV, make sure to disconnect the power plug and use a dry, soft cloth for a cleanup.

- Please avoid using chemicals such as wax, benzene, alcohol, thinner, mosquito spray, air freshener, lubricant or synthetic detergent.

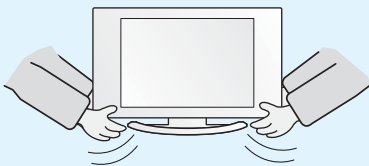
When replacing batteries, make sure to match the batteries to the (+) and (-) marks in the battery compartment.

- Mismatching of polarities may result in internal damage to batteries, fire due to leakage or contamination.



Always use the standard batteries and avoid using old batteries together with new ones.

- Otherwise it may result in internal damage to batteries, fire due to leakage or contamination.

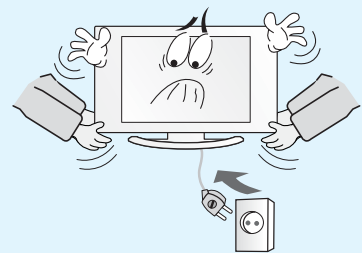


When moving the LCD TV, 2 or more people are advised to carry it.

- Injury or damage may be caused when the LCD TV falls.

Consult a service center or customer service for inside cleaning about once a year.

- When dust is piled inside the LCD TV for a long time, fire or malfunction may be caused.



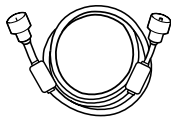
Before moving your LCD TV, ensure to switch off the power and unplug all the electrical cords and the external connection cords such as an antenna cable and other source connections, etc.

- An electrical cord(s) may be damaged resulting in a fire or an electrical shock.

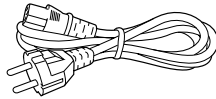


# Contents of the Package

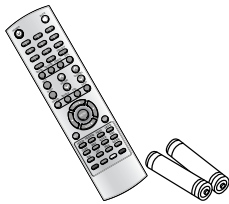
To purchase additional parts, consult a distributor or selling agent.



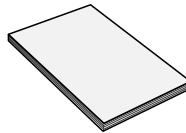
Antenna Cable



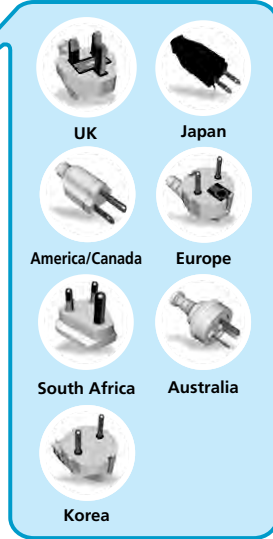
Power Cord



Remote Control/2 Batteries  
(1.5V AAA)

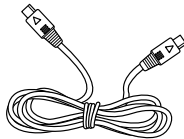


User's Guide

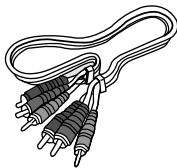


# Separately Sold Products

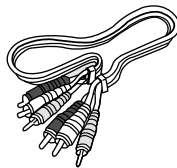
If you want to purchase separately sold products, consult a service center, electronics shops, or parts seller.



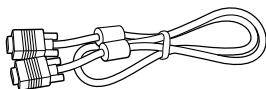
S-video cable



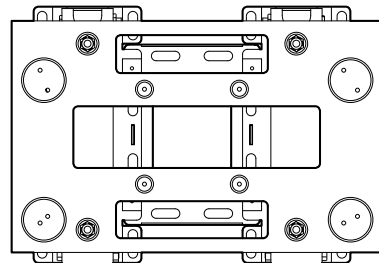
Component  
(Y, Pb, Pr) cable



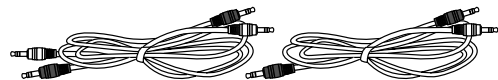
Composite  
(Video & Audio) cable



PC signal cable(D-SUB)



Wall mounting frame

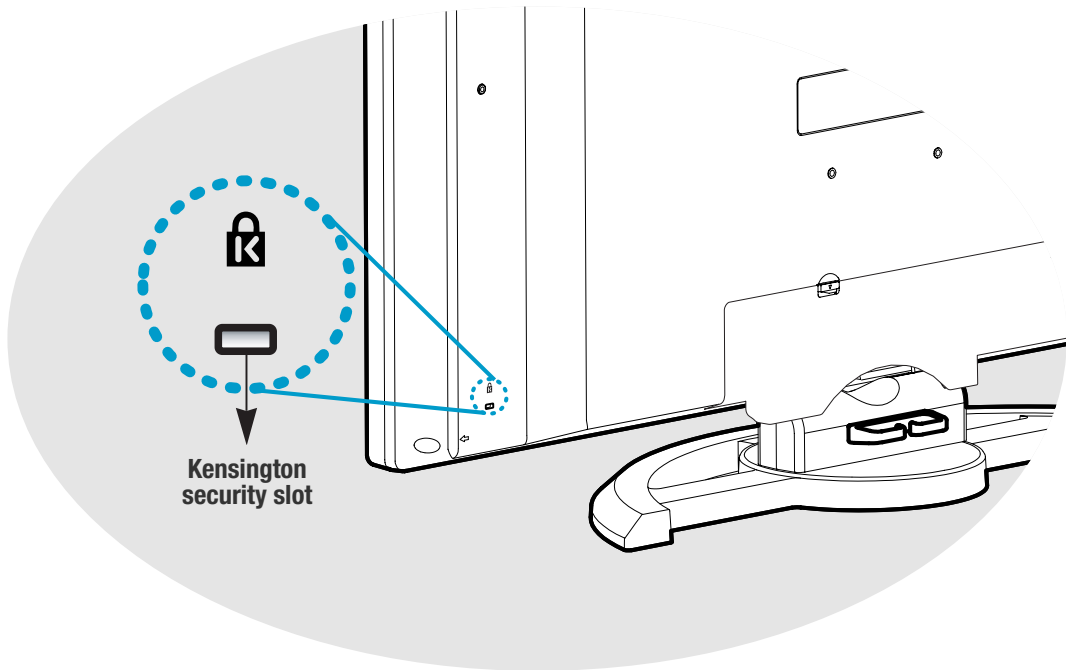


Audio cable(DVD/DTV)

Audio cable(PC)

## How to Use the Kensington Security Slot

- This display unit supports a Kensington-type security device to secure your LCD TV. Kensington lock is not included.
- To purchase and install the Kensington locking device, please refer to the following contact information.



### \* Kensington Technology Group

- Address : 2000 Alameda de las Pulgas 2F san mateo, California 94403-1289
- Tel : +1 650 572 2700      • Fax : +1 650 572 9675
- Web-site : [www.kensington.com](http://www.kensington.com)

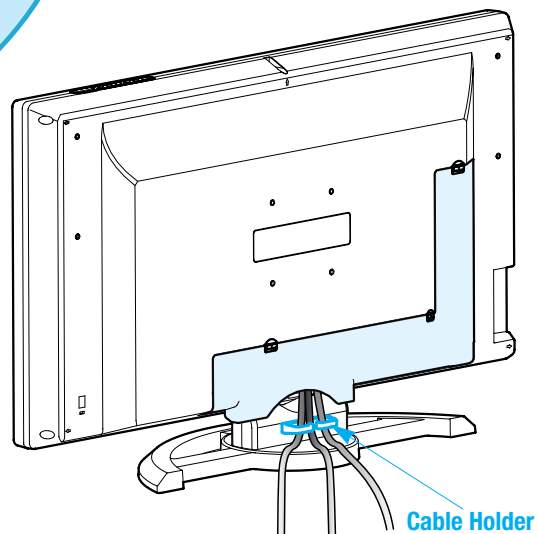
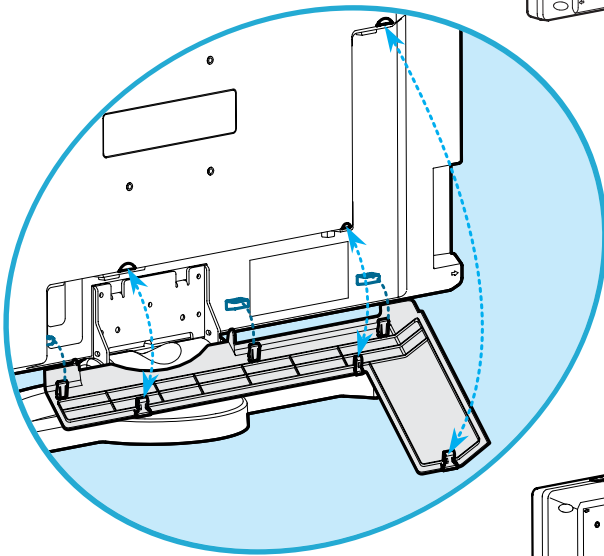
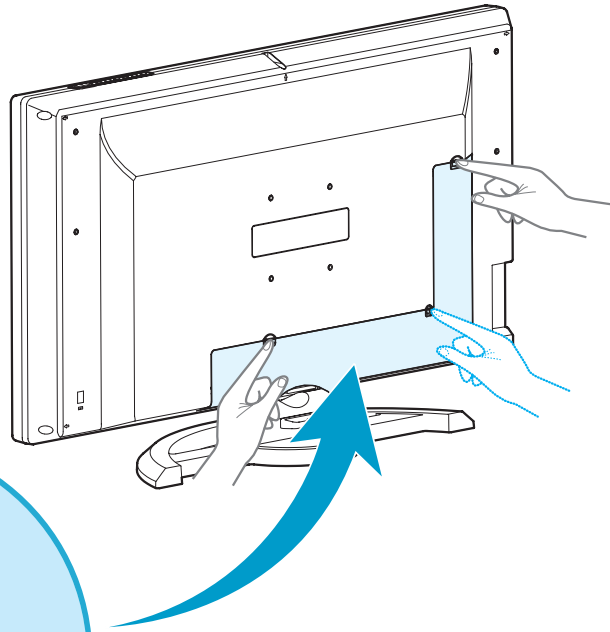




## How to Use the Rear Cap and Cable Holder

The Rear Cap and Cable Holder allow you to organize the connection cables on the rear of the product.

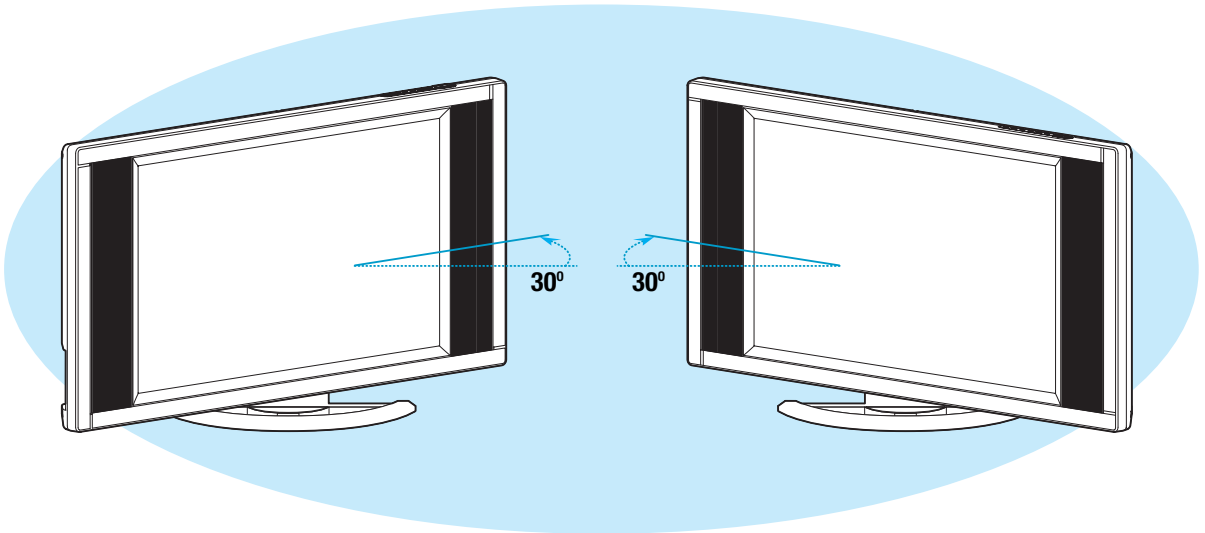
1. Pressing and pulling the three hooks on the rear can detach the Rear Cap.
2. Connect your cables to the terminals of the rear.
3. Organize the connected cables neatly using the Cable Holder.
4. Align the rear cover with three guide holes on the bottom of the TV and push the cover firmly toward the front of the TV until the latches click into the locked position.



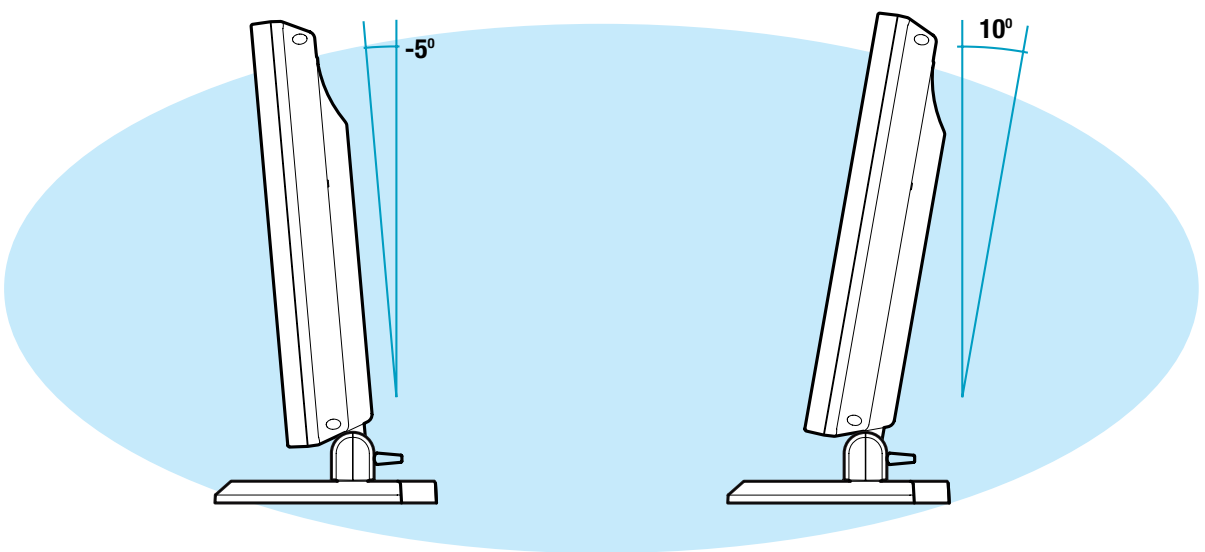
## How to Adjust the View Angle

You can adjust the angle of the view for the desired view angle.

You can adjust any angle within a range of 30° to the left or right.



You can adjust the tilt of the TV from -5° to 10° after the installation.



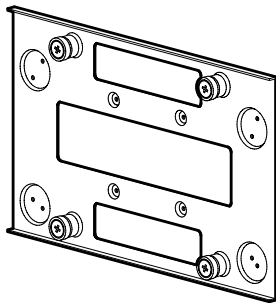


# How To Install Wall Mount Support

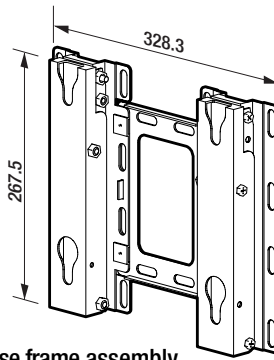
## 1. Caution

1. Install on the vertical wall surface only.
2. Do not install on the following places to protect the performance of LCD TV and to prevent malfunction.
  - Near sprinkler Detector,
  - Near heating devices,
  - Places where vibration or shock may be applied ,
  - Near high voltage electric power line
3. Install in a proper method with the structural materials of the wall. If the wall is not strong enough to stand weight of TV set, reinforce the wall surface before installation.
4. Do not install within a wall.

## 2. Parts configuration chart



Fixing Panel assembly



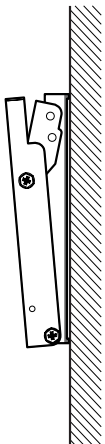
Base frame assembly



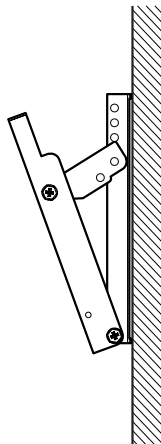
8 screws

## 3. Angle Adjustment

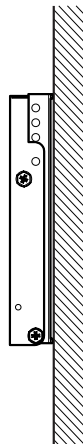
The angle of LCD TV may be adjusted from 0 degree to 20 degree in 5 steps with 5 degrees.  
Use the angle adjustable hole on the side of fixing panel when adjustment is needed.



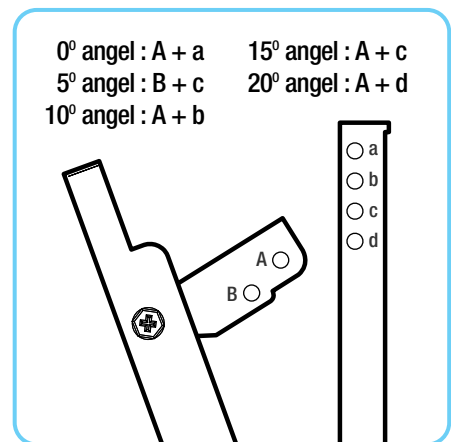
5° angle



20° angle



No angle

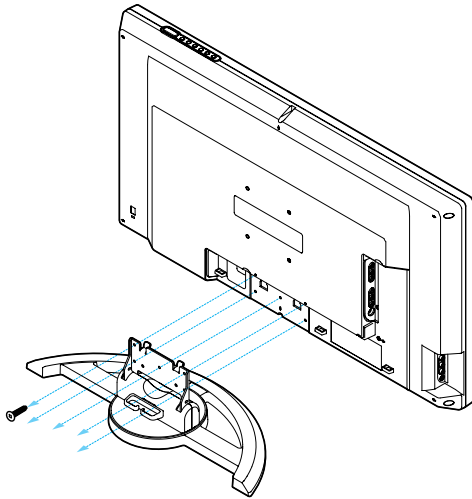


Angle adjustable hole

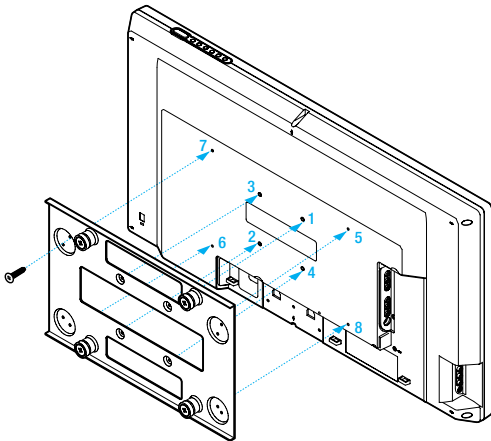
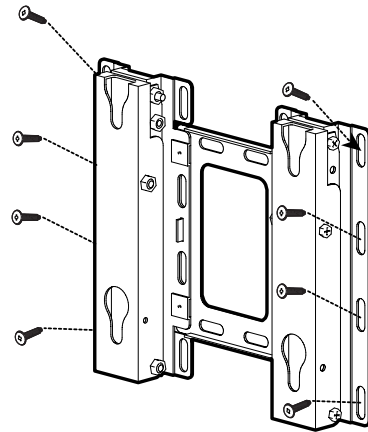
# How To Install Wall Mount Frame

## 4. Installation Method

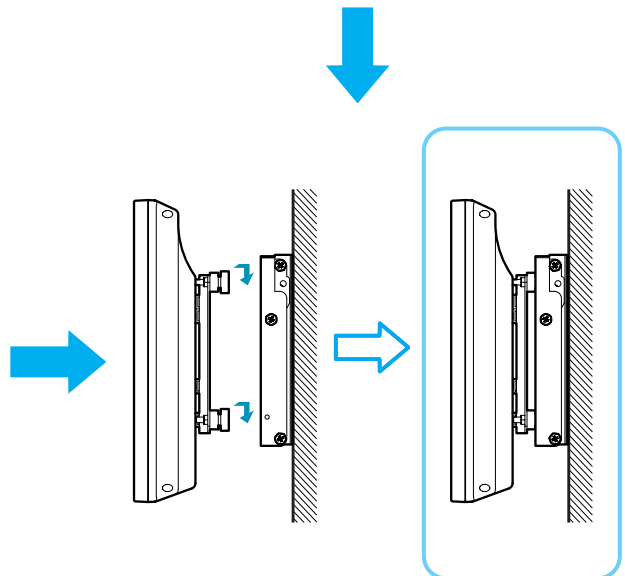
1. Unscrew screws fastened on 5 spots on the stand of LCD TV.



3. Fix the Base Frame Assy on the wall with screws or nails.



2. Fasten the Fixing Panel assembly on the back of LCD TV as shown on the picture. (Numbering step)

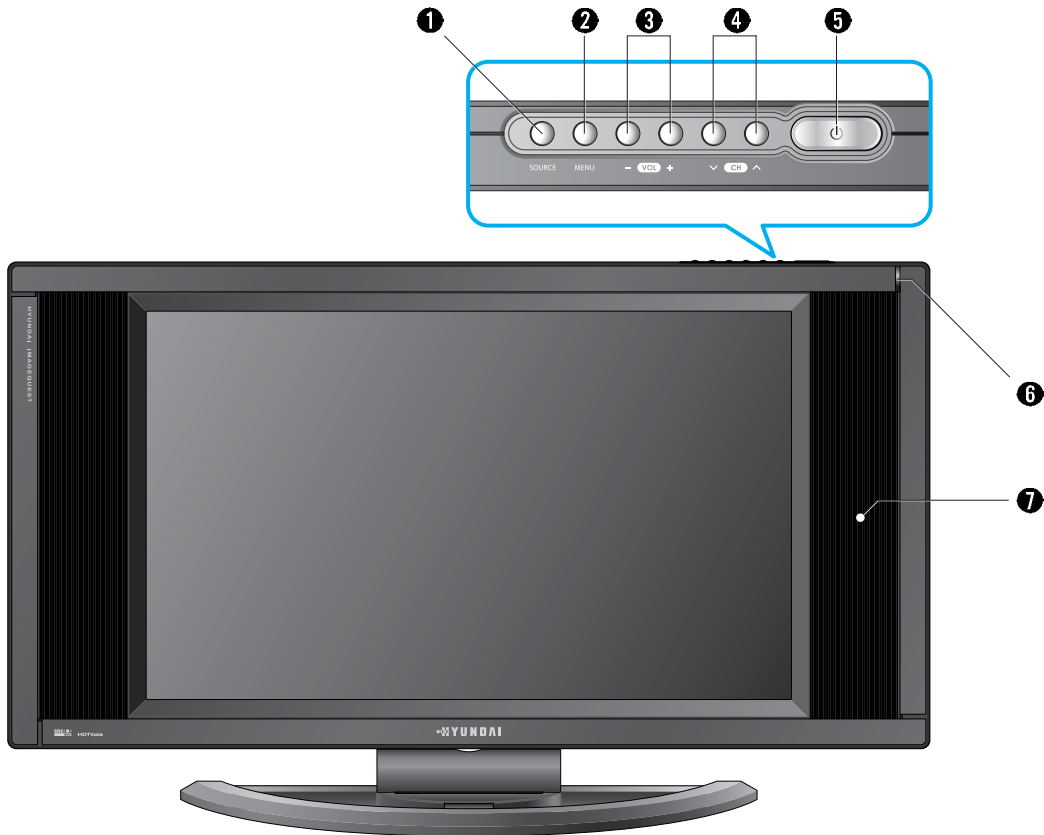


4. Hang the LCD TV assembled the Fixing Panel Assy on the Base Frame Assy. (If the LCD TV is lifted too much, the hanging Plastic may be separated)



# Parts Names and Functions

## Front View



\* The above image may look different from the real product.

### ❶ Source button

Use this button to switch among inputs connected to the LCD TV.

### ❷ Menu button

Use this button to display or exit from menus.

### ❸ Volume buttons

Use these buttons for your desired sound level. These buttons also serve as the cursor of Select/Adjust when in Menu mode.

### ❹ Channel buttons

Use these buttons to change channels. These buttons also serve as the cursor of Down and Up buttons when in Menu mode.

### ❺ Power button

Use this button to turn on or off the LCD TV.

### ❻ Remote sensor and power LED.

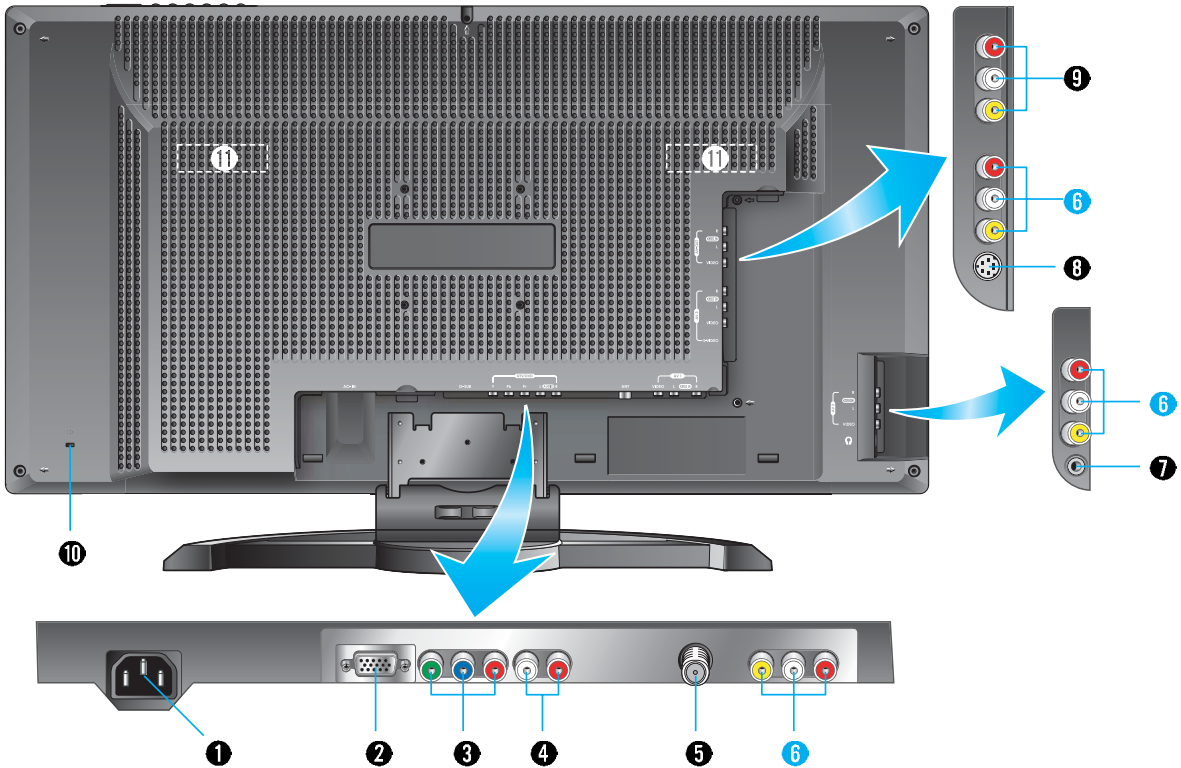
- Point the remote control toward here.
- It displays standby or operation status.

### ❼ Speaker

- Power Indicator Status -

Indicator	Status
Red	Stand-by
Green	Power on
Green blinking	Remote control

## Rear View

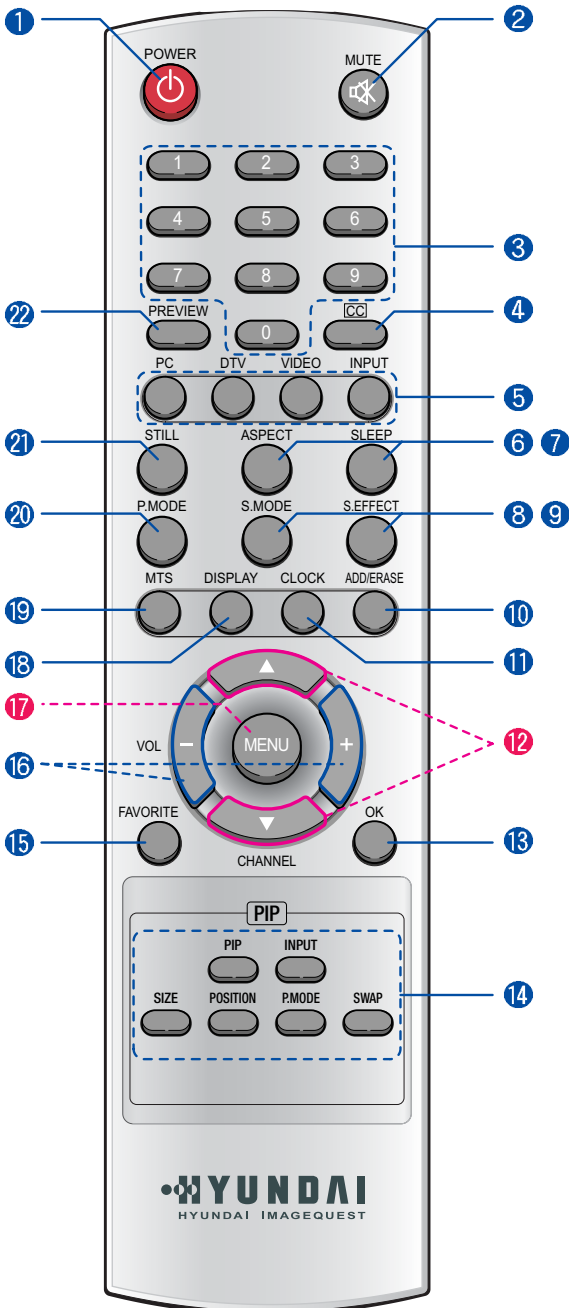


\* The above image may look different from the real product.

- ❶ Power input terminal**  
Power cord is connected here.
- ❷ D-SUB input terminal**  
Connect to the DTV Receiver with D-Sub terminal or to RGB output terminal of a PC.
- ❸ Component input terminal for DVD or DTV**  
Connect to the Component output terminal of DVD player/DTV receiver.
- ❹ Audio input terminal for PC, DVD or DTV**  
Connect to the audio output terminal of PC/DVD player/DTV receiver.
- ❺ ANT. input**  
This allows you to connect your antenna.
- ❻ Video and Audio Composite input terminal for VCR**  
Connect to the Composite Video output terminal of VCR or DVD player.
- ❼ Headphone Jack**  
Connect to the Headphone.
- ❽ S-video input terminal**  
Use this for the better video quality than Composite video input terminal.
- ❾ Video and Audio Composite output terminal for VCR**  
This allows you to view and listen the current program from another external source at the same time.
- ❿ Kensington security slot**  
This display unit supports a Kensington-type security device to secure your LCD TV. Kensington lock is not included.
- ⓫ Handgrip for carrying (For 32" TV only)**



# Remote Control



- 1 POWER/STANDBY**  
Use this button to turn the TV set on or off.
- 2 MUTE**  
Use this button to turn the sound off completely.
- 3 NUMERIC KEYS**  
Use these buttons to select channels and input digit.
- 4 CLOSED CAPTION (→ P. 61)**  
Use these buttons to select closed caption channel.
- 5 EXTERNAL SOURCE INPUT SELECTION**  
Use this button to display the available video sources.  
(TV, Video1-2-3, S-Video, DTV/DVD, PC)
- 6 ASPECT RATIO (→ P. 59)**  
Use this button to change the picture size.
- 7 SLEEP (→ P. 74)**  
Use this button to allow your TV to turn off automatically at designated time.
- 8 SOUND MODE (→ P. 41)**  
Use this button to select Sound Mode.
- 9 SOUND EFFECT (→ P. 44)**  
Use this button to select SRS WOW.
- 10 ADD/ERASE (→ P. 49)**  
Use this button to store or erase channels.
- 11 CLOCK (→ P. 68)**  
Use this button to display clock.
- 12 CHANNEL SELECTION**
  - Use these buttons to select channels.
  - Use these buttons to move each item of menu you want to choose.
  - Use these buttons to jump back to TV mode from other mode.
- 13 OK**  
Use this button to select each item of menu.

**14 PIP FUNCTIONS** (→ P. 35 ~ 36)

- PIP : Use this button for PIP On/Off.
- SIZE : Use this button to select Size.
- POSITION : Use this button to select Position.
- P.MODE : Use this button to select Picture Mode.
- SWAP : Use this button to swap between main picture and sub-picture.
- INPUT : Use this button to select the Input Source.

**15 FAVORITE** (→ P. 66)

Use this button to select the favorite channel.

**16 SELECT/ADJUST**

- Use this button to select or adjust each item of menu.
- Use this button to quickly adjust volume.

**17 MENU**

Use this button to bring up the OSD on the screen and jump back to the previous menu.

**18 DISPLAY** (→ P. 68)

Use this button to display resolution or various program information.

**19 MTS** (→ P. 45)

Use this button to display types of audio signals currently aired on TV. Or you can use this button to switch to other Sound Mode available.

**20 PICTURE MODE** (→ P. 33)

Use this button to select Picture Mode.

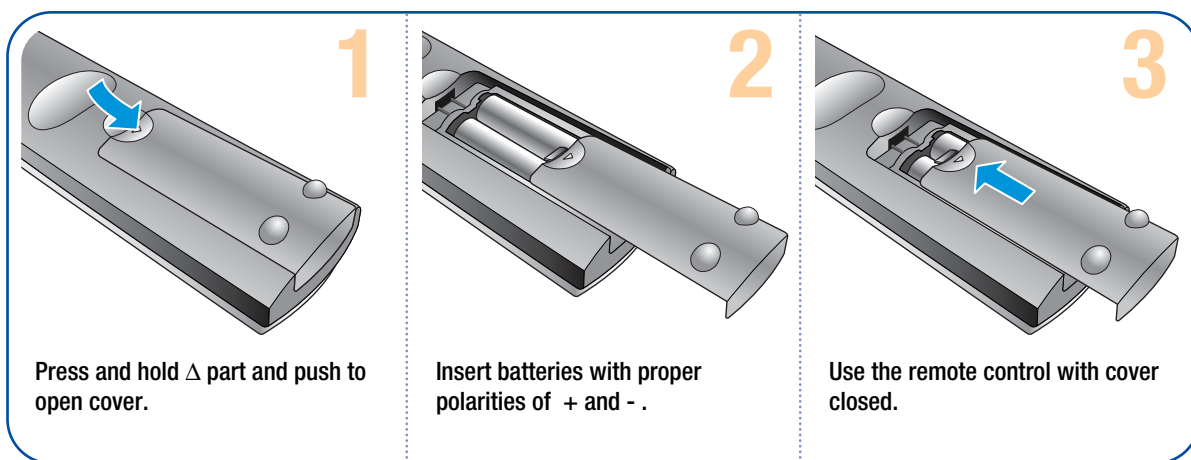
**21 STILL** (→ P. 60)

Use this button to freeze a picture.

**22 PREVIEW**

Use this button to return to the previous channel.

## How to Insert Batteries in Remote Control



\*Battery type : 1.5V/BP-2KM(AAA/LR03G)



