

ATTACHMENT E-1.

- USER'S MANUAL -



Hyundai Plasma Display

PT42AH000
User's Guide



U.S.A.

**U.S.FEDERAL COMMUNICATIONS COMMISSION RADIO FREQUENCY
INTERFERENCE STATEMENT INFORMATION TO THE USER**

NOTE : This equipment has been tested and found to comply with the limits for a
Class B digital device pursuant to Part 15 of the FCC Rules.

These limits are designed to provide reasonable protection against harmful
interference in a residential installation.

This equipment generates, uses, and can radiate radio frequency energy and, if not
installed and used in accordance with the instructions, may cause harmful
interference to radio communications.

However, there is no guarantee that interference will not occur in a particular
installation.

If this equipment does cause harmful interference to radio or television reception,
which can be determined by turning the equipment off and on, the user is
encouraged to try to correct the interference by one or more of the following
measures:

- Reorient or relocate the receiving antenna.
- Increase the separation between the equipment and receiver.
- Connect the equipment into an outlet of a circuit different from that to which the
receiver is connected.
- Consult the dealer or an experienced radio/TV technician for assistance.

Changes or modification not expressly approved by the party responsible for
compliance could void the user's authority to operate the equipment.

Connecting of peripherals requires the use of grounded shielded signal cables.

DECLARATION OF CONFORMITY

WE ImageQuest CO., LTD.
Ami-ri Bubal-Eub Ichon-Si Kyungki-Do
467-860 KOREA

declare under our sole responsibility that the product:

Kind of equipment : PDP TV

Type-Designation : PT42AH000

to which this declaration relates is in conformity with the
following standard(s) or other normative document(s)

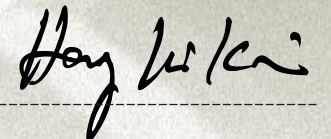
Safety : IEC60065:1998 / EN60065:1998
EMC : EN 55022 : 1998+A1:2000, EN 55024 : 1998+A1:2001
EN 61000-3-2 : 2000 / EN 61000-3-3 : 1995+A1:2001
EN 55013:1990+A12:1994+A13:1996+A14:1999
EN55020:1994+A11:1996+A13:1999+A14:1999+A12:1999

following the provisions of the Low Voltage Directive 73/23/EEC,
93/68/EEC and the EMC Directive 89/336/EEC.

Accredited testlaboratory:
TÜV Rheinland
Am Grauen Stein
51105 Köln

KOREA / November 26, 2003
Place and date of issue

HONG KI, KIM
Name and signature of
authorized person



General Information



Safety Precaution	5
Contents of the Package	7
Separately Sold Products	7
Parts Names and Functions	9
Remote Control	11



Safety Precaution

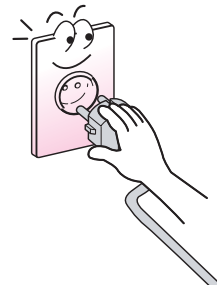
The contents of this section are provided for the safety of users and their property. Please read the contents before using.

Safety instructions are divided into "warning" and "alert". Their meanings are as follows.

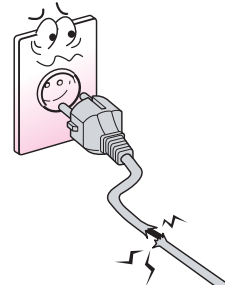
- ⚠ This pictorial sign is used when a caution is needed on a potentially dangerous items and operations.
- ⚠ **Warning** : When there is a possibility of serious injury or death upon violation of the displayed instruction.
- ⚠ **Alert** : When there is a possibility of slight injury or product damage upon violation of the displayed instruction.

Warning

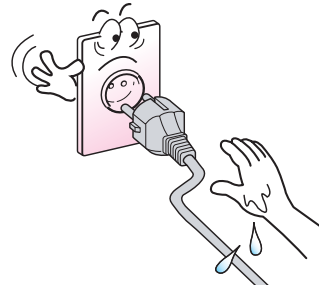
Firmly plug the power cord so that it does not pull out.
- Unstable connection may cause fire.



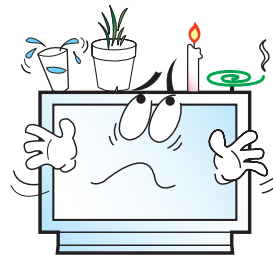
Do not use damaged power cord or plug, or loose outlet.
- They may cause electric shock or fire.



Never touch power plug with wet hand.
- They may cause electrocution.



Do not put water bowl, vase, candle, bug repellent, smoke, cigarette, small metal palette, or heavy thing on a PDP.
- It may cause electric shock or fire and also heavy things may cause injury when it falls.



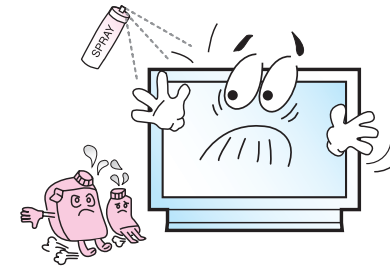
Do not install in a place where there are oil, smoke, or humidity, or where water is sprinkled or in a car.
- They may cause electric shock or fire.



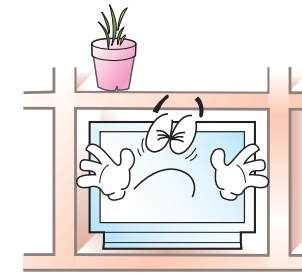
Do not install on an unstable place or small support.
- If a child touch a PDP on such place while playing, PDP may fall and injury the child.



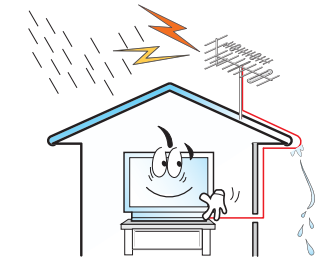
Do not use or store flammable spray or inflammables in a place near a PDP.
- They may cause explosion or fire.



Do not install a PDP in a bookshelf, closet, or a place where air is not well circulated.
- Fire may be caused due to the rise of internal temperature.



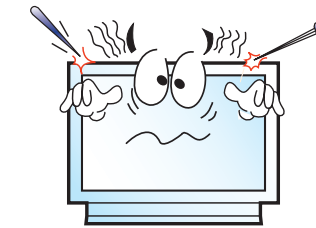
Bend an antenna line downward on a point where the line pass through from outdoor to indoor so that rainwater may not penetrate indoor.
- If raindrop gets into a PDP, fire or electric shock may be caused.



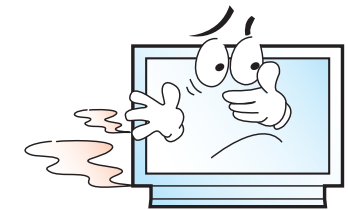
Never separate, fix, or modify at user's discretion.
- When there is a need for fixing, call a service center. Fire or electric shock may be caused.



Do not put a metallic object like chopstick, wire, or puncher or inflammables like paper or a match in a vent, headphone jack, or AV jacks of PDP.
- Electric shock or fire may be caused.

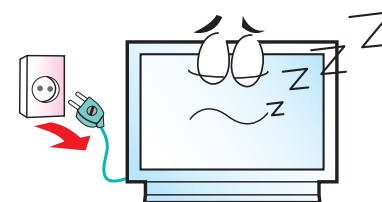


When a PDP produces abnormal noise, burning smell, or smoke, unplug the PDP immediately and call a service center.
- Electric shock or fire may be caused.

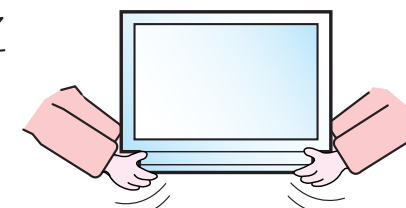


Alert

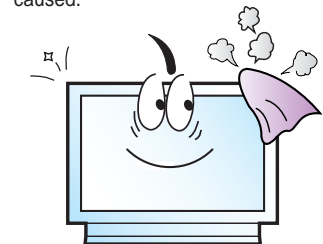
Unplug when you do not use your PDP for long time.
- If dust is stacked on a PDP, electric shock or fire may be caused from heat, fire, or deterioration of insulation.



When moving a PDP, 2 or more people are advised to carry it.
- Injury or damage may be caused when a PDP falls.



Consult a service center or customer service for inside cleaning about once a year.
- When dust is collected inside a PDP for long time, fire or malfunction may be caused.

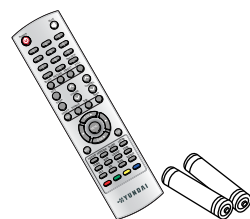




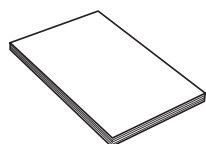
GENERAL INFORMATION

Contents of the Package

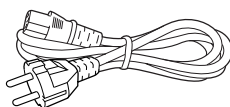
To purchase additional parts, consult a distributor or selling agent.



Remote Control/2 Batteries (1.5V AAA)



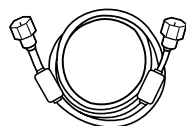
User's Guide



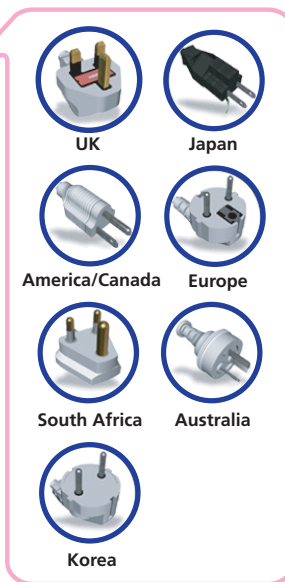
Power Cord



Speaker Cables

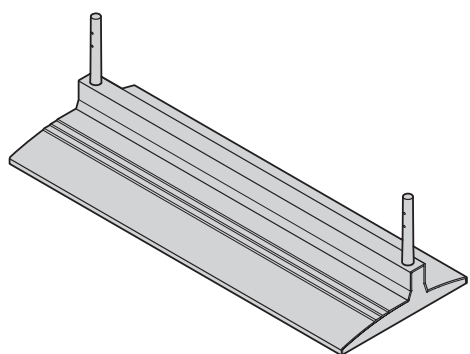


Antenna Cable

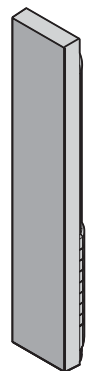


Separately Sold Products

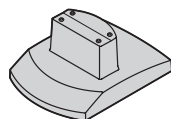
If you want to purchase separately sold products, consult a service center, electronics shops, or parts seller.



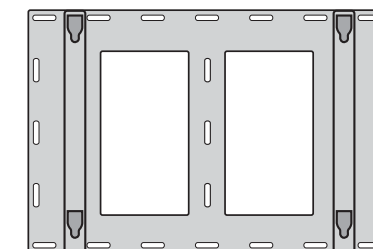
Desk type stand



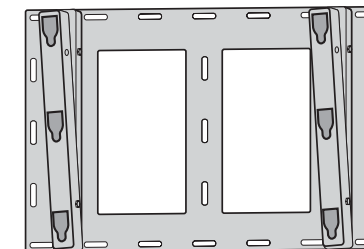
Desk type speaker



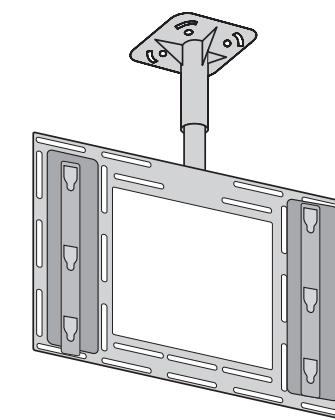
Desk type speaker stand



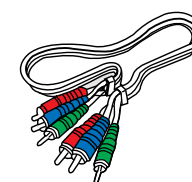
Fixed wall mount frame



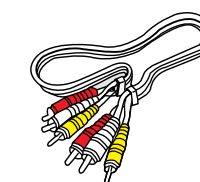
Adjustable wall mount frame



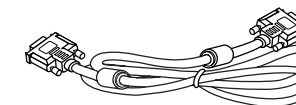
Ceiling mount frame



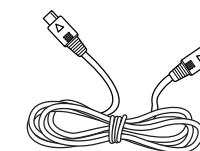
Component(Y, Pb, Pr) Cable



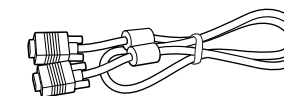
Composite(Video & Audio) Cable



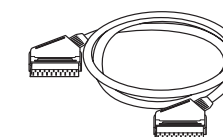
DVI PC video(digital) cable



S-video cable



PC signal Cable



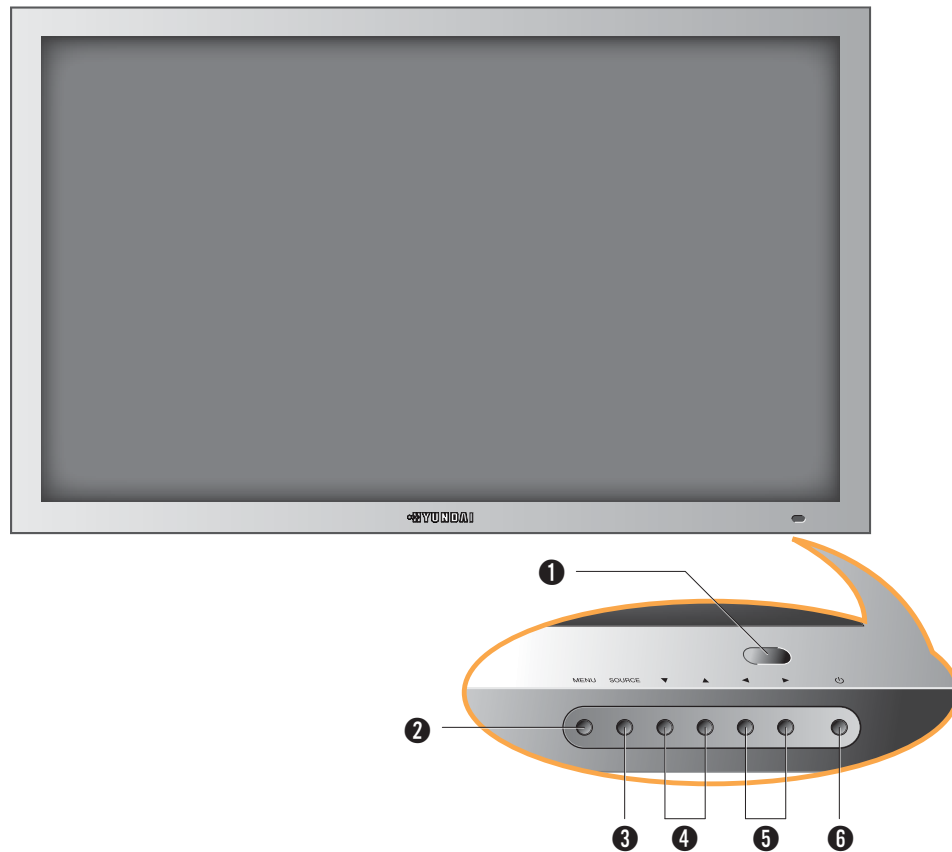
Scart cable

GENERAL INFORMATION



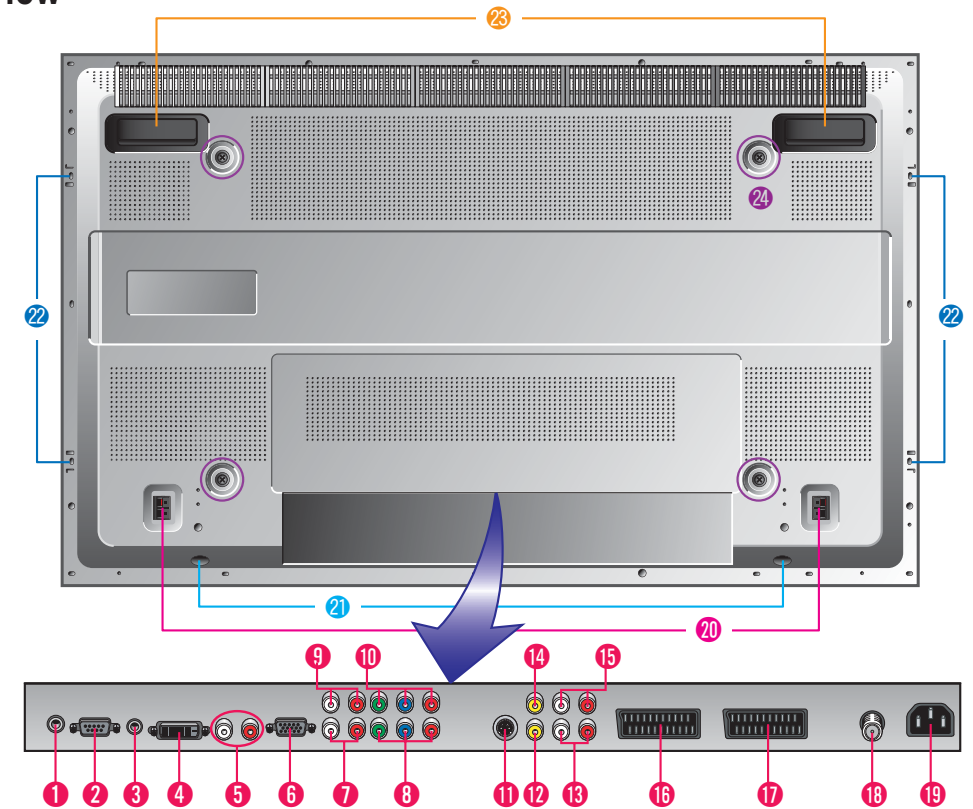
Parts Names and Functions

Front View



- 1 Remote sensor and power LED.**
Point the remote control toward here. It displays standby or operation status.
- 2 Menu button**
Use this button to display or exit from menus.
- 3 Source button (Page 11~15)**
Use this button to switch among inputs connected to PDP.
- 4 Channel buttons**
- 4 Volume buttons**
- 5 Power button:**
Use this button to turn on or off a PDP

Rear View



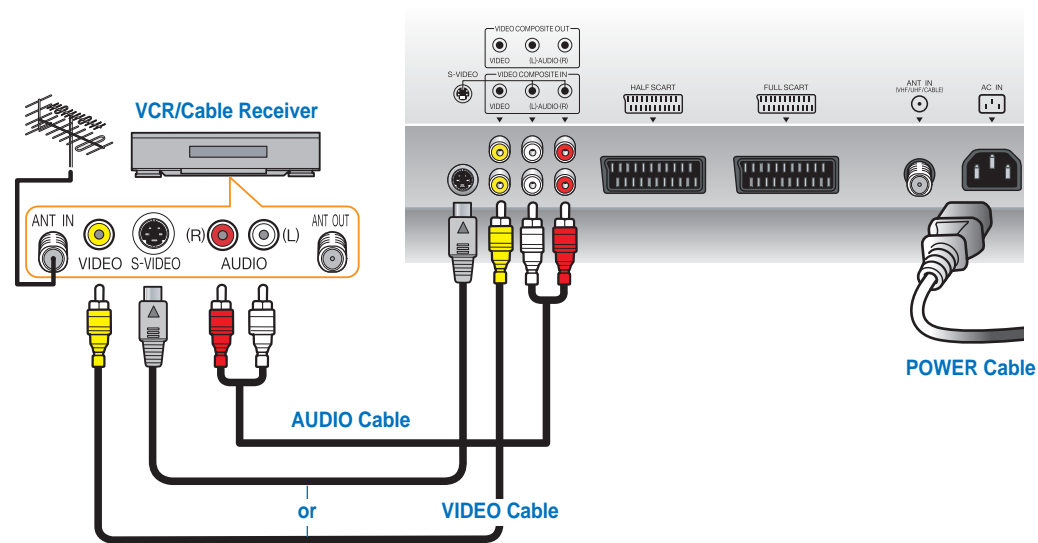
- 1 Sub woofer output**
Connect to the Sub woofer speaker
- 2 RS-232 input terminal**
Connect to the RS-232 terminal of a PC for the service check.
*For the control method using this terminal, consult an authorized PDP monitor dealer.
- 3 Phone Jack**
Extend an RS-232 input.
- 4 DVI input terminal**
DVI Terminal
- 5 PC/DVI Audio input terminal**
Connect to the audio output terminal of a PC.
- 6 D-SUB input terminal**
Connect to the video output terminal of a PC.
- 7 Audio input terminal for DVD**
Connect to the audio output terminal of DVD player.
- 8 Component input terminal for DVD or DTV**
Connect to the Component output terminal of DVD player/DTV receiver.
- 9 Audio input terminal for DTV Component**
Connect to the audio output terminal of DTV receiver.
- 10 Component input terminal for DTV**
Connect to the Component output terminal of DTV receiver for Digital broadcast.
- 11 S-video input terminal**
Use this for the better video quality than video input terminal.
- 12 Video Composite input terminal for VCR**
Connect to the Composite Video output terminal of VCR or DVD player.
- 13 Audio input terminal for VCR**
Connect this when S-video or Composite Video inputs.
- 14 Video output**
- 15 Audio output**
- 16 SCART input terminal**
For Composite Video inputs and audio inputs used in the European area.
- 17 SCART 2 input terminal**
For Composite Video/Audio or R,G,B inputs used in the European area.
- 18 ANT. input**
- 19 Power input terminal**
Power cord is connected here.
- 20 Speaker terminal**
- 21 Stand assembly**
- 22 Speaker assembly**
- 23 Carrying handles**
- 24 Screw hole for fixing on a wall**



Connecting VCR, Cable/Satellite Receiver

Connection Method

- 1 Connect Video/S-Video cable between Video/S-Video output terminal of VCR or Cable/Satellite receiver and Video/S-Video input terminal of PDP.
(Connect cables and terminal in the same colors)
- 2 Connect Audio cable (left:white color, right:red color) between Audio output terminal of VCR or cable/satellite receiver and Audio input terminal of PDP.
(Connect cables and terminal in the same colors)

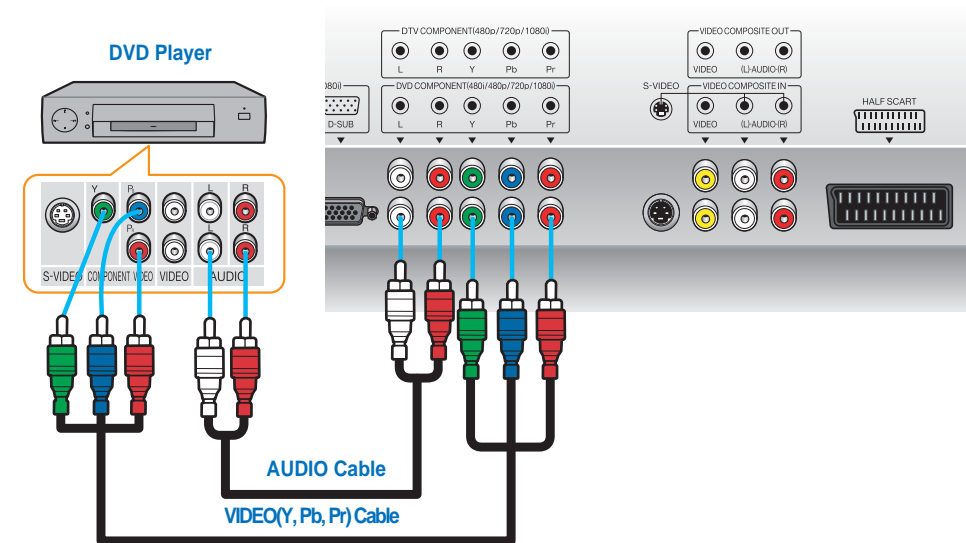


Use S-video cables for better picture quality.

Connecting a DVD player

Connection Method

- 1 Connect video cables(Y, Pb, Pr) between output terminals(Y, Pb, Pr) of DVD player and the input terminals(Y, Pb, Pr) of DVD(480i/480p/720p/1080i) on the rear of PDP.
(Connect cables and terminal in the same colors)
- 2 Connect Audio cable between Audio output terminal of DVD player and Audio input terminal for DVD Audio on the rear of PDP.
(Connect cables and terminal in the same colors)



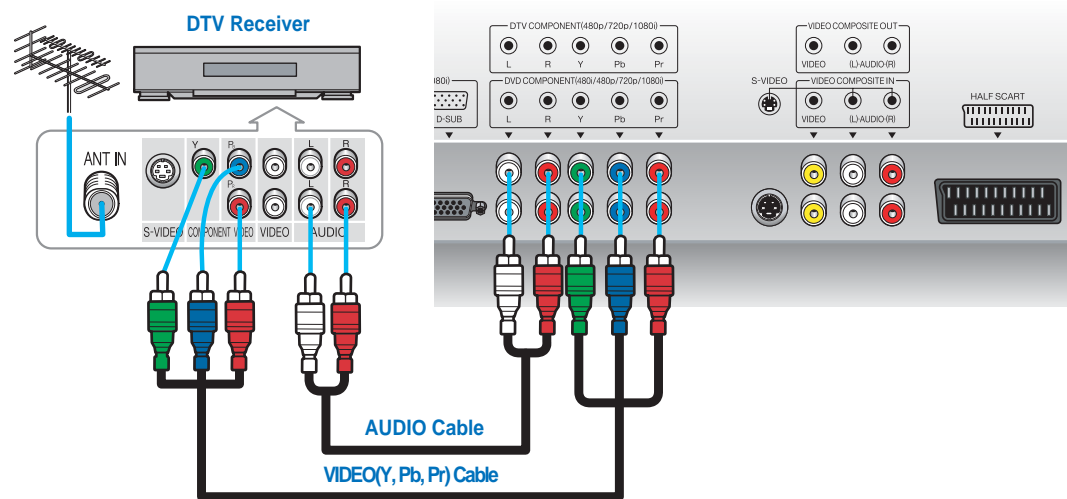
- 1
- 2



Connecting DTV(Digital Broadcast) Receiver

Connection Method

- 1 Connect video cables(Y, Pb, Pr) between output terminals(Y, Pb, Pr) of DTV Receiver and the input terminals(Y, Pb, Pr) of DTV(480p/720p/1080i) on the rear of PDP. (Connect cables and terminal in the same colors)
- 2 Connect Audio cable between Audio output terminal of DTV Receiver and Audio input terminal for DTV Audio on the rear of PDP. (Connect cables and terminal in the same colors)

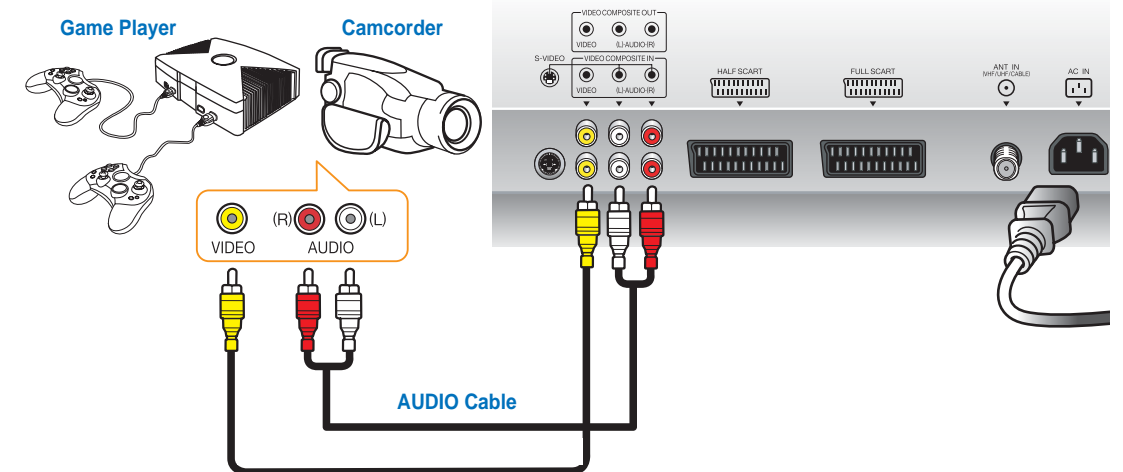


1
2

See The Camcorder

Connection Method

- 1 Connect Video cable between Video output terminal of Camcorder/Game player and Video input terminal of PDP. (Connect cables and terminal in the same colors)
- 2 Connect Audio cable (left:white color, right:red color) between Audio output terminal of Camcorder /Game player and Audio input terminal of PDP. (Connect cables and terminal in the same colors)



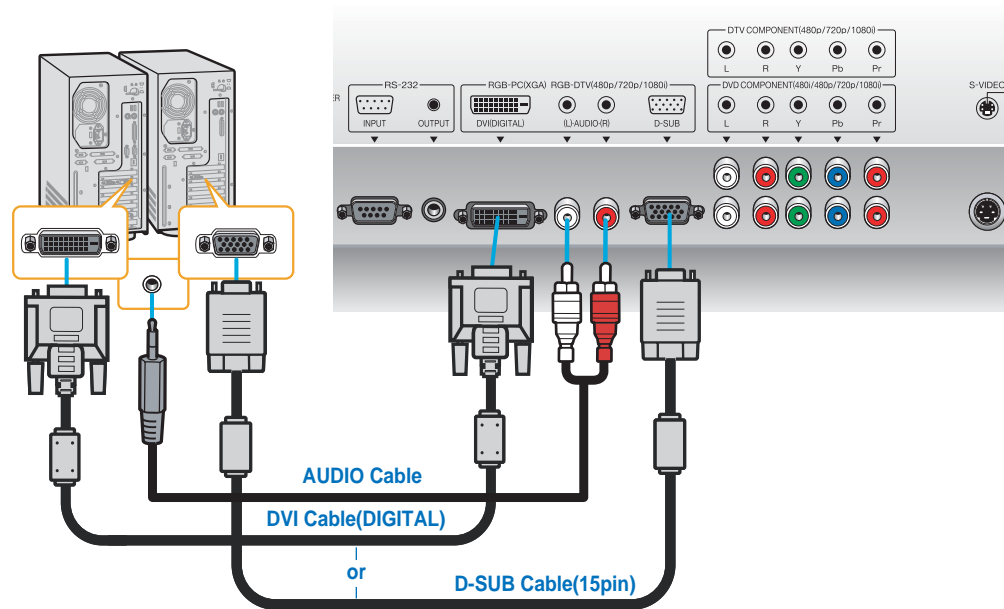
CONNECTIONS



Connecting to a PC(DVI, D-SUB)

Connection Method

- 1 Connect PC signal cable(15 pins D-sub) between output terminal of PC and the D-sub input terminal of a PDP. In case of DVI(Digital) cable, connect it between output terminal for DVI(DIGITAL) of PC and input terminal for DVI of PDP.
- 2 Connect Audio cable between Audio output terminal of PC and Audio input terminal for PC of PDP. (Connect cables and terminal in the same colors)



1
2

Resolutions Supported in PC

Resolution	Horizontal frequency	Vertical frequency
640 x 350	31.47	70.09
	37.86	85.08
640 x 480	31.47	59.94
	37.86	72.80
	37.50	75.00
	43.27	85.01
720 x 400	31.47	70.08
800 x 600	37.88	60.32
	48.08	72.18
	46.88	75.00
	53.67	85.06
832 x 624	49.72	74.55
1024 x 768	48.36	60.00
	60.02	75.03
	68.68	85.00

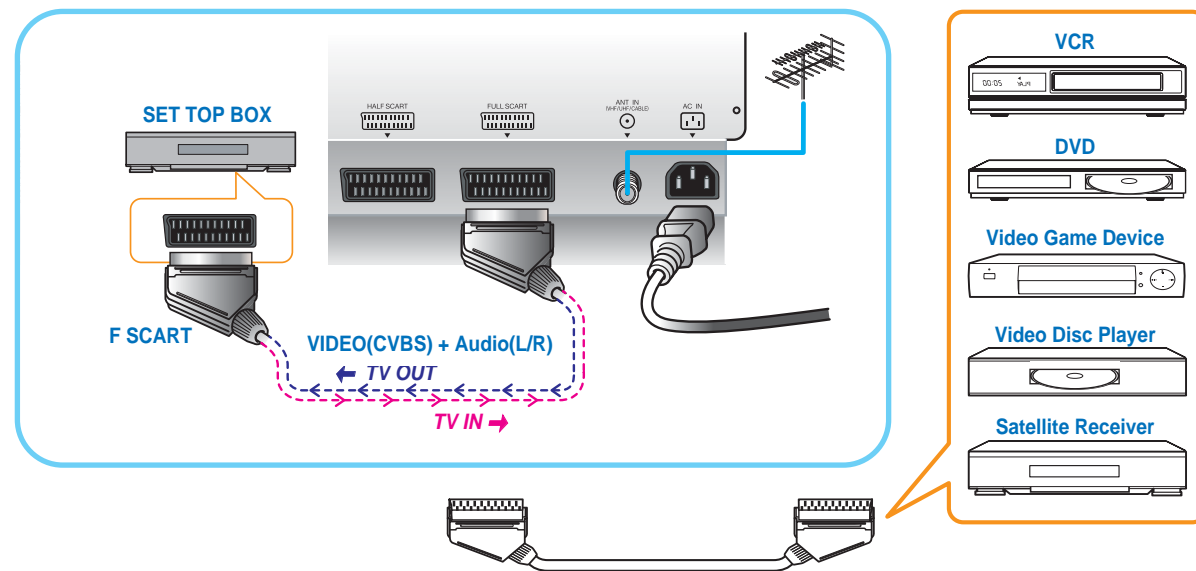
* Recommend Resolution is 1024x768@60Hz



Scart Connection to the External Input/Output

Connection Method

- 1 This end can be fitted with : A Scart connector
- 2 If you have a second VCR and wish to copy cassettes tape. Connect the source VCR to "F Scart" and the target VCR to "H Scart" so that you can redirect the signal from "H Scart" to "F Scart".



- F Scart input : RGB, CVBS
- F Scart output : CVBS(TV Out)
- H Scart input : CVBS
- H Scart output : CVBS(Monitor Out)

Scart Pin Specifications

If you wish to connect other equipment via the scart connectors on your TV, contact your dealer or a qualified technician to wire the A/V cable as illustrated below.

PIN	SIGNAL	PIN	SIGNAL
1	Audio Output R	12	-
2	Audio Input R	13	Red Input GND
3	Audio Output L	14	-
4	Audio Input GND	15	RGB Red Input
5	Blue Input GND	16	RGB Blinking Signal Input
6	Audio Input L	17	Video Output GND
7	RGB Blue Input	18	Video Input GND
8	Switching Voltage input	19	Video Output (CVBS)
9	Green Input GND	20	Video Input (CVBS)
10	-	21	Scart Connector GND
11	RGB Green Input		

Picture Setup



How to Select Picture Mode	27
How to Set the User Picture	28
How to Set Blue Screen	29
How to Set Film Mode	30
How to Select Color Temperature	31
How to Set PIP [Mode]	32
How to Set Multi-Screen [Input Source/Position/Size]	33
Noise Reduct	36



How to Select Picture Mode

Users can adjust picture mode automatically according to the input mode(TV, Video, S-Video, F/H Scart, DVD, DTV).

MENU Press Menu button. Menu items appear on the screen.

1 Press Up and Down buttons to move to "PICTURE" icon.

2 Press Left and Right button to select "MODE".

3 Press Left and Right button, then the menu changes in order below.
 ⇄ STANDARD ⇄ DYNAMIC ⇄ MOVIE
 ⇄ MILD ⇄ USER ⇄

EXIT Press **MENU** button after the setting is done, and Menu goes to the **previous menu**. If the **EXIT** button is pressed, the menu **disappears**.

- STANDARD** : For general contents. It fits most video contents.
- DYNAMIC** : For a clear display.
- MOVIE** : For movies.
- MILD** : For a soft display.
- USER** : When the user wants to set the values → see the next page

How To Directly Select Picture Mode : Press **PICTURE** button.

- Users can select **STANDARD** ⇄ **DYNAMIC** ⇄ **MOVIE** ⇄ **MILD** ⇄ **USER**, when the input mode is **TV, S-Video, F/H Scart, DVD, DTV**.
- Users can select **STANDARD** ⇄ **LOW**(Text Mode) ⇄ **HIGH**(Movie), when the input mode is **PC or DVI**.

How to Set the User Picture

Users can manually adjust the picture in their own ways.

MENU Press Menu button. Menu items appear on the screen.

1 Press Up and Down buttons to move to "PICTURE" icon.

2 Press Left and Right button to select "PICTURE".

3 Press Up and Down button to move to "PICTURE CUSTOM".

4 Press Left and Right button to select "PICTURE CUSTOM".
Picture Custom menu appears.

5 Choose item, then Press Left and Right button to adjust.

EXIT Press **MENU** button after the setting is done, and Menu goes to the **previous menu**. If the **EXIT** button is pressed, the menu **disappears**.

- CONTRAST** : Adjust the brightness and darkness of object and background.
- BRIGHTNESS** : Adjust the brightness of the entire picture.
- SHARPNESS** : Adjust clarity of outline of objects.
- COLOR** : Adjust colors into deeper or lighter colors.
- TINT** : Adjust colors naturally. → (The NTSC only mode it operates)



Setting of Color and Tint is not supported in PC, DVI and DTV input modes.



How to Set Blue Screen

MENU
Press Menu button.
Menu items appear on the screen.

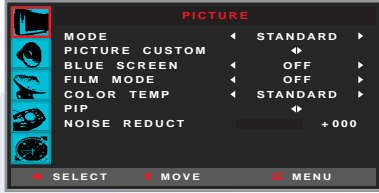
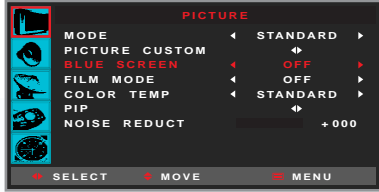
1 Press Up and Down buttons to move to "PICTURE" icon.

2 Press Left and Right button to select "PICTURE".

3 Press Up and Down button to move to "BLUE SCREEN".

4 Press Left and Right button to "ON/OFF".

EXIT
Press **MENU** button after the setting is done, and Menu goes to the **previous menu**.
If the **EXIT** button is pressed, the menu **disappears**.

How to Set Film Mode

Flicker 없이 사물의 윤곽선을 선명하게 시청하실 경우에 설정하십시오.

MENU
Press Menu button.
Menu items appear on the screen.

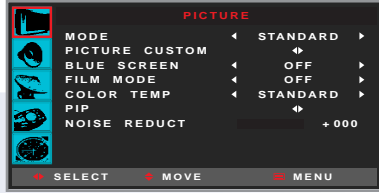
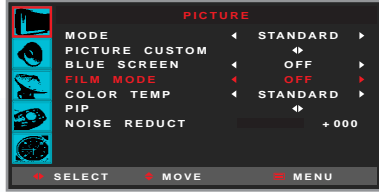
1 Press Up and Down buttons to move to "PICTURE" icon.

2 Press Left and Right button to select "PICTURE".

3 Press Up and Down button to move to "FILM MODE".

4 Press Left and Right button to "ON/OFF".

EXIT
Press **MENU** button after the setting is done, and Menu goes to the **previous menu**.
If the **EXIT** button is pressed, the menu **disappears**.

PICTURE SETUP

PICTURE SETUP



How to Select Color Temperature

Users can adjust Color as users want.

MENU
Press Menu button.
Menu items appear on the screen.

1 Press Up and Down buttons to move to "PICTURE" icon.

2 Press Left and Right button to select "PICTURE" icon.

3 Press Up and Down button to move to "COLOR TEMP".

4 Press Left and Right button, then Mode changes in order below.
⇒ STANDARD ⇒ COOL ⇒ WARM ⇒

EXIT
Press MENU button after the setting is done, and Menu goes to the previous menu.
If the EXIT button is pressed, the menu disappears.

STANDARD : Colors for general picture.
COOL : Cool colors with bluish tone.
WARM : Warm colors with reddish tone.

How to Set PIP [Mode]

This is to set PIP(Picture In Picture) mode or Twin mode.

MENU
Press Menu button.
Menu items appear on the screen.

1 Press Up and Down buttons to move to "PICTURE" icon.

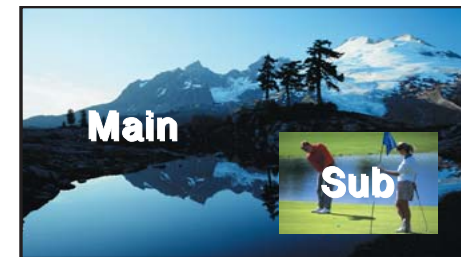
2 Press Left and Right button to select "PICTURE" icon.

3 Press Up and Down button to move to "PIP".

4 Press Left and Right button to select "PIP".
PIP Menu appears.

5 Press Up and Down button to move to "MODE".

6 Press Left and Right button, then Mode changes in order below.
⇒ PIP ⇒ TWIN ⇒ OFF ⇒



PIP : To watch the Sub screen in a main screen at once.



TWIN : To watch two screens in half and half.

After setting this, go to step 7 to set the SOURCE.

PICTURE SETUP

PICTURE SETUP