

Cordless 2.4GHz Compact Keyboard with touch pad

Using 2.4GHz Frequency Hopping Spread Spectrum (FHSS) Technology
It provides frequency hopping, long range and anti-interference for cordless operation.



RF-6496

Cordless 2.4GHz Compact Keyboard with touch pad US 6

	Zoom in and out • Press and drag left for Zoom in • Press and drag right for Zoom out
	Scroll up and down. • Press and drag up or down

Troubleshooting

What do I do if the cordless keyboard does not work?

- Check the USB dongle receiver is connected to your computer's USB port.
- Make sure the batteries are correctly installed into your cordless keyboard. (The positive (+) and negative (-) ends of each battery must match the polarity signs in the battery housing)
- Make sure the batteries power qualities are good for use.
- Please change batteries immediately when the cordless keyboard battery low indicator light up.
- Redo the ID Setting process . Please refer the ID Setting
- **Warning** : Please remove batteries from your cordless keyboard when not using for a long period of time.

Cordless 2.4GHz Compact Keyboard with touch pad US 7

System Requirement

To use the cordless touchpad keyboard , your computer must meet the following hardware requirements and run one of the operation system listed below.

- One available USB port
- Microsoft®Windows®, ME, 2000, XP,Vista™ ,7 or above
- Microsoft®Internet Explorer 5.0 or later version

All product names are trademarks or registered trademarks of their respective owners. Microsoft®, Windows® and Windows® logo are trademarks or registered trademarks of Microsoft ? Corporation in the United States and /or other countries.

Cordless 2.4GHz Compact Keyboard with touch pad

Federal Communication Commission Interference Statement

This equipment has been tested and found to comply with the limits for a Class B digital device, pursuant to Part 15 of the FCC Rules. These limits are designed to provide reasonable protection against harmful interference in a residential installation. This equipment generates, uses and can radiate radio frequency energy and, if not installed and used in accordance with the instructions, may cause harmful interference to radio communications. However, there is no guarantee that interference will not occur in a particular installation. If this equipment does cause harmful interference to radio or television reception, which can be determined by turning the equipment off and on, the user is encouraged to try to correct the interference by one of the following measures:

- ① Reorient or relocate the receiving antenna.
- ② Increase the separation between the equipment and receiver.
- ③ Connect the equipment into an outlet on a circuit different from that to which the receiver is connected.
- ④ Consult the dealer or an experienced radio/TV technician for help.

FCC Caution: To assure continued compliance, (example – use only shielded interface cables when connecting to computer or peripheral devices). Any changes or modifications not expressly approved by the party responsible for compliance could void the user's authority to operate this equipment.

This device complies with Part 15 of the FCC Rules. Operation is subject to the following two conditions:

- (1) This device may not cause harmful interference, and (2) this device must accept any interference received, including interference that may cause undesired operation.

Cordless 2.4GHz Compact Keyboard with touch pad US 1

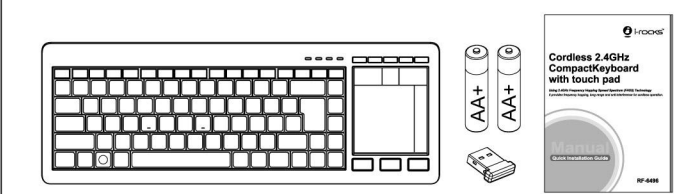
Cordless 2.4GHz Compact Keyboard with touch pad

Welcome

Congratulations on your purchase of i-rocks™ RF-6496 cordless Touchpad keyboard. The i-rocks™ RF-6496 cordless touchpad keyboard uses the latest 2.4GHz Frequency Hopping Spread Spectrum(FHSS) ISM RF technology to provide you with extended range and flawless communication between the keyboard, mouse, and your computer. The RF-6496 Touchpad Keyboard enables you to operate both mouse and keyboard from the same device within a radius of up to 10 meters from your computer. This is extremely useful as you connect PC to TV, take the keyboard with you to the sofa and you can easily surf the web, play music, watch films and more. The keyboard is also equipped with some of shortcut keys for standard Windows® applications. The built-in touchpad lets you use your finger as a mouse. A simple, handy solution.

Package Contents

- Cordless touch keyboard X 1
- USB Dongle Receiver X 1 (Stored in keyboard body)
- AA size alkaline batteries X 2
- Quick installation guide X 1



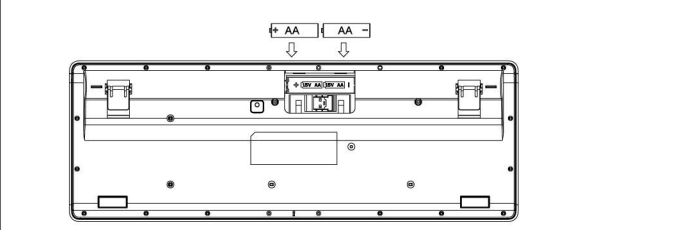
Cordless 2.4GHz Compact Keyboard with touch pad US 2

Specification

- Key number : 86 Keys (By language)
- Scissor-structure key-switches with new style slim keycap.
- Caps Lock / Battery low/ Power/ Touch mode LED indicators.
- 3.5 X 3 inch large touch pad area.
- Touchpad Resolution : 400 LPI
- Operating distance of up 10 M
- Up to 12 Months battery life (4hrs/day)
- Dimension :
Keyboard : 417(L) x 149(W) x 24.5(H) mm
Dongle : 17.8(L) x 15.2(W) x 4.7(H) mm

Hardware Installation

1. Connect the USB mini receiver to your computer by plugging
2. **Set up the Keyboard**(Put provided batteries into keyboard's batteries housing) Take the keyboard and make sure the 2 x AA alkaline batteries on the back are installed correctly, replace battery door. (Follow the polarity signs in the battery compartment.)



3. Ready to use.

Note : When not in use, please remove the batteries to save power

Cordless 2.4GHz Compact Keyboard with touch pad US 3

ID Setting

In general, the keyboard was done the ID setting while product, User doesn't do any thing about the ID setting. But in case of ID missing, please refer the below description for ID setting.

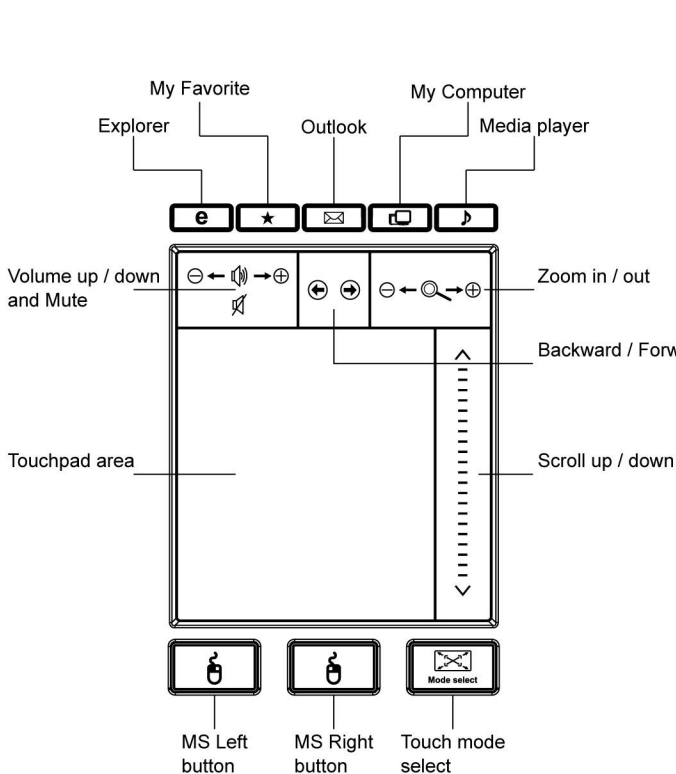
Each cordless keyboard has to get an ID from a specific receiver before start working, it also called ID Setting. The ID-Setting helps to protect against interference from other cordless devices in the same environment. Please follow below steps to complete the necessary ID-Setting process for your cordless Keyboard and USB dongle receiver.

1. Make sure the keyboard hardware installation is completed.
2. Plug the USB dongle receiver into your computer's USB port.
3. Waiting for the USB plug and play initialization completed, and the dongle receiver LED will light flush.
4. Move your cordless keyboard and close to the USB dongle receiver within 30cm, then press keyboard "ESC" key of the keyboard or link button on the bottom of keyboard for 3 to 4 seconds to set ID connection. (It will take about 4~8 seconds waiting time)
5. Once the ID setting process is completed, the receiver LED will light off. The receiver LED will light on again when cordless keyboard is working.
6. If the keyboard doesn't work properly, please remove the USB dongle receiver from computer's USB port, then repeat do step 3 to step 7 again.
7. Enjoy using your keyboard.

Cordless 2.4GHz Compact Keyboard with touch pad US 4

Product Information

The touchpad function is as the notebook's , others multi-function please refer to below.



Cordless 2.4GHz Compact Keyboard with touch pad US 5

LED indicator	<ul style="list-style-type: none"> Caps lock Power light Battery low Touch mode state
Mode select	<p>Two touchpad area modes exchange</p> <ul style="list-style-type: none"> • Mode1 : Multi-function pad mode (The LED of Mode will be OFF) • Mode2 : Full size touch pad mode (The LED of Mode will be ON)
	As right button of the mouse
	As left button of the mouse
	Shortcut for Explorer program
	Shortcut for My Favorite of Explorer.
	Shortcut for Outlook program
	Shortcut for my computer
	Shortcut for Windows Media Player
	<p>Volume up / down and Mute</p> <ul style="list-style-type: none"> • Press and drag left for Volume down • Press and drag right for Volume up • Double click on this area for Mute
	<p>Forward and Backward of Explorer</p> <ul style="list-style-type: none"> • Press and drag left for Backward • Press and drag right for Forward