



INSTRUCTION MANUAL

VHF MARINE TRANSCEIVER **IC-M402**

This device complies with Part 15 of the FCC rules. Operation is subject to the following two conditions: (1) This device may not cause harmful interference, and (2) this device must accept any interference received, including interference that may cause undesired operation.

Icom Inc.

NOTE FOR RF SAFETY



The installation of this equipment should be made in such a manner as to respect the EC recommended electromagnetic field exposure limits (1999/519/EC).

The maximum RF power available from this device is 25 watts. The antenna should be installed as high as possible for maximum efficiency and that this installation height should be at least 6 meters above ground (or accessible) level. In the case where an antenna cannot be installed at a reasonable height, then the transmitter should neither be continuously operated for long periods if any person is within 6 meters of the antenna, nor operated at all if any person is touching the antenna. If the antenna cannot be installed at 6 meters or greater, we recommend to use the one watt setting to minimize RF exposure.

In all cases any possible risk depends on the transmitter being activated for long periods. (actual recommendation limits are specified as an average of 6 minutes) Normally the transmitter is not active for long periods of time. Some radio licenses will require that a timer circuit automatically cuts the transmitter after 1–2 minutes etc.

IMPORTANT

READ ALL INSTRUCTIONS carefully and completely before using the transceiver.

SAVE THIS INSTRUCTION MANUAL — This instruction manual contains important operating instructions for the IC-M402.

IN CASE OF EMERGENCY

If your vessel requires assistance, contact other vessels and the Coast Guard by sending a distress call on Channel 16.

USING CHANNEL 16

DISTRESS CALL PROCEDURE

1. "MAYDAY MAYDAY MAYDAY."
2. "THIS IS" (name of vessel)
3. Your call sign or other indication of the vessel (AND 9-digit DSC ID if you have one).
4. "LOCATED AT" (your position)
5. The kind of the distress and assistance required.
6. Any other information which might facilitate the rescue.

Or, transmit your distress call using digital selective calling on Channel 70.

USING DIGITAL SELECTIVE CALLING (Ch 70)

DISTRESS CALL PROCEDURE

1. While lifting up the switch cover, push and hold [DISTRESS] for 5 sec. until you hear 5 short beeps change to one long beep.
2. Wait for an acknowledgment from a coast station.
 - Channel 16 is automatically selected.
3. Push and hold [PTT], then transmit the appropriate information as at left.

TABLE OF CONTENTS

SAFETY TRAINING INFORMATION	i	■ Position indication	11	13 HM-127 REMOTE-CONTROL	
IMPORTANT	i	■ Distress call	12	MICROPHONE	30–41
IN CASE OF EMERGENCY	ii	■ Transmitting DSC calls	13	■ Panel description	30
TABLE OF CONTENTS	iii	■ DSC individual ID	16	■ Function display	32
CAUTIONS	iv	■ Receiving DSC calls	17	■ HM-127 supplied accessories	33
1 OPERATING RULES	1	7 INTERCOM OPERATION	19	■ Installation	34
2 PANEL DESCRIPTION	2–4	■ Intercom operation	19	■ Channel selection	36
■ Panel description	2	8 SET MODE	20–21	■ Receiving and transmitting	37
■ Function display	3	■ Set mode programming	20	■ Lock functions	38
■ Microphone	4	■ Set mode items	20	■ Display backlighting	38
3 BASIC OPERATION	5–7	9 CONNECTIONS AND		■ Monitor function	38
■ Channel selection	5	MAINTENANCE	22–25	■ Call channel programming	39
■ Microphone lock function	6	■ Supplied accessories	22	■ Starting a scan	39
■ Receiving and transmitting	6	■ Antenna	22	■ Setting tag channels	39
■ Call channel programming	7	■ Fuse replacement	22	■ Dualwatch/Tri-watch operation	40
■ Channel names	7	■ Cleaning	22	■ Set mode programming	40
4 DUALWATCH/TRI-WATCH	8	■ Connections	23	■ Intercom operation	41
■ Description	8	■ Mounting the transceiver	24	■ Channel names	41
■ Operation	8	■ Dimensions	25		
5 SCAN OPERATIONS	9–10	10 TROUBLESHOOTING	26	TEMPLATE	
■ Scan types	9	11 CHANNEL LIST	27		
■ Setting tag channels	10	12 SPECIFICATIONS AND			
■ Starting a scan	10	OPTIONS	28–29		
6 DSC OPERATION	11–18	■ Specifications	28		
■ MMSI code programming	11	■ Options	29		
■ MMSI code check	21				

CAUTIONS

⚠ WARNING! NEVER connect the transceiver to an AC outlet. This may pose a fire hazard or result in an electric shock.

CAUTION: Changes or modifications to this device, not expressly approved by Icom Inc., could void your authority to operate this device under FCC regulations.

NEVER connect the transceiver to a power source of more than 16 V DC or use reverse polarity. This will ruin the transceiver.

NEVER cut the DC power cable between the DC plug and fuse holder. If an incorrect connection is made after cutting, the transceiver may be damaged.

NEVER place the transceiver where normal operation of the vehicle may be hindered or where it could cause bodily injury.

KEEP the transceiver at least 3.3 ft (1 m) away from the ship's navigation compass.

DO NOT use or place the transceiver in areas with temperatures below -4°F (-20°C) or above $+140^{\circ}\text{F}$ ($+60^{\circ}\text{C}$) or, in areas subject to direct sunlight, such as the dashboard.

AVOID the use of chemical agents such as benzine or alcohol when cleaning, as they may damage the transceiver surfaces.

BE CAREFUL! The transceiver rear panel will become hot when operating continuously for long periods.

Place the transceiver in a secure place to avoid inadvertent use by children.

BE CAREFUL! The transceiver and optional HM-127 employ waterproof construction, which corresponds to JIS waterproof specification, grade 7 (1 m/30 min.). However, once the transceiver or microphone has been dropped, waterproofing cannot be guaranteed due to the fact that the case may be cracked, or the waterproof seal damaged, etc.

◇ PRIORITIES

- Read all rules and regulations pertaining to priorities and keep an up-to-date copy handy. Safety and distress calls take priority over all others.
- You must monitor channel 16 when you are not operating on another channel.
- False or fraudulent distress signals are prohibited and punishable by law.

◇ PRIVACY

- Information overheard but not intended for you cannot lawfully be used in any way.
- Indecent or profane language is prohibited.

◇ RADIO LICENSES

(1) SHIP STATION LICENSE

You must have a current radio station license before using the transceiver. It is unlawful to operate a ship station which is not licensed.

Inquire through your dealer or the appropriate government agency for a Ship-Radiotelephone license application. This government-issued license states the call sign which is your craft's identification for radio purposes.

(2) OPERATOR'S LICENSE

A Restricted Radiotelephone Operator Permit is the license most often held by small vessel radio operators when a radio is not required for safety purposes.

The Restricted Radiotelephone Operator Permit must be posted or kept with the operator. Only a licensed radio operator may operate a transceiver.

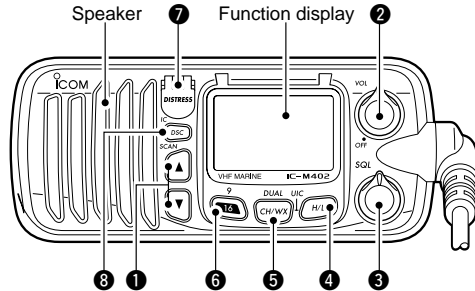
However, non-licensed individuals may talk over a transceiver if a licensed operator starts, supervises, ends the call and makes the necessary log entries.

Keep a copy of the current government rules and regulations handy.

Radio license for boaters (U.S.A. only)

The Telecommunications Act of 1996 permits recreational boaters to have and use a VHF marine radio, EPIRB, and marine radar without having an FCC ship station license. Boaters travelling on international voyages, having an HF single sideband radiotelephone or marine satellite terminal, or required to carry a marine radio under any other regulation must still carry a FCC ship station license. For further information, see the FCC Ship Radio Stations Fact Sheet.

■ Panel description



① CHANNEL UP / DOWN SWITCHES [▲] / [▼]

- ➔ Push to select the operating channels, set mode contents, etc. (p. 6)
- ➔ While pushing [H/L], push [▲] / [▼] to adjust the brightness of the LCD and switch backlight.
- ➔ Push for 1 sec. to start/stop scanning (p. 9)
- ➔ Push [▲] and [▼] for 1 sec. to toggle the tag setting for the displayed channel. (p. 10)

② POWER / VOLUME CONTROL [VOL]

Turns power ON and OFF and adjusts the audio level. (p. 6)

③ SQUELCH CONTROL [SQL]

Sets the squelch threshold level. (p. 6)

④ TRANSMIT POWER SWITCH [H/L]

- ➔ Toggles high and low power when pushed. (p. 6)
 - Some channels are set to low power only.

- ➔ While pushing this switch, other switches perform secondary functions.

⑤ CHANNEL SWITCH [CH/WX•DUAL]

- ➔ Selects and toggles the regular channels and weather channel when pushed momentarily. (p. 5)
- ➔ While pushing [HI/LO], selects one of 3 regular channels in sequence when pushed. (p. 5)
 - International, U.S.A. and Canadian channels are available for regular channels.
- ➔ Starts dualwatch or tri-watch when pushed for 1 sec. (p. 8)
- ➔ Stops dualwatch or tri-watch when either is activated.

⑥ CHANNEL 16/CALL CHANNEL SWITCH [16•9]

- ➔ Selects channel 16 when pushed. (p. 5)
- ➔ Selects call channel when pushed for 1 sec. (p. 5)
 - "CALL" appears when call channel is selected.
- ➔ Push for 3 sec. to enter call channel programming condition when call channel is selected. (p. 7)
- ➔ While pushing [H/L], enters memory name programming condition. (p. 7)
- ➔ Enters set mode when pushed while turning power ON. (p. 20)

⑦ DISTRESS SWITCH [DISTRESS]

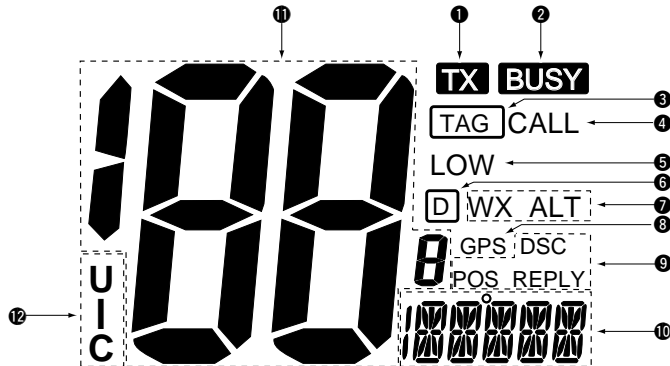
Transmits distress call when pushed for 5 sec. (p. 17)

⑧ DSC/POSITION SWITCH [DSC/ENT•POS]

- ➔ Selects the DSC menu when pushed. (p. 11)
- ➔ Shows current position and time from an optional GPS receiver, etc. when pushed for 1 sec. (p. 11)

2 PANEL DESCRIPTION

■ Function display



1 TRANSMIT INDICATOR (p. 6)

“TX” appears while transmitting.

2 BUSY INDICATOR (p. 6)

“BUSY” appears when receiving a signal or when the squelch opens.

3 TAG CHANNEL INDICATOR (p. 10)

Appears when a tag channel is selected.

4 CALL CHANNEL INDICATOR

“CALL” appears when the call channel is selected. (p. 5)

5 LOW POWER INDICATOR (p. 6)

“LOW” appears when low power is selected.

6 DUPLEX INDICATOR (p. 5)

Appears when a duplex channel is selected.

7 WEATHER CHANNEL INDICATOR (p. 5, 36)

- “WX” appears when a weather channel is selected.
- “ALT” appears when the weather alert function is in use; flashes when an alert tone is received.

8 GPS INDICATOR

- “GPS” appears while valid position data is received.
- “GPS” blinks when invalid position data is received.
- “GPS” disappears when no GPS receiver is connected.

9 DSC INDICATOR

- Indicates the DSC status. (p. 14)

10 CHANNEL NAME INDICATOR

- Channel comment appears if programmed. (p. 7)
- “LOW BATTERY” scrolls when the battery voltage drops to approx. 10 V DC or below.
- “TW” appears during dualwatch; “TW” appears during tri-watch. (p. 8)

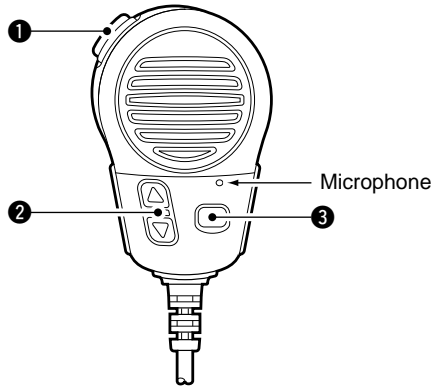
11 CHANNEL NUMBER READOUT

- Indicates the selected operating channel number. “A” appears when a simplex channel is selected. (p. 5)
- In set mode, indicates the selected condition. (p. 20)

12 CHANNEL GROUP INDICATOR (p. 5)

- Indicates whether a U.S.A. (USA), International (INT), or Canadian (CANADA) channel is in use.

■ Microphone



- ➔ While pushing [H/L], enters memory name programming condition. (p. 7)
- ➔ While pushing [16] on the supplied microphone, turn power ON to toggle the lock function ON and OFF. (p. 6)

① PTT SWITCH [PTT]

Push and hold to transmit; release to receive. (p. 6)

② CHANNEL UP/DOWN SWITCHES [▲]/[▼]

Push either switch to change the operating memory channel, set mode contents, etc. (p. 6)

③ CHANNEL 16/CALL CHANNEL SWITCH [16•9]

- ➔ Same as the [H/L] switch on the front panel. (p. 6)
- ➔ Selects channel 16 when pushed. (p. 5)
- ➔ Selects call channel when pushed for 1 sec. (p. 5)
 - “CALL” appears when call channel is selected.
- ➔ Push for 3 sec. to enter call channel programming condition when call channel is selected. (p. 7)

■ Channel selection

◇ Channel 16

Channel 16 is the distress and safety channel. It is used for establishing initial contact with another station and for emergency communications. Channel 16 is monitored during both dualwatch and tri-watch. While standing by, you must monitor channel 16.

- ➔ Push [16] momentarily to select channel 16.
- ➔ Push [CH/WX] to return to the condition before selecting channel 16, or push [▲] / [▼] to select an operating channel.



◇ Channel 9 (Call channel)

Each regular channel group has a separate leisure-use call channel. The call channel is monitored during tri-watch. The call channels can be programmed (p. 7) and are used to store your most often used channels in each channel group for quick recall.

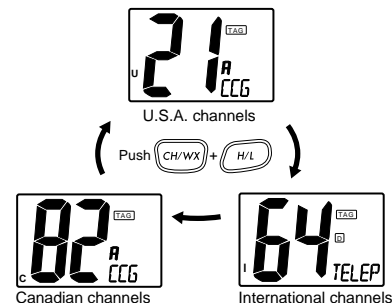
- ➔ Push [16] for 1 sec. to select the call channel of the selected channel group.
 - "CALLING" and call channel number appear.
 - Each channel group may have an independent call channel.
- ➔ Push [CH/WX] to return to the condition before selecting call channel, or push [▲] / [▼] to select an operating channel.



◇ U.S.A., Canadian and international channels

There are 57 U.S.A., 61 Canadian and 57 international channels. These channel groups may be specified for the operating area.

- ① Push [CH/WX] to select a regular channel.
 - If a weather channel appears, push [CH/WX] again.
- ② Push [CH/WX] while pushing [H/L] to change the channel group, if necessary.
 - U.S.A., International (INT) and Canadian channels can be selected in sequence.
- ③ Rotate the channel selector to select a channel.
 - "D" appears for duplex channels.
 - "A" appears for simplex channels.



◆ Weather channels


There are 10 weather channels. Used for monitoring weather channels from the NOAA (National Oceanographic and Atmospheric Administration) broadcasts.

The transceiver can detect a weather alert tone on the selected weather channel while receiving the channel, during standby on a regular channel or while scanning. (p. 20)

① Push [CH/WX] once or twice to select a weather channel.

- “WEATHER” appears when a weather channel is selected.
- “WX ALT” appears when the weather alert function is in use. (p. 20)

Push
once
or
twice




② Rotate the channel selector to select a channel.

- Channels are memorized separately for each channel group

■ Microphone lock function

The microphone lock function electrically locks the [▲]/[▼] and [16] switches on the supplied microphone. This prevents accidental channel changes and accidental function access.

- ➔ While pushing [16] on the supplied microphone, turn power ON to toggle the lock function ON and OFF.

■ Receiving and transmitting

CAUTION: Transmitting without an antenna may damage the transceiver.

- ① Turn [VOL] right to turn power ON.
- ② Set the audio and squelch levels.
 - ➔ Rotate [SQL] fully counterclockwise in advance.
 - ➔ Rotate [VOL] to adjust the audio output level.
 - ➔ Rotate [SQL] clockwise until the noise disappears.
- ③ Push [▲]/[▼] to select the desired channel. (p. 5)
 - When receiving a signal, “BUSY” appears and audio is emitted from the speaker.
- ④ Push [H/L] to select the output power if necessary.
 - “LOW” appears when low power is selected.
 - Choose high power for longer distance communications.
 - Some channels are for low power only.
- ⑤ Push and hold [PTT] to transmit, then speak into the microphone.
 - “TX” appears.
 - Channel 70 cannot be used for transmission (for GMDSS use).

Simplex channels, 3, 21, 23, 61, 64, 81, 82 and 83 **CAN-**
NOT be lawfully used by the general public in U.S.A. waters.

⑥ Release [PTT] to receive.

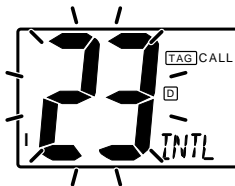
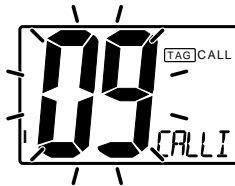
IMPORTANT: To maximize the readability of your transmitted signal, pause a few sec. after pushing [PTT], hold the microphone 4 to 6 inches (10 to 15 cm) from your mouth and speak at a normal voice level.

3 BASIC OPERATION

■ Call channel programming

The call channel is used to select Channel 9, however, you can program your most often-used channels in each channel group for quick recall.

- ① While pushing [H/L], push [CH/WX] one or more times to select the desired channel group (U.S.A., International, Canada) to be programmed.
- ② Push [16] for 1 sec. to select the call channel of the selected channel group.
 - "CALL" and call channel number appear.
- ③ Push [16] again for 3 sec. (until long beep changes to 2 short beeps) to enter call channel programming condition.
 - Channel number starts flashing.
- ④ Push [▲]/[▼] to select the desired channel.
- ⑤ Push [16] to program the displayed channel as the call channel.
 - Push [CH/WX] to cancel.
 - The channel number stops flashing.

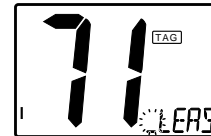


■ Channel names

Memory channels can be tagged with alphanumeric names of up to 10 characters each.

Capital letters, small letters, numerals, some symbols (! " # \$ % & ' () * + , - . /) and spaces can be used.

- ① Select the desired memory channel.
 - Cancel dual watch, tri-watch or scan in advance.
- ② While pushing [H/L], push [16] to edit memory channel name.
 - A cursor appears and blinks.



- ③ Select the desired character by pushing [▲]/[▼].
 - Push [CH/WX] or [H/L] for cursor movement.
- ④ Push [16] to input and set the name.
 - Push [H/L] to cancel.
 - The cursor disappears.
- ⑤ Repeat steps ① to ④ to program other memory channel names, if desired.

■ Description

Dualwatch monitors channel 16 while you are receiving another channel; tri-watch monitors Channel 16 and the call channel while receiving another channel.

DUALWATCH/TRI-WATCH SIMULATION



- If a signal is received on Channel 16, dualwatch/tri-watch pauses on Channel 16 until the signal disappears.
- If a signal is received on the call channel during tri-watch, tri-watch becomes dualwatch until the signal disappears.
- To transmit on the selected channel during dualwatch/tri-watch, push and hold [PTT].

■ Operation

- ① Select the desired operating channel.
- ② Select dualwatch or tri-watch in set mode. (p. 20)
- ③ Push [CH/WX] for 1 sec. to start dualwatch or tri-watch.
 - “DW” appears during dualwatch; “TW” appears during tri-watch.
 - Beep tone sounds when a signal is received on Channel 16.
- ④ To cancel dualwatch/tri-watch, push [CH/WX] again.

[Example]

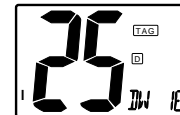
Operating dual-watch on INT channel 25



Dual-watch starts.



Signal received on channel 16 takes priority.



Dual-watch resumes after the signal disappears.

Operating tri-watch on INT channel 25



Tri-watch starts.



Signal is received on call channel.



Signal received on channel 16 takes priority.



Tri-watch resumes after the signal disappears.

■ Scan types

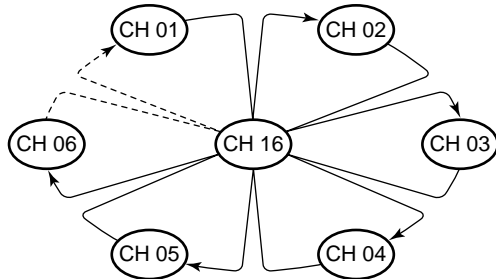
Scanning is an efficient way to locate signals quickly over a wide frequency range. The transceiver has priority scan and normal scan.

When the weather alert function is in use, the selected weather channel is checked while scanning. (p. 20)

Set the tag channels (scanned channel) before scanning. Clear the tag channels which inconveniently stop scanning, such as digital communication use.

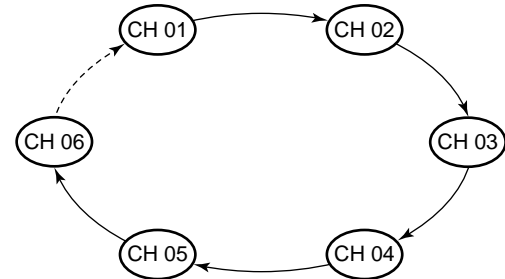
/// Choose priority or normal scan in set mode. (p. 20)

PRIORITY SCAN



Priority scan searches through all tag channels in sequence while monitoring Channel 16. When a signal is detected on Channel 16, scan pauses until the signal disappears; when a signal is detected on a channel other than Channel 16, scan becomes dualwatch until the signal disappears.

NORMAL SCAN



Normal scan, like priority scan, searches through all tag channels in sequence. However, unlike priority scan, Channel 16 is not checked unless Channel 16 is set as a tag channel.

■ Setting tag channels

For more efficient scanning, add desired channels as tag channels or clear tag channels for unwanted channels. Channels set as non-tag channels will be skipped during scanning. Tag channels can be assigned to each channel group (U.S.A., International, Canada) independently.

- ① While pushing [H/L], push [CH/WX] one or more times to select the desired channel group, if desired.
- ② Select the desired channel to set as a tag channel.
- ③ Push [▲] and [▼] for 1 sec. to set the displayed channel as a tag channel.
 - “TAG” appears in the function display.
- ④ To cancel the tag channel setting, repeat ③.
 - “TAG” disappears.

•Clearing all tag channels in the selected channel group

➔ While pushing [▲] and [▼], Turn power ON to clear all tag channels in the channel group.

■ Starting a scan

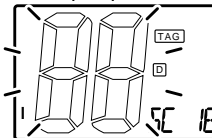
Set scan type (priority or normal scan) and scan resume timer in advance using set mode. (p. 20)

- ① Set tag channels as described at left.
- ② Make sure the squelch is closed to start a scan.
- ③ While pushing [H/L], push [CH/WX] one or more times to select the desired channel group, if desired.
- ④ Push [▲] or [▼] for 1 sec. to start priority or normal scan.
 - “Pri scan 16” or “Normal scan” appears in the function display.
 - When a signal is detected, scan pauses until the signal disappears or resumes after pausing 5 sec. according to set mode setting. (Channel 16 is still monitored during priority scan.)
 - Rotate the channel selector to check the scanning tag channels, to change the scanning direction or resume the scan manually.
 - “16” flashes and a beep tone sounds when a signal is received on Channel 16 during priority scan.
 - Push [▲] and [▼] for 1 sec. to set the paused channel as a tag channel.
- ⑤ To stop the scan, push [▲] or [▼].

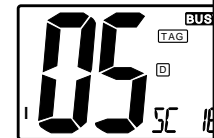
[Example]: Starting a priority scan.



Push
[▲] or [▼]
for 1 sec.



Scan starts.



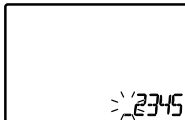
When a signal is received

■ MMSI code programming

The 9-digit MMSI (DSC self ID) code can be programmed at power ON.

▨ This function is not available when the MMSI code has been programmed by the dealer. This code programming can be performed only 2 times.

- ① Turn power OFF.
- ② While pushing [DSC], turn power ON to enter MMSI code programming condition.
- ③ After the display appears, release [DSC].
- ④ Select the desired number by pushing [▲]/[▼] .
- ⑤ Push [CH/WX] to advance the cursor.
 - Push [H/L] to move the cursor backward.
- ⑥ Repeat steps ④ and ⑤ to input 9 digit code.
- ⑦ Push [DSC] to input and set the code.
 - The previously selected channel appears.



■ MMSI code check

The 9-digit MMSI (DSC self ID) code can be checked.

- ① Push [DSC] to select the DSC menu.
- ② Push [▲]/[▼] to select "MMSI" and push [DSC].



- ③ Check the 9-digit MMSI (DSC self ID) code.
- ④ Push [DSC] to exit the condition.



■ Position indication

When an optional GPS receiver (NMEA0183 ver. 2.0) is connected, the transceiver can display the current position and time.

A GPS receiver appropriate for the IC-M402 is not supplied from Icom. An NMEA0183 ver. 2.0 is required for position indication. Ask your dealer about the GPS receiver.

➡ While pushing [H/L], push [DSC] for 1 sec. to display the current position.

- "Latitude and longitude are displayed alternately.



■ Distress call

A distress call should be transmitted if, in the opinion of the Master, the ship or a person is in distress and requires immediate assistance.

NEVER USE THE DISTRESS CALL WHEN YOUR SHIP IS NOT IN AN EMERGENCY. A DISTRESS CALL CAN BE USED ONLY WHEN IMMEDIATE HELP IS NEEDED.

- ① Confirm any distress call is not being received.
- ② While lifting up the switch cover, push the [DISTRESS] switch for 5 sec. to transmit the distress call.
 - An emergency channel (Ch 70) is automatically selected and the distress call is transmitted..
- ③ After transmitting the call, the transceiver waits for an acknowledgment call on Ch70.
 - The distress call is automatically transmitted every 3.5 to 4.5 minutes.
 - "DSC RPEAT" scrolls.
- ④ When receiving the acknowledgment, reply to the connected station via the microphone.
 - "RCV Distress ACK" scrolls.



- Distress alert contains (default);
 - Kinds of distress : Undesignated distress
 - Position data : Latest GPS position data held for 23.5 hrs. or until the power is turned OFF.
- The distress call is repeated every 3.5–4.5 min., until receiving an 'acknowledgement.'
- Push [DISTRESS] to transmit a renewed distress call, if desired.
- Push [16] to cancel the 'Call repeat' mode.

6 DSC OPERATION

■ Transmitting DSC calls

◆ Transmitting individual call

The individual call function allows you to transmit a DSC signal to a specific party only.

- ① Select a desired channel other than Channel 70.
- ② Push [DSC] to select the DSC menu
- ③ Push [▲]/[▼] to select "individual" and push [DSC].
- ④ Push [▲]/[▼] to select the desired pre-programmed individual address.
 - The ID code for the individual call can be set in advance. (p. 22)
- ⑤ Push [DSC] to enter pre-programmed individual address.
 - 'OK' appears.
- ⑥ Push [DSC] to transmit the individual call.
 - Channel 70 is selected and the individual call is transmitted to the selected station.
 - If Channel 70 is busy, the transceiver stands by until the channel becomes clear.
 - Routine category only is available.



Push [DSC] to transmit DSC CALL.



When Ch 70 is busy.

- ⑦ Standby on Channel 70 until an acknowledgement is received.

- "WAITING ACK" scrolls.

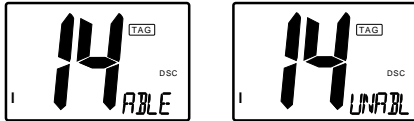


- ⑧ When the acknowledgement is received, the display changes to the previously selected user channel with beeps.
- ⑨ Push and hold [PTT] to communicate your message to the responding party.

◆ **Transmitting individual acknowledgement**

Transmit an acknowledgement ('able to comply' or 'unable to comply') when an individual call for you is received.

- ① "RCV Individual" scrolls.
- ② Push [▲] or [▼] to select the acknowledgement "ABLE" or "UNABLE".



- ③ Push [DSC] to enter selected individual call acknowledgement, "OK" appears.



- ④ Push [DSC] to transmit individual call acknowledgement



- ⑤ If you select "Able", the channel specified by the calling station is automatically selected.



◆ **Transmitting all ships call**

Large ships use Channel 70 as their "listening channel." When you want to announce a message to these ships, use the "all ships call" function.

- ① Select a desired channel other than Channel 70.
- ② Push [DSC] to select the DSC menu
- ③ Push [▲]/[▼] to select "ALL SHIPS".
 - Routine category only is available.



- ④ Push [DSC] to enter all ships call.
 - 'OK' appears.



- ⑤ Push [DSC] to transmit the all ships call.
 - Channel 70 is selected and the all ships call is transmitted.
 - Routine category only is available.



- ⑥ The all ships call has been transmitted.
 - A previous channel is selected automatically.



- ⑦ Push [PTT] or [▲]/[▼] to exit the condition.

6 DSC OPERATION

◆ Transmitting position request call

Transmit a position request call when you want to know your friend's current position, etc.

- ① Select a desired channel other than Channel 70.
- ② Push [DSC] to select the DSC menu
- ③ Push [▲]/[▼] to select "POS REQUEST".



- ④ Push [▲]/[▼] to select the desired pre-programmed individual address.

- The ID code for position request can be set in advance. (p. 22)



- ⑤ Push [DSC] to enter pre-programmed individual address.
 - "OK" appears.
- ⑥ Push [DSC] to transmit the position request call.
 - Channel 70 is selected and the position request call is transmitted.



- ⑦ The position request call has been transmitted.
 - "WAITING ACK" scrolls.



- ⑧ Push [PTT] or rotate the channel selector to exit the condition.

◆ Transmitting position reply call

Transmit a position reply call when a position request call is received.

- ① "DSC" appears and "RCV Pos request" scrolls in the display.



- ② Push [DSC] to reply to the position request call; push [H/L] to ignore the position request call.

■ DSC individual ID

A total of 40 DSC address ID's can be programmed and named with up to 10 characters.

◇ Programming address ID

- ① Push [DSC] to select the DSC menu.
- ② Push [▲]/[▼] to select "ADDRESS" and push [DSC].



- ③ Push [▲]/[▼] to select "ADD" and push [DSC].



- ④ Set the distress ID and ID name, then push [DSC/ENT].

- Rotate the channel selector to select the character.
- Push [H/L] to advance the cursor.
- Push [CH/WX] to move the cursor backward.
- Push [16] to cancel and exit the condition.
- Up to 5 characters available to enter ID names.



- ⑤ Push [DSC] to program and to exit the condition.

◇ Deleting address ID

- ① Push [DSC] to select the DSC menu.
- ② Push [▲]/[▼] to select "ADDRESS" and push [DSC].
- ③ Push [▲]/[▼] to select 'DEL,' then push [DSC].
 - When no address ID is programmed, the transceiver exits the condition automatically.
- ④ Select the desired ID name pushing [▲]/[▼], then push [DSC].
- ⑤ Push [DSC] to delete the address ID; push an other switch to exit the condition.



■ Receiving DSC calls

◇ Receiving a distress call

While monitoring Channel 70 and a distress call is received:

- ➔ Emergency alarm sounds for 2 minutes.
 - Push any switch to stop the alarm.
- ➔ “DSC” appears and “RCV Distress” scrolls in the display, then Channel 16 is automatically selected.
- ➔ Continue monitoring Channel 16 as a coast station may require assistance.



◇ Receiving a distress acknowledgement

While monitoring Channel 70 and a distress acknowledgement to other ship is received:

- ➔ Emergency alarm sounds for 2 minutes.
 - Push any switch to stop the alarm.
- ➔ “RCV Distress ACK” scrolls in the display, then Channel 16 is automatically selected.



◇ Receiving a distress relay acknowledgement

While monitoring Channel 70 and a distress relay acknowledgement is received:

- ➔ Emergency alarm sounds for 2 minutes.



- Push any switch to stop the alarm.

- ➔ “RCV Distress Relay ACK” scrolls in the display; then, Channel 16 is automatically selected.

◇ Receiving a distress relay call

While monitoring Channel 70 and a distress relay call is received:

- ➔ Emergency alarm sounds for 2 minutes.
 - Push any switch to stop the alarm.
- ➔ “RCV Distress Relay” appears in the display, then Channel 16 is automatically selected.
- ➔ Monitor Channel 16 until the emergency communication has been completed.



◇ Receiving an all ships call

While monitoring Channel 70 and an all ships call is received:

- ➔ Emergency alarm sounds when the category is “Distress” or “Urgency;” 2 beeps sound for other categories.
- ➔ “RCV All ships” scrolls in the display; then, the channel specified by the calling station is automatically selected for voice communication.
- ➔ Monitor the selected channel for an announcement from the calling vessel.



◆ Receiving an individual call

While monitoring Channel 70 and an individual call is received:

- ➔ Emergency alarm or beeps sound depending on the received category.
- ➔ “RCV Individual” scrolls in the display, then the channel specified by the calling station is automatically selected for checking the channel condition.



◆ Receiving a geographical area call

While monitoring Channel 70 and a geographical area call (for the area you are in) is received:

- ➔ Emergency alarm or beeps sound depending on the received category.
- ➔ “RCV Geographic” scrolls, then the channel specified by the calling station is automatically selected for voice communications.
- ➔ Monitor the selected channel for an announcement from the calling ship.

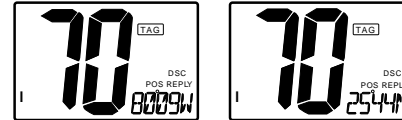


When no GPS receiver is connected or if there is a problem with the connected receiver, all geographical area calls are received, regardless of your position.

◆ Receiving a position reply call

While monitoring Channel 70 and a position reply call (for the area you are in) is received:

- ➔ “Received POS” appears in the display.
 - “Latitude and longitude are displayed alternately.



When no GPS receiver is connected or if there is a problem with the connected receiver, all geographical area calls are received, regardless of your position.

◆ Receiving a position request call

While monitoring Channel 70 and a position request call (for the area you are in) is received:

- ➔ “RCV Pos request” scrolls in the display.
- ➔ Push [DSC] to reply to the call.



When no GPS receiver is connected or if there is a problem with the connected receiver, all geographical area calls are received, regardless of your position.

■ Intercom operation

The optional intercom function allows you to talk to the deck from the cabin. The optional HM-127 REMOTE-CONTROL MICROPHONE is required for intercom operation.

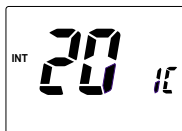
Connect an optional HM-127 as described on p. 37.

- Transmitting is impossible during intercom operation.
- The received signal is muted during intercom operation.

- ① Push [DSC] for 1 sec. to enter intercom mode.
 - The HM-127 power is automatically turned ON, even if the HM-127 power is OFF.



IC-M402



HM-127

- ② Push and hold [DSC] again to call up.
 - The transceiver and microphone emit call beeps.
- ③ Push and hold the PTT switch and speak at a normal voice level into the microphone.
 - "TALK" or "LSTN" appears on the caller or listener function display, respectively.
 - To adjust the IC-M402's speaker output level, rotate [VOL].
 - To adjust the HM-127's speaker output level, push [▲]/[▼] after pushing [VOL] on the HM-127.



IC-M402 (caller)



HM-127 (listener)

- ④ After releasing the PTT switch you can hear the response through the speaker.
- ⑤ To return to normal operation, push [DSC] momentarily.
 - Other switches also turn the function OFF, however, the corresponding function is then activated e.g. pushing [16] selects Channel 16.

- While in the intercom mode, the transceiver functions (transmit and receive) are interrupted. If the transceiver is in transmit condition, the intercom function is not available.
- When a DSC call is received, "DSC received" appears and the last received DSC message is displayed after the intercom use is finished.
- When a WX alert is received, "WX ALT" flashes and a beep sounds. The WX alert sounds after the intercom use is finished.

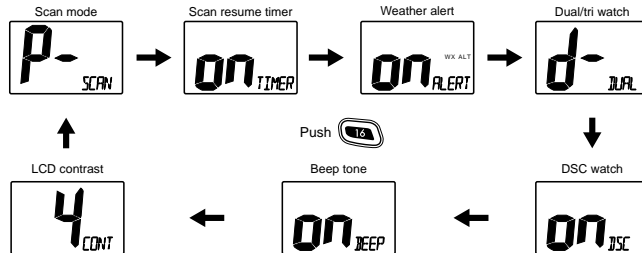
■ Set mode programming

Set mode is used to change the conditions of some of the transceiver's functions.

- ▨ • Available functions may differ depending on dealer setting.
- ▨ • The optional HM-127 has it's own settings for the beep tone and LCD contrast.

- ① Turn power OFF.
- ② While pushing [16], turn power ON to enter set mode.
- ③ After the display appears, release [16].
- ④ Push [16] to select the desired item, if necessary.
- ⑤ Push [▲]/[▼] to select the desired condition of the item.
- ⑥ Turn power OFF, then ON again to exit set mode.

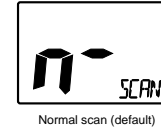
• SET MODE CONSTRUCTION



■ Set mode items

◇ Scan mode

The scan mode can be selected as a normal scan or priority scan. (p. 9)



Normal scan (default)



Priority scan

◇ Scan resume timer

The scan resume timer can be selected as a pause (OFF) or timer scan (ON).

When OFF is selected, the scan pauses until the signal disappears. When ON is selected, the scan pauses 5 sec. and resumes even if a signal is being received on channels except for Channel 16.



Scan timer OFF (default)



Scan timer ON

◇ Weather alert

An NOAA broadcast station transmits a weather alert tone before important weather information. When

the weather alert function is turned ON, the transceiver detects the alert, then flashes the "WX ALT" indicator until the transceiver is operated. The previously selected (used) weather channel is checked any time during standby or while scanning.

- "ALT" appears with "WX" indication when the function is set ON.



Weather alert OFF (default)

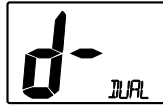


Weather alert ON

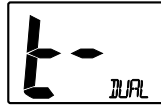
8 SET MODE

◇ Dual/tri watch

This item can be selected as dual watch or tri-watch. (p. 8)



Dual watch (default)



Tri-watch

◇ DSC watch

DSC watch monitors Channel 70 while you are receiving another channel.



DSC watch ON (default)



DSC watch OFF

If a distress signal is received on Channel 70, the transceiver monitors Channel 16 and 70 alternately until the distress signal disappears. If a signal is received on another channel, DSC watch pauses until the signal disappears.

/// This function may not be available for some channel groups depending on dealer setting.

◇ Beep tone

You can select silent operation by turning beep tones OFF or you can have confirmation beeps



Beep tone ON (default)



Beep tone OFF

sound at the push of a switch by turning beep tones ON.

◇ LCD contrast

This item adjusts the contrast of the LCD in 4 steps.

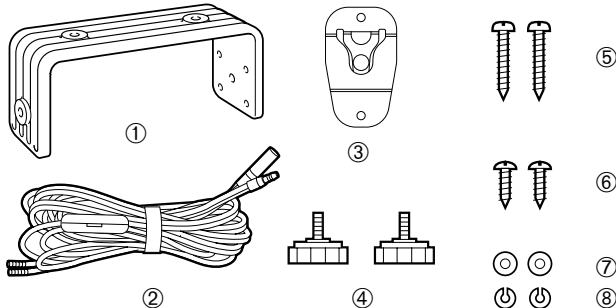


LCD contrast 3 (default)

■ Supplied accessories

The following accessories are supplied: Qty.

- ① Mounting bracket 1
- ② DC power cable (OPC-891) 1
- ③ Microphone hanger 1
- ④ Mounting bracket knobs 2
- ⑤ Mounting screws (5 × 20) 2
- ⑥ Mic hanger screws (3 × 16) 2
- ⑦ Flat washers (M5) 2
- ⑧ Spring washers (M5) 2



■ Warning sticker attachment

A WARNING STICKER is supplied with the transceiver. To comply with FCC regulations, this sticker must be affixed in such a location as to be readily seen from the operating controls of the radio. Make sure the chosen location is clean and dry before applying the sticker.

■ Antenna

A key element in the performance of any communication system is an antenna. Ask your dealer about antennas and the best places to mount them.

■ Fuse replacement

One fuse is installed in the supplied DC power cable. If a fuse blows or the transceiver stops functioning, track down the source of the problem, if possible, and replace the damaged fuse with a new, rated one.

■ Cleaning

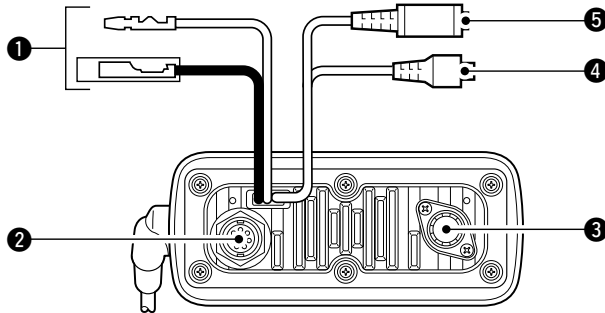
If the transceiver becomes dusty or dirty, wipe it clean with a soft, dry cloth.



AVOID the use of solvents such as benzene or alcohol, as they may damage transceiver surfaces.

9 CONNECTIONS AND MAINTENANCE

■ Connections



❶ DC POWER CONNECTOR

Connects the supplied DC power cable from this connector to an external 12 V DC power source.

❷ EXTERNAL MICROPHONE JACK

Connects to optional HM-127 REMOTE-CONTROL MICROPHONE.

❸ ANTENNA CONNECTOR

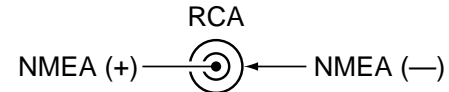
Connects a marine VHF antenna with a PL-259 connector to the transceiver.

CAUTION: Transmitting without an antenna may damage the transceiver.

❹ GPS RECEIVER JACK

Connects to an optional GPS receiver to input the position data and time data.

- A GPS receiver appropriate for the IC-M402 is not supplied from Icom. An NMEA0183 ver. 2.0 is required for position or time indication, etc. Ask your dealer about the GPS receiver.



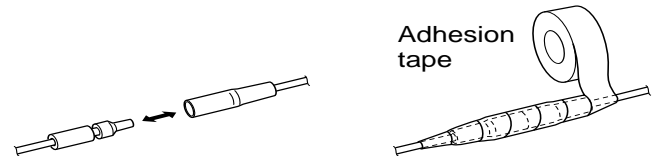
❺ EXTERNAL SPEAKER JACK

Connects to an external speaker. See 'Options' on p. 30 for available external speakers.

MICROPHONE HANGER

Rest the supplied microphone on the hanger when not in use.

CAUTION: After connecting the DC power cable, GPS receiver jack and external speaker jack, cover the connector and jacks with an adhesion tape as shown below, to prevent water seeping into the transceiver.



■ Mounting the transceiver

◆ Using the supplied mounting bracket

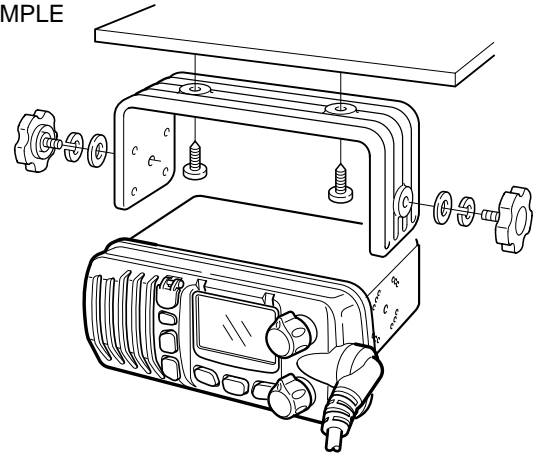
The universal mounting bracket supplied with your transceiver allows overhead or dashboard mounting.

- Mount the transceiver securely with the 2 supplied screws (M5 × 20) to a surface which is more than 10 mm thick and can support more than 5 kg.
- Mount the transceiver so that the face of the transceiver is at 90° to your line of sight when operating it.

/// **CAUTION: KEEP** the transceiver and microphone at least 1 meter away from your vessel's magnetic navigation compass.

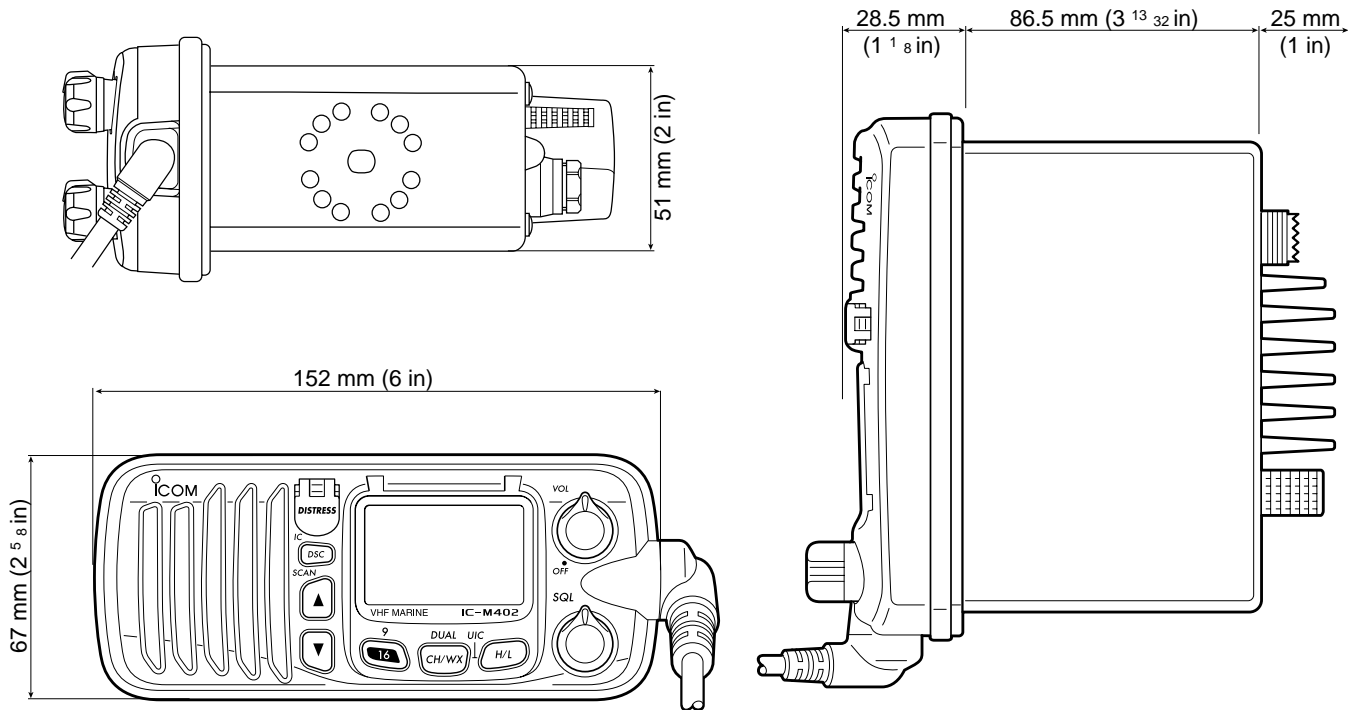
/// **NOTE:** Check the installation angle; the function display may not be easy-to-read at some angles.

EXAMPLE



9 CONNECTIONS AND MAINTENANCE

■ Dimensions



TROUBLESHOOTING 10

PROBLEM	POSSIBLE CAUSE	SOLUTION	REF.
No power comes ON.	<ul style="list-style-type: none">•Bad connection to the power supply.	<ul style="list-style-type: none">•Check the connection to the transceiver.	p. 22
No sound comes from the speaker.	<ul style="list-style-type: none">•Squelch level is too deep.•Volume level is too low.•Speaker has been exposed to water.	<ul style="list-style-type: none">•Set squelch to the threshold point.•Set [VOL] to a suitable level.•Drain water from the speaker.	p. 6 p. 6
Transmitting is impossible, or high power cannot be selected.	<ul style="list-style-type: none">•Some channels are for low power or receive only.•The output power is set to low.	<ul style="list-style-type: none">•Change channels.•Push [H/L] to select high power.	p. 5,27 p. 6
Scan does not start.	<ul style="list-style-type: none">•TAG channel is not programmed.	<ul style="list-style-type: none">•Set the desired channels as TAG channels.	p. 10
No beep sounds.	<ul style="list-style-type: none">•Beep tone is turned OFF.•The squelch is open.	<ul style="list-style-type: none">•Turn the beep tone ON in set mode.•Set squelch to the threshold point.	p. 21 p. 6
Distress call cannot be transmitted.	<ul style="list-style-type: none">•MMSI (DSC self ID) code is not programmed.	<ul style="list-style-type: none">•Program the MMSI (DSC self ID) code.	p. 11

11

CHANNEL LIST

Channel number			Frequency (MHz)	
USA	INT	CAN	Transmit	Receive
	01	01	156.050	160.650
01A			156.050	156.050
	02	02	156.100	160.700
	03	03	156.150	160.750
03A			156.150	156.150
	04		156.200	160.800
		04A	156.200	156.200
	05		156.250	160.850
05A		05A	156.250	156.250
06	06	06	156.300	156.300
	07		156.350	160.950
07A		07A	156.350	156.350
08	08	08	156.400	156.400
09	09	09	156.450	156.450
10	10	10	156.500	156.500
11	11	11	156.550	156.550
12	12	12	156.600	156.600
13 ²	13	13 ¹	156.650	156.650
14	14	14	156.700	156.700
15 ²	15 ¹	15 ¹	156.750	156.750
16	16	16	156.800	156.800
17 ¹	17	17 ¹	156.850	156.850
	18		156.900	161.500
18A		18A	156.900	156.900
	19		156.950	161.550

Channel number			Frequency (MHz)	
USA	INT	CAN	Transmit	Receive
	19A		156.950	156.950
	20	20	157.000	161.600
		20 ¹		
20A			157.000	157.000
	21	21	157.050	161.650
21A		21A	157.050	157.050
		21b	Rx only	161.650
	22		157.100	161.700
22A		22A	157.100	157.100
	23	23	157.150	161.750
23A			157.150	157.150
24	24	24	157.200	161.800
25	25	25	157.250	161.850
		25b	Rx only	161.850
26	26	26	157.300	161.900
27	27	27	157.350	161.950
28	28	28	157.400	162.000
		28b	Rx only	162.000
	60	60	156.025	160.625
	61		156.075	160.675
61A		61A	156.075	156.075
	62		156.125	160.725
		62A	156.125	156.125
	63		156.175	160.775
63A			156.175	156.175
	64	64	156.225	160.825

Channel number			Frequency (MHz)	
USA	INT	CAN	Transmit	Receive
64A		64A	156.225	160.825
	65		156.275	160.875
65A	65A	65A	156.275	156.275
	66		156.325	160.925
66A	66A	66A ¹	156.325	156.325
67 ²	67	67	156.375	156.375
68	68	68	156.425	156.425
69	69	69	156.475	156.475
70 ³	70 ³	70 ³	156.525	156.525
71	71	71	156.575	156.575
72	72	72	156.625	156.625
73	73	73	156.675	156.675
74	74	74	156.725	156.725
77 ¹	77	77 ¹	156.875	156.875
	78		156.925	161.525
78A		78A	156.925	156.925
	79		156.975	161.575
79A		79A	156.975	156.975
	80		157.025	161.625
80A		80A	157.025	157.025
	81		157.075	161.675
81A		81A	157.075	157.075
	82		157.125	161.725
82A		82A	157.125	157.125
	83	83	157.175	157.175

Channel number			Frequency (MHz)	
USA	INT	CAN	Transmit	Receive
83A		83A	157.175	157.175
		83b	Rx only	161.775
84	84	84	157.225	161.825
84A			157.225	157.225
85	85	85	157.275	161.875
85A			157.275	157.275
86	86	86	157.325	161.925
86A			157.325	157.325
87	87	87	157.375	161.975
87A			157.375	157.375
88	88	88	157.425	162.025
88A			157.425	157.425
WX channel	Frequency (MHz)			
	Transmit		Receive	
1	RX only		162.550	
2	RX only		162.400	
3	RX only		162.475	
4	RX only		162.425	
5	RX only		162.450	
6	RX only		162.500	
7	RX only		162.525	
8	RX only		161.650	
9	RX only		161.775	
10	RX only		163.275	

¹Low power only. ²Momentary high power. ³Receive only.

■ Specifications

◇ General

- Frequency coverage :
 - Transmit 156.025–157.425 MHz
 - Receive 156.050–163.275 MHz
- Mode : FM (16K0G3E)
DSC (16K0G2B)
- Channel spacing : 25 kHz
- Current drain (at 13.8 V) : TX high 6.0 A max.
Max. audio 1.2 A max.
- Power supply requirement: 13.8 V DC $\pm 15\%$
- Frequency stability : ± 10 ppm
(-20°C to $+60^{\circ}\text{C}$; -4°F to $+140^{\circ}\text{F}$)
- Dimensions : 152(W) \times 67(H) \times 144(D) mm
(Projection not included) 6(W) \times 2 $\frac{5}{8}$ (H) \times 5 $\frac{2}{3}$ (D) in
- Weight : 900 g; 2 lb

◇ Transmitter

- Output power : 25 W and 1 W
- Modulation system : Variable reactance phase modulation
- Max. frequency deviation : ± 5.0 kHz
- Spurious emissions : -70 dB

◇ Receiver

- Receive system : Double conversion superheterodyne
- Sensitivity (12 dB SINAD) : Less than $0.25 \mu\text{V}$ (typical)
- Squelch sensitivity : Less than $0.20 \mu\text{V}$ (typical)
- Intermodulation rejection ratio: More than 70 dB
- Spurious response : More than 70 dB rejection ratio
- Adjacent channel selectivity: More than 70 dB
- Audio output power : More than 4.5 W at 10% distortion with a 4Ω load

All stated specifications are subject to change without notice or obligation.

12 SPECIFICATIONS AND OPTIONS

■ Options

- **MB-69 FLUSH MOUNT**

For mounting the transceiver to a panel.

- **SP-5 EXTERNAL SPEAKER**

A large, external speaker for superior audio output.

- **SP-10 EXTERNAL SPEAKER**

A compact, external speaker. Features easy installation.

- **HM-127 REMOTE-CONTROL MICROPHONE** (p. 30)

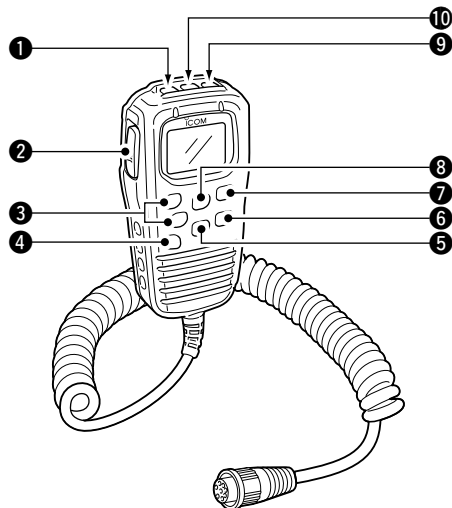
External microphone-type controller. Provides optional intercom operation. 6 m (20 feet) microphone cable and mounting base included. Black and white colours are available.

- **OPC-999 MICROPHONE EXTENSION CABLE**

6 m (20 feet) microphone extension cable for optional HM-127. Up to 2 OPC-999 can be connected. (18 m; 60 feet maximum)

■ Panel description

The optional HM-127 remotely controls the IC-M402 and provides an optional intercom function.



❶ POWER SWITCH [PWR] (p. 6, 44)

Push for 2 sec. to turn the HM-127 power ON or OFF when the IC-M402 power is turned ON.

❷ PTT SWITCH [PTT] (p. 8, 44)

Push and hold to transmit; release to receive.

❸ CHANNEL UP/DOWN SWITCHES [▲]/[▼]

- ➔ Push either switch to change the operating channel, set mode contents, etc. (p. 8, 44)
- ➔ While pushing [H/L], push [▲]/[▼] to adjust the brightness of the LCD and switch backlight. (p. 45)
- ➔ Push either switch to adjust audio level or noise squelch level after [VOL] or [SQL] is pushed, respectively. (p. 8, 45)
- ➔ In set mode, changes setting of the selected item. (p. 9, 46)
- ➔ Checks tag channels or changes scanning direction during scan. (p. 8, 45)

❹ Channel 16/CALL CHANNEL SWITCH [16•9]

- ➔ Selects Channel 16 when pushed. (p. 6, 43)
- ➔ Selects call channel when pushed for 1 sec. (p. 6, 543)
 - “CALL” appears when call channel is selected.
- ➔ Push for 3 sec. to enter call channel programming condition when call channel is selected. (p. 9, 46)
- ➔ While pushing [H/L], enters memory name programming condition. (p. 9, 49)
- ➔ Enters set mode when pushed while turning power ON. (p. 26, 48)

13 HM-127 REMOTE-CONTROL MICROPHONE

5 CHANNEL/DUALWATCH/TRI-WATCH SWITCH

[CH/WX•DW•U//C]


- ➔ Selects and toggles the regular channels and weather channel when pushed momentarily. (p. 6, 7, 43)
- ➔ While pushing [H/L], selects one of 3 regular channels in sequence when pushed. (p. 6, 7, 43)
 - International, U.S.A. and Canadian channels are available for regular channels.
- ➔ Starts dualwatch or tri-watch when pushed for 1 sec. (p. 11, 47)
- ➔ Stops dualwatch or tri-watch when either is activated.

6 ATTENUATOR/INTERCOM/SCRAMBLER SWITCH

[LO/DX•IC•SCR]

- ➔ Activates the intercom function when pushed for 1 sec. (p. 25, 49)
- ➔ Calls the IC-M402 when pushed and held while in intercom mode. (p. 25, 49)
 - RF attenuator and voice scrambler are not available for IC-M402.

7 SQUELCH/MONITOR/LOCK SWITCH [SQL•MONI•L]

- ➔ [▲]/[▼] sets the squelch threshold level after pushing [SQL]. (p. 44)
- ➔ Push [SQL•MONI] for 1 sec. to turn the monitor function ON. (p. 45)
- ➔ While pushing [H/L], push [SQL•MONI•L] to toggle the microphone key lock function ON or OFF. (p. 45)
 - “” appears while key lock function is in use.
 - [PWR], [PTT], [VOL], [SQL] and [H/L] still function when the


microphone key lock function is turned ON.

- ➔ Advance the cursor while in memory name programming condition. (p. 9, 49)

8 VOLUME/DIMMER SWITCH [VOL•DIM]

- ➔ [▲]/[▼] adjusts the audio level after pushing [VOL].
- ➔ Push [VOL•DIM] for 1 sec. to adjust the brightness of the LCD and switch backlight. (p. 45)
- ➔ Move the cursor backward while in memory name programming condition. (p. 9, 49)

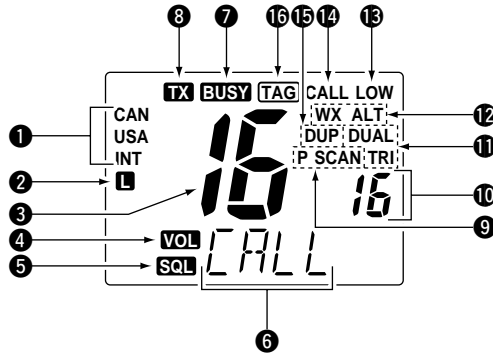
9 TRANSMIT POWER SWITCH [H/L]

- ➔ Toggles high and low power when pushed. (p. 8, 44)
 - Some channels are set to low power only.
- ➔ While pushing this switch, other switches perform secondary functions.
- ➔ Toggles the all key lock function ON or OFF when pushed while turning power ON. (p. 44)
 - “” flashes while the all key lock function is in use.
 - Only [PWR] and [PTT] function when the all key lock function is in use.

10 SCAN SWITCH [SCN•TAG] (p. 13, 46)

- ➔ Starts and stops normal or priority scan when tag channels are programmed.
- ➔ Push [SCN•TAG] for 1 sec. to set the displayed channel as a tag (scanned) channel.
- ➔ While pushing [H/L], push for 3 sec. to clear all tag channels.

■ Function display



- 1 CHANNEL GROUP INDICATOR** (p. 6, 37)
 Indicates whether an International (INT), U.S.A. (USA) or Canadian (CAN) channel is selected.
- 2 KEY LOCK INDICATOR** (p. 38)
 ➔ Appears while the key lock function is in use.
 ➔ Flashes while the all key lock function is in use.
- 3 CHANNEL NUMBER READOUT**
 ➔ Indicates the selected operating channel number. "A" appears when a simplex channel is selected. (p. 5, 36)
 ➔ In set mode, indicates the selected condition. (p. 20, 40)

- 4 VOLUME INDICATOR** (p. 37)
 Appears while audio output level is adjusted.
- 5 SQUELCH INDICATOR** (p. 37)
 Appears while noise squelch level is adjusted.
- 6 CHANNEL NAME INDICATOR**
 ➔ Channel comment appears (and scrolls) if programmed. (p. 7, 41)
 ➔ In set mode, indicates or scrolls the selected set mode item. (p. 20, 40)
- 7 BUSY INDICATOR** (p. 6, 37, 38)
 Appears when receiving a signal or when the squelch opens.
- 8 TRANSMIT INDICATOR** (p. 6, 37)
 Appears while transmitting.
- 9 SCAN INDICATOR** (p. 9, 39)
 ➔ "SCAN" appears during normal scan.
 ➔ "P SCAN" appears during priority scan.
- 10 PRIORITY CHANNEL INDICATOR**
 ➔ Indicates a priority channel during priority scan or dual/tri-watch. (p. 8, 40)
 ➔ "IC" appears during intercom mode. (p. 19, 41)
- 11 DUAL/TRI WATCH INDICATOR** (p. 8, 40)
 "DUAL" appears during dualwatch; "TRI" during tri-watch.

13 HM-127 REMOTE-CONTROL MICROPHONE

12 WEATHER CHANNEL INDICATOR (p. 5, 36)

- ↳ “WX” appears when a weather channel is selected.
- ↳ “ALT” appears when the weather alert function is in use; flashes when an alert tone is received.

13 LOW POWER INDICATOR (p. 6, 37)

Appears when low power is selected.

14 CALL CHANNEL INDICATOR (p. 5, 36)

Appears when the call channel is selected.

15 DUPLEX INDICATOR (p. 5, 41)

Appears when a duplex channel is selected.

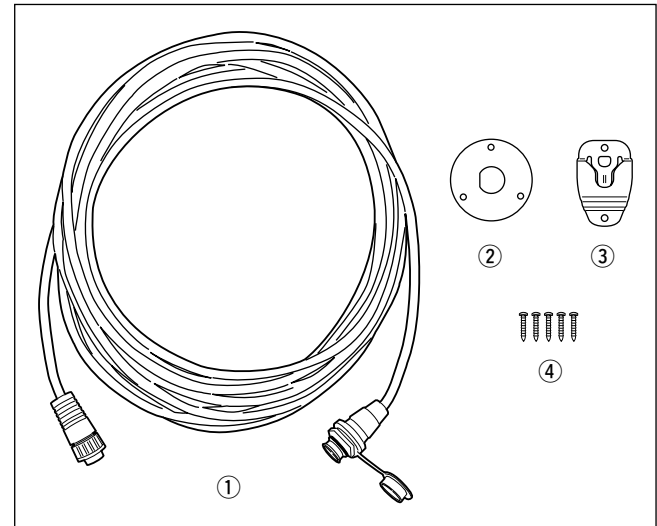
16 TAG CHANNEL INDICATOR (p. 10, 39)

Appears when a tag channel is selected.

■ HM-127 supplied accessories

Accessories included with the HM-127:

	Qty.
① Connection cable (OPC-1000: 6 m; 20 ft)	1
② Mounting base	1
③ Microphone hanger	1
④ Screws (M3 × 16; tapping)	5

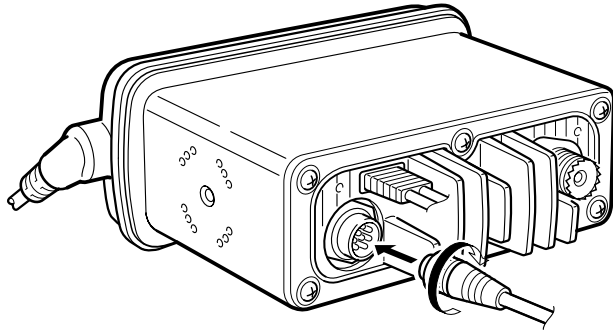


■ Installation

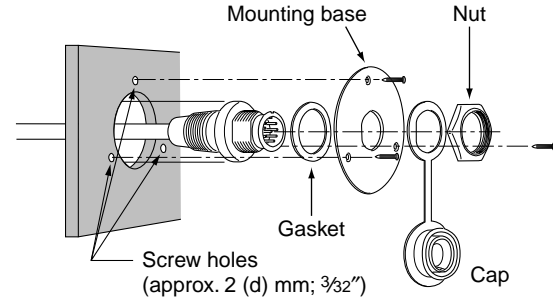
The optional HM-127 can be connected to the transceiver directly, as well as via the supplied connection cable for longer distance remote operation. The connector of the connection cable can be installed into a cabinet, wall, etc., as a built-in plug.

For longer distance remote operation, the optional extension cable, OPC-999 (6 m; 20 ft/Connecting between transceiver and the connection cable.), is available, and up to 2 OPC-999 can be added.

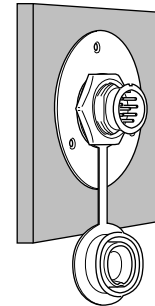
- ① Insert the supplied cable into the external microphone jack and tighten the cable nut as shown below.



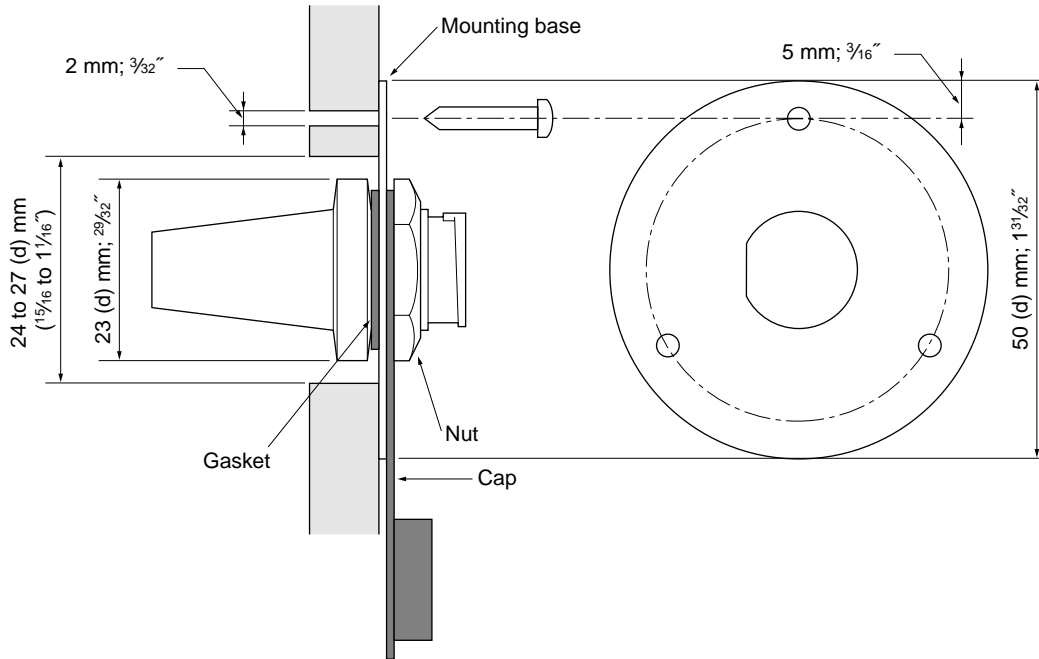
- ② To use the supplied cable as a wall socket, follow the following steps.
- ③ Using the mounting base, carefully mark off the 2 spots where the cable and screws will be fastened.
- ④ Drill holes at these marks.
- ⑤ Install the mounting base using screws as shown below.



- ⑥ The installation is finished when it is completed.



13 HM-127 REMOTE-CONTROL MICROPHONE



■ Channel selection

◆ Channel 16

- ① Push [16] to select Channel 16.
- ② Push [CH/WX] to return to the condition before selecting Channel 16, or push [▲] or [▼] to select operating channel.



Push 

◆ Call channel

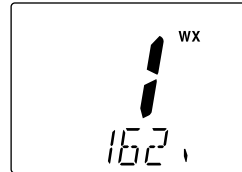
- ① Push [16•9] for 1 sec. to select call channel.
- ② Push [CH/WX] to return to the condition before selecting call channel, or push [▲] or [▼] to select operating channel.




Push  for 1 sec.

◆ Weather channels

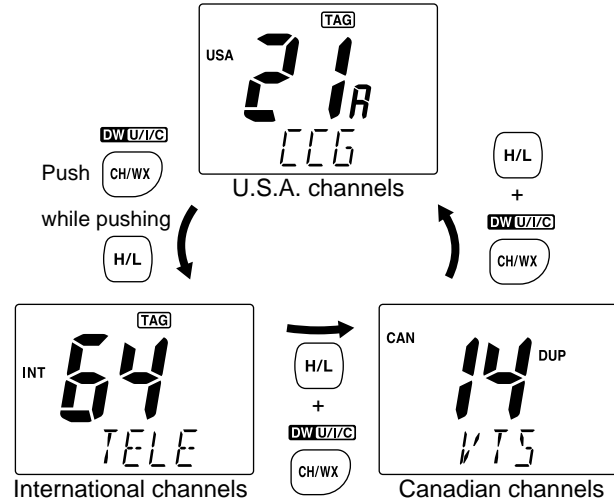
- ① Push [CH/WX] once or twice to select weather channel group.
- ② Push [▲] or [▼] to select weather channel.
- ③ Push [CH/WX] to return to the condition before selecting the weather channel group.



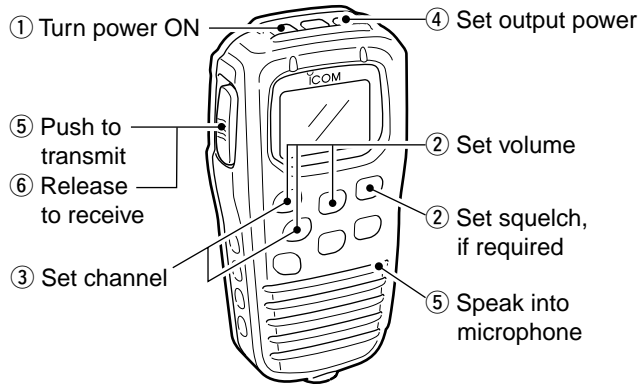
Push 

◆ U.S.A., International and Canadian channels

- ① Push [CH/WX] to select regular channel.
 - Push [CH/WX] again, if weather channel appears.
- ② Push [CH/WX•U/I/C], while pushing [H/L], to select channel group.
 - U.S.A., International and Canadian channels can be selected in



■ Receiving and transmitting



- ① Push [PWR] to turn power ON.
- ② Push [VOL], then [▲]/[▼] to adjust audio output level.
 - Push [SQL], then [▲]/[▼] to mute any audio noise, if necessary.
- ③ Push [▲]/[▼] to select the desired channel.
 - When receiving a signal, “**BUSY**” appears and audio is emitted from the speaker.
 - Further adjustment of audio level may be necessary at this point.
- ④ Push [H/L] to select the output power, if necessary.
 - “LOW” appears when low power is selected.
 - Choose low power for shorter, high power for longer distance communications.
 - Some channels are low power only.

- ⑤ Push and hold [PTT] to transmit, then speak into the microphone.
 - “**TX**” appears.
 - Channel 70 cannot be used for transmission (for GMDSS use).

/// Simplex channels, 3, 21, 23, 61, 64, 81, 82 and 83 **CAN-**
/// **NOT** be lawfully used by the general public in U.S.A. wa-
/// ters.

- ⑥ Release [PTT] to receive.

/// **IMPORTANT:** To maximize the readability of your trans-
/// mitted signal (voice), pause a few sec. after pushing [PTT],
/// hold the microphone 10 to 15 cm (4 to 6 inches) from your
/// mouth and speak at a normal voice level.

- Tri-watch becomes dualwatch when receiving a signal on the call channel.

■ Lock functions

The lock function electronically locks keys and switches to prevent accidental changes and function access from the microphone.

- All keys, switches and controllers on the transceiver are functional.

◆ Activating the lock function

➔ Push [SQL] while pushing [H/L] to turn the lock function ON and OFF.

- “**L**” appears.
- Only [PWR], [PTT], [H/L], [SQL•MONI], [VOL]+[▲]/[▼] and [SQL]+[▲]/[▼] are functional.

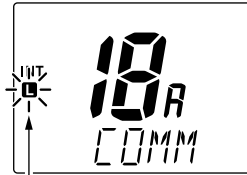


Appears when the lock function is in use.

◆ Activating the all key lock function

➔ Turn the power ON by pushing [PWR] while pushing [H/L] to turn the all key lock function ON and OFF.

- “**L**” flashes.
- Only [PWR] and [PTT] are functional.



Flashes when the all lock function is in use.

■ Display backlighting

The function display and switches can be backlit for better visibility under low light conditions. And the backlighting condition can be adjusted independently from the transceiver.

- ① Push [VOL•DIM] for 1 sec. to enter backlight adjusting mode.
 - “**DIM**” with number of backlight level appears in the channel name indicator.
- ② Push [▲]/[▼] to adjust the backlight level.
 - The backlight level is adjustable between 0 (lights OFF) and 7 (brightest).

For your reference:

Pushing [▲]/[▼], while [H/L] is pushed, also adjusts backlight level.

- No backlight level indication is available.

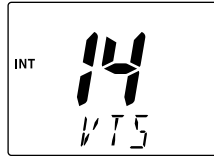
■ Monitor function

The monitor function releases the noise squelch mute of the microphone only. (An independent noise squelch system is employed.)

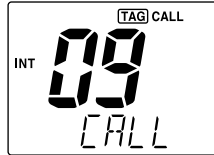
- ➔ Push [SQL•MONI] for 1 sec. to activate the monitor function.
 - “**BUSY**” flashes and audio is emitted.
 - Any key, except [▲]/[▼], cancels the monitor function.

■ Call channel programming.

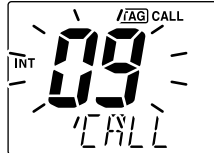
- ① Push [CH/WX•U/I/C] several times while pushing [H/L] to select the desired channel group (USA, INT, CAN) to be programmed.



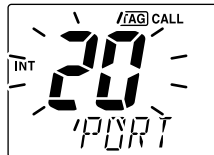
- ② Push [16•9] for 1 sec. to select the call channel of the selected channel group.
 - “CALL” and call channel number appear.



- ③ Push [16•9] again for 3 sec. (until long beep changes to 2 short beeps) to enter call channel programming condition.
 - Call channel number and channel group to be programmed flashes.



- ④ Push [▲]/[▼] to select the desired channel.



- ⑤ Push [16•9] to program the displayed channel as the call channel.
 - The call channel number and channel group stop flashing.



■ Starting a scan

- ① Push [CH/WX•U/I/C] several times while pushing [H/L] to select the channel group (USA, INT, CAN), if desired.
 - When the weather alert function is in use, select the desired weather channel with [CH/WX] and [▲]/[▼].
- ② Push [SCN] to start priority or normal scan.
 - “SCAN” appears during normal scan.
 - The priority channel readout indicates “16”, and “P” and “SCAN” indicators appear during priority scan.
 - When a signal is received, scan pauses until the signal disappears or resumes after pausing 5 sec. according to set mode setting (Channel 16 is still monitored during priority scan).
 - Push [▲]/[▼] to check the scanning tag channels, to change the scanning direction or resume the scan manually.
- ③ To stop the scan, push [SCN].
 - “SCAN” disappears.
 - Pushing [PTT], [16•9] or [CH/WX] also stops the scan.

■ Setting tag channels

- ① Push [CH/WX•U/I/C] several times while pushing [H/L] to select the channel group (USA, INT, CAN), if desired.
- ② Push [▲]/[▼] to select the desired channel to set as a tag channel.
- ③ Push [SCN•TAG] for 1 sec. to set the displayed channel as a tag channel.
 - “TAG” appears.

- ④ To cancel the tag channel setting, push [SCN•TAG] for 1 sec.
- “TAG” disappears.

- Clearing all tag channels in the selected channel group**
 ➔ Push [SCN•TAG] while pushing [H/L] for 3 sec. (until long beep changes to 2 short beeps).

■ Dualwatch/Tri-watch operation

- ① Push [▲]/[▼] to select the desired channel.
- Push [CH/WX•U//C] several times while pushing [H/L] to select the channel group (USA, INT, CAN), if desired.
- ② Push [CH/WX•DW] for 1 sec. to start dualwatch or tri-watch.
- “DUAL” appears during dualwatch; “TRI” appears during tri-watch.
 - Beep tone sounds when a signal is received on Channel 16.
 - Tri-watch becomes dualwatch when receiving a signal on the call channel.
- ③ To cancel dualwatch/tri-watch, push [CH/WX•DW] again.

■ Set mode programming

Set mode is used to change the condition of the transceiver's functions and the microphone's own functions:

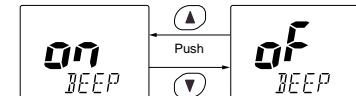
In this section, instructions are for the microphone's own functions only. Refer p. 30–33 for the setting of the other functions. (Some functions may not be selected from the microphone.)

◆ Entering set mode

- ① Turn power OFF.
- ② While pushing [16•9], turn power ON.
 - After beep emission, a set mode item (in the channel name indicator and condition in the channel number readout) is displayed.
- ③ Push [16•9] to select the desired item, if necessary.
- ④ Push [▲]/[▼] to select the desired condition of the item.
- ⑤ Turn power OFF, then ON to exit set mode.

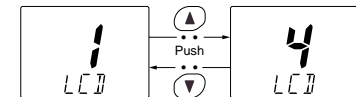
•Beep tone “BEEP”

➔ Push [▲] to turn ON, [▼] to turn OFF the beep output.



•LCD contrast “LCD CONTRAST”

➔ Push [▲]/[▼] to adjust to a suitable LCD contrast.



■ Intercom operation

- ① Push [LO/DX•IC] for 1 sec. to activate the intercom function.
 - “IC” appears in the priority channel readout.
 - The channel name disappears.
- ② Push [PTT] to talk.
 - “*TALK*” appears in the channel name indicator.
- ③ Release [PTT] to listen.
 - “*LISTN*” appears in the channel name indicator when the transceiver is in talking mode.
- ④ Push [LO/DX•IC] to cancel the intercom function.
 - Pushing [16], [SCN•TAG] or [CH/WX] is also cancels the intercom function.



Appears when the intercom function is in use.

For your reference:

In case the intercom mode is selected with the transceiver during microphone power OFF, the microphone power is automatically turned ON and the intercom mode is selected.

◆ Intercom beep function

- ➔ Push [LO/DX•IC] for more than 1 sec.
 - Emits intercom beep while holding.

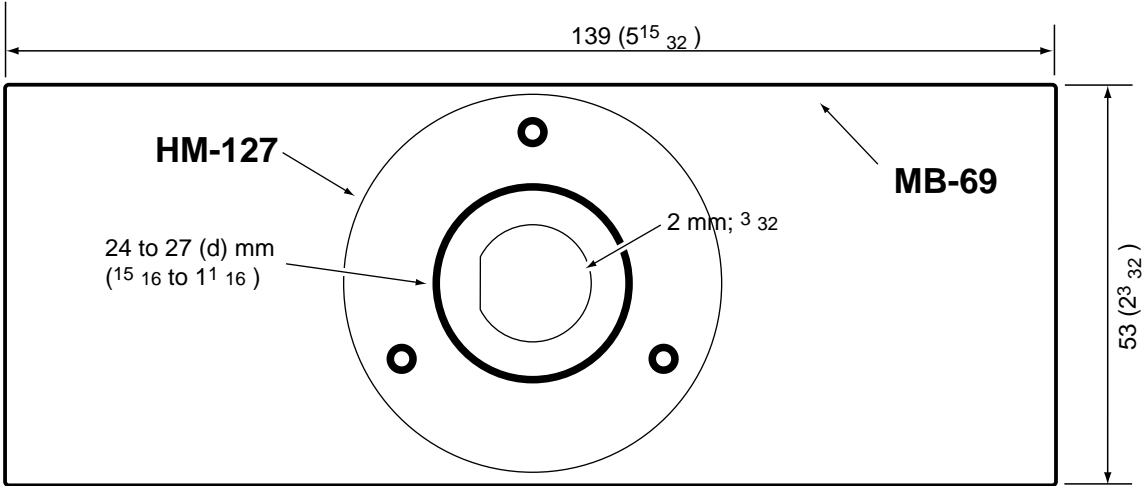
■ Channel names

- ① Push [▲]/[▼] to select a channel to program.
 - Push [CH/WX•U/I/C] several times while pushing [H/L] to select the channel group (USA, INT, CAN), if desired.
- ② While pushing [H/L], push [16•9].
 - The 1st character of the currently programmed comment flashes.
- ③ Push [▲]/[▼] to select a character.
- ④ Push [SQL] to move to right; then push [▲]/[▼] to select a character.
 - Push [VOL] to move to the left.
- ⑤ Continue until the desired characters have been selected, then push [16•9] to return to normal operation.

• Available characters

(space)	! (!)	" (")	# (#)	\$ (\$)	% (%)	& (&)	' (')	{ ({})	()
* (*)	+ (+)	, (,)	-- (-)	\ (\\)	/ (/)	0 (0)	1 (1)	2 (2)	3 (3)
4 (4)	5 (5)	6 (6)	7 (7)	8 (8)	9 (9)	A (A)	B (B)	C (C)	D (D)
E (E)	F (F)	G (G)	H (H)	I (I)	J (J)	K (K)	L (L)	M (M)	N (N)
O (O)	P (P)	Q (Q)	R (R)	S (S)	T (T)	U (U)	V (V)	W (W)	X (X)
Y (Y)	Z (Z)	a (a)	b (b)	c (c)	d (d)	e (e)	f (f)	g (g)	h (h)
i (i)	j (j)	k (k)	l (l)	m (m)	n (n)	o (o)	p (p)	q (q)	r (r)
s (s)	t (t)	u (u)	v (v)	w (w)	x (x)	y (y)	z (z)		

TEMPLATE



Unit: mm (inch)

Count on us!

A-6019H-1US
Printed in Japan
© 2000 Icom Inc.

Icom Inc.
1-1-32 Kamiminami, Hirano-ku, Osaka 547-0003 Japan