

**i**CON

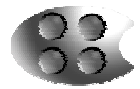


## **BEETLES** series

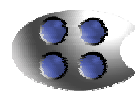
**UHF Guitar Wireless system**



**BASS** BASS WIRELESS SYSTEM







**ELECTRIC** ELECTRIC GUITAR WIRELESS SYSTEM



**ACOUSTIC** ACOUSTIC GUITAR WIRELESS SYSTEM





 <b>CAUTION</b> 	 
<p>RISK OF ELECTRIC SHOCK DO NOT OPEN RISQUE DE CHOC ELECTRIQUE NE PAS OUVRIR</p> <p>CAUTION: TO REDUCE THE RISK OF ELECTRIC SHOCK DO NOT REMOVE COVER (OR BACK) NO USER-SERVICEABLE PARTS INSIDE REFER SERVICING TO QUALIFIED PERSONNEL</p> <p>ATTENTION: POUR EVITER LES RISQUES DE CHOC ELECTRIQUE, NE PAS ENLEVER LE COUVERCLE, AUCUN ENTRETIEN DE PIECES INTERIEURES PAR L'USAGER. CONFIER L'ENTRETIEN AU PERSONNEL QUALIFIE. AVIS: POUR EVITER LES RISQUES D'INCENDIE OU D'ELECTROCUTION, N'EXPOSEZ PAS CET ARTICLE A LA PLUIE OU A L'HUMIDITE</p>	<p>The lightning flash with arrowhead symbol within an equilateral triangle is intended to alert the user to the presence of uninsulated dangerous voltage within the product's enclosure, that may be of sufficient magnitude to electric shock to persons. Le symbol clair avec point de flèche à l'intérieur d'un triangle équilatéral est utilisé pour alerter l'utilisateur de la présence à l'intérieur du coffret de voltage dangereux non isolé d'ampleur suffisante.</p> <p>Exclamation point within an equilateral triangle is intended to alert the user of the presence of important operating and maintenance (servicing) instructions in the literature accompanying the appliance. Le point d'exclamation à l'intérieur d'un triangle équilatéral est employé pour alerter les utilisateurs de la présence d'instructions importantes pour le fonctionnement et l'entretien (service) dans le livret d'instruction accompagnant l'appareil.</p>

## ***Important Safety Instructions***

1. Please read all instructions before operating the unit.
2. Keep these instructions for future reference.
3. Please read all safety warnings.
4. Follow manufacturer's instructions.
5. Do not use this unit near water or moisture.
6. Clean only with a dry cloth.
7. Install in accordance with the manufacturer's instructions.
8. Do not install or use near any heat sources such as radiators, heat registers, stoves, or other apparatus (including amplifiers) that produce heat.
9. Do not bypass or alter the polarized grounded plug. Serious damage may result and will void your warranty. A polarized plug has two blades with one wider than the other. A grounding type plug has two blades and a third grounding prong. The wide blade or third prong is provided for your safety. If the provided plug does not fit into your outlet, consult an electrician.
10. Protect the power cord from being walked on or pinched. Check the entire wire periodically as well as all plugs, receptacles and the point where the cord connects to the unit.
11. Unplug this unit during lightning storms or when unused for long periods of time.
12. Refer all servicing to qualified personnel. Servicing is required when the unit has been damaged in any way.



## ***Introduction***

### **Welcome Note**

**A personal welcome to you from the management and employees of ICON.**

All of us here at ICON are dedicated to provide excellent products with inherently good value, and we are delighted you have purchased one of our products.

We sincerely trust this product will provide years of satisfactory service, but if anything is not to your complete satisfaction, we will endeavor to make things right.

Welcome to ICON, and thank you for becoming part of our worldwide extended family!

### **Guide**

In these pages, you will find a detailed features description of the Beetles series Wireless system, as well as a guided tour through its control panel, step-by-step instructions for its setup, usage, and full specifications.

You will also find a warranty card enclosed. Please fill it out and mail it in so that you can receive online technical support and update with ICON products information in the future.

With proper care, your Beetles Wireless System will operate trouble free for many years. We recommend you record your serial number in the space provided below for future reference.

Please write your serial number here for future reference:

Purchased at:

Data of purchase:

# Content

- Package Contents* ..... 1
- Product Features* ..... 2
- Beetles Receiver* ..... 3
- Beetles Transmitter* ..... 5
- Quick Setting up and Using Your Beetles System*..... 6
- ICON Frequency Chart* ..... 9
- Specifications* ..... 10
- Services* ..... 11

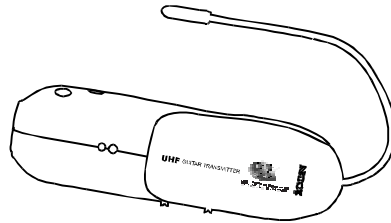


## ***Package Contents:***

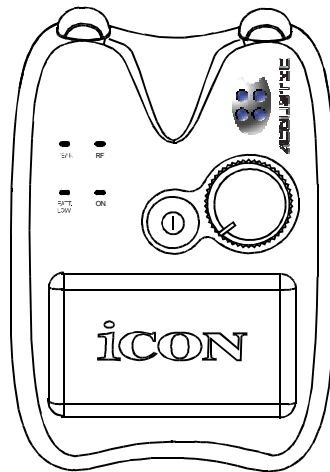
**Make sure the below items are provided in the package:**

- Beetles Wireless Receiver Unit
- Beetles Wireless Transmitter Unit
- Power Adapter for Receiver
- "Angle Adapter" for Transmitter Plug
- 9V Alkaline Battery
- 1.5V Alkaline Battery
- Instructions manual

## Product Features



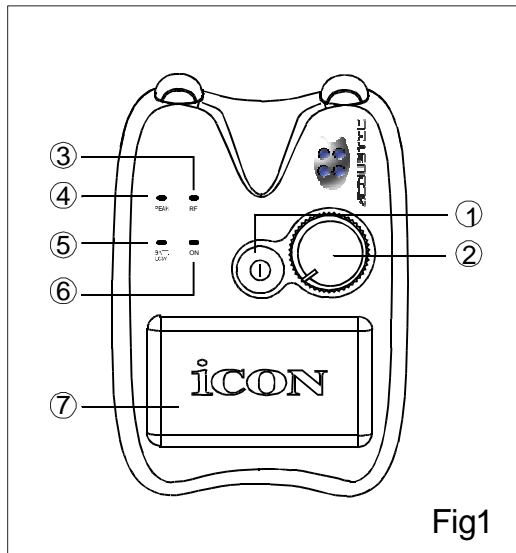
**Beetles Transmitter**



**Beetles Receiver**

- PLL synthesized technology
- True diversity technology permits minimum dropouts in the RF link
- Equipped with S.A.W. filter for interference-resistant
- Built-in noise mute and squelch permit interference-free
- Unique ICON EQ design circuit for differences instruments
  - BeetleElectric for Electric Guitar
  - BeetleBass for Bass
  - BeetleAcoustic for Acoustic Guitar
- Tuned antennas for the most stable RF reception
- Available in 10 differences Channels with wide interval to ensure free RF interference from each other when using in the same location.
- Unique Design and compact for portable

# Beetles Receiver



## 1. Power Switch:

Push to turn on the receiver power. (Note: Output Jack (9) must be inserted for the receiver to power up)

## 2. Volume Switch:

Adjust the output level of the Receiver to your Guitar Amp etc.

## 3. RF LED:

This LED lights when receiving signal from Transmitter.

## 4. PEAK LED:

This LED lights when output signal from Transmitter is at the onset clipping (i.e. Distortion occurred).

## 5. BATT. LOW LED:

This LED lights when receiver battery is running low.

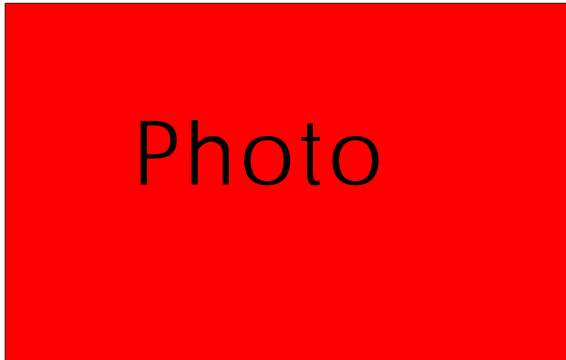
## 6. ON LED:

This LED lights when the receiver is switched on.

## 7. Battery Compartment Latch:

Push the latch in the direction as indicated arrow shown below and pull to open the latch.

Insert standard 9V alkaline battery into the compartment (package provided). Please insert the battery in the right direction as the + & - polarity markings shown, wrong Insert direction will cause severe damage to your Beetles receiver and will void your warranty. Also, you may power your receiver by the iCON power adapter provided.



# Beetles Receiver

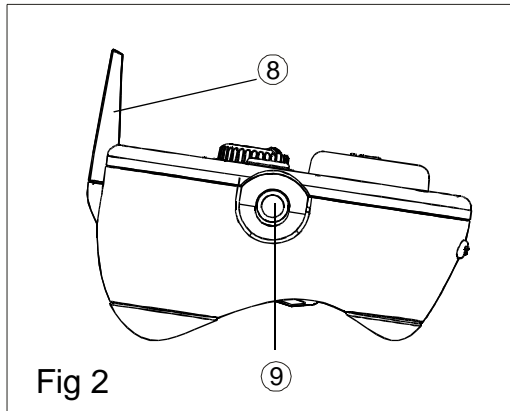


Fig 2

### 8. Antennas:

Pull to lift up the dual antennas. For optimum RF reception, pull both antennas to their up most vertical position.

### 9. Output Jack:

Use this standard unbalanced high impedance (5-10K Ohm)1/4" jack to connect the receiver to your amplifier or audio mixer. Wiring is as follows: tip hot, sleeve ground.

### 10. Squelch Control:

This control determines the maximum range of the receiver before audio signal dropout. Usually, you should leave this as the factory default setting. Also, you may adjust it by a small screwdriver.

### 11. DC Input:

Connect the provided ICON's DC power adapter here.

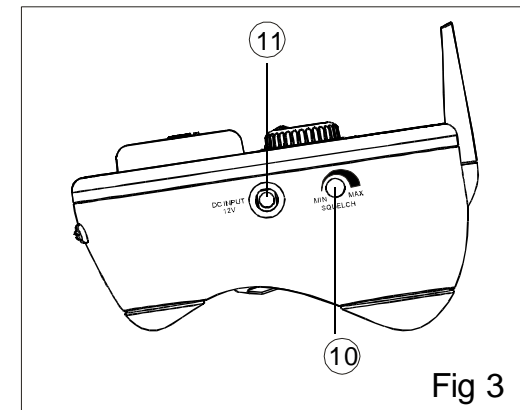


Fig 3



# Beetles Transmitter



## 1. Power Switch:

Switch the power of the Beetles Transmitter in the direction of the arrow shown.

## 2. 15 dB Pad:

Switch to reduce the output of the transmitter by 15dB when your instrument is outputting too hot a signal.

## 3. Transmitter Plug:

Insert this standard 1/4" plug into your Guitar output connector.  
Beetles Acoustic for Electric Acoustic Guitar  
Beetles Electric for Electric Guitar  
Beetles Bass for Electric Bass

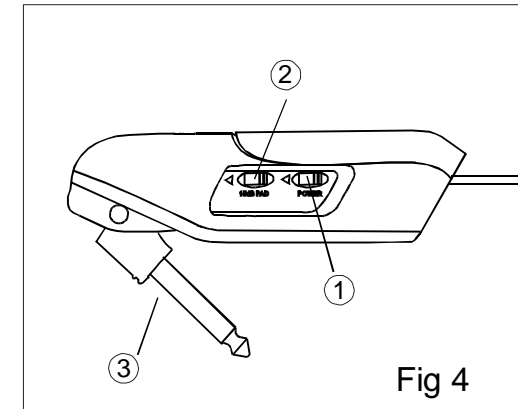


Fig 4

## You may adjust the angle of the plug for different type of guitar as followings:

**90 degree:** Designed for Gibson™ type or all other instruments that have end mount-jacks.  
(Note: Please insert ICON's "Angle Adapter" to secure the plug position)

**120 degree:** Designed for Fender Stratocaster™ type recessed jacks.

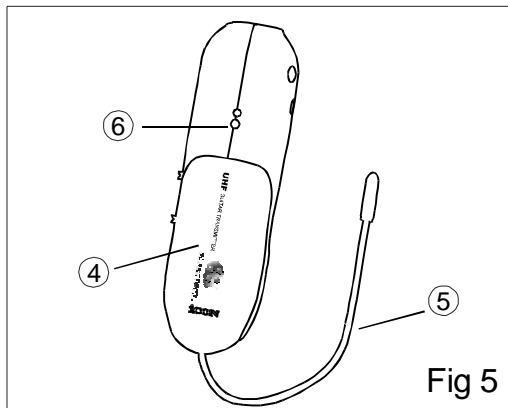


Fig 5

## 4. Battery Compartment:

Slide to open the latch. Insert a standard 1.5V alkaline battery ( package provided ) into the compartment. Please insert the battery in the right direction as the + & - polarity markings shown, wrong insert direction will cause severe damage to your Beetles Transmitter and will void your warranty.

## 5. Antenna:

Flexible antenna for optimum RF reception.

## 6. Power LED:

This LED will light once you turn your transmitter on. It will stay on when the battery is running low.