

INSTALLATION INSTRUCTIONS

Fan Coils

FEM4P, FSM4P, FSU4P

These instructions must be read and understood completely before attempting installation.

Safety Labeling and Signal Words

DANGER, WARNING, CAUTION, and NOTE

The signal words **DANGER**, **WARNING**, **CAUTION**, and **NOTE** are used to identify levels of hazard seriousness. The signal word **DANGER** is only used on product labels to signify an immediate hazard. The signal words **WARNING**, **CAUTION**, and **NOTE** will be used on product labels and throughout this manual and other manuals that may apply to the product.

DANGER – Immediate hazards which **will** result in severe personal injury or death.

WARNING – Hazards or unsafe practices which **could** result in severe personal injury or death.

CAUTION – Hazards or unsafe practices which **may** result in minor personal injury or product or property damage.

NOTE – Used to highlight suggestions which **will** result in enhanced installation, reliability, or operation.

Signal Words in Manuals

The signal word **WARNING** is used throughout this manual in the following manner:



The signal word **CAUTION** is used throughout this manual in the following manner:



Signal Words on Product Labeling

Signal words are used in combination with colors and/or pictures on product labels.

TABLE OF CONTENTS

Introduction	2
Location	2
Clearances and Dimensions	3-4
Heater Packages	5
Position Unit	5-9
Air Ducts	10
Electrical Connections	10-14
Refrigerant Tubing	15
Refrigerant Flow-Control Device	15
Condensate Drains	16
Accessories	17
Sequence of Operation	18
Start-up Procedure	18
Care and Maintenance	18
Airflow Performance	19-20
R-410A Quick Reference Guide	21

PERSONAL INJURY, AND/OR PROPERTY DAMAGE HAZARD

Failure to carefully read and follow this warning could result in equipment malfunction, property damage, personal injury and/or death.

Installation or repairs made by unqualified persons could result in equipment malfunction, property damage, personal injury and/or death.

The information contained in this manual is intended for use by a qualified service technician familiar with safety procedures and equipped with the proper tools and test instruments.

Installation must conform with local building codes and with the National Electrical Code NFPA70 current edition.

INTRODUCTION

Models FEM4P, FSM4P, and FSU4P are for R-410A refrigerant.

Models FEM4P and FSM4P are designed for maximum flexibility and can be used for upflow, horizontal left or right, and downflow applications (accessory kit required for downflow).

Model FSU4P is designed for upflow installation, and can be field modified for downflow applications (accessory kit required).

FEM4P models are available for system sizes 1-1/2 – 4 tons (18,000 – 48,000 BTUH) nominal cooling capacity. FEM4P uses a refrigerant piston metering device with an ECM integral electronically commutated motor for efficiency.

FSM4P and FSU4P models are available for system sizes 1-1/2 – 4 tons (18,000 – 48,000 BTUH) nominal cooling capacity. FSM4P and FSU4P use a refrigerant piston metering device with 2-speed PSC (permanent split capacitor) motors.

All models require a field supplied air filter. Factory approved electric heater packages are available in sizes 5kW through 30kW. See Product Specification literature for available accessory kits

LOCATION

Select the best position which suits the installation site conditions. The location should provide adequate structural support, space in the front of the unit for service access, clearance for return air and supply duct connections, space for refrigerant piping connections and condensate drain line connections. If heaters are being installed make sure adequate clearance is maintained from supply duct work. **See Clearances in Figure 1 and Figure 2.**

If the unit is located in an area of high humidity, nuisance sweating of casing may occur. On these installations a wrap of 2" (51mm) fiberglass insulation with a vapor barrier is recommended.

NOTE: Internal filter can be accessed from separate filter door. If the filter can **NOT** be easily accessed, a remote filter is recommended. Refer to ACCA Manual D for remote filter sizing.

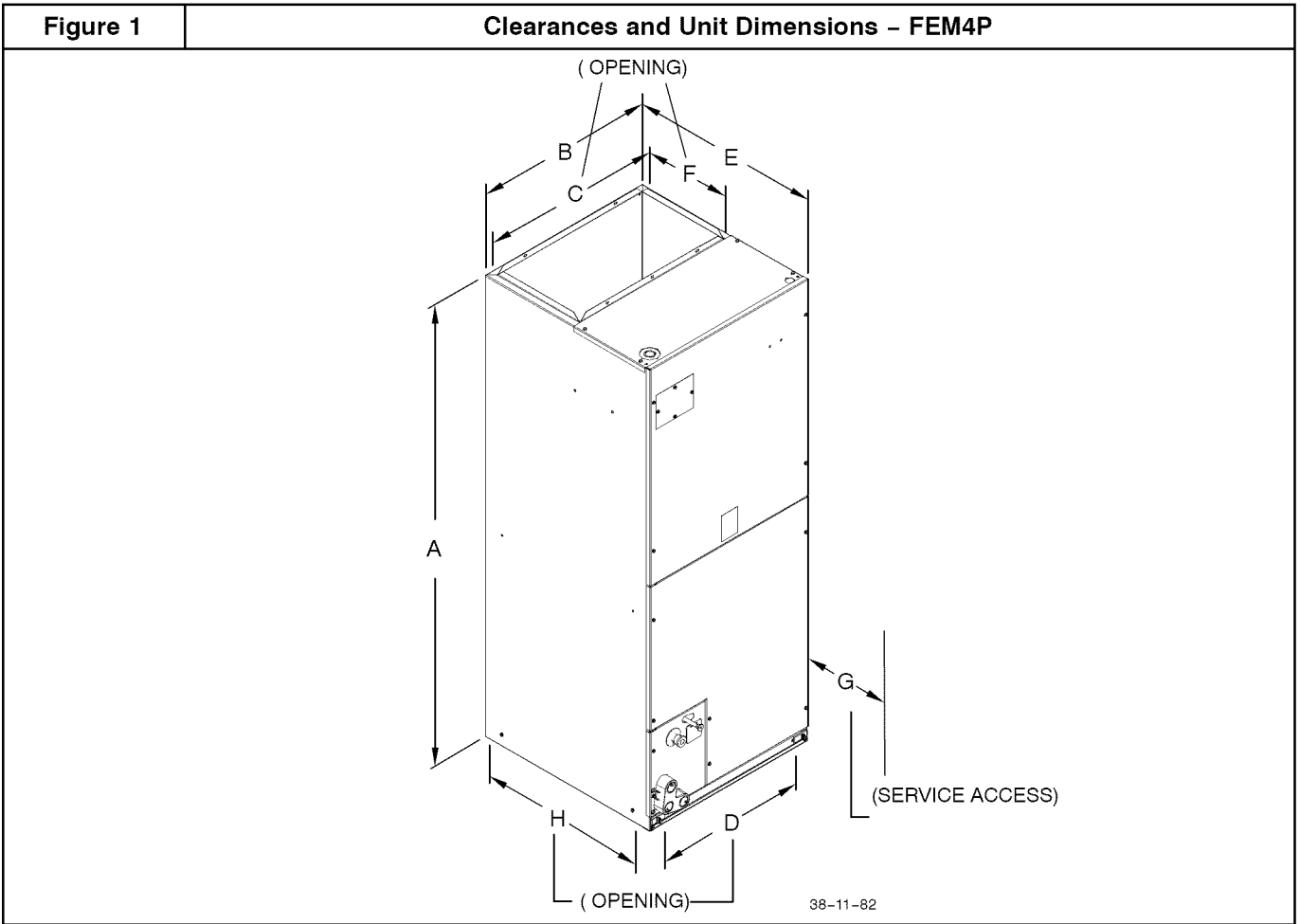


WARNING

FIRE HAZARD

Failure to maintain proper clearances could result in personal injury, death, and/or property damage.

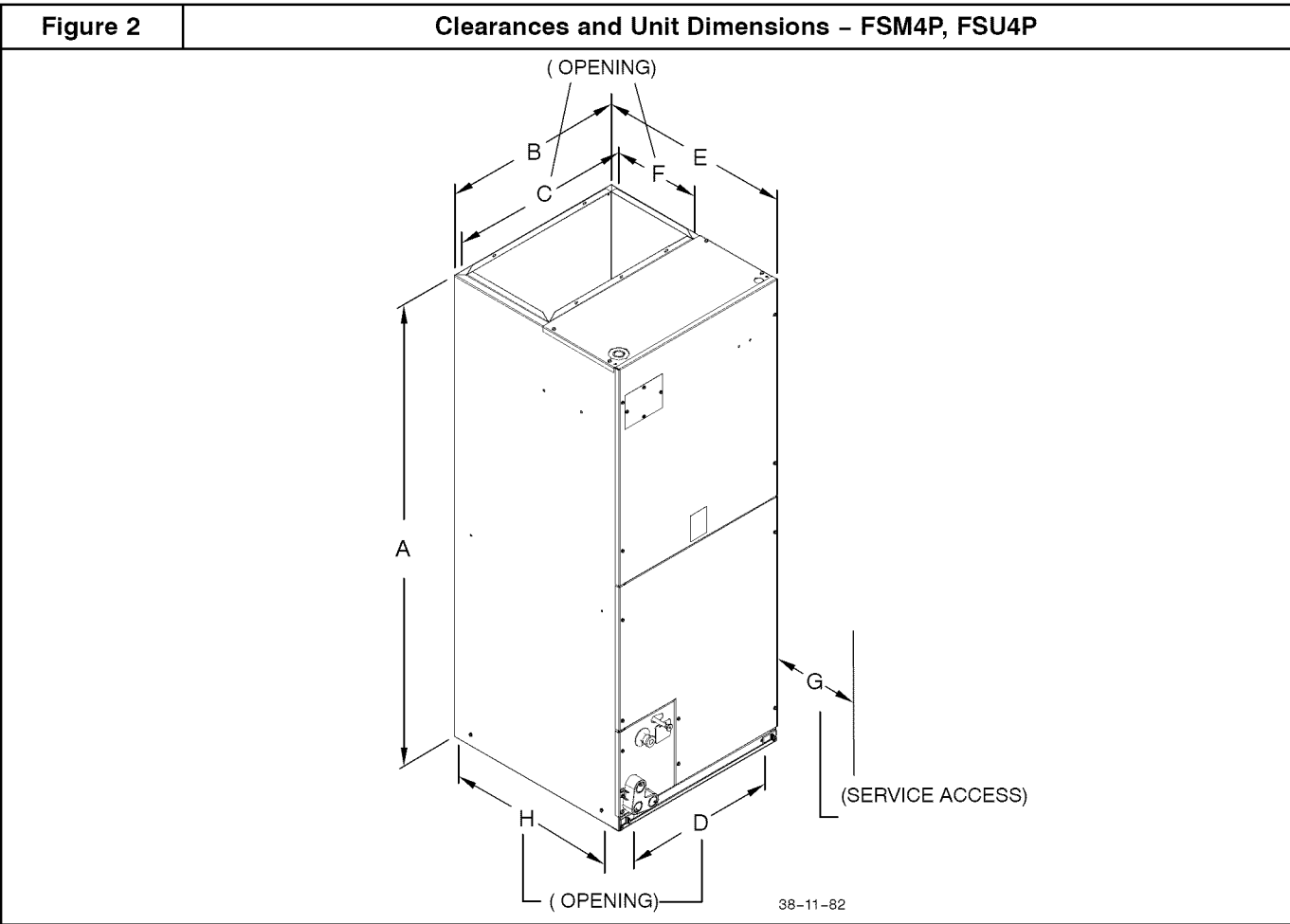
When heaters are installed, maintain clearances from combustible materials as specified on unit rating plate. Do not use plastic lined or combustible flexible ducting within 36 inches of the supply end of the fan coil.



REQUIRED CLEARANCES - ALL MODELS inches (mm)		
No Heaters	All Sides	0
	From Supply Duct	0
With Heaters	All Sides	0
	From First 3 feet of Supply Duct to Combustibles	1 (25)
	From Supply Duct to Combustibles after 3 feet	0

FEM4P inches (English)								
Unit Size	A	B	C	D	E	F	G	H
1800	42-11/16	14-5/16	12-7/16	12-5/8	22-1/16	11	21	19-13/16
2400	42-11/16	14-5/16	12-7/16	12-5/8	22-1/16	11	21	19-13/16
3000	49-5/8	17-5/8	15-3/4	15-5/8	22-1/16	11	21	19-13/16
3600	49-5/8	17-5/8	15-3/4	15-5/8	22-1/16	11	21	19-13/16
4200	49-5/8	21-1/8	19-1/4	19-1/8	22-1/16	11	21	19-13/16
4800	49-5/8	21-1/8	19-1/4	19-1/8	22-1/16	11	21	19-13/16

FEM4P (mm SI Metric)								
Unit Size	A	B	C	D	E	F	G	H
1800	1084	364	316	313	560	279	533	503
2400	1084	364	316	313	560	279	533	503
3000	1261	448	400	397	560	279	533	503
3600	1261	448	400	397	560	279	533	503
4200	1261	537	489	486	560	279	533	503
4800	1261	537	489	486	560	279	533	503



REQUIRED CLEARANCES – ALL MODELS inches (mm)								
No Heaters	All Sides		0					
	From Supply Duct		0					
With Heaters	All Sides		0					
	From First 3 feet of Supply Duct to Combustibles		1 (25)					
	From Supply Duct to Combustibles after 3 feet		0					
FSM4P, FSU4P inches (English)								
Unit Size	A	B	C	D	E	F	G	H
1800	47-5/8	17-5/8	15-3/4	15-5/8	22-1/16	11	21	19-13/16
2400	49-5/8	17-5/8	15-3/4	15-5/8	22-1/16	11	21	19-13/16
3000	53-7/16	21-1/8	19-1/4	19-1/8	22-1/16	11	21	19-13/16
3600	53-7/16	21-1/8	19-1/4	19-1/8	22-1/16	11	21	19-13/16
4200	49-5/8	21-1/8	19-1/4	19-1/8	22-1/16	11	21	19-13/16
4800	53-7/16	24-11/16	22-3/4	22-11/16	22-1/16	11	24	19-13/16
FSM4P, FSU4P mm (SI Metric)								
Unit Size	A	B	C	D	E	F	G	H
1800	1210	448	400	397	560	279	533	503
2400	1261	448	400	397	560	279	533	503
3000	1357	537	489	486	560	279	533	503
3600	1357	537	489	486	560	279	533	503
4200	1261	537	489	486	560	279	533	503
4800	1357	627	578	576	560	279	610	503

HEATER PACKAGES

Factory approved, field installed, UL listed heater packages are available from the equipment supplier. See unit rating plate for a list of factory approved heaters.

Heaters that are not factory approved could cause damage which would not be covered under the equipment warranty.

POSITION UNIT

Unit can stand or lie on floor, or hang from ceiling or wall. Allow space for wiring, piping, and servicing unit.

⚠ CAUTION

PROPERTY DAMAGE HAZARD

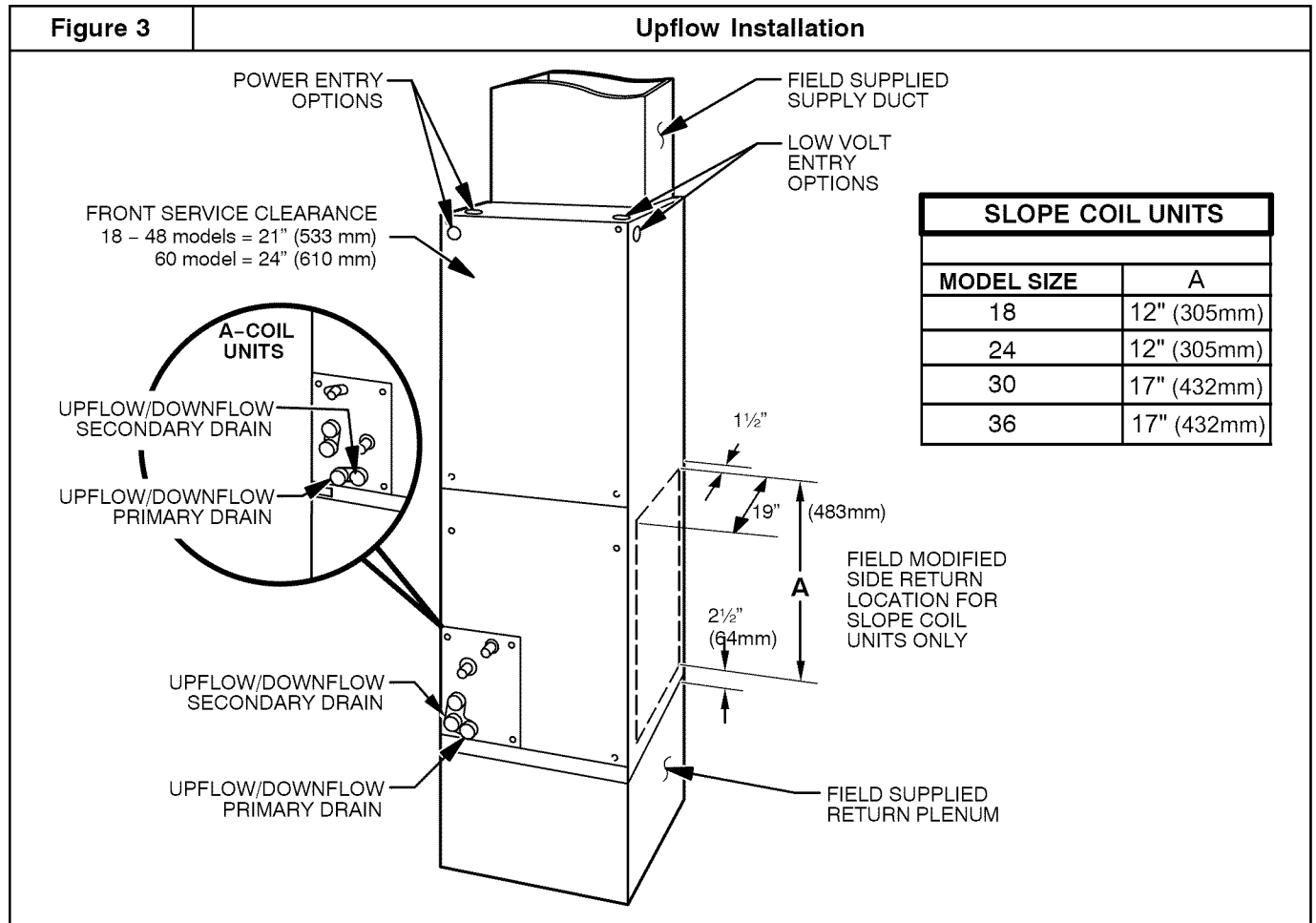
Failure to follow this caution may result in property damage

A field fabricated auxiliary drain pan, with a separate drain is REQUIRED for all installations over a finished living space or in any area that may be damaged by overflow from a restricted main drain pan. In some localities, local codes require an auxiliary drain pan for ANY horizontal installation.

A. UPFLOW INSTALLATION

If return air is to be ducted through a floor, set unit on floor over opening and use 1/8 to 1/4 inch thick (3 to 6 mm thick) fireproof resilient gasket between duct, unit, and floor.

Side return is a field option on slope coil models. Cut opening per dimensions shown in Figure 3. A field-supplied bottom closure is required.



B. DOWNFLOW INSTALLATION

⚠ CAUTION

PRODUCT OR PROPERTY DAMAGE HAZARD

Failure to follow this caution may result in product or property damage

The conversion of the fan coil to downflow requires special procedures for the condensate drains on both A-coil and Slope-coil units. The vertical drains have an overflow hole between the primary and secondary drain holes. This hole is plugged for all applications except downflow, and must be used for downflow.

Failure to follow instructions could result in personal injury or product and property damage.

In this application, field conversion of the evaporator coil is required using accessory Downflow Kit along with an accessory Base Kit. Set unit on floor over opening and use 1/8" to 1/4" thick fireproof resilient gasket between duct, unit, and floor. Refer to installation instructions packaged with accessory kit. See Product Specification literature for kit part numbers.

During the conversion process, removed the plastic cap covering the vertical drains only and discard.

Remove the plug from the overflow hole and discard.

At completion of the downflow installation, caulk around the vertical pan fitting to door joint to retain low air leak performance of the unit.

NOTE: Gasket kit number (EBAC01GSK) is also required for all downflow applications to maintain low air leak/low sweat performance.

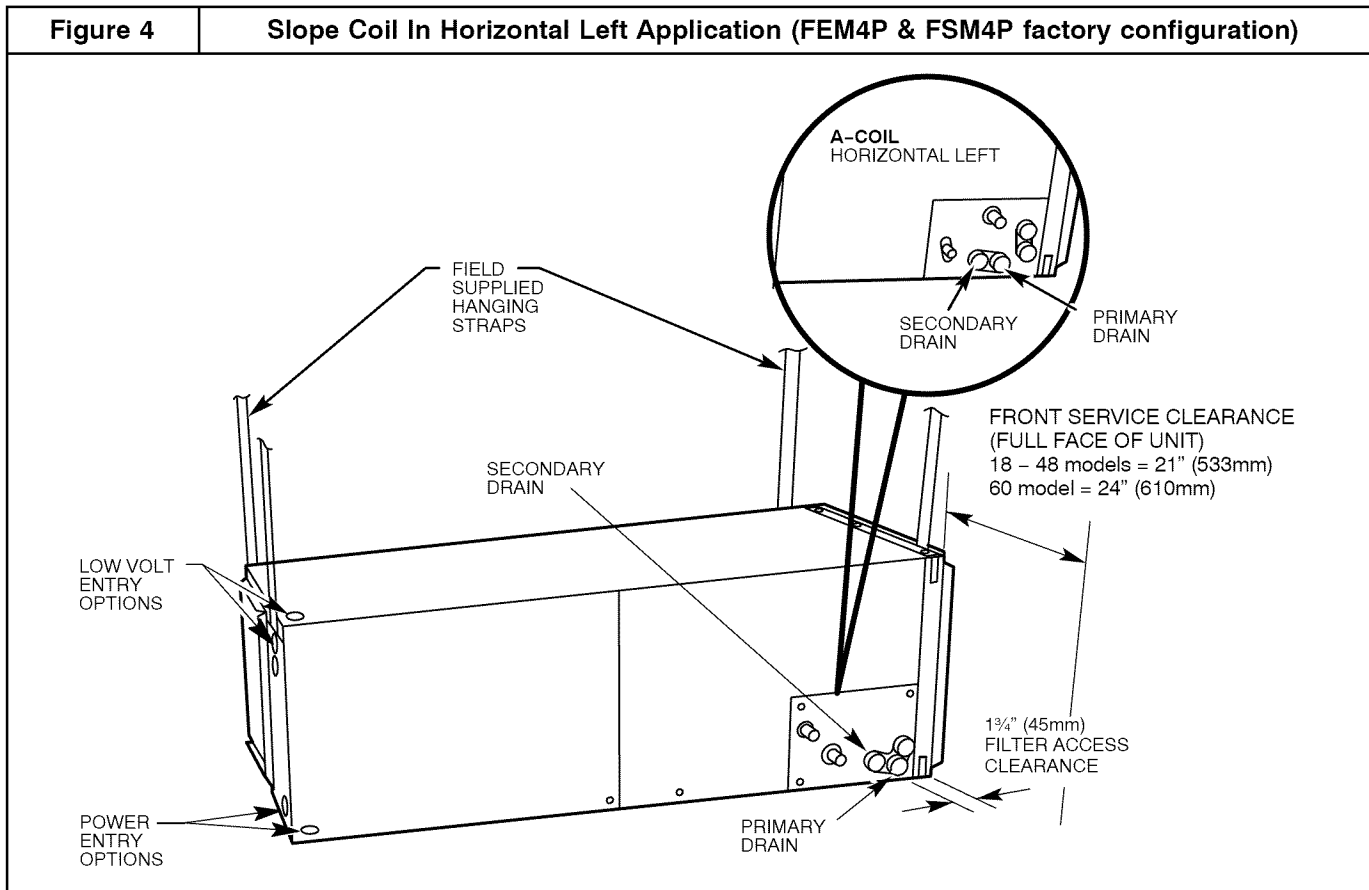
C. HORIZONTAL INSTALLATION

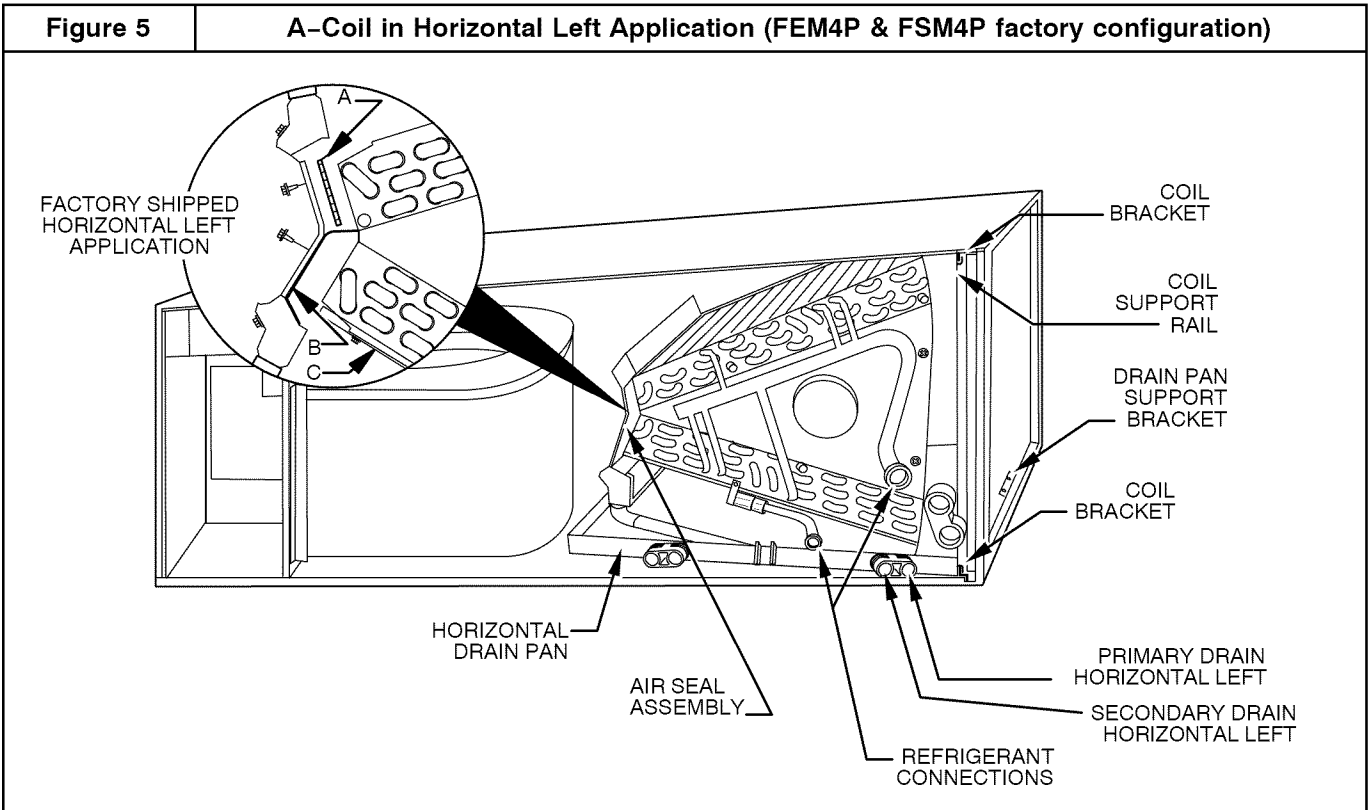
Unit must NOT be installed with access panels facing up or down. Access panels must only face to the side.

FEM4P and FSM4P models are factory built for horizontal left installation (refer to Figure 4 and Figure 5). They can be field converted to horizontal right (accessory Gasket Kit required, see Product Specification literature for part number). Refer to Figure 6 and Figure 7.

NOTE: When suspending unit from ceiling, dimples in casing indicate suitable location of screws for mounting metal support straps (refer to Figure 4).

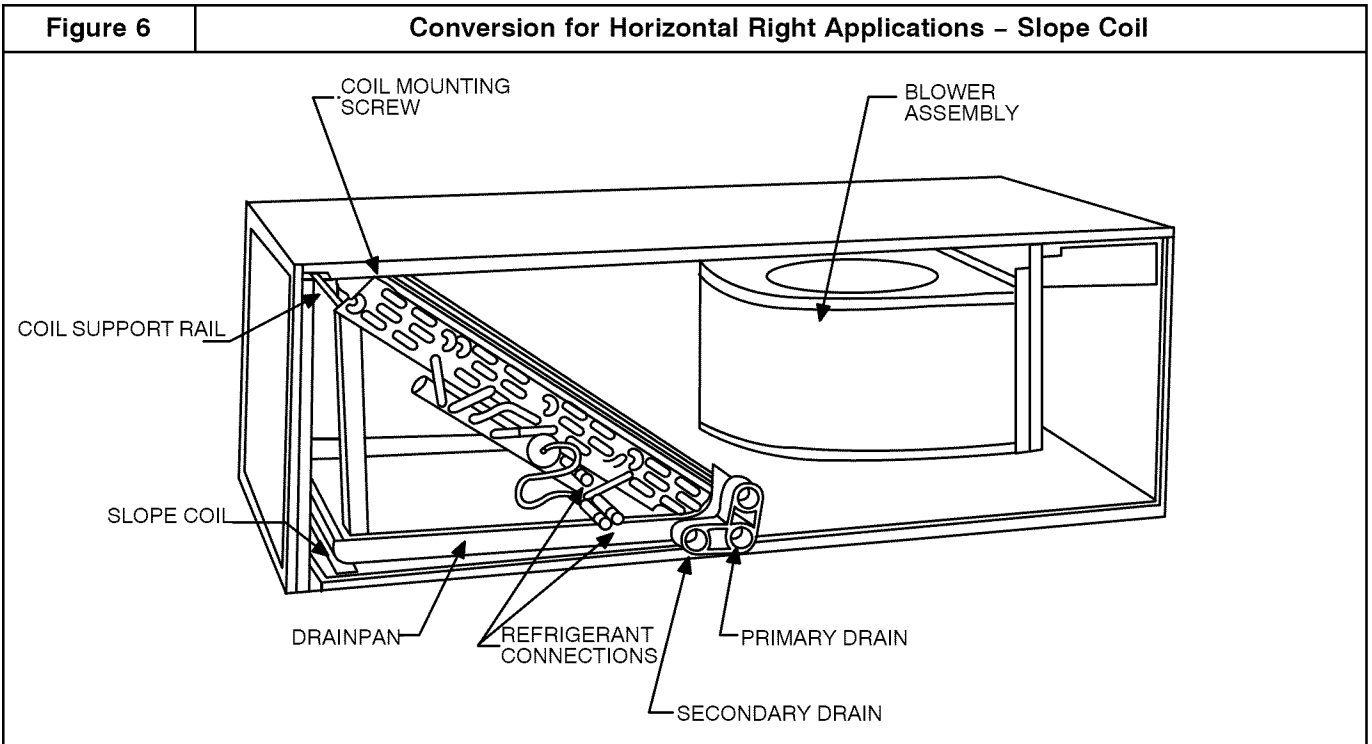
NOTE: For optimum condensate drainage performance in horizontal installations, unit should be leveled along its length and width.





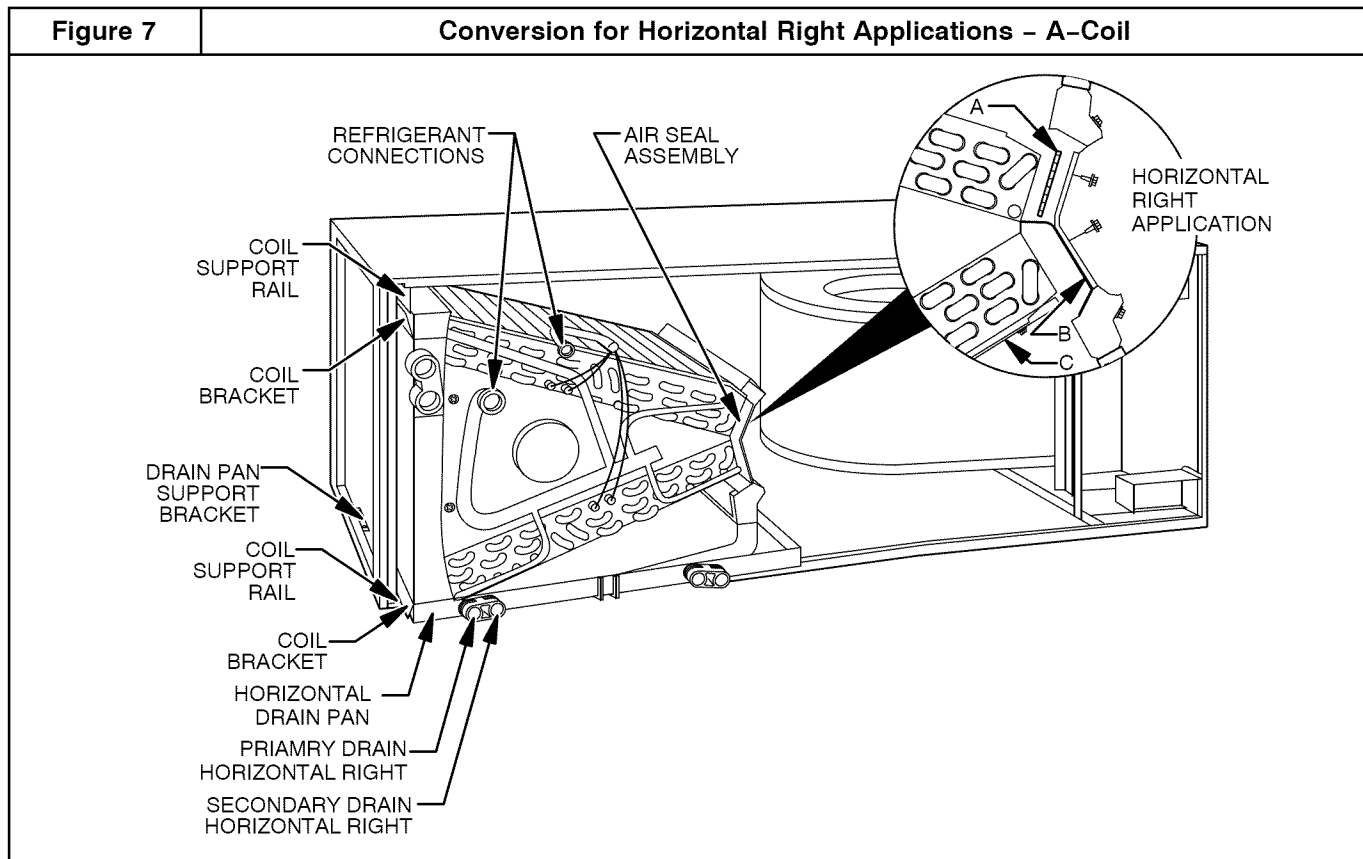
Horizontal Right Conversion of Units With Slope Coils

1. Remove blower and coil access panel and fitting panel (refer to Figure 6).
2. Remove coil mounting screw securing coil assembly to right side casing flange.
3. Remove coil assembly.
4. Lay fan coil unit on its right side and reinstall coil assembly with condensate pan down (refer to Figure 6).
5. Attach coil to casing flange using coil mounting screw previously removed.
6. Align holes with tubing connections and condensate pan connections, and reinstall access panels and fitting panel. After brazing, make sure liquid and suction tube grommets are in place to prevent air leaks and cabinet sweating.



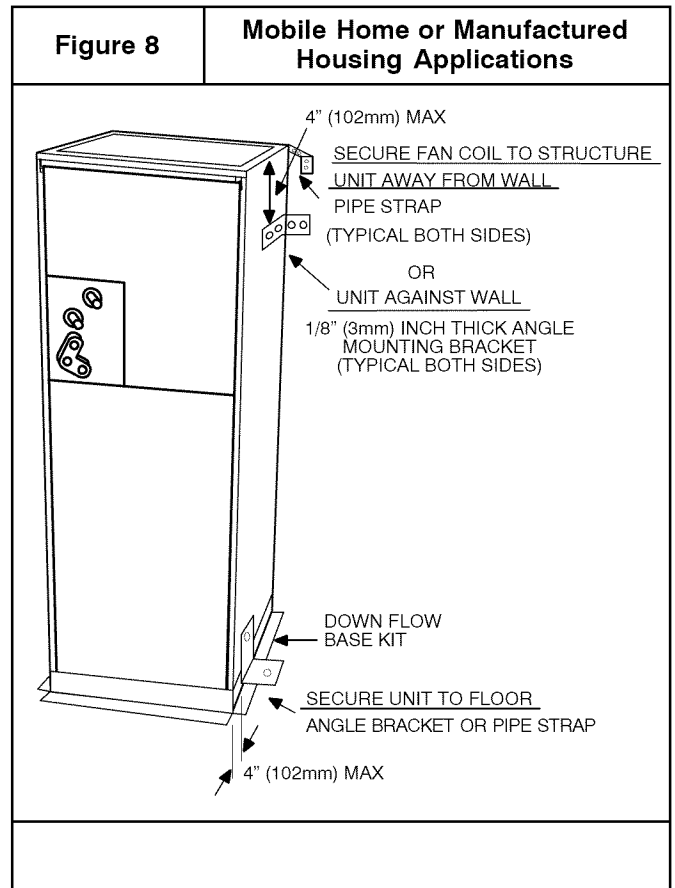
Horizontal Right Conversion of Units With A-Coils

1. Remove blower and coil access panel and fitting panel (refer to Figure 7).
2. Remove coil mounting screw securing coil assembly to right side casing flange.
3. Remove coil assembly.
4. Lay fan coil unit on its right side and reinstall coil assembly with condensate pan down (refer to Figure 7).
5. Remove horizontal drain pan support bracket from coil support rail on left side of unit and reinstall on coil support rail on right side of unit.
6. Convert air-seal assembly for horizontal right (refer to Figure 7).
 - a. Remove air-seal assembly from coil by removing 4 screws.
 - b. Remove coil drip flanges from A-coil and reinstall on right side of coil (same side as horizontal drain pan).
 - c. Remove filler plate (A) and install air splitter (B) in place of filler plate.
7. Install horizontal pan on right side of coil assembly.
8. Slide coil assembly into casing. Be sure coil bracket on each corner of vertical pan engages coil support rails.
9. Reinstall 2 snap-in clips to correctly position and secure coil assembly in unit. Be sure clip with large offsets is used on right side of unit to secure horizontal pan.
10. Remove 2 oval coil access panel plugs and reinstall into holes on left side of coil access panel and fitting panel.
11. Remove insulation knockouts on right side of coil access panel
12. Reinstall access fitting panels, aligning holes with tubing connections and condensate pan connections. Be sure to reinstall metal clip between fitting panel and vertical condensate pan.
13. After brazing, make sure liquid and suction tube grommets are in place to prevent air leaks and cabinet sweating.

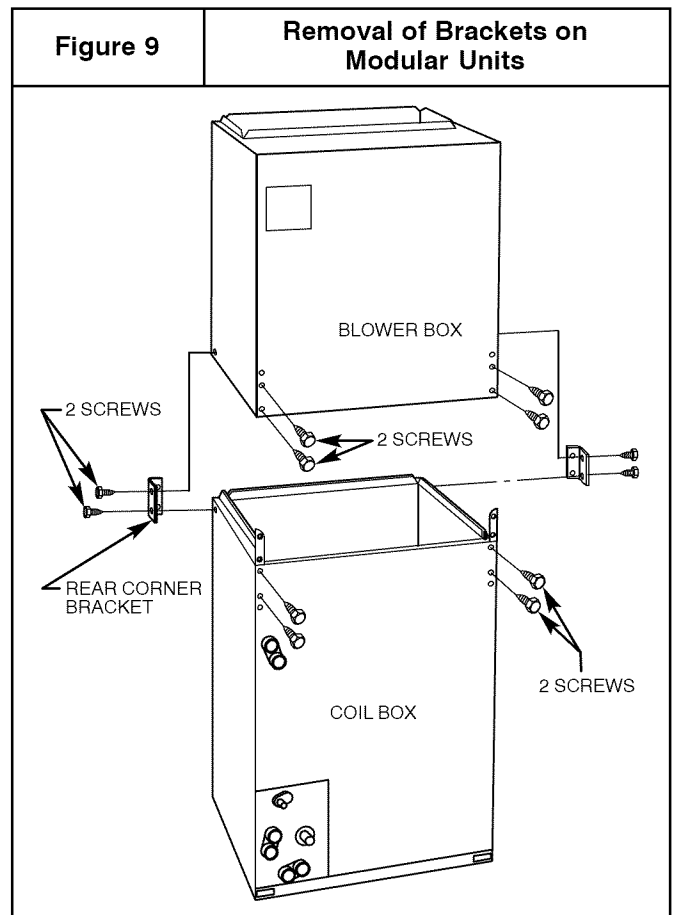


D. MANUFACTURED HOUSING AND MOBILE HOME APPLICATIONS

1. Fan coil unit must be secured to the structure using field-supplied hardware.
2. Allow a minimum of 24 inches (610mm) clearance from access panels.
3. Recommended method of securing for typical applications:
 - a. If fan coil is away from wall, attach pipe strap to top of fan coil using No. 10 self tapping screws. Angle strap down and away from back of fan coil, remove all slack, and fasten to wall stud of structure using 5/16" lag screws. Typical both sides of fan coil.
 - b. If fan coil is against wall, secure fan coil to wall stud using 1/8" (3mm) wide right-angle brackets. Attach brackets to fan coil using No. 10 self tapping screws and to wall stud using 5/16" lag screws (refer to Figure 8).



NOTE: Modular units can be disassembled and components moved separately to installation area for reassembly. This process accommodates small scuttle holes and limiting entrances to installation sites (refer to Figure 9).



AIR DUCTS

Connect supply-air duct over the outside of 3/4" flanges provided on supply-air opening. Secure duct to flange using proper fasteners for type of duct used, and seal duct-to-unit joint.

Use flexible connectors between duct work and unit to prevent transmission of vibration. When electric heater is installed, use heat-resistant material for flexible connector between duct work and unit at discharge connection. Duct work passing through unconditioned space must be insulated and covered with vapor barrier.

ELECTRICAL CONNECTIONS

FSM4P and FSU4P Fan Coil models utilize a printed circuit board (PCB) which has a low voltage circuit protective fuse (5 amp), fan motor speed tap terminal (SPT), and time-delay relay (TDR). To disable the TDR feature, snip the jumper wire JW1 (refer to Figure 10).

FEM4P Fan Coil models do not have a printed circuit board (PCB), they have a low voltage circuit protective fuse (3 amp) inline on the wire harness. Speed selections are made at the fan motor with the Blue wire. The motor is preprogrammed with the time-delay circuit on some of the speed taps. (See Section D)

Before proceeding with electrical connections, make certain that supply voltage, frequency, phase, and circuit ampacity are as specified on the unit rating plate. See unit wiring label for proper field high and low voltage wiring.

Duct work Acoustical Treatment

Metal duct systems that do not have a 90 degree elbow and 10 feet of main duct before first branch takeoff may require internal acoustical insulation lining. As an alternative, fibrous duct work may be used if constructed and installed in accordance with the latest edition of SMACNA construction standard on fibrous glass ducts. Both acoustical lining and fibrous duct work shall comply with National Fire Protection Association as tested by UL Standard 181 for Class 1 air ducts.

Make all electrical connections in accordance with the NEC and any local codes or ordinances that may apply. Use copper wire only. The unit must have a separate branch electric circuit with a field-supplied disconnect switch located within sight from and readily accessible from the unit.

NOTE: When a pull-out type disconnect is removed from the unit, only the Load side of the circuit is de-energized. The Line side remains live until the main (remote) disconnect is turned off.

⚠ WARNING

ELECTRICAL SHOCK or UNIT DAMAGE HAZARD

Failure to follow this warning could result in personal injury, death, and/or unit damage.

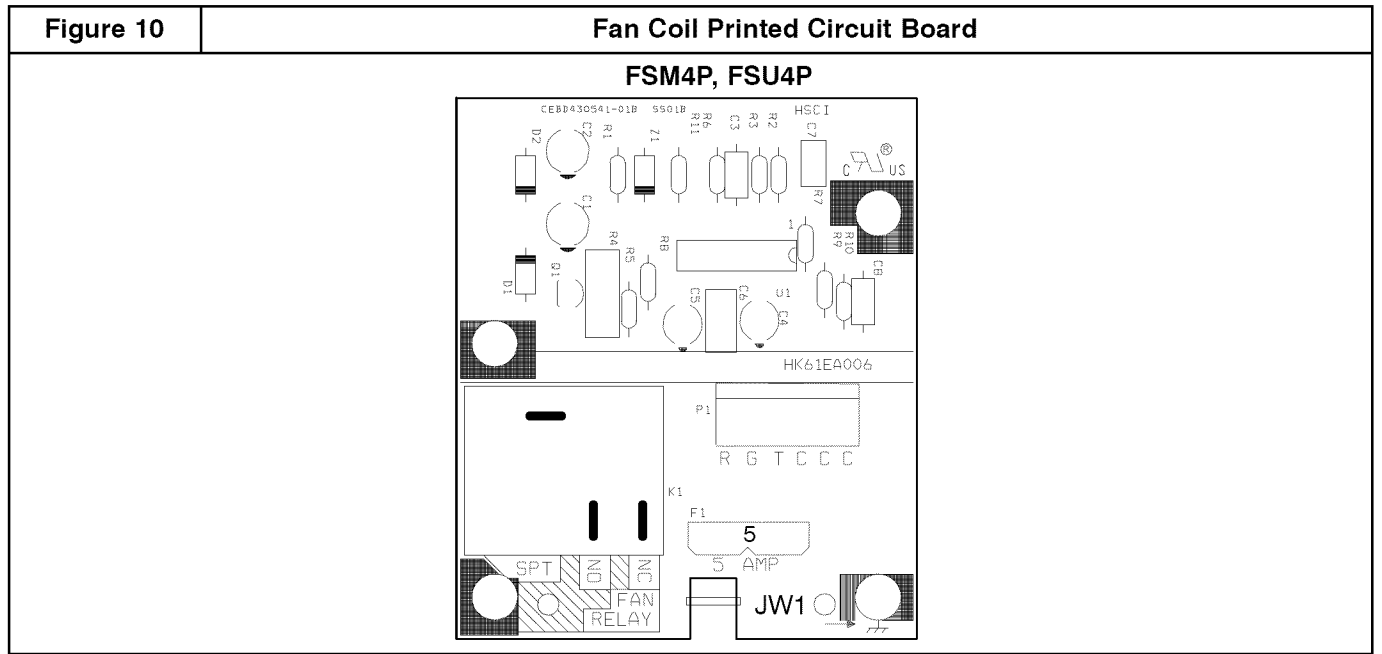
If a disconnect switch is to be mounted on unit, select a location where drill and fasteners will not contact electrical or refrigeration components.

⚠ WARNING

ELECTRICAL SHOCK HAZARD

Failure to follow this warning could result in personal injury or death.

Turn off the main (remote) disconnect device before working on incoming (field) wiring . Incoming (field) wires on the line side of the disconnect found in the fan coil unit remain live, even when the pull-out is removed. Service and maintenance to incoming (field) wiring cannot be performed until the main disconnect switch (remote to the unit) is turned off.



A. LINE VOLTAGE CONNECTIONS

Fan Coils installed without electric heat require the use of a factory-authorized Power Plug Kit (accessory part number EBAC01PLG). This kit provides the electrical connections necessary to supply the unit with 208/230V power when electric heat is not present. For units without electric heat:

1. Connect 208/230V power leads from field disconnect to yellow and black stripped leads on Power Plug (accessory part number EBAC01PLG).
2. Connect ground wire to unit ground lug.
3. When installing an electric heater, remove and discard power plug (if equipped) from fan coil and connect male plug from heater to female plug from unit wiring harness. (See Electric Heater Installation Instructions.)

B. 24V CONTROL SYSTEM

Connection to Unit

Wire low voltage in accordance with wiring label on the blower (also refer to Figure 11 through Figure 16). Use 18 AWG color-coded, insulated (35 °C minimum) wire to make the low-voltage connections between the thermostat, the unit, and the outdoor equipment. If the thermostat is located more than 100 feet from the unit (as measured along the low voltage wire), use 16 AWG color-coded, insulated (35 °C minimum) wire. All wiring must be NEC Class 1 and must be separated from incoming power leads. Refer to outdoor unit wiring instructions for additional wiring recommendations.

Heater Staging

The controls are factory circuited for single-stage operation (refer to Figure 12). When 2 stages are desired, cut W3 at the W2 wire nut, strip, and reconnect according to the thermostat kit instruction (refer to Figure 14 – outdoor thermostat optional). When 3 stages are desired, cut the W2 wire nut off and discard. Strip W2, W3, and E, and reconnect according to the thermostat kit instructions (refer to Figure 15 outdoor thermostats optional).



CAUTION

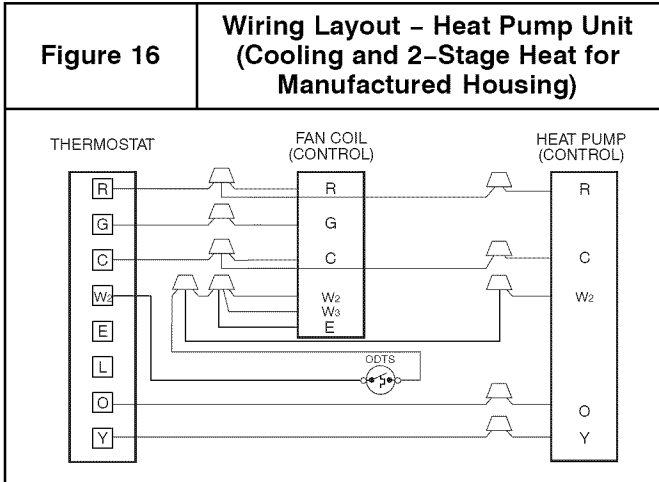
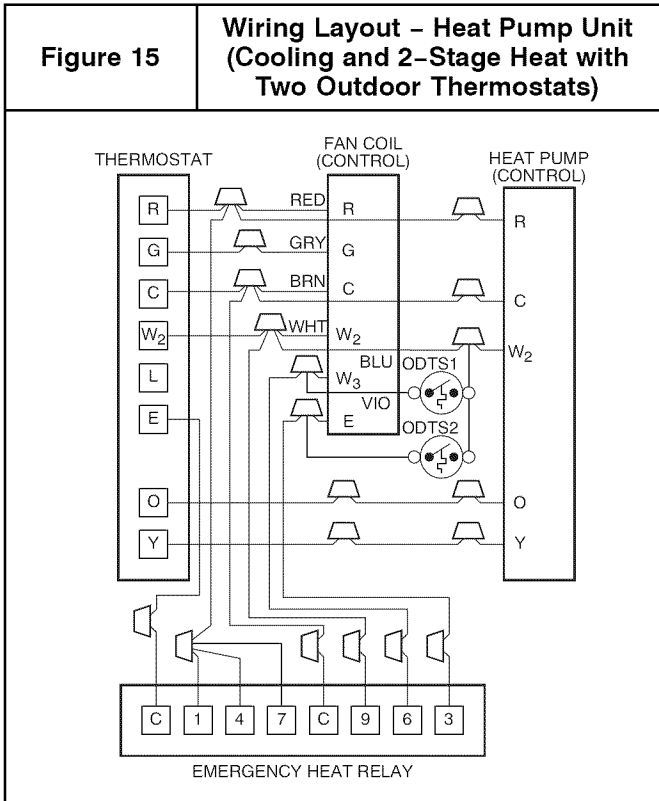
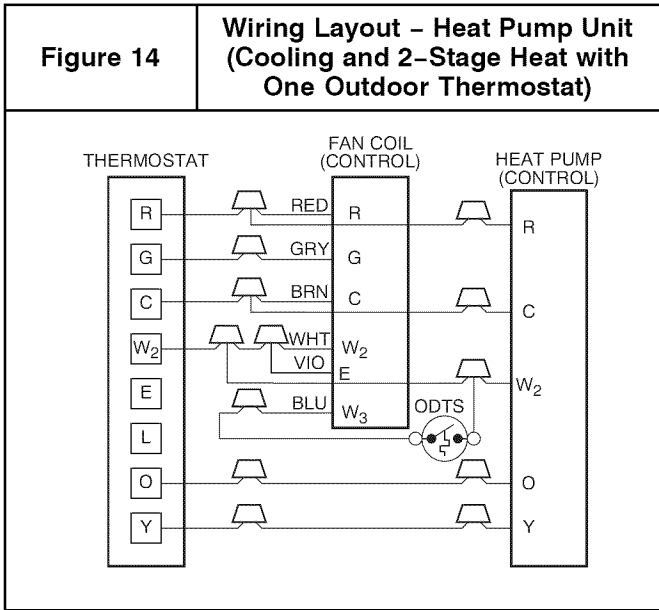
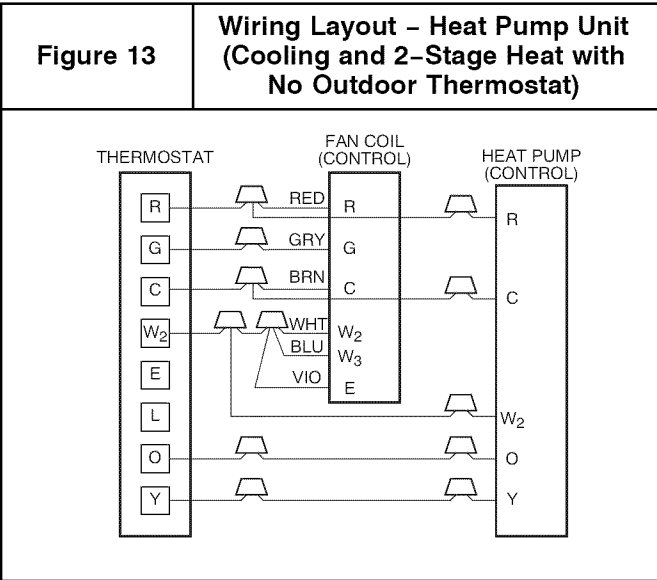
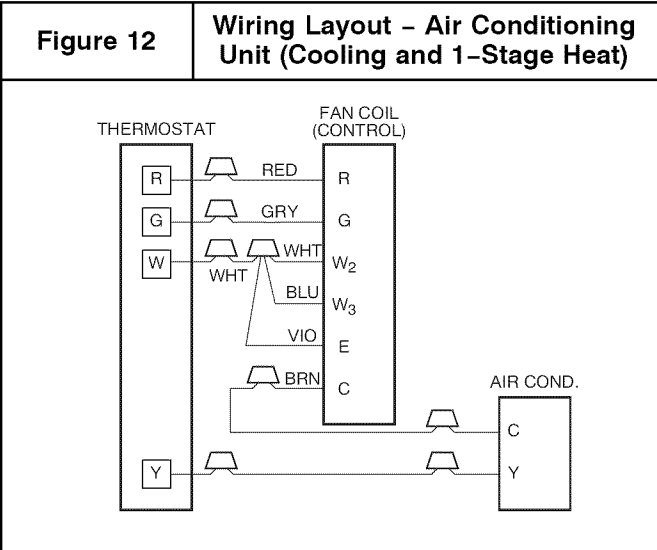
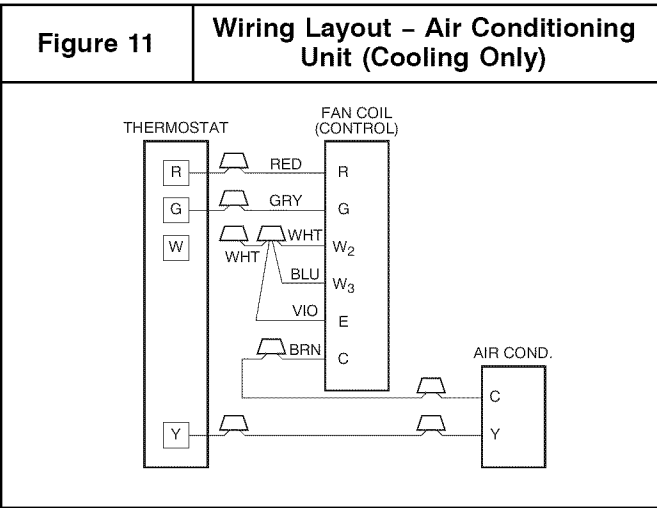
UNIT OPERATION HAZARD

Failure to follow this caution may result in improper product operation.

If W2, W3, and E on any 3 stage heater (18, 20, 24, or 30kW) are individually connected – as with outdoor thermostats or any other situation – emergency heat relay must be used. If relay is not used, blower may not operate when heaters are energized.

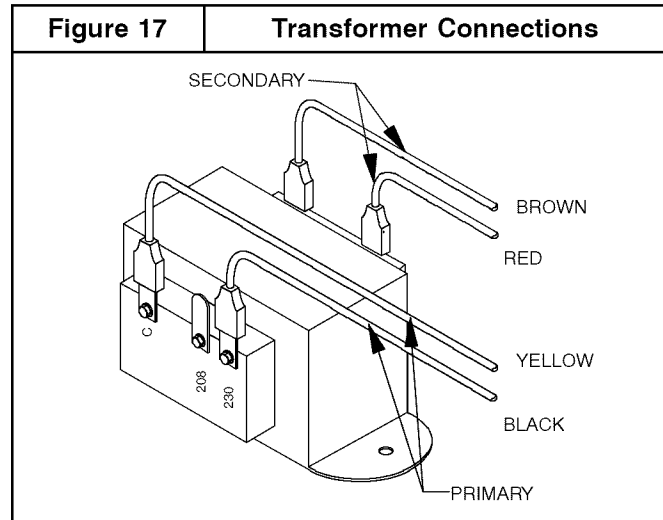
Manufactured Housing

In manufactured housing applications, the Code of Federal Regulations, Title 24, Chapter XX, Part 3280.714 requires that supplemental electric heat be locked out at outdoor temperatures above 40°F (4°C), except for a heat pump defrost cycle. Refer to Figure 16 for typical low voltage wiring with outdoor thermostat.



Transformer Information

Transformer is factory wired for 230V operation. For 208V applications, disconnect the black wire from the 230V terminal on transformer and connect it to the 208V terminal (refer to Figure 17).



C. GROUND CONNECTIONS

⚠ WARNING

ELECTRICAL SHOCK HAZARD

Failure to establish uninterrupted or unbroken ground could result in personal injury and/or death.

According to NEC, ANSI/NFPA 70, and local codes, the cabinet must have an uninterrupted or unbroken ground in order to minimize potential for personal injury or death if an electrical fault should occur. The ground may consist of electrical wire or metal conduit when installed in accordance with existing electrical codes. If conduit connection uses reducing washers, a separate ground wire must be used.

NOTE: Use UL listed conduit and conduit connectors for connecting supply wire(s) to unit to obtain proper grounding. Grounding may also be accomplished by using grounding lugs provided in control box.

D. MINIMUM CFM AND MOTOR SPEED SELECTION

Units with or without electric heaters require a minimum CFM. Refer to the unit wiring label to ensure that the fan speed selected is not lower than the minimum fan speed indicated.

FSM4P and FSU4P models: fan speed selection is done at the fan relay printed circuit board. To change motor speeds, disconnect fan lead used on relay terminal (SPT) and replace with motor speed lead desired (refer to Figure 19). Save insulating cap and place on motor lead removed from relay.

NOTE: In low static applications, lower motor speed tap should be used to reduce possibility of water being blown off coil.

Units have 2 motor speed taps. Low speed (red) and high speed (black). See Table 2 – FSM4P, FSU4P Airflow Performance (CFM) for each setting.

FEM4P models: fan speed is selected at the motor connector. Units with or without electric heaters require a minimum CFM. Refer to the unit wiring label to ensure that the fan speed selected is not lower than the minimum fan speed indicated.

SPEED TAP SELECTION AT MOTOR CONNECTOR		
Tap 1	Low	90 sec off delay
Tap 2	Medium	90 sec off delay
Tap 3	High	90 sec off delay
Tap 4	Electric Heat †	0 sec off delay
Tap 5	Max ‡	0 sec off delay

† Electric heat airflow is same CFM as Tap 3, but with 0 sec off delay.

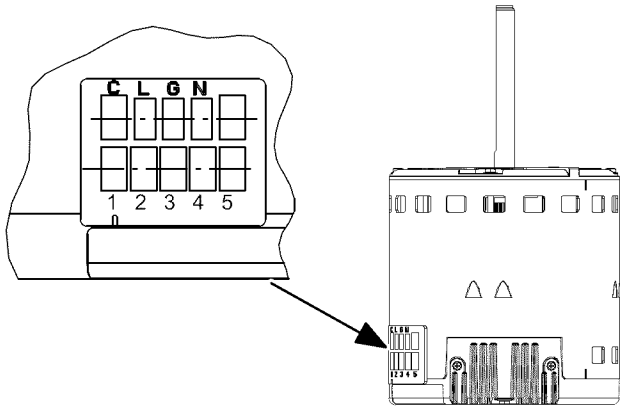
‡ For high static applications, see Airflow Performance Tables for max airflow.

To change motor speeds disconnect the BLUE fan lead from motor connector terminal #2 (factory default position) and move to desired speed-tap; 1, 2, 3, or 5.

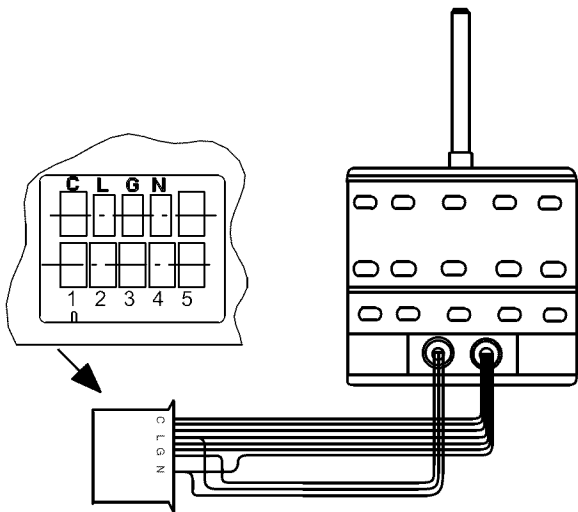
Speed-taps 1, 2, and 3 have a 90 second blower off time delay pre-programmed into the motor. Speed tap 4 is used for electric heat only (with 0 second blower time delay) and the WHITE wire should remain on tap 4. Speed-tap 5 is used for high static applications, but has a 0 second blower time delay pre-programmed into the motor (see Airflow Performance Tables for actual CFM for each tap). Also, see Figure 18 for motor speed selection location.

NOTE: In low static applications, lower motor speed tap should be used to reduce possibility of water being blown off coil.

Figure 18 FEM4P Motor Speed Selection

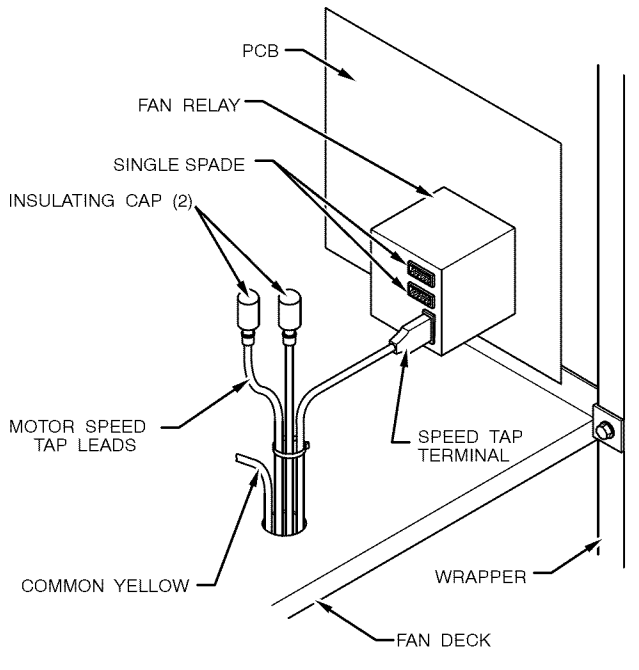


Speed Taps may be located on motor, or on plug close to motor.



L11S018

Figure 19 FSM4P & FSU4P Fan Coil Relay and Speed Tap Terminal



REFRIGERANT TUBING

Refrigerant Tubing Connection and Evacuation

Use accessory tubing package or field-supplied tubing of refrigerant grade. Suction tube must be insulated. Do not use damaged, dirty, or contaminated tubing because it may plug refrigerant flow-control device. ALWAYS evacuate the coil and field-supplied tubing to 500 microns before opening outdoor unit service valves.

⚠ CAUTION

PRODUCT DAMAGE HAZARD

Failure to follow this caution may result in product or property damage.

A brazing shield **MUST** be used when tubing sets are being brazed to the unit connections to prevent damage to the unit surface and condensate pan fitting caps.

Units have sweat suction and liquid tube connections. Make suction tube connection first.

1. Cut tubing to correct length.
2. Insert tube into sweat connection on unit until it bottoms.
3. Braze connection using silver bearing or non-silver bearing brazing materials. Do not use solder (materials which melt below 800°F / 427°C). Consult local code requirements.
4. Evacuate coil and tubing system to 500 microns using deep vacuum method.

⚠ CAUTION

PRODUCT DAMAGE HAZARD

Failure to follow this caution may result in product or property damage.

Wrap a wet cloth around rear of fitting to prevent damage to piston assembly or TXV and factory-made joints.

REFRIGERANT FLOW-CONTROL DEVICE

FEM4P, FSM4P, and FSU4P Models:

These units come equipped with a factory installed Piston metering device with Teflon ring. If a piston replacement is required, check piston size shown on indoor unit rating plate to see if it matches required piston shown on outdoor unit rating plate. If it does not match, replace indoor piston with piston shipped with outdoor unit. The piston shipped with outdoor unit is correct for any approved indoor coil combination (See Figure 20).

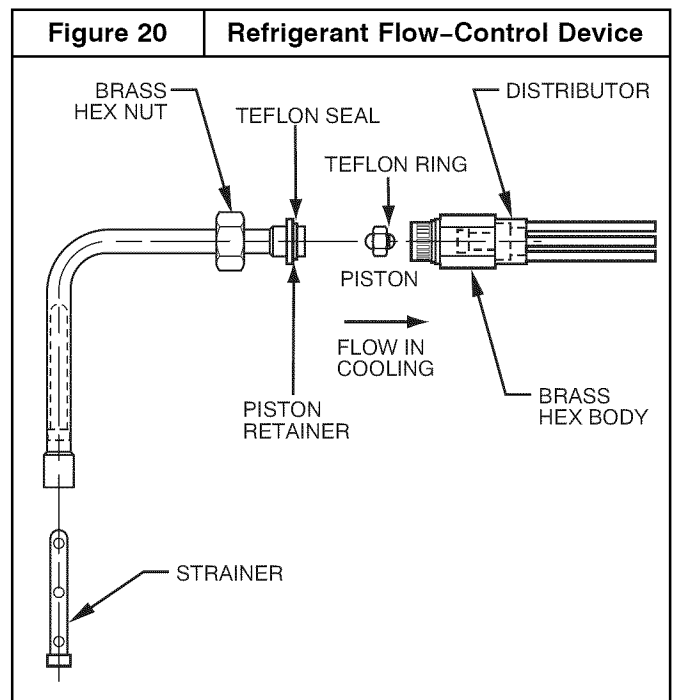
When changing piston, use a back-up wrench. Hand tighten hex nut, then tighten with wrench 1/2 turn. Do not exceed 30 ft-lbs. The indoor piston contains a Teflon ring (or seal) which is used to seat against the inside of distributor body, and must be installed properly to ensure proper seating in the direction for cooling operation.

⚠ CAUTION

PRODUCT OPERATION HAZARD

Failure to follow this caution may result in improper product operation.

If using a TXV in conjunction with a single-phase reciprocating compressor, a compressor start capacitor and relay are required. Consult outdoor unit pre-sale literature for start assist kit part number.



CONDENSATE DRAINS

Unit is provided with primary and secondary 3/4" (19mm) NPT drain connections. Refer to Figure 3, Figure 4, Figure 5, Figure 6, and Figure 7 to identify the primary and secondary locations. To prevent property damage and achieve optimum drainage performance, BOTH primary and secondary drain lines should be installed and include properly sized condensate traps (refer to Figure 21). Factory approved condensate traps are available (accessory part number EBAC01CTK).

To connect drainlines, the drain connection knock-outs must be removed. Use a knife to start the opening near the tab and using pliers, pull the tab to remove the knock-out. Clean the edge of the opening if necessary. After drain fittings are installed, caulk the seam between the fitting and the cover to retain the low leak rating of the unit.

It is recommended the PVC fittings be used on the plastic condensate pan. Do not over-tighten. Finger-tighten plus 1-1/2 turns. Use pipe dope, to ensure proper seal.

Install traps in the condensate lines as close to the coil as possible (refer to Figure 23), but avoid blocking filter access panel.

Install drain lines below the bottom of the drain pan and pitch the drain lines down from the coil at least 1/4 inch per foot of run (6mm per 0.3m). Horizontal runs over 15 feet (5m) long must also have an anti-siphon air vents (stand pipes), installed ahead of the horizontal runs. Extremely long horizontal runs may require oversized drain lines to eliminate air trapping.

Route primary drain line to the outside or to a floor drain. Check local codes before connecting to a waste (sewer) line.

Route the secondary drain line to a place in compliance with local installation codes where it will be noticed when unit is operational. Condensate flowing from secondary (overflow) drain indicates a plugged primary drain – unit requires service or water damage will occur.

Prime all traps, test for leaks, and insulate drain lines where sweating could cause water damage. Consult local codes for additional requirements or precautions.

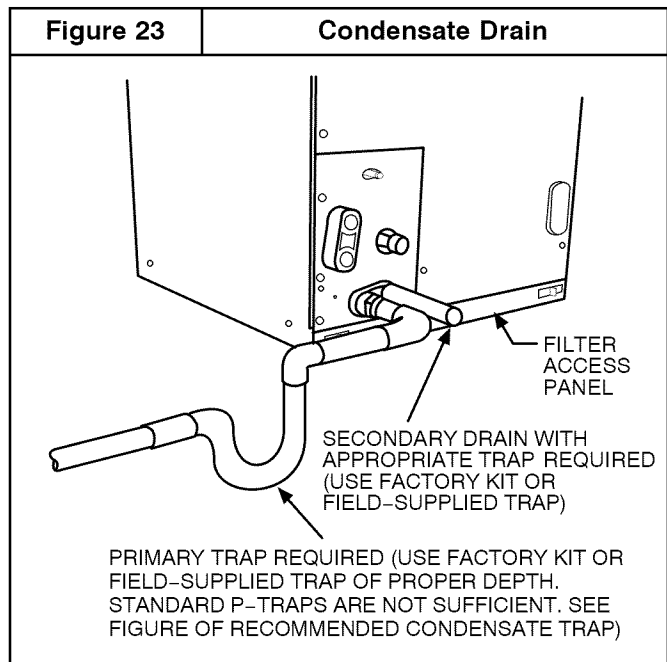
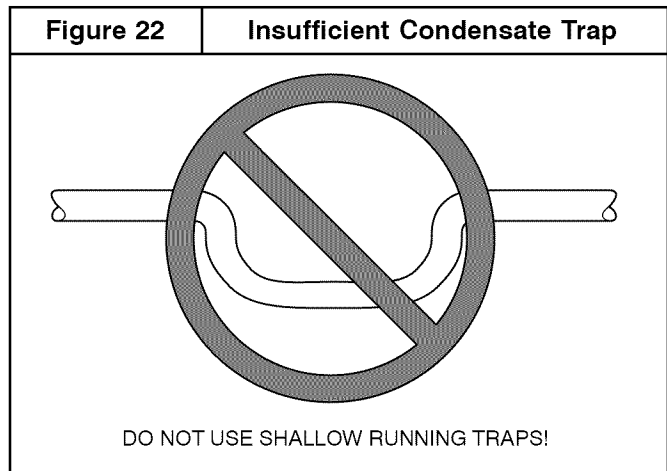
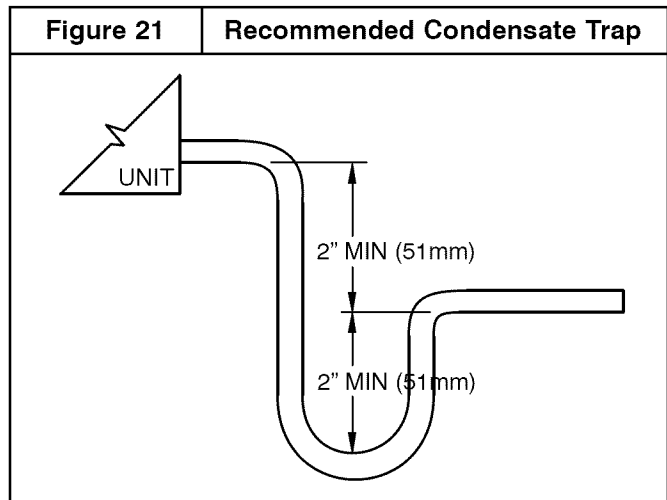
If a gravity drain cannot be used, install a condensate pump. Install the pump as close to the indoor section as possible.

⚠ CAUTION

PRODUCT or PROPERTY DAMAGE HAZARD

Failure to follow this caution may result in product or property damage.

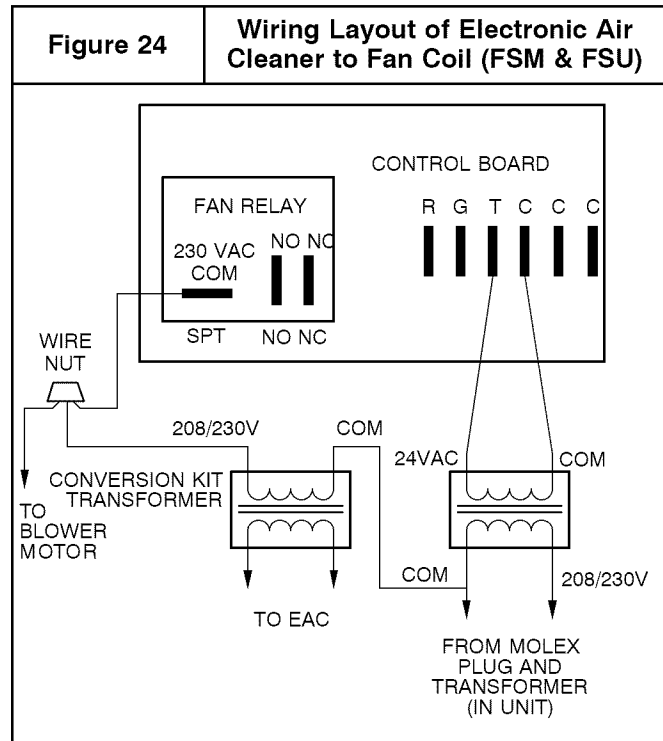
Use only full size P-traps in the condensate line (refer to Figure 21). Shallow, running traps are inadequate and DO NOT allow proper condensate drainage (refer to Figure 22).



ACCESSORIES

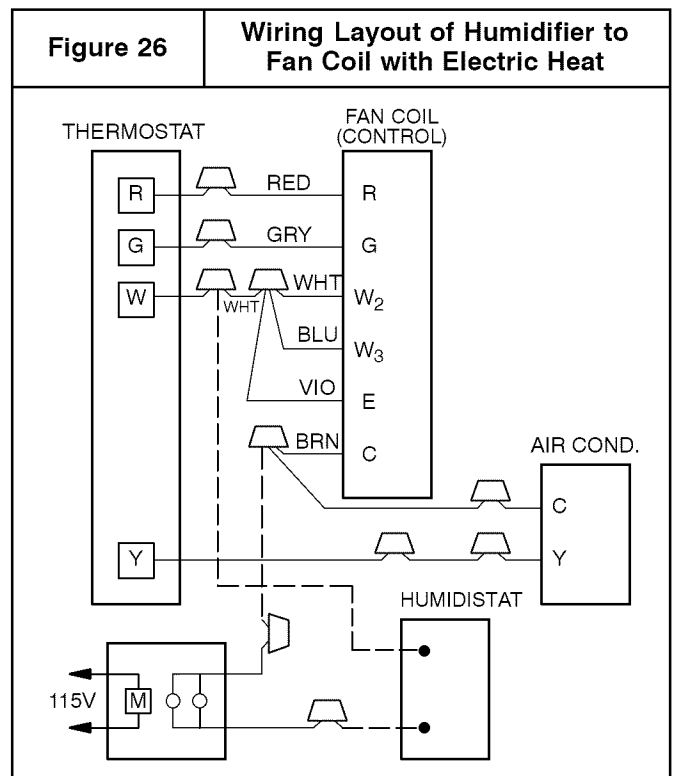
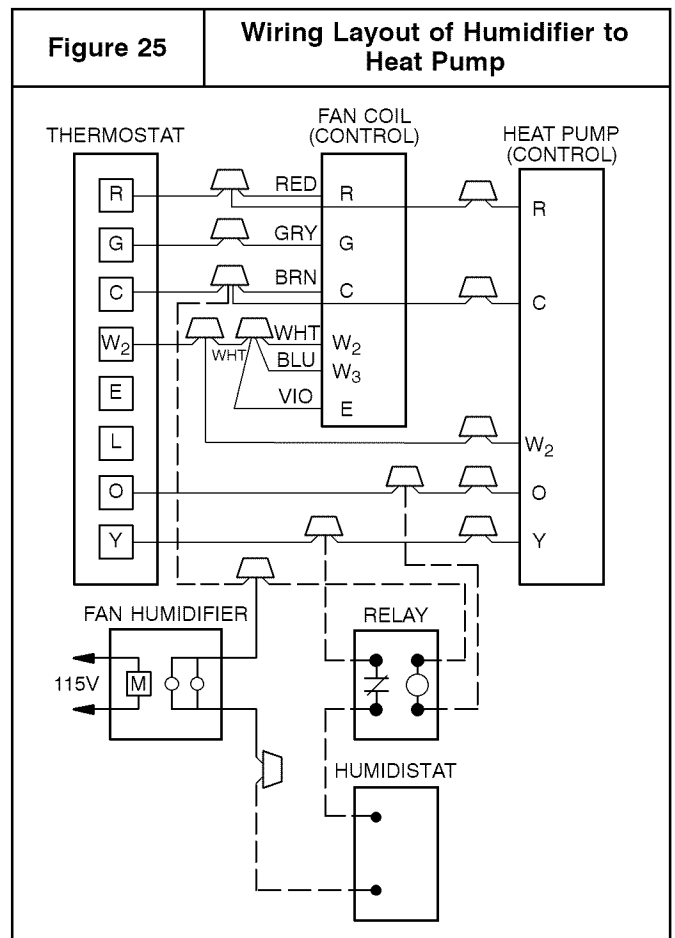
A. ELECTRONIC AIR CLEANER

The Electronic Air Cleaner may be connected to fan coils as shown in Figure 24. This method requires a field supplied transformer. See Electronic Air Cleaner literature for kit requirements.



B. HUMIDIFIER

Connect humidifier and humidistat to fan coil unit as shown in Figure 25 and Figure 26.



SEQUENCE OF OPERATIONS

A. CONTINUOUS FAN

Thermostat closes R to G. G energizes fan relay on PCB (FSM4P, FSU4P) or sends signal direct to motor (FEM4P), which completes circuit to indoor blower motor. When G is de-energized, there is a 90 second off delay before relay opens.

B. COOLING MODE

Thermostat energizes R to G, R to Y, and R to O (heat pump only). G energizes fan relay on PCB (FSM4P, FSU4P) or sends signal direct to motor (FEM4P), which completes circuit to indoor blower motor. When G is de-energized, there is a 90 second off delay before fan relay opens.

C. HEAT PUMP HEATING MODE

Thermostat energizes R to G and R to Y. G energizes fan relay on PCB (FSM4P, FSU4P) or sends signal direct to motor (FEM4P), which completes circuit to indoor blower

motor. When G is de-energized, there is a 90 second off delay before fan relay opens.

D. HEAT PUMP HEATING WITH AUXILIARY ELECTRIC HEAT

Thermostat energizes R to G, R to Y, and R to W. G energizes fan relay on PCB which completes circuit to indoor blower motor. W energizes electric heat relay(s) which completes circuit to heater element(s). When W is de-energized, electric heat relay(s) open, turning off heater elements. When G is de-energized there is a 90 second off delay before fan relay opens.

E. ELECTRIC HEAT OR EMERGENCY HEAT MODE

Thermostat closes R to W. W energizes electric heat relay(s) which completes circuit to heater element(s). Blower motor is energized through normally closed contacts on fan relay. When W is de-energized, electric heat relay(s) opens.

START-UP PROCEDURE

Refer to outdoor unit Installation Instructions for system start-up instructions and refrigerant charging method details.

CARE AND MAINTENANCE

The system should be regularly inspected by a qualified service technician. Consult the servicing dealer for recommended frequency.

Between visits, the only consumer service recommended or required is air filter maintenance and condensate drain operation.

Air Filter

Inspect air filters at least monthly and replace or clean as required. Disposable type filters should be replaced. Reusable type filters may be cleaned by soaking in mild detergent and rinsing with cold water. Install filters with the arrows on the side pointing in the direction of air flow.

Condensate Drain

During the cooling season check at least monthly for free flow of drainage and clean if necessary.



CAUTION

PRODUCT DAMAGE HAZARD

Failure to follow this caution may result in poor unit performance and/or product damage.

Never operate unit without a filter. Factory authorized filter kits must be used when locating the filter inside the unit. For those applications where access to an internal filter is impractical, a field-supplied filter must be installed in the return duct system.

AIRFLOW PERFORMANCE TABLES

Table 1 – FEM4P Airflow Performance (CFM)

MODEL & SIZE	BLOWER SPEED	TOTAL STATIC (inches water column)					
		0.10	0.20	0.30	0.40	0.50	0.60
FEM4P1800	Tap 5	767	739	702	669	620	565
	Tap 4	614	569	534	486	436	398
	Tap 3	701	660	616	581	537	499
	Tap 2	614	569	534	486	436	398
	Tap 1	614	569	534	486	436	398
FEM4P2400	Tap 5	969	936	892	835	763	676
	Tap 4	826	795	766	743	706	660
	Tap 3	826	795	766	743	706	660
	Tap 2	701	660	616	581	537	499
	Tap 1	617	592	552	507	472	420
FEM4P3000	Tap 5	1108	1090	1065	1034	1009	974
	Tap 4	1026	1000	969	938	899	865
	Tap 3	1026	1000	969	938	899	865
	Tap 2	909	873	842	799	762	724
	Tap 1	825	795	757	722	674	634
FEM4P3600	Tap 5	1301	1276	1245	1218	1176	1121
	Tap 4	1227	1191	1169	1143	1105	1074
	Tap 3	1227	1191	1169	1143	1105	1074
	Tap 2	1087	1062	1030	1001	966	930
	Tap 1	1026	1000	969	938	899	865
FEM4P4200	Tap 5	1560	1544	1507	1464	1424	1358
	Tap 4	1419	1397	1358	1320	1279	1239
	Tap 3	1419	1397	1358	1320	1279	1239
	Tap 2	1249	1220	1184	1142	1093	1052
	Tap 1	1242	1205	1158	1110	1069	1026
FEM4P4800	Tap 5	1743	1712	1679	1642	1610	1574
	Tap 4	1669	1634	1599	1564	1531	1499
	Tap 3	1669	1634	1599	1564	1531	1499
	Tap 2	1452	1413	1377	1339	1308	1271
	Tap 1	1300	1256	1221	1182	1142	1101

Table 2 – FSM4P and FSU4P Airflow Performance (CFM)

MODEL & SIZE	BLOWER SPEED	TOTAL STATIC (inches water column)											
		0.10		0.20		0.30		0.40		0.50		0.60	
		208V	230V	208V	230V	208V	230V	208V	230V	208V	230V	208V	230V
FSM4P1800	High	742	825	707	768	642	714	568	648	466	526	403	434
FSU4P1800	Low	541	608	480	564	417	511	357	431	299	363	n/a	304
FSM4P2400	High	1041	1112	969	1030	888	936	774	791	573	654	341	438
FSU4P2400	Low	874	1014	838	953	781	868	684	740	506	573	341	418
FSM4P3000	High	1256	1327	1186	1242	1071	1132	952	1005	704	791	459	482
FSU4P3000	Low	965	1117	949	1074	916	1019	805	902	575	637	396	447
FSM4P3600	High	1306	1490	1264	1418	1207	1338	1135	1241	1043	1127	842	937
FSU4P3600	Low	1164	1335	1144	1290	1108	1226	1052	1148	970	1048	697	855
FSM4P4200	High	1723	1768	1639	1681	1544	1576	1435	1465	1309	1340	1144	1182
FSU4P4200	Low	1387	1543	1358	1488	1311	1410	1237	1315	1137	1200	997	1047
FSM4P4800	High	1902	1941	1803	1867	1706	1767	1593	1648	1472	1512	1303	1371
FSU4P4800	Low	1671	1777	1630	1711	1563	1630	1479	1528	1370	1412	1218	1266

■ – Airflow outside 450 cfm/ton.

NOTES:

- Airflow based upon dry coil at 230v with factory-approved filter and electric heater (2 element heater sizes 1800 through 3600, 3 element heater sizes 4200 through 4800). For FEM4P models, airflow at 208 volts is approximately the same as 230 volts because the ECM motor is a constant torque motor. The torque doesn't drop off at the speeds the motor operates.
- To avoid potential for condensate blowing out of drain pan prior to making drain trap:
Return static pressure must be less than 0.40 in. wc.
Horizontal applications of 4200 – 4800 sizes must have supply static greater than 0.20 in. wc.
- Airflow above 400 cfm/ton on 4800 size could result in condensate blowing off coil or splashing out of drain pan.

Table 3 – FEM4P Air Delivery Performance Correction Component Pressure Drop (in. wc) at Indicated Airflow (Dry to Wet Coil)

UNIT SIZE	CFM															
	500	600	700	800	900	1000	1100	1200	1300	1400	1500	1600	1700	1800	1900	2000
18	0.034	0.049	0.063	---	---	---	---	---	---	---	---	---	---	---	---	---
24	0.034	0.049	0.063	0.076	0.089	---	---	---	---	---	---	---	---	---	---	---
30	---	---	---	0.049	0.059	0.070	0.080	---	---	---	---	---	---	---	---	---
36	---	---	---	---	---	0.070	0.080	0.090	0.099	---	---	---	---	---	---	---
42	---	---	---	---	---	---	---	0.049	0.056	0.063	0.070	---	---	---	---	---
48	---	---	---	---	---	---	---	---	---	0.063	0.070	0.076	0.083	0.090	---	---

Table 4 – FSM4P and FSU4P Air Delivery Performance Correction Component Pressure Drop (in. wc) at Indicated Airflow (Dry to Wet Coil)

UNIT SIZE	CFM															
	500	600	700	800	900	1000	1100	1200	1300	1400	1500	1600	1700	1800	1900	2000
18	0.016	0.027	0.038	---	---	---	---	---	---	---	---	---	---	---	---	---
24	0.016	0.027	0.038	0.049	0.059	---	---	---	---	---	---	---	---	---	---	---
30	---	---	---	0.036	0.046	0.055	0.064	---	---	---	---	---	---	---	---	---
36	---	---	---	---	---	0.055	0.064	0.073	0.081	---	---	---	---	---	---	---
42	---	---	---	---	---	---	---	0.049	0.056	0.063	0.070	---	---	---	---	---
48	---	---	---	---	---	---	---	---	---	0.038	0.043	0.049	0.054	0.059	---	---

Table 5 – FEM4P Electric Heater Static Pressure Drop (in. wc)

UNIT SIZE	CFM									
	400	600	800	1000	1200	1400	1600	1800	2000	
18, 24	0.020	0.044	0.075	---	---	---	---	---	---	
30, 36	---	---	0.048	0.072	0.100	---	---	---	---	
42, 48	---	---	---	---	0.070	0.092	0.120	0.152	---	

Table 6 – FSM4P and FSU4P Electric Heater Static Pressure Drop (in. wc)

UNIT SIZE	CFM									
	400	600	800	1000	1200	1400	1600	1800	2000	
18, 24	0.020	0.044	0.075	0.110	0.100	---	---	---	---	
30, 36, 42	---	---	0.048	0.072	0.100	0.130	0.120	---	---	
48	---	---	---	---	---	0.092	0.120	0.152	0.187	

Table 7 – Electric Heater Static Pressure Drop (in. wc)

FEM4P, FSM4P, and FSU4P 1800 – 3600			FEM4P, FSM4P, and FSU4P 4200 – 6000		
HEATER ELEMENTS	kW	EXTERNAL STATIC PRESSURE CORRECTION	HEATER ELEMENTS	kW	EXTERNAL STATIC PRESSURE CORRECTION
0	0	+ .02	0	0	+ .04
1	3, 5	+ .01	2	8, 10	+ .02
2	8, 10	0	3	9, 15	0
3	9, 15	- .02	4	20	- .02
4	20	- .04	6	18, 24, 30	- .10

R-410A QUICK REFERENCE GUIDE

- R-410A refrigerant operates at 50% – 70% higher pressures than R-22. Be sure that servicing equipment and replacement components are designed to operate with R-410A.
- R-410A refrigerant cylinders are rose colored.
- Recovery cylinder service pressure rating must be 400 psig, DOT 4BA400 or DOT BW400.
- R-410A systems should be charged with liquid refrigerant. Use a commercial type metering device in the manifold hose.
- Manifold sets should be 750 psig high-side and 200 psig low-side with 520 psig low-side retard.
- Use hoses with 750 psig service pressure rating.
- Leak detectors should be designed to detect HFC refrigerant.
- R-410A, as with other HFC refrigerants, is only compatible with POE oils.
- POE oils absorb moisture rapidly. Do not expose oil to atmosphere.
- POE oils may cause damage to certain plastics and roofing materials.
- Vacuum pumps will not remove moisture from oil.
- A liquid line filter-drier is required on every unit.
- Do not use liquid line filter-driers with rated working pressures less than 600 psig.
- Do not install a suction line filter-drier in liquid line.
- Wrap all filter-driers and service valves with wet cloth when brazing.
- Do not use capillary tube indoor coils.
- Never open system to atmosphere while it is under a vacuum.
- When system must be opened for service, break vacuum with dry nitrogen and replace all filter-driers.
- Do not vent R-410A into the atmosphere.
- Observe all **WARNINGS**, **CAUTIONS**, **NOTES**, and **bold** text.