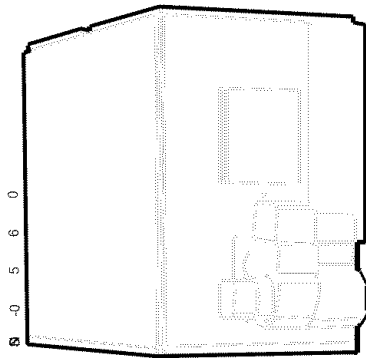
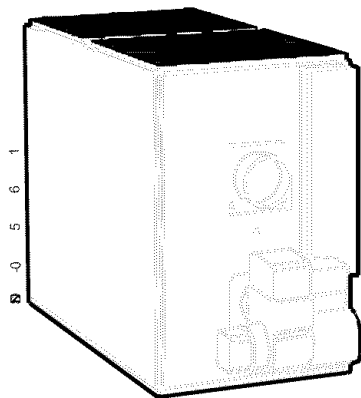


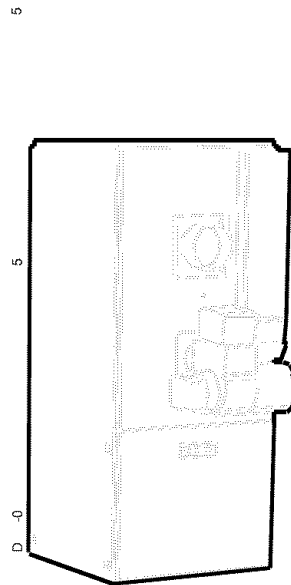
# Installation instructions and homeowners manual



OLB5-R /  
OLB6-R



OLB5-F



OHB5-F /  
OHB6-F

DNS-0562 Rev A



## UPFLOW OIL WARM AIR FURNACE

Save these instructions for future reference.

### Models:

OLB5-R059-085-3  
OLB6-R097-130-5  
OHB5-F059-085-3  
OHB6-F097-130-5  
OLB5-F059-085-3  
OLR105A12B  
OLR160B20B  
OUF105A12B  
OUF160B18B  
OLF105A12B  
NOLF105A12B  
NOUF105A12B  
NOUF160B18B

Manufactured by:

*International Comfort Products*  
(Division of U.T.C. Canada)  
3400 Blvd Industriel Sherbrooke PQ Canada

**Caution : Do not tamper with  
the unit or its controls.  
Call a qualified service  
technician.**

# PART 1 INSTALLATION

## SAFETY CONSIDERATIONS

INSTALLATION OF OIL FIRED HEATING UNITS SHALL BE IN ACCORDANCE WITH THE REGULATION OF AUTHORITIES HAVING JURISDICTION, IN CANADA THE CSA B139 OR IN UNITED STATES THE NFPA NO.31-1992 INSTALLATION CODE FOR OIL BURNING EQUIPMENT.

DO NOT OPERATE FURNACE IN A CORROSIVE ATMOSPHERE CONTAINING CHLORINE, FLUORINE OR ANY OTHER DAMAGING CHEMICALS.

DO NOT STORE OR USE GASOLINE, OR OTHER FLAMMABLE VAPOURS AND LIQUIDS IN THE VICINITY OF THIS OR ANY OTHER APPLIANCE.

### 1) SAFETY LABELLING AND SIGNAL WORDS

#### 1.1) Danger, Warning and Caution:

The signal words **DANGER**, **WARNING** and **CAUTION** are used to identify levels of hazard seriousness. The signal word **DANGER** is only used in product labels to signify an immediate hazard. The signal words **WARNING** and **CAUTION** will be used on product labels and throughout this manual and other manuals that may apply to the product.

#### 1.2) Signal Words:

**DANGER** – Immediate hazards which **WILL** result in death or serious injury.

**WARNING** – Hazards or unsafe practices which **COULD** result in death or injury.

**CAUTION** – Hazards or unsafe practices which **COULD** result in personal injury or product or property damage.

#### 1.3) Signal Words in Manuals:

The signal word **WARNING** is used throughout this manual in the following manner:

## ! WARNING

The signal word **CAUTION** is used throughout this manual in the following manner:

## CAUTION

### 2) SAFE INSTALLATION REQUIREMENTS

## ! WARNING

Installation or repairs made by unqualified persons can result in hazards to you and others. Installation **MUST** conform with codes or, in the absence of local codes, with codes of the country having jurisdiction.

The information contained in this manual is intended for use by a qualified service technician familiar with safety procedures and equipped with the proper tools and test instruments.

Failure to carefully read and follow all instructions in this manual can result in furnace malfunction, property damage, personal injury and/or death.

## ! WARNING

### Fire hazard

The furnace must be installed in a level position, never where it will slope to the front.

If the furnace were installed in that position, oil could drain into the furnace vestibule and create a fire hazard, instead of draining properly into the combustion chamber.

**NOTE:** It is the personal responsibility and obligation of the customer to contact a qualified installer to ensure that the installation is adequate and conforms to governing codes and ordinances.

- This furnace is NOT approved for installation in mobile homes, trailers or recreation vehicles.
- You must have a sufficient supply of fresh air for combustion and ventilation to the area in which the furnace is located.
- Do **NOT** use this furnace as a construction heater or to heat a building that is under construction.
- Use only the Type of fuel oil approved for this furnace (see **Rating Plate** on unit). Overfiring will result in failure of heat exchanger and cause dangerous operation.
- Visually check all oil line joints for signs of wetness, which would indicate a leak.
- Connect furnace to a side-wall terminal or chimney.
- The points in Part 2 "Operation" are vital to the proper and safe operation of the heating system. Take the time to be sure they are all done.
- Follow the rules of the NFPA Pamphlet No.31 (for USA) and B-139 (for Canada) or local codes for locating and installing the oil storage tank.
- Follow a regular service and maintenance schedule for efficient and safe operation.

- j. Before servicing, allow furnace to cool. Always shut off electricity and fuel to furnace when servicing. This will prevent electrical shock or burns.
- k. Seal supply and return air ducts.
- l. The vent system **MUST** be checked to determine that it is the correct type and size.
- m. Install correct filter type and size.
- n. Unit **MUST** be installed so electrical components are protected from direct contact with water.

## 2.1) Safety Rules:

Your unit is built to provide many years of safe and dependable service providing it is properly installed and maintained. However, abuse and/or improper use can shorten the life of the unit and create hazards for you, the owner.

- a. The U.S. Consumer Product Safety Commission recommends that users of oil-burning appliances install carbon monoxide detectors. There can be various sources of carbon monoxide in a building or dwelling. The sources could be gas-fired clothes dryers, gas cooking stoves, water heaters, furnaces, gas-fired fireplaces, wood fireplaces, and several other items. Carbon monoxide can cause serious bodily injury and/or death. Therefore, to help alert people of potentially dangerous carbon monoxide levels, you should have carbon monoxide detectors listed by a nationally recognised agency (e.g. Underwriters Laboratories or International Approval Services) installed and maintained in the building or dwelling (see Note).
- b. There can be numerous sources of fire or smoke in a building or dwelling. Fire or smoke can cause serious bodily injury, death, and/or property damage. Therefore, in order to alert people of potentially dangerous fire or smoke, you should have fire and smoke detectors listed by Underwriters Laboratories installed and maintained in the building or dwelling (see Note below).

**NOTE:** The manufacturer of your furnace does not test any detectors and makes no representations regarding any brand or type of detector.

### CAUTION

Insure that the area around the combustion air intake terminal is free of snow, ice and debris.

### CAUTION

The air pressure switch **MUST** be used when the furnace is vented by the side-wall.

### CAUTION

Do not use any commercially available soot remover. This furnace has fiber type refractory combustion chamber. Normal servicing of this unit does not require cleanings of the combustion chamber. Use extreme care if for any reason you have to work in the area of the combustion chamber.

## 2.2) Freezing Temperature and Your Structure:

Your unit is equipped with safety devices that may keep it from operating if sensors detect abnormal conditions such as clogged exhaust flues.

WARNING

**Freeze warning.**

**Turn off water system.**

**If your unit remains shut off during cold weather the water pipes could freeze and burst, resulting in serious water damage.**

If the structure will be unattended during cold weather you should take these precautions.

- a. Turn off main water supply into the structure and drain the water lines if possible. Open faucets in appropriate areas.
- b. Have someone check the structure frequently during cold weather to make sure it is warm enough to prevent pipes from freezing. Suggest they call a qualified service agency, if required.

## 2.3) Installation regulation:

All local and national code requirements governing the installation of oil burning equipment, wiring and flue connections **MUST** be followed. Some of the codes that may be applicable are:

CSA B139	INSTALLATION CODE FOR OIL BURNING EQUIPMENT
NFPA 31	INSTALLATION OF OIL BURNING EQUIPMENT
ANSI/NFPA 90B	WARM AIR HEATING AND AIR CONDITIONING SYSTEMS
ANSI/NFPA 70	NATIONAL ELECTRICAL CODE
CSA C22.2 No3	CANADIAN ELECTRICAL CODE

Only the latest issues of the above codes should be used.

## 3) LOCATING THE FURNACE

### CAUTION

Check carefully your furnace upon delivery for any evidence of damage that may have occurred during shipping and handling. Any claims for damages or lost parts must be made with the Transport Company.

### 3.1) Location:

Locate the furnace as closely as possible to the chimney or vent terminal, providing ample clearance to permit easy accessibility for cleaning the inside of the furnace, the removal of filters, blower, motors, controls and flue connections.

The OCF is certified for reduced clearances to combustibles, which means it can be installed in an alcove, closet or crawl space by obeying the clearances specified on the rating plate.

In the downflow position, the OCF is certified for use on combustible floors only when the accessory No CFB-1 "Combustible Floor Base" is used in the installation.

In the horizontal (air left or right) position, the OCF is certified for use on combustible floors only when the accessory No. HFB-1 "Horizontal Floor Base" is used in the installation.

In the horizontal (air left or right) position, the OCF can be suspended using an angle iron frame with threaded rod hangers provided the weight of the frame and furnace considered in the support calculations.

For an attic installation, keep the building at least 12" away from any opening in the furnace enclosure as some insulation can be combusted.

However, do not install furnace directly on carpet or other combustible material which can trapped air under the floor.

The furnace must be installed level for safe quiet operation.

**CAUTION**

Do **NOT** operate furnace in a corrosive atmosphere containing chlorine, fluorine or any other damaging chemicals. Refer to Part 1, section 5.2.

**TABLE #1**  
**Minimum Installation clearances from combustible materials (Chimney installation\*)**

LOCATION	APPLICATION	ODH5-F059-085-3 AND OCF105A12B
	Furnace	1"
Sides	Supply plenum, warm air duct within 6 ft of furnace	1"
Back	Furnace	1"
Top	Furnace casing or plenum	1"
Bottom	Furnace – combustible floor **	0" **
Front	Furnace	24"

\* See Part 1 section 4.3 for Direct Vent application clearance.  
\*\* Combustible floor requires accessory bases CFB-1 or HFB-1.

#### 4) VENTING

##### 4.1) General:

The furnaces can be vented in several ways:

##### Chimney Vented:

Using the Beckett AFG or Riello 40-F burner, the furnaces can be chimney vented with or without a barometric damper. The unit will be operated at a **negative** over fire draft and stack draft.

DV-2000™ venting system for maximum efficiency, and without the use of a side-wall power ventor. The unit will be operated at a **positive** overfire draft and stack draft.

##### 4.2) Chimney installations:

The oil furnaces, when set up for chimney venting, are certified for use with L-vent, A-vent, tile-lined and metal-liner-tile-lined chimneys, and can be vented both with and without a barometric draft damper. However, the furnace has not been certified without the barometric damper when it is to be co-vented with another oil-fired appliance, such as a water heater.

##### With a barometric damper:

The appliance may be installed in a chimney of the proper size and adequate chimney base temperature as specified in the Installation Code. When a barometric damper is used, the basement air entering the damper reduces the possibility of vent condensation. The relevant excerpt from the code is found in this section - Use it as a guide when local or national codes do not exist. To increase the chimney base temperature, add a vent connector insulation is a possibility.

**! WARNING**

**Poison carbon monoxide gas, fire and explosion hazard.**

**Read and follow all instructions in this section.**

**Failure to properly vent this furnace can result in property damage, personal injury and/or death.**

**! WARNING**

**Poison carbon monoxide gas hazard**

**Never co-vent the furnace with another combustion appliance when side-wall venting.**

**To do so may result in asphyxiation and death to the occupants**

##### Side-wall Vented:

Using the Beckett AFII or Riello 40-BF burner with the integral pre and post purge controls, the system can be side-wall vented with the new

**! WARNING**

**Poison carbon monoxide gas hazard**

**Never install a hand operated damper in the vent pipe. However, any Underwriters Laboratories listed electrically operated automatic type vent damper may be installed if desired. Be sure to follow instructions provided with vent damper. Read and follow all instructions in this section.**

**Failure to properly vent this furnace or other appliances can result in property damage, personal injury and/or death.**

**Without a barometric damper:**

Due to the lack of dilution air that would ordinarily be drawn into the barometric damper, the dew point of the flue gasses is raised. To offset the increased tendency for vent condensation, the chimney must be lined. The liner must be insulated according to the insulating procedure recommended by the manufacturer of the liner. Also, the vent connector should be as short as possible and either be of double wall construction, or be of single wall construction insulated with 1" of insulation.

**NOTES:** Thermal resistance values for typical chimneys are as follows:

- R2 (2 ft<sup>2</sup> •hr •°F / Btu): clay-lined masonry, A-vent
- R3 (3 ft<sup>2</sup> •hr •°F / Btu): metal liner in clay-lined Masonry
- R6 (6 ft<sup>2</sup> •hr •°F / Btu): metal or clay-lined masonry with R4.5 (4.5 ft<sup>2</sup> •hr •°F / Btu) insulation between liner and masonry (e.g. 2 in. of expanded mica or 1 3/8 in. of high density glass fibreboard.)

**CAUTION**

When the furnace (chimney installation) is co-vented with other combustion appliances such as a water heater, the allowable venting materials (i.e. L-Vent etc.) for use with those appliances should also be investigated.

**Flue pipe sizing:**

The following table is an excerpt from the installation code and indicates permitted flue sizes and minimum base temperatures for circular flues in chimney with thermal resistance less than R6 (6 ft<sup>2</sup> •hr •°F / Btu). Where a new appliance, burner, or chimney is installed, chimney vent sizes and flue-gas temperatures (measured at the chimney connector with the barometric damper shut, if applicable, after 5 minutes of operation) shall comply with the table #2.

**Applying the Table:**

If a furnace with 0.60 USGPH nozzle is to be connected to a 20 ft. tall clay-lined masonry chimney, the thermal resistance of this chimney type is R2, which is less than R6. The actual firing rate at 156 psig is 1.25 x .60 = .75. Therefore this table shall apply as:

The minimum size permitted shall be 4 in. inside diameter.

The maximum size permitted shall be 5 in. inside diameter.

The minimum base temperature shall be about 320°F.

**TABLE # 2**

Total input rating of all connected appliances			Flue inside diameter (in)		Minimum base temperature (°F) for chimney height (ft) of :			
kW	kBtu/h	USGPH	Min.	Max.	11	20	28	36
21	70	0.50	3	5	300	400	535	725
27	91	0.65	3	5	275	340	430	535
31	105	0.75	4	5	260	320	380	475
36	119	0.85	4	5	250	300	355	430
41	140	1.00	4	6	225	300	365	430
51	175	1.25	4	6	240	275	320	365

**4.3) Side-wall venting, DV-2000™ Direct Vent System:**

The furnace can be side-wall vented without the use of a side-wall power ventor using the new DV -2000™ venting system with the high static pressure Beckett AFII and Riello 40-BF oil burners. **Outdoor combustion air must be directly connected to the burner of the DV-2000™ venting system w ill not function.**

The notable characteristics of the DV -2000™ system are as follows:

1. Certified to use the following materials for ducting the intake air from the terminal to the burner; Schedule 40 PVC DWV, Schedule 40 ABS DWV, And ASTM 2729 Sewer Pipe.
2. One hole of minimal size (6") is required to be cut in the side-wall, and the terminal is designed to fit through a minimum 2 X 8 joist space.
3. Incorporates a vent blockage safety shutdown system. If the vent or intake opening ever becomes partially or fully blocked, the burner will shut down before a #1 smoke occurs.
4. The intake and vent circuits within the terminal can be accessed for cleaning.

There are 3 main components to the DV -2000™ system; the VTK vent terminal kit, the IFV insulated flexible venting material and the field-supplied 3" PVC or ABS intake piping.

**! WARNING**

**Poison carbon monoxide gas hazard**

**Even though the flexible venting is insulated, it cannot be run through an unheated space.**

**To do so could cause residual condensation inside the stainless steel liner, which may eventually perforate the liner and allow vent gasses to enter the dwelling.**

**Vent terminal kits – DV-2000™:**

The certified standard vent terminal kit is Model No. VTK-1 or VTK-2, and is suitable for installation in walls up to 14" thick. An alternate kit, Model VTK-1-DW or VTK-2-DW is available to accommodate walls up to 25" thick. Both kits contain the following items to complete the hook-up to the venting and furnace:

- 1 Terminal
- 2 Sealing Clamps
- 1 Side-wall Venting Breech Plate
- 2 Sealing Strips
- 1 Inner Wall Plate
- 1 Pressure Control with Tubing

- 2 Insulated Quick-connect Terminals
- 3 Stainless Steel Screws
- 6 Self tapping stainless steel screws

**Insulated flexible venting - DV-2000™:**

The certified venting materials come in 3 lengths, Model No. IFV3-15, IFV3-23 and IFV3-30 (or IFV4-15, IFV4-23 and IFV4-30 for 160 models) are corresponding to 15', 23' and 30' continuous lengths of vent. The vent construction is coaxial and incorporates a stainless

steel corrugated flexible liner surrounded by a thick insulation blanket and covered with an outer layer of flexible corrugated aluminium sleeve to protect the insulation. Splicing vent lengths together is prohibited. The maximum and minimum continuous vent lengths permitted for installation are:

5 feet minimum 30 feet maximum

**TABLE # 3.1**  
**Minimum clearances of side-wall venting (Models OLB5, OHB5, OLR105, OUF105, OLF105, NOUF105 and NOLF105)**

PORTION OF VENT	CANADA	UNITED STATES
Vent pipe, from furnace breach to 1 foot downstream of furnace breach*	1/4"	3"
Vent pipe, up to vent terminal*	ZERO	3"
Vent terminal	ZERO	ZERO

\* Do not enclose venting.

**TABLE # 3.2**  
**Minimum clearances of side-wall venting (Models OHB6, OLB6, OLR160, OUF160 and NOUF160)**

PORTION OF VENT	CANADA	ETATS-UNIS
Vent pipe, up to vent terminal*	3"	3"
Vent terminal	ZERO	ZERO

\*Do not enclose venting.

**Installation considerations - DV-2000™:**

Select a location for the vent terminal in accordance with all local and national codes. The following requirements shall be considered to be minimum requirements that can be overridden by stricter local and national codes.

**The vent shall not terminate:**

- a. directly above a paved sidewalk or paved driveway that is located between two buildings, and that serves both buildings;
- b. less than 7 feet above any paved driveway;
- c. within 6 feet (in Canada) or 4 feet (in United States) of a window or door, or mechanical air supply inlet to any building;
- d. within 6 feet (in Canada) or 1 foot (in United States) from the soffit of the roof of the structure.
- e. above a gas meter/regulator assembly within 3 feet of a vertical centerline of the regulator;
- f. within 6 feet of any gas service regulator vent outlet, or within 3 feet of an oil tank vent, or an oil fill inlet;
- g. within less than 1 foot above ground level;
- h. 6 feet of any other combustion air inlet;
- i. within 6 feet of a property line;
- j. underneath a veranda, porch or deck;
- k. so that the flue gases are directed at combustible material or any openings of surrounding buildings that are within 6 feet;
- l. less than 3 feet from an inside corner of an L-shaped structure;
- m. so that the bottom of the vent termination opening is less than 1 foot above any surface that may support ice, snow, or debris;
- n. so that the flue gases are directed toward brickwork, siding or other construction, in such a manner that may cause damage from heat or condensation from flue gases.

**Installation of side-wall venting - DV-2000™:**

**! WARNING**

**Cuts and abrasion hazard.**

**Always wear protective gloves and eye protection when handling the vent material**

**The process of cutting and fitting the flexible venting material exposes the installer to sharp edges that could cause severe cuts to the skin.**

**Connection to the furnace breach - DV-2000™:**

1. Remove the standard breach plate by removing the brass nuts.
2. Determine which direction the venting will be routed from the furnace and then install the special side-wall venting breach plate provided in the VTK Series vent kit so that the breach plate test port will be accessible after vent installation. However, do not install the breach plate with the test port pointing downward. Tighten the brass nuts.
3. The flexible venting has 4 pieces of corrugated spin sleeving that has been temporarily screwed on over top of it. Remove the spin sleeving completely by unscrewing it in a counter-clockwise direction.
4. Using tin snips, cut the aluminium outer sleeve back by 5" for the IFV Series vent (see figure #1.1). Ensure the snips are well Adjusted and sharp or the cut end of the venting will be too jagged to start the threads of the spin sleeve (see figure #1.1).
5. Prepare the furnace breach end of the insulated flex vent by first screwing the spin sleeve onto the corrugated aluminium jacket (see figure #1.2) until the trailing edge of the spin sleeve is about 12" from the end of the vent (see figure #1.3).

**CAUTION**

Most codes have a notwithstanding clause that states that products of combustion shall not enter the dwelling under any circumstances, even if all other code requirements as to construction and location have been complied with. The installer is ultimately responsible to do whatever is necessary to ensure that flue gasses do not enter the dwelling.

FIGURE # 1.1



FIGURE # 1.2

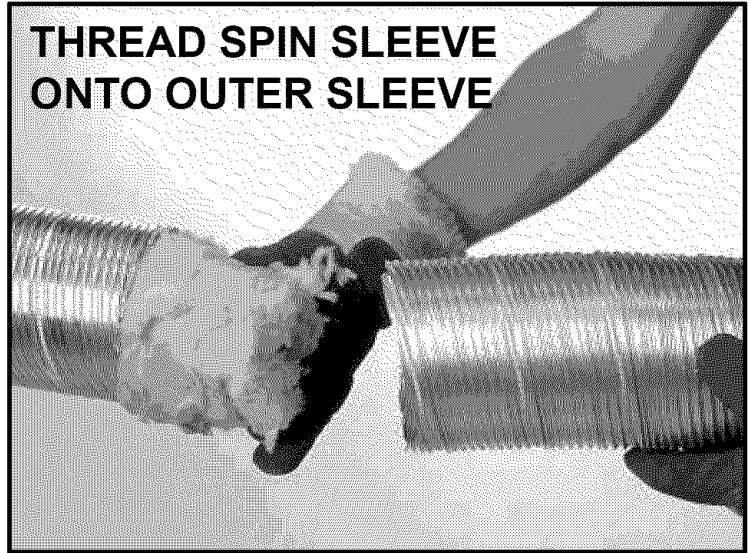


FIGURE # 1.3



FIGURE # 1.4



FIGURE # 1.5

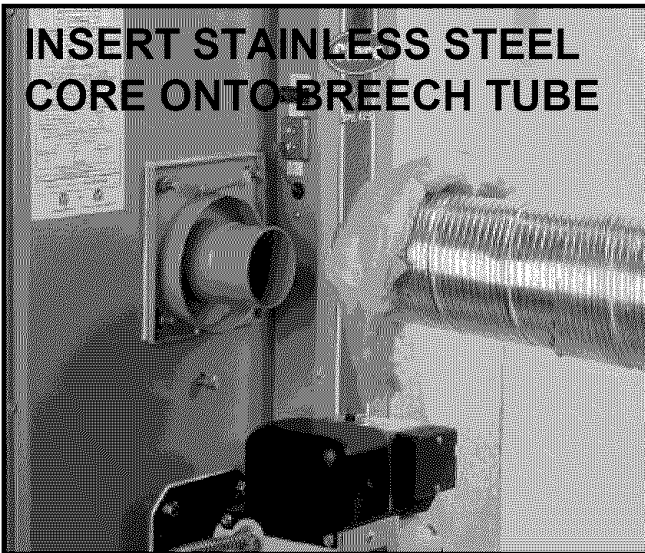


FIGURE # 1.6



FIGURE # 1.7

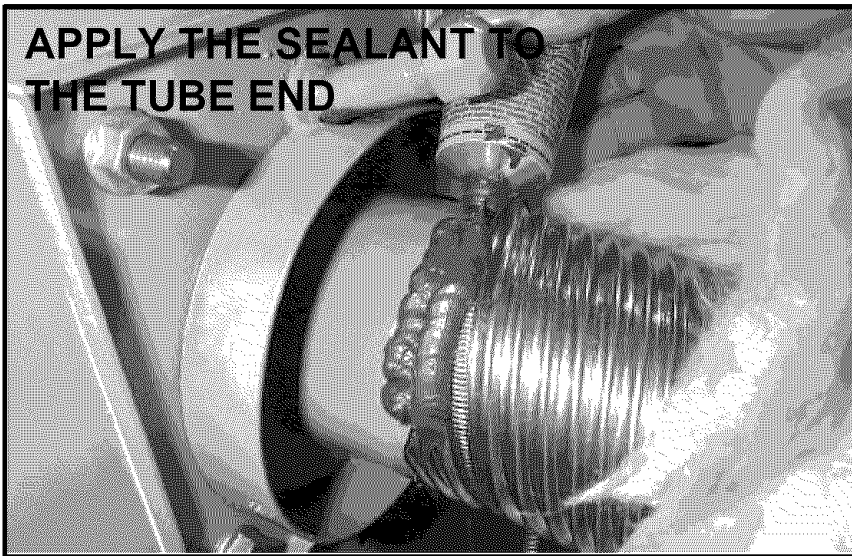


FIGURE # 1.8

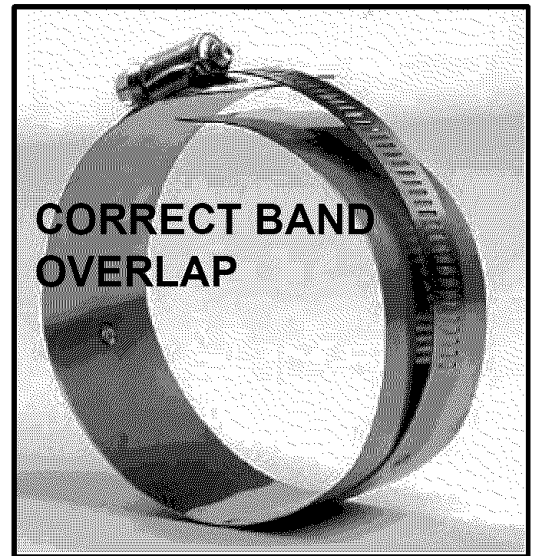


FIGURE # 1.9



FIGURE # 1.10



FIGURE # 1.11

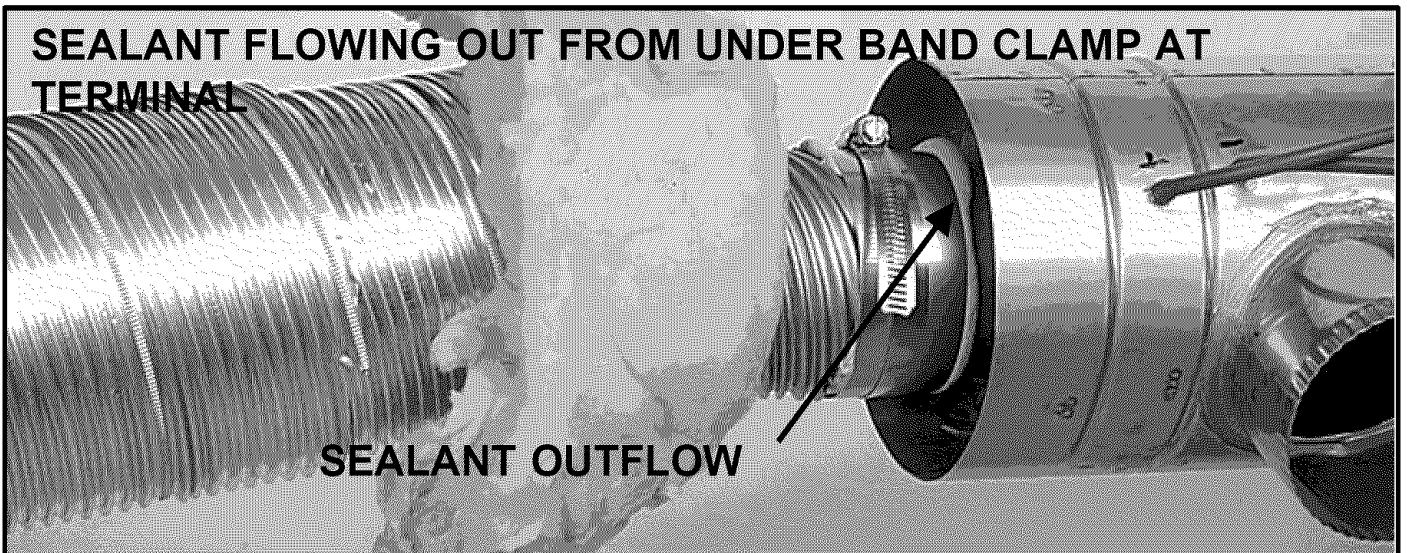




FIGURE # 1.12

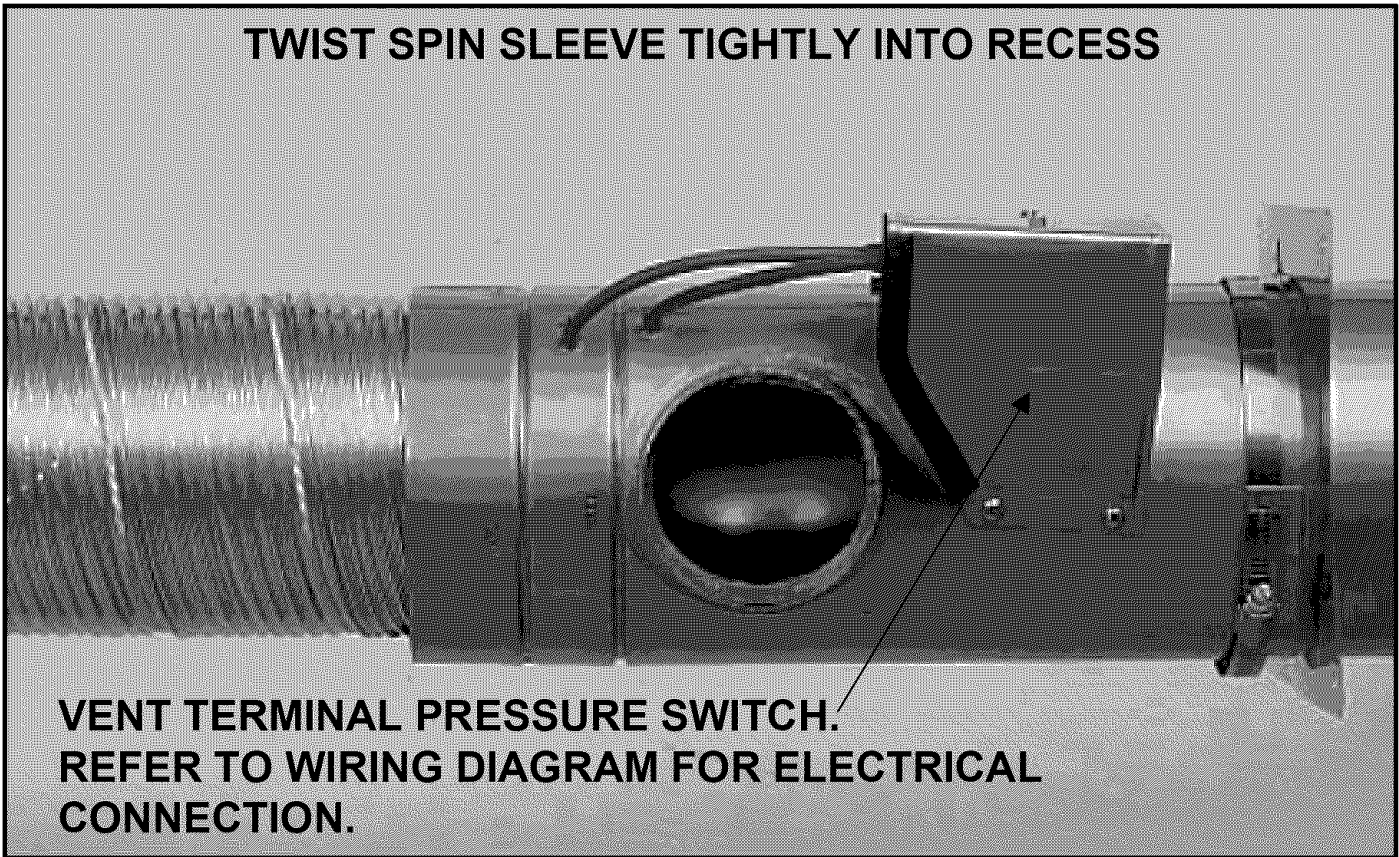


FIGURE # 1.13

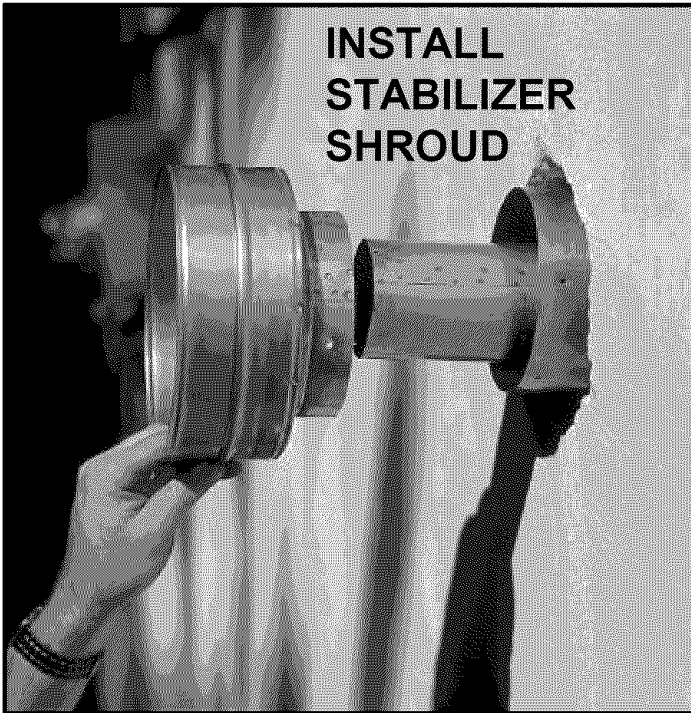
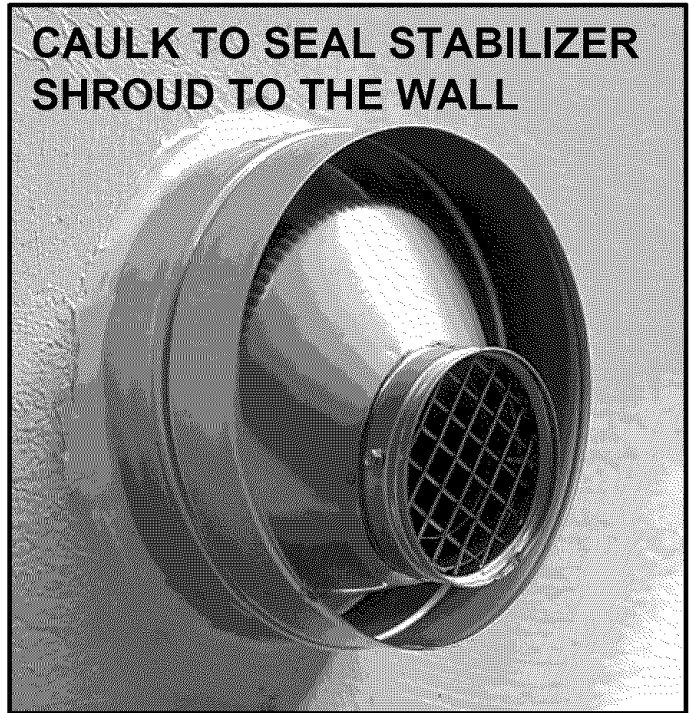


FIGURE # 1.14



6. Pull the insulation back to expose the corrugated stainless steel core.
7. Cut the corrugated stainless steel core back by 3" for the IFV Series vent. You should now have about 3" of insulation hanging out past the stainless steel core (see figure #1.4).
8. Push the stainless steel core onto the breech pipe as far as it will go (see figure #1.5) and mechanically attach the vent to the breech using three of the #8 X 1/2" self-drilling screws provided with the VTK Series kit. The screws should be equally spaced around the circumference of the stainless steel core, starting with the first screw at top dead center. Start the drill point of the screws in the valleys of the corrugations at 3/8"-5/8" back from the end of the stainless steel core, so the screw heads can be properly sealed in the forthcoming operations (see figure #1.6).
9. With the stainless steel core now firmly attached to the breech, tear off one green gum-sealing strip from the backing strip. Wrap the seal strip around the joint, always keeping the centerline of the seal strip over the line where the corrugated stainless steel core makes the transition to the smooth outer surface of the breech pipe. In other words, the seal strip must be centered over the joint. After wrapping the seal strip around once, allow 1/2" overlap and tear off the residual length (see figure #1.7).
10. Break the residual length of seal strip in to 3 equal parts and stuff them onto the screw heads of the stainless steel self-drilling screws so that the screw heads are completely covered.
11. Two stainless steel band clamps are provided in the VTK Series kits. Position one stainless steel band clamp over the gum seal joint so that the edge of the clamp closest to the breech lines up with the edge of the gum seal that is closest to the breech. Ensure that the band will close with an action of one strip sliding over the other - not under the gearhead of the draw clamp (see figure #1.8). Tighten the band clamp with considerable torque to cause the gum seal be squeezed into all crevices and to ooze out of the end of the clamp closest to the breech (see figure #1.9). The gum will eventually become rubbery.
12. The seal is permanent and should never need to be disconnected as the breech plate can be removed for cleaning and inspection using the 4-bolt joint.
13. Tuck the vent insulation into the breech collar.
14. Screw the spin sleeve tightly into the breech collar for a finished appearance. Wrap the other end of the spin sleeve with aluminium tape to cover any metal burrs that may be present (see figure #1.10).
15. Bend the venting into the desired radius coming off the breech.

#### **Connection to the vent terminal - DV-2000™:**

1. Prepare the terminal end of the insulated flex vent by first screwing the spin sleeve onto the corrugated aluminium jacket until the trailing edge of the spin sleeve is about 10" from the end of the vent.
2. Using sharp tin snips, cut the aluminium outer sleeve back by 5" for the IFV Series vent
3. Pull the insulation back to expose the corrugated stainless steel core.
4. Cut the corrugated stainless steel core back by 3" for the IFV Series vent. You should now have about 3" of insulation hanging out past the stainless steel core.
5. Push the stainless steel core onto the pipe on the back of the terminal as far as it will go and mechanically attach the vent to the terminal using three of the #8 X 1/2" self-drilling screws provided with the VTK Series kit. The screws should be equally spaced around the circumference of the stainless steel core,

starting with the first screw at top dead center. Start the drill point of the screws in the valleys of the corrugations at 3/8"-5/8" back from the end of the stainless steel core.

6. With the stainless steel core now firmly attached to the terminal, tear off the other green gum-sealing strip from the backing strip. Wrap the seal strip around the joint, always keeping the centerline of the seal strip over the line where the corrugated stainless steel core makes the transition to the smooth outer surface of the terminal pipe. After wrapping the seal strip around once, allow 1/2" overlap and tear off the residual length.
7. Break the residual length of seal strip in to 3 equal parts and stuff them onto the screw heads of the stainless steel self-drilling screws so that the screw heads are completely covered.
8. Position the other stainless steel band clamp over the gum seal joint so that the edge of the clamp closest to the terminal lines up with the edge of the gum seal that is closest to the terminal. Tighten the band clamp with considerable torque to cause the gum seal be squeezed into all crevices and to ooze out of the end of the clamp closest to the terminal (see figure #1.11).
9. The seal is permanent and should never need to be disconnected as the end of the terminal can be opened for cleaning and inspection by removing the screened end-cone assembly. Tuck the vent insulation into the recess in the terminal body.
10. Screw the spin sleeve tightly into the recess for a finished appearance. Wrap the other end of the spin sleeve with aluminium tape to cover any metal burrs that may be present (see figure #1.12).
11. Bend the venting into the desired radius coming off the terminal.

#### **Installing terminal in the wall - DV-2000™:**

1. Cut a 6" hole in the side-wall in accordance with the location considerations outlined in the previous section.
2. Fasten the wall plate to the inside-wall using 4 field-provided fasteners appropriate for the material behind the wall plate. Depending on the angle of access, the pressure control bracket may need to be removed to access the top right wall plate screw hole. For concrete and block, Tapcon™ screws or equivalent are recommended. Install the wall plate so that the top of the hole in the wall plate is positioned 1/8" lower than the top of the 6" hole in the wall. This will accommodate the proper downward slope of the terminal, in the direction from the inside to the outside.
3. Remove the 2 screws fastening the end cone in place and remove the cone.
4. Remove the 2 screws fastening the stabiliser shroud in place and remove the stabiliser shroud.
5. Insert the main body of the terminal through the wall plate so that the end of the terminal extends about 2" past the outside wall.
6. Install the stabiliser shroud and replace the two mounting screws. (see figure #1.13).
7. For concrete and block wall installations in particular, if it appears that the flange on the back of the stabiliser shroud is not large enough to cover the irregularities in the hole, a field fabricated wall plate can be constructed out of 304, 316, or 316L stainless steel.
8. Silicone seal the circumference of the joint where the stabiliser shroud connects to the main body of the terminal.
9. Apply caulking to the back plate of the stabiliser shroud and push the terminal back firmly against the wall, making sure the pressure switch is located at the top, in a horizontal position.

10. While pushing down gently on the top of the stabiliser shroud, install the 3 stainless steel 2" screws provided with the kit to secure the back of the shroud to the wall. Do not overtighten the screws or it will distort the stabiliser shroud. The screws will not be necessary in a concrete or block wall as the mortar can provide positive positioning.
11. Tighten the clamp on the wall plate to secure the terminal in position.
12. Apply more caulking all around the seam where the stabiliser shroud meets the wall. It is important to have a good seal to prevent water from entering the dwelling (see figure #1.14). A considerable amount of caulking may be necessary for irregular wall surfaces such as lapped siding.
13. Install the end cone and replace the two mounting screws.
14. Support the vent and intake air piping so that a 1/4" to 1/2" downward slope (toward the outside) results for proper drainage out the terminal body.

#### Connection of combustion air piping to the terminal - DV-2000™:

Refer to Part 1, section 5.3, Outdoor Combustion Air – Side-wall Venting, DV-2000™ for a complete description.

## 5) AIR FOR COMBUSTION

**! WARNING**

**Poison carbon monoxide gas hazard.**

**Comply with ANSI/NFPA (in U.S.) or CSA (in Canada) standard for the installation of Oil Burning Equipment and applicable provision of local building codes to provide combustion and ventilation air.**

**Failure to provide adequate combustion and ventilation air can result in personal injury and/or death.**

### 5.1) General:

Oil furnaces must have an adequate supply of combustion air. It is common practice to assume that older homes have sufficient infiltration to accommodate the combustion air requirement for the furnace. However, home improvements such as new windows, doors, and weather stripping have dramatically reduced the volume of air leakage into the home.

Home air exhausters are common. Bathroom and kitchen fans, power vented clothes dryers, and water heaters all tend to create a negative pressure in the home. Should this occur, the chimney become less and less effective and can easily downdraft.

Heat recovery ventilation (HRV) systems are gaining in popularity. The HRVs are not designed to supply combustion air. If not properly balanced, a serious negative pressure condition could develop in the dwelling.

### 5.2) Contaminated Combustion Air :

Installation in certain areas or types of structures will increase the exposure to chemicals or Halogens which may harm the furnace.

These instances will require that only outside air for combustion.

The following areas or types of structures may contain or have exposure to the substances listed below. The installation must be evaluated carefully as it may be necessary to provide outside air for combustion.

- a. Commercial building.
- b. Building with indoor pools.
- c. Furnaces installed near chemical storage areas.

Exposure to these substances:

- a. Permanent wave solutions for hair.
- b. Chlorinated waxes and cleaners.
- c. Chlorine based swimming pool chemicals.
- d. Water softening chemicals.
- e. De-icing salts or chemicals.
- f. Carbon tetrachloride.
- g. Halogen type refrigerants.
- h. Cleaning solvent (such as perchloroethylene).
- i. Printing inks, paint removers, varnishes, etc..
- j. Hydrochloric acid.
- k. Solvent cements and glues.
- l. Antistatic fabric softeners for clothes dryers.
- m. Masonery acid washing materials.

### 5.3) Ducted outdoor combustion air:

Three burners are set up to duct outside combustion air directly to the burner; the Beckett AFII and Riello 40-BF for side-wall venting using the new DV-2000™ venting system, and the Beckett AFG for use with conventional chimney venting. The Riello 40-F is not suitable for direct-connected outdoor air.

**CAUTION**

The use of ducted outside combustion air is mandatory for the DV-2000™ venting system. This system operates on a balanced flue principle and will not function properly if the combustion air piping is not attached and sealed at all connections between the vent terminal and burner inlet.

#### Outdoor combustion air kit – chimney venting:

The following kit has been certified for use on the appliance. The component kits contain an important safety feature, namely a vacuum relief valve, or VRV. During normal operation the burner aspirates outdoor air. If the intake terminal ever becomes partially blocked or fully blocked from ice or snow etc., the VRV will open to allow a proportion of air from the dwelling to enter the burner thus maintaining proper combustion. Once the blockage is removed, the VRV will close and the burner will draw all air from the outdoors again:

**CAS-2B** Components (except air duct) for the Beckett AFG burner. The kit includes the intake terminal, vacuum relief valve (VRV) and special air boot connection with integral air adjustment means for the AFG burner. The CAS-2B can be used with 4" galvanised air duct or with 4" flexible aluminium air duct. It is recommended that the metallic air ducting material should be insulated from the air intake up to 5 feet from the burner to avoid condensation on the outside of the intake pipe.

**CAD-1** Air duct kit consists of 25 feet of insulated UL/ULC Listed Class 1 air duct, and two 4" steel band clamps. The duct incorporates a corrugated flexible aluminium core, surrounded by fibreglass insulation covered with a vinyl vapour barrier.

### CAUTION

The CAS-2B does not turn the furnace installation into a direct vent system. Therefore the building structure must provide for adequate combustion air to be delivered **at the vacuum relief valve**. The burner will need to draw combustion air from the VRV's surroundings if the intake ever becomes blocked. Therefore non-direct vent installation codes must be followed.

Comprehensive installation instructions are provided with the kit.

#### Outdoor combustion air – side-wall venting, DV-2000™:

The new DV-2000™ venting system is a sealed system and completely isolates the furnace from the interior of the building. The burner is totally unaffected by any pressure fluctuations within the building which makes it ideal for tight home constructions.

The DV-2000™ venting system requires additional parts, which are not included with the kit. These additional parts must be constructed of 3" Schedule 40 PVC, PVC-SWV, SDR-26, SDR-21, Septic Sewer Pipe, or ABS plastic pipe, fittings and sealant. Also, installation procedures, piping and fittings must conform to the following ANSI /ASTM standards:

PVC	ASTM D-1785
SDR26, SDR21	ASTM D-2241
Septic Sewer Pipe	ASTM D-2729
PVC-DWW	ASTM D-2665
PVC Primer and Solvent Cement	ASTM D-2564
ABS Pipe and Fittings	ASTM D-2235
Procedure for Cementing Joints	ASTM D-2855

#### Additional parts required (not included in VTK kit):

- 3" elbow fitting as required
- 3" plastic pipe
- 3" 90°elbow, female-female(for terminal)
- 3" female to 2" female reducer (Riello 40-BF burner only)
- 2" 90°elbow, street type, female-male (Riello 40-BF burner only)
- 3" female-female PVC or ABS coupling (not sewer pipe) (Beckett AFII burner only)
- transition bushings to go from PVC or ABS to ASTM D2729 Septic Sewer Pipe (if applicable).

If PVC fittings are mixed with ABS fittings, use a solvent cement that is approved for bonding the two plastics.

#### Intake pipe length - DV-2000™:

The DV-2000™ venting system has been certified for 120 equivalent feet of 3" intake pipe. Count a 90°elbow as 10 equivalent feet and a 45°elbow as 5 equivalent feet in the calculation.

For Example:

1	5' Length	= 5 equivalent feet
2	10' Lengths	= 20 equivalent feet
3	90°elbows	= 30 equivalent feet
2	45°elbows	= 10 equivalent feet
1	90°elbow (terminal)	= 10 equivalent feet
1	90°elbow (Riello Burner)	= 10 equivalent feet
	Total	= 85 equivalent feet,
		which is less than 120 feet, which is acceptable.

#### Intake pipe installation - DV-2000™:

Obtain the necessary additional parts, to complete the installation, and start by piping at the burner. If the optional vestibule has been installed, remove the appropriate knockouts in the side panels of the vestibule. The lower 5" knockout in the right hand panel is used for the Beckett AFII burner. The higher 5" knockouts on the right and left-hand panels are for right or left connection to the Riello 40-BF burner.

#### Beckett AFII burner:

Remove the burner intake cover by removing the 3 screws securing it in place. Discard the cover and screws. Apply silicone liberally around the end of a 3" coupling and fully insert the silicone end onto the burner opening. Fasten securely with 3 self-tapping sheet metal screws.

#### Riello 40-BF burner:

Fully insert the female end of the 2" 90° street elbow into the combustion air fitting on top of the burner. Fasten securely with 3 self-tapping sheet metal screws. Cement the 2" end of the 3" female to 2" female reducer onto the male end of the 2" 90° street elbow. If these parts are not easily obtained, use a 3" 90° street elbow with the male end fitted over the combustion air fitting. The fitting will have to be silicone sealed as the fit is a bit loose. Fasten securely with 3 self-tapping sheet metal screws.

#### Terminal connection:

Insert the 3" 90° female-female elbow onto the stainless steel air intake fitting located on the right side of the vent terminal (viewing from the rear). Fasten securely with 3 self-tapping sheet metal screws.

#### Intermediate piping:

Pipe as required between the terminal and the burner. Ensure that the 3" piping is routed and supported in accordance with local and national codes. Obey minimum furnace clearances to combustibles when routing any sections of 3" piping in the vicinity of the furnace. If Septic Sewer Pipe is to be used, install transition bushings at the 3" female ends of the fittings at the burner and at the terminal. Transition bushings are readily available and are required because 3" PVC and ABS pipes have a typical outside diameter of 3.5", whereas Septic Sewer Pipe has a typical outside diameter of 3.25".

## 6) OIL TANKS AND LINES

Check your local codes for the installation of the tank and accessories.

At the beginning of each heating season or each year, verify the complete oil distribution system for oil leak. ←

A manual shut-off valve and an oil filter shall follow sequence from tank to burner. Be sure that the oil line is clean before connecting to the burner. The oil line should be protected to eliminate any possible damage. Installations having the fuel oil tank below the burner level must employ a two pipe fuel supply system with an appropriate fuel pump (more than 8' lift use 2 stage pump and more than 16' an auxiliary pump).

Follow the pump instructions to determine the size of tubing you need in relation of the lift, or the horizontal distance.

## 7) BURNER INSTALLATION

#### Mounting the burner:

- The warm air furnace burner mounting plate has a four bolts configuration.
- Position the mounting gasket between the mounting flange and the appliance burner mounting plate. Line up the holes in the mounting flange with the studs on the appliance mounting plate and securely bolt in place.

**After the burner is mounted:**

- a. Remove drawer assembly or air tube combination
- b. Install nozzle (see specifications)
- c. Confirm electrode settings
- d. Make the electrical connections
- e. Complete oil line connections

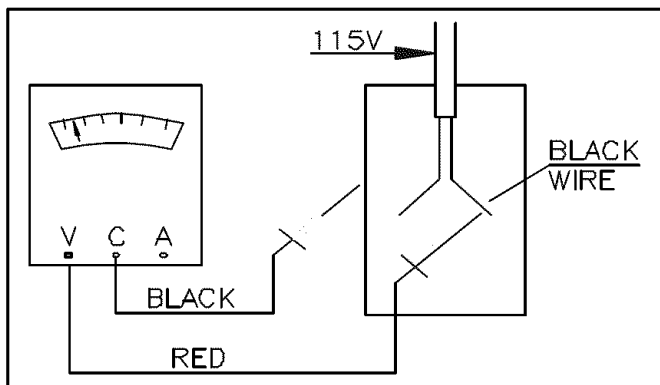
**CAUTION**  
Do not turn on the burner until you have checked the polarity

**Checking the polarity:**

The oil burners used on the furnaces have solid state control systems which makes them sensitive to the proper connections of the hot and neutral power lines. The controls will be damaged if the two lines are reversed.

- a. Set your voltmeter to line voltage.
- b. Place one prong on your grounded electric entry box and one prong on the black wire.
- c. Read the voltage.
- d. If the voltage is zero, check the white wire. If line voltage shows. Reverse the 115-volt leads entering the furnace junction box.

FIGURE #2



**Nozzles:**

The burners are provided with the highest capacity USGPH nozzle installed. If another size nozzle, or replacement nozzle is required, use the nozzle spray angle, type and manufacturer recommended in Table #4.1 to 4.3. Note that all nozzle-marked sizes are based on a pump pressure of 100 psi.

Always select nozzle sizes by working back from the actual desired flow rate at operating pressure, and not by the nozzle marking.

**Air and turbulator settings:**

Before starting the burner for the first time, adjust the air and turbulator settings to those listed in the Table #4.1 to #4.3. Once the burner becomes operational, final adjustment will be necessary.

**Fuel supply system:**

Fuel Specifications

**NOTE** Use No.1 or No.2 Heating Oil (ASTM D396) or in Canada, use No.1 or No.2 Furnace Oil.

Before starting the burner be sure the fuel tank is adequately filled with clean oil.

**IMPORTANT**

When using nozzle sizes of less than .75 USGPH, the Installation Code for oil burning equipment requires the installation of a 10 micron (or less) filter in the fuel oil line. ICP requires that this practice be followed in order to keep the lifetime heat exchanger warranty intact.

**! WARNING**

**Fire and explosion hazard.**

**Use only approved heating type oil in this furnace. DO NOT USE waste oil, used motor oil, gasoline or kerosene.**

**Use of these will result in death, personal injury and/or property damage.**

**NOTE** You may notice a slight odor the first time your furnace is operated. This will soon disappear. It is only the oil used on the parts during manufacturing.

**8) INSTALLING ACCESSORIES**

**! WARNING**

**Electrical shock hazard.**

**Turn OFF electric power at fuse box or service panel before making any electrical connections and ensure a proper ground connection is made before connecting line voltage.**

**Failure to do so could result in property damage, bodily injury or death.**

**8.1) Electronic air cleaner:**

Wire leads are provided to direct 115 volts @ 0.5 Amp maximum to an electronic air cleaner (EAC). Power will be available to the EAC at all times, so it must incorporate a flow proving switch if it is to be wired into the furnace control box. Most modern EACs have the required integral airflow -proving switch. Wire the electronic air cleaner as indicated in figure #6.

### 8.2) Humidifier:

Terminals are provided to direct 115 volts @ 1.0 Amp maximum to the transformer powering the humidifier. The humidifier will be energised anytime the blower is operating on the "Heating Speed". Wire the 115-volt power as indicated in figure #6.

### 8.3) Air conditioning:

An air conditioning coil may be installed on the supply air side only. Also, notwithstanding the evaporator coil manufacturer's instructions, a minimum of 6 inches clearance must be allowed between the bottom of the coil drain pan, and the top of the heat exchanger. Wire the thermostat and condensing unit contactor as indicated in figure #6.

### 8.4) Ductwork and Filter:

#### Installation:

Design and install air distribution system to comply with Air Conditioning Contractors of America manuals or other approved methods that conform to local codes and good trade practices.

When furnace supply ducts carry air outside furnace area, seal return air duct to furnace casing and terminate duct outside furnace space.

Install air conditioning cooling coil (evaporator) on downstream side (in the supply air plenum) or furnace.

If separate evaporator and blower unit is used, install good sealing dampers for air flow control. Cold air from the evaporator coil going through the furnace could cause condensation and shorten furnace life.

**CAUTION**  
Dampers (purchased locally) **MUST** be automatic.

**! WARNING**

**Poison carbon monoxide gas hazard.**

**Do NOT draw return air from inside a closet or utility room. Return air duct MUST be sealed to furnace casing.**

**Failure to properly seal duct can result in death, personal injury and/or property damage.**

**! WARNING**

**Poison carbon monoxide gas hazard.**

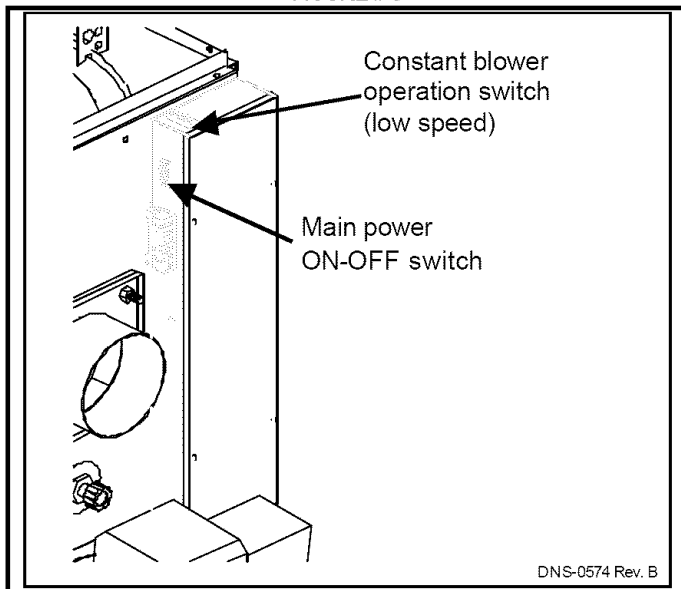
**Install evaporator coil on the supply side of the furnace ducting.**

**Evaporator coil installed in return side ducting can cause condensation to form inside heat exchanger resulting in heat exchanger failure. This could result in death, personal injury and/or property damage.**

## PART 2 OPERATION

### 1) MANUAL OPERATION SWITCHES

FIGURE # 3



### 2) SEQUENCE OF OPERATION

#### 2.1) Sequence of operation - Beckett AFII, Side-wall venting:

1. For the Beckett AFII burner, the T-T terminal have to be jumped on the primary control of the burner.
2. Normally open contact (W-R) on SPDT relay closed when thermostat calls for heat.
3. Burner motor starts and spark is established. The burner motor fan pre-purges the combustion chamber and vent for 15 or 20 seconds, establishing the combustion air pattern.
4. After prepurge period, solenoid valve opens allowing oil to flow through nozzle.
5. The ignition transformer spark ignites oil spray.
6. Cad cell senses flame and burner continues to fire.
7. After fan-limit control heats up to the factory set point, the circulating air blower starts.

8. The circulating air blower, burner motor and ignition transformer remains on until the thermostat is satisfied. Also, the solenoid valve remains open.
9. Thermostat is satisfied.
10. SPDT relay contacts open, solenoid valve closes, burner fan motor post-purges the combustion chamber and vent for a pre-set time (30 sec. to 4 min.). The ignition transformer also continues to spark for this time period.
11. During the post-purge cycle, the fan-limit control cools down to the factory set point of 90 degrees Fahrenheit, and the circulating air blower turns off.

**2.2) Sequence of operation - Riello 40-BF, Side-wall Venting:**

1. Normally open contact (W-R) on SPDT relay closed when thermostat calls for heat.
2. Burner motor starts. The burner motor fan pre-purges the combustion chamber and vents for 10 seconds, establishing the combustion air pattern. During this time the solenoid valve holding coil pressure will be approximately 100 psig.
3. After prepurge period, solenoid valve opens, allowing oil to flow through nozzle. At the same time, the burner motor's ignition coil produces spark.
4. The ignition transformer spark ignites oil spray.
5. Cad cell senses flame and burner continues to fire. Ignition transformer ceases sparking.
6. After fan-limit control heats up to the factory set point, the circulating air blower starts.
7. The circulating air blower and burner motor remain on until the thermostat is satisfied. Also, the solenoid valve remains open.
8. Thermostat is satisfied.
9. Relay contacts open, solenoid valve closes, and then the burner fan motor post-purges the combustion chamber and vent for a pre-set time (5" breech model only) (0 min. to 6 min.).
10. During the post-purge cycle, the fan-limit control BI-metal cools down to the factory set point of 90 degrees Fahrenheit, and the circulating air blower turns off.

**NOTE:** With burner relay contact open, the Riello 40-BF will post-purge when 115 volt power is applied to the burner.

**2.3) Sequence of operation - Beckett AFG and Riello 40-F, chimney:**

1. For the AFG burner, the T-T terminal have to be jumped on the primary control of the burner.
2. Normally open contact (W-R) on SPDT relay closed when thermostat calls for heat.
3. AFG Burner: The motor starts and spark is established. The pump pressure builds and the poppet valve opens admitting fuel to the nozzle. Pressure builds and poppet valve opens, allowing oil to flow through nozzle.

40F: Burner motor starts. The burner motor fan pre-purges the combustion chamber and vent for 10 seconds, establishing the combustion air pattern. During this time the solenoid valve

holding coil pressure will be approximately 100 psig. Solenoid valve opens, allowing oil to flow through nozzle. At the same time, the burner motor's ignition coil produces spark.

4. Spark ignites oil droplets.
5. Cad cell senses flame and burner continues to fire. Ignition transformer ceases sparking (Riello R40-F).
6. After fan-limit control heats up to the factory set point, the circulating air blower starts.
7. The circulating air blower and burner motor remain on until the thermostat is satisfied (AFG). The ignition transformer continues to spark (AFG). The solenoid valve remains open (R40-F).
8. Thermostat is satisfied.
9. SPDT relay contacts open, solenoid valve closes (R40-F), burner fan motor shuts down. The ignition transformer ceases sparking (AFG).
10. The fan-limit control BI-metal cools down to the factory set point of 90 degrees Fahrenheit, and the circulating air blower turns off.

**2.4) Sequence of operation - DV-2000™ Venting system:**

**Normal operation:**

1. Before a call for heat the contacts of the pressure switch are closed.
2. When the room thermostat calls for heat the normally open contact W-R close and the burner blower starts and creates suction in the intake piping circuit and a pressure in the vent piping circuit.
3. The differential pressure setpoint of the pressure switch is not exceeded and the thermostat circuit remains closed until the call for heat has ended.

**Abnormal operation:**

**Start-up:**

1. When the room thermostat calls for heat the normally open contact W-R close and the burner blower starts and creates suction in the intake piping circuit and a pressure in the vent piping circuit.
2. If there is a blockage in the intake or vent openings to cause a pressure differential beyond the set point of the pressure switch, then the thermostat circuit is opened and the burner will go into a 2 minute post-purge and then shut down.
3. After the post-purge, once the burner blower shuts down, the pressure switch contacts will re-close. If the call for heat remains, the burner will re-start. If the blockage still exists, the thermostat is again opened, and the burner post-purges again. The post-purge function thus becomes an inherent anti-short cycling device.
4. The unit will essentially go into a continuous re-cycling post-purge mode with no heat being supplied to the dwelling, which will prompt a call for service to the equipment.
5. During the re-cycling post-purges, if the blockage of the terminal is removed, the burner will immediately fire up at the end of the current post purge cycle.

### **During operation:**

If the terminal vent or intake openings become blocked to the point where the set point of the pressure switch is exceeded, during a firing cycle, the burner flame will shut down and the burner will go into the indefinite recycling post-purge mode as described above, until the blockage is removed.

## **3) CHECKS AND ADJUSTMENTS**

### **3.1) General:**

During initial start-up and subsequent yearly maintenance calls, the furnace must be thoroughly tested.

Open the oil bleed port screw and start the burner. Allow the oil to flush into a portable container for at least 10 seconds. Slowly close the bleed screw - the oil should flow absolutely free of white streaks or bubbles to indicate that no air is being drawn into the suction side of the oil piping and pump. Tighten the bleed screw and the burner will fire. Adjust the oil pressure as indicated in Table #4.1 to #4.3.

#### **IMPORTANT**

The burner must be put in operation for at least 10 minutes before any test readings are taken. For new installations, set up the burner to the settings (see table #4.1 to 4.3), before firing. These are rough adjustments but they will ensure that the burner will start and run smoke-free in advance of the fine adjustments being made.

### **3.2) Restart if Burner Should Stop:**

1. Set thermostat lower than the room temperature.
2. Press the reset button on the burner primary control (relay).
3. With side-wall venting and Riello burner, set thermostat higher than the room temperature for 10 seconds and set lower than room temperature. This will start pre purge cycle. Repeat twice.
4. Set thermostat higher than the room temperature.
5. If the burner motor does not start or ignition fails, turn off the disconnect switch and CALL YOUR SERVICEMAN

#### **CAUTION**

Do not attempt to start the burner when excess oil has accumulated, when the furnace is full of vapour, or when the combustion chamber is very hot.

### **3.3) Combustion chamber curing:**

Some moisture and binders remain in the ceramic combustion chambers after fabrication. It is important to clear the chamber of these residues before testing. If you smoke test before curing, the instrument may become damaged. To cure the chamber, run the unit for 3 consecutive cycles, with 3 minutes of elapsed time in between each cycle. Each burn cycle should be 3 minutes duration. The exhaust will have a pungent odor and produce a white cloud of steam.

### **3.4) Perform the smoke / CO<sub>2</sub> test:**

1. For chimney installations, pierce a test hole in the smoke pipe near the furnace breech. For side-wall vented installations, remove the threaded cap from the extended test pipe that is welded into 4-bolt breech plate. Insert the smoke test instrument probe into the open hole.
2. Starting with a zero smoke reading, gradually reduce the burner air setting until just a trace (#1 on Bacharach Scale) of smoke results.
3. Take a CO<sub>2</sub> sample at the same test location where the smoke sample was taken. Note the CO<sub>2</sub> reading associated with the #1 smoke condition.
4. For chimney vented installations, adjust the burner air setting to obtain a CO<sub>2</sub> reading 1% lower than the reading associated with the #1 smoke.
5. For side-wall vented installations, adjust the burner air setting to obtain a CO<sub>2</sub> reading 1.5% lower than the reading associated with the #1 smoke.
6. This method of adjusting the CO<sub>2</sub> will allow adequate excess air to ensure that the burner will burn clean for the entire heating season, and will ensure proper calibration of the DV-2000™ blocked intake/ vent safety shutdown system used in side-wall venting applications.

### **3.5) Perform the supply air temperature rise test:**

1. Operate the burner for at least 10 minutes.
2. Measure the temperature of the air in the return air plenum.
3. Measure the temperature of the air in the largest trunk coming off the supply air plenum, just "out of the line of sight" of the radiation coming off the heat exchanger; 12" away from the plenum on the main take-off usually satisfies this objective.
4. The temperature rise is calculated by subtracting the return air temperature from the supply air temperature.
5. If the temperature rise exceeds the temperature specified in table #4.1 to #4.3, change to the next higher blower speed tap until the temperature rise falls to at this temperature or below. If the excessive temperature rise cannot be reduced by increasing fan speed, investigate for ductwork restriction(s), dirty or improper air filter, or overfiring caused by excessive pump pressure, or improper nozzle sizing.

### **3.6) Vent temperature test:**

1. Place a thermometer in the test hole located in the breech pipe.
2. The vent temperature should be between 400 and 575°F. If not, check for improper air temperature rise, pump pressure, nozzle size, or for a badly sooted heat exchanger.



### 3.7) Fan limit adjustment:

→ FIGURE # 4

DNS-0355 Rev.B

1	Limit "FAN OFF"	90°F
2	Limit "FAN ON"	
	Model : OLB6-R & OLR160	110°F
	Model : OHB5-F, OLB5-F, OLB5-R, OHB6-F, OUF105, OLF105, OLR105, OUF160, NOUF105, NOLF105 & NOUF160	130°F
3	Limit "HI"	
	Model : OLB6-R & OLR160	170°F
	Model : OHB5-F, OLB5-R, OLB5-F, OUF105, OLF105, OLR105, NOUF105 & NOLF105	180°F
	Model : OHB6-F, OUF160 & NOUF160	220°F

### 3.8) DV-2000™ Blocked intake / blocked vent test:

For side-wall venting the furnace the DV-2000™ venting system incorporates a safety shutdown system that will shut the burner down before a #1 smoke occurs due to the presence of a blocked intake or blocked vent outlet. Test the system as follows:

1. Ensure that the furnace has been running for at least 10 minutes.
2. Gradually block the intake. The burner flame should shut down before a #1 smoke reading occurs.
3. Gradually block the vent outlet. The burner flame should shut down before a #1 smoke reading occurs.
4. If the burner does not shut down before a #1 smoke occurs, ensure that the burner is set up according to Part 2, section 3.4. Perform the CO<sub>2</sub>/ Smoke Test, and allow the 1.5% CO<sub>2</sub> operating headroom required by the instructions.
5. If the burner still does not shut down before a #1 smoke occurs, check for blockage of the pressure hose, or at the hose connection points.

#### IMPORTANT

The DV-2000™ safety shutdown system will act to shut down the burner flame during a blocked intake or blocked vent condition if and only if the burner has been set up and calibrated in accordance with tables #4.1, # 4.2 or # 4.3. Perform the CO<sub>2</sub>/ Smoke Test. For instance, if the burner is adjusted and final-set to a #1 smoke condition during normal operation, the burner flame can't possibly shut down before a #1 smoke occurs during a blockage condition.

## PART 3 MAINTENANCE

### 1) GENERAL

#### Preventive Maintenance:

"Preventive maintenance" is the best way to avoid unnecessary expense and inconvenience. Have your heating system and burner inspected at regular intervals by a qualified service man.

#### **WARNING**

**Electrical shock hazard.**

**Turn OFF power to furnace before any disassembly or servicing.**

**Failure to do so can result in property damage, bodily injury and/or death.**

After inspection, a complete combustion test must be performed after each annual service of the unit to maintain optimum performance and reliability.

**Do not tamper with the unit or controls. Call your service technician.**

**Before calling for service, check the following.**

- a. Check oil tank gauge and check if the oil tank valve in oil is open.
- b. Check fuse or circuit breaker.
- c. Check if shut-off switch is "ON".
- d. Reset thermostat above room temperature.
- e. If ignition does not occur turn off the disconnect switch and call your qualified service technician.

**When ordering replacement parts, specify the complete furnace model number and serial number.**

## 1.1) Heat exchanger:

The entire heat exchanger should be inspected annually for soot accumulation. If the burner is operating normally there should be very little soot accumulation. If the heat exchanger requires scale removal, use a wire brush first to loosen the scale and then vacuum the soot and scale that has fallen into the secondary heat exchanger (radiator) section. You will find that a 36" long flexible hose attachment will be helpful to reach into the back of the radiator; a piece of 1/2" flexible gas connector, or a piece of 1/2" liquid-tight vinyl jacket metallic electrical conduit works well as a makeshift device.

### Cleaning the heat exchanger:

Remove the 4-bolt flange from the front of the furnace to reveal the clean-out port and check for soot deposits. If there is very little soot in the radiator section visible from the clean-out port, you will not need to clean it. However, if you notice scaling in the radiator, you should remove the scale.

The wrap-around radiator can now be cleaned entirely from the front inspection port. Also the new furnace has external clean-out ports so the soot does not fall into the fan compartment during the cleaning operation.

### IMPORTANT

Do not vacuum the ceramic chambers—they are easily damaged.

Soot will have collected in the first sections of the heat exchangers only if the burner was started after the combustion chamber was flooded with fuel oil, or if the burner has been operating in a severely fouled condition.

## 1.2) Refractory fire pot:

Remove the burner and check the fire pot.

### IMPORTANT

Use extreme care if cleaning of the pot is required. After firing, the pot becomes very fragile. Do not use any commercially available soot remover. This furnace has a fiber type refractory combustion chamber. Normal servicing of this unit does not require cleaning of the combustion chamber.

If the pot is damaged, it must be replaced. A damaged pot could lead to premature heat exchanger failure. Cracking of the fire pot is normal, however, replace the pot if the cracks have propagated more than 2/3 the way through the wall thickness. The average wall thickness of the firepot is 3/4".

### Flooding of the fire pot:

Flooding can occur when the oil primary control has been reset a number of times in a no-heat situation. Each time oil is fired into the pot and does not ignite, it is absorbed in the pot. Even if the burner is removed and the pot is felt for wetness, it is difficult to assess the degree of oil absorption by the pot.

There is only one way to properly service a flooded fire pot, and that is to change it.

### CAUTION

If you observe the red warning light on the burner, push once **ONLY** to try and restart. If the burner will not start, phone your authorised service agent. Do not press the button again.

### Self-aligning firepot:

The appliance primary heat exchanger is comprised of an upper and lower half. The lower half is essentially a "can" that houses a self-aligning firepot. The firepot will fit into the bottom half in one orientation only.

### Removing the firepot:

The firepot is seldom replaced, but when it must be replaced one must simply :

1. Remove the burner.
2. Remove the burner limit control.
3. Remove the breech plate.
4. Remove the front panel.
5. Remove the brass nuts on the stainless steel heat exchanger studs.
6. Pry the bottom heat exchanger halves apart using the designated prying tabs.
7. Remove the bottom heat exchanger half from the furnace cavity through the front of the furnace.
8. Pull the firepot up and out of the bottom heat exchanger half.
9. Pull the old sealing gasket down off the flange of the upper heat exchanger half.
10. Scrape off any residual gasket material off the heat exchanger mating flanges.

### Replacing the firepot:

1. Align the slot in the front face of the firepot with the burner tube sleeve and gently lower the firepot into the bottom heat exchanger half.
2. Holding the firepot near the perimeter, gently push the firepot all the way into the bottom heat exchanger half until it seats.
3. Completely wet the gasket with water using a spray pump bottle, position the tabs over the studs, and push the gasket upward against the sealing flange of the upper heat exchanger half.
4. Install the brass nuts on the studs by engaging only 2 or 3 threads.
5. Position the bottom heat exchanger half underneath the upper heat exchanger half and rotate the bottom half so that the slots in the bolting tabs engage the stainless steel studs. There is no further need to hold onto the bottom half as it will now be suspended on the stud nuts.
6. Push upward on the can and thread the nuts finger-tight as far as possible.
7. Intermittently tighten the stud nuts with a wrench in a sequence that will pull the heat exchanger halves together evenly. Tighten all nuts to 90 inch-lbs Torque once and then alternately re-tighten all nuts again to 100 inch-lbs **THE RE-TIGHTENING SEQUENCE IS ABSOLUTELY NECESSARY TO ENSURE A TIGHT JOINT.**

- 8. Re-assemble the front panel, breech plate, limit control and burner in opposite sequence to their removal.
- 9. Follow the instructions for starting the burner for the first time to cure the firepot and perform combustion checks.

**1.3) Drawer assembly:**

Remove the drawer assembly. Clean all foreign matter from the retention head and electrodes. If a Beckett AFG burner has been installed, the burner will have to be removed to check the retention head and to check for proper "Z" dimension with the Beckett "T" gauge supplied with every burner. Check for any sign of oil boiling out of the nozzle and caulking - the solenoid valve could be leaking (if applicable).

**1.4) Nozzle:**

Replace the nozzle with the one specified in table #4.1 to #4.3.

**1.5) Oil filter:**

**Tank filter:**

The tank filter should be replaced as required.

**Secondary filter:**

The 10 micron (or less) filter cartridges should be replaced annually.

**1.6) Air filters:**

Air filters are the disposable types. The disposable filters should be replaced on at least an annual basis. Dusty conditions, presence of animal hair etc. may demand much more frequent filter changes. Dirty filters will impact furnace efficiency and increase oil consumption.

**1.7) Motor lubrication:**

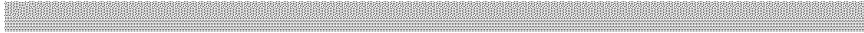
Do not lubricate the oil burner motor or the direct drive blower motor as they are permanently lubricated.

**1.8) CAS-2B combustion air kit (chimney venting):**

If used, check the CAS-2B combustion air kit for proper operation. Check to see that the inlet screen is not plugged. Block the air inlet completely and ensure that a zero smoke reading results. If a zero smoke reading is not obtained, set up the burner as indicated in table # 4.1, # 4.2 or # 4.3.

Gradually block off the intake. The CO<sub>2</sub> should increase by a maximum of 0.5 percentage points at the fully blocked condition. If not, check that the VRV gate is pivoting freely and that the pivot rod is in a horizontal position. Also, check that the counterweight has been properly adjusted in accordance with the CAS-2B installation instructions.

**PART 4  
INFORMATION**



Model : \_\_\_\_\_ Serial number: \_\_\_\_\_

Date of installation of the furnace : \_\_\_\_\_

Service telephones - day : \_\_\_\_\_ Night : \_\_\_\_\_

Dealer's name and address : \_\_\_\_\_

**RESULT OF START-UP TEST**

Nozzle: \_\_\_\_\_ Pressure : \_\_\_\_\_ lbspsi

Burner adjustments :	Primary air	_____
	Fine air	_____
	Draw Assembly	_____

CO<sub>2</sub> : \_\_\_\_\_ %                      Smoke scale : \_\_\_\_\_ (Bacharach)

Gross stack temperature: \_\_\_\_\_ ° F

Ambiant temperature: \_\_\_\_\_ ° F

Chimney draft: \_\_\_\_\_ " C.E.

Overfire draft : \_\_\_\_\_ " C.E.

Test made by : \_\_\_\_\_

**TABLE # 4.1**  
**Technical specifications**

Model : OLB & OLR	OLB5-R & OLR105A12B				OLB6-R & OLR160B20B		
<b>RATING AND PERFORMANCE</b>							
Firing rate	.50	.63	.75	.72	0.85	0.97	1.14
Pump pressure (PSIG)	100	156	156	145	130	130	130
Input (BTU/h)	70,000	88,200	105,000	100,800	119,000	135,800	159,600
Heating capacity, chimney installation (BTU/h)	59,200	73,000	87,800	<del>84,200</del>	99,000	111,000	129,000
Heating capacity, side-wall installation (BTU/h)	59,400	73,200	88,200	84,200	97,000	110,000	127,000
Minimum - maximum temperature rise	52 - 75 Degr. F				50 - 80 Degr.F		
Stack draft, (Chimney), (Side-wall)	(-0,035 to -0,06) (+0,04 to +0,16)				(-0.035 to -0.06) (+0.04 to +0.22)		
Overfire pressure (chimney), (Side-wall)	(0,00 to +0,035) (+0,10 to +0,25)				(-0.00 to +0.04) (+0.10 to +0.25)		
<b>BECKETT BURNER, CHIMNEY INSTALLATION</b>		<b>AFG-F0 (tube insersion 5 1/8")</b>				<b>AFG-F3 (tube insersion 6 5/8")</b>	
Low firing rate baffle	Yes	Yes	No	<del>Yes</del>	No	No	No
Static disc, model	2 3/4 #3383	2 3/4 #3383	2 3/4 #3383	<del>2 3/4 #3383</del>	2 3/4 #3383	2 3/4 #3383	2 3/4 #3383
Nozzle (Delavan)	0.50 - 70A	0.50 - 70A	0.60 - 70B	<del>0.60 - 70B</del>	0.75 - 70B	0.85 - 70B	1.00 - 70B
Combustion air adjustment (shutter / band)	4.5 / 0	8 / 0	7.5 / 0	<del>7.5 / 0</del>	5 / 0	6.5 / 0	10 / 0
<b>RIELLO BURNER, CHIMNEY INSTALLATION</b>		<b>40-F3 (tube insersion 5 3/16")</b>				<b>40-F5 (tube insersion 6 5/8")</b>	
Nozzle (Delavan)	<del>0.50 - 60A</del>	0.50 - 60A	0.60 - 60A	<del>0.60 - 60A</del>	0.75 - 70B	0.85 - 70B	1.00 - 70B
Combustion air adjustment (turbulator / damper)	<del>0 / 3</del>	0 / 3	0 / 4	<del>0 / 4</del>	1 / 2	1 / 2.5	1 / 3
<b>BECKETT BURNER, SIDE-WALL INSTALLATION</b>		<b>AFII-85 (tube insersion 4 15/16")</b>				<b>AFII-150 (tube insersion 6 5/8")</b>	
Nozzle (Delavan)	0.50 - 60W	0.50 - 60W	0.60 - 60W	<del>0.60 - 60W</del>	0.75 - 70B	0.85 - 70B	1.00 - 70B
Combustion air adjustment (screw / dial) or (dial only)	3 / 1.5	3 / 3	3 / 4.5	<del>3 / 4.5</del>	2.75	4.25	6.75
<b>RIELLO BURNER, SIDE-WALL INSTALLATION</b>		<b>40-BF3 (K7R)(tube insersion 5 3/16")</b>				<b>40-BF5 (tube insersion 6 5/8")</b>	
Nozzle (Delavan)	<del>0.50 - 60W</del>	0.50 - 60W	<del>0.60 - 60W</del>	0.60 - 60W	0.75 - 70B	0.85 - 70B	1.00 - 70B
Combustion air adjustment (turbulator / damper)	<del>0 / 6</del>	0 / 6	<del>0 / 7.5</del>	0 / 7.5	1 / 3	1 / 4	2 / 4.5
<b>ELECTRICAL SYSTEM</b>							
Volts - Hertz - Phase	115-60-1				115-60-1		
Operating voltage range	104 - 132				104 - 132		
Rated voltage Amp	12,2				15.7		
Minimum ampacity for wiring sizing	13.7				18.1		
Max. fuse size (Amps)	15				20		
Control transformer	40 Va				40 Va		
Ext. control power available, cooling and accessories	30 Va				30Va		
<b>BLOWER DATA</b>							
Blower speed at 0.5" W.C. static pressure	MED-LO	MED-HI	HIGH	HIGH	MED-LO	MED-HI	HIGH
Blower speed at 0.25" W.C. static pressure	LOW	MED-HI	MED-HI	MED-HI	MED-LO	MED-HI	MED-HI
Maximum cooling, speed	LOW	MED-LO	MED-HI	HIGH	MED-LO	MED-HI	HIGH
Maximum cooling, tons @ 0.5" W.C.	1.5	2	2.5	3	3.5	4	5
Motor (HP) / number of speeds	1/3 HP / 4 speeds				3/4 HP / 4 speeds		
Blower wheel size (in.)	10 X 10				12 X 10		
Filter quantity and size	(1) 20 X 20				(2) 16 X 24		

**TABLE # 5.1**  
**Air delivery - CFM with air filter**

SPEED	OLB5-R & OLR105A12B		OLB6-R & OLR160B20B	
	EXTERNAL STATIC PRESSURE WITH AIR FILTER		EXTERNAL STATIC PRESSURE WITH AIR FILTER	
	0.25	0.5	0.25	0.5
LOW	850	700	1100	1020
MED-LO	940	750	1360	1350
MED-HI	1090	1000	1625	1540
HIGH	1390	1300	2100	1850

**TABLE # 4.2**  
**Technical specifications**

Model : OHB, OUF & NOUF	OHB5-F, OUF105 & NOUF105				OHB6-F, OUF160 & NOUF160		
<b>RATING AND PERFORMANCE</b>							
Firing rate	.50	.63	.75	.72	.85	.97	1.14
Pump pressure (PSIG)	100	156	156	145	130	130	130
Input (BTU/h)	70,000	88,200	105,000	100,800	119,000	135,800	159,600
Heating capacity, chimney installation (BTU/h)	58,900	73,500	86,100	<del>83,900</del>	97,000	110,000	127,000
Heating capacity, side-wall installation (BTU/h)	59,800	74,600	87,800	83,900	97,000	110,000	127,000
Minimum - maximum temperature rise	52 - 75 Degr. F				50 - 80 Degr. F		
Stack draft, (Chimney), (Side-wall)	(-0,035 to -0,06) (+0,04 to +0,16)				(-0,035 to -0,6) (+0,04 to +0,18)		
Overfire pressure (chimney), (Side-wall)	(0,00 to +0,035) (+0,10 to +0,25)				(0,00 to +0,04) (+0,10 to +0,25)		
<b>BECKETT BURNER, CHIMNEY INSTALLATION</b>		<b>AFG-F0 (tube insersion 5 1/8")</b>				<b>AFG-F3 (tube insersion 6 5/8")</b>	
Low firing rate baffle	Yes	Yes	No	<del>Yes</del>	No	No	No
Static disc, model	2 3/4 #3383	2 3/4 #3383	2 3/4 #3383	<del>2 3/4 #3383</del>	2 3/4 #3383	2 3/4 #3383	2 3/4 #3383
Nozzle (Delavan)	0.50 - 70A	0.50 - 70A	0.60 - 70B	<del>0.60 - 70B</del>	0.75 - 70B	0.85 - 70B	1.00 - 70B
Combustion air adjustment (shutter / band)	4.5 / 0	8 / 0	7.5 / 0	<del>7.5 / 0</del>	5 / 0	6.5 / 0	10 / 0
<b>RIELLO BURNER, CHIMNEY INSTALLATION</b>		<b>40-F3 (tube insersion 5 3/16")</b>				<b>40-F5 (tube insersion 6 5/8")</b>	
Nozzle (Delavan)	<del>0.50 - 60A</del>	0.50 - 60A	0.60 - 60A	<del>0.60 - 60A</del>	0.75 - 70B	0.85 - 70B	1.00 - 70B
Combustion air adjustment (turbulator / damper)	<del>0 / 3</del>	0 / 3	0 / 4	<del>0 / 4</del>	0 / 2.5	0 / 2.8	0 / 3.9
<b>BECKETT BURNER, SIDE-WALL INSTALLATION</b>		<b>AFII-85 (tube insersion 4 15/16")</b>				<b>AFII-150 (tube insersion 6 5/8")</b>	
Nozzle (Delavan)	0.50 - 60W	0.50 - 60W	0.60 - 60W	<del>0.60 - 60W</del>	0.75 - 70B	0.85 - 70B	1.00 - 70B
Combustion air adjustment (screw / dial) or (dial only)	3 / 1.5	3 / 3	3 / 4.5	<del>3 / 4.5</del>	2,75	4,25	6,0
<b>RIELLO BURNER, SIDE-WALL INSTALLATION</b>		<b>40-BF3 (K7R) (tube insersion 5 3/16")</b>				<b>40 - BF5 (tube insersion 6 5/8")</b>	
Nozzle (Delavan)	<del>0.50 - 60W</del>	0.50 - 60W	<del>0.60 - 60W</del>	0.60 - 60W	0,75 - 70B	0,85 - 70B	1,00 - 70B
Combustion air adjustment (turbulator / damper)	<del>0 / 6</del>	0 / 6	<del>0 / 7.5</del>	0 / 7.5	0 / 3,75	0 / 4	0 / 4,875
<b>ELECTRICAL SYSTEM</b>							
Volts - Hertz - Phase	115-60-1				115-60-1		
Operating voltage range	104 - 132				104 - 132		
Rated voltage Amp	15.4				16.9		
Minimum ampacity for wiring sizing	17.7				19.5		
Max. fuse size (Amps)	20				20		
Control transformer	40 Va				40 Va		
Ext. control power available, cooling and accessories	30 Va				30 Va		
<b>BLOWER DATA</b>							
Blower speed at 0.5" W.C. static pressure	LOW	LOW	MED-HI	MED-HI	MED-LO	MED-HI	HIGH
Blower speed at 0.25" W.C. static pressure	LOW	LOW	MED-LO	MED-LO	MED-LO	MED-LO	MED-HI
Maximum cooling, speed	LOW	MED-LO	MED-HI	HIGH	MED-LO	MED-HI	HIGH
Maximum cooling, tons @ 5" W.C.	2	2.5	2.5	3	3.5	4	5
Motor (HP) / number of speeds	1/2 HP / 4 speeds				0.85 HP / 4 speeds		
Blower wheel size (in.)	10 X 10				12 X 10		
Filter quantity and size	(1) 20 X 20				(1) 24 X 24		

**TABLE #5.2**  
**Air delivery - CFM with air filter**

	OHB5-F, OUF105 & NOUF105		OHB6-F, OUF160 & NOUF160	
	EXTERNAL STATIC PRESSURE WITH AIR FILTER		EXTERNAL STATIC PRESSURE WITH AIR FILTER	
SPEED	0.25	0.5	0.25	0.5
LOW	960	920	1080	990
MED-LO	1100	1000	1350	1310
MED-HI	1300	1150	1605	1510

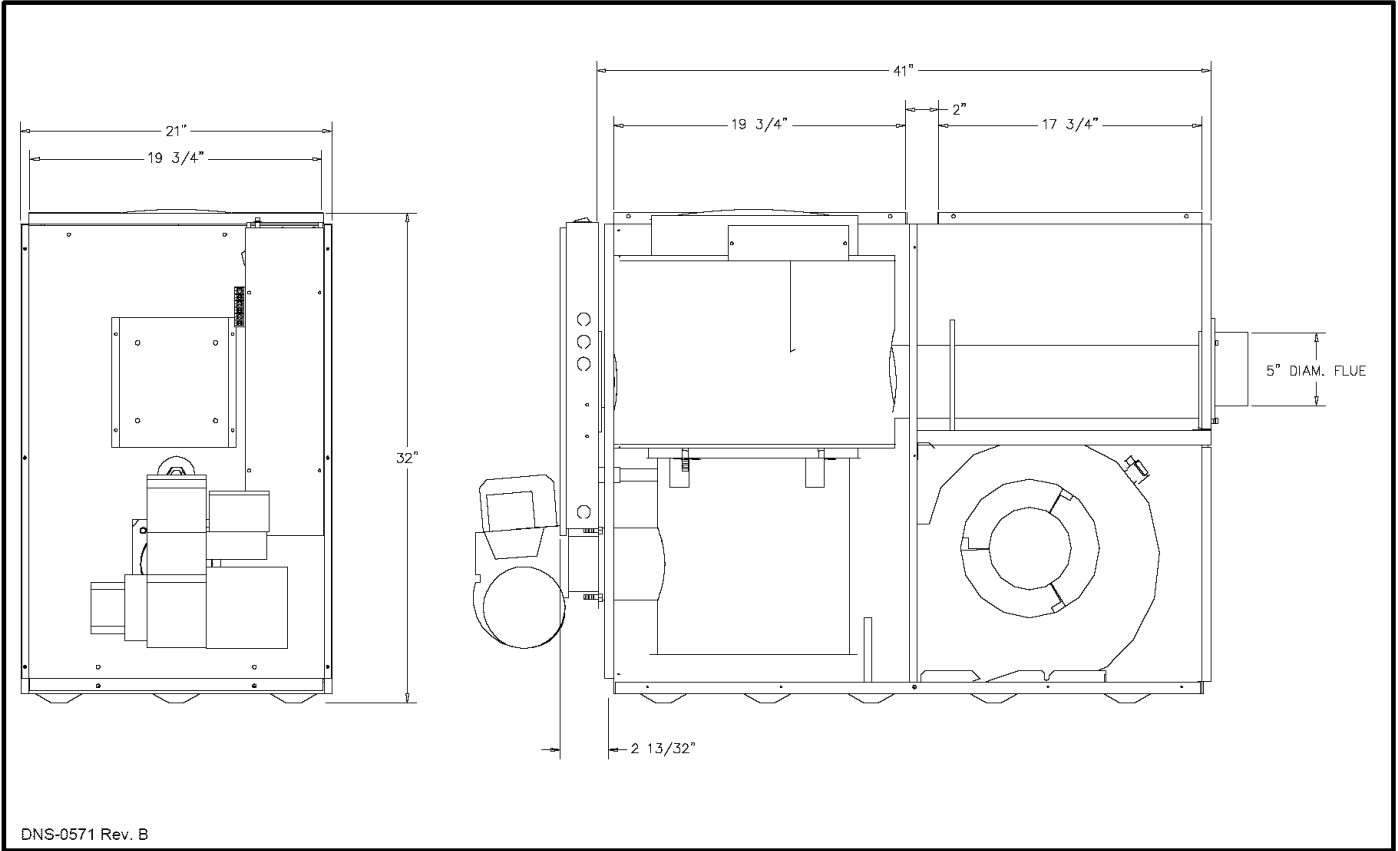
**TABLE # 4.3**  
**Technical specifications**

Model : OLB, OLF & NOLF	OLB5-F, OLF105 & NOLF105			
<b>RATING AND PERFORMANCE</b>				
Firing rate	.50	.63	.75	.72
Pump pressure (PSIG)	100	156	156	145
Input (BTU/h)	70,000	88,200	105,000	100,800
Heating capacity, chimney installation (BTU/h)	59,200	73,000	87,800	X
Heating capacity, side-wall installation (BTU/h)	59,400	73,200	88,200	84,200
Minimum - maximum temperature rise	52 - 75 Degr. F			
Stack draft, (Chimney), (Side-wall)	(-0,035 to -0,06) (+0,04 to +0,16)			
Overfire pressure (chimney), (Side-wall)	(0,00 to +0,035) (+0,10 to +0,25)			
<b>BECKETT BURNER, CHIMNEY INSTALLATION</b>				
<b>AFG-F0 (tube insertion 5 1/8")</b>				
Low firing rate baffle	Yes	Yes	No	X
Static disc, model	2 3/4 #3383	2 3/4 #3383	2 3/4 #3383	X
Nozzle (Delavan)	0.50 - 70A	0.50 - 70A	0.60 - 70B	X
Combustion air adjustment (shutter / band)	4.5 / 0	8 / 0	7.5 / 0	X
<b>RIELLO BURNER, CHIMNEY INSTALLATION</b>				
<b>40-F3 (tube insertion 5 3/16")</b>				
Nozzle (Delavan)	X	0.50 - 60A	0.60 - 60A	X
Combustion air adjustment (turbulator / damper)	X	0 / 3	0 / 4	X
<b>BECKETT BURNER, SIDE-WALL INSTALLATION</b>				
<b>AFII-85 (tube insertion 4 15/16")</b>				
Nozzle (Delavan)	0.50 - 60W	0.50 - 60W	0.60 - 60W	X
Combustion air adjustment (screw / dial)	3 / 1.5	3 / 3	3 / 4.5	X
<b>RIELLO BURNER, SIDE-WALL INSTALLATION</b>				
<b>40-BF3 (K7R) (tube insertion 5 3/16")</b>				
Nozzle (Delavan)	X	0.50 - 60W	X	0.60 - 60W
Combustion air adjustment (turbulator / damper)	X	0 / 6	X	0 / 7.5
<b>ELECTRICAL SYSTEM</b>				
Volts - Hertz - Phase	115-60-1			
Operating voltage range	104 - 132			
Rated voltage Amp	12,2			
Minimum ampacity for wiring sizing	13.7			
Max. fuse size (Amps)	15			
Control transformer	40 Va			
Ext. control power available, cooling and accessories	30 Va			
<b>BLOWER DATA</b>				
Blower speed at 0.5" W.C. static pressure	LOW	MED-HI	HIGH	HIGH
Blower speed at 0.25" W.C. static pressure	LOW	MED-HI	HIGH	HIGH
Maximum cooling, speed	LOW	MED-LO	MED-HI	HIGH
Maximum cooling, tons @ 5" W.C.	1.5	2	2.5	3
Motor (HP) / number of speeds	1/3 HP / 4 speeds			
Blower wheel size (in.)	10 X 10			

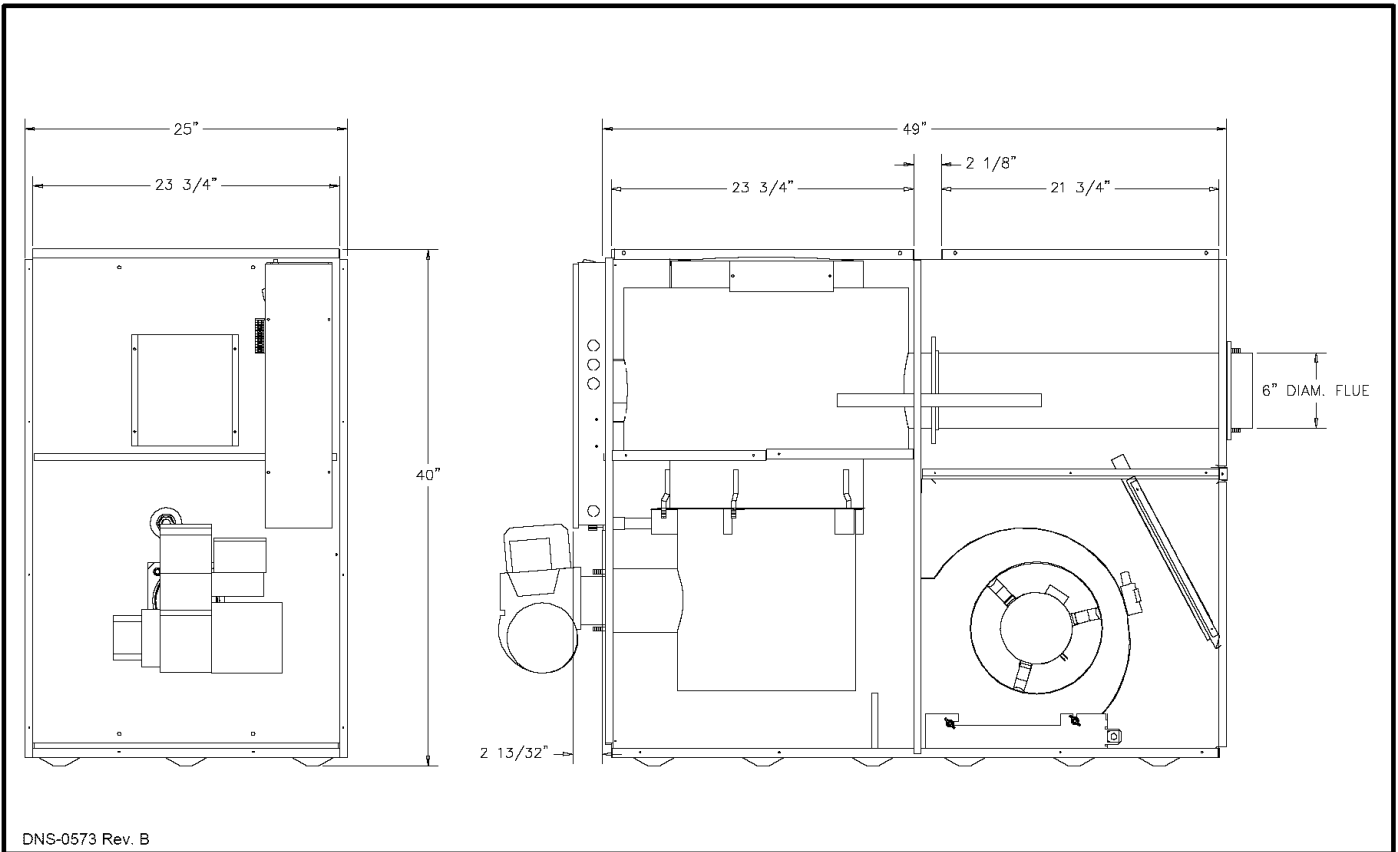
**TABLE # 5.3**  
**Air delivery - CFM with air filter**

	OLB5-F, OLF105 & NOLF105	
	<b>EXTERNAL STATIC PRESSURE WITH AIR FILTER</b>	
<b>SPEED</b>	0.25	0.5
LOW	840	770
MED-LO	960	800
MED-HI	1050	980
HIGH	1300	1200

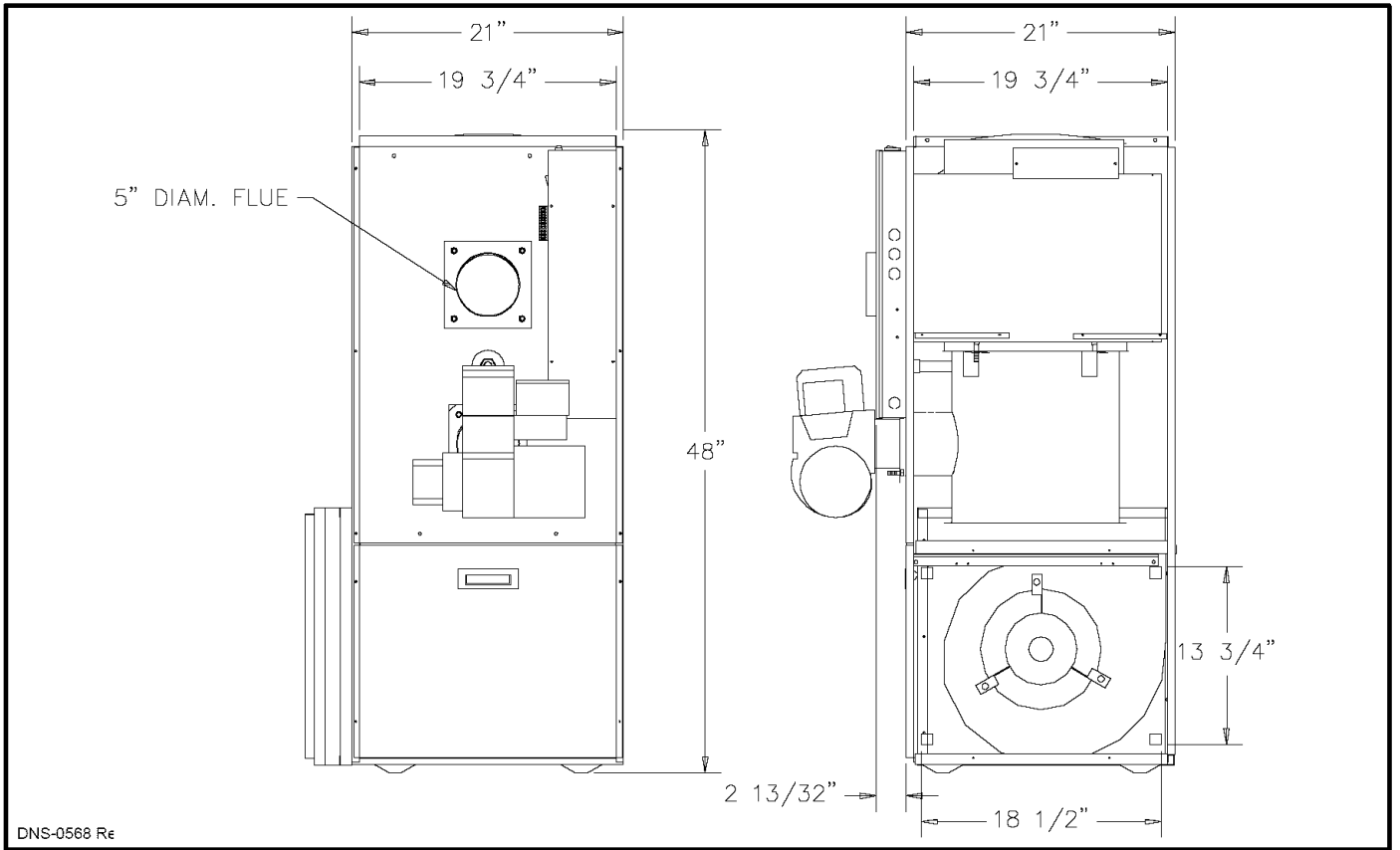
**FIGURE # 5.1**  
**Model: OLB5-R059-085-3 & OLR105A12B**



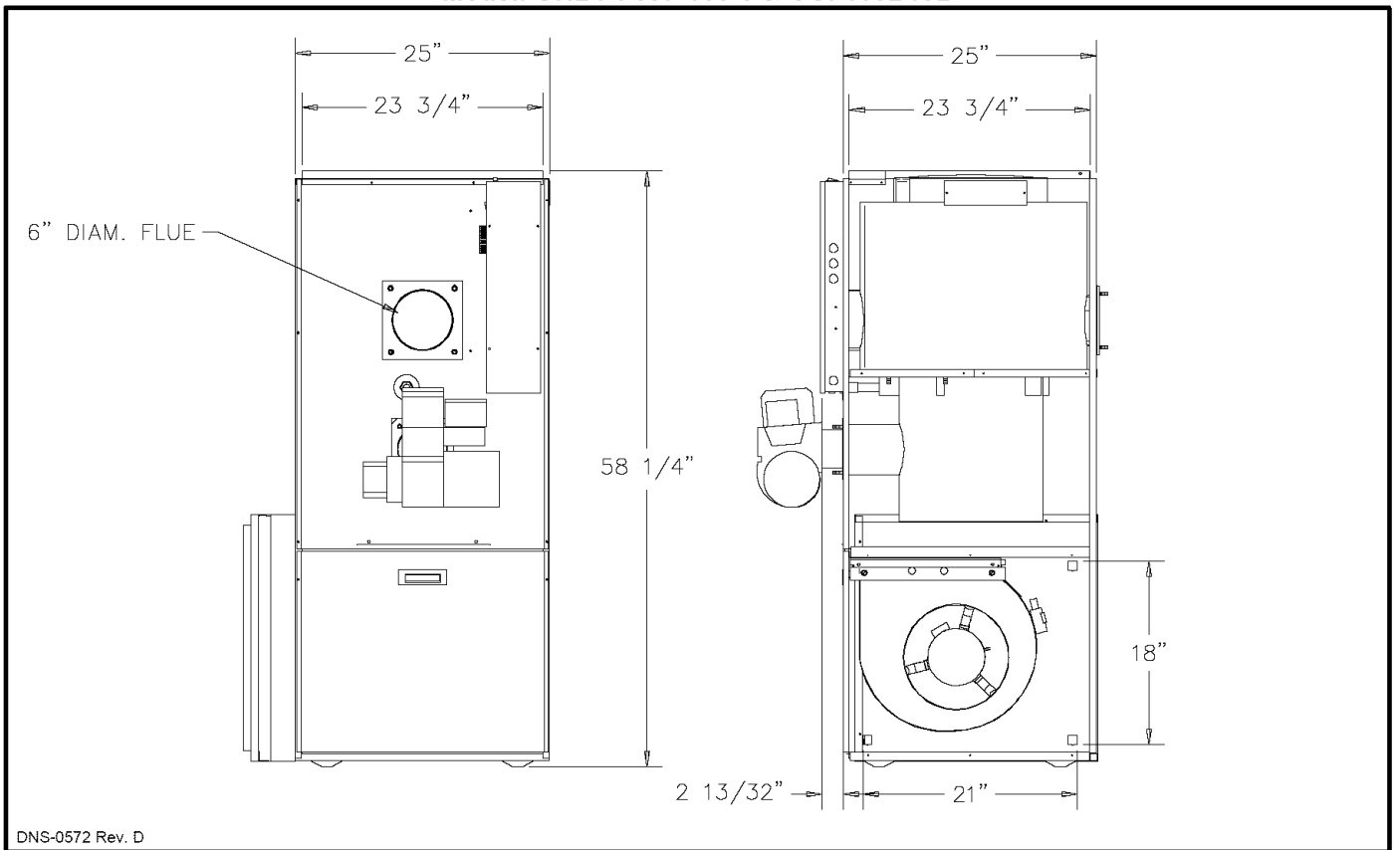
**FIGURE # 5.2**  
**Model: OLB6-R097-130-5 & OLR160B20B**



**FIGURE # 5.3**  
**Model: OHB5-F059-085-3 & OUF105A12B**

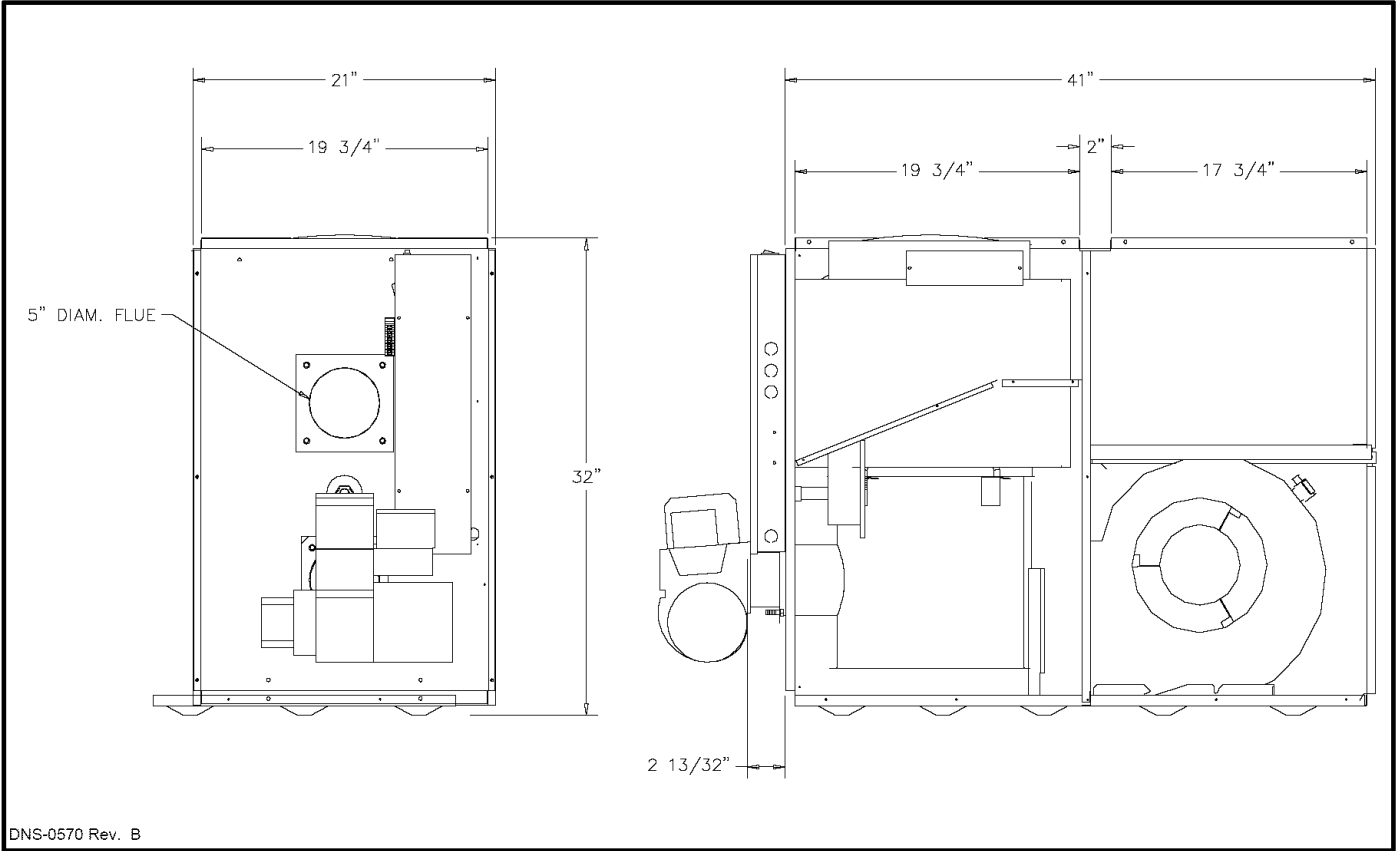


**FIGURE # 5.4**  
**Model: OHB6-F097-130-5 & OUF160B18B**

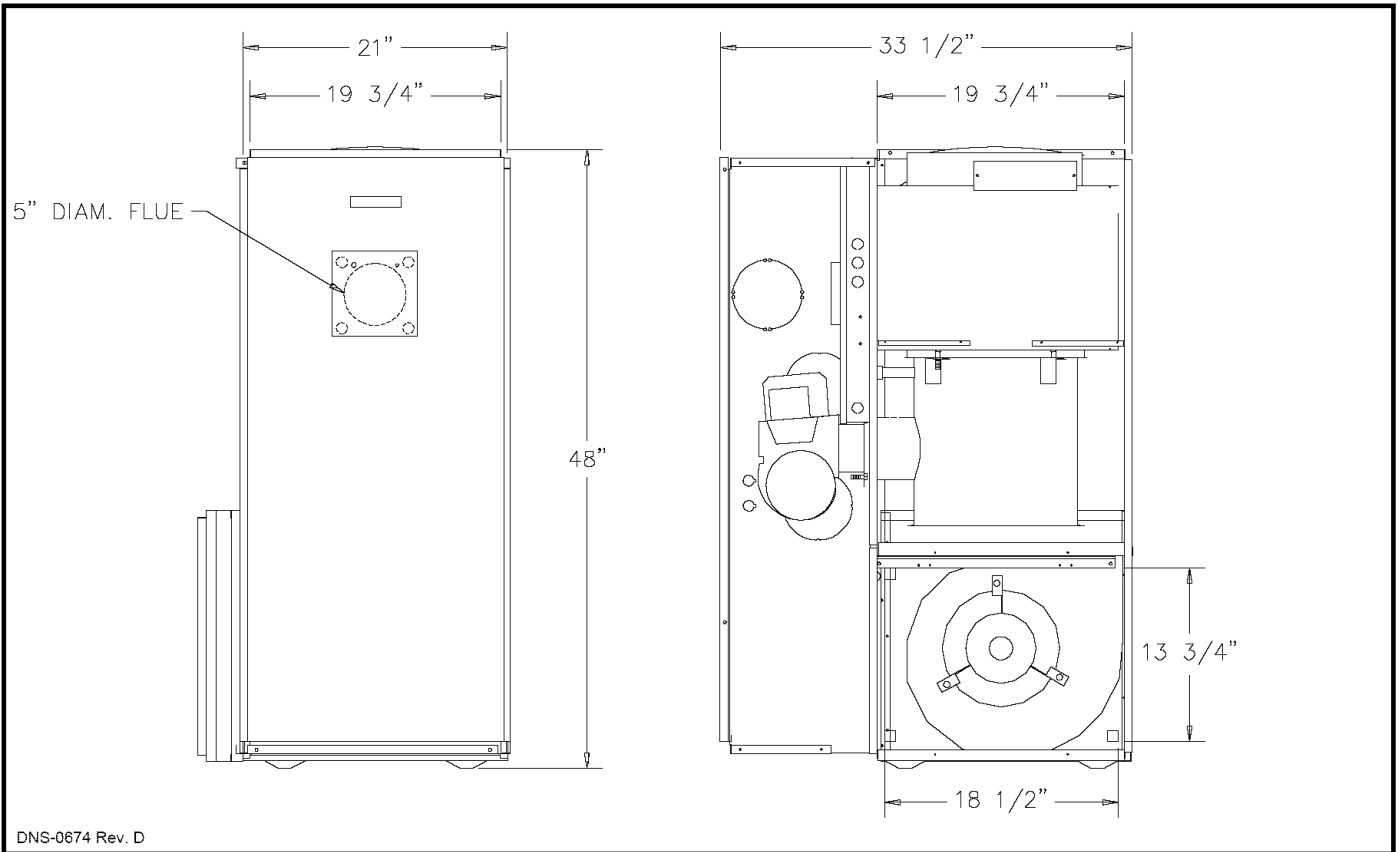




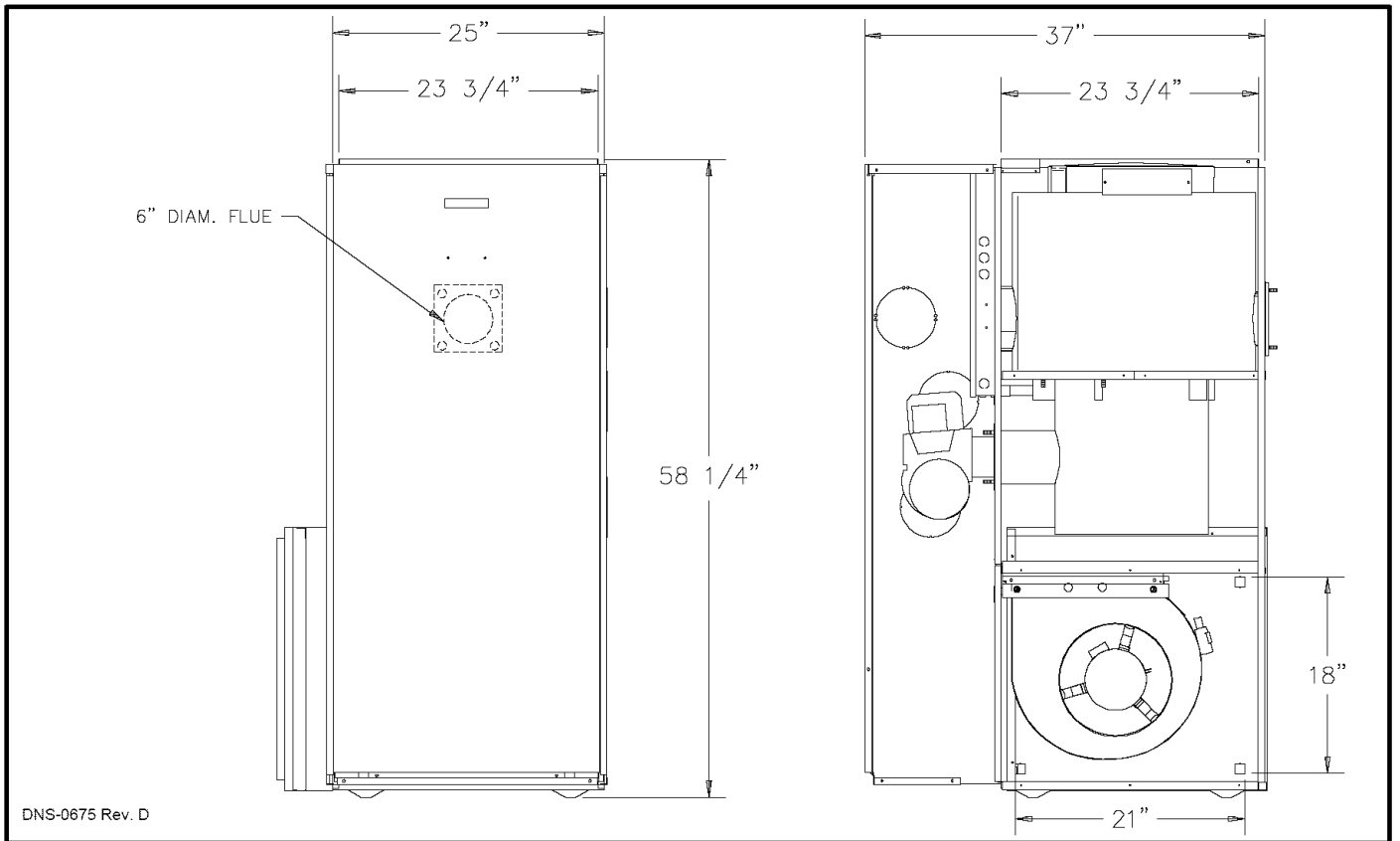
**FIGURE # 5.5**  
**Model : OLB5-F059-085-3 & OLF105A12B**



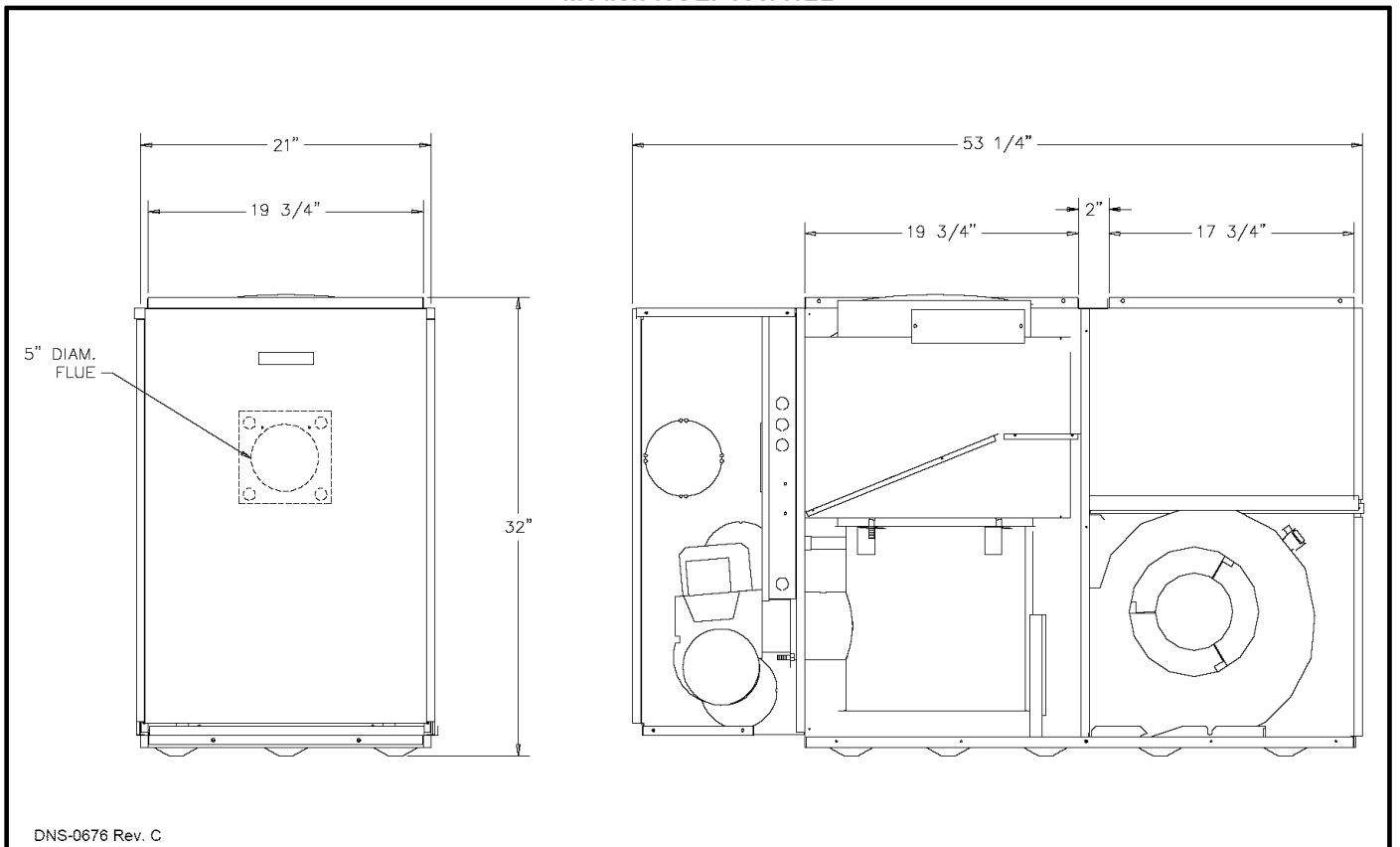
**FIGURE # 5.6**  
**Model: NOUF105A12B**



**FIGURE # 5.7**  
**Model: NOUF160B18B**

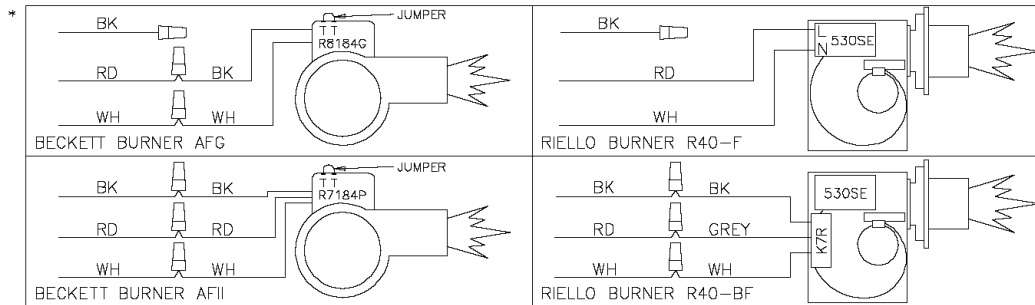
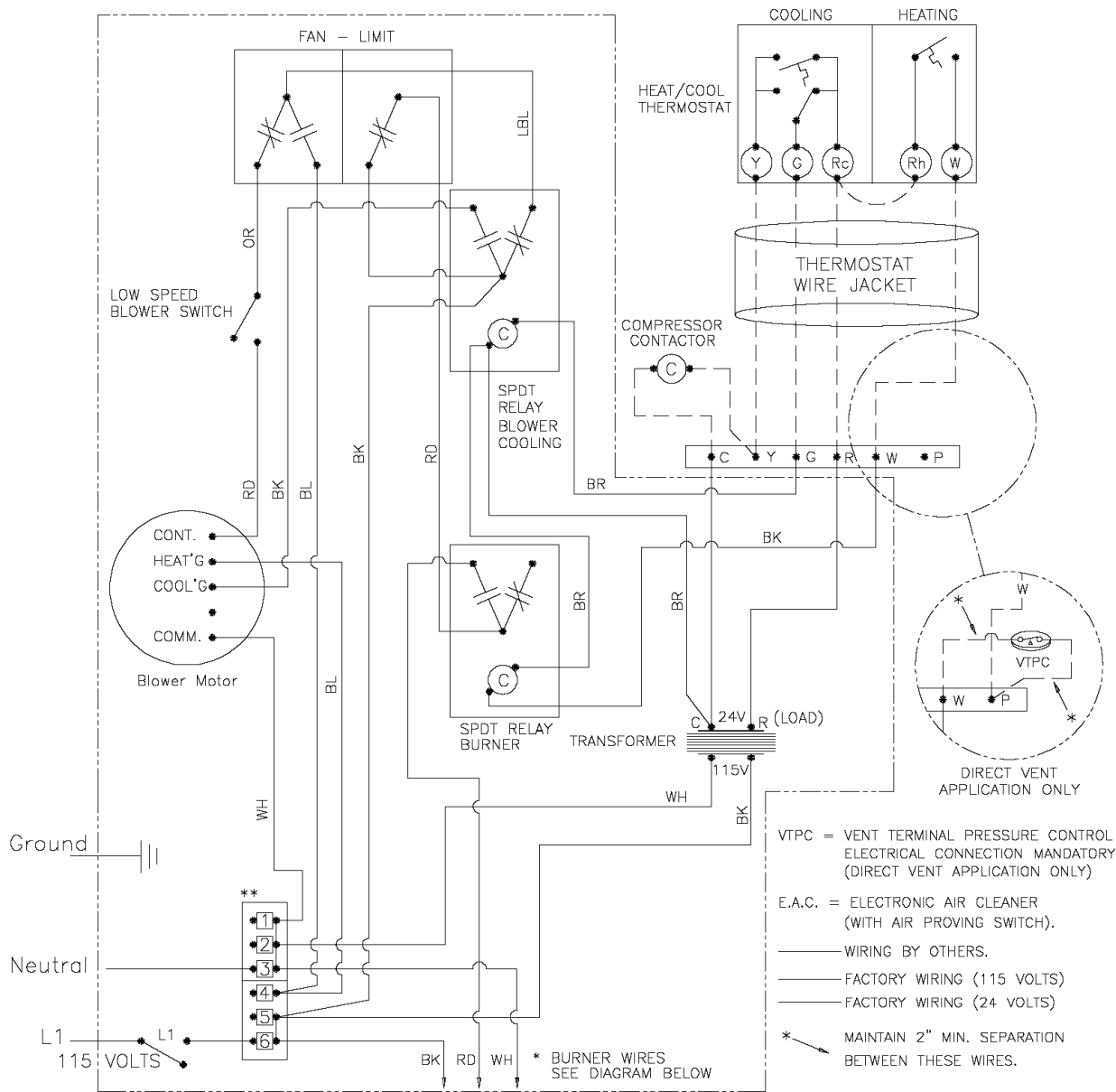


**FIGURE # 5.8**  
**Model: NOLF105A12B**



→ FIGURE # 6

Wiring diagram, OLB5-R, OLB6-R, OHB5-F, OHB6-F, OLB5-F, OLR105A12B, OLR160B20B, OUF105A12B, NOUF105A12B, OUF160B18B, NOUF160B18B, OLF105A12B & NOLF105A12B

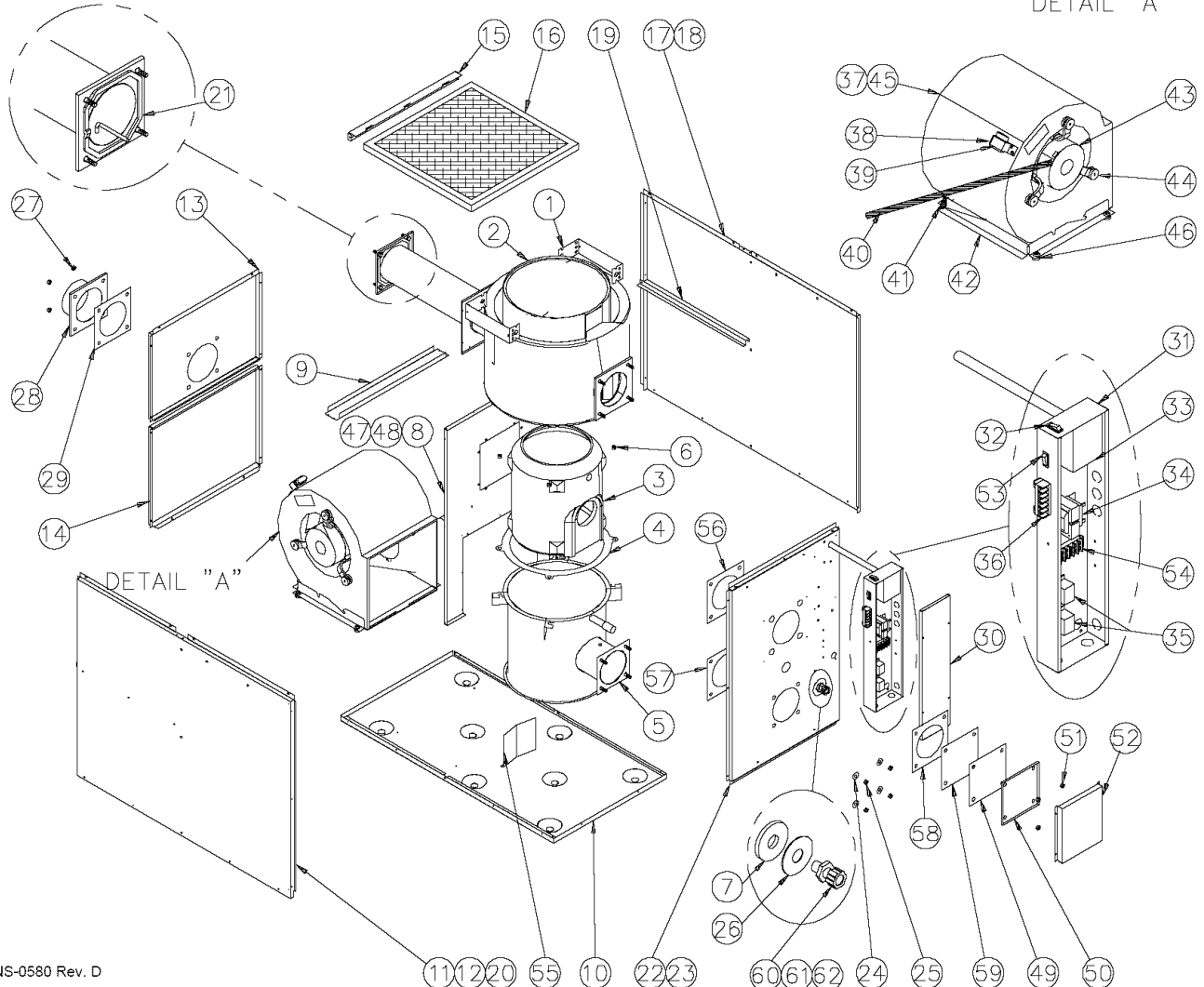


- \*\*
- ① NEUTRAL HUMIDIFIER TERMINAL
  - ② NEUTRAL ELECTRONIC AIR CLEANER TERMINAL
  - ③ NEUTRAL TERMINAL
  - ④ ELECTRIC SUPPLY (L1) HUMIDIFIER TERMINAL
  - ⑤ ELECTRIC SUPPLY (L1) ELECTRIC AIR CLEANER TERMINAL
  - ⑥ ELECTRIC SUPPLY FROM SWITCH

## PARTS LIST

Model : OLB5-R059-085-3, Serial # > 264 000

DETAIL "A"

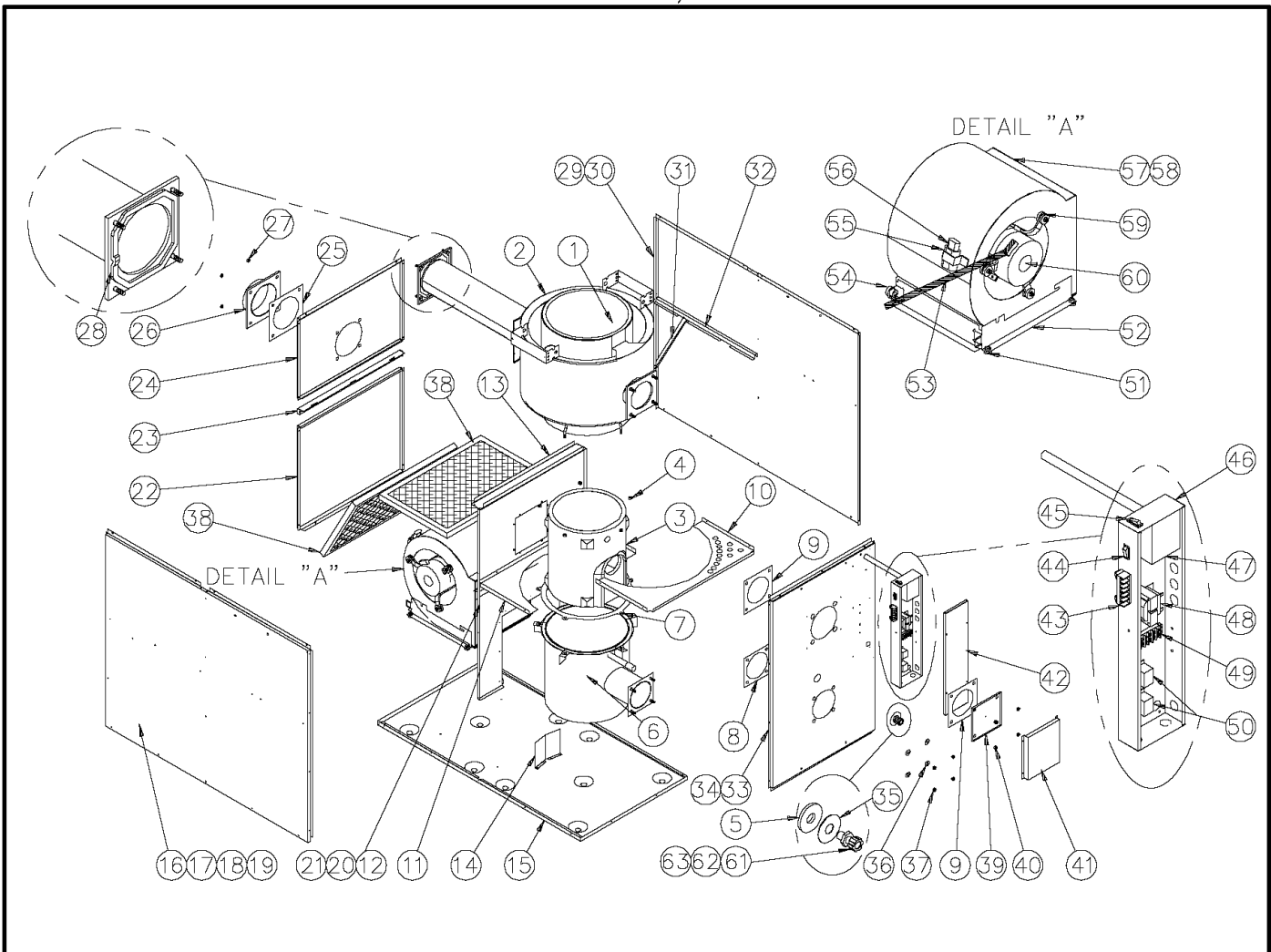


DNS-0580 Rev. D

ITEM	DESCRIPTION	NUMBER
1	Complete heat exchanger (combustion chamber included)	B30756-02
2	Top heat exchanger	B30465-02
3	Combustion chamber (item 4 included)	B30414
4	Gasket, heat exchanger	B30517
5	Bottom heat exchanger	B30757
6	Hexagonal flange nut 3/8-16NC brass	F070001
7	Gasket panel, peep hole	B30753
8	Division panel	B30488
9	Plenum divider	B30478
10	Floor	B30472
11	Left side panel ass'y	B30509-02
12	Left side panel insulation	B30493-04
13	Top rear panel	B30511
14	Blower door ass'y (labels included)	B30512
15	Air filter drawer	B30507
16	20 X 20 X1 paper filter	Z04F004
17	Right side panel ass'y	B30509-01
18	Right side panel insulation	B30493-03
19	Right filter support	B30479-01
20	Left filter support	B30479-02
21	Gasket, extruded 1/4" X 1/8" x 25'	J06L002
22	Front panel ass'y (labels included)	B30768-01
23	Front panel insulation	B30762
24	Washer 3/8" AA zinc	F06F005
25	Hexagonal nut 3/8-16NC brass	F07F024
26	Washer, peep hole	B30752
27	Hexagonal flange nut 3/8-16NC brass	F070001
28A	5" breech plate (chimney application)	B30459
28B	3" breech plate (direct vent application)	B30515
29	Gasket, breech plate	B30415-02
30	Electrical box cover (without cosmetic)	B40085
31	Electrical box (box only)	B30514
32	Rocker switch SPST (constant blower operation)	L07F003

ITEM	DESCRIPTION	NUMBER
33	Fan limit control	R021005
34	Transformer 120/24 VAC / 40 VA	K03040
35	Relay SPDT 24VAC	L01H009
36	Terminal strip, 6 positions	L05F011
37	Blower wheel 10 X 10	Z01L002
38	Capacitor holder	B01024
39	5 MF capacitor	L01I001
40	Blower electrical kit	B30057
41	Screw cable tie	F11F007
42	Blower support bracket	B30473
43	1/3 HP direct drive motor (complete with legs)	B01890-01
44	Motor mount ass'y (legs, band and screws)	B01888
45A	Blower 10 X 10 (housing and wheel)	Z011004
45B	Blower ass'y (items 38, 39, 43 and 45 included)	B01405-03
46	Rubber grommet #19	Z01F006
47	Sealing strip	B01291-01
48	Strip	B01025-99
49	Gasket, access cover	B30415-01
50	Flange plate	B30487
51	Hexagonal flange nut 3/8-16NC brass	F070001
52	Access cover	B30486
53	Rocker switch SPST (main power)	L07F016
54	Terminal strip, 6 positions	A00336
55	Floor baffle	B40481
56	Gasket, access cover	B30415-02
57	Gasket, burner	B30534
58	Gasket, access cover	B30415-02
59	Gasket, sealing plate	B30533
60A	Peep hole kit	K30011
60B	Overfire pressure test kit	K30012
61	Gasket, glass	B30055
62	Glass, neoceram	B30041-01

**PARTS LIST**  
**Model : OLB6-R097-130-5, Serial # > 264 000**



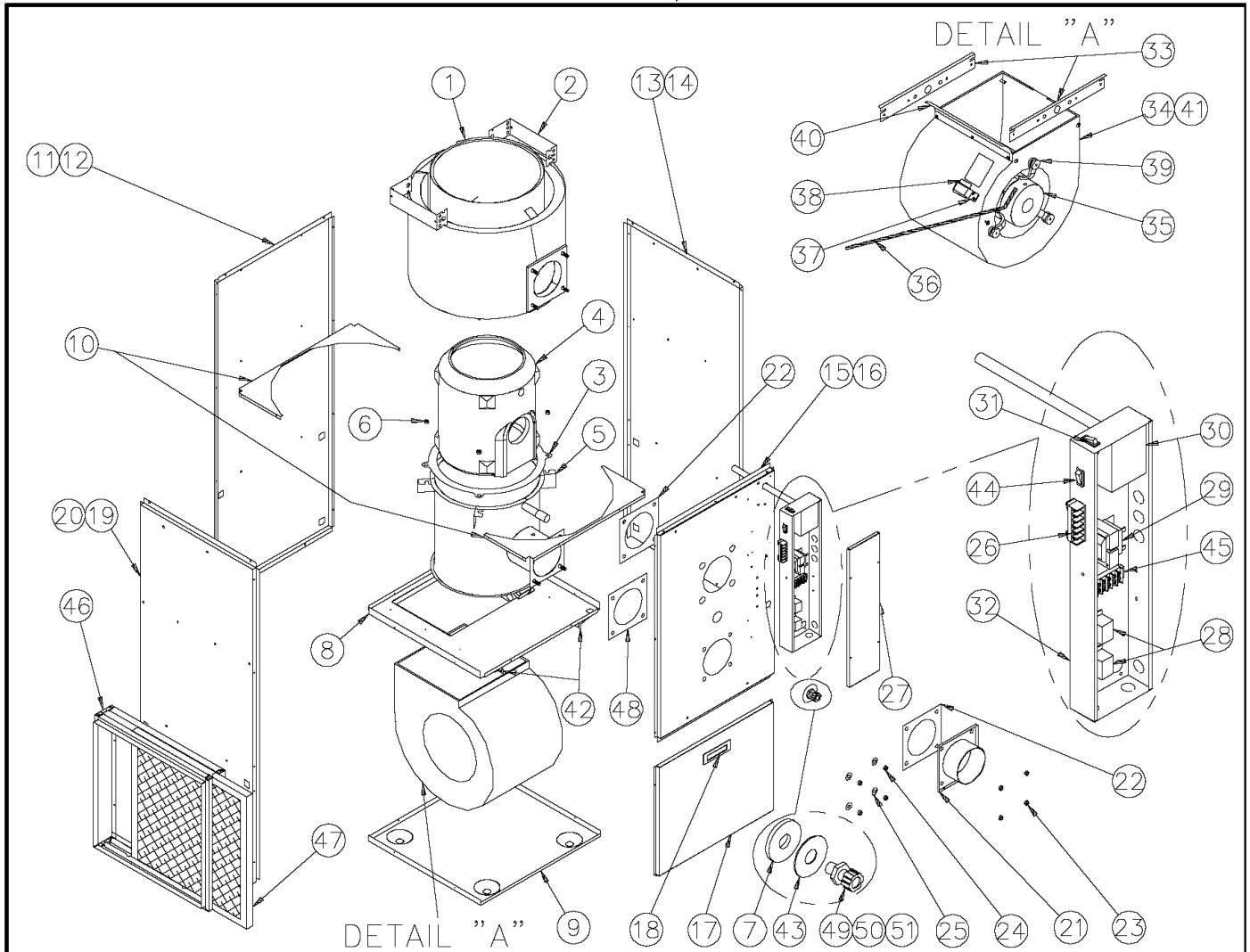
DNS-0583 Rev. D

ITEM	DESCRIPTION	NUMBER
1	Complete heat exchanger (combustion chamber included)	B30786-02
2	Top heat exchanger	B30596
3	Combustion chamber (item 7 included)	B30584
4	Hexagonal flange nut 3/8-16NC brass	F070001
5	Gasket panel, peep hole	B30753
6	Bottom heat exchanger	B30787
7	Gasket, heat exchanger	B30532
8	Gasket, burner	B30534
9	Gasket, heat exchanger	B30415-02
10	Front baffle	B30665
11	Rear baffle	B30664
12	Division panel	B30666
13	Plenum divider	B30669
14	Floor baffle	B30481
15	Floor	B30633
16	Left side panel ass'y	B30680-02
17	Left side panel insulation	B30686-02
18	Left bottom filter support	B30668-02
19	Left top filter support	B30667
20	Strip	B10256-99
21	Gasket, sealing strip	B01291-02
22	Blower door ass'y (labels included)	B30683
23	Air filter drawer	B30678
24	Top rear panel	B30682
25	Gasket, breech plate	B30589-01
26A	6" breech plate (chimney application)	B30646
26B	4" breech plate (direct vent application)	B30647
27	Hexagonal flange nut 3/8-16NC brass	F070001
28	Gasket, extruded 1/4" X 1/8" x 25'	J06L002
29	Right side panel ass'y	B30680-01
30	Right side panel insulation	B30686-01
31	Right bottom filter support	B30668-01
32	Right top filter support	B30667
33	Front panel ass'y (labels included)	B30782-01
34	Front panel insulation	B30780

ITEM	DESCRIPTION	NUMBER
35	Washer, peep hole	B30752
36	Washer 3/8" AA zinc	F06F005
37	Hexagonal nut 3/8-16NC brass	F07F024
38	16 X 24 X1 paper filter	Z04F007
39	Flange plate	B30676
40	Hexagonal flange nut 3/8-16NC brass	F070001
41	Access cover	B30486
42	Electrical box cover (without cosmetic)	B40085
43	Terminal strip, 6 positions	L05F011
44	Rocker switch SPST (main power)	L07F016
45	Rocker switch SPST (constant blower operation)	L07F003
46	Electrical box (box only)	B30514
47	Fan limit control	R021005
48	Transformer 120/24 VAC / 40 VA	K03040
49	Terminal strip, 6 positions	A00336
50	Relay SPDT 24VAC	L01H009
51	Rubber grommet #19	Z01F006
52	Blower support bracket	B01756
53	Blower electrical kit	B30530-01
54	Strain release bushing SR-9P-2	L04I010
55	Capacitor holder	B01024
56	15 MF capacitor	L01I015
57	Blower wheel 12 X 10	Z01L003
58A	Blower 12 X 10 (housing and wheel)	Z01I008
58B	Blower ass'y (items 55, 56, 58 and 60 included)	B01406-06
59	Motor mount ass'y (legs, band and screws)	B01889
60	3/4 HP direct drive motor (without legs)	L06I004
61A	Peep hole kit	K30011
61B	Overfire pressure test kit	K30012
62	Gasket, glass	B30055
63	Glass, neoceram	B30041-01

## PARTS LIST

Model : OHB5-F0559-085-3 , Serial # > 264 000

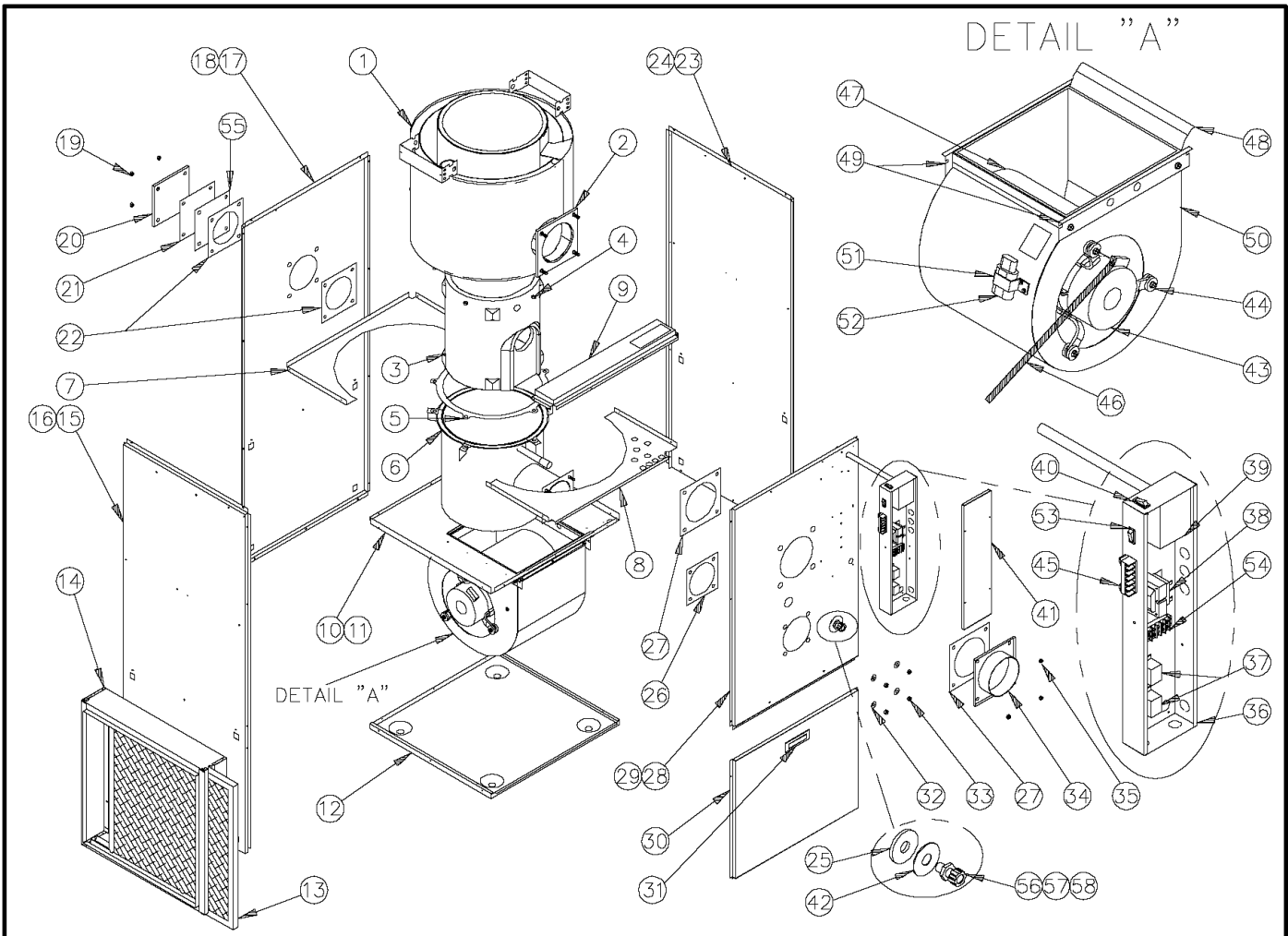


DNS-0579 Rev. E

ITEM	DESCRIPTION	NUMBER
1	Complete heat exchanger (combustion chamber included)	B30756-01
2	Top heat exchanger	B30465-01
3	Gasket, heat exchanger	B30517
4	Combustion chamber (item 3 included)	B30414
5	Bottom heat exchanger	B30757
6	Hexagonal flange nut 3/8-16NC brass	F07O001
7	Gasket panel, peep hole	B30753
8	Division panel	B30431
9	Floor	B30430
10	Baffle	B30426
11	Rear panel ass'y	B30457
12	Rear panel insulation	B30419
13	Right side panel ass'y	B30458-01
14	Right side panel insulation	B30418
15	Front panel ass'y (labels included)	B30760-01
16	Front panel insulation	B30761
17	Blower door ass'y (labels included)	B30455
18	Door handle	Z99F050
19	Left side panel ass'y	B30458-02
20	Left side panel insulation	B30418
21A	5" breech plate (chimney application)	B30459
21B	3" breech plate (direct vent application)	B30515
22	Gasket, breech plate	B30415-02
23	Hexagonal flange nut 3/8-16NC brass	F07O001
24	Hexagonal nut 3/8-16NC brass	F07F024
25	Washer 3/8" AA zinc	F06F005
26	Terminal strip, 6 positions	L05F011

ITEM	DESCRIPTION	NUMBER
27	Electrical box cover (without cosmetic)	B40085
28	Relay SPDT 24VAC	L01H009
29	Transformer 120/24 VAC / 40 VA	K03040
30	Fan limit control	R021005
31	Rocker switch SPST (constant blower operation)	L07F003
32	Electrical box (box only)	B30514
33	Blower side rails	B30433
34	Blower rack ass'y 10 X 10	Z01L002
35	1/2 HP direct drive motor (without legs)	L06H004
36	Blower electrical kit	B30096
37	Capacitor holder	B01024
38	7.5 MF capacitor	L011002
39	Motor mount ass'y (legs, band and screws)	B01888
40	Sealing strip	B01291-01
41A	Blower 10 X 10 (housing and wheel)	Z011004
41B	Blower ass'y (items 35, 37 38 and 41 included)	B01979-01
42	Blower slide	B30513
43	Washer, peep hole	B30752
44	Rocker switch SPST (main power)	L07F016
45	Terminal strip, 6 positions	A00336
46	Filter rack ass'y (supply as an option)	B30083
47	20 X 20 X1 paper filter (depends on filter rack size)	Z04F004
48	Gasket, burner	B30534
49A	Peep hole kit	K30011
49B	Overfire pressure test kit	K30012
50	Gasket, glass	B30055
51	Glass, neoceram	B30041-01

**PARTS LIST**  
**Model : OHB6-F097-130-5 , Serial # > 264 000**



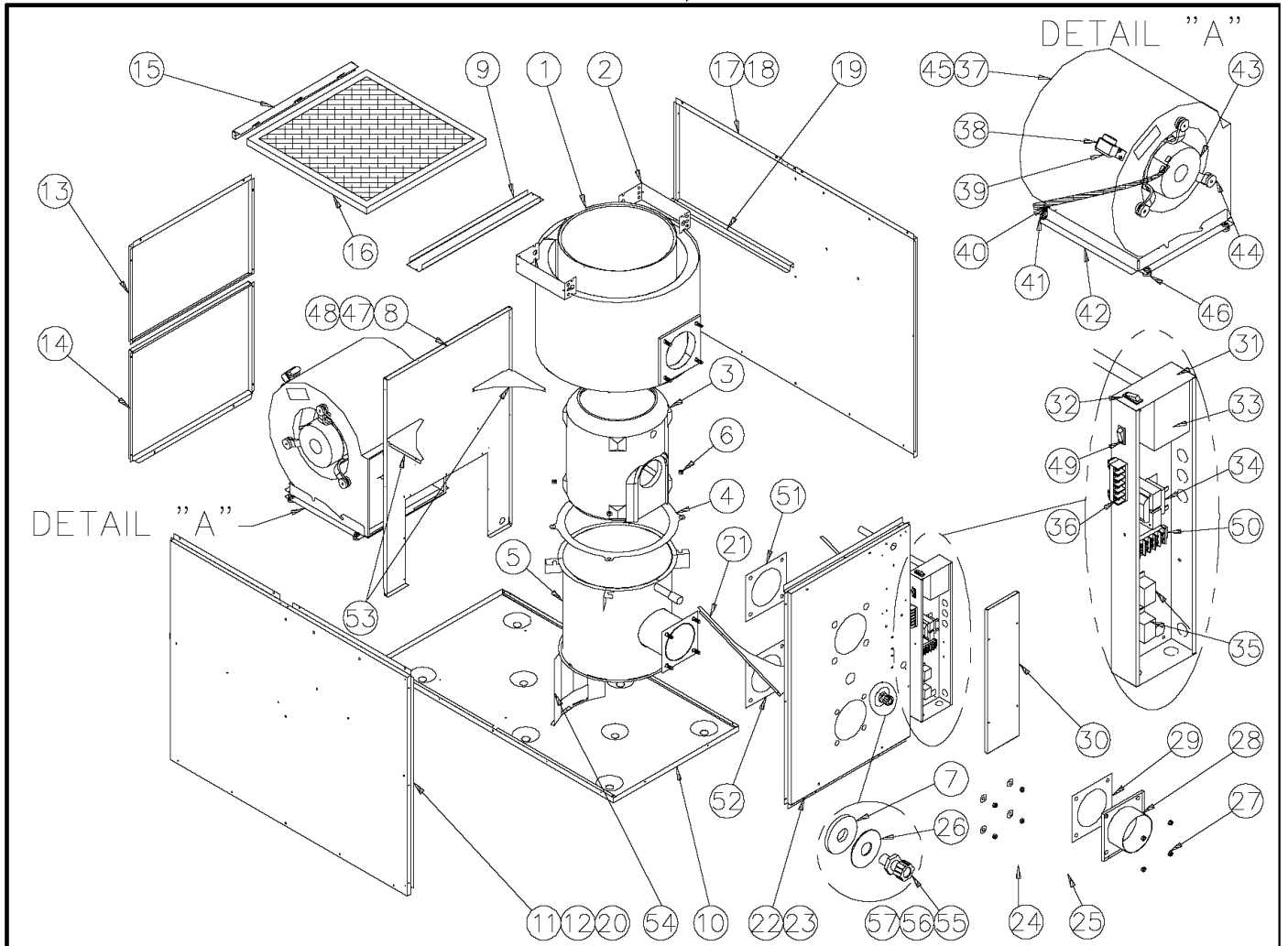
DNS-0582 Rev. D

ITEM	DESCRIPTION	NUMBER
1	Complet heat exchanger (combustion chamber included)	B30786-01
2	Top heat exchanger	B30597
3	Combustion chamber (item 5 included)	B30584
4	Hexagonal flange nut 3/8-16NC brass	F07O001
5	Gasket, heat exchanger	B30532
6	Bottom heat exchanger	B30787
7	Rear baffle	B30819
8	Front baffle	B30618
9	Top baffle	B30639
10	Division panel	B30627
11	Blower slide support	B30625
12	Floor	B30628
13	24 X 24 X 1 paper filter (depends on filter rack size)	Z04F011
14	Filter rack ass'y (supply as an option)	B30656
15	Left side panel ass'y	B30653-02
16	Left side panel insulation	B30658
17	Rear panel ass'y	B30652
18	Rear panel insulation	B30659
19	Hexagonal flange nut 3/8-16NC brass	F07O001
20	Breach plate	B30487
21	Gasket, access cover	B30415-01
22	Gasket, access cover	B30415-02
23	Right side panel ass'y	B30653-01
24	Right side panel insulation	B30658
25	Gasket panel, peep hole	B30753
26	Gasket, burner	B30534
27	Gasket, breach plate	B30589-01
28	Front panel ass'y (labels included)	B30781-01
29	Front panel insulation	B30779
30	Blower door ass'y (labels included)	B30651
31	Door handle	Z99F050

ITEM	DESCRIPTION	NUMBER
32	Washer 3/8" AA zinc	F06F005
33	Hexagonal nut 3/8-16NC brass	F07F024
34A	6" breach plate (chimney application)	B30646
34B	4" breach plate (direct vent application)	B30647
35	Hexagonal flange nut 3/8-16NC brass	F07O001
36	Electrical box (box only)	B30514
37	Relay SPDT 24VAC	L01H009
38	Transformer 120/24 VAC / 40 VA	K03040
39	Fan limit control	R021005
40	Rocker switch SPST (constant blower operation)	L07F003
41	Electrical box cover (without cosmetic)	B40085
42	Washer, peep hole	B30752
43	.85 HP direct drive motor (without legs)	L06K001
44	Motor mount ass'y (legs, band and screws)	B01889
45	Terminal strip, 6 positions	L05F011
46	Blower electrical kit	B30530
47	Blower wheel 12 X 10	Z01L003
48	Sealing strip	B01291-01
49	Blower side rails	B30626
50A	Blower 12 X 10 (housing and wheel)	Z011008
50B	Blower ass'y (items 43, 50A, 51 and 52)	B02167-01
51	Capacitor holder	B01024
52	10 MF capacitor	L011003
53	Rocker switch SPST (main power)	L07F016
54	Terminal strip, 6 positions	A00336
55	Gasket, sealing plate	B30533
56A	Peep hole kit	K30011
56B	Overfire pressure test kit	K30012
57	Gasket, glass	B30055
58	Glass, neoceram	B30041-01

## PARTS LIST

Model : OLB5-F059-085-3 , Serial # > 264 000



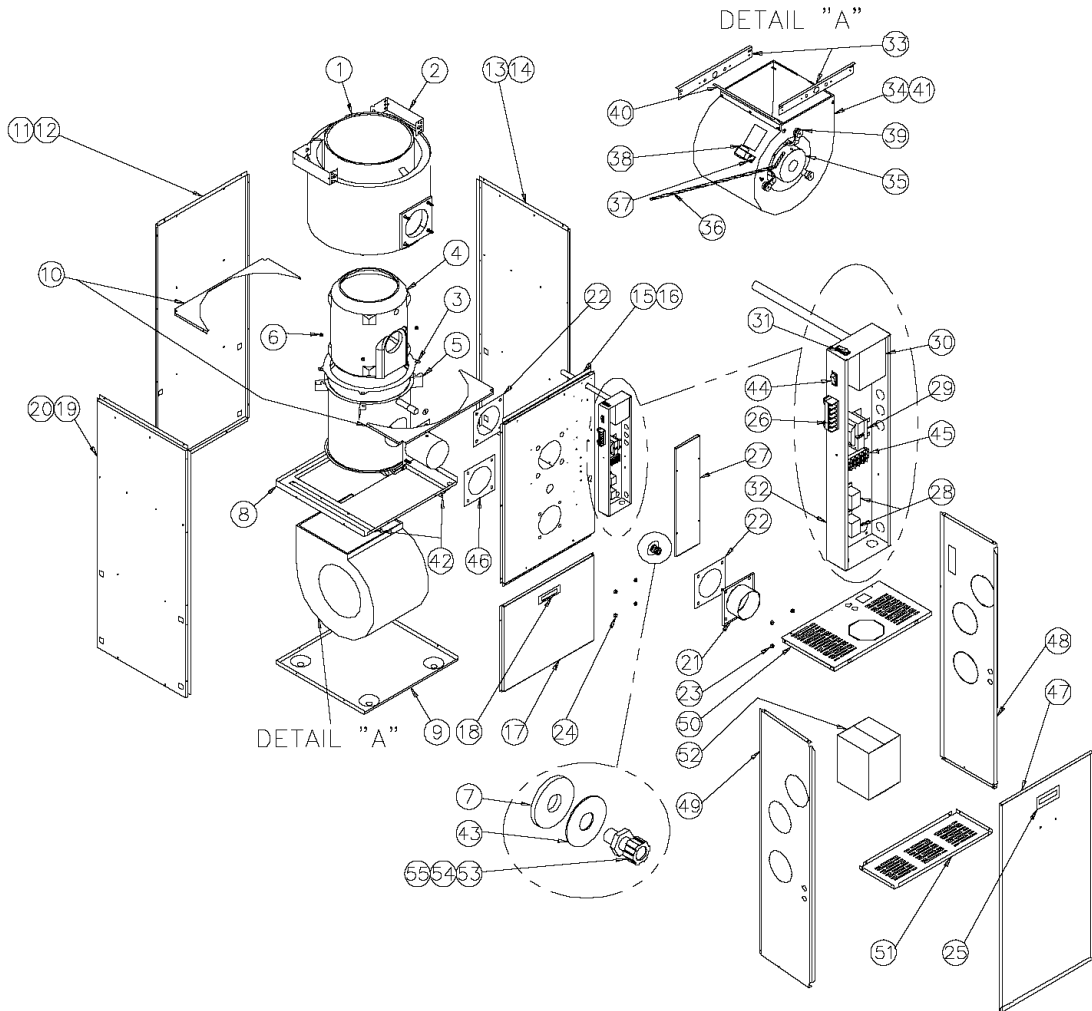
DNS-0581 Rev. C

ITEM	DESCRIPTION	NUMBER
1	Compleat heat exchanger (combustion chamber included)	B30756-01
2	Top heat exchanger	B30465-01
3	Combustion chamber (item 4 included)	B30414
4	Gasket, heat exchanger	B30517
5	Bottom heat exchanger	B30757
6	Hexagonal flange nut 3/8-16NC brass	F070001
7	Gasket panel, peep hole	B30753
8	Division panel	B30477
9	Plenum divider	B30478
10	Floor	B30472
11	Left side panel ass'y	B30504-02
12	Left side panel insulation	B30493-02
13	Top rear panel	B30506
14	Blower door ass'y (labels included)	B30512
15	Air filter drawer	B30507
16	20 X 20 X1 paper filter	Z04F004
17	Right side panel ass'y	B30504-01
18	Right side panel insulation	B30493-01
19	Right filter support	B30479-01
20	Left filter support	B30479-02
21	Front baffle	B30483
22	Front panel ass'y (labels included)	B30767-01
23	Front panel insulation	B30761
24	Washer 3/8" AA zinc	F06F005
25	Hexagonal nut 3/8-16NC brass	F07F024
26	Washer, peep hole	B30752
27	Hexagonal flange nut 3/8-16NC brass	F070001
28A	5" breech plate (chimney application)	B30459
28B	3" breech plate (direct vent application)	B30515
29	Gasket, breech plate	B30415-02

ITEM	DESCRIPTION	NUMBER
30	Electrical box cover (without cosmetic)	B40085
31	Electrical box (box only)	B30514
32	Rocker switch SPST (constant blower operation)	L07F003
33	Fan limit control	R021005
34	Transformer 120/24 VAC / 40 VA	K03040
35	Relay SPDT 24VAC	L01H009
36	Terminal strip, 6 positions	L05F011
37	Blower weel 10 X 10	Z01L002
38	Capacitor holder	B01024
39	5 MF capacitor	L011001
40	Blower electrical kit	B30057
41	Screw cable tie	F11F007
42	Blower support bracket	B30473
43	1/3 HP direct drive motor (complete with legs)	B01890-01
44	Motor mount ass'y (legs, band and screws)	B01888
45A	Blower 10 X 10 (housing and wheel)	Z011004
45B	Blower ass'y (items 38, 39, 43 and 45 included)	B01405-03
46	Rubber grommet #19	Z01F006
47	Sealing strip	B01291-01
48	Strip	B30188-02
49	Rocker switch SPST (main power)	L07F016
50	Terminal strip, 6 positions	A00336
51	Gasket, breech plate	B30415-02
52	Gasket, burner	B30534
53	Rear baffle	B30490
54	Front baffle	B30480
55A	Peep hole kit	K30011
55B	Overfire pressure test kit	K30012
56	Gasket, glass	B30055
57	Glass, neoceram	B30041-01



**PARTS LIST**  
**Model : NOUF105A12B Serial # > 264 000**

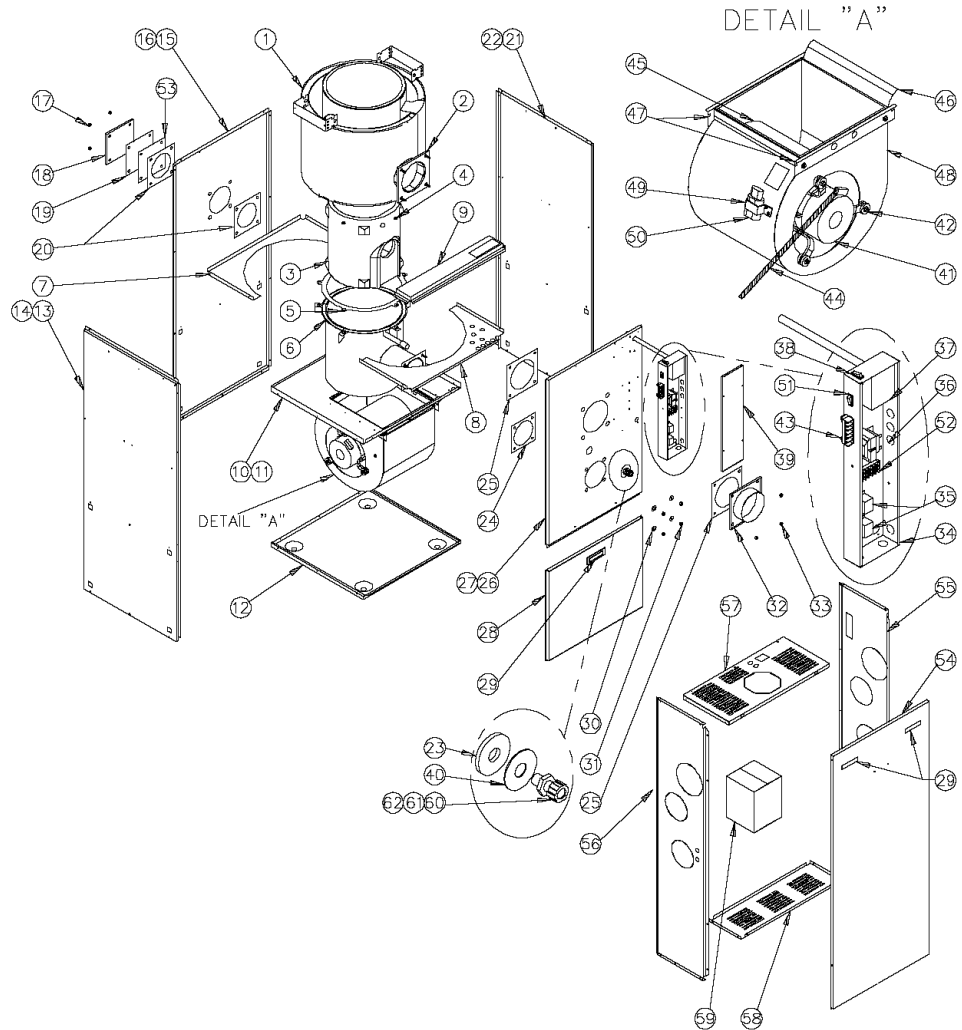


DNS-0681 Rev. D

ITEM	DESCRIPTION	NUMBER
1	Compleat heat exchanger (combustion chamber included)	B30756-01
2	Top heat exchanger	B30465-01
3	Gasket, heat exchanger	B30517
4	Combustion chamber (item 3 included)	B30414
5	Bottom heat exchanger	B30757
6	Hexagonal flange nut 3/8-16NC brass	F07O001
7	Gasket panel, peep hole	B30753
8	Division panel	B30431
9	Floor	B30430
10	Baffle	B30426
11	Rear panel ass'y	B30457
12	Rear panel insulation	B30419
13	Right side panel ass'y	B30458-01
14	Right side panel insulation	B30418
15	Front panel ass'y (labels included)	B30760-01
16	Front panel insulation	B30761
17	Blower door ass'y (labels included)	B30455
18	Door handle	Z99F050
19	Left side panel ass'y	B30458-02
20	Left side panel insulation	B30418
21A	5" breech plate (chimney application)	B30459
21B	3" breech plate (direct vent application)	B30515
22	Gasket, breech plate	B30415-02
23	Hexagonal flange nut 3/8-16NC brass	F07O001
24	Hexagonal nut 3/8-16NC brass	F07F024
25	Door handle	Z99F050
26	Terminal strip, 6 positions	L05F011
27	Electrical box cover (without cosmetic)	B40085
28	Relay SPDT 24VAC	L01H009

ITEM	DESCRIPTION	NUMBER
29	Transformer 120/24 VAC / 40 VA	L01F009
30	Fan limit control	R02I005
31	Rocker switch SPST	L07F003
32	Electrical box (box only)	B30514
33	Blower side rails	B30433
34	Blower wheel 10 X 10	Z01L002
35	1/2 HP direct drive motor (complete with legs)	L06H004
36	Blower electrical kit	B30096
37	Capacitor holder	B01024
38	7.5 MF capacitor	L01I002
39	Motor mount ass'y (legs, band and screws)	B01888
40	Sealing strip	B01291-01
41A	Blower 10 X 10 (housing and wheel)	Z01I004
41B	Blower ass'y (items 35, 37, 38 and 41A included)	B01979-01
42	Blower slide support	B30513
43	Washer, peep hole	B30752
44	Rocker switch SPST (main power)	L07F016
45	Terminal strip, 6 positions	A00336
46	Gasket, burner	B30534
47	Front door, vestibule	B40293
48	Right panel, vestibule	B30725
49	Left panel, vestibule	B30726
50	Top panel, vestibule	B30723
51	Bottom panel, vestibule	B30724
52	Draft regulator	Z06F001
53A	Peep hole kit	K30011
53B	Overfire pressure test kit	K30012
54	Gasket, glass	B30055
55	Glass, neoceram	B30041-01

**PARTS LIST**  
**Model : NOUF160B18B Serial # > 264 000**

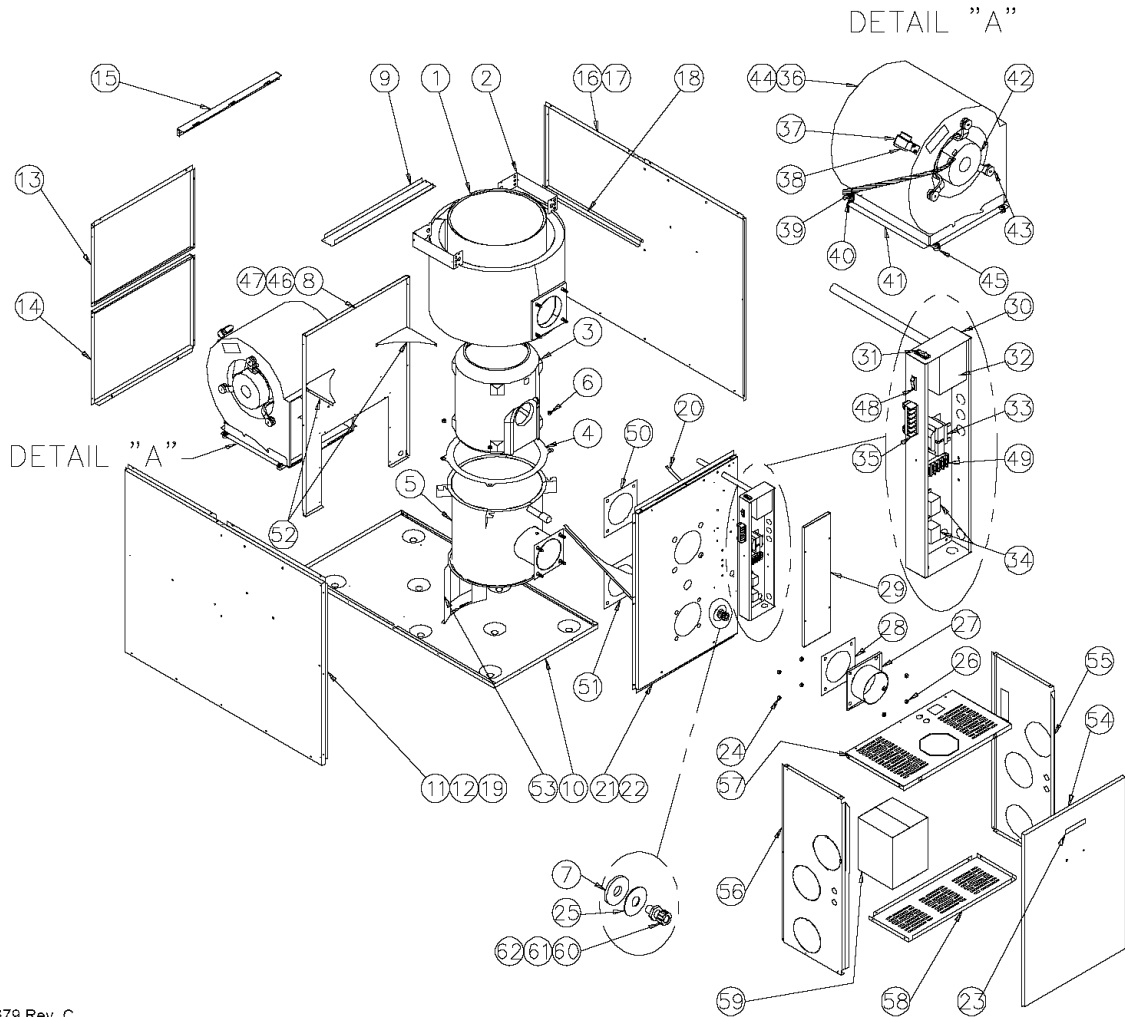


DNS-0680 Rev. C

ITEM	DESCRIPTION	NUMBER
1	Complet heat exchanger (combustion chamber included)	B30786-01
2	Top heat exchanger	B30597
3	Combustion chamber (item 5 included)	B30584
4	Hexagonal flange nut 3/8-16NC brass	F07O001
5	Gasket, heat exchanger	B30532
6	Bottom heat exchanger	B30787
7	Gasket panel, peep hole	B30619
8	Front baffle	B30618
9	Top baffle	B30639
10	Division panel	B30627
11	Blower slide support	B30625
12	Floor	B30628
13	Left side panel ass'y	B30653-02
14	Left side panel insulation	B30658
15	Rear panel ass'y	B30652
16	Rear panel insulation	B30659
17	Hexagonal flange nut 3/8-16NC brass	F07O001
18	Breach plate	B30487
19	Gasket, access cover	B30415-01
20	Gasket, access cover	B30415-02
21	Right side panel ass'y	B30653-01
22	Right side panel insulation	B30658
23	Gasket panel, peep hole	B30753
24	Gasket, burner	B30534
25	Gasket, breach plate	B30589-01
26	Front panel ass'y (labels included)	B30781-01
27	Front panel insulation	B30779
28	Blower door ass'y (labels included)	B30651
29	Door handle	Z99F050
30	Washer 3/8" AA zinc	F06F005
31	Hexagonal nut 3/8-16NC brass	F07F024
32A	6" breach plate (chimney application)	B30646
32B	4" breach plate (direct vent application)	B30647

ITEM	DESCRIPTION	NUMBER
33	Hexagonal flange nut 3/8-16NC brass	F07O001
34	Electrical box (box only)	B30514
35	Relay SPDT 24VAC	L01H009
36	Transformer 120/24 VAC / 40 VA	L01F009
37	Fan limit control	R02I005
38	Rocker switch SPST (constant blower operation)	L07F003
39	Electrical box cover (without cosmetic)	B40085
40	Washer, peep hole	B30752
41	.85 HP direct drive motor (with legs)	L06K001
42	Motor mount ass'y (legs, band and screws)	B01889
43	Terminal strip, 6 positions	L05F011
44	Blower electrical kit	B30530
45	Blower wheel 12 X 10	Z01L003
46	Sealing strip	B01291-01
47	Blower side rails	B30626
48A	Blower 12 X 10 (housing and wheel)	Z01I008
48B	Blower ass'y (items 41, 48A, 49 and 50 included)	B02167-01
49	Capacitor holder	B01024
50	10 MF capacitor	L01I003
51	Rocker switch SPST (main power)	L07F016
52	Terminal strip, 6 positions	A00336
53	Gasket, sealing plate	B30533
54	Front door, vestibule	B40295
55	Right panel, vestibule	B30632
56	Left panel, vestibule	B30633
57	Top panel, vestibule	B30732
58	Bottom panel, vestibule	B30728
59	Draft regulator	Z06F001
60A	Peep hole kit	K30011
60B	Overfire pressure test kit	K30012
61	Gasket, glass	B30055
62	Glass, neoceram	B30041-01

**PARTS LIST**  
**Model : NOLF105A12B Serial # > 264 000**



DNS-0679 Rev. C

ITEM	DESCRIPTION	NUMBER
1	Compleat heat exchanger (combustion chamber included)	B30756-01
2	Top heat exchanger	B30465-01
3	Combustion chamber (item 4 included)	B30414
4	Gasket, heat exchanger	B30517
5	Bottom heat exchanger	B30757
6	Hexagonal flange nut 3/8-16NC brass	F07O001
7	Gasket panel, peep hole	B30753
8	Division panel	B30477
9	Plenum divider	B30478
10	Floor	B30472
11	Left side panel ass'y	B30504-02
12	Left side panel insulation	B30493-02
13	Top rear panel	B30506
14	Blower door ass'y (labels included)	B30512
15	Air filter drawer	B30507
16	Right side panel ass'y	B30504-01
17	Right side panel insulation	B30493-01
18	Right filter support	B30479-01
19	Left filter support	B30479-02
20	Front baffle	B30483
21	Front panel ass'y (labels included)	B30767-01
22	Front panel insulation	B30761
23	Door handle	Z99F050
24	Hexagonal nut 3/8-16NC brass	F07F024
25	Washer, peep hole	B30752
26	Hexagonal flange nut 3/8-16NC brass	F07O001
27A	5" breech plate (chimney application)	B30459
27B	3" breech plate (direct vent application)	B30515
28	Gasket, breech plate	B30415-02
29	Electrical box cover (without cosmetic)	B40085
30	Electrical box (box only)	B30514
31	Rocker switch SPST (constant blower operation)	L07F003
32	Fan limit control	R02I005

ITEM	DESCRIPTION	NUMBER
33	Transformer 120/24 VAC / 40 VA	L01F009
34	Relay SPDT 24VAC	L01H009
35	Terminal strip, 6 positions	L05F011
36	Blower weel 10 X 10	Z01L002
37	Capacitor holder	B01024
38	5 MF capacitor	L01I001
39	Blower electrical kit	B30057
40	Screw cable tie	F11F007
41	Blower support bracket	B30473
42	1/3 HP direct drive motor (with legs)	B01890-01
43	Motor mount ass'y (legs, band and screws)	B01888
44A	Blower 10 X 10 (housing and wheel)	Z01I004
44B	Blower ass'y (items 37, 38, 42 and 44A included)	B01405-03
45	Rubber grommet #19	Z01F006
46	Sealing strip	B01291-01
47	Strip	B01025-99
48	Rocker switch SPST (main power)	L07F016
49	Terminal strip, 6 positions	A00336
50	Gasket, breech plate	B30415-02
51	Gasket, burner	B30534
52	Rear baffle	B30490
53	Front baffle	B30480
54	Front door, vestibule	B40292
55	Right panel, vestibule	B30729
56	Left panel, vestibule	B30730
57	Top panel, vestibule	B30723
58	Bottom panel, vestibule	B30724
59	Draft regulator	Z06F001
60A	Peep hole kit	K30011
60B	Overfire pressure test kit	K30012
61	Gasket, glass	B30055
62	Glass, neoceram	B30041-01

## SECTION 1 INSTALLATION

### POUR VOTRE SÉCURITÉ

L'INSTALLATION DOIT ÊTRE CONFORME AUX RÉGLEMENTS LOCAUX ET NATIONAUX APPLICABLES. AU CANADA, UTILISER LE CODE D'INSTALLATION CSA B139 POUR LES APPAREILS FONCTIONNANT À L'HUILE. AUX ÉTATS-UNIS, UTILISER LES CODES ANSI/NFPA S'APPLIQUANT. UTILISER TOUT AUTRE CODE LOCAL APPLICABLE.

NE PAS UTILISER L'APPAREIL DANS UN ENVIRONNEMENT CORROSIF, CONTENANT CHLORE, FLUOR OU TOUTES AUTRES SUBSTANCES CHIMIQUES.

NE PAS RANGER OU UTILISER D'ESSENCE OU TOUTES AUTRES SUBSTANCES INFLAMMABLES À PROXIMITÉ DE L'APPAREIL.

### 1) LIBELLE DE SÉCURITÉ ET SIGNALISATION

#### 1.1) Danger, Mise en garde et Avertissement:

Comprenez bien la portée des mots suivant d'avertissement : **DANGER**, **MISE EN GARDE** ou **AVERTISSEMENT**. Ces mots sont associés aux symboles de sécurité.

#### 1.2) Les mots d'avertissement :

Le mot **DANGER** indique les plus graves dangers, ceux qui **provoqueront** des blessures corporelles sérieuses ou la mort.

L'expression **MISE EN GARDE** signifie un danger qui **peut** entraîner des blessures corporelles ou la mort.

Quant au mot **AVERTISSEMENT**, il est utilisé pour indiquer les pratiques dangereuses qui **peuvent** provoquer des blessures corporelles mineures ou des dommages à l'appareil ou à la propriété.

#### 1.3) Les mots d'avertissement dans le manuel :

Les mots **MISE EN GARDE** sont indiqués dans le manuel de la façon suivant :

### MISE EN GARDE

Les mots **AVERTISSEMENT** sont indiqués dans ce manuel de la façon suivante :

### AVERTISSEMENT

### 2) RECOMMANDATIONS POUR UNE INSTALLATION SÉCURITAIRE

#### MISE EN GARDE

L'installation ou les réparations par du personnel non qualifié peuvent entraîner des risques pour vous et les autres. L'installation **DOIT** être conforme aux codes locaux ou, dans le cas d'absence de codes locaux, elle doit être conforme aux codes nationaux qui s'appliquent.

Les renseignements contenus dans ce manuel s'adressent à un technicien qualifié, expérimenté dans ce type de travail, au courant des précautions à prendre, des règles de sécurité à respecter et muni des outils appropriés ainsi que des instruments de vérification adéquats.

Si les instructions de ce manuel ne sont pas soigneusement suivies, cela peut causer un mauvais fonctionnement de la fournaise, des dommages à la propriété, des blessures corporelles et/ou des pertes de vie.

#### MISE EN GARDE

##### Risque d'incendie

L'appareil doit être installé au niveau. Ne jamais installer avec une inclinaison vers l'avant.

Si l'appareil est installé dans cette position, l'huile pourrait couler dans le vestibule et créer un risque d'incendie, au lieu d'être acheminé vers la chambre de combustion.

**NOTE :** Il est de la responsabilité et de l'obligation du consommateur de contacter un technicien qualifié pour s'assurer que l'installation est conforme aux règlements locaux et nationaux.

- Cette fournaise N'EST PAS conçue pour être installée dans des maisons mobiles, des caravanes ou des véhicules récréatifs.
- NE PAS utiliser cette fournaise comme chauffette de construction ou pour chauffer un bâtiment en construction.
- Utiliser uniquement le type d'huile autorisé pour cette fournaise (voir la plaque signalétique sur l'appareil). Une surchauffe provoquera une défectuosité de l'échangeur de chaleur et un fonctionnement dangereux.
- Vérifier les lignes à l'huile pour tout signe d'humidité indiquant une fuite.
- S'assurer que la fournaise dispose d'une alimentation adéquate d'air de combustion et de ventilation.

- f. L'évacuation des gaz de combustion doit s'effectuer par l'évacuateur mural ou par la cheminée.
- g. Les points énumérés à la section 2 "Opération" sont essentiels au fonctionnement normal et sécuritaire du système de chauffage. S'assurer qu'ils ont tous été bien suivis.
- h. Suivre les règlements des codes d'installation NFPA No.31 (États-Unis) et CSA B139 (au Canada) ou des codes locaux pour l'installation du réservoir d'huile.
- i. Le service d'entretien et l'inspection doivent être fait régulièrement pour un rendement optimum et sécuritaire.
- j. Avant le service d'entretien, permettre à l'appareil de refroidir. Toujours couper l'alimentation en huile et l'électricité avant le service. Ceci préviendra les décharges électriques et les brûlures.
- k. Sceller les conduites d'alimentation et de retour d'air.
- l. Le système d'évacuation DOIT être vérifié pour s'assurer qu'il est de la dimension et du type requis.
- m. Installer le format adéquat et le bon type de filtre.
- n. L'appareil DOIT être installé de telle sorte que les composantes électriques soient protégées de tout contact direct avec l'eau.

## 2.1) Règles de sécurité :

Votre appareil de chauffage est bâti pour vous procurer de nombreuses années de service en toute sécurité à la condition qu'il soit installé et entretenu adéquatement. Cependant, un usage abusif ou inadéquat peut raccourcir sa longévité et provoquer des risques de danger pour le propriétaire.

- a. La U.S. Consumer Product Safety Commission (Commission américaine pour la sécurité des biens de consommation) recommande que les usagers d'appareils de chauffage au gaz se munissent de détecteurs d'oxyde de carbone. Il existe plusieurs sources d'oxyde de carbone dans un édifice ou une résidence : sècheuse à linge fonctionnant au gaz, cuisinière au gaz, chauffe eau, fournaies, foyers alimentés au gaz et biens d'autres encore. L'oxyde de carbone peut causer des blessures corporelles et même entraîner la mort. Ainsi, afin d'être averti à temps d'un niveau d'oxyde de carbone potentiellement dangereux, vous devriez faire installer dans votre édifice ou résidence des détecteurs d'oxyde de carbone autorisés par une agence reconnue sur le plan national (ex. : Underwriters Laboratories ou International Approval Services) et les maintenir en bon état (voir la note plus bas).
- b. Il existe plusieurs sources possibles de flammes ou de fumée dans un édifice ou une résidence. Les flammes ou la fumée peuvent causer de sérieuses blessures corporelles et même entraîner la mort ou à tout le moins des dommages matériels. Ainsi, afin d'être averti à temps d'un début de feu potentiellement dangereux, vous devriez vous procurer des extincteurs et faire installer dans votre édifice ou résidence des détecteurs de fumée autorisés par une agence reconnue sur le plan national comme Underwriters Laboratories et les maintenir en bon état (voir la note plus bas).

**NOTE :** Nous ne vérifions aucun détecteurs et ne faisons la promotion d'aucune marque ou type de détecteur.

### AVERTISSEMENT

S'assurer que l'espace autour de l'entrée d'air de l'évacuateur mural est libre de débris, neige ou glace.

### AVERTISSEMENT

Le détecteur de pression DOIT être utilisé quand l'évacuation se fait avec l'évacuateur mural.

### AVERTISSEMENT

Ne pas utiliser un nettoyeur pour la suie commercial. Cet appareil possède une chambre de combustion en fibre de céramique. Le service d'entretien normal de cet appareil n'inclus pas le nettoyage de la chambre de combustion. Être très prudent si des travaux doivent être effectués près de la chambre de combustion.

## 2.2) Température froide et votre bâtiment :

### ⚠ MISE EN GARDE

Risque de gel.

Couper l'alimentation en eau.

**Si votre appareil demeure fermé durant la saison froide, les conduites d'eau peuvent geler, éclater et provoquer des dégâts d'eau importants.**

Votre appareil est muni de dispositifs de sécurité qui peuvent l'empêcher de fonctionner si les détecteurs décèlent des conditions anormales comme, par exemple, des conduites d'évacuation encrassées.

Si le système de chauffage est laissé sans surveillance durant la saison froide, prendre les précautions suivantes :

- a. Fermer l'entrée d'eau principale de la maison ou édifice et vider les conduites d'eau si cela est possible. Ouvrir les robinets aux endroits requis.
- b. Demander à une personne de vérifier fréquemment durant la saison froide s'il y a suffisamment de chaleur dans la maison ou édifice pour éviter que les tuyaux gèlent. Suggérer à cette personne d'appeler une agence de service qualifiée si cela est requis.

## 2.3) Normes d'installation :

Les codes locaux et nationaux gouvernant l'installation des appareils à l'huile, des installations électriques et d'évacuation DOIVENT être suivies. Quelques un des codes applicables sont:

CSA B139	CODE D'INSTALLATION DES APPAREILS AU MAZOUT
NFPA 31	INSTALLATION OF OIL BURNING EQUIPEMENT
ANSI/NFPA 90B	WARM AIR HEATING AND AIR CONDITIONING SYSTEMS
ANSI/NFPA 70	NATIONAL ELECTRICAL CODE
CSA C22.2 NO.3	CODE CANADIEN D'ÉLECTRICITÉ

Seulement les versions les plus récentes de ces codes doivent être utilisées

### 3) EMPLACEMENT DE LA FOURNAISE

#### AVERTISSEMENT

Vérifier attentivement votre appareil au moment de la livraison. Des dommages ont pu être causés durant le transport et la manipulation. Toutes réclamations pour dommage ou perte d'accessoire ou de pièce doit être fait à la compagnie de transport.

#### 3.1) Emplacement :

Localiser l'unité de plus près possible de la cheminée ou de l'évacuateur. Prévoir suffisamment d'espace pour permettre la réparation et l'entretien.

Cependant, ne pas installer l'appareil directement sur un tapis ou un autre matériel combustible pouvant empêcher l'air de circuler sous le plancher.

La fournaise doit être installée au niveau pour une opération sécuritaire et silencieuse.

#### AVERTISSEMENT

NE PAS faire fonctionner l'appareil dans un environnement corrosif ou contenant du chlore, du fluor ou autres agents chimiques dommageables. Référez à la section 1, paragraphe 5.2.

TABLEAU # 1  
Dégagements minimums d'installation des matériaux combustibles (Installation avec cheminée \*)

LOCALISATION	APPLICATION	OLB6 - OHB6 - OLR160 - OUF160 - NOUF160	OLB5 - OHB5 - OLR105 - OLF105 - NOLF105 - OUF105 - NOUF105
	Fournaise	1"	1"
Côté	Fournaise ou plénum	1"	1"
Arrière	Fournaise	18"	1"
Dessus	Fournaise ou plénum	2"	1"
Dessous	Fournaise - plancher combustible	0"	0"
Devant	Fournaise	24"	24"

\* Voir Section 1 partie 2.3, Dégagement minimum du système d'évacuation murale

### 4) ÉVACUATION

#### 4.1) Général :

Ces appareils de chauffage central peuvent être évacués de plusieurs façons:

##### Évacuation par une cheminée :

Lorsqu'installé avec un brûleur Beckett AFG ou Riello 40-F, l'appareil peut être évacué par une cheminée, avec ou sans clapet barométrique. L'appareil va fonctionner avec un tirage négatif au-dessus de la flamme et dans la cheminée.

L'appareil fonctionnera alors avec un tirage positif au-dessus de la flamme et dans la cheminée.

#### ! MISE EN GARDE

**Risque d'empoisonnement par oxyde de carbone, de feu et d'explosion.**

**Lire et suivre attentivement les instructions dans la partie suivante.**

**Si cette fournaise ou d'autres appareils ne sont pas adéquatement évacués, cela peut provoquer des dommages à la propriété, des blessures corporelles et/ou des pertes de vie.**

##### Évacuation murale :

Lorsqu'installé avec les brûleurs Beckett AFII ou Riello 40-BF munis de contrôles de pré et post purge intégrés, l'appareil peut être évacué de façon murale avec une efficacité maximale et ce, sans évacuateur.

#### ! MISE EN GARDE

**Risque d'empoisonnement par oxyde de carbone.**

**Ne jamais faire l'évacuation d'un autre appareil à combustion avec un évacuateur mural.**

**Il pourrait en résulter l'asphyxie ou/et la mort des occupants.**

#### 4.2) Évacuation par cheminée :

Lorsque les appareils de chauffage central à l'huile sont évacués par une cheminée, ils sont certifiés pour fonctionner avec des **événements de type "L"**, de type "A" et des cheminées avec un conduit en tuile, ou en tuile avec un revêtement métallique; Ils peuvent être évacués **avec ou sans** clapet de tirage barométrique. L'unité n'est toutefois pas certifiée pour fonctionner sans clapet barométrique si elle est co-évacuée avec un autre appareil fonctionnant à l'huile, comme un chauffe-eau par exemple.

##### Avec clapet :

L'appareil peut être installé avec une cheminée de dimensions et de températures adéquates, telles que spécifiées dans le code d'installation CSA B139. L'extrait correspondant du code se trouve dans la Section Dimensions du tuyau de fumée.

### Sans clapet :

Pour compenser les risques plus élevés de condensation dans l'évent, la cheminée doit être munie d'un revêtement. De plus, le revêtement doit être isolé selon les spécifications de son fabricant.

### Raccords d'évent :

Pour les installations sans clapet, les raccords d'évent devraient être aussi courts que possible et conçus soit pour mur double ou pour mur simple avec 1" d'isolant. La pente devrait augmenter d'au minimum 1/4" par pied entre l'appareil de chauffage central et la cheminée. Les raccords fabriqués sur place devraient avoir un minimum de 28 gauges. Les joints doivent être scellés mécaniquement pour qu'aucun produit de combustion ne puisse s'échapper par les joints.

### Dimensions du tuyau de fumée :

Le tableau suivant est extrait du code d'installation CSA B139. Cet extrait indique à la fois le diamètre permis pour le tuyau de fumée et la température minimum à la base d'une cheminée circulaire dont la résistance thermique est inférieure à R6 (6 pi<sup>2</sup> •h •°F / BTU).

### AVERTISSEMENT

Si l'appareil de chauffage central (installé avec une cheminée) est co-évacué avec d'autres appareils à combustion, tels qu'un chauffe-eau, il faudra aussi étudier les matériaux d'évacuation permis (i.e. événement de type L etc.) avec ces appareils.

## ! MISE EN GARDE

### Risque d'empoisonnement par oxyde de carbone.

**Ne jamais installer un volet manuel sur le tuyau d'évacuation. Cependant, un volet motorisé à fonctionnement automatique approuvé par une agence certifiée peut être installé, si désiré. Suivre les instructions d'installation fournies avec le volet motorisé. Lire et suivre toutes les instructions contenues dans cette section.**

**Si cette fournaise ou d'autres appareils ne sont pas adéquatement évacués, cela peut provoquer des dommages à la propriété, des blessures corporelles et/ou des pertes de vie.**

Lorsqu'un nouvel appareil, brûleur ou cheminée est installé, la dimension des événements de la cheminée et la température maximale de la fumée (mesurée à la virole de la cheminée, après que l'appareil a fonctionné 5 minutes avec le clapet barométrique en position fermée) doivent se conformer aux données indiquées dans le tableau # 2.

TABLEAU # 2

Capacité d'admission totale de tous les appareils connectés			Diamètre interne du tuyau à fumée (po.)		Température de base minimum (°F) selon la hauteur de la cheminée (pi)			
kW	kBTU/h	USGPH	Min.	Max.	11	20	28	36
21	70	0.50	3	5	300	400	535	725
27	91	0.65	3	5	275	340	430	535
31	105	0.75	4	5	260	320	380	475
36	119	0.85	4	5	250	300	355	430
41	140	1.00	4	6	225	300	365	430
51	175	1.25	4	6	240	275	320	365

**NOTE:** Valeurs de résistance thermique pour des cheminées typiques:

R2(2 pi<sup>2</sup> •h •°F / BTU) : cheminée en maçonnerie avec conduit en ardoise et un événement de type A  
R3(3 pi<sup>2</sup> •h •°F / BTU) : cheminée en maçonnerie avec conduit en ardoise et un revêtement  
R6(6 pi<sup>2</sup> •h •°F / BTU) : cheminée en maçonnerie avec conduit en ardoise ou en métal, et avec un isolant R4.5 (4.5 pi<sup>2</sup> •h •°F / BTU) entre la maçonnerie et le revêtement (ex: 2 po. de mica expansé ou un panneau de 1 3/8 po. de fibres de verre agglomérées à haute densité)

### Utilisation du tableau # 2

Supposons qu'un appareil de chauffage central avec un gicleur 0.60 USGPH doit être raccordé à une cheminée en maçonnerie de 20 pi. de haut avec un conduit en ardoise. La résistance thermique de ce type de cheminée est R2, donc inférieure à R6. L'allure de combustion réelle à 145 psig est donc 1.2 x .60 = .72. Par conséquent, les données du tableau qui s'appliquent sont les suivantes:

Le diamètre intérieur minimum permis est de 4 po.

Le diamètre intérieur maximum permis est de 5 po.

La température de base minimum devrait être d'environ 320°F.

### 4.3) Système d'évacuation murale DV-2000™ :

L'évacuation murale des appareils de chauffage central peut se faire sans évacuateur mécanique, grâce à la capacité de pression statique élevée des brûleurs à l'huile Beck&t AFII et Riello 40-BF. **L'air de combustion extérieur doit être directement branché au brûleur. Autrement, le système d'évacuation mural DV-2000™ ne fonctionnera pas.**

Les caractéristiques du système DV-2000 sont les suivantes:

- Certifié pour utiliser les matériaux suivants pour le tuyau d'entrée d'air: PVC DWV cédule 40, ABS DWV cédule 40 et tuyau pour fosse septique ASTM 2729.
- Une ouverture minimum de 6" de diamètre est requise dans le mur et l'évacuateur mural est conçu pour être installé entre des solives de 2 x 8.
- Contient un système d'arrêt de sécurité dans l'éventualité d'un blocage complet ou partiel de la sortie des gaz ou de l'entrée d'air. Ainsi, le brûleur arrête avant que l'indice de fumée soit de 1.

d. L'entrée d'air et la sortie sont accessibles pour le nettoyage.

Il y a trois composantes principales dans le système DV-2000 ; l'ensemble d'évacuateur mural VTK, le tuyau d'évacuation isolé IFV et le tuyau d'entrée d'air en PVC ou ABS 3" de diamètre.

#### L'évacuateur mural - DV-2000™

L'évacuateur mural permet l'installation sur un mur d'une épaisseur maximum de 14". L'ensemble contient les items suivants :

- 1 Évacuateur mural
- 2 Collet d'étanchéité
- 1 Bride d'évacuation
- 2 Bande scellante
- 1 Plaque mural intérieur
- 1 Détecteur de pression avec conduit
- 6 Vis autoperçante en acier inoxydable
- 2 Terminaux isolés à raccord rapide
- 3 Vis en acier inoxydable

#### Conduits flexibles isolés - DV-2000™

Les conduits flexibles disponibles en trois longueurs, Modèle No IFV3-15, IFV3-23 et IFV3-30 (ou IFV4-15, IFV4-23 et IFV4-30 pour 160 modèles) correspondent aux longueurs de 15', 23' et 30' de tuyau. La construction du conduit est de type coaxial et comprend un tuyau flexible intérieur en acier inoxydable de 4" de diamètre entouré d'une isolation qui est elle-même entourée du tuyau flexible extérieur en aluminium de 6" de diamètre. **Il est interdit de joindre deux bouts de conduit.** Les longueurs minimum et maximum sont :

5 pieds minimums

30 pieds maximums

**⚠ MISE EN GARDE**

**Risque d'empoisonnement par oxyde de carbone.**

**Même si le conduit flexible est isolé, il ne peut passer dans un espace non isolé (pas chauffé).**

**Ceci causerait de la condensation résiduelle qui peut, à long terme, perforer le conduit en acier inoxydable.**

TABLEAU # 3.1

Dégagement minimum du système d'évacuation murale (Modèles OLB5, OHB5, OLR105, OUF105, OLF105, NOUF105 et NOLF105)

SECTION DU CONDUIT D'ÉVACUATION	CANADA	ÉTATS-UNIS
Conduit d'évacuation, de la sortie de la fournaise jusqu'à un pied de la sortie de la fournaise*	1/4"	3"
Conduit d'évacuation, jusqu'à l'évacuateur mural*	ZÉRO	3"
Évacuateur mural	ZÉRO	ZÉRO

\*Le conduit ne doit pas passer dans une enceinte fermée.

TABLEAU # 3.2

Dégagement minimum du système d'évacuation murale (Modèles OHB6, OLB6, OLR160, OUF160, NOU160)

SECTION DU CONDUIT D'ÉVACUATION	CANADA	ÉTATS-UNIS
Conduit d'évacuation, jusqu'à l'évacuateur mural*	3"	3"
Évacuateur mural	ZÉRO	ZÉRO

\* Le conduit ne doit pas passer dans un enceinte fermé.

#### Considérations concernant l'installation – DV-2000™

Sélectionner l'emplacement de la sortie de l'évacuateur mural en respectant les codes locaux et nationaux. Les exigences suivantes doivent être considérées comme minimales et peuvent être remplacées par un code local ou national plus strict.

#### Un événement ne doit pas se terminer :

- a. Directement au-dessus d'un trottoir ou d'une entrée pavée, situés entre deux bâtiments et desservant ces deux bâtiments ;
- b. À moins de 7 pieds au-dessus de toute entrée pavée ;
- c. À moins de 6 pieds (au Canada) ou 4 pieds (aux États-Unis) d'une porte ou d'une fenêtre qui s'ouvre ou d'une ouverture destinée à l'approvisionnement en air d'un édifice ;
- d. À moins de 6 pieds (au Canada) ou 1 pied (aux États-Unis) du soffit du toit de la structure ;
- e. Au dessus d'un compteur de gaz ou d'un régulateur, ou à moins de 3 pieds du centre vertical du régulateur ;
- f. À moins de 6 pieds de toute sortie d'évent d'un régulateur de gaz ou à moins de 3 pieds de l'évent d'un réservoir d'huile ou de l'entrée pour le remplissage de l'huile ;
- g. À moins d'un pied au-dessus du niveau du sol ;
- h. À 6 pieds de toute entrée d'air pour la combustion ;
- i. À moins de 6 pieds de la limite du terrain ;
- j. Sous une véranda, un porche ou un patio ;

- k. Avec les gaz de combustion dirigés vers des matériaux combustibles ou vers toute ouverture des édifices avoisinants, situés à moins de 6 pieds ;
- l. À moins de 3 pieds du coin intérieur d'une structure en L ;
- m. Avec le dessous de l'ouverture de l'extrémité de l'évent située à moins d'un pied au-dessus de toutes surfaces pouvant porter de la glace, de la neige ou des débris ;
- n. Avec les gaz de combustion dirigés vers de la maçonnerie de brique, un recouvrement ou autre construction qui pourrait être endommagée par la chaleur ou la condensation des gaz de combustion.

#### AVERTISSEMENT

La majorité des codes ont une clause mère énonçant que les produits de combustion ne doivent pénétrer dans l'habitation sous aucunes circonstances et ce, même si toutes les autres exigences du code concernant la construction et l'emplacement ont été respectées. L'installateur a la responsabilité ultime de prendre toutes les mesures nécessaires pour s'assurer que les produits de combustion ne peuvent pas s'introduire dans les espaces habités.



FIGURE # 1.1



FIGURE # 1.2

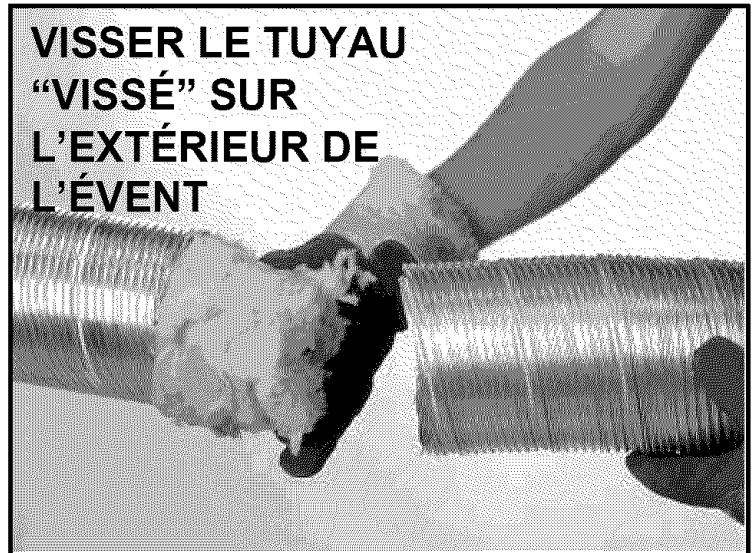


FIGURE # 1.3



FIGURE # 1.4



FIGURE # 1.5



FIGURE # 1.6



FIGURE # 1.7



FIGURE # 1.8

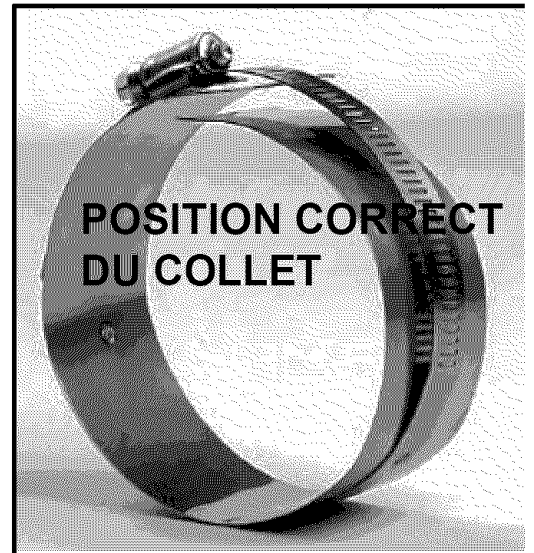


FIGURE # 1.9



FIGURE # 1.10



FIGURE # 1.11

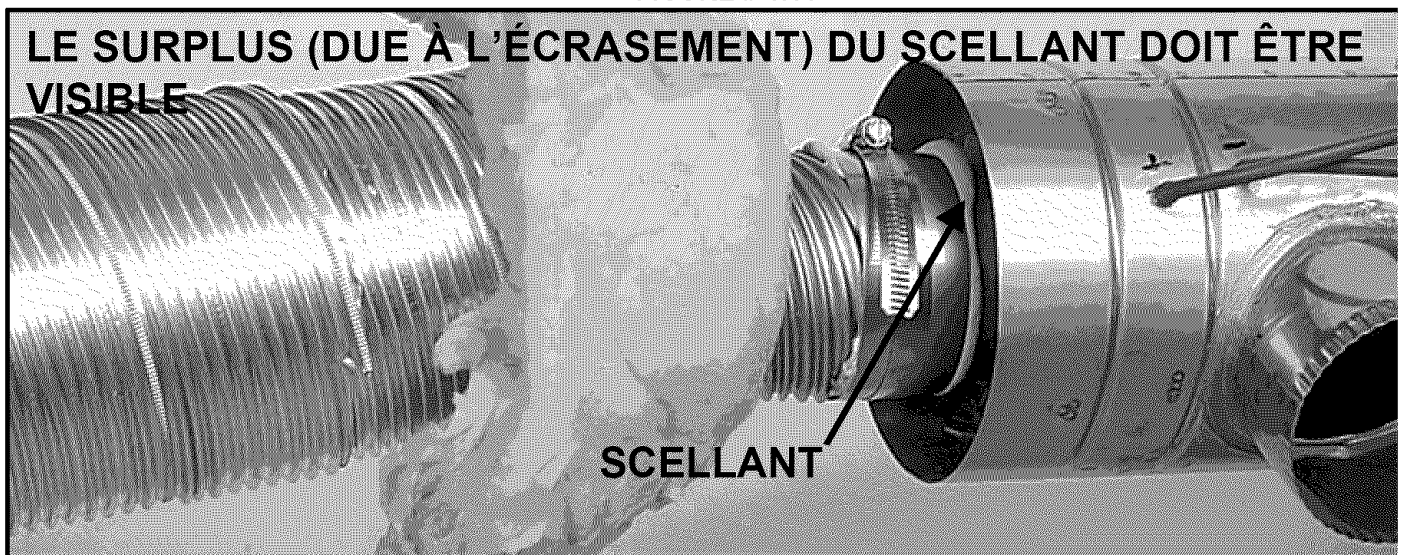


FIGURE # 1.12

**DÉPLACER LE TUYAU "VISSÉ" LE PLUS LOIN POSSIBLE DANS L'ÉVACUATEUR**



**INTERRUPTEUR DE L'ÉVACUATEUR MURAL.  
RÉFÉRER AU DIAGRAMME ÉLECTRIQUE POUR LE  
BRANCHEMENT.**

FIGURE # 1.13

**INSTALLER LE  
STABILISATEUR**



FIGURE # 1.14

**APPLIQUER UN SCELLANT  
AUTOUR DU STABILISATEUR**



**! MISE EN GARDE**

**Danger de coupures.**

**Toujours porter des gants et des lunettes protectrices lors de l'installation.**

**Couper le conduit flexible peut laisser des parties coupantes sur le tuyau et celles-ci peuvent blesser l'installateur qui n'y porte pas attention.**

**Branchement à la sortie de la fournaise - DV-2000™**

1. Enlever la bride qui est sur la fournaise en enlevant les écrous en laiton.
2. Déterminer dans quelle direction le conduit ira. Ensuite, installer la bride fournie avec l'ensemble d'évacuation directe VTK pour que le conduit d'accès de mesure de la pression soit accessible une fois l'installation terminée. Cependant, ne pas installer ce conduit pointant vers le bas. Serrer les écrous en laiton.
3. Enlever le tuyau flexible de diamètre un peu plus élevé ("tuyau vissé") qui est au-dessus l'évent flexible en le "dévissant".
4. Couper un bout de 12 pouces de longueur du "tuyau vissé" (voir fig. # 1.1). Une fois que toute la circonférence est coupée, coupé le matériel qui reste avec des ciseaux à métal (voir fig. # 1.1).
5. Avec des ciseaux à métal, enlever 5" au tuyau extérieur en aluminium (voir fig # 1.1). Faire bien attention que la coupure soit droite et sans bavure car le "tuyau vissé" doit aller à cet endroit.
6. Visser le "tuyau vissé" de 12 pouces par-dessus le tuyau d'aluminium (voir fig. # 1.3) jusqu'à une distance d'environ 10 pouces de l'extrémité de l'évent.
7. Couper le tuyau de 3 pouces en acier inoxydable sur environ 3 pouces. À ce moment environ 3 pouces de l'isolation excédera le tuyau en acier inoxydable (voir fig. # 1.4)
8. Pousser aussi loin que possible le tuyau en acier inoxydable sur la bride de la fournaise (voir fig. # 1.5). Le fixer à la sortie avec trois vis autoperçantes #8x1/2" fournies (voir fig. # 1.6) et disposé à égale distance autour du tuyau. De plus, les vis doivent être de 3/8" à 5/8" de l'extrémité du tuyau et visser dans un creux du tuyau. Ceci assurera une étanchéité parfaite lors des prochaines opérations.
9. Appliquer le scellant fourni, à l'extrémité du tuyau en acier inoxydable (voir fig. # 1.7). La partie centrale du scellant doit être vis-à-vis l'extrémité du tuyau en acier inoxydable. Faire le tour complet du tuyau plus 1/2" (double épaisseur à cet endroit). Recouvrir les têtes de vis autoperçantes de l'étape précédente avec le scellant.
10. Vérifier que les collets en acier inoxydable fournis sont bien dans la bonne position pour un serrage adéquat (voir fig. # 1.8). Positionner le collet de serrage vis-à-vis le scellant et serrer suffisamment pour qu'il s'écrase (voir fig. # 1.9). Ce joint est permanent et le nettoyage doit se faire en enlevant les quatre écrous qui fixe la bride à l'appareil.

11. Pousser l'isolation vers la bride. Déplacer le "tuyau vissé" vers la bride le plus loin possible. L'autre extrémité du "tuyau vissé" doit être caché avec du ruban d'aluminium pour enlever les bavures et éviter les coupures. (voir fig. # 1.10)

**Branchement à l'évacuateur mural - DV-2000™**

1. Couper une longueur de 12" du "tuyau vissé" semblable à celle coupée à l'étape précédente.
2. Effectuer les mêmes étapes que précédemment (pour la partie de l'évent sur l'appareil) pour finalement obtenir ce qui est montré aux figures # 1.11 et 1.12.
3. Donner à l'évent l'angle voulu pour sortir vers l'extérieur à l'endroit voulu.

**Installation de l'évacuateur au mur - DV-2000™**

1. Faire un trou de 6" de diamètre dans le mur en considérant les restrictions des sections précédentes.
2. Fixer la plaque murale sur le mur intérieur avec des vis appropriées fournies par l'installateur. Prendre note que le support du détecteur de pression doit être enlevé pour atteindre la vis supérieure droite de la plaque murale. Installer la plaque murale pour que la partie supérieure du trou dans la plaque soit à 1/8" de la partie supérieure du trou dans le mur. Ceci assurera l'inclinaison requise de l'évacuateur de l'intérieur vers l'extérieur.
3. Enlever les deux vis qui fixent le cône de l'évacuateur et l'enlever.
4. Enlever les deux vis qui fixent le stabilisateur de l'évacuateur et l'enlever.
5. Passer la partie principale de l'évacuateur à travers le mur et la laisser dépasser de 2" du côté extérieur.
6. Installer le stabilisateur de l'évacuateur (voir fig. # 1.13).
7. Pour les murs de ciment, il est possible que le stabilisateur ne couvre pas toutes les irrégularités du trou dans le mur. Il est possible d'installer une plaque murale en acier inoxydable (304, 316 ou 316L) fournie par l'installateur.
8. Appliquer un scellant (silicone) à l'endroit où le stabilisateur rencontre la partie principale de l'évacuateur (tuyau).
9. Appliquer un scellant adhésif sur la partie arrière du stabilisateur et pousser fermement le stabilisateur contre le mur. **S'assurer que le détecteur de pression est situé sur le dessus, en position horizontale.**
10. Avec les 3 vis en acier inoxydable de 2" fournies, fixer le tout en place mais en poussant vers le bas pour assurer l'inclinaison requise. Ne pas trop serrer les vis pour ne pas déformer le stabilisateur. Les vis ne sont pas requises pour les murs de ciment.
11. Serrer le collet de la plaque murale intérieure pour fixer le tout en place.
12. Appliquer suffisamment de scellant autour du stabilisateur pour avoir un joint étanche (voir fig. # 1.14).
13. Installer le cône avec les 2 vis.
14. L'inclinaison de l'évacuateur doit être de 1/4" à 1/2" pour que le drainage (de l'intérieur vers l'extérieur) soit efficace dans l'évacuateur.

## Branchement du tuyau d'entrée d'air sur l'évacuateur - DV-2000™

Référez à la section 3.2, Air de Combustion extérieur- Évacuateur mural, DV-2000™.

## 5) APPROVISIONNEMENT EN AIR DE COMBUSTION



### MISE EN GARDE

**Risque d'empoisonnement par oxyde de carbone.**

Référez aux codes d'installation des appareils au mazout ANSI/NFPA (aux États-Unis) ou CSA (au Canada) et aux codes locaux pour fournir l'air de combustion et de ventilation.

Une quantité insuffisante d'air de combustion peut occasionner une flamme malpropre, des odeurs dans la maison, le refoulement des appareils de combustion et peut entraîner des nausées ou l'asphyxie ou/et la mort des occupants.

### 5.1) Généralités :

Les appareils de chauffage central nécessitent un approvisionnement adéquat en air de combustion. Il est fréquent de considérer que les vieilles maisons comportent suffisamment d'infiltrations d'air pour combler les besoins en air de combustion de l'appareil de chauffage central. Toutefois, les projets d'améliorations telles les nouvelles portes et fenêtres et le calfeutrage ont dramatiquement réduit le volume des infiltrations d'air pénétrant dans les maisons.

Les systèmes d'échappement d'air de la maison sont fréquents. Les ventilateurs de cuisine et de salles de bain, les sècheuses électriques et les chauffe-eau tendent tous à créer une pression négative dans la maison. Si une pression négative se produit dans la maison, la cheminée devient de moins en moins efficace et peut facilement refouler l'air.

Les systèmes de récupération de chaleur gagnent en popularité. Ces systèmes ne sont pas conçus pour approvisionner de l'air de combustion. Si le système de récupération de chaleur n'est pas bien équilibré, une forte pression négative peut se produire.

### 5.2) Air de Combustion contaminé :

L'installation dans certain environnement ou bâtiment peut augmenter les risques d'exposition aux agents chimiques ou halogène qui peuvent endommager l'unité. Celles-ci requièrent un apport d'air de combustion extérieur. Les environnements ou bâtiments suivant peuvent contenir ou être exposés à la substance décrite plus bas. L'installation doit être évaluée attentivement pour vérifier si l'air de combustion doit provenir de l'extérieur.

- Bâtiments commerciaux
- Bâtiments avec piscines intérieures
- Appareil installé à proximité de zones d'entreposage d'agent chimique

Exposition à ces agents chimiques:

- Solution pour cheveux

- Cires et nettoyant à base de chlore
- Agent chimique pour piscine à base de chlore
- Agent chimique adoucisseur d'eau
- Sels ou agent chimique pour le déglacage
- Tétrachlorure de carbone
- Fluides frigorigènes halogénés
- Solvant de nettoyage (perchloroéthylène)
- Encre pour l'impression, diluant à peinture, vernis, etc.
- Acide chlorhydrique
- Colles à base de solvant
- Adoucisseur antistatique pour sècheuse à linge
- Acide de nettoyage pour maçonnerie

### 5.3) Approvisionnement en air de combustion extérieur :

Trois types de brûleurs sont possible pour prendre l'air de combustion à l'extérieur et l'acheminer directement, par conduit, au brûleur: le brûleur Beckett AFI et Riello 40-BF pour une évacuation murale et le Beckett AFG pour une évacuation par la cheminée. Le brûleur Riello 40-F ne peut pas être utilisé de cette façon.

#### AVERTISSEMENT

L'utilisation de l'air de combustion acheminé de l'extérieur est **obligatoire** avec les installations à évacuation murale. Ce système fonctionne selon le principe de la combustion scellé et il ne fonctionnera pas adéquatement si un conduit acheminant l'air de l'extérieur n'est pas connecté directement au brûleur de l'appareil.

#### Air de combustion extérieur – évacuation par cheminée

Les ensembles suivants sont homologués pour être utilisés avec l'appareil. Les ensembles de composantes offrent un important dispositif de sécurité, la soupape casse-vide. En fonctionnement normal, le brûleur s'approvisionne en air à l'extérieur. Par contre, si la sortie d'approvisionnement est partiellement ou complètement bloquée par de la glace, de la neige, etc., la soupape casse-vide s'ouvre pour laisser passer une partie de l'air de l'habitation dans le brûleur, maintenant ainsi une combustion adéquate. Une fois le blocage enlevé, la soupape casse-vide se referme et le brûleur prend à nouveau son air entièrement de l'extérieur.

**CAS-2B** Cet ensemble inclut l'extrémité d'approvisionnement, la soupape casse-vide et le raccord pour l'air du brûleur AFG. Il peut être utilisé avec un conduit en acier galvanisé rigide ou en aluminium flexible de 4". Il est recommandé d'isoler la section qui part de l'entrée d'air jusqu'à une distance de 5 pieds du brûleur pour éviter la condensation à l'extérieur du tuyau.

#### AVERTISSEMENT

L'ensemble CAS-2B ne convertit pas l'appareil de chauffage central en un système à évacuation directe. La structure du bâtiment doit fournir suffisamment d'air de combustion à la **soupape casse-vide** puisque le brûleur prendra son air de combustion de la soupape casse-vide si l'entrée d'approvisionnement est bloquée. Par conséquent, suivre les codes d'installation pour une évacuation avec cheminée.

**CAD-1** L'ensemble des conduites d'air inclut 25 pieds de conduites à air isolées de type UL/ULC classe 1 et deux colliers de serrage de 4" en acier. La conduite est constituée d'un noyau en aluminium ondulé entouré d'un isolant en fibre de verre lui-même

couvert d'un coupe-vapeur en vinyle. La longueur maximale de conduite permise est de 25 pieds.

Des instructions détaillées sont fournies avec les ensembles d'approvisionnement en air de combustion extérieur.

#### Air de combustion extérieur – évacuateur mural DV-2000™

Le système d'évacuation DV-2000 est un système de combustion scellé ayant pour effet d'isoler la fournaise par rapport à l'intérieur du bâtiment. Le brûleur n'est donc pas affecté par une variation de la pression dans le bâtiment et est idéal pour être utilisé dans des constructions très étanches.

Le système d'évacuation DV-2000 requière des pièces additionnelles qui ne sont pas incluses dans l'ensemble. Elles doivent être de 3" de diamètre et constituées d'un des matériaux suivant: PVC, PVC-SWV, SDR-26, SDR-21, ABS ou tuyau de fausse septique. Un scellant adéquat pour le matériel doit être utilisé. De plus, les procédures d'installation, les conduits et les raccords doivent être conformes aux normes ANSI/ASTM suivantes:

PVC	ASTM D-1785
SDR26, SDR21	ASTM D-2241
Tuyau de fausse septique	ASTM D-2729
PVC-DWV	ASTM D-2665
Adhésif PVC	ASTM D-2564
ABS tuyau et raccord	ASTM D-2235
Procédure de collage des joints	ASTM D-2855

#### Autres pièces requises (pas incluses dans l'ensemble VTK)

- Coudes de 3 po. de diamètre
- Tuyau de 3 po. de diamètre
- Coude 90° de 3" (femelle-femelle) pour l'évacuateur
- Réducteur 3 po. femelle à 2 po. femelle (brûleur Riello BF seulement)
- Coude 90° 2 po. de diamètre (street type) femelle-mâle (brûleur Riello BF seulement)
- Adaptateur 3 po. femelle-femelle en PVC ou ABS (conduit de fausse septique exclu) (brûleur Beckett AFII-85 seulement)
- Deux raccords de transition entre l'ABS ou PVC et le tuyau fausse septique ASTM D-2729 (si applicable)

Si le PVC est utilisé avec l'ABS, utiliser un scellant qui est approuvé pour les deux types de plastique.

#### Longueur de conduit - DV-2000™

Le système d'évacuation mural DV-2000 a été approuvé pour être utilisé avec une longueur équivalente maximum de 120 pieds de conduit 3" de diamètre. Un coude de 90° est équivalent à une longueur de 10 pieds et un code de 45° à une longueur de 5 pieds.

Par exemple:

1	5' de longueur	= 5	pieds équivalants
2	10' de longueur	= 20	pieds équivalants
3	Coude 90°	= 30	pieds équivalants
2	Coude 45°	= 10	pieds équivalants
1	Coude 90°	= 10	pieds équivalants
1	Coude 90°	= 10	pieds équivalants

-----  
total = 85 pieds équivalent, ce qui est acceptable.

#### Installation du tuyau d'entrée d'air - DV-2000™

Commencer par installer les conduits au brûleur. Si le vestibule optionnel est utilisé, enlever les débouchures (knock-out) appropriés sur les panneaux de côté du vestibule. La plus basse débouchure sur le panneau de droite est utilisé pour le brûleur Beckett AFII. Les plus hautes débouchures sur les panneaux de gauche et de droite sont utilisés pour le brûleur Riello 40-BF.

#### Brûleur Beckett AFII

Enlever le couvert de l'entrée d'air du brûleur en enlevant les trois vis qui le tiennent en place. Appliquer du scellant (silicone) sur un adaptateur de 3" et insérer la partie avec le scellant dans l'ouverture du brûleur. Solidifier avec 3 vis à métal autoperçante.

#### Brûleur Riello 40-BF

Insérer la partie femelle d'un coude 90° de 2" de diamètre dans l'ouverture sur le dessus du brûleur prévue à cette fin. Solidifier avec 3 vis à métal autoperçante. Coller la partie de 2" femelle du réducteur 3 po. femelle à 2 po. femelle sur la partie mâle du coude 90°. Si ces pièces ne sont pas disponibles, il est toujours possible d'utiliser un coude 90° de 3" de diamètre avec la partie mâle dans l'ouverture d'air de combustion. L'utilisation de silicone est ici nécessaire pour assurer l'étanchéité. Solidifier avec 3 vis à métal autoperçantes.

#### Connection à l'évacuateur

Insérer le coude 90° femelle-femelle sur le raccord de l'entrée d'air en acier inoxydable de l'évacuateur situé sur le côté droit de l'évacuateur. Solidifier avec 3 vis à métal autoperçantes.

#### Conduit intermédiaire

S'assurer que le conduit est supporté adéquatement et selon les codes locaux et nationaux. Lors de l'installation du conduit, respecter les distances minimums entre la fournaise et le conduit (distance minimum entre la fournaise et les matériaux combustibles).

## 6) RÉSERVOIRES D'HUILE ET ACCESSOIRES

Consulter les codes locaux et nationaux pour l'installation des réservoirs et accessoires.

Au début de chaque saison de chauffage ou chaque année, vérifier le système de distribution d'huile au complet pour la présence de fuite.

Une valve d'arrêt manuel et un filtre à l'huile doivent être installés dans cet ordre à partir du réservoir vers le brûleur. S'assurer que le conduit d'huile est propre avant de faire le raccordement au brûleur. Le conduit d'huile doit être protégé pour éviter un dommage à celui-ci. Les installations ayant un réservoir d'huile situé sous le niveau du brûleur doivent utilisées une ligne de retour d'huile vers le réservoir avec une pompe approprié (une élévation de 8' et plus requière une pompe deux stage et une élévation de plus de 16' une pompe auxiliaire.

Suivre les directives d'installation de la pompe pour déterminer la dimension du conduit à utiliser en fonction de l'élévation du brûleur et de la distance horizontale à parcourir.

## 7) INSTALLATION DU BRÛLEUR

#### Installation du brûleur :

- Les appareils de chauffage central à air chaud ont une plaque de montage comportant 4 boulons.
- Positionner le joint d'étanchéité entre cette plaque de montage et la bride du brûleur. Aligner les trous de la bride du brûleur avec les boulons sur la plaque de montage de l'appareil et fixer le brûleur avec les écrous fournis.

#### Une fois le brûleur installé :

- Retirer le tiroir du brûleur ou l'assemblage ligne d'huile et électrode
- Installer le gicleur (voir les spécifications)
- Vérifier le réglage des électrodes
- Compléter les connexions électriques
- Finaliser les raccordements à la ligne d'huile

## AVERTISSEMENT

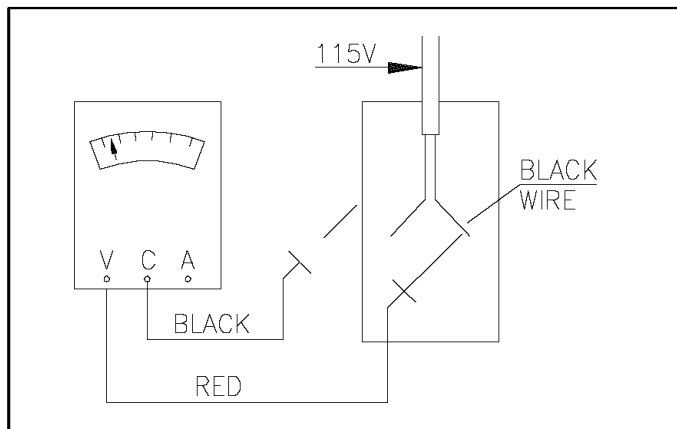
Ne pas mettre le brûleur en marche avant d'avoir vérifié la polarité.

### Vérification de la polarité :

Les brûleurs à l'huile utilisés avec les appareils de chauffage central sont munis de systèmes de contrôle semi-conducteurs qui sont sensibles à la polarité des fils électriques neutre et sous tension. Les contrôles seront endommagés si ces deux fils sont renversés.

- Régler l'échelle de tension de votre voltmètre.
- Installer une sonde à la mise à la terre de la boîte électrique et l'autre sonde sur le fil noir.
- Mesurer la tension.
- Si la tension est nulle, vérifier le fil blanc. S'il y a une tension, inverser les fils de 115 volts branchés à la boîte de jonction de l'appareil de chauffage central.
- Si vous n'avez pas accès à un voltmètre, utiliser un témoin lumineux.

FIGURE # 2



### Gicleurs :

Le gicleur approprié est fourni et installé avec le brûleur. Toutefois, si un gicleur de dimension différente ou un remplacement sont requis, utiliser les données concernant l'angle de pulvérisation, le type de gicleurs et leur fabricant. (voir tableaux # 4.1, # 4.2 ou # 4.3). Noter que les calibres des gicleurs sont basés sur une pression de la pompe de 100 psi.

Pour sélectionner le calibre du gicleur, toujours calculer le débit désiré à la pression réelle et déduire le calibre équivalent.

### Réglage de l'air et du turbulateur :

Avant de démarrer le brûleur pour la première fois, régler l'air et le turbulateur selon les réglages. (voir tableaux # 4.1, # 4.2 ou # 4.3). Une fois le brûleur en marche, des ajustements fins seront requis.

### Système d'approvisionnement en combustible :

Spécification d'huile

**NOTE:** Utiliser de l'huile à chauffage No.1 ou No.2 (ASTM D396) ou au Canada de l'huile fournaise No.1 et No.2.

Avant de démarrer le brûleur s'assurer que le réservoir d'huile est rempli avec de l'huile propre.

## ! MISE EN GARDE

### Risque de feu ou d'explosion

Utilisé seulement de l'huile à chauffage approuvé. **NE PAS UTILISER** de l'essence, du kérosène ou des huiles usées.

Leur utilisation peut entraîner la mort ou des dommages corporels et/ou à la propriété.

## IMPORTANT

Lorsqu'un gicleur d'une dimension de 0.75 USGPH ou moins est utilisé, un filtre d'une dimension de 10 microns ou moins doit être installé sur la ligne d'huile. Ceci doit être suivi pour que la garantie de l'échangeur de chaleur soit valide.

**NOTE:** Il est possible que lors du premier démarrage de l'unité qu'une légère odeur soit perceptible. Ce phénomène disparaîtra après quelques temps. Ceci est occasionné par la dégradation de l'huile contenue sur les pièces pour la fabrication.

## 8) INSTALLATION DES ACCESSOIRES

## ! MISE EN GARDE

### Risque de décharge électrique

Interrompre le courant électrique (OFF) au panneau électrique avant d'effectuer un raccordement électrique et s'assurer qu'une mise à la terre est installée avant de mettre l'appareil sous tension.

Si cette manipulation n'est pas effectuée, il pourrait en résulter un dommage à la propriété, un dommage corporel ou la mort.

### 8.1) Filtre à air électronique :

Des fils sont fournis pour conduire le courant de 115 volts @ 0.5 Amp maximum au filtre à air électronique (EAC). Comme un courant électrique vers le EAC est disponible en tout temps, un commutateur de détection de débit doit être incorporé quand l'EAC est branché dans la boîte de contrôle de l'appareil de chauffage central. La plupart des EAC récents ont un commutateur de détection de débit intégré. Brancher le filtre comme montré à la figure #6, Diagramme électrique.

### 8.2) Humidificateur :

Des fils sont fournis pour conduire le courant électrique de 115 volts @ 1.0 Amp maximum au transformateur alimentant l'humidificateur. L'humidificateur est alimenté dès que le ventilateur fonctionne en mode chauffage. Brancher l'appareil comme montré à la figure # 6, Diagramme électrique.

### 8.3) Air climatisé :

Un climatiseur peut être installé sur l'alimentation d'air seulement. De plus, un espace minimum de 6 po. est requis entre le dessous du serpentin de climatisation et le dessus de l'échangeur de chaleur. Brancher l'appareil comme montré à la figure # 6, Diagramme électrique.

### 8.4) CONDUIT DE VENTILATION ET FILTRE

#### Installation :

Construire et installer le système de distribution d'air conformément avec les méthodes approuvées et conforme aux codes locaux et nationaux.

Lorsque les conduits d'alimentation d'air transporte l'air dans un autre espace que celui où la fournaise est installée, les conduits de retour doivent être étanche et aussi diriger dans un autre espace que celui de l'appareil.

Installer le serpentin de climatisation (évaporateur) du côté de l'alimentation en air chaud de l'appareil.

Si un cabinet souffleur avec serpentin de climatisation (évaporateur) est utilisé, installer des volets de contrôle de débit d'air étanche. L'air froid venant de l'évaporateur et passant à travers la fournaise peut causer de la condensation et réduire la durée de vie de l'échangeur de chaleur.

#### AVERTISSEMENT

Les volets (fournis sur place) doivent être motorisé et automatique.

### ⚠ MISE EN GARDE

#### Risque d'intoxication au monoxyde de carbone

**NE PAS installer de retour d'air dans un placard ou une salle de rangement. Le conduit de retour d'air DOIT être étanche sur la fournaise.**

**Le fait de ne pas avoir de conduit étanche peut occasionner la mort, les dommages corporels et/ou des dommages à la propriété.**

### ⚠ MISE EN GARDE

#### Risque d'intoxication au monoxyde de carbone

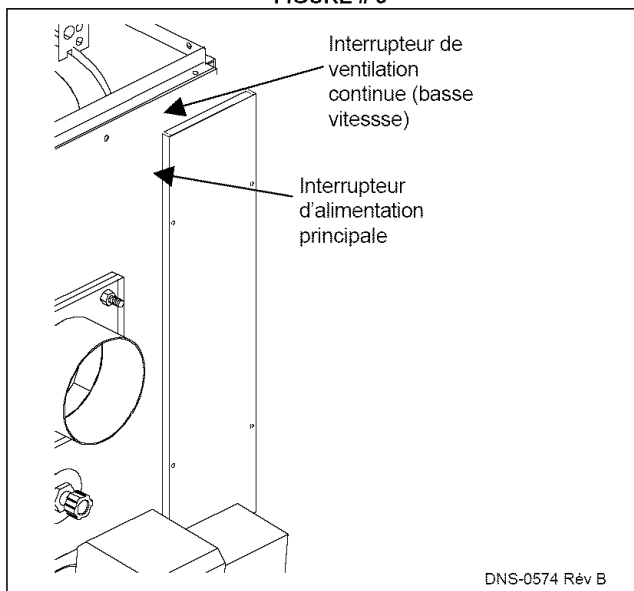
**Installer un serpentin de climatisation (évaporateur) du côté des conduits d'alimentation en air chaud.**

**Un serpentin installé du côté du retour d'air peut causer de la condensation et un bris prématuré de l'échangeur de chaleur. Ceci peut occasionner la mort, des dommages corporel et/ou des dommages à la propriété.**

## SECTION 2 OPÉRATION

### 1) INTERRUPTEUR D'ALIMENTATION PRICIPAL

FIGURE # 3



### 2) SÉQUENCE DE FONCTIONNEMENT

#### 2.1) Séquence de fonctionnement - Beckett AFII, Évacuation murale :

1. Un cavalier tient le contact T-T du relais de combustion fermé.
2. Les contacts normalement ouverts (W-R) se ferment quand le thermostat fait une demande de chauffage.
3. Le moteur du brûleur démarre et une étincelle est déclenchée. Le ventilateur du moteur du brûleur fait une pré-purge de 15 ou 20 secondes dans la chambre de combustion, démarrant le cycle de l'air de combustion.
4. La valve solénoïde s'ouvre, permettant à l'huile de circuler dans le gicleur.
5. Les gouttelettes d'huile s'enflamment au contact de l'étincelle créée par les électrodes.
6. Les cellules CAD détectent la flamme et le brûleur continue de fonctionner.
7. Le ventilateur de circulation d'air démarre dès que le contrôle du ventilateur détecte la température de démarrage, réglée à l'usine.



8. Le ventilateur de circulation d'air, le moteur du brûleur et le transformateur d'allumage restent en marche jusqu'à ce que la demande du thermostat soit satisfaite. La valve solénoïde reste également ouverte.
9. La demande du thermostat est satisfaite, les contacts W-R ouvert.
10. Le courant au brûleur est mis hors tension, la valve solénoïde se ferme, le ventilateur du brûleur fait une post-purge dans la chambre de combustion pendant un temps prédéterminé de 30 secondes à 4 minutes. L'allumage du transformateur continue de produire des étincelles pendant cette période de temps.
11. Durant le cycle de post-purge, le contrôle limite bimétallique du ventilateur se refroidit jusqu'à 90°F (température réglée en usine) et le ventilateur de circulation d'air s'éteint.

## 2.2) Séquence de fonctionnement - Riello 40-BF, Évacuation murale :

1. Les contacts normalement ouverts (W-R) se ferment quand le thermostat fait une demande de chauffage.
2. Le moteur du brûleur démarre. Le ventilateur du moteur du brûleur fait une pré-purge de 10 secondes dans la chambre de combustion, démarrant le cycle de l'air de combustion. Durant ce temps, la pression du serpentin dans la valve solénoïde est d'environ 100 psig.
3. La valve solénoïde s'ouvre, permettant à l'huile de circuler dans le gicleur. Au même moment, il y a ignition aux électrodes.
4. Les gouttelettes d'huile s'enflamment au contact de l'étincelle.
5. La cellule au cadmium détecte la flamme et le brûleur continue de fonctionner.
6. Le ventilateur de circulation d'air démarre dès que le contrôle du ventilateur détecte la température de démarrage, réglée à l'usine.
7. Le ventilateur de circulation d'air, le moteur du brûleur et le transformateur d'allumage restent en marche jusqu'à ce que la demande du thermostat soit satisfaite. La valve solénoïde reste également ouverte.
8. La demande du thermostat est satisfaite, les contacts W-R ouvert.
9. La valve solénoïde se ferme, le ventilateur du brûleur fait une post-purge de 0 à 6 minutes dans la chambre de combustion.
10. Durant le cycle de post-purge, le contrôle du ventilateur se refroidit jusqu'à 90°F (température réglée en usine) et le ventilateur de circulation d'air s'éteint.

**NOTE:** Quand les contacts du relais du brûleur sont en position ouverte, le Riello 40-BF fait une post-purge dès qu'un courant électrique de 115 volts est appliqué au brûleur.

## 2.3) Séquence de fonctionnement - Beckett AFG et Riello 40-F avec cheminée :

1. Un cavalier tient le contact T-T du relais de combustion fermé (brûleur AFG seulement)
2. Les contacts normalement ouverts (W-R) se ferment quand le thermostat fait une demande de chauffage.

3. Brûleur AFG : Le moteur démarre et une étincelle est déclenchée. La pression augmente dans la pompe et la soupape de sûreté à ressort s'ouvre, laissant l'huile circuler dans le gicleur.
4. 40-F : Le moteur du brûleur démarre. Le ventilateur du brûleur fait une pré-purge de 10 secondes dans la chambre de combustion, démarrant le cycle de l'air de combustion. Durant ce temps, la pression du serpentin dans la valve solénoïde est d'environ 100 psig. La valve solénoïde s'ouvre, permettant à l'huile de circuler dans le gicleur. Au même moment, il y a ignition aux électrodes.
5. Les gouttelettes d'huile s'enflamment au contact de l'étincelle.
6. La cellule au cadmium détecte la flamme et le brûleur continue de fonctionner.
7. Le ventilateur de circulation d'air démarre dès que le contrôle du ventilateur détecte la température de démarrage, réglée à l'usine.
8. Le ventilateur de circulation d'air et le moteur du brûleur fonctionnent jusqu'à ce que la demande du thermostat soit satisfaite. Le transformateur d'ignition reste en fonction (AFG). La valve solénoïde reste également ouverte (F40).
9. La demande du thermostat est satisfaite.
10. Les contacts du relais s'ouvrent, la valve solénoïde se ferme (F40), le moteur du brûleur s'éteint. Le transformateur d'allumage cesse de produire des étincelles (AFG).
11. Durant le cycle de post-purge, le contrôle du ventilateur se refroidit jusqu'à 90 °F (température réglée en usine) et le ventilateur de circulation d'air s'éteint.

## 2.5) Séquence de fonctionnement, système d'évacuation DV-2000™

### Fonctionnement normal :

1. Avant une demande de chauffage, les contacts de l'interrupteur (détecteur) de la pression sont fermés
2. À la demande de chauffage, le moteur du brûleur part et crée une succion dans les conduits d'alimentation en air et une pression dans l'appareil et les conduits d'évacuation.
3. La pression d'ajustement (pression différentielle) de l'interrupteur de pression n'est pas dépassée et les contacts de l'interrupteur restent fermés jusqu'à la fin de la demande de chauffage.

### Fonctionnement anormal :

#### Démarrage :

1. À la demande de chauffage, le moteur du brûleur part et crée une succion dans les conduits d'alimentation en air et une pression dans l'appareil et les conduits d'évacuation.
2. S'il y a une restriction à l'entrée d'air ou à la sortie des gaz qui cause une pression différentielle différente des pressions d'ajustement de l'interrupteur de pression, le circuit électrique du thermostat s'ouvre et le brûleur effectuera un " post-purge " de 2 minutes (Riello) ou 6 minutes (Beckett) pour ensuite s'arrêter. Ce cycle continuera jusqu'à ce que la pression différentielle " acceptable " soit obtenue.
3. Aussitôt les conditions normales d'opération obtenues, l'appareil repartira de lui-même. Sinon, un technicien qualifié devra vérifier l'installation.

#### Durant l'opération :

S'il y a une restriction à l'entrée d'air ou à la sortie des gaz qui cause une pression différentielle différente des pressions d'ajustement de l'interrupteur de pression, le circuit électrique du thermostat s'ouvre et le brûleur s'arrêtera et effectuera un " post-purge " de 2 minutes (Riello) ou 6 minutes (Beckett) pour ensuite s'arrêter. Le cycle décrit à la section précédente s'effectuera temps qu'il n'y aura pas de changement dans les conditions d'opération.

### 3) VÉRIFICATIONS ET AJUSTEMENTS

#### 3.1) Général :

Au moment de l'installation initial et des services d'entretien annuel, la fournaise doit être inspecter parfaitement.

Ouvrir l'adaptateur de purge d'huile sur la pompe à l'huile et démarrer le brûleur. Permettre à l'huile de s'écouler environ 10 secondes. Fermer lentement l'adaptateur, l'huile devrait couler absolument libre de bulle d'air indiquant qu'il n'y a pas introduction d'air dans la ligne d'entrée d'huile (suction). Fermer l'adaptateur de purge et la flamme s'allumera. Ajuster la pression d'huile selon les spécifications techniques de ce manuel.

#### **IMPORTANT**

Le brûleur doit fonctionner au moins 10 minutes avant d'effectuer une lecture (test) pour l'ajustement de l'appareil. Effectuer les ajustements selon les spécifications techniques contenues dans ce manuel.

#### 3.2) Démarrage après défaillance du brûleur:

1. Ajuster le thermostat en bas de la température ambiante.
2. Pousser le bouton de réarmement du contrôle primaire du brûleur
3. Pour les applications avec évacuateur mural ou avec un brûleur Riello. Ajuster le thermostat au dessus de la température ambiante pour une période de 10 secondes et ajuster à nouveau en dessous de la température ambiante. Ceci permettra de mettre le brûleur en mode "pré-purge". Répéter deux fois.
4. Ajuster le thermostat au dessus de la température ambiante.
5. Si l'allumage ne s'effectue pas, couper l'alimentation électrique et APPELER UN TECHNICIEN QUALIFIÉ.

#### **AVERTISSEMENT**

Ne pas démarrer le brûleur lorsqu'il y a un excès d'huile accumulé, des vapeurs d'huile ou que la chambre à combustion est très chaude.

#### 3.3) Purge de la chambre de combustion :

Il peut rester de l'humidité et des matériaux d'agrégation dans la chambre de combustion en céramique après son assemblage en usine. Il est important de débarrasser la chambre de combustion de ces résidus avant de commencer les tests. Si vous effectuez le test de fumée avant la purge, l'instrument se remplira de condensation et pourrait nécessiter une vérification complète. Pour vider la chambre, faire fonctionner l'unité durant 3 cycles consécutifs, en arrêtant 3 minutes entre chaque cycle. Chaque cycle devrait durer 3 minutes. Les gaz d'échappement devraient avoir une odeur âcre et produire un nuage de vapeur blanche.

#### 3.4) Test de fumée et CO<sub>2</sub> :

1. Pour les installations avec cheminée, faire une ouverture de diamètre approprié dans le tuyau de raccordement près de la bride d'évacuation de la fournaise. Pour les installations avec évacuation murale, dévisser le capuchon situé près de la bride d'évacuation des gaz sur la fournaise.
2. Commencer avec une lecture de fumée de 0 et graduellement réduire la quantité d'air pour avoir une lecture de fumée de 1.
3. Faire le test de CO<sub>2</sub> à la même localisation et prendre en note la lecture.
4. Ajuster la quantité d'air pour obtenir une lecture de 1 % de moins (installation avec cheminée) ou 1.5 % de moins (installation avec évacuateur mural) que la lecture correspondant à une lecture de fumée de 1.
5. Cette méthode pour ajuster le brûleur permet une combustion propre et assure un bon fonctionnement du système de sécurité du système d'évacuation murale DV-2000™.

#### 3.5) Test de hausse de température :

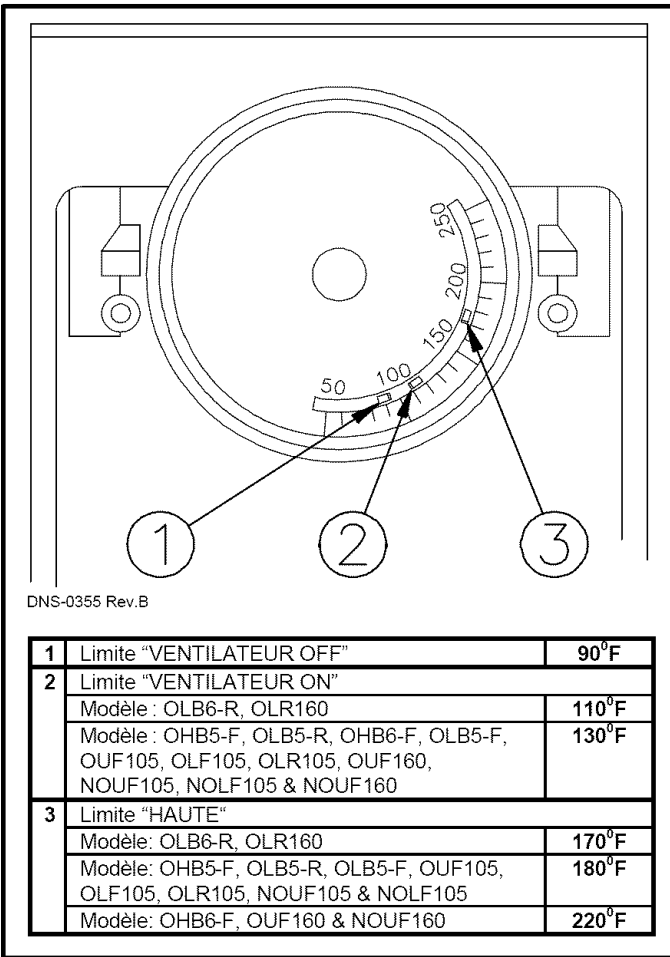
1. Faire fonctionner le brûleur pendant au moins 10 minutes.
2. Mesurer la température de l'air dans le plenum de retour d'air.
3. Mesurer la température de l'air au plus large embranchement sortant du plenum d'alimentation en air, situé juste en dehors de la ligne de radiation provenant de l'échangeur de chaleur ; une distance de 12" du plenum devrait être suffisante.
4. Calculer la hausse de température en soustrayant la température de l'air d'alimentation moins la température de l'air de retour.
5. Si la hausse de température est supérieure à la valeur spécifiée dans les tableaux # 4.1, # 4.2 ou # 4.3, ajuster la vitesse du ventilateur au réglage supérieur suivant, jusqu'à ce que la hausse de température corresponde à celle des spécifications. Si la hausse de température excessive semble irrémédiable, s'assurer qu'il n'y a pas de restrictions dans les conduites, un filtre à air inadéquat, une pression inadéquate dans la pompe ou un calibre de gicleur inadéquat.

#### 3.6) Test de la température de l'évent : (Installation cheminée)

1. Insérer un thermomètre dans l'orifice de test, situé sur la bride de sortie (évacuation murale) ou dans le tuyau de raccordement (évacuation par cheminée).
2. La température de l'évent devrait se situer entre 400 and 575 °F. Si ce n'est pas le cas, vérifier la hausse de température de l'air, la pression dans la pompe, le calibre du gicleur et s'assurer qu'il n'y a pas de suie dans l'échangeur de chaleur.

### 3.7) Ajustement

→ FIGURE # 4



### 3.8) Test de blocage de l'entrée d'air / sortie des gaz (DV-2000) :

1. Pour les installations avec système d'évacuation mural DV-2000™, un système de sécurité est incorporé pour arrêter automatiquement le brûleur avant que la trace de fumée n'atteigne 1 dans l'éventualité d'un blocage de l'entrée d'air ou de la sortie des gaz.
2. Faire fonctionner la fournaise pendant au moins 10 minutes
3. Bloquer graduellement l'entrée d'air. Le brûleur arrêtera automatiquement avant une lecture de trace de fumée de 1.
4. Bloquer graduellement la sortie des gaz. Le brûleur arrêtera automatiquement avant une lecture de trace de fumée de 1.
5. Si le brûleur ne s'arrête pas avant une lecture de fumée de 1, s'assurer que le brûleur est installé conformément à ce manuel. Vérifier aussi le conduit qui amène la pression à l'interrupteur de pression.

#### IMPORTANT

Le système de sécurité du système d'évacuation DV-2000™ sera efficace seulement si le brûleur est ajusté selon les tableaux # 4.1, # 4.2 ou # 4.3 de ce manuel. Effectuer le test de fumée / CO2. Si le brûleur est ajusté à une trace de fumée de 1 ou plus en opération normale, il est possible que le brûleur arrête avant qu'une lecture de 1 de trace de fumée soit mesurable pendant le test de blocage de l'entrée d'air / sortie des gaz.

## SECTION 3 MAINTENANCE

### 1) GÉNÉRAL

#### Entretien préventif :

"Les services d'entretien" fréquents éviteront les bris prématurés et les inconvénients. Faire inspecter le système de chauffage et le brûleur à des intervalles réguliers par un technicien qualifié.

Pour maintenir la fiabilité et la performance optimale de l'unité, effectuer une vérification complète de la combustion après chaque entretien annuel.

**Ne pas tenter de réparer l'unité ou les contrôles de l'appareil. Appeler un technicien qualifié.**

Avant d'appeler pour un service de réparation, vérifier les points suivants :

- a. Vérifier le niveau d'huile du réservoir et si le robinet d'arrêt est ouvert.

#### ⚠ MISE EN GARDE

#### Risque de décharge électrique

**Avant d'effectuer des travaux d'entretien, FERMER l'alimentation du combustible et l'alimentation électrique.**

**Si cette manipulation n'est pas effectuée, il pourrait en résulter un dommage à la propriété, des blessures corporels et/ou des pertes de vie.**

- b. Vérifier les fusibles et disjoncteur.
- c. Vérifier si l'interrupteur d'alimentation principale de la fournaise est en position "ON"
- d. Ajuster le thermostat au dessus de la température ambiante
- e. Si l'allumage du brûleur ne s'effectue pas, couper l'alimentation électrique et appeler un technicien qualifié.

**Pour commander une pièce de remplacement, spécifier le numéro de modèle et le numéro de série de votre appareil.**

### 1.1) Échangeur de chaleur :

L'échangeur de chaleur devrait être inspecté au complet une fois par année pour inspecter l'entartrage interne et l'accumulation de suie. Si le brûleur fonctionne normalement, il devrait y avoir très peu d'accumulation de suie. Si un détartrage de l'échangeur de chaleur est requis, utiliser une brosse métallique et un aspirateur industriel. Un boyau flexible de 36" vous sera utile pour atteindre les côtés de l'échangeur de chaleur secondaire; vous pouvez vous servir d'une pièce de raccord flexible à gaz de 1/2".

#### Nettoyage de l'échangeur de chaleur :

Retirer la bride en enlevant les 4 écrous à l'avant de l'appareil de chauffage central. Inspecter s'il y a des dépôts de suie. S'il y a très peu de suie dans la section du radiateur qui est visible de l'évent, le nettoyage du radiateur n'est pas requis. Par contre, si vous observez de l'entartrage, nettoyer le radiateur. Le forme ronde du radiateur permet de nettoyer entièrement l'échangeur de chaleur à partir de la porte d'inspection à l'avant de l'appareil.

**IMPORTANT**  
NE PAS PASSER L'ASPIRATEUR DANS LES CHAMBRES EN CÉRAMIQUE – elles sont facilement endommagées.

De la suie peut s'être accumulée dans les sections avant de l'échangeur de chaleur uniquement si le brûleur a été démarré après que la chambre de combustion a été noyée d'huile. Changez la chambre de combustion si vous soupçonnez qu'elle a été noyée.

### 1.2) Chambre de combustion réfractaire :

Retirer le brûleur et vérifier la chambre de combustion.

**IMPORTANT**  
Si un nettoyage est requis, manipuler la chambre de combustion avec soin puisqu'elle devient très fragile après l'allumage.

Si la chambre de combustion est endommagée, elle doit être remplacée. Une chambre de combustion endommagée peut conduire à une défaillance prématurée de l'échangeur de chaleur. Des fissures en surface de la chambre de combustion sont tout à fait normales. Par contre, si les fissures traversent plus du 2/3 de l'épaisseur, remplacer la chambre de combustion. L'épaisseur moyenne de la chambre à combustion est 3/4".

#### Si la chambre de combustion est noyée :

Il est possible de noyer la chambre de combustion si le contrôle primaire d'huile est remis à zéro plusieurs fois, sans qu'il n'y ait de chauffage. À chaque remise à zéro, de l'huile est vaporisée dans la chambre de combustion; comme l'huile ne s'allume pas, elle est absorbée dans la chambre de combustion. Il est difficile d'évaluer la

quantité d'huile que la chambre de combustion a absorbée, même en retirant le brûleur et en évaluant le degré d'humidité de la chambre de combustion.

Par conséquent, il n'y a qu'un seul moyen de faire l'entretien d'une chambre de combustion qui a été noyée : remplacer la chambre de combustion.

### AVERTISSEMENT

Si le témoin lumineux d'avertissement rouge sur le brûleur s'allume, appuyer UNE FOIS seulement sur le bouton de remise à zéro pour essayer de redémarrer le brûleur. Si le brûleur ne démarre pas, appeler votre technicien d'entretien autorisé.

#### Chambre à combustion s'alignant automatiquement :

L'échangeur de chaleur de cet appareil est composé d'une partie inférieure et d'une partie supérieure. La partie inférieure contient la chambre de combustion et permet aussi l'alignement automatique de celle-ci.

#### Remplacement de la chambre à combustion :

1. Enlever le brûleur
2. Enlever le contrôle haute-limite de l'appareil
3. Enlever la bride de sortie des gaz
4. Enlever le panneau avant
5. Enlever les écrous en laiton qui fixe l'échangeur de chaleur primaire à l'échangeur de chaleur secondaire.
6. Enlever la partie du bas de l'échangeur de chaleur (échangeur primaire)
7. Retirer la chambre à combustion de l'échangeur primaire
8. Retirer le joint d'étanchéité sur la bride de l'échangeur et retirer toute trace de résidu de garniture sur la bride.

#### Installation de la chambre à combustion :

1. Aligner la nouvelle chambre à combustion et l'insérer dans l'échangeur de chaleur primaire.
2. Déposer le joint d'étanchéité sur la bride en dessous de l'échangeur secondaire. Soutenir le joint d'étanchéité en vissant de 2 ou 3 tours les 4 écrous en laiton sur les filets des goujons de l'échangeur de chaleur secondaire.
3. Installer l'échangeur de chaleur primaire en le supportant d'abord avec les écrous en laiton et ensuite visser les écrous. Les écrous doivent être serrés dans une séquence qui permettra à l'échangeur de chaleur primaire d'appuyer "également" sur le joint d'étanchéité et l'échangeur secondaire. **S'assurer que le joint d'étanchéité appui sur toute la surface de contact entre l'échangeur primaire et secondaire.**
4. Revisser fermement tous les écrous à 100 lbs.po. **UN DEUXIÈME SERRAGE EST OBLIGATOIRE POUR ASSURER L'ÉTANCHEITÉ.**
5. Assembler à nouveau le panneau avant, la bride de sortie, le contrôle haute-limite et enfin le brûleur.

### 1.3) Tiroir du brûleur :

Retirer le tiroir. Nettoyer la tête de rétention et les électrodes. Si un brûleur AFG est utilisé, il doit être retiré pour vérifier la tête de rétention.

### 1.4) Gicleur :

Remplacer le gicleur avec celui spécifié aux tableaux # 4.1, # 4.2 ou # 4.3.

### 1.5) Filtre à huile :

#### Filtre du réservoir

Remplacer le filtre du réservoir au besoin.

#### Filtre secondaire

Remplacer les cartouches des filtres de 10 microns (ou moins) une fois par année.

### 1.6) Filtre à air :

Les filtres à air sont de type jetable et devraient être remplacés, au minimum, une fois par année. La présence de poils d'animaux, de poussière, etc. peut nécessiter des changements de filtres plus fréquents. Des filtres sales ont une incidence sur l'efficacité de l'appareil de chauffage central et augmentent la consommation d'huile.

### 1.7) Lubrification du moteur :

Ne pas lubrifier le moteur du brûleur ou le moteur du ventilateur puisqu'ils sont lubrifiés en façon permanente.

### 1.8) Ensembles pour air de combustion CAS-2B (si utilisé) :

S'assurer que le grillage à l'entrée n'est pas obstrué. Bloquer complètement l'entrée et vérifier que les mesures de fumée sont de zéro. Si une mesure de zéro fumée n'est pas obtenue, régler le brûleur selon les spécifications des tableaux # 4.1, # 4.2 ou # 4.3.

Bloquer l'entrée d'air progressivement. Le CO<sub>2</sub> devrait augmenter d'au plus de 0.5% lorsque l'entrée est entièrement bloquée. Si ce n'est pas le cas, s'assurer que la soupape casse-vide pivote librement et que la tige du pivot est bien en position horizontale. Vérifier également si le contrepoids est complètement vissé.

## SECTION 4 INFORMATION

Modèle : \_\_\_\_\_ Numéro de série: \_\_\_\_\_

Date d'installation de la fournaise : \_\_\_\_\_

Nos tél. service – Jour : \_\_\_\_\_ Soir : \_\_\_\_\_

Nom et adresse du technicien de service : \_\_\_\_\_

### RÉSULTAT DU TEST DE MISE EN MARCHÉ

Gicleur : \_\_\_\_\_ Pression : \_\_\_\_\_ lbs/po<sup>2</sup>

Ajustements du brûleur : Bande principale \_\_\_\_\_

Bande fine \_\_\_\_\_

Position de la tête \_\_\_\_\_

CO<sup>2</sup> : \_\_\_\_\_ % Indice de fumée : \_\_\_\_\_ (Bacharach)

Température des gaz à la sortie de l'unité: \_\_\_\_\_ ° F

Température ambiante : \_\_\_\_\_ ° F

Tirage dans la cheminée : \_\_\_\_\_ " C.E.

Tirage au dessus du feu : \_\_\_\_\_ " C.E.

Examiné par : \_\_\_\_\_

**TABLEAU # 4.1**  
**Spécifications techniques**

Modèle : OLR & OLB	OLB5-R & OLR105A12B				OLB6-R & OLR160B20B		
<b>TAUX ET PERFORMANCE</b>							
Allure de chauffe	.50	.63	.75	.72	0.85	0.97	1.14
Pression pompe (PSIG)	100	156	156	145	130	130	130
Input (BTU/h)	70,000	88,200	105,000	100,800	119,000	135,800	159,600
Puissance de chauffage, installation cheminée (BTU/h)	59,200	73,000	87,800	<del>84,200</del>	99,000	111,000	129,000
Puissance de chauffage, évacuation murale (BTU/h)	59,400	73,200	88,200	84,200	97,000	110,000	127,000
Hausse de température	52 à 75 Degr. F				50 - 80 Degr. F		
Pression tuyau fumée (cheminée) (évacuation murale)	(-0,035 à -0,06) (+0,04 à +0,16)				(-0,035 to -0,06) (+0,04 to +0,22)		
Pression dessus feu (cheminée) (évacuation murale)	(0,00 à +0,035) (+0,10 à +0,25)				(-0,00 to +0,04) (+0,10 to +0,25)		
<b>BRÛLEUR BECKETT , INSTALLATION CHEMINÉE</b>	<b>AFG-F0 (insertion tube 5 1/8")</b>				<b>AFG-F3 (insertion tube 6 5/8")</b>		
Défecteur de bas régime	Oui	Oui	Non	<del>Non</del>	NO	NO	NO
Disque statique, modèle	2 3/4 #3383	2 3/4 #3383	2 3/4 #3383	<del>2 3/4 #3383</del>	2 3/4 #3383	2 3/4 #3383	2 3/4 #3383
Gicleur (Delavan)	0.50 - 70A	0.50 - 70A	0.60 - 70B	<del>0.60 - 70B</del>	0.75 - 70B	0.85 - 70B	1.00 - 70B
Ajustement air de combustion (bande fine)	4.5 / 0	8 / 0	7.5 / 0	<del>7.5 / 0</del>	5 / 0	6.5 / 0	10 / 0
<b>BRÛLEUR RIELLO, INSTALLATION CHEMINÉE</b>	<b>40-F3 (insertion tube 5 3/16")</b>				<b>40-F5 (insertion tube 6 5/8")</b>		
Gicleur (Delavan)	<del>0.50 - 60A</del>	0.50 - 60A	0.60 - 60A	<del>0.60 - 60A</del>	0.75 - 70B	0.85 - 70B	1.00 - 70B
Ajustement air de combustion (turbulateur / bande)	<del>0 / 3</del>	0 / 3	0 / 4	<del>0 / 4</del>	1 / 2	1 / 2.5	1 / 3
<b>BRÛLEUR BECKETT, ÉVACUATION MURALE</b>	<b>AFII-85 (insertion tube 4 15/16")</b>				<b>AFII-150 (insertion tube 6 5/8")</b>		
Gicleur (Delavan)	0.50 - 60W	0.50 - 60W	0.60 - 60W	<del>0.60 - 60W</del>	0.75 - 70B	0.85 - 70B	1.00 - 70B
Ajustement air de combustion (vis / cadran)	3 / 1.5	3 / 3	3 / 4.5	<del>3 / 4.5</del>	2.75	4.25	6.75
<b>BRÛLEUR RIELLO, ÉVACUATION MURALE</b>	<b>40-BF3 (K7R) (insertion tube 5 3/16")</b>				<b>40-BF5 (insertion tube 6 5/8")</b>		
Gicleur (Delavan)	<del>0.50 - 60W</del>	0.50 - 60W	<del>0.60 - 60W</del>	0.60 - 60W	0.75 - 70B	0.85 - 70B	1.00 - 70B
Ajustement air de combustion (turbulateur / bande)	<del>0 / 6</del>	0 / 6	<del>0 / 7.5</del>	0 / 7.5	1 / 3	1 / 4	2 / 4.5
<b>SYSTÈME ÉLECTRIQUE</b>							
Volts - Hertz - Phase	115-60-1				115-60-1		
Tensions de fonctionnement	104 - 132				104 - 132		
Consommation Amp	12,2				15,7		
Amp. Minimum p/r grosseur du fil	13,7				18,1		
Fusibles max. (Amps)	15				20		
Transformateur de contrôle	40 Va				40 Va		
Puissance disponible, accessoires et climatisation	30 Va				30 Va		
<b>DONNÉES TECHNIQUES DU VENTILATEUR</b>							
Vit. du ventilateur à une pression statique de 0.5"	MED-LO	MED-HI	HIGH	HIGH	MED-LO	MED-HI	HIGH
Vit. du ventilateur à une pression statique de 0.25"	LOW	MED-HI	MED-HI	MED-HI	MED-LO	MED-HI	MED-HI
Vitesse maximum, climatisation	LOW	MED-LO	MED-HI	HIGH	MED-LO	MED-HI	HIGH
Climatisation maximum, tonnes @ 0.5" W.C.	1.5	2	2.5	3	3.5	4	5
Moteur (HP) / nombre de vitesses	1/3 HP / 4 vitesses				3/4 HP / 4 vitesses		
Dim. de la roue du ventilateur (po.)	10 X 10				12 x 10		
Quantité et dimension des filtres	(1) 20 X 20				(2) 16 X 24		

**TABLEAU # 4.2**  
**Débit d'air - PCM avec filtre à air**

	OLB5-R & OLR105A12B		OLB6-R & OLR160B20B	
	PRESSION STATIQUE EXTERNE AVEC FILTRE À AIR		PRESSION STATIQUE EXTERNE AVEC FILTRE À AIR	
VITESSE	0.25	0.5	0.25	0.5
LOW	850	700	1100	1020
MED-LO	940	750	1360	1350
MED-HI	1090	1000	1625	1540
HIGH	1390	1300	2100	1850

**TABLEAU # 4.2**  
**Spécifications techniques**

Modèle : OHB, OUF & NOUF	OHB5-F, OUF105 & NOUF105				OHB6-F, OUF160 & NOUF160		
<b>TAUX ET PERFORMANCE</b>							
Allure de chauffe	.50	.63	.75	.72	.85	.97	1.14
Pression pompe (PSIG)	100	156	156	145	130	130	130
Input (BTU/h)	70,000	88,200	105,000	100,800	119,000	135,800	159,600
Puissance de chauffage, installation cheminée (BTU/h)	58,900	73,500	86,100	<del>83,900</del>	97,000	110,000	127,000
Puissance de chauffage, évacuation murale (BTU/h)	59,800	74,600	87,800	83,900	97,000	110,000	127,000
Hausse de température	52 à 75 Degr. F				50 à 80 Degr. F		
Pression tuyau fumée (cheminée) (évacuation murale)	(-0.035 à -0.06) (+0.04 à +0.16)				(-0.035 à +0.06) (+0.04 à +0.18)		
Pression dessus feu (cheminée) (évacuation murale)	(0.00 à +0.035) (+0.10 à +0.25)				(0.00 à +0.04) (+0.10 à +0.25)		
<b>BRÛLEUR BECKETT, INSTALLATION CHEMINÉE</b>	<b>AFG-F0 (insertion tube 5 1/8")</b>				<b>AFG-F3 (insertion tube 6 5/8")</b>		
Défecteur de bas régime	Oui	Oui	Non	<del>Non</del>	Non	Non	Non
Disque statique, modèle	2 3/4 #3383	2 3/4 #3383	2 3/4 #3383	<del>2 3/4 #3383</del>	2 3/4 #3383	2 3/4 #3383	2 3/4 #3383
Gicleur (Delavan)	0.50 - 70A	0.50 - 70A	0.60 - 70B	<del>0.60 - 70B</del>	0.75 - 70B	0.85 - 70B	1.00 - 70B
Ajustement air de combustion (bande fine)	4.5 / 0	8 / 0	7.5 / 0	<del>7.5 / 0</del>	5 / 0	6.5 / 0	10 / 0
<b>BRÛLEUR RIELLO, INSTALLATION CHEMINÉE</b>	<b>40-F3 (insertion tube 5 3/16")</b>				<b>40-F5 (insertion tube 6 5/8")</b>		
Gicleur (Delavan)	<del>0.50 - 60A</del>	0.50 - 60A	0.60 - 60A	<del>0.60 - 60A</del>	0.75 - 70B	0.85 - 70B	1.00 - 70B
Ajustement air de combustion (turbulateur / bande)	<del>0 / 3</del>	0 / 3	0 / 4	<del>0 / 4</del>	0 / 2.5	0 / 2.8	0 / 3.9
<b>BRÛLEUR BECKETT, ÉVACUATION MURALE</b>	<b>AFII-85 (insertion tube 4 15/16")</b>				<b>AFII-150 (insertion tube 6 5/8")</b>		
Gicleur (Delavan)	0.50 - 60W	0.50 - 60W	0.60 - 60W	<del>0.60 - 60W</del>	0.75 - 70B	0.85 - 70B	1.00 - 70B
Ajustement air de combustion (vis & cadran)	3 / 1.5	3 / 3	3 / 4.5	<del>3 / 4.5</del>	2.75	4.25	6.0
<b>BRÛLEUR RIELLO, ÉVACUATION MURALE</b>	<b>40-BF3 (K7R) (insertion tube 5 3/16")</b>				<b>40 - BF5 (insertion tube 6 5/8")</b>		
Gicleur (Delavan)	<del>0.50 - 60W</del>	0.50 - 60W	<del>0.60 - 60W</del>	0.60 - 60W	0.75 - 70B	0.85 - 70B	1.00 - 70B
Ajustement air de combustion (turbulateur / bande)	<del>0 / 6</del>	0 / 6	<del>0 / 7.5</del>	0 / 7.5	0 / 3.75	0 / 4	0 / 4.875
<b>SYSTÈME ÉLECTRIQUE</b>							
Volts - Hertz - Phase	115-60-1				115-60-1		
Tensions de fonctionnement	104 - 132				104 - 132		
Consommation Amp	15.4				16.9		
Amp. Minimum p/r grosseur du fil	17.7				19.5		
Fusibles max.(Amps)	20				20		
Transformateur de contrôle	40 Va				40 Va		
Puissance disponible, Accessoires et Climatisation	30 Va				30 Va		
<b>DONNÉES TECHNIQUES DU VENTILATEUR</b>							
Vit. du ventilateur à une pression statique de 0.5"	LOW	LOW	MED-HI	MED-HI	MED-LO	MED-HI	HIGH
Vit. du ventilateur à une pression statique de 0.25"	LOW	LOW	MED-LO	MED-LO	MED-LO	MED-LO	MED-HI
Vitesse maximum, climatisation	LOW	MED-LO	MED-HI	HIGH	MED-LO	MED-HI	HIGH
Climatisation maximum, tonnes @ 5" W.C.	2	2.5	2.5	3	3.5	4	5
Moteur (HP) / nombre de vitesses	1/2 HP / 4 vitesses				0.85 HP / 4 vitesses		
Dim. de la roue du ventilateur (po.)	10 X 10				12 X 10		
Quantité et dimension des filtres	(1) 20 X 20				(1) 24 X 24		

**TABLEAU # 5.2**  
**Débit d'air - PCM avec filtre à air**

	OHB5-F, OUF105 & NOUF105		OHB6-F, OUF160 & NOUF160	
	PRESSION STATIQUE EXTERNE AVEC FILTRE À AIR		PRESSION STATIQUE EXTERNE AVEC FILTRE À AIR	
VITESSE	0.25	0.5	0.25	0.5
LOW	960	920	1080	990
MED-LO	1100	1000	1350	1310
MED-HI	1300	1150	1605	1510
HIGH	1550	1350	2060	1825

**TABLEAU #4.3**  
**Spécifications techniques**

Model : OLB, OLF & NOLF	OLB5-F, OLF105 & NOLF105			
<b>TAUX ET PERFORMANCE</b>				
Allure de chauffe	.50	.63	.75	.72
Pression pompe (PSIG)	100	156	156	145
Input (BTU/h)	70,000	88,200	105,000	100,800
Puissance de chauffage, installation cheminée (BTU/h)	59,200	73,000	87,800	
Puissance de chauffage, évacuation murale (BTU/h)	59,400	73,200	88,200	84,200
Hausse de temperature	52 à 75 Degr. F			
Pression tuyau fumée (cheminée) (évacuation murale)	(-0,035 to -0,06) (+0,04 to +0,16)			
Pression dessus feu (cheminée) (évacuation murale)	(0.00 à +0.035) (+0.10 à +0.25)			
<b>BRÛLEUR BECKETT , INSTALLATION CHEMINÉE</b>				
<b>AFG-F0 (insertion tube 5 1/8")</b>				
Défecteur de bas régime	Oui	Oui	Non	
Disque statique, modèle	2 3/4 #3383	2 3/4 #3383	2 3/4 #3383	
Gicleur (Delavan)	0.50 - 70A	0.50 - 70A	0.60 - 70B	
Ajustement air de combustion (bande fine)	4.5 / 0	8 / 0	7.5 / 0	
<b>BRÛLEUR RIELLO, INSTALLATION CHEMINÉE</b>				
<b>40-F3 (insertion tube 5 3/16")</b>				
Gicleur (Delavan)		0.50 - 60A	0.60 - 60A	
Ajustement air de combustion (turbulateur / bande)		0 / 3	0 / 4	
<b>BRÛLEUR BECKETT, ÉVACUATION MURALE</b>				
<b>AFII-85 (insertion tube 4 15/16")</b>				
Gicleur (Delavan)	0.50 - 60W	0.50 - 60W	0.60 - 60W	
Ajustement air de combustion (vis / cadran)	3 / 1.5	3 / 3	3 / 4.5	
<b>BRÛLEUR RIELLO, ÉVACUATION MURALE</b>				
<b>40-BF3 (K7R) (insertion tube 5 3/16")</b>				
Gicleur (Delavan)		0.50 - 60W		0.60 - 60W
Ajustement air de combustion (turbulateur / bande)		0 / 6		0 / 7.5
<b>SYSTÈME ÉLECTRIQUE</b>				
Volts - Hertz - Phase	115-60-1			
Tensions de fonctionnement	104 - 132			
Consommation Amp	12,2			
Amp. Minimum p/r grosseur du fil	13,7			
Fusibles max.(Amps)	15			
Transformateur de contrôle	40 Va			
Puissance disponible, Accessoires et Climatisation	30 Va			
<b>DONNÉES TECHNIQUES DU VENTILATEUR</b>				
Vit.du ventilateur à une pression statique de 0.5"	LOW	MED-HI	HIGH	HIGH
Vit.du ventilateur à une pression statique de 0.25"	LOW	MED-HI	HIGH	HIGH
Vitesse maximum, climatisation	LOW	MED-LO	MED-HI	HIGH
Climatisation maximum, tonnes @ 5" W.C.	1.5	2	2.5	3
Moteur (HP) / nombre de vitesses	1/3 HP / 4 vitesses			
Dim. De la roue du ventilateur (po.)	10 X 10			
Quantité et dimension des filtres	(1) 20 X 20			

**TABLEAU # 5.3**  
**Débit d'air - PCM avec filtre à air**

	OLB5-F, OLF105 & NOLF105	
	PRESSION STATIQUE EXTERNE AVEC FILTRE À AIR	
	0.25	0.5
VITESSE		
LOW	840	770
MED-LO	960	800
MED-HI	1050	980
HIGH	1300	1200



FIGURE # 5.1  
Modèle: OLB5-R059-085-3 & OLR105A12B

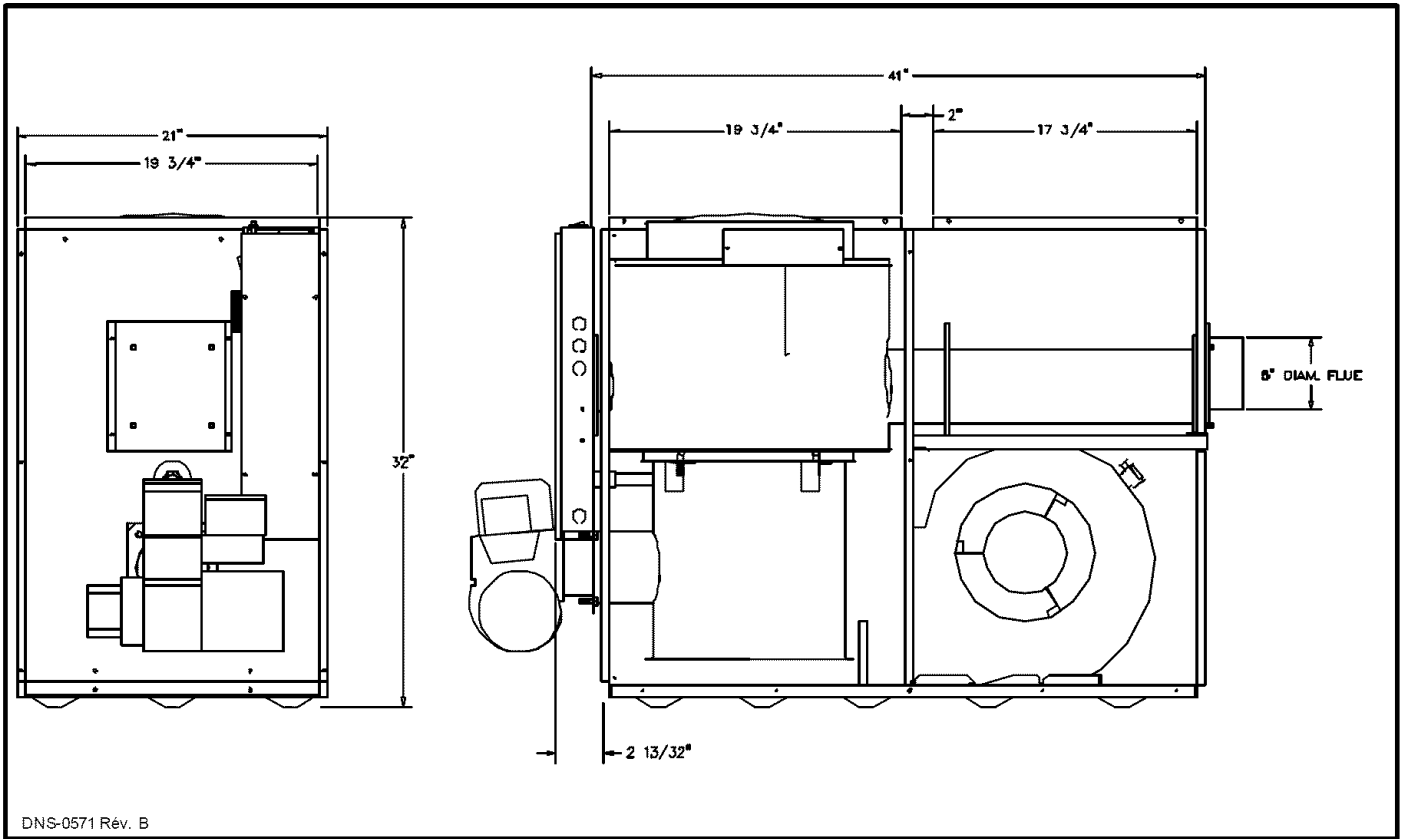
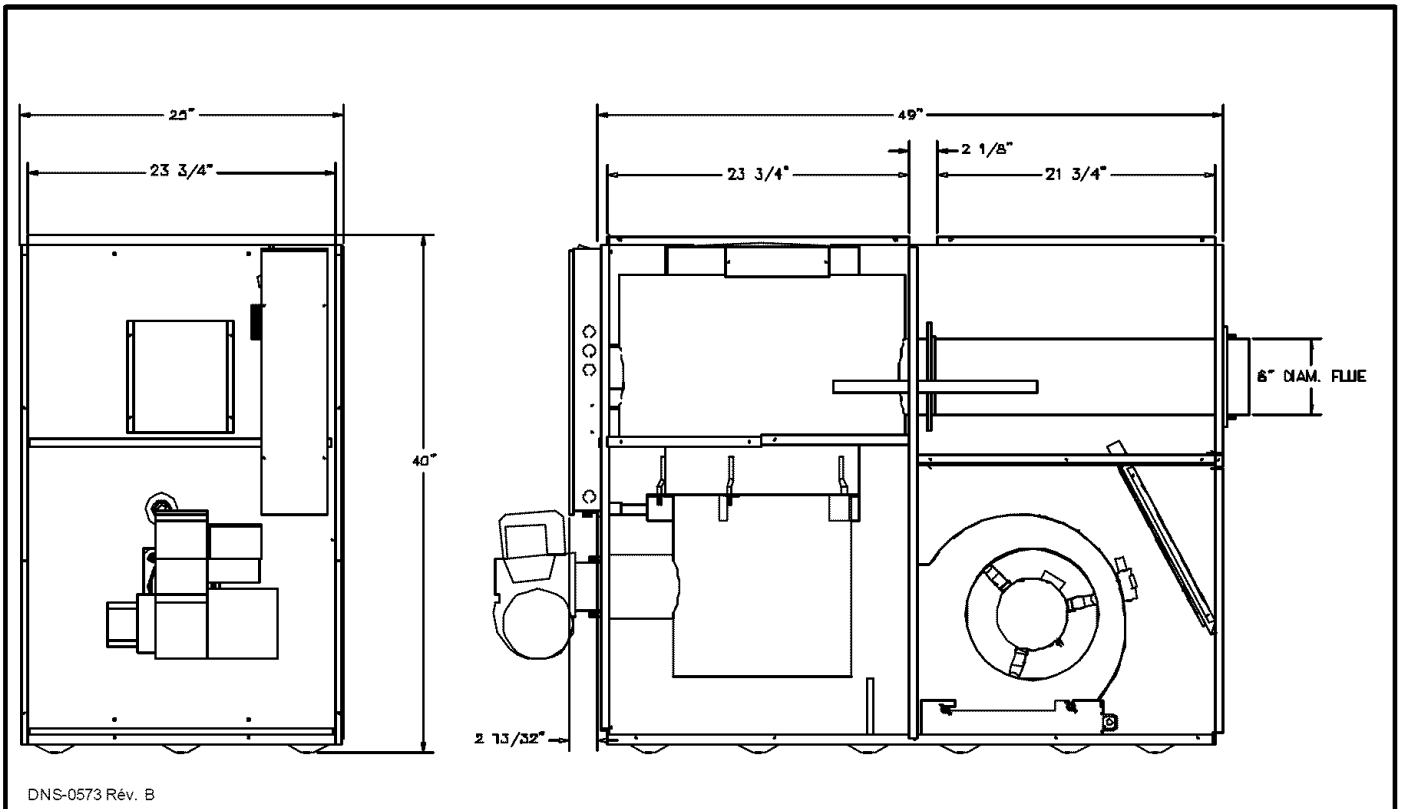
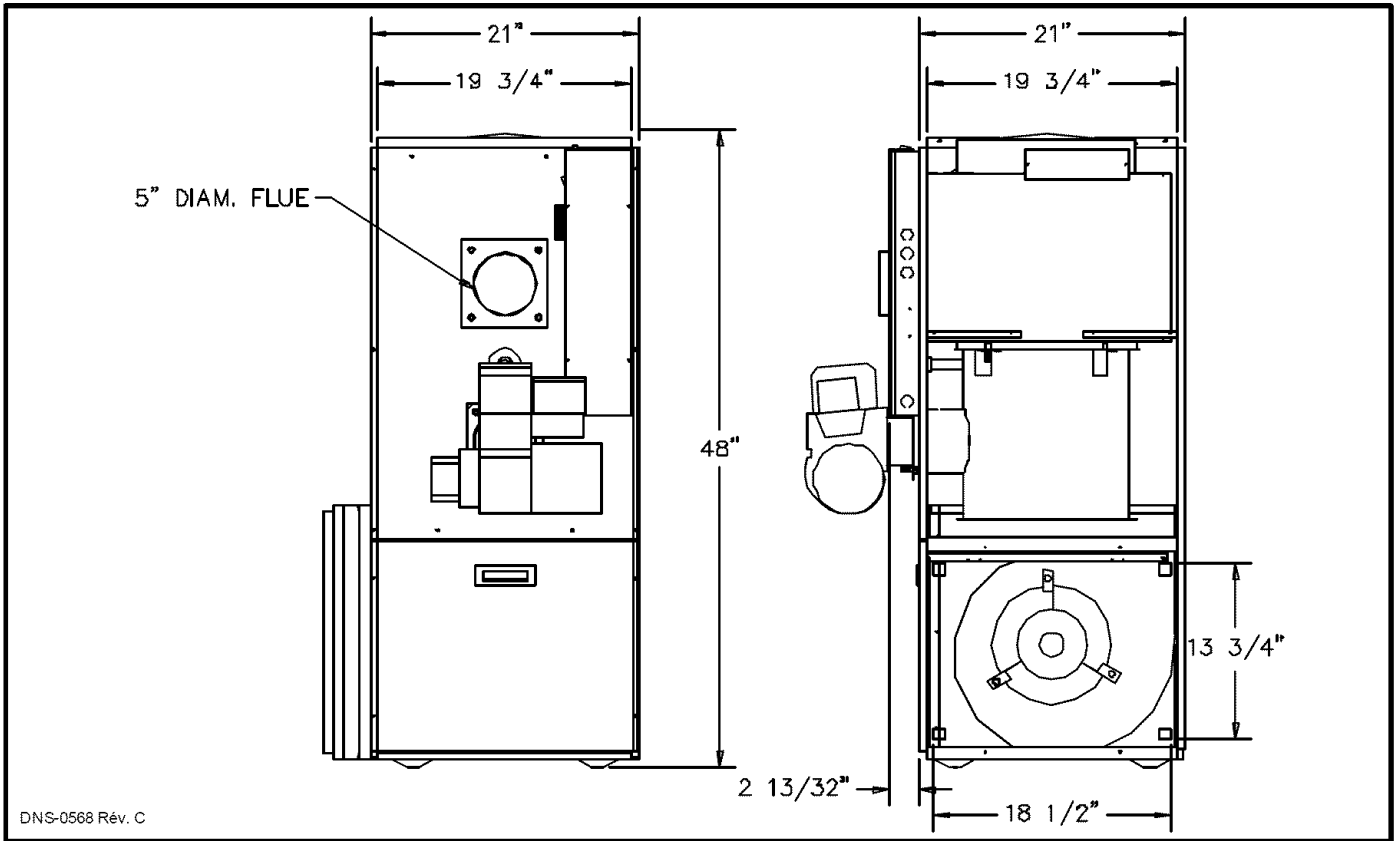


FIGURE # 5.2  
Modèle: OLB6-R097-130-5 & OLR160B20B



**FIGURE # 5.3**  
**Modèle: OHB5-F059-085-3 & OUF105A12B**



**FIGURE # 5.4**  
**Modèle: OHB6-F097-130-5 & OUF160B18B**

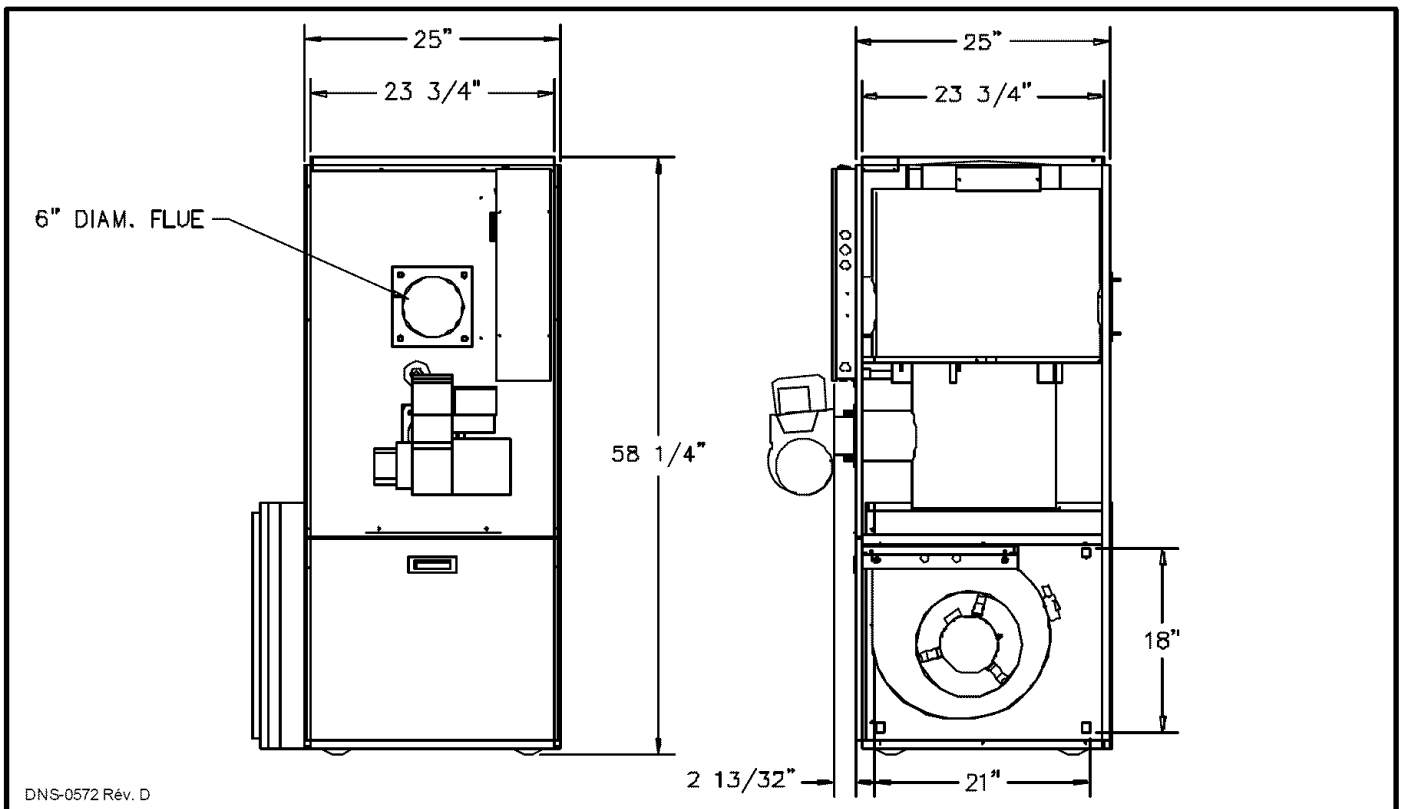


FIGURE # 5.5  
 Modèle : OLB5-F059-085-3 & OLF105A12B

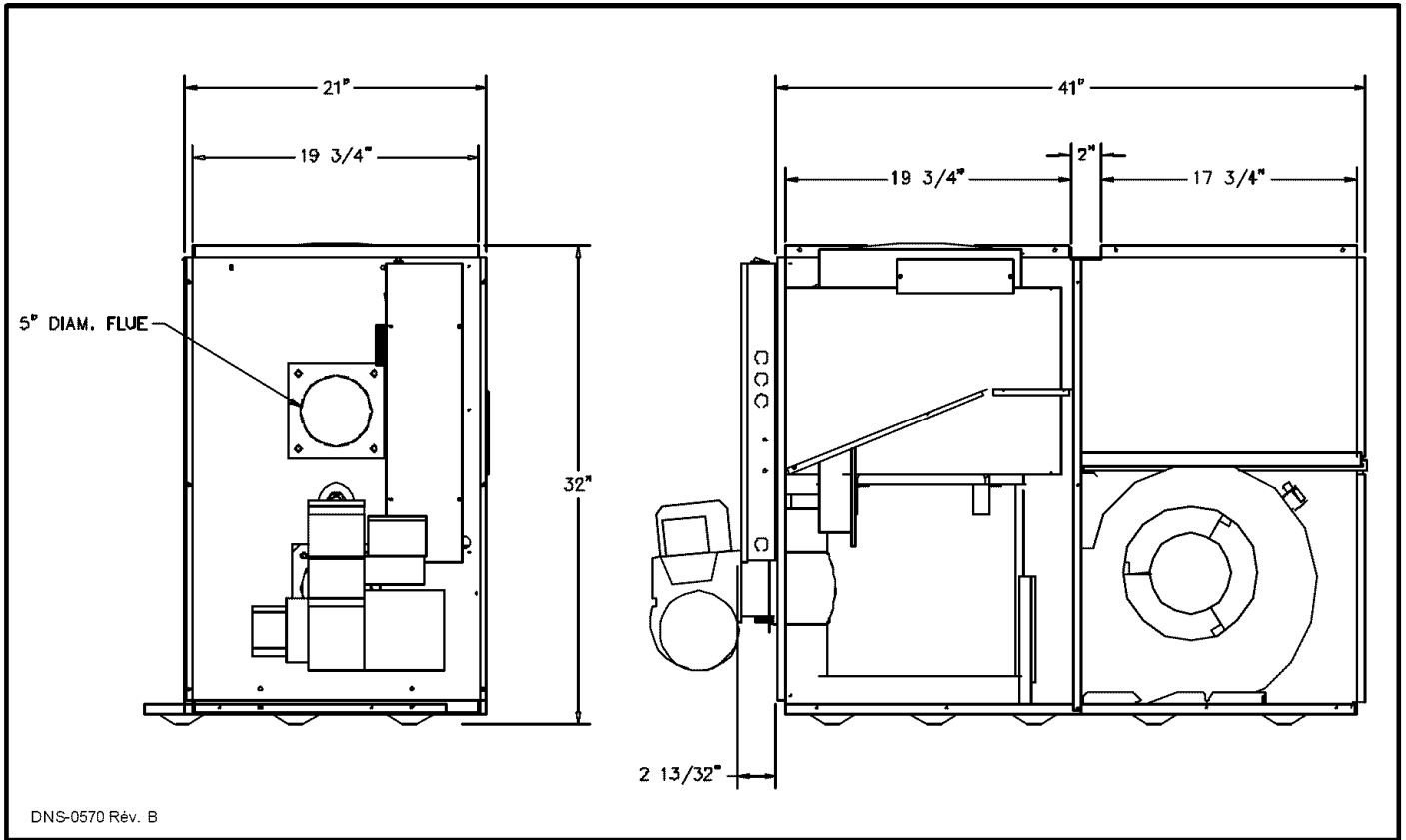


FIGURE # 5.6  
 Model: NOUF105A12B

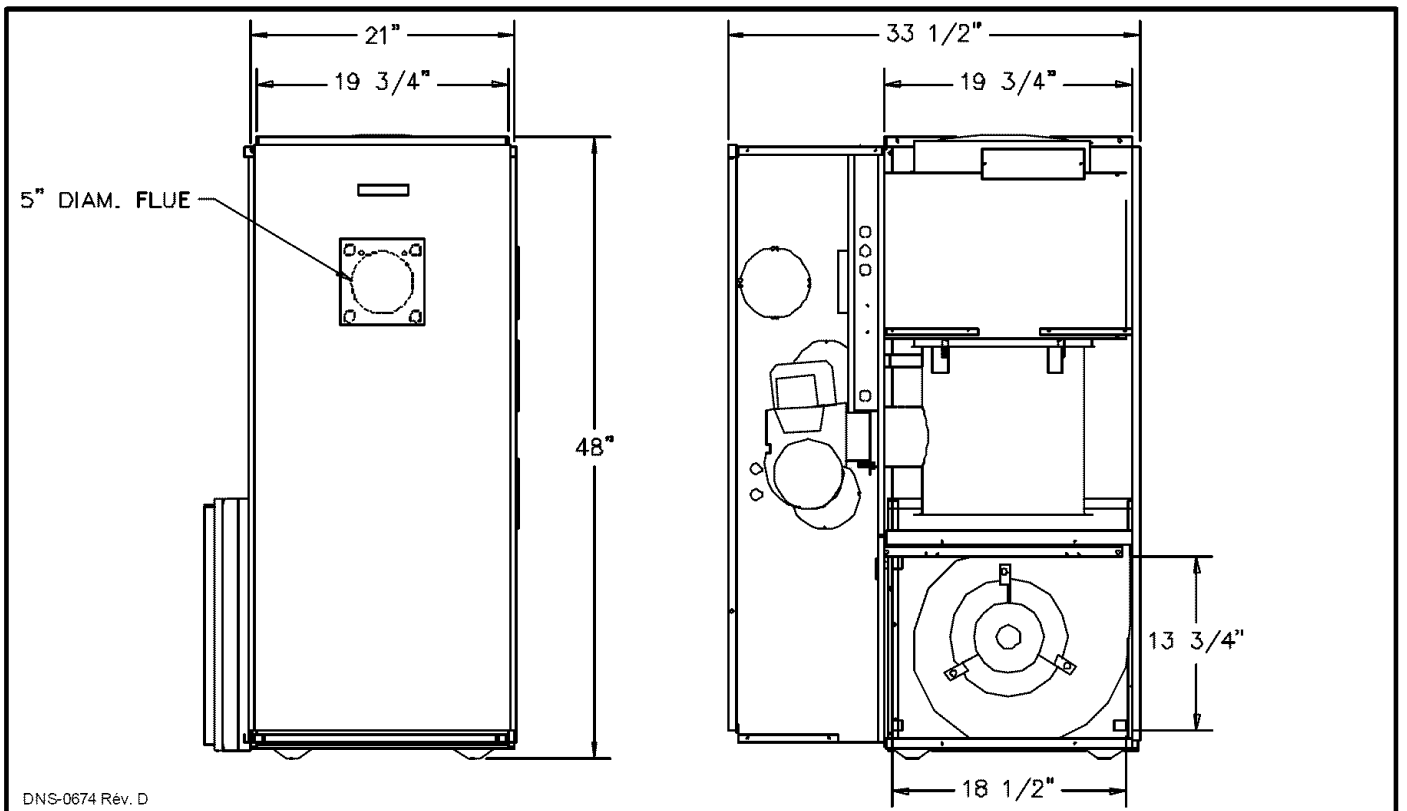


FIGURE # 5.7  
Modèle: NOUF160B18B

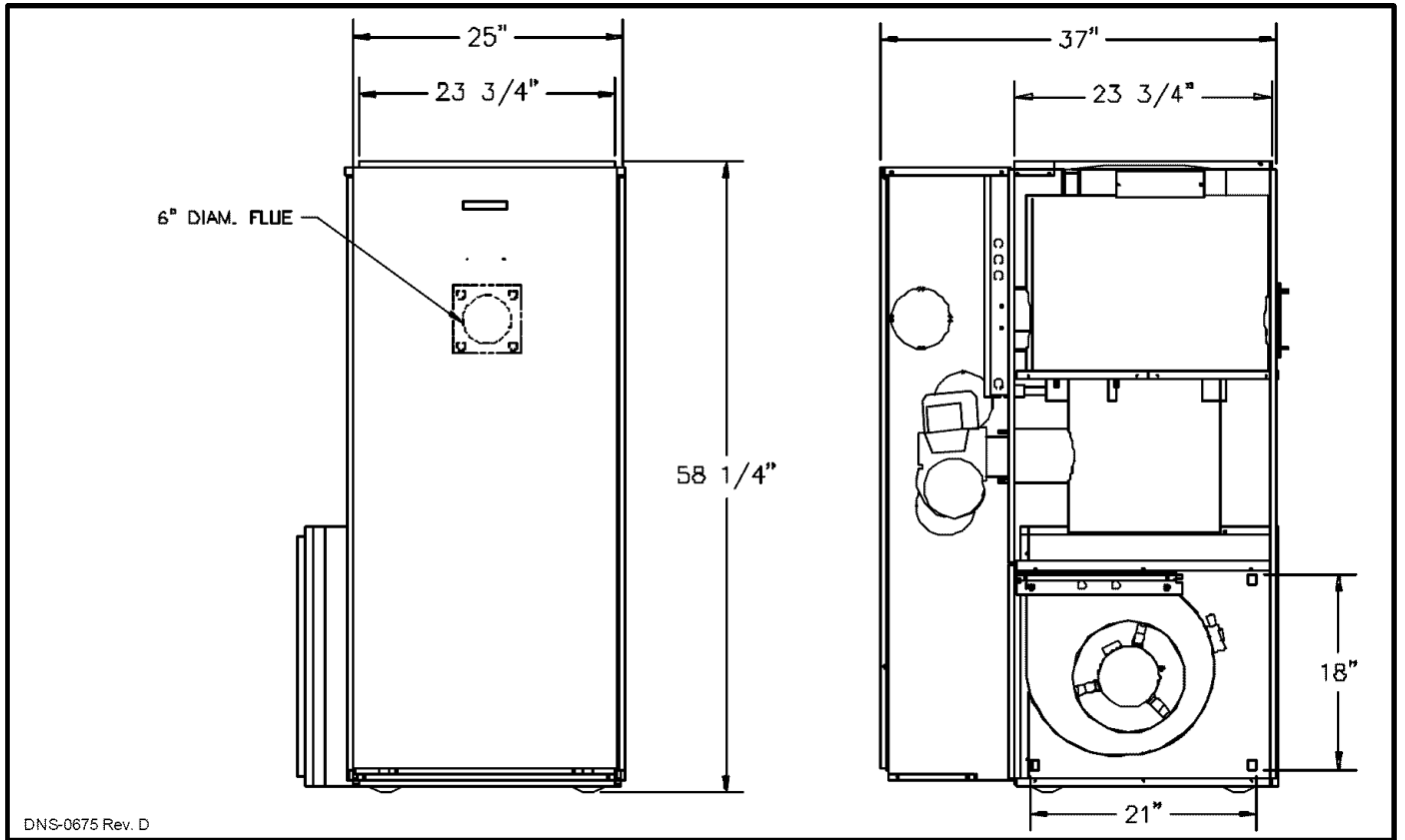
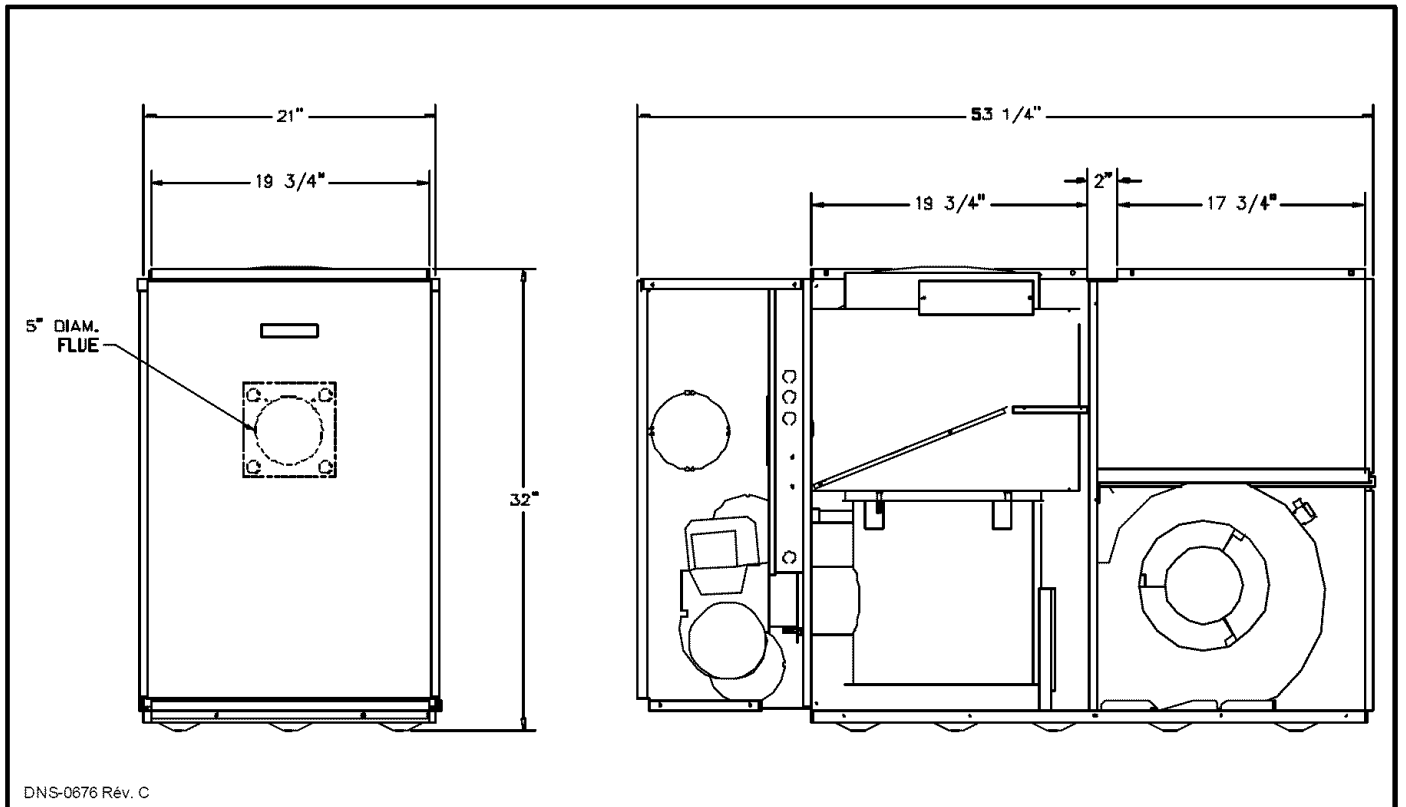
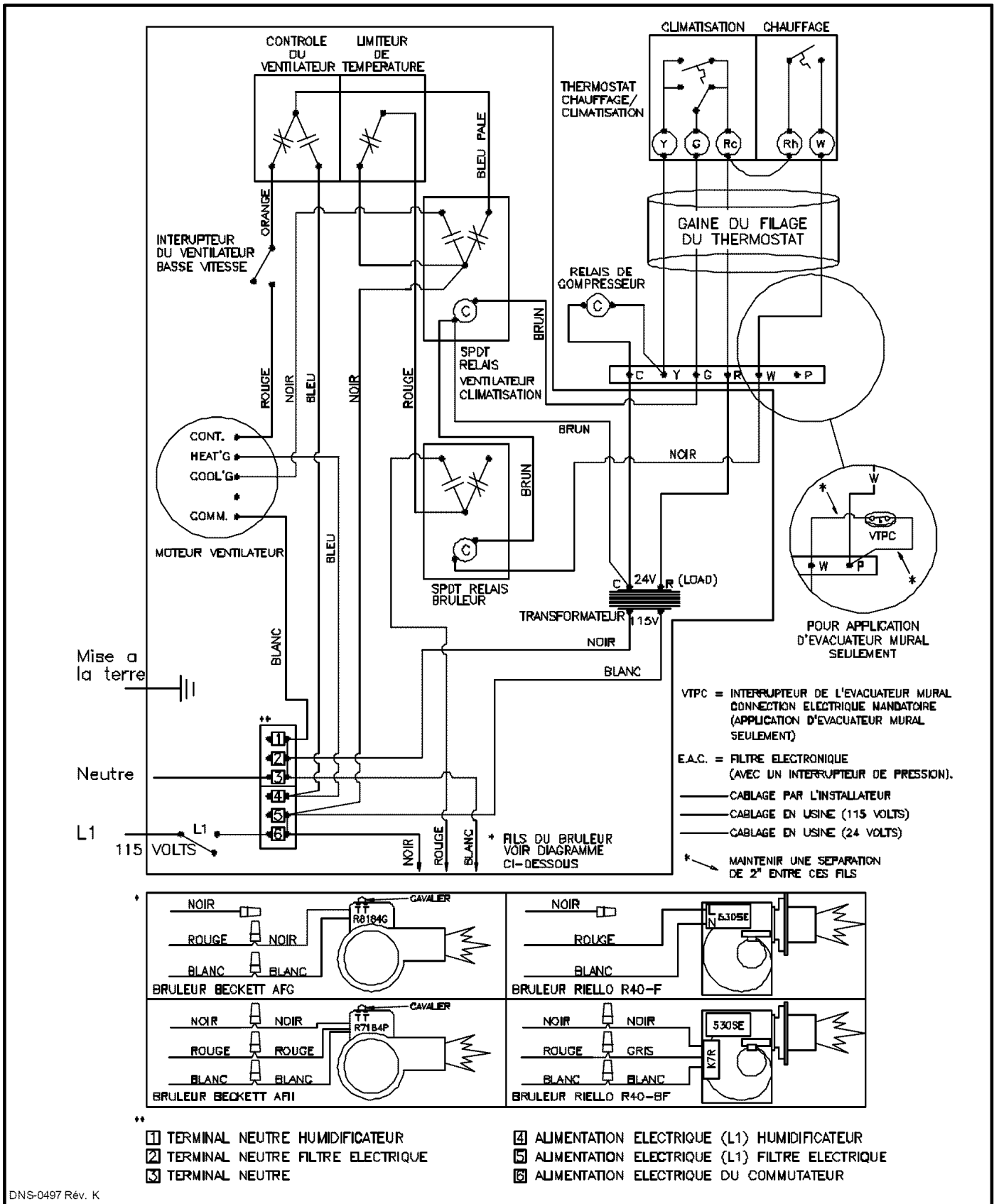


FIGURE # 5.8  
Modèle: NOLF105A12B



→ FIGURE # 6

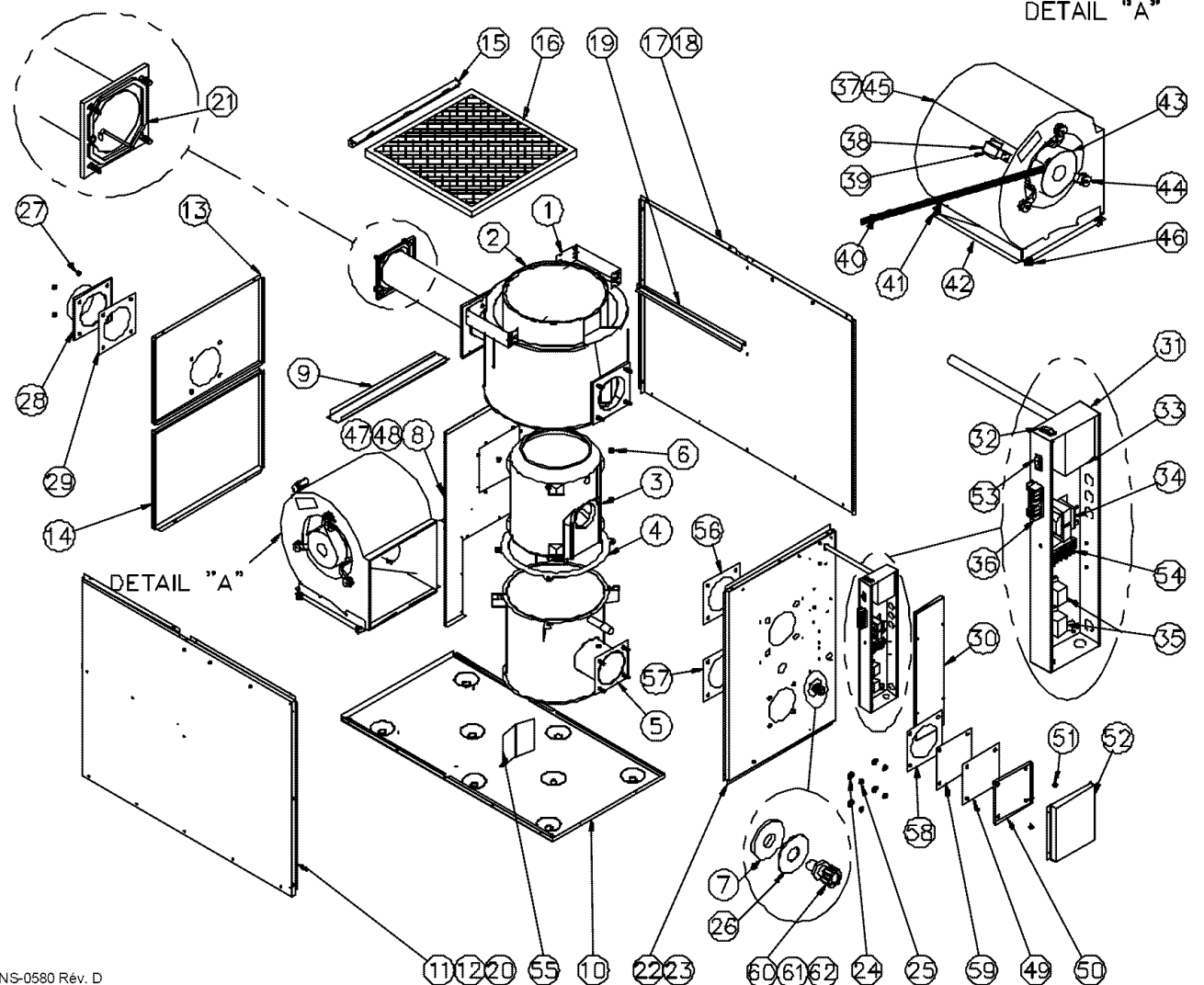
Diagramme électrique, OLB5-R, OLB6-R, OHB5-F, OHB6-F, OLB5-F, OLR105A12B, OLR160B20B, OUF105A12B, NOUF105A12B, OUF160B18B, NOUF160B18B, OLF105A12B & NOLF105A12B



DNS-0497 Rév. K

**LISTE DE PIÈCES**  
**Modèle : OLB5-R059-085-3 , #Série > 264 000**

DETAIL "A"

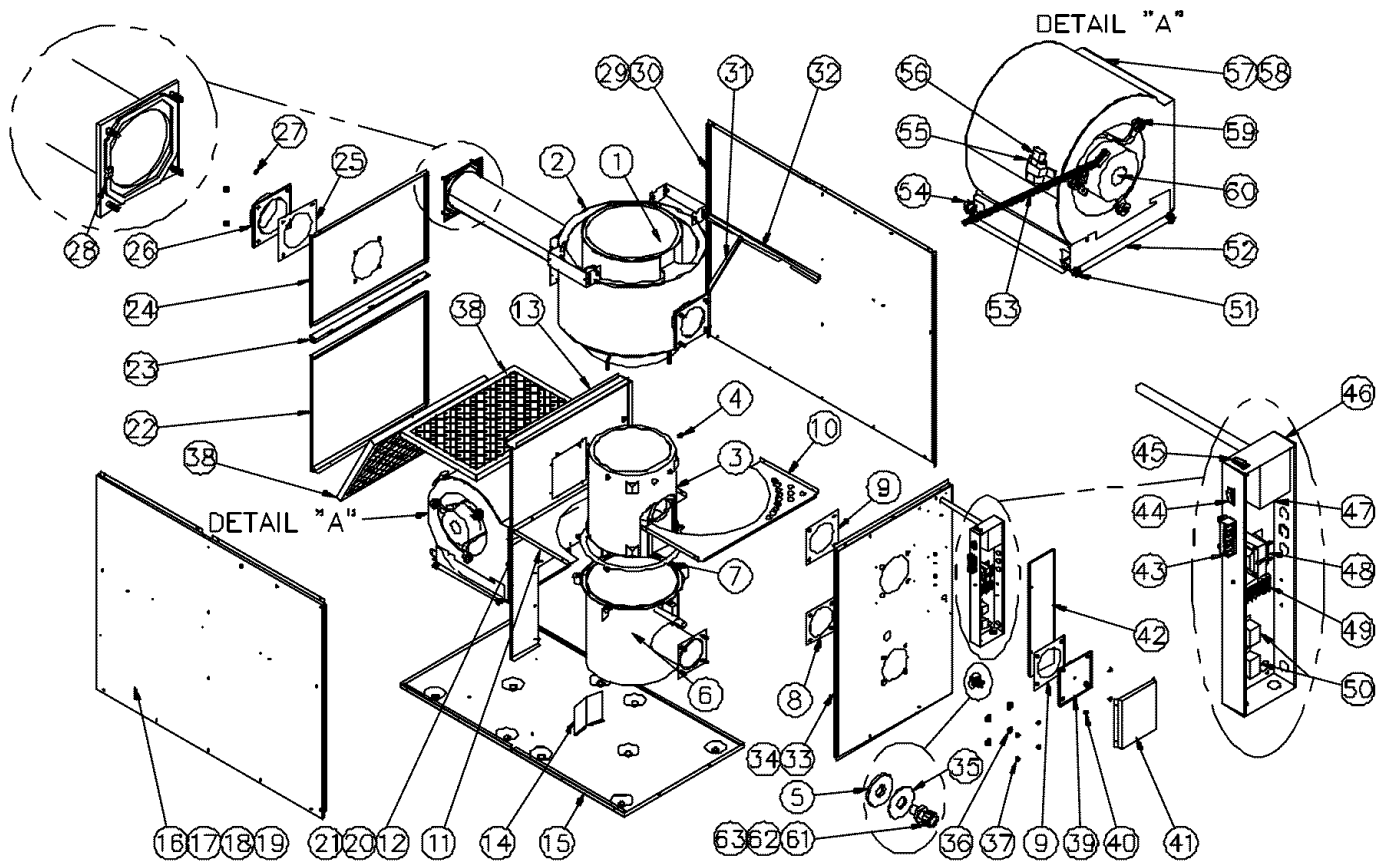


DNS-0580 Rév. D

ITEM	DESCRIPTION	NUMERO
1	Échangeur de chaleur complet (chambre combustion incluse)	B30756-02
2	Échangeur de chaleur supérieur	B30465-02
3	Chambre à combustion (item 4 inclus)	B30414
4	Garniture, échangeur	B30517
5	Échangeur de chaleur inférieur	B30757
6	Ecrou six pans à bride 3/8-16NC laiton	F070001
7	Garniture panneau, lunette d'observation	B30753
8	Panneau séparateur	B30488
9	Diviseur de plénum	B30478
10	Plancher	B30472
11	Ass. panneau de côté gauche	B30509-02
12	Isolation du panneau de côté gauche	B30493-04
13	Ass. panneau arrière	B30511
14	Ass. porte du ventilateur (libelles incluses)	B30512
15	Tiroir à filtre	B30507
16	Filtre de papier 20 X 20 X 1	Z04F004
17	Ass. panneau de côté droit	B30509-01
18	Isolation du panneau de côté droit	B30493-03
19	Support de filtre droit	B30479-01
20	Support de filtre gauche	B30479-02
21	Garniture, joint extrudé 1/4" X 1/8" X 25'	J06L002
22	Ass. panneau avant (libelles incluses)	B30701-01
23	Isolation du panneau avant	B30417
24	Rondelle 3/8" AA zinc	F06F005
25	Ecrou six pans 3/8-16NC laiton	F07F024
26	Rondelle lunette d'observation	B30752
27	Ecrou six pans à bride 3/8-16NC laiton	F070001
28A	Bride de sortie 5" (application cheminée)	B30459
28B	Bride de sortie 3" (combustion scellée)	B30515
29	Garniture, bride de sortie	B30415-02
30	Couvercle de boîte électrique (sans cosmétique)	B40085
31	Boîte électrique (boîte seule)	B30514
32	Commutateur à bascule SPST (ventilation continue)	L07F003

ITEM	DESCRIPTION	NUMERO
33	Contrôle limiteur	R021005
34	Transformateur 120/24 VAC / 40 VA	K03040
35	Relais SPDT 24VAC	L01H009
36	Bornier à vis 6 positions	L05F011
37	Roue de ventilateur 10 X 10	Z01L002
38	Support de condensateur	B01024
39	Condensateur 5 MF	L01I001
40	Fils électriques, ventilateur	B30057
41	Attache câble vissé	F11F007
42	Support de ventilateur	B30473
43	Moteur 1/3 HP à entraînement direct (avec pattes)	B01890-01
44	Ass. de la sangle de moteur (pattes, bande et vis)	B01888
45A	Ventilateur 10 X 10 (bâti et roue)	Z01I004
45B	Ass. Ventilateur (items 38, 39, 43, 45 inclus)	B01405-03
46	Amortisseur de caoutchouc #19	Z01F006
47	Bande scellante	B01291-01
48	Langouette	B01025-99
49	Garniture, couvercle d'accès	B30415-01
50	Plaque de bride	B30487
51	Ecrou six pans à bride 3/8-16NC laiton	F070001
52	Couvercle d'accès	B30486
53	Commutateur à bascule SPST (alimentation principale)	L07F016
54	Bornier à vis 6 positions	A00336
55	Deflecteur de plancher	B40481
56	Garniture, couvercle d'accès	B30415-02
57	Garniture, brûleur	B30534
58	Garniture, couvercle d'accès	B30415-02
59	Garniture, plaque d'étanchéité	B30533
60A	Assemblage lunette d'observation	K30011
60B	Ensemble pour test de pression, dessus du feu	K30012
61	Garniture, vitre d'observation	B30055
62	Vitre d'observation	B30041-01

**LISTE DE PIÈCES**  
**Modèle : OLB6-R097-130-5, #Série > 264 000**

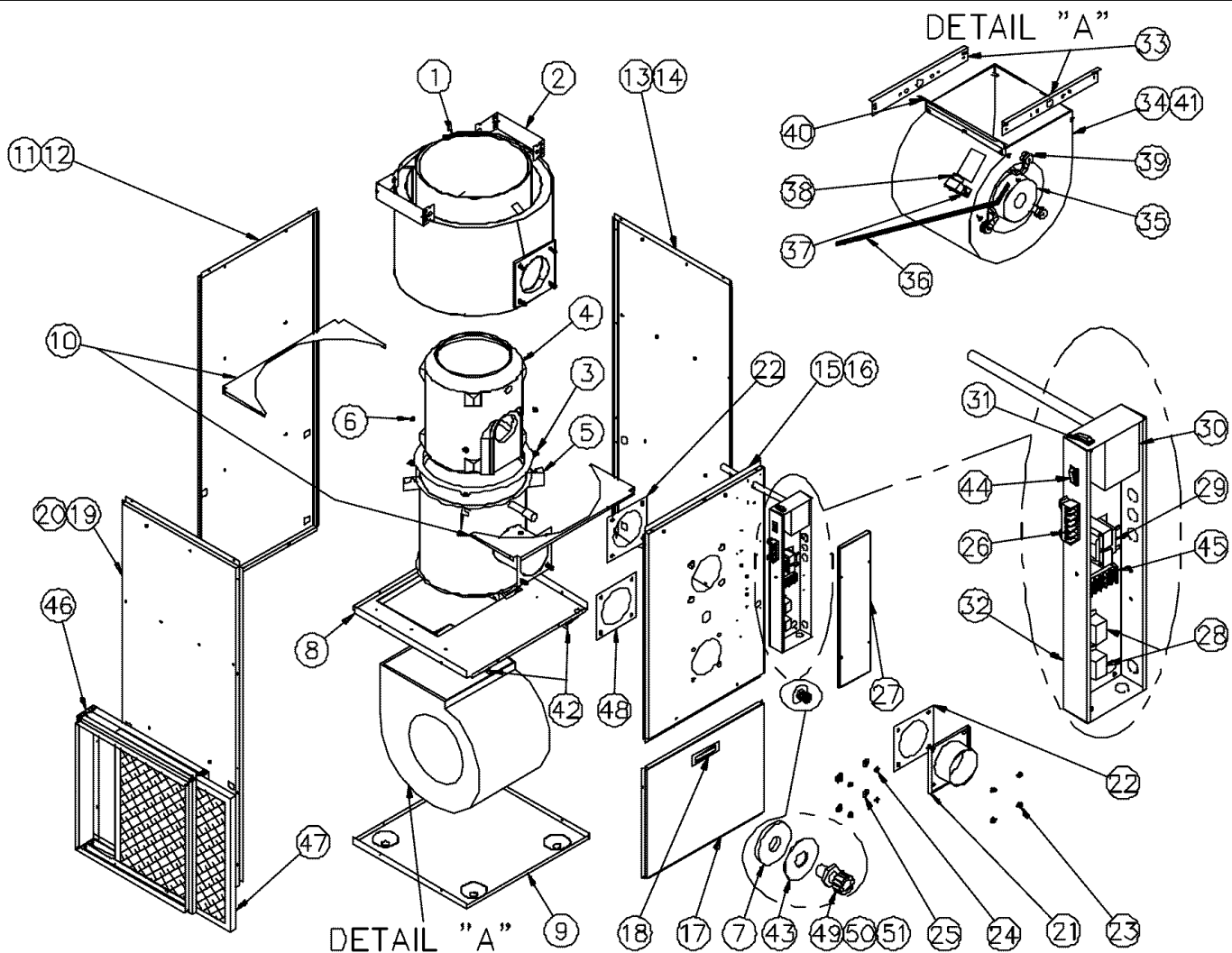


DNS-0583 Rév. D

ITEM	DESCRIPTION	NUMERO
1	Échangeur de chaleur complet (chambre combustion incluse)	B30786-02
2	Echangeur de chaleur supérieur	B30596
3	Chambre à combustion (item 7 inclus)	B30584
4	Ecrou six pans à bride 3/8-16NC laiton	F07O001
5	Garniture panneau, lunette d'observation	B30753
6	Echangeur de chaleur inférieur	B30787
7	Garniture, l'échangeur	B30532
8	Garniture, de brûleur	B30534
9	Garniture, d'échangeur	B30415-02
10	Déflecteur avant	B30665
11	Déflecteur arrière	B30664
12	Panneau séparateur	B30666
13	Diviseur de plénum	B30669
14	Déflecteur de plancher	B30481
15	Plancher	B30633
16	Ass. panneau de côté gauche	B30680-02
17	Isolation du panneau de côté gauche	B30686-02
18	Support de filtre du bas coté gauche	B30668-02
19	Support de filtre du haut coté gauche	B30667
20	Langouette	B10256-99
21	Bande scellante	B01291-02
22	Ass. porte du ventilateur (libelles incluses)	B30683
23	Tiroir à filtre	B30678
24	Ass. panneau arrière	B30682
25	Garniture, bride de sortie	B30589-01
26A	Bride de sortie 8" (application cheminée)	B30646
26B	Bride de sortie 4" (combustion scellée)	B30647
27	Ecrou six pans à bride 3/8-16NC laiton	F07O001
28	Garniture, joint extrudé 1/4" X 1/8" X 25'	J06L002
29	Ass. panneau de côté droit	B30680-01
30	Isolation du panneau de côté droit	B30686-01
31	Support de filtre du bas coté droit	B30668-01
32	Support de filtre du haut coté droit	B30667

ITEM	DESCRIPTION	NUMERO
33	Ass. panneau avant (libelles incluses)	B30782-01
34	Isolation du panneau avant	B30780
35	Rondelle, tube d'observation	B30752
36	Rondelle 3/8" AA zinc	F06F005
37	Ecrou six pans 3/8-16NC laiton	F07F024
38	Filtre de papier 16 X 24 X 1	Z04F007
39	Plaque de bride	B30676
40	Ecrou six pans à bride 3/8-16NC laiton	F07O001
41	Couvercle d'accès	B30486
42	Couvercle de boîte électrique (sans cosmétique)	B40085
43	Bornier à vis 6 positions	L05F011
44	Commutateur à bascule SPST (alimentation principale)	L07F016
45	Commutateur à bascule SPST (ventilation continue)	L07F003
46	Boîte électrique (boîte seule)	B30514
47	Contrôle limiteur	R021005
48	Transformateur 120/24 VAC / 40 VA	K03040
49	Bornier à vis 6 positions	A00336
50	Relais SPDT 24VAC	L01H009
51	Amortisseur de caoutchouc #19	Z01F006
52	Support de ventilateur	B01756
53	Fils électriques, ventilateur	B30530-01
54	Connecteur pression SR-9P-2	L04I010
55	Support de condensateur	B01024
56	Condensateur 15 MF	L01015
57	Roue de ventilateur 12 X 10	Z01L003
58A	Ventilateur 12 X 10 (bâti et roue)	Z01I008
58B	Ass. Ventilateur (items 55, 56, 58 et 60 inclus)	B01406-06
59	Ass. de la sangle de moteur (pattes, bande et vis)	B01889
60	Moteur 3/4 HP à entraînement direct (sans pattes)	L06I004
61A	Assemblage lunette d'observation	K30011
61B	Ensemble pour test de pression, dessus du feu	K30012
62	Garniture, vitre d'observation	B30055
63	Vitre d'observation	B30041-01

**LISTE DE PIÈCES**  
**Modèle : OHB5-F059-085-3, #Série > 264 000**



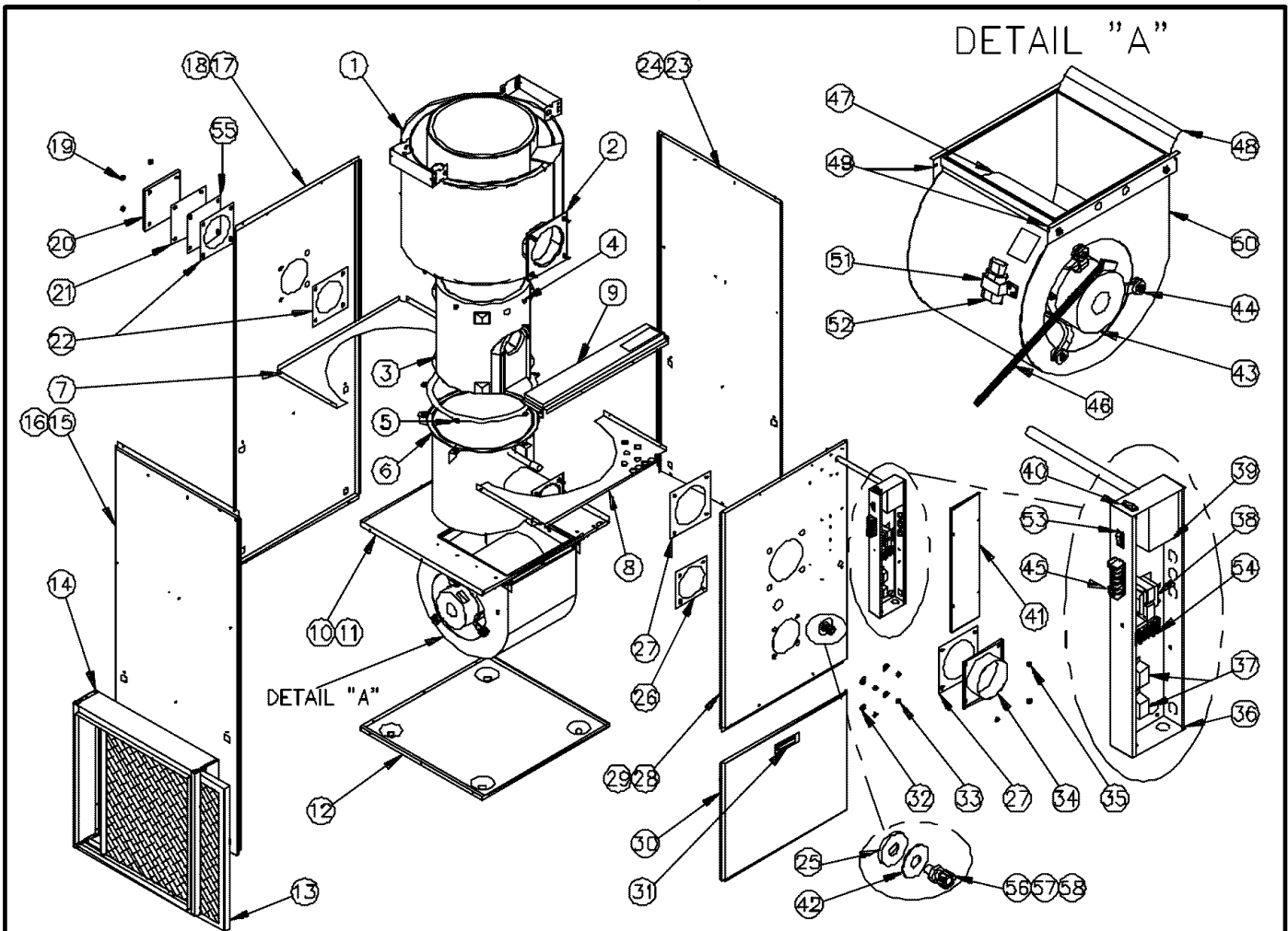
DNS-0579 Rév. E

ITEM	DESCRIPTION	NUMÉRO
1	Échangeur de chaleur complet (chambre combustion incluse)	B30756-01
2	Échangeur de chaleur supérieur	B30465-01
3	Garniture, échangeur	B30517
4	Chambre à combustion (item 3 inclus)	B30414
5	Échangeur de chaleur inférieur	B30757
6	Ecrou six pans a bride 3/8-16NC laiton	F07O001
7	Garniture, panneau lunette d'observation	B30753
8	Panneau séparateur	B30431
9	Plancher	B30430
10	Défecteur	B30426
11	Ass. panneau arrière	B30457
12	Isolation du panneau arrière	B30419
13	Ass. panneau de côté droit	B30458-01
14	Isolation du panneau de côté droit	B30418
15	Ass. panneau avant (libelles incluses)	B30760-01
16	Isolation du panneau avant	B30761
17	Ass. porte du ventilateur (libelles incluses)	B30455
18	Poignée de porte	Z99F050
19	Ass. panneau de côté gauche	B30458-02
20	Isolation du panneau de côté gauche	B30418
21A	Bride de sortie 5" (application cheminée)	B30459
21B	Bride de sortie 3" (combustion scellée)	B30515
22	Garniture, bride de sortie	B30415-02
23	Ecrou six pans à bride 3/8-16NC laiton	F07O001
24	Ecrou six pans 3/8-16NC laiton	F07F024
25	Rondelle 3/8" AA zinc	F06F005
26	Bornier à vis 6 positions	L05F011

ITEM	DESCRIPTION	NUMÉRO
27	Couvercle de boîte électrique (sans cosmétique)	B40085
28	Relais SPDT 24VAC	L01H009
29	Transformateur 120/24 VAC / 40 VA	K03040
30	Contrôle limiteur	R021005
31	Commutateur à bascule SPST (ventilation continue)	L07F003
32	Boîte électrique (boîte seule)	B30514
33	Glissière du ventilateur	B30433
34	Roue de ventilateur 10 X 10	Z01L002
35	Moteur 1/2 HP à entraînement direct (sans pattes)	L06H004
36	Fils électriques, ventilateur	B30096
37	Support de condensateur	B01024
38	Condensateur 7.5 MF	L011002
39	Ass. de la sangle de moteur (pattes, bande et vis)	B01888
40	Bande scellante	B01291-01
41A	Ventilateur 10 X 10 (bâti et roue)	Z011004
41B	Ass. Ventilateur (items 35, 37, 38 et 41 inclus)	B01979-01
42	Glissière de ventilateur	B30513
43	Rondelle, tube d'observation	B30752
44	Commutateur à bascule SPST (alimentation principale)	L07F016
45	Bornier à vis 6 positions	A00336
46	Ass. du support de filtre (fourni comme un option)	B30083
47	Filter de papier 20 X 20 X 1 (grosseur support de filtre)	Z04F004
48	Garniture, brûleur	B30534
49A	Assemblage, tube d'observation	K30111
49B	Ensemble pour test de pression, dessus du feu	K30012
50	Garniture, vitre d'observation	B30055
51	vitre d'observation	B30041-01



**LISTE DE PIÈCES**  
**Modèle : OHB6-F097-130-5, #Série > 264 000**

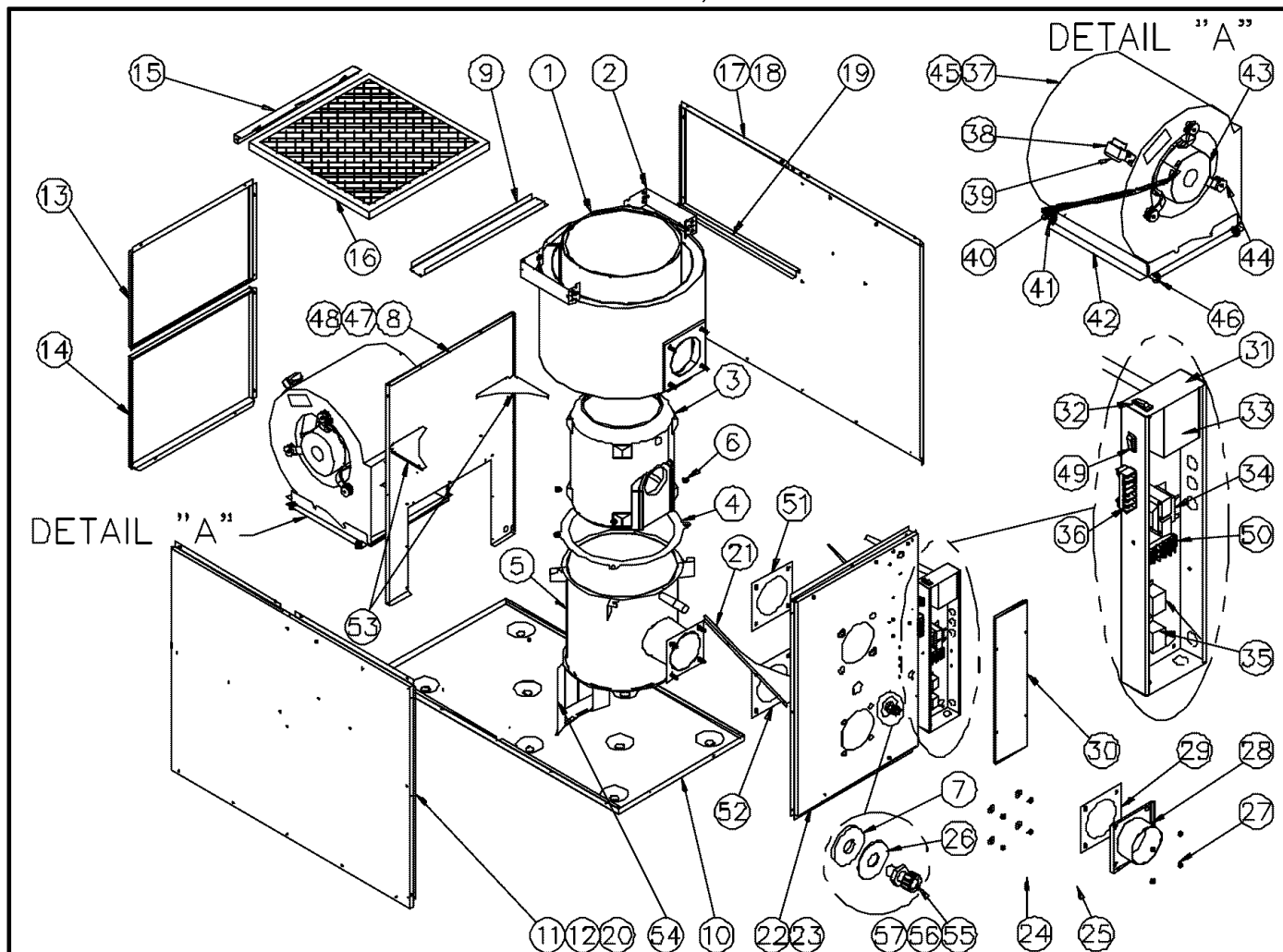


DNS-0582 Rév. D

ITEM	DESCRIPTION	NUMÉRO
1	Échangeur de chaleur complet (chambre combustion incluse)	B30785-01
2	Échangeur de chaleur supérieur	B30597
3	Chambre à combustion (item 5 inclus)	B30584
4	Ecrou six pans à bride 3/8-16NC laiton	F070001
5	Garniture de l'échangeur	B30532
6	Échangeur de chaleur inférieur	B30787
7	Défecteur arrière	B30619
8	Défecteur avant	B30618
9	Défecteur du haut	B30639
10	Panneau séparateur	B30627
11	Support de glissière du ventilateur	B30625
12	Plancher	B30628
13	Filtre de papier 24 X 24 X 1 (grosseur support de filtre)	Z04F011
14	Ass. du support de filtre (fourni comme un option)	B30666
15	Ass. panneau de côté gauche	B30653-02
16	Isolation du panneau de côté gauche	B30658
17	Ass. panneau arrière	B30652
18	Isolation du panneau arrière	B30659
19	Ecrou six pans à bride 3/8-16NC laiton	F070001
20	Plaque de bride	B30487
21	Garniture couvercle d'accès	B30415-01
22	Garniture couvercle d'accès	B30415-02
23	Ass. panneau de côté droit	B30653-01
24	Isolation du panneau de côté droit	B30658
25	Garniture panneau, lunette d'observation	B30753
26	Garniture de brûleur	B30534
27	Garniture de bride de sortie	B30589-01
28	Ass. panneau avant (libelles incluses)	B30781-01
29	Isolation du panneau avant	B30779
30	Ass. porte du ventilateur (libelles incluses)	B30651
31	Poignée de porte	Z99F050

ITEM	DESCRIPTION	NUMÉRO
32	Rondelle 3/8" AA zinc	F06F005
33	Ecrou six pans 3/8-16NC laiton	F07F024
34A	Bride de sortie 6" (application cheminée)	B30646
34B	Bride de sortie 4" (combustion scellée)	B30647
35	Ecrou six pans à bride 3/8-16NC laiton	F070001
36	Boîte électrique (boîte seule)	B30514
37	Relais SPDT 24VAC	L01H009
38	Transformateur 120/24 VAC / 40 VA	L01F009
39	Contrôle limiteur	R021005
40	Commutateur à bascule SPST (ventilation continue)	L07F003
41	Couvercle de boîte électrique (sans cosmétique)	B40085
42	Rondelle, lunette d'observation	B30753
43	Moteur .85 HP à entraînement direct (sans pattes)	L06K001
44	Ass. de la sangle de moteur (pattes, bande et vis)	B01889
45	Bornier à vis 6 positions	L05F011
46	Ens. électrique du ventilateur	B30530
47	Roue de ventilateur 12 X 10	Z01L003
48	Bande scellante	B01291-01
49	Glissière du ventilateur	B30626
50A	Ventilateur 12 X 10 (bâti et roue)	Z011008
50B	Ass. Ventilateur (items 43, 50A, 51 et 52 inclus)	B02167-01
51	Support de condensateur	B01024
52	Condensateur 10 MF	L011003
53	Commutateur à bascule SPST (alimentation principale)	L07F016
54	Bornier à vis 6 positions	A00336
55	Plaque d'étanchéité	B30533
56A	Assemblage lunette d'observation	K30011
56B	Ensemble pour test de pression, dessus du feu	K30012
57	Garniture, vitre d'observation	B30055
58	Vitre d'observation	B30041-01

**LISTE DE PIÈCES**  
Modèle : OLB5-F059-085-3, #Série > 264 000

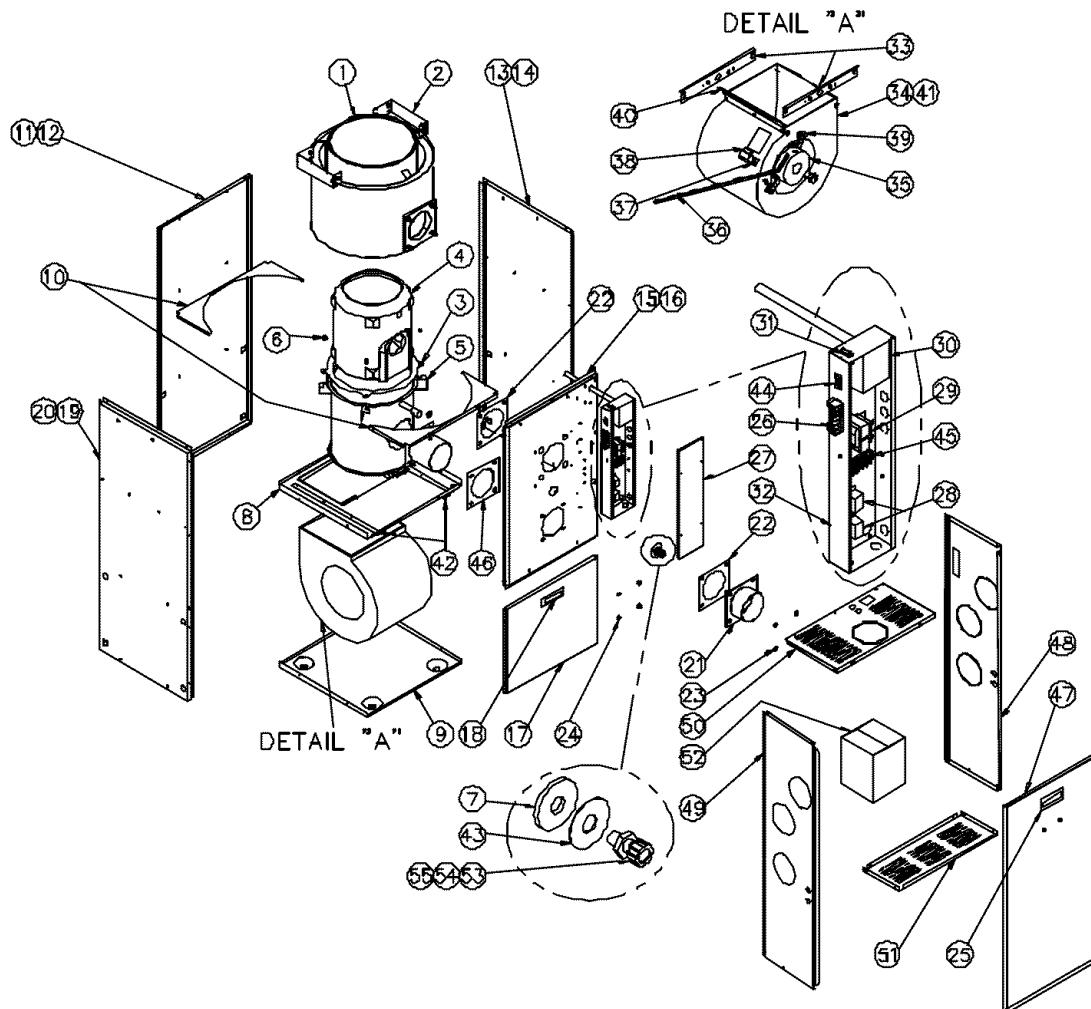


DNS-0581 Rév. C

ITEM	DESCRIPTION	NUMÉRO
1	Échangeur de chaleur complet (chambre combustion incluse)	B30756-01
2	Échangeur de chaleur supérieur	B30465-01
3	Chambre à combustion (item 4 inclus)	B30414
4	Garniture, échangeur	B30517
5	Échangeur de chaleur inférieur	B30757
6	Ecrou six pans à bride 3/8-16NC laiton	F070001
7	Garniture panneau, lunette d'observation	B30753
8	Panneau séparateur	B30477
9	Diviseur de plénum	B30478
10	Plancher	B30472
11	Ass. panneau de côté gauche	B30504-02
12	Isolation du panneau de côté gauche	B30493-02
13	Ass. panneau arrière	B30506
14	Ass. porte du ventilateur (libelles incluses)	B30512
15	Tiroir à filtre	B30507
16	Filtre de papier 20 X 20 X 1	Z04F004
17	Ass. panneau de côté droit	B30504-01
18	Isolation du panneau de côté droit	B30493-01
19	Support de filtre droit	B30479-01
20	Support de filtre gauche	B30479-02
21	Défecteur avant	B30483
22	Ass. panneau avant (libelles incluses)	B30767-01
23	Isolation du panneau avant	B30761
24	Rondelle 3/8" AA zinc	F06F005
25	Ecrou six pans 3/8-16NC laiton	F07F024
26	Rondelle, lunette d'observation	B30752
27	Ecrou six pans à bride 3/8-16NC laiton	F070001
28	Bride de sortie 5" (application cheminée)	B30459
28A	Bride de sortie 3" (combustion scellée)	B30515
29	Garniture, bride de sortie	B30415-02

ITEM	DESCRIPTION	NUMÉRO
30	Couvercle de boîte électrique (sans cosmétique)	B40085
31	Boîte électrique (boîte seule)	B30514
32	Commutateur à bascule SPST (ventilation continue)	L07F003
33	Contrôle limiteur	R02I005
34	Transformateur 120/24 VAC / 40 VA	K03040
35	Relais SPDT 24VAC	L01H009
36	Bornier à vis 6 positions	L05F011
37	Roue de ventilateur 10 X 10	Z01L002
38	Support de condensateur	B01024
39	Condensateur 5 MF	L01I001
40	Fils électriques, ventilateur	B30057
41	Attache câble vissé	F11F007
42	Support de ventilateur	B30473
43	Moteur 1/3 HP à entraînement direct (avec pattes)	B01890-01
44	Ass. de la sangle de moteur (pattes, bande et vis)	B01888
45	Ventilateur 10 X 10 (bâti et roue)	Z01I004
45A	Ass. Ventilateur (items 38, 39, 43 et 45)	B01405-03
46	Amortisseur de caoutchouc #19	Z01F006
47	Garniture, bande scellante	B01291-01
48	Languette	B30188-02
49	Commutateur à bascule SPST (alimentation principale)	L07F016
50	Bornier à vis 6 positions	A00336
51	Garniture, bride de sortie	B30415-02
52	Garniture, brûleur	B30534
53	Défecteur arrière	B30490
54	Défecteur de plancher	B30480
55A	Assemblage lunette d'observation	K30011
55B	Ensemble pour test de pression, dessus du feu	K30012
56	Garniture, vitre d'observation	B30055
57	Vitre d'observation	B30041-01

**LISTE DE PIÈCES**  
**Modèle : NOUF105A12B # Série > 264 000**

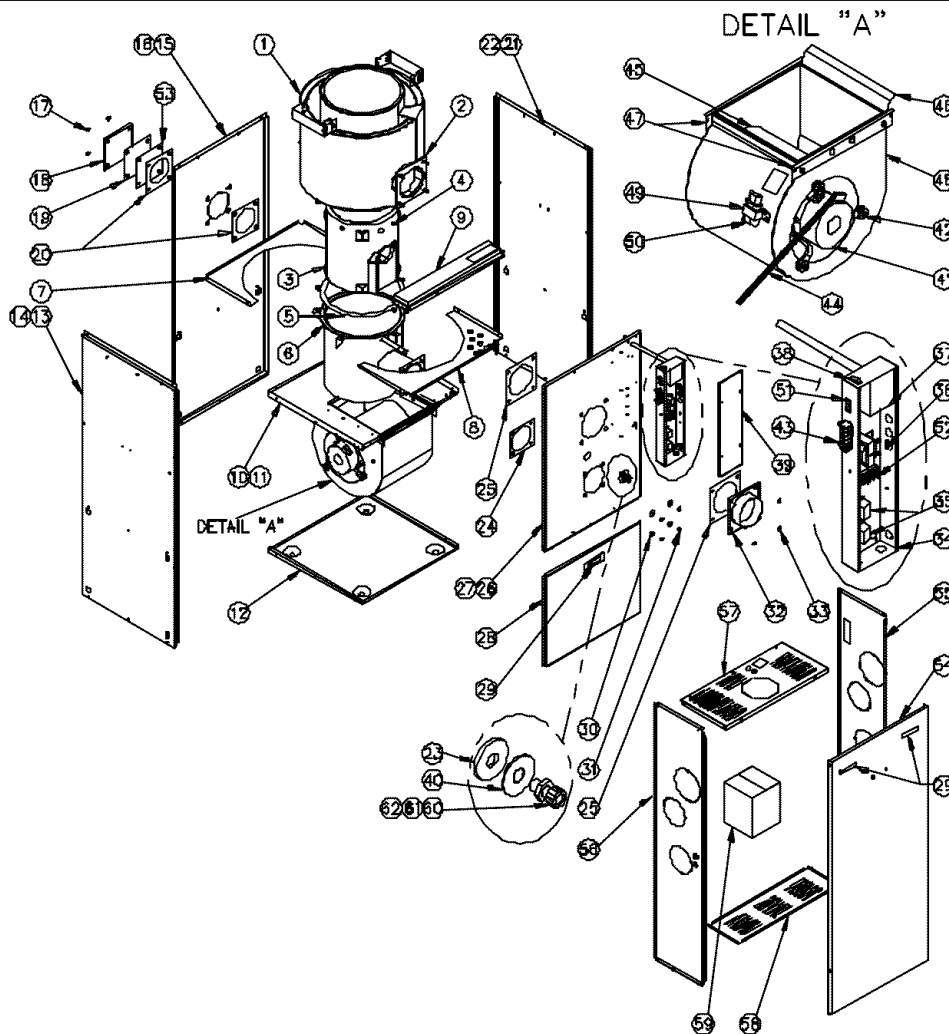


DNS-0681 Rév. D

ITEM	DESCRIPTION	MANUFAC.
1	Échangeur de chaleur complet ( chambre combustion incluse )	B30756-01
2	Échangeur de chaleur supérieur	B30465-01
3	Garniture, échangeur	B30517
4	Chambre a combustion (item 3 inclus)	B30414
5	Échangeur de chaleur inférieur	B30757
6	Ecrou six pan à bride 3/8-16NC laiton	F07O001
7	Garniture panneau, lunette d'observation	B30753
8	Panneau séparateur	B30431
9	Plancher	B30430
10	Défecteur	B30426
11	Ass. panneau arrière	B30457
12	Isolation du panneau arrière	B30419
13	Ass. panneau de coté droit	B30458-01
14	Isolation du panneau de coté droit	B30418
15	Ass. panneau avant ( libelles incluses )	B30760-01
16	Isolation du panneau avant	B30761
17	Ass. porte du ventilateur ( libelles incluses )	B30455
18	Poignée de porte	Z99F050
19	Ass. panneau de coté gauche	B30458-02
20	Isolation du panneau de coté gauche	B30418
21A	Bride de sortie 5" ( application cheminée )	B30459
21B	Bride de sortie 3" ( application combustion scellée )	B30515
22	Garniture, bride de sortie	B30415-02
23	Ecrou six pan à bride 3/8-16NC laiton	F07O001
24	Ecrou six pan 3/8-16NC laiton	F07F024
25	Poignée de porte	Z99F050
26	Bornier à vis 6 positions	L05F011
27	Couvercle de boîte électrique ( sans cosmétique )	B40085
28	Relais SPDT 24VAC	L01H009

ITEM	DESCRIPTION	MANUFAC.
29	Transformateur 120/24 VAC / 40 VA	L01F009
30	Contrôle limiteur	R02I005
31	Commutateur à bascule SPST	L07F003
32	Boîte électrique ( boîte seule )	B30514
33	Glissière du ventilateur	B30433
34	Roue de ventilateur 10 X 10	Z01L002
35	Moteur 1/2 HP a entrainement direct ( sans pattes )	L06H004
36	Fils électrique, ventilateur	B30096
37	Support de condensateur	B01024
38	Condensateur 7.5 MF	L01I002
39	Ass. de la sangle de moteur ( pattes, bande et vis )	B01888
40	Bande scellante	B01291-01
41A	Ventilateur 10 X 10 ( bati et roue )	Z01I004
41B	Ass. ventilateur ( items 35, 37, 38, et 41A inclus )	B01979-01
42	Support de glissière de ventilateur	B30513
43	Rondelle, tube d'observation	B30752
44	Commutateur à bascule SPDT ( alimentation principale )	L07F016
45	Bornier à vis 6 positions	A00336
46	Garniture, brûleur	B30534
47	Porte avant, vestibule	B40293
48	Panneau de coté droit, vestibule	B30725
49	Panneau de coté gauche, vestibule	B30726
50	Panneau du haut, vestibule	B30723
51	Panneau du bas, vestibule	B30724
52	Régulateur de tirage	Z06F001
53A	Assemblage lunette d'observation	K30011
53B	Ensemble pour test de pression, dessus du feu	K30012
54	Garniture, vitre d'observation	B30055
55	Vitre d'observation	B30041-01

**LISTE DE PIÈCES**  
Modèle : NOUF160B18B # Série > 264 000

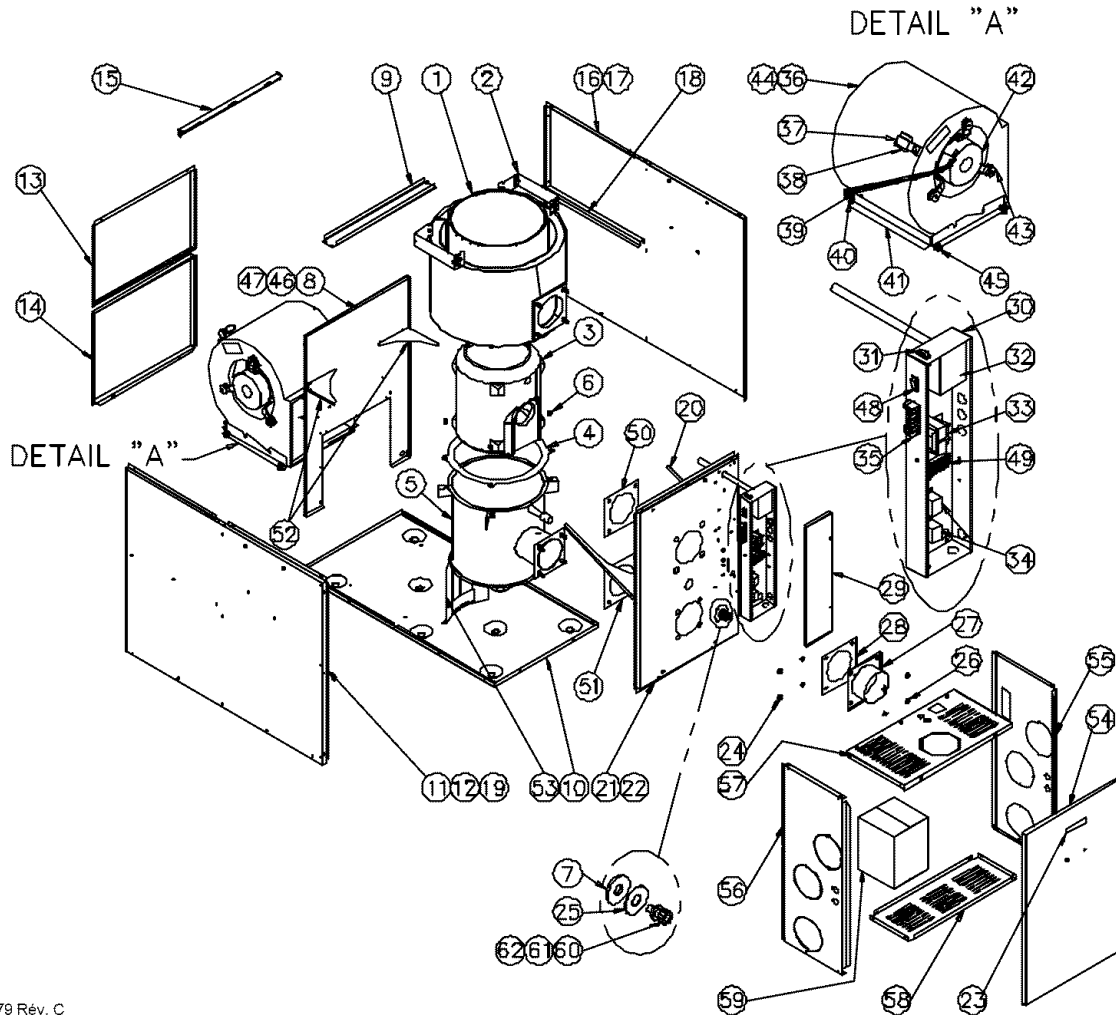


DNS-0680 Rév. C

ITEM	DESCRIPTION	MANUFAC.
1	Échangeur de chaleur complet (chambre combustion incluse )	B30786-01
2	Échangeur de chaleur supérieur	B30597
3	Chambre a combustion (item 5 inclus )	B30584
4	Écrou six pan à bride 3/8-16NC laiton	F070001
5	Garniture, échangeur	B30532
6	Échangeur de chaleur inférieur	B30787
7	Défecteur arrière	B30619
8	Défecteur avant	B30618
9	Défecteur du haut	B30639
10	Panneau séparateur	B30627
11	Support de glissière du ventilateur	B30625
12	Plancher	B30628
13	Ass. Panneau de coté gauche	B30653-02
14	Isolation du panneau de coté gauche	B30658
15	Ass. Panneau arrière	B30652
16	Isolation du panneau arrière	B30659
17	Écrou six pan à bride 3/8-16NC laiton	F070001
18	Plaque de bride	B30487
19	Garniture, couvercle d'accès	B30415-01
20	Garniture, couvercle d'accès	B30415-02
21	Ass. Panneau de coté droit	B30653-01
22	Isolation du panneau de coté droit	B30658
23	Garniture panneau, lunette d'observation	B30753
24	Garniture de brûleur	B30534
25	Garniture de bride de sortie	B30589-01
26	Ass. Panneau avant ( libelles incluses )	B30781-01
27	Isolation du panneau avant	B30779
28	Ass. Porte du ventilateur ( libelle inclus )	B30651
29	Poignée de porte	Z99F050
30	Rondelle 3/8" AA zinc	F06F005
31	Écrou six pan 3/8-16NC laiton	F07F024
32A	Bride de sortie 6" ( application cheminée )	B30646
32B	Bride de sortie 4" ( application combustion scellée )	B30647

ITEM	DESCRIPTION	MANUFAC.
33	Écrou six pan 3/8-16NC laiton	F070001
34	Boite électrique ( boîte seule )	B30514
35	Relais SPDT 24VAC	L01H009
36	Transformateur 120/24 VAC / 40 VA	L01F009
37	Contrôle limiteur	R02I005
38	Commutateur à bascule SPST ( ventilation continue )	L07F003
39	Couvercle de boîte électrique ( sans cosmétique )	B40085
40	Rondelle, lunette d'observation	B30752
41	Moteur ,85 HP à entraînement direct ( avec pattes )	L06K001
42	Ass de la sangle du moteur ( pattes, bande et vis )	B01889
43	Bornier à vis 6 positions	L05F011
44	Ens. électrique du ventilateur	B30530
45	Roue de ventilateur 12 X 10	Z01L003
46	Bande scellante	B01291-01
47	Glissière du ventilateur	B30626
48A	Ventilateur 12 X 10 (avec pattes)	Z01I008
48B	Ass. Ventilateur ( items 41, 48A, 49 et 50 inclus )	B02167-01
49	Support de condensateur	B01024
50	Condensateur 10 MF	L01I003
51	Commutateur à bascule SPST ( alimentation principale )	L07F016
52	Bornier à vis 6 positions	A00336
53	Plaque d'étanchéité	B30533
54	Porte du vestibule	B40295
55	Panneau droit du vestibule	B30632
56	Panneau gauche du vestibule	B30633
57	Panneau du dessus du vestibule	B30732
58	Panneau du dessous du vestibule	B30728
59	Régulateur de tirage	Z06F001
60A	Assemblage lunette d'observation	K30011
60B	Ensemble pour test de pression, dessus du feu	K30012
61	Garniture, vitre d'observation	B30055
62	Vitre d'observation	B30041-01

**LISTE DE PIÈCES**  
**Modèle : NOLF105A12B # Série > 264 000**



DNS-0679 Rév. C

ITEM	DESCRIPTION	MANUFAC.
1	Échangeur de chaleur complet (chambre a combustion incluse )	B30756-01
2	Échangeur de chaleur supérieur	B30465-01
3	Chambre à combustion (item 4 inclus)	B30414
4	Garniture, échangeur	B30517
5	Échangeur de chaleur inférieur	B30757
6	Écrou six pan à bride 3/8-16NC laiton	F07O001
7	Garniture panneau, lunette d'observation	B30753
8	Panneau séparateur	B30477
9	Diviseur de plenum	B30478
10	Plancher	B30472
11	Ass. Panneau de coté gauche	B30504-02
12	Isolation du panneau de coté gauche	B30493-02
13	Ass. Panneau arrière	B30506
14	Ass. Porte du ventilateur ( libelle incluse )	B30512
15	Tirroir à filtre	B30507
16	Ass. Panneau de coté droit	B30504-01
17	Isolation du panneau de coté droit	B30493-01
18	Support de filtre droit	B30479-01
19	Support de filtre gauche	B30479-02
20	Défecteur avant	B30483
21	Ass. Panneau avant ( libelles incluses )	B30767-01
22	Isolation de panneau avant	B30761
23	Poignée de porte	Z99F050
24	Écrou six pan 3/8-16NC laiton	F07F024
25	Rondelle, tube d'observation	B30752
26	Écrou six pan 3/8-16NC laiton	F07O001
27A	Bride de sortie 5" ( application cheminée )	B30459
27B	Bride de sortie 3" ( application combustion scellée )	B30515
28	Garniture, bride de sortie	B30415-02
29	Couvercle de boîte électrique ( sans cosmetique )	B40085
30	Boîte électrique (boîte seule )	B30514
31	Commutateur à bascule SPST (ventilation continue )	L07F003
32	Contrôle limiteur	R02F005

ITEM	DESCRIPTION	MANUFAC.
33	Transformateur 120/24 VAC / 40 VA	L01F009
34	Relais SPDT 24VAC	L01H009
35	Bornier à vis 6 positions	L05F011
36	Roue de ventilateur 10 X 10	Z01L002
37	Support de condensateur	B01024
38	Condensateur 5 MF	L011001
39	Ens. Électrique du ventilateur	B30057
40	Attache cable vissé	F11F007
41	Support de ventilateur	B30473
42	Moteur 1/3 HP à entraînement direct ( avec pattes )	B01890-01
43	Ass. De la sangle du moteur ( pattes, bande et vis )	B01888
44A	Ventilateur 10 X 10 ( bâti et roue )	Z011004
44B	Ass. Ventilateur ( items 37, 38, 42 et 44A inclus )	B01405-03
45	Amortisseur de caoutchouc # 19	Z01F006
46	Bande scellante	B01291-01
47	Languette	B01025-99
48	Commutateur à bascule SPST ( alimentation principale )	L07F016
49	Bornier à vis 6 positions	A00336
50	Garniture, bride de sortie	B30415-02
51	Garniture de brûleur	B30534
52	Défecteur arrière	B30490
53	Défecteur de plancher	B30480
54	Porte du vestibule	B40292
55	Panneau droit du vestibule	B30729
56	Panneau gauche du vestibule	B30730
57	Panneau du dessus du vestibule	B30723
58	Panneau du dessous du vestibule	B30724
59	Régulateur de tirage	Z06F001
60A	Assemblage lunette d'observation	K30011
60B	Ensemble pour test de pression, dessus du feu	K30012
61	Garniture, vitre d'observation	B30055
62	Vitre d'observation	B30041-01