



Bike pod

Model: AD202

The AD202 bike pod is equipped with the latest 2.4GHz ANT+ Sports System to achieve reliable transmission linkage with other devices.

PACKAGE ITEMS

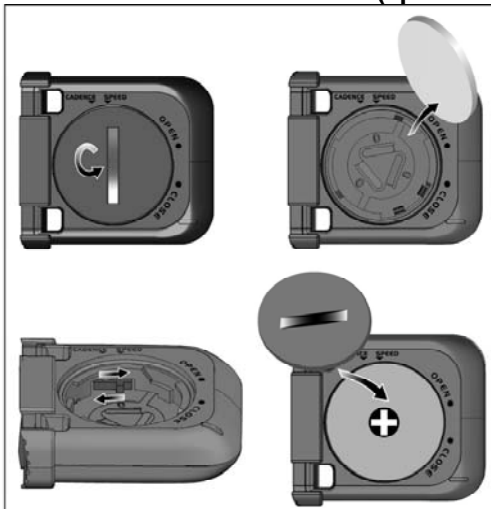
The package should include the following items:

- 1 x AD202 bike pod and cushion
- 1 x magnet (plastic base)
- 1 x magnet (with screw)
- 6 x nylon cable ties
- 1 x CR2032 3V lithium batteries (already installed in bike pod)

SELECT MEASUREMENT MODE

This bike pod measures speed and cadence. First decide what you wish to measure as the positioning of the bike pod depends on the chosen measurement mode.

To select measurement mode (speed / cadence):



1. Use a coin to open the battery compartment lid by turning it anticlockwise.
2. Remove the battery.
3. Slide switch to select SPEED or CADENCE (refer to markings on the unit).
4. Put battery back into place.
5. Secure the lid by turning clockwise.
6. Insert sensor into the provided cushion to help achieve a better grip on the bicycle.

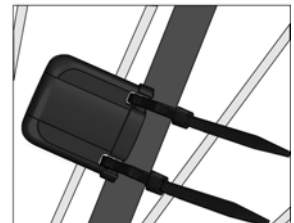
INSTALLING THE BIKE POD

SPEED

1. Position sensor onto one side of the bicycle fork, with logo visible.

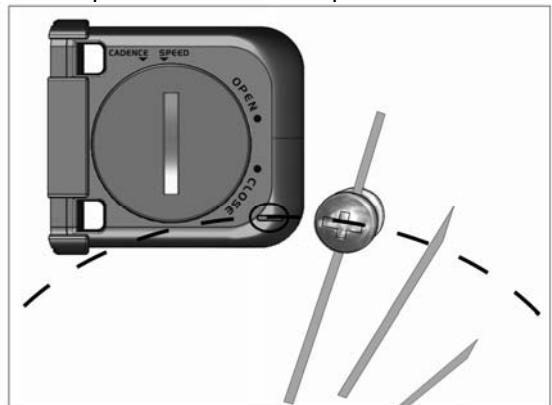


2. Thread a nylon cable tie through each of the holes on the sensor. Loop cable tie around the bicycle fork, then thread the end through the opening and past the ratchet. Pull to secure into place.



TIP Cut away unnecessary cable tie to avoid it being caught in the wheel while in motion.

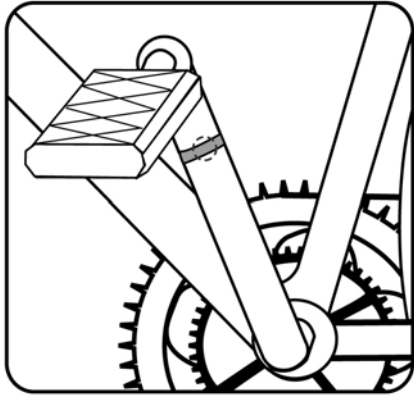
3. Unscrew magnet and press slot onto spoke, with flat magnet surface facing sensor.
4. Using the alignment notch as a guide, position magnet so that it will pass the sensor at the correct position. Screw into place.



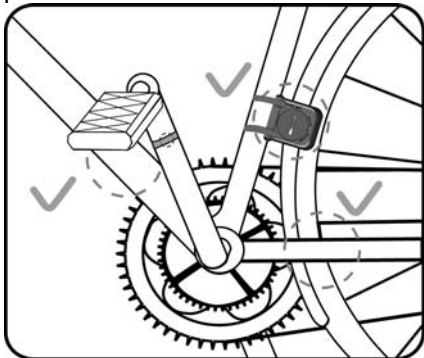
NOTE Improper alignment may affect sensor's performance.

CADENCE

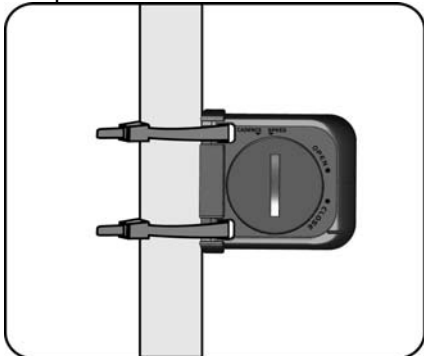
1. Choose the crank arm which is not on the same side as the chain ring. Place magnet (with plastic base) onto the crank arm of the pedal, making sure the magnet faces the chain ring.



2. Thread a nylon cable tie through each of the holes on the sensor. Loop cable tie around the crank arm then thread the end through the opening and past the ratchet. Pull to secure into place.
3. Using the alignment notch as a guide, position sensor on any bar which is along the magnet's path.



4. With the battery compartment facing the magnet, thread a nylon cable tie through each hole on the sensor. Loop cable tie around the bar then thread the end through the opening and past the ratchet. Pull to secure into place.



NOTE Improper alignment may affect sensor's performance.

TIP Cut away unnecessary cable tie to avoid it being caught in the wheel while in motion.

PAIRING DEVICE

The AD202 can be paired with your heart rate monitor (watch) or sports accessory to provide speed / cadence readings. The bike pod has a

maximum transmission range of about 62.5 centimeters (25 inches).

To pair with Oregon Scientific heart rate monitors that use the 2.4GHz ANT+ Sports System, please refer to below pairing instructions.

To pair with sports accessories or heart rate monitors of another make, please refer to manufacturer's instructions.

PAIR WITH OREGON SCIENTIFIC SPORTS ACCESSORIES / HEART RATE MONITORS

NOTE While pairing, make sure to stay away from other devices and move the device to pair close to the watch.

1. Press **MODE** repeatedly to select **WDEV**. The watch will show how many and which devices are paired (if any). If no device is paired, the watch will show "0 DEVICE PAIRED".
2. Press **SET** to enter "PAIR DEVICE?". Press **SET** to start pairing.

When the bike pod is paired successfully, the watch will display



NOTE If pairing is weak and unstable:

- Shorten the distance between the device and watch.
- Re-adjust the position of the device.
- Check the batteries. Replace them when necessary.

If the watch is already paired with a bike pod, you have to first delete the bike pod before you are able to pair with another bike pod.

INPUT BIKE WHEEL SIZE

NOTE The watch will not show "WHEEL SIZE" if no bike pod is paired.

If your watch is paired with bike pod, the watch will prompt you to input the wheel size values. Go directly to step 5.

For normal setting procedure, start with step 1.

1. Press **MODE** repeatedly to select **WDEV**.
2. Press **SET**.

- Press **ST/LAP/+** repeatedly to select "WHEEL SIZE".
- Press **SET**.
- Input the bike wheel size by pressing **ST/LAP/+** to increase values or **-/SP** to decrease values.
- Press **SET** to confirm.

BIKE WHEEL SIZE

Match the ETRTO or wheel size diameter printed on the wheel with the wheel size setting at the right hand column of the table below. Input the relevant wheel size setting number after bike pod is paired.

ETRTO	Wheel size diameter (inches)	Wheel size setting (mm)
25-559	26 x 1.0	1884
23-571	650 x 23C	1909
35-559	26 x 1.50	1947
37-622	700 x 35C	1958
47-559	26 x 1.95	2022
20-622	700 x 20C	2051
52-559	26 x 2.0	2054
23-622	700 x 23C	2070
25-622	700 x 25C	2080
28-622	700 x 28	2101
32-622	700 x 32C	2126
42-622	700 x 40C	2189
47-622	700 x 47C	2220

NOTE Wheel sizes on this table are for reference only as wheel size depends on the wheel type and air pressure.

REMOVE PAIRED DEVICE

NOTE The watch will not show "DEVICE REMOVE" if no device is paired.

- Press **MODE** repeatedly to select **WDEV**.
- Press **SET**.
- Press **ST/LAP/+** repeatedly to select "DEVICE REMOVE?".
- Press **SET**.
- Press **ST/LAP/+** to select which device to delete.
- Press **SET** to confirm selection.

REPLACE BATTERY

If the watch indicates sensor battery is low, replace batteries promptly as it may affect the accuracy of the readings.

To replace the sensor battery:



- Use a coin to open the battery compartment lid by turning it anticlockwise.
- Remove the old battery and insert a new CR2032, 3V lithium battery.
- Secure the lid by turning the coin clockwise.






IMPORTANT Remember to pair device after every battery replacement or reset.

CARE INSTRUCTIONS

- Do not wrap the sensor in a wet towel nor with other wet materials.
- Do not place or wash the sensor under running water, instead clean it with a wet cloth.
- Do not store the sensor in a hot (about 50°C) and humid (about 90%) environment.

WATER RESISTANCE

The AD202 is water-resistant up to 10 meters (32.8 feet). Not recommended to use for swimming.

					
	RAIN SPLASHES ETC	SHOWERING (WARM / COOL WATER ONLY)	LIGHT SWIMMING / SHALLOW WATER	SHALLOW DIVING / SURFING / WATER SPORTS	SNORKELING / DEEP WATER DIVING
10M / 32.8 FT	OK	NO	NO	NO	NO

NOTE Ensure the battery compartment is secured and intact before exposing to excessive water.

SPECIFICATIONS

Power	1 x CR2032 3V lithium battery
Operating temperature	5°C to 40°C (41°F to 104°F)
Storage temperature	-20°C to 60°C (-4°F to 140°F)

PRECAUTIONS

To ensure you use your product correctly and safely, read these warnings and the entire user manual before using the product:

- Use a soft, slightly moistened cloth. Do not use abrasive or corrosive cleaning agents, as these may cause damage. Never use the products in hot water or store them when wet.
- Do not subject the product to excessive force, shock, dust, temperature changes, or humidity. Never expose the product to direct sunlight for extended periods. Such treatment may result in malfunction.
- Do not tamper with the internal components. Doing so will terminate the product warranty and may cause damage. The main unit contains no user-serviceable parts.

- Do not scratch hard objects against the LCD display as this may cause damage.
- Take precautions when handling all battery types.
- Remove the batteries whenever you are planning to store the product for a long period of time.
- When replacing batteries, use new batteries as specified in this user manual.
- The product is a precision instrument. Never attempt to take this device apart. Contact the retailer or our customer service department if the product requires servicing.
- Do not touch the exposed electronic circuitry, as there is a danger of electric shock.
- Check all major functions if the device has not been used for a long time. Maintain regular internal testing and cleaning of your device. Have your watch serviced by an approved service center annually.
- When disposing of this product, ensure it is collected separately for special treatment and not as normal household waste.
- Due to printing limitations, the displays shown in this manual may differ from the actual display.
- The contents of this manual may not be reproduced without the permission of the manufacturer.

NOTE The technical specifications for this product and the contents of the user manual are subject to change without notice.

NOTE Features and accessories will not be available in all countries. For more information, please contact your local retailer.

ABOUT OREGON SCIENTIFIC

Visit our website (www.oregonscientific.com) to learn more about Oregon Scientific products.

If you're in the US and would like to contact our Customer Care department directly, please visit: www2.oregonscientific.com/service/support.asp

For international inquiries, please visit: www2.oregonscientific.com/about/international.asp



FCC / IC STATEMENT

This device complies with Part 15 of the FCC Rules. Operation is subject to the following two conditions: (1) This device may not cause harmful interference, and (2) This device must accept any interference received, including interference that may cause undesired operation.

WARNING Changes or modifications not expressly approved by the party responsible for compliance could void the user's authority to operate the equipment.

NOTE This equipment has been tested and found to comply with the limits for a Class B digital device, pursuant to Part 15 of the FCC Rules. These limits are designed to provide reasonable protection against harmful interference in a residential installation.

This equipment generates, uses and can radiate radio frequency energy and, if not installed and used in accordance with the instructions, may cause harmful interference to radio communications. However, there is no guarantee that interference will not occur in a particular installation. If this equipment does cause harmful interference to radio or television reception, which can be determined by turning the equipment off and on, the user is encouraged to try to correct the interference by one or more of the following measures:
 Reorient or relocate the receiving antenna.
 Increase the separation between the equipment and receiver.
 Connect the equipment into an outlet on a circuit different from that to which the receiver is connected.
 Consult the dealer or an experienced radio / TV technician for help.

DECLARATION OF CONFORMITY

The following information is not to be used as contact for support or sales. Please visit our website at www2.oregonscientific.com/service for all enquiries.

We
 Name: Oregon Scientific, Inc.
 Address: 19861 SW 95th Ave., Tualatin, Oregon 97062 USA
 Telephone No.: 1-800-853-8883

declare that the product
 Product No.: AD202
 Product Name: Bike pod
 Manufacturer: IDT Technology Limited
 Address: Block C, 9/F, Kaiser Estate, Phase 1, 41 Man Yue St., Hung Hom, Kowloon, Hong Kong

is in conformity with Part 15 of the FCC Rules. Operation is subject to the following two conditions:
 1) This device may not cause harmful interference.
 2) This device must accept any interference received, including interference that may cause undesired operation.