



BLE connected weather station

Model: BAR218HG

User Manual

BLE connected weather station

Model: BAR218HG

User Manual

TABLE OF CONTENT

Introduction	3
Overview	3
Front view.....	3
Rear view.....	4
Remote sensor (THGN132N).....	4
Getting started	4
Insert batteries.....	4
Remote sensor	5
Sensor data transmission.....	5
Clock	5
Manually set clock.....	5
Weather forecast	6
Weather warning message	6
Temperature and humidity	6
Ice warning.....	7
Weather trends.....	7

Moon phase	7
Backlight	7
Reset	7
Connect with your mobile device	7
Pairing your weather station.....	8
Settings.....	8
View current readings.....	9
View history readings.....	10
Precautions	10
Specifications	11
About Oregon Scientific	12
Eu-Declaration of conformity	12
FCC & IC statement	12

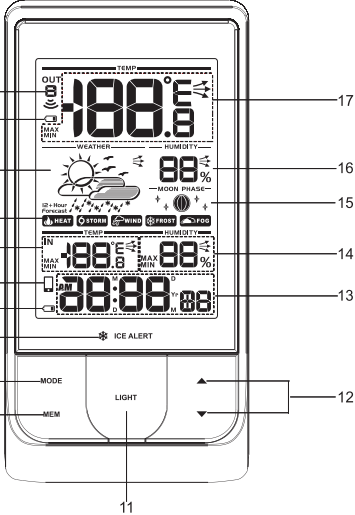








INTRODUCTION

Thank you for selecting our Oregon Scientific™ BLE connected weather station
BLE connected weather station
 In addition, it is also carried out the changeable display between indoor and outdoor temperatures.


NOTE Please keep this manual handy as you use your new product. It contains practical step-by-step instructions, as well as technical specifications and warnings you should know about.

OVERVIEW

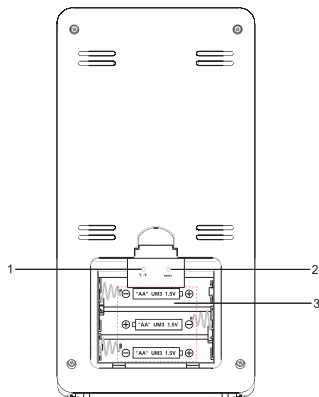
FRONT VIEW

- 
- Remote sensor reception indicator and outdoor channel selected
 - : Outdoor remote sensor battery low
 - 12+ Hour Forecast:** Next 12 hour Weather forecast and pressure trend
 -      : weather warning message
 - Indoor temperature reading (current/**MAX/MIN**) with temperature trend
 -  BLE connection indicator
 - : Main unit battery low
 - Ice alert LED indicator
 - MODE:** Change settings / display
 - MEM:** View current, maximum and minimum temperature / humidity
 - LIGHT:** Activate backlight
 - ▲ / ▼:** Increase / decrease value of the settings; toggle only **▲** button to select outdoor channels (1-5); activate / deactivate pairing mode.
 - AM/PM** : Morning/afternoon

MD/DM/Yr: Calendar / clock with weekday (hour : minute with second display)

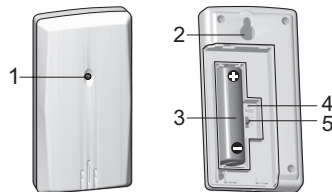
14. Indoor humidity reading (current / **MAX** / **MIN**) with humidity trend
15. Moon phase display
16.  : Outdoor humidity (current /**MAX**/**MIN**) with humidity trend
17. Outdoor temperature reading (current/**MAX**/**MIN**) with temperature trend

REAR VIEW



1. °C / °F: Select temperature unit
2. **RESET**: Reset the unit to default settings
3. Battery compartment

REMOTE SENSOR (THGN132N)




1. LED status indicator
2. Wall mount hole
3. Battery compartment
4. **RESET** hole
5. **CHANNEL** switch

GETTING STARTED

INSERT BATTERIES

1. Remove the battery compartment.
2. Insert the batteries, matching the polarities (+/-).
3. Press **RESET** after each battery change.

 LOCATION	MEANING
Clock / alarm area	Main unit batteries low
Outdoor temperature area	Sensor batteries low

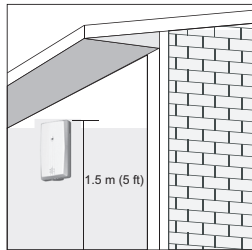
REMOTE SENSOR

The main unit can collect data from up to 5 sensors.

To set up the sensor:

1. Open the battery compartment.
2. Select a channel then press **RESET**.
3. Close the battery door.
4. Place the sensor within 98 ft (30 m) of the main unit using the table stand or wall mount.

TIP Ideal placements for the sensor would be in any location on the exterior of the home at a height of not more than 5 ft (1.5 m) and which can shield it from direct sunlight or wet conditions for an accurate reading.



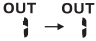
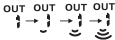

NOTE Use alkaline batteries for longer usage and consumer grade lithium batteries in temperatures below freezing.

SENSOR DATA TRANSMISSION

To search for a sensor:

Press and hold **▲** and **MODE** at a time.

The sensor reception icon in the remote sensor area shows the status:

ICON	DESCRIPTION
	Main unit is searching for sensor(s).
	A channel has been found.
	The sensor cannot be found.

TIP The transmission range may vary depending on many factors. You may need to experiment with various locations to get the best results.

CLOCK

MANUALLY SET CLOCK

1. Press and hold **MODE**.
2. Press **▲** or **▼** to change the settings.
3. Press **MODE** to confirm.

4. The settings order is: 12/24 hour format, hour, minute, year, calendar format (day-month / month-day), month, day and language.






The language options are English (E), German (D), French (F), Italian (I), and Spanish (S).

To select display mode:

Toggle **MODE** to choose among clock with seconds / weekday / calendar / moon phase.






WEATHER FORECAST

This product forecasts the next 12 hours of weather within a 19-31 mile (30-50 km) radius.

	Sunny
	Partially Cloudy
	Cloudy
	Rainy
	Snowy

WEATHER WARNING MESSAGE

The weather warning messages provide indications of probable circumstances that may arise based on the weather station's calculations. The meanings for the warnings are illustrated below:

WARNING	MESSAGE
 HEAT	Risk of high temperatures
 WIND	Risk of fast wind speeds
 STORM	Risk of a storm
 FOG	Risk of foggy conditions
 FROST	Risk of icy conditions

TEMPERATURE AND HUMIDITY

To select temperature unit:

- Select °C or °F for temperature readings by a pin or the top of a pen.

To select an outdoor sensor's readings:

- Toggle ▲ to select your desired sensor reading.

To auto-scan among sensors:

- Press and hold ▼ and **MEM** at a time to display each sensor's data for 3 seconds.
- To end, press ▲.

To display current, minimum and maximum records of the day from a selected sensor:

- Toggle **MEM**.

To clear the records:

- Press and hold **MEM**.

ICE WARNING

If the channel 1 sensor falls from 37°F to 28°F (3°C to -2°C), LED indicator will flash, and will stop flashing once the temperature is out of this range.

- Press ▲ and ▼ at the same time to disable the ice alert warning.

NOTE As ice alert is only applicable to channel 1, to prevent flashing of LED, select channel 2-5 on outdoor sensor.









WEATHER TRENDS

The temperature, humidity and pressure trend icons are based on recent sensor readings.

RISE	STEADY	FALL
		

MOON PHASE

In moon phase mode, press ▲ or ▼ to scan through the years (2001 to 2099).

	New moon		Full moon
	Waxing crescent		Waning gibbous
	First quarter		Third quarter
	Waxing gibbous		Waning crescent

NOTE Star icons around the moon phase will be displayed from 6 o'clock in the evening to 6 o'clock the next morning.

BACKLIGHT

Press **LIGHT** to activate backlight for 5 seconds.

RESET

Press **RESET** to return to the default settings.


CONNECT WITH YOUR MOBILE DEVICE

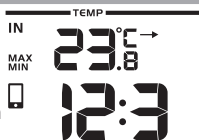
You can remotely set the weather station and read the weather information through Bluetooth 4.0 using your mobile device with the downloaded application from the Apple Store and the Google Play Store. To quickly find the application, type 'Weather@Home' as keyword in the search engine.


Ensure your mobile device is compatible with iOS 5 or Android 4.3 with Bluetooth 4.0.




PAIRING YOUR WEATHER STATION



First of all, you need to pair your weather station with your mobile device.  will flash on the screen of the weather station while pairing and be on after successful pairing.



Press  to enable a pair-up for the main unit for 30 seconds.






1. Tap  to enter **SETTINGS** screen
2. Tap on **STATION** area.
3. Tap **Pair Up. Searching...** displays. If you want to cancel the pairing, tap **Cancel**.
4. Once the pairing is successful, it will return to **STATION** screen.

5. Tap on each channel to rename it. (Up to 20 characters including space are allowed). Tap  if completed. Tap  to exit.

To remove sensor:

To remove any sensor from the weather station, Tap **Remove Station** on **STATION** screen, all the sensors will be removed at the same time.

To reposition the sensors on screen:

1. On **STATION** screen, tap .
2. Press and hold  at the right side of a sensor. Drag it to your desired position.
3. Tap  to confirm.



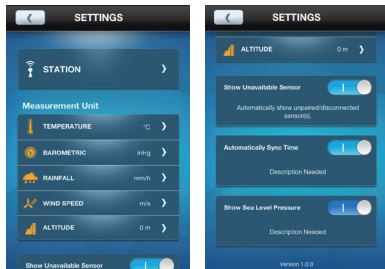
SETTINGS

You can set your weather station through the application, such as measurement units.

The settings are as follows:

- Temperature
- Barometric
- Rainfall (not available in BAR218HG)

- Wind speed (not available in BAR218HG)
- Altitude
- Show Unavailable Sensor
- Automatically Sync Time
- Show Sea Level Pressure



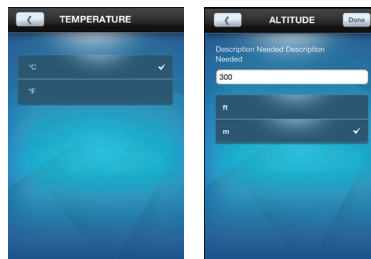
To select the measurement unit:

1. Tap to view the measurement unit options.
2. Tap on your desired unit.
3. Tap to go back to the previous screen.

To set altitude:

The altitude reflects the distance from sea level at your position.

1. Fill in the altitude of your main unit in the blank.
2. Tap **Done**.



VIEW CURRENT READINGS

You can directly view all the weather readings from different sensors through the application at a time. The readings are in **HOME** screen.

NOTE If low battery icon displays on the screen, please replace the batteries for the corresponding device.



To show unavailable sensor:

If the sensor is out of range, the readings are interrupted and — (dash mode) displays on the screen. If you do not want to show the unavailable sensor:

- On **SETTINGS** screen, touch and slide the button to right to turn on the function, or sliding to left to turn it off.

To automatically synchronize time:

Time and date on your weather station could be automatically synchronized by your mobile device.

- On **SETTINGS** screen, touch and slide the button to right to turn on the function, or sliding to left to turn it off.

To show sea level pressure:

After the altitude is input, you can view the sea level pressure on the **HOME** screen.

- On **SETTINGS** screen, touch and slide the button to right to turn on the function, or sliding to left to turn it off.







NOTE When altitude is set to 0 meter, the pressure reading is the local pressure. If the altitude is set to the current location, the new pressure reading will be displayed as a sea level pressure.

VIEW HISTORY READINGS

You can view history through the application. The

history could also be presented in graphs (past 24 hours or past 7 days).

To view the history:

- Tap on your desired sensor area on the screen.
- Tap    to select your desired data or tap  to sort the data by date.



 A screenshot of the 'SELECT DATE' screen. It shows a list of dates from Monday, December 4th to Tuesday, December 28th. Each date is followed by the current temperature and a 24-hour temperature range. At the bottom, there is a 'SHOW ALL DATE' button.

Date	Temperature	24h Range
MON 4 DEC	10.5 c	34 c
SUN 3 DEC	10.5 c	34 c
SAT 2 DEC	10.5 c	34 c
FRI 1 DEC	10.5 c	34 c
THU 30 NOV	10.5 c	34 c
WED 29 NOV	10.5 c	34 c
TUE 28 DEC	10.5 c	34 c

PRECAUTIONS

- Do not subject the unit to excessive force, shock, dust, temperature or humidity.
- Do not cover the ventilation holes with any items such as newspapers, curtains etc.
- Do not immerse the unit in water. If you spill liquid over it, dry it immediately with a soft, lint-free cloth.

- Do not clean the unit with abrasive or corrosive materials.
- Do not tamper with the unit's internal components. This invalidates the warranty.
- Only use fresh batteries. Do not mix new and old batteries.
- Images shown in this manual may differ from the actual display.
- When disposing of this product, ensure it is collected separately for special treatment and not as household waste.
- Placement of this product on certain types of wood may result in damage to its finish for which Oregon Scientific will not be responsible. Consult the furniture manufacturer's care instructions for information.
- The contents of this manual may not be reproduced without the permission of the manufacturer.
- Do not dispose old batteries as unsorted municipal waste. Collection of such waste separately for special treatment is necessary.
- Please note that some units are equipped with a battery safety strip. Remove the strip from the battery compartment before first use.

NOTE The technical specifications for this product and the contents of the user manual are subject to change without notice.

NOTE Features and accessories will not be available in all countries. For more information, please contact your local retailer.

SPECIFICATIONS

TYPE	DESCRIPTION
MAIN UNIT	
L x W x H	7.32 x 3.7 x 2.13 in 186 x 94 x 54 mm
Weight	223 g without battery
Temperature range	-5°C to 50°C (23°F to 122°F)
Signal frequency	433 MHz
Humidity range	25% - 95%
Power	3 x UM-3 (AA) 1.5V batteries
Temperature range	3°C to -2°C
REMOTE UNIT (THGN132N)	
L x W x H	50 x 22 x 96 mm (1.97 x 0.87 x 3.78 in)
Weight	62 g (2.22 ounces) without battery
Transmission range	98 ft (30 m) unobstructed
Temperature range	-40°C to 60°C (-40°F to 140°F)
Humidity range	25% - 95%
Power	1 x UM-3 (AA) 1.5 V battery

ABOUT OREGON SCIENTIFIC

Visit our website www.oregonscientific.com to learn more about Oregon Scientific products.

For any enquiry, please contact our Customer Services at info@oregonscientific.com.

Oregon Scientific Global Distribution Limited reserves the right to interpret and construe any contents, terms and provisions in this user manual and to amend it, at its sole discretion at any time without prior notice. To the extent that there is any inconsistency between the English version and any other language versions, the English version shall prevail.

EU-DECLARATION OF CONFORMITY

Hereby, Oregon Scientific, declares that BLE connected weather station (model: BAR218HG) is in compliance with the essential requirements and other relevant provisions of Directive 1999/05/EC. A copy of the signed and dated Declaration of Conformity is available on request via our Oregon Scientific Customer Service.



COUNTRIES RTTE APPROVED COMPLIED
All EU countries, Switzerland 
and Norway 

FCC & IC STATEMENT

This device complies with Part 15 of the FCC Rules. Operation is subject to the following two conditions: (1) This device may not cause harmful interference, and (2) This device must accept any interference received, including interference that may cause undesired operation.

WARNING Changes or modifications not expressly approved by the party responsible for compliance could void the user's authority to operate the equipment.

NOTE This equipment has been tested and found to comply with the limits for a Class B digital device, pursuant to Part 15 of the FCC Rules. These limits are designed to provide reasonable protection against harmful interference in a residential installation.

This equipment generates, uses and can radiate radio frequency energy and, if not installed and used in accordance with the instructions, may cause harmful interference to radio communications. However, there is no guarantee that interference will not occur in a particular installation. If this equipment does cause harmful interference to radio or television reception, which can be determined by turning the equipment off and on, the user is encouraged to try to correct the interference by one or more of the following measures:

- Reorient or relocate the receiving antenna.
- Increase the separation between the equipment and receiver.

Connect the equipment into an outlet on a circuit different from that to which the receiver is connected.

Consult the dealer or an experienced radio / TV technician for help.

DECLARATION OF CONFORMITY

The following information is not to be used as contact for support or sales. Please call our customer service number (listed on our website at

www.oregonscientific.com), or on the warranty card for this product) for all inquiries instead.

We

Name: Oregon Scientific, Inc.
Address: 10778 SW Manhasset Dr. UNIT B-2
Tualatin, OR 97062 USA
Telephone No.: 1-800-853-8883

Declare that the product

Product No.: Model: BAR218HG
Manufacturer: IDT Technology Limited
Address: Block C, 9/F, Kaiser Estate,
Phase 1,41 Man Yue St.,
Hung Hom, Kowloon,
Hong Kong.