



Age 14+

**Huger board Mik**  
SMS608  
User Manual

**INTRODUCTION**

Thank you for purchasing the Huger board Mik. Please read this user manual before using your new product.

This product is the most state of art skateboard design on the market and Li-Po battery powered for high performance. It is controlled with the wireless controller and our dedicated App, max speed up to 25 KM/H with 20 KM travel distance per one charger that make you enjoy the most fun of skating.

Note: Please keep this manual handy as you use your new product. It contains practical step-by-step instructions, as well as technical specifications and warnings you should know about.

**IMPORTANT SAFETY PRECAUTIONS!**

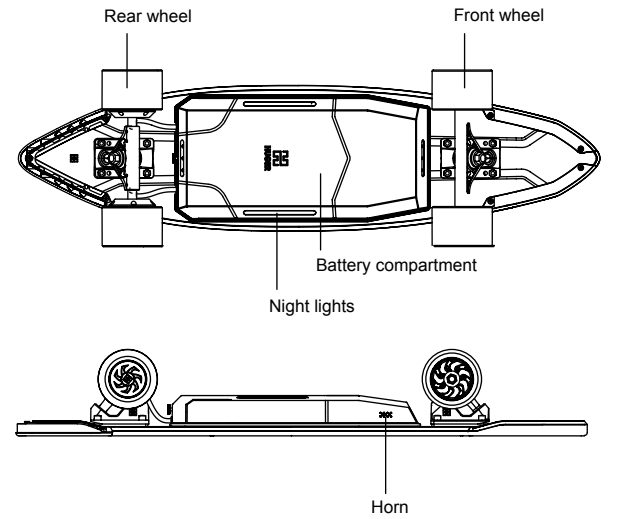
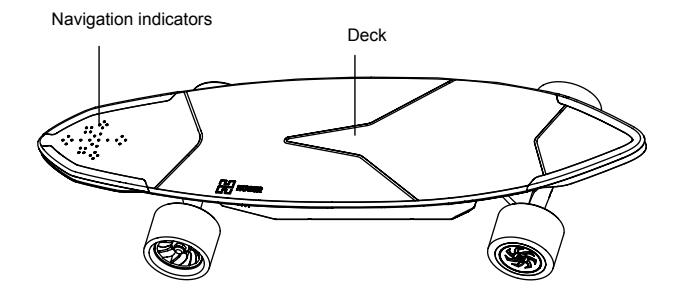
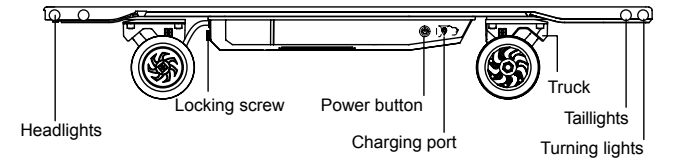
- The product is only suitable for the user over the age of 14. Children under 14 years of age must be accompanied by parents to play.
- Please wear protective equipments, such as: helmet, elbow and knee pads. Please wear the right clothes to play. Do not barefoot or play on the beach. Fasten the shoelaces, do not let the shoelaces contact the wheels and drive system, causing danger.
- Beginners/novices are recommended to use/practice at low speed and on a dry, flat surface.
- Check the surroundings before playing. For the user who is unfamiliar with the operations must be far away from crowds. Improper operation may cause serious body injury and property damage.
- Adjust the front and rear wheels to ensure they run freely before playing.
- Adjust the flexibility of the damping shim by the locknut.
- Do not touch the motor and the brakes during running or just after use to avoid hot.
- This product is designed for people with safe driving ability. Please place the skateboard in a place where children under 8 years of age are not touched.
- Please comply with local laws and regulations and use it in places where electric skateboards are allowed.
- Please be careful to drive. Accidentally encountered obstacles in the process will cause the skateboard out of control. Please be careful to avoid pedestrians and other means of transport (such as: balance cars, skateboards, bicycles, etc.).

- Please use the skateboard in a suitable outdoor environment, and press the remote control after standing steadily on the skateboard. Do not arbitrarily accelerate skateboard in other environment.
- Do not try the action of the skateboard on the electric skateboard, such as bounce, jerk and other actions.
- Only play on a flat, open road. Do not play on potholes, gravels, gravel, muddy, rugged, ramps. Do not play on a smooth or wet ground, such as snow, ice, slippery ground, to prevent slipping.
- Do not use the product on the carpet or places that not suitable for playing.
- Do not use the skateboard in rain and snow.
- Do not use skateboards at night or in poor vision.
- Do not use your phone or headphones while playing.
- Do not hook the skateboard on other vehicles or drag other objects.
- Do not immerse the product in water, and the electronic drive parts will be damaged.
- For accessories replacement, only use the accessories with the same type and specifications.
- If you have any problem during using, operating, repairing, please contact customer service.

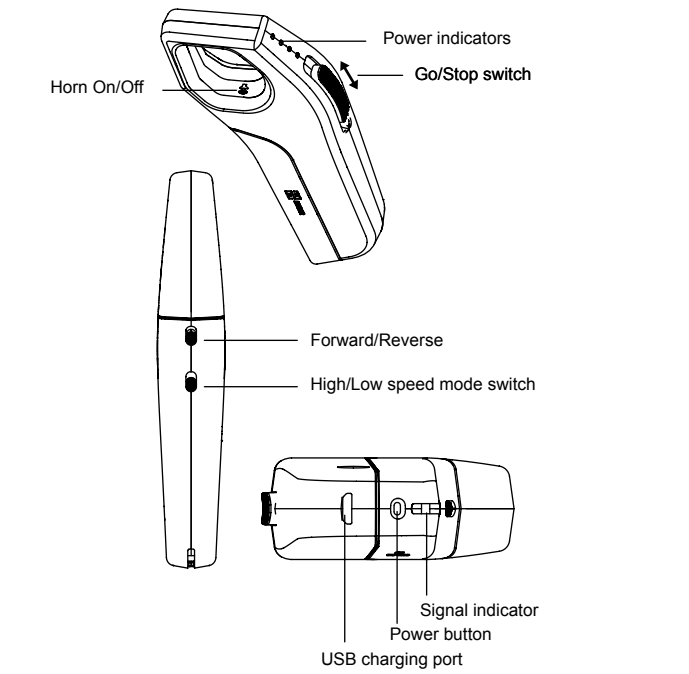
**PACKAGING CONTENTS**

- 1x Skateboard
- 1x Remote control
- 1x Charger
- 1x USB charging cable
- Charger extra adaptor
- 2x Name card
- 1x T tool
- 1x User manual

**OVERALL  
MAIN UNIT**



**REMOTE CONTROL**



**GETTING STARTED**

**DOWNLOAD APP**

Scan the following QR code or Search Oregon Scientific XXX to find the App to download on your smart device. The App is available on both Apple App Store and Google Play store.



**CHARGE**

Fully charge your skateboard and remote control before first use. Normal charging takes about 2.5 hours for the main unit and 1 hours for the remote.

1. Connect the supplied charger to the charging port of the skateboard, and then plug into a standard household outlet.

**OR**

1. Loosen the locking screw on the battery compartment and take out the battery pack to charge separately. The power indicator on the charger lights red during charging, and turns green when fully charged.
2. Connect the supplied USB charging cable to the charging port of the remote, and then plug into a computer or an adapter. The power indicator for the remote lights red during charging and turns green when fully charged.
3. Check the App to find the power capacity of the skateboard.
4. Check the power indicators on the remote to find the power capacity of the remote.

LEDs	Color	Power
3	Green	Full
2	Green	75%
1	Green	50%
1	Red	<25%

## PLAY YOUR SKATEBOARD

1. Press the power button to turn **on/off** the skateboard. The headlights turn on.
2. Press and hold the power button for 3 seconds to turn on/off the remote.
3. Push the **Go/Stop** switch forward to go, release to stop.
4. Double press the power button on the remote to turn **on/off** the headlights.
5. Changing the playing mode by **Forward/Reverse** and **High/Low** speed switches.

### NOTE

- Taillights beam in normal mode; Flash by automatically detect in stop mode.
- Left and right turning indicators will flash and are controlled by Gyroscope automatically when turning direction.

## APP OPERATIONS

Open the App, it will find the skateboard automatically. With the App, you can

- Navigate directions
- Check the power, light, speed status
- Set the horn sound and light colour
- Turn on/off the headlights and taillights
- Control the night lights

### NOTE

The navigation indicators on the deck will turn on and indicate the directions when using the GPS navigating function.

## PAIR SKATEBOARD WITH REMOTE

**NOTE:** The remote and the skateboard are paired in the factory. If a new remote is needed, pair the new remote with the skateboard before using.

1. Turn off the skateboard and the remote.
2. Pull the **Go/Stop** switch as far backwards as it will allow.
3. Turn on the remote. The Signal indicator of the remote flashes quickly.
4. Turn on the skateboard.
5. Release the **Go/Stop** switch. The Signal indicator of the remote lights steady. The remote and the skateboard are successfully paired.

## SPECIFICATIONS

Items	Specification	Remark
Drive Unit	2x 250 W brushless DC motor at rear wheels	at rear wheels
Speed	Normal Speed mode: ≤12 km/h	Setting by Remote contro
	High speed mode: : ≤32 km/h	
Endurance Mileage	Normal mode: ≤10 km	
	High speed mode: : ≤20 km	
Remote Control	BLE 4.0 module connected to Mobile	
	Pedal and brake control	
	Forward/Reverse control	
Battery	LG MG1 Power battery pack 36 V 4 Ah (20x 18650 - 3.6 V) (2200 mAh-10S2P)	
Size	800 mm x 255 mm x 114 mm	
Recharge Time	2~2.5 hr	
Wheel Base	Diameter: 83 mm	
Weight	About 6.1 kg	
Board Material	Canadian Maple Wood	
Max Load	100 kg	
Operation Conditions	-10 to 60 °C	≤85 % R.H.
Storage Condition	-20 to 80 °C	≤95 % R.H.

## LITHIUM BATTERY SAFETY INSTRUCTIONS

- Do not burn or bury batteries. Do not puncture or crush. Do not disassemble.
- Recycle lithium batteries. Do not dispose of in the trash
- If the electrolyte in the cells should get on your skin, thoroughly wash with soap and water.
- If in the eyes, rinse thoroughly with cool water. Immediately seek medical attention.

- The built-in battery may discharge completely after a long period without use. Recharge the battery before use.
- The skateboard should never be left unattended while charging.
- Use only the supplied charger and cable for charging.
- Charge batteries on a fireproof surface away from flammable items or liquids.
- Do not charge inside an automobile, especially while driving.
- Follow the instructions for charging. Do not charge longer than recommended. Unplug the USB cable when the battery is charged.

## PRECAUTIONS

- Do not subject the device to excessive force, shock, dust, temperature or humidity.
- Do not immerse the device in water. If you spill liquid over it, dry it immediately with a soft, lintfree cloth.
- Do not clean the device with abrasive or corrosive materials.
- Do not tamper with the device's internal components. Doing so invalidates the warranty.
- Images shown in this manual may differ from the actual display.
- When disposing of this product, ensure it is collected separately for special treatment.
- The contents of this manual may not be reproduced without the permission of the manufacturer.

**NOTE:** The technical specifications for this product and the contents of the user manual are subject to change without notice.

**NOTE:** Features and accessories will not be available in all countries. For more information, please contact your local retailer. To download an electronic version of the user manual, please visit <http://global.oregonscientific.com/customerSupport.php>.

## ABOUT OREGON SCIENTIFIC

Visit our website [www.oregonscientific.com](http://www.oregonscientific.com) to learn more about Oregon Scientific products.

For any inquiry, please contact our Customer Service at [info@oregonscientific.com](mailto:info@oregonscientific.com).

Oregon Scientific Global Distribution Limited reserves the right to interpret and construe any contents, terms and provisions in this user manual and to amend it, at its sole discretion, at any time without prior notice. To the extent that there is any inconsistency

between the English version and any other language versions, the English version shall prevail.

## FCC STATEMENT

This device complies with Part 15 of the FCC Rules. Operation is subject to the following two conditions: (1) This device may not cause harmful interference, and (2) This device must accept any interference received, including interference that may cause undesired operation.

**WARNING** Changes or modifications not expressly approved by the party responsible for compliance could void the user's authority to operate the equipment.

**NOTE** This equipment has been tested and found to comply with the limits for a Class B digital device, pursuant to Part 15 of the FCC Rules. These limits are designed to provide reasonable protection against harmful interference in a residential installation.

This equipment generates, uses and can radiate radio frequency energy and, if not installed and used in accordance with the instructions, may cause harmful interference to radio communications. However, there is no guarantee that interference will not occur in a particular installation. If this equipment does cause harmful interference to radio or television reception, which can be determined by turning the equipment off and on, the user is encouraged to try to correct the interference by one or more of the following measures:

- Reorient or relocate the receiving antenna.
- Increase the separation between the equipment and receiver.
- Connect the equipment into an outlet on a circuit different from that to which the receiver is connected.
- Consult the dealer or an experienced radio / TV technician for help.

This Class B digital apparatus complies with Canadian ICES-3(B)/NMB-3(B)

## DECLARATION OF CONFORMITY

The following information is not to be used as contact for support or sales. Please call our customer service number (listed on our website at [www.oregonscientific.com](http://www.oregonscientific.com)), or on the warranty card for this product for all inquiries instead.

**We**

Name: Oregon Scientific, Inc.  
Address: Centerpointe center 5 centerpointe drive, suite 400  
office no. 11 & 19 Lake oswego, oregon 97035

Telephone No.: 971-204-0378

### declare that the product

Product No.: SMS606

Product Name: Huger board Mik

Manufacturer: IDT Technology Limited

Address: Block C, 9/F, Kaiser Estate, Phase 1, 41 Man Yue St.,  
Hung Hom, Kowloon, Hong Kong

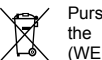
## EU – DECLARATION OF CONFORMITY

Hereby the manufacturer, IDT Technology Limited, declares that the radio equipment type [Huger board Mik (SMS606)] is in compliance with 2014/53/EU Directive. The full text of the EU Declaration of Conformity is available at the following internet address : [www.oregonscientific.com](http://www.oregonscientific.com)



**COUNTRIES RED APPROVED COMPLIED**  
All EU countries, Switzerland and Norway

## DISPOSAL INFORMATION FOR USERS

 Pursuant to and in accordance with Article 14 of the Directive 2012/19/EU of the European Parliament on waste electrical and electronic equipment (WEEE), and pursuant to and in accordance with Article 20 of the Directive 2013/56/EU of the European Parliament on batteries and accumulators and waste batteries.

The barred symbol of the rubbish bin shown on the equipment indicates that, at the end of its useful life, the product must be collected separately from other waste.

Please note that the batteries/rechargeable batteries must be removed from the equipment before it is given as waste. To remove the batteries/accumulators refer to the specifications in the user manual. Therefore, any products that have reached the

end of their useful life must be given to waste disposal centers specializing in separate collection of waste electrical and electronic equipment, or given back to the dealer when purchasing a new WEEE, pursuant to and in accordance with Article 14 as implemented in the country.

The adequate separate collection for the subsequent start-up of the equipment sent to be recycled, treated and disposal of in an environmentally compatible way contributes to preventing possible negative effects on the environment and health and optimizes the recycling and reuse of components making up the apparatus.

Abusive disposal of the product by the user involves application of the administrative sanctions according to the laws in force.