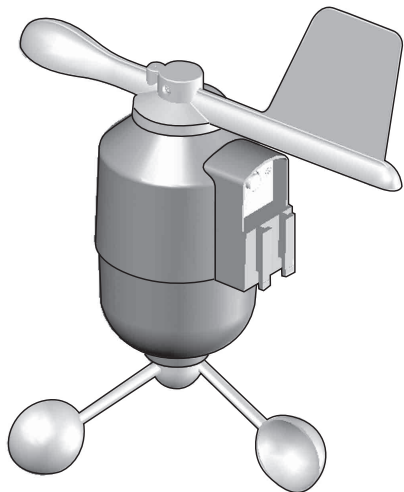


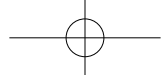


Integrated Wind Sensor

USER MANUAL



WGR800X



EN

Integrated Wind Sensor

Model: WGR800X

USER MANUAL

CONTENTS

Introduction	1
Packaging Contents	1
Overview	2
Getting Started	2
Set Up Remote Integrated Wind Sensor	2
Battery Installation	2
Mounting the Sensor	2
Precautions	3
Specifications	4
About Oregon Scientific	4
EU-declaration of Conformity	4
Information for users	5





INTRODUCTION

Thank you for selecting the Oregon Scientific Integrated Wind Sensor (WGR800X).

The sensor is battery and solar power operated. It is capable of transmitting data to the base station wirelessly within an approximate operating range of 100 meters (328 feet).

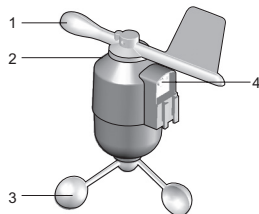
NOTE Please keep this manual handy as you use your new product. It contains practical step-by-step instructions, as well as technical specifications and warnings you should know about.

PACKAGING CONTENTS

	 1 x sensor connector	 2 x AA UM-3 1.5V batteries
	1 x Wind Sensor (1 x Wind Vane Above and 1 x Anemometer Below)	 4 x Screws (Type A)

OVERVIEW

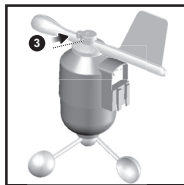
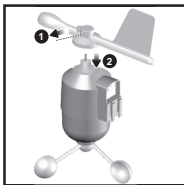
1. Wind vane
2. Wind vane casing
3. Anemometer
4. Solar power socket



GETTING STARTED

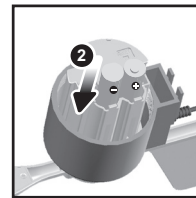
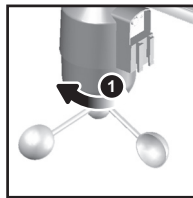
SET UP REMOTE INTEGRATED WIND SENSOR

The Integrated wind sensor takes wind speed and direction readings.



1. Loosen the screw on the wind vane
2. Install the wind vane on the top of the wind vane casing with some pressure.
3. Tighten the screw to secure the setup.

BATTERY INSTALLATION

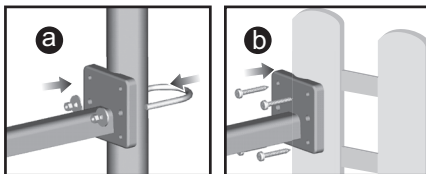
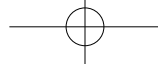


1. Unscrew the anemometer from the Integrated wind sensor carefully.
2. Insert batteries matching the polarities (+ / -) and replace the anemometer. Press **RESET** after each battery change.

NOTE Use alkaline batteries for longer usage and consumer grade lithium batteries in temperatures below freezing.

MOUNTING THE SENSOR

NOTE The sensor should be positioned in an open area away from trees or other obstructions.



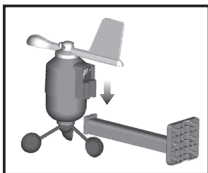
Secure the sensor connector in the desired location:

a. Align the back of the sensor connector to an existing pole. Secure in place by inserting the ends of the U-bolt into the holes on the sensor connector and securing it with washers and bolts.

OR

b. Insert 4 type A screws into the holes of the sensor connector. Screw firmly into place, i.e., fence.

Slide wind vane onto the smaller end of the sensor connector.



IMPORTANT Ensure that the wind sensor is pointing North to enable it to record accurate readings.

PRECAUTIONS

- Do not subject the unit to excessive force, shock, dust, temperature or humidity.
- Do not cover the ventilation holes with any items such as newspapers, curtains etc.
- Do not immerse the unit in water. If you spill liquid over it, dry it immediately with a soft, lint-free cloth.
- Do not clean the unit with abrasive or corrosive materials.
- Do not tamper with the unit's internal components. This invalidates the warranty.
- Only use fresh batteries. Do not mix new and old batteries.
- Do not dispose old batteries as unsorted municipal waste. Collection of such waste separately for special treatment is necessary.
- Images shown in this manual may differ from the actual display.
- When disposing of this product, ensure it is collected separately for special treatment and not as household waste.
- The contents of this manual may not be reproduced without the permission of the manufacturer.

NOTE The technical specifications for this product and the contents of the user manual are subject to change without notice.

NOTE Features and accessories will not be available in all countries. For more information, please contact your local retailer. To download an electronic version of the user manual, please visit <http://global.oregonscientific.com/customerSupport.php>.

SPECIFICATIONS

Dimensions (L x W x H)	178 x 76 x 214 mm (7 x 3 x 8.4 inches)
Weight	100 g (0.22 lbs) without battery
Wind speed unit	m/s, kph, mph, knots
Speed accuracy	2 m/s ~ 10 m/s (+/- 3 m/s) 10 m/s ~ 56 m/s (+/- 10%)
Direction accuracy	16 positions
Transmission of wind speed signal	Approx. every 14 seconds
Memory	Max wind speed
Battery	2 x UM-3 (AA) 1.5V batteries

ABOUT OREGON SCIENTIFIC

Visit our website www.oregonscientific.com to learn more about Oregon Scientific products.

For any inquiry, please contact our Customer Services at info@oregonscientific.com.

Oregon Scientific Global Distribution Limited reserves the right to interpret and construe any contents, terms and provisions in this user manual and to amend it, at its sole discretion, at any time without prior notice. To the extent that there is any inconsistency between the English version and any other language versions, the English version shall prevail.

EU-DECLARATION OF CONFORMITY

Hereby the manufacturer, Oregon Scientific Global Distribution Limited, declares that the radio equipment type Wind Sensor (model: WGR800X) is in compliance with 2014/53/EU Directive. The full text of the EU Declaration of Conformity is available at the following internet address:

<http://global.oregonscientific.com/customerSupport.php>



COUNTRIES RED APPROVED COMPLIED

All EU countries, Switzerland (CH)

and Norway (N)



INFORMATION FOR USERS



Pursuant to and in accordance with Article 14 of the Directive 2012/19/EU of the European Parliament on waste electrical and electronic equipment (WEEE), and pursuant to and in accordance with Article 20 of the Directive 2013/56/EU of the European Parliament on batteries and accumulators and waste batteries.

The barred symbol of the rubbish bin shown on the equipment indicates that, at the end of its useful life, the product must be collected separately from other waste.

Please note that the batteries/rechargeable batteries must be removed from the equipment before it is given as waste. To remove the batteries/accumulators refer to the specifications in the user manual. Therefore, any products that have reached the end of their useful life must be given to waste disposal centers specializing in separate collection of waste electrical and electronic equipment, or given back to the dealer when purchasing a new WEEE, pursuant to and in accordance with Article 14 as implemented in the country.

The adequate separate collection for the subsequent start-up of the equipment sent to be recycled, treated and disposal of in an environmentally compatible way contributes to preventing possible negative effects on the environment and health and optimizes the recycling and reuse of components making up the apparatus. Abusive disposal of the product by the user involves application of the administrative sanctions according to the laws in force.

FCC WARNING

Any Changes expressly or modifications not approved by the party responsible for compliance could void the user's authority to operate the equipment.

This device complies with part 15 of the FCC Rules.

Operation is subject to the following two conditions:

- (1) This device may not cause harmful interference,
- and (2) this device must accept any interference received, including interference that may cause undesired operation.