



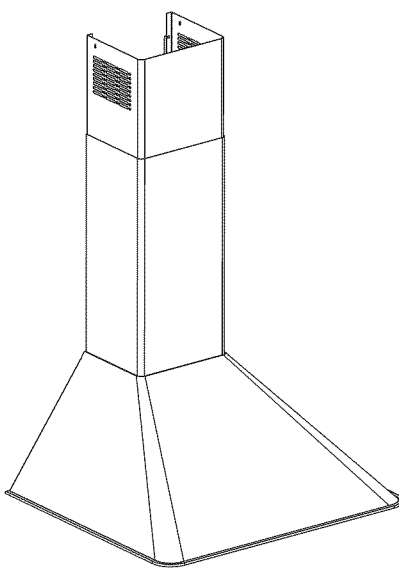
60 CM (23 3/5") WALL-MOUNT CANOPY RANGE HOOD

Installation Instructions and Use & Care Guide

HOTTE DE CUISINIÈRE POUR MONTAGE MURAL 60 CM (23 3/5")

Instructions d'installation et Guide d'utilisation et d'entretien

Table of Contents/Table des matières..... 2



**IMPORTANT: READ AND SAVE THESE INSTRUCTIONS.
FOR RESIDENTIAL USE ONLY.**

**IMPORTANT : LIRE ET CONSERVER CES INSTRUCTIONS.
POUR UTILISATION RÉSIDENIELLE UNIQUEMENT.**

IMPORTANT:

Installer: Leave installation instructions with the homeowner.
Homeowner: Keep installation instructions for future reference.
Save installation instructions for local electrical inspector's use.

IMPORTANT :

Installateur : Remettre les instructions d'installation au propriétaire.
Propriétaire : Conserver les instructions d'installation pour référence ultérieure.
Conserver les instructions d'installation pour consultation par l'inspecteur local des installations électriques.

TABLE OF CONTENTS

RANGE HOOD SAFETY	2
INSTALLATION REQUIREMENTS	4
Tools and Parts	4
Location Requirements	4
Venting Requirements	5
Electrical Requirements	6
INSTALLATION INSTRUCTIONS	7
Prepare Location	7
Install Range Hood	8
Connect Vent System (for vented installations only)	9
Make Electrical Connection	9
Complete Installation	9
Install Filters	10
Check Operation	10
RANGE HOOD USE	10
Operation	10
RANGE HOOD CARE	11
Cleaning and Maintenance	11
WIRING DIAGRAM	12
ASSISTANCE OR SERVICE	13
In the U.S.A.	13
In Canada	13
WARRANTY	13

TABLE DES MATIÈRES

SÉCURITÉ DE LA HOTTE DE CUISINIÈRE	15
EXIGENCES D'INSTALLATION	17
Outillage et pièces	17
Exigences d'emplacement	17
Exigences concernant l'évacuation	18
Spécifications électriques	19
INSTRUCTIONS D'INSTALLATION	20
Préparation de l'emplacement	20
Installation de la hotte	21
Installation du conduit d'évacuation (pour installations avec décharge à l'extérieur uniquement)	22
Raccordement électrique	22
Achever l'installation	23
Installation des filtres	23
Contrôle du fonctionnement	23
UTILISATION DE LA HOTTE	24
Fonctionnement	24
ENTRETIEN DE LA HOTTE	24
Nettoyage et entretien	24
SCHÉMA DE CÂBLAGE	26
ASSISTANCE OU SERVICE	27
GARANTIE	27

RANGE HOOD SAFETY

Your safety and the safety of others are very important.

We have provided many important safety messages in this manual and on your appliance. Always read and obey all safety messages.



This is the safety alert symbol.

This symbol alerts you to potential hazards that can kill or hurt you and others.

All safety messages will follow the safety alert symbol and either the word "DANGER" or "WARNING."

These words mean:

⚠ DANGER

You can be killed or seriously injured if you don't immediately follow instructions.

⚠ WARNING

You can be killed or seriously injured if you don't follow instructions.

All safety messages will tell you what the potential hazard is, tell you how to reduce the chance of injury, and tell you what can happen if the instructions are not followed.

IMPORTANT SAFETY INSTRUCTIONS

WARNING: TO REDUCE THE RISK OF FIRE, ELECTRIC SHOCK, OR INJURY TO PERSONS, OBSERVE THE FOLLOWING:

- Use this unit only in the manner intended by the manufacturer. If you have questions, contact the manufacturer.
- Before servicing or cleaning the unit, switch the power off at the service panel disconnecting means to prevent power from being switched on accidentally. When the service disconnecting means cannot be locked, securely fasten a prominent warning device, such as a tag, to the service panel.
- Installation work and electrical wiring must be done by qualified person(s) in accordance with all applicable codes & standards, including fire-rated construction.
- Sufficient air is needed for proper combustion and exhausting of gases through the flue (chimney) of fuel burning equipment to prevent backdrafting. Follow the heating equipment manufacturer's guideline and safety standards such as those published by the National Fire Protection Association (NFPA), the American Society for Heating, Refrigeration and Air Conditioning Engineers (ASHRAE), and the local code authorities.
- When cutting or drilling into wall or ceiling; do not damage electrical wiring and other utilities.
- Ducted systems must always be vented outdoors.

CAUTION: For general ventilating use only. Do not use to exhaust hazardous or explosive materials and vapors.

CAUTION: To reduce risk of fire and to properly exhaust air, be sure to duct air outside - do not vent exhaust air into spaces within walls ceilings, attics, crawl spaces, or garages.

WARNING: TO REDUCE THE RISK OF FIRE, USE ONLY METAL DUCTWORK.

WARNING: TO REDUCE THE RISK OF A RANGE TOP GREASE FIRE:

- Never leave the surface units unattended at high settings. Boilovers cause smoking and greasy spillovers that may ignite. Heat oils slowly on low or medium settings.
- Always turn hood ON when cooking at high heat or when flambeing food (i.e. Crepes Suzette, Cherries Jubilee, Peppercorn Beef Flambé).
- Clean ventilating fans frequently. Grease should not be allowed to accumulate on fan or filter.
- Use proper pan size. Always use cookware appropriate for the size of the surface element.

WARNING: TO REDUCE THE RISK OF INJURY TO PERSONS IN THE EVENT OF A RANGE TOP GREASE FIRE, OBSERVE THE FOLLOWING:^a

- **SMOTHER FLAMES** with a close fitting lid, cookie sheet, or other metal tray, then turn off the gas burner or electric element. **BE CAREFUL TO PREVENT BURNS.** If the flames do not go out immediately, **EVACUATE AND CALL THE FIRE DEPARTMENT.**
- **NEVER PICK UP A FLAMING PAN** - you may be burned.
- **DO NOT USE WATER**, including wet dishcloths or towels - a violent steam explosion will result.
- Use an extinguisher **ONLY** if:
 - You know you have a class ABC extinguisher, and you already know how to operate it.
 - The fire is small and contained in the area where it started.
 - The fire department is being called.
 - You can fight the fire with your back to an exit.

^aBased on "Kitchen Fire Safety Tips" published by NFPA.

- **WARNING:** To reduce the risk of fire or electrical shock, do not use this fan with any solid-state speed control device.

SAVE THESE INSTRUCTIONS

INSTALLATION REQUIREMENTS

Tools and Parts

Gather the required tools and parts before starting installation. Read and follow the instructions provided with any tools listed here.

Tools needed

- Level
- Drill with 1¼" (3 cm), ⅜" (9.5 mm), 7⁄64" (2.75 mm) and ⅛" (3 mm) drill bits
- Pencil
- Wire stripper or utility knife
- Tape measure or ruler
- Pliers
- Caulking gun and weatherproof caulking compound
- Vent clamps
- Jigsaw or keyhole saw
- Flat-blade screwdriver
- Metal snips
- Phillips screwdriver

Parts needed

- ½" conduit
- Two ½" (12.7 mm) UL listed or CSA approved strain reliefs
- 3 UL listed wire connectors
- 1 wall or roof cap
- Metal vent system
- Charcoal Filter Kit Part Number 4396848 for non-vented (recirculating) installations only. See "Assistance or Service" section to order.

Parts supplied

Remove parts from packages. Check that all parts are included.

- Hood canopy assembly with ventilator and light bulbs installed
- Deflector for non-vented (recirculating) installations
- Plastic transition with back draft dampers installed
- Literature package
- Filter(s) - depending on model and size
- 2 mounting hooks
- Vent cover support bracket
- Mounting template
- 2-piece vent cover
- Rubber tape
- 2 - 2.9 x 6.5 mm screws
- 1 - 3.5 x 6.5 mm screws
- 2 - 3.5 x 9.5 mm screws
- 2 - 6 x 70 mm screws
- 4 - 5 x 35mm mounting screws
- 2 - 10 x 60 mm drywall anchors

Location Requirements

IMPORTANT: Observe all governing codes and ordinances.

Have a qualified technician install the range hood. It is the installer's responsibility to comply with installation clearances specified on the model/serial rating plate. The model/serial rating plate is located behind the left filter on the rear wall of the vent hood.

Canopy hood location should be away from strong draft areas, such as windows, doors and strong heating vents.

Cabinet opening dimensions that are shown must be used. Given dimensions provide minimum clearance.

Grounded electrical outlet is required. See "Electrical Requirements" section.

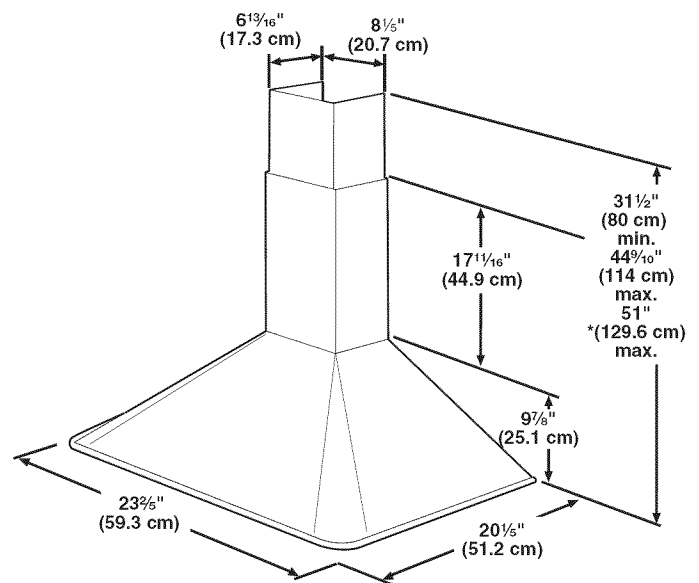
The canopy hood is factory set for venting through the roof or wall. For non-vented (recirculating) installation see "Non-vented (recirculating) Installations" in "Prepare Location" section. Charcoal Filter Kit Part Number 4393848 is available from your dealer or an authorized parts distributor.

All openings in ceiling and wall where canopy hood will be installed must be sealed.

For Mobile Home Installations

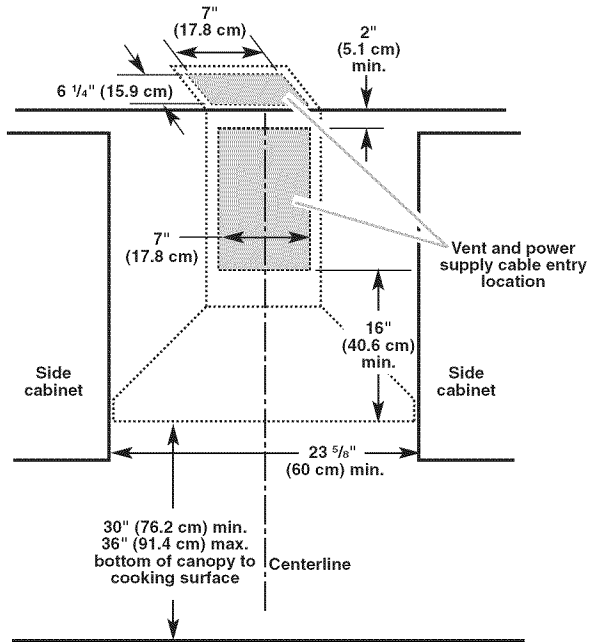
The installation of this range hood must conform to the Manufactured Home Construction Safety Standards, Title 24 CFR, Part 328 (formerly the Federal Standard for Mobile Home Construction and Safety, Title 24, HUD, Part 280) or when such standard is not applicable, the standard for Manufactured Home Installation 1982 (Manufactured Home Sites, Communities and Setups) ANSI A225.1/NFPA 501A*, or latest edition, or with local codes.

Product Dimensions



*For non-vented (recirculating) installations

Installation Dimensions



Venting Requirements

- Vent system must terminate to the outside, except for non-vented (recirculating) installations.
- Do not terminate the vent system in an attic or other enclosed area.
- Do not use 4" (10.2 cm) laundry-type wall caps.
- Use metal vent only. Rigid metal vent is recommended. Do not use plastic or metal foil vent.
- The vent system must have a damper. If the roof or wall cap has a damper, do not use the damper supplied with the range hood.

For the most efficient and quiet operation:

- Use a straight run or as few elbows as possible.
- Use no more than three 90° elbows.
- Make sure there is a minimum of 24" (61 cm) of straight vent between the elbows if more than 1 elbow is used.
- Do not install 2 elbows together.
- Use clamps to seal all joints in the vent system.
- Use caulking to seal exterior wall or roof opening around the cap.
- The size of the vent should be uniform.

Cold weather installations

An additional back draft damper should be installed to minimize backward cold air flow and a nonmetallic thermal break should be installed to minimize conduction of outside temperatures as part of the vent system. The damper should be on the cold air side of the thermal break.

The break should be as close as possible to where the vent system enters the heated portion of the house.

Makeup air

Local building codes may require the use of make up air systems when using ventilation systems greater than specified CFM of air movement. The specified CFM varies from locale to locale. Consult your HVAC professional for specific requirements in your area.

Venting Methods

This canopy hood is factory set for venting through the roof or wall.

A 6" (15.2 cm) round vent system is needed for installation (not included). The hood exhaust opening is 6" (15.2 cm) round.

NOTE: Flexible vent is not recommended. Flexible vent creates back pressure and air turbulence that greatly reduce performance.

Vent system can terminate either through the roof or wall. To vent through a wall, a 90° elbow is needed.

Rear discharge

A 90° elbow may be installed immediately above the hood.

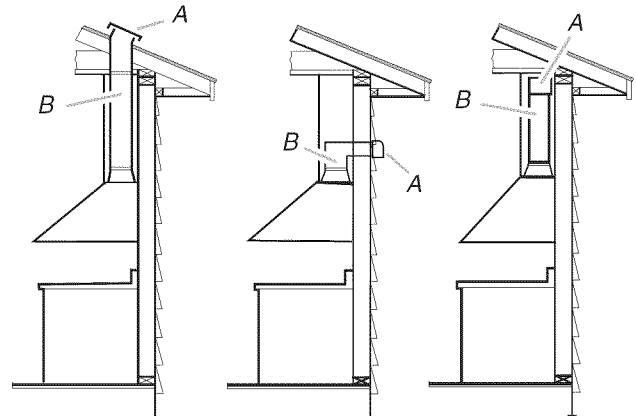
For non-vented (recirculating) installations

If it is not possible to vent cooking fumes and vapors to the outside, the hood can be used in the non-vented (recirculating) version, fitting an activated carbon filter and the deflector. Fumes and vapors are recycled through the top grille.

Roof Venting

Wall Venting

Non-vented (recirculating)





A. Roof cap
B. 6" (15.2 cm)
round vent

A. Wall cap
B. 6" (15.2 cm)
round vent

A. Deflector
B. 6" (15.2 cm)
round vent

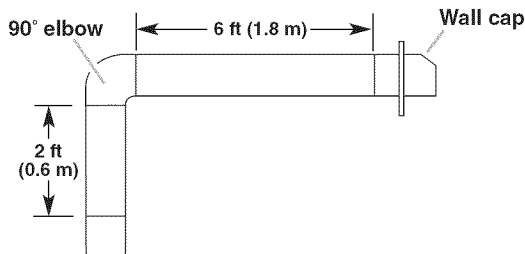
Calculating Vent System Length

To calculate the length of the system you need, add the equivalent feet (meters) for each vent piece used in the system.

Vent Piece	6" (15.2 cm) Round	
45° elbow	2.5 ft (0.8 m)	
90° elbow	5.0 ft (1.5 m)	

Maximum equivalent vent length is 35 ft (10.7 m).

Example vent system



The following example falls within the maximum vent length of 35 ft (10.7 m).

1 - 90° elbow	= 5.0 ft (1.5 m)
1 - wall cap	= 0.0 ft (0.0 m)
8 ft (2.4 m) straight	= 8.0 ft (2.4 m)
Length of system	= 13.0 ft (3.9 m)

Electrical Requirements

IMPORTANT: Observe all governing codes and ordinances. Save Installation Instructions for electrical inspector's use.

It is the customer's responsibility to contact a qualified electrical installer, and to ensure that the electrical installation is adequate and in conformance with National Electrical Code, ANSI/NFPA 70 (latest edition), or CSA Standards C22.1-94, Canadian Electrical Code, Part 1 and C22.2 No. 0-M91 (latest edition) and all local codes and ordinances.

If codes permit and a separate ground wire is used, it is recommended that a qualified electrician determine that the ground path is adequate.

A copy of the above code standards can be obtained from:

National Fire Protection Association
One Batterymarch Park
Quincy, MA 02269

CSA International
8501 East Pleasant Valley Road
Cleveland, OH 44131-5575

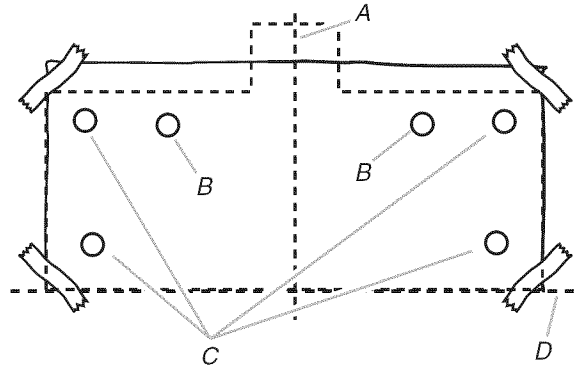
- A 120 Volt, 60 Hz., AC only 15-amp fused, electrical circuit is required.
- Do not ground to a gas pipe.
- Check with a qualified electrician if you are not sure range hood is properly grounded.
- Do not have a fuse in the neutral or ground circuit.
- The range hood must be connected with copper wire only.
- The range hood should be connected directly to the fused disconnect (or circuit breaker) box through flexible armored or nonmetallic sheathed copper cable. It is recommended that a separate circuit serving only this hood be provided.
- Wire sizes (copper wire only) and connections must conform with the rating of the appliance as specified on the model/serial rating plate. The model/serial plate is located behind the filter on the rear wall of the hood.
- Wire sizes must conform to the requirements of the National Electrical Code, ANSI/NFPA 70 (latest edition), or CSA Standards C22.1-94, Canadian Electrical Code, Part 1 and C22.2 No. 0-M91 (latest edition) and all local codes and ordinances.
- A ½" (12.7 mm) UL listed or CSA approved strain relief must be provided at each end of the power supply cable (at the range hood and at the junction box).

INSTALLATION INSTRUCTIONS

Prepare Location

- It is recommended that the vent system be installed before hood is installed.
- Do not cut a joist or stud unless absolutely necessary. If a joist or stud must be cut, then a supporting frame must be constructed.
- Before making cutouts, make sure there is proper clearance within the ceiling or wall for exhaust vent.
- Check your ceiling height and the hood height maximum before you select your hood.

7. Tape template in place, aligning the template centerline and bottom of template with hood bottom line and with the centerline marked on the wall.



A. Centerline
B. Mounting hook location
C. Fastener locations
D. Mounting height reference

⚠ WARNING

Excessive Weight Hazard

Use two or more people to move and install range.

Failure to do so can result in back or other injury.

1. If possible, disconnect and move freestanding or slide-in range from cabinet opening to provide easier access to rear wall. Otherwise, put a thick, protective covering over countertop, cooktop or range to protect from damage or dirt.
2. Determine which venting method to use: roof, wall, or non-vented.
3. Select a flat surface for assembling the range hood. Cover that surface with a protective covering.

8. Mark centers of the 6 fastener locations through the template to the wall.

IMPORTANT: All screws must be installed into wood.

Remove the template.

9. Drill $\frac{7}{64}$ " (2.75 mm) pilot holes at all locations where screws are being installed into wood.
 10. Determine and make all necessary cuts in the wall for the vent system. Install the vent system before installing the hood. See "Venting Requirements" section.
 11. Determine the required height for the $\frac{1}{2}$ " conduit and drill a $1\frac{1}{4}$ " (3.2 cm) hole at this location.
 12. Run wire through the $\frac{1}{2}$ " conduit according to the National Electrical Code or CSA Standards and local codes and ordinances. There must be enough $\frac{1}{2}$ " conduit and wires from the fused disconnect (or circuit breaker) box to make the connection in the hood's electrical terminal box.
- NOTE:** Do not reconnect power until installation is complete.
13. Use caulk to seal all openings.
 14. Attach two mounting hooks to the wall at location marked on the template.

⚠ WARNING

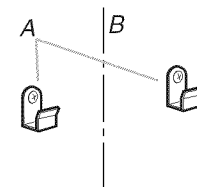
Excessive Weight Hazard

Use two or more people to move and install range hood.

Failure to do so can result in back or other injury.

4. Using 2 or more people, lift range hood onto protective covering.
5. Determine and mark the centerline on the wall where the canopy hood will be installed.
6. Select a mounting height between a minimum of 30" (76.2 cm) and a suggested maximum of 36" (91.4 cm), above the range to the bottom of the hood and mark reference line on the wall.

NOTE: For installation locations with reduced ceilings heights, the vent hood may be installed using the upper vent cover for both vented and non-vented (recirculating) installations.

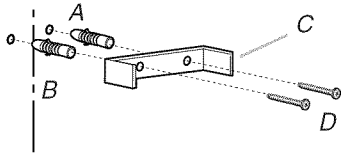


A. Mounting hooks
B. Centerline on wall

Vent Cover Bracket Installation

Installations using telescoping upper and lower vent cover assembly

1. Position vent cover bracket on wall about $\frac{1}{8}$ " (3 mm) away from the ceiling.
2. Mark the hole locations.
3. Drill $\frac{3}{8}$ " (9.5 mm) holes for wall anchors and insert anchors flush with the wall.



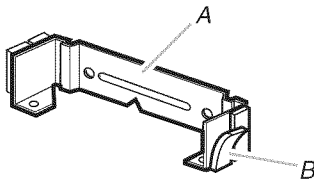
A. 10 x 60 mm drywall anchors
B. Centerline on wall
C. Vent cover support bracket
D. 6 x 70 mm screws

4. Attach vent cover support bracket to wall.

Installation locations with reduced ceiling heights

For vented and non-vented (recirculating) installations, the vent hood is installed using the upper vent cover (26" [66.0 cm]) plus a $\frac{1}{4}$ " (6.4 mm) thick wood filler.

1. For the vent cover to slide down and engage the top of the hood, the vent cover bracket must be installed $\frac{1}{4}$ " (6.4 mm) below the ceiling.
2. The remaining space above the vent cover can be filled with a $\frac{1}{4}$ " (6.4 mm) thick piece of plywood cut to the inside cross section of the chimney cover and finished to match the ceiling.
3. Cut the self adhesive rubber tape supplied with the hood in 4 identical pieces. Attach 2 pieces of tape to each side of the support bracket.



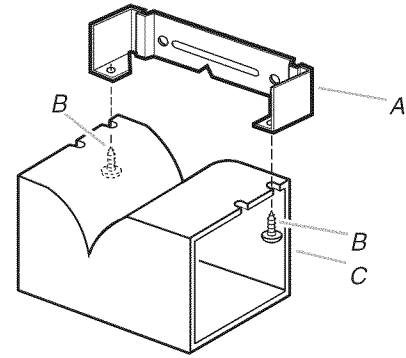
A. Vent cover bracket
B. Rubber tape

Vented Installations

Install transition on top of hood (if removed for shipping) with 2 sheet metal screws.

Non-Vented (recirculating) Installations

1. Install transition on top of hood (if removed for shipping) with 2 sheet metal screws.
2. Attach the vent cover ceiling bracket to the deflector with the two 3.5 x 9.5 mm screws provided.



A. Vent cover bracket
B. 3.5 x 9.5 mm screws
C. Deflector

3. Connect the deflector to the transition with 6" (15.2 cm) round vent.

Install Range Hood

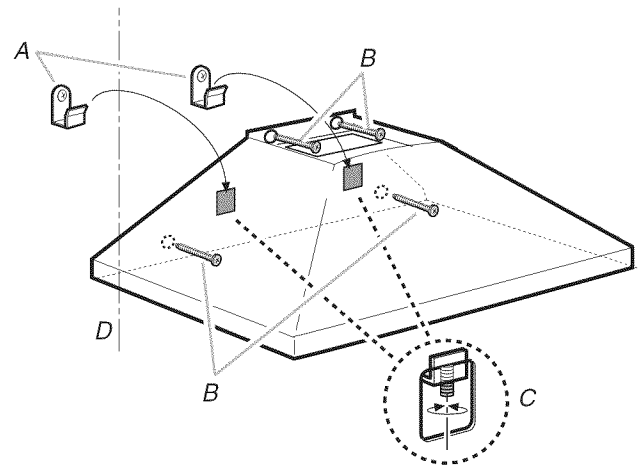
⚠ WARNING

Excessive Weight Hazard

Use two or more people to move and install range hood.

Failure to do so can result in back or other injury.

1. Using 2 or more people, hang range hood on 2 mounting hooks through the rectangular cutouts on back of hood.

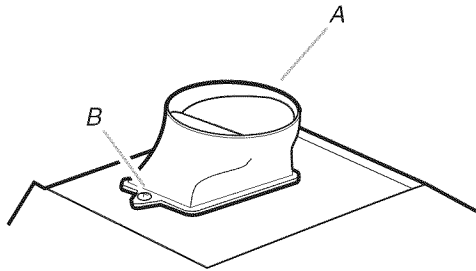


A. Mounting hooks
B. 5 x 35mm mounting screws
C. Leveling screws
D. Centerline on wall

2. Level the hood with leveling screws in mounting hooks or rectangular cutouts, using a level across bottom of hood.
3. Secure hood with 4 screws through remaining 4 holes in hood.

Connect Vent System (for vented installations only)

1. Fit vent system over transition piece.



A. Transition
B. 3.5 x 6.5 mm screw

2. Seal connection with clamps.

Make Electrical Connection

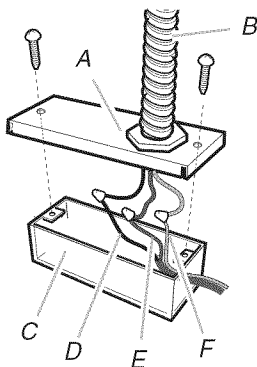
⚠ WARNING



Electrical Shock Hazard

Disconnect power before servicing.
Replace all parts and panels before operating.
Failure to do so can result in death or electrical shock.

1. Disconnect power.
2. Remove terminal box cover.
3. Remove the knockout in the terminal box cover and install a UL-listed or CSA approved 1/2" strain relief.
4. Run 3 wires, black, white and green (14AWG), in 1/2" conduit from service panel to terminal box.



A. UL listed or CSA approved strain relief
B. 1/2" conduit
C. Terminal box
D. Black wires
E. Green (or bare) wire connected to yellow-green wire
F. White wires

5. Use UL listed wire connectors and connect black wires together.
6. Use UL listed wire connectors and connect white wires together.

⚠ WARNING



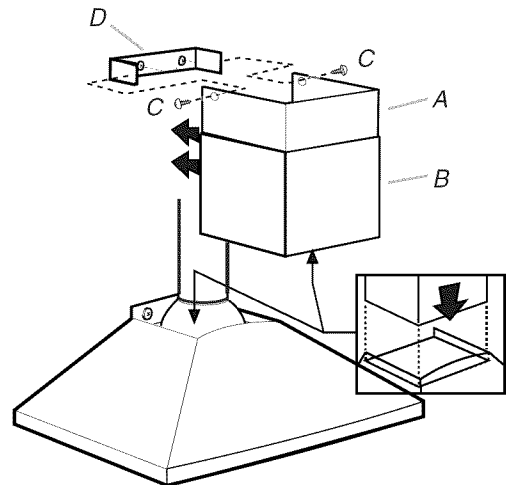
Electrical Shock Hazard

Electrically ground blower.
Connect ground wire to green and yellow ground wire in terminal box.
Failure to do so can result in death or electrical shock.

7. Connect ground wire to green and yellow ground wire in terminal box using UL listed wire connectors.
8. Replace terminal box cover.
9. Check all light bulbs to make sure they are secure in their sockets.
10. Reconnect power.

Complete Installation

1. Install vent cover.
 - When using both upper and lower vent covers, push lower cover down onto hood and lift upper cover to ceiling and install with two 2.9 x 6.5 mm screws.
- NOTE:** Upper vent cover may be reversed to hide slots.

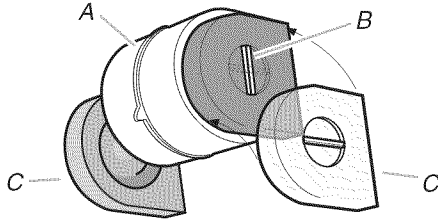


A. Upper vent cover
B. Lower vent cover
C. 2.9 x 6.5 mm screws
D. Bracket

- For reduced ceiling height installations, using the upper or lower vent cover, push cover down onto hood and snap vent into place around vent cover bracket.

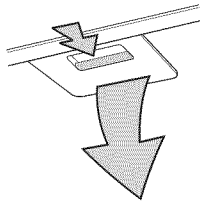
Install Filters

1. For non-vented (recirculating installations, install charcoal filter over grille on blower housing and turn filter handle clockwise. Repeat with other charcoal filter.

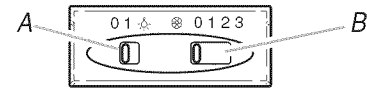


A. Blower housing
B. Filter handle
C. Charcoal filters

2. For all installations, insert back edge or metal filter into rear channel of the filter opening.
3. Push handle toward the rear and push filter up.
4. Pull filter toward the front and insert into front channel.



Check Operation



A. Light switch
B. Blower switch

1. Move the light switch to “1” position. The light should turn on.
2. Move blower switch to “1” position. The blower should operate.
3. Move the blower speed switch to “1” position for low speed, “2” position for medium speed or “3” position for high speed.
4. Move blower and light switches to “0” position to turn off blower and light.
5. If range hood does not operate, check to see whether a circuit breaker has tripped or a household fuse has blown.
6. Disconnect power supply.
7. Check that the wiring is correct.
8. Replace all parts and panels before operating.
9. Reconnect power.

NOTE: To get the most efficient use from your new range hood, read the “Range Hood Use” section.

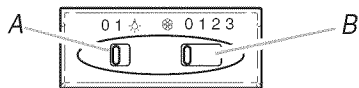
RANGE HOOD USE

Operation

The canopy hood is designed to remove smoke, cooking vapors and odors from the cooktop area. For best results, start the hood before cooking and allow it to operate several minutes after the cooking is complete to clear all smoke and odors from the kitchen.

Hood control panel

The hood controls are located on the front side of the canopy.



A. Light switch
B. Blower switch

Operating the light

1. Move the light switch to the “1” position to turn on the light.
2. Move the light switch to the “0” position to turn off the light.

Operating the blower and adjusting blower speed

1. Move the blower switch to the “1” position for low speed, the “2” position for medium speed or the “3” position for high speed.
2. Move the blower switch to the “0” position to turn off the blower.

RANGE HOOD CARE

Cleaning and Maintenance

IMPORTANT: Clean the hood and grease filters frequently according to the following instructions. Replace grease filters before operating hood.

Be sure lights are cool before cleaning the hood.

Exterior surfaces

Clean the range hood with a mild detergent and soft cloth. Do not use abrasive cleanser or steel-wool pads.

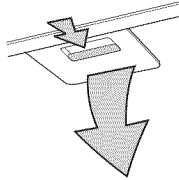
Metal grease filters

The filters should be washed frequently. Place metal filters in dishwasher or hot detergent solution to clean.

Drain water through edge holes and let each filter dry thoroughly before replacing it.

To Remove Metal Filters

1. Turn off blower and lights. Check that halogen lamp is cool.
2. Push handle toward the rear and pull downward.
3. Pull filter toward the front.



To Replace Metal Grease Filter

1. Insert back edge of filter into rear channel of the filter opening.
2. Push handle toward the rear and push filter up.
3. Pull filter toward the front and insert into front channel.

Charcoal Filters - for non-vented (recirculating) installations

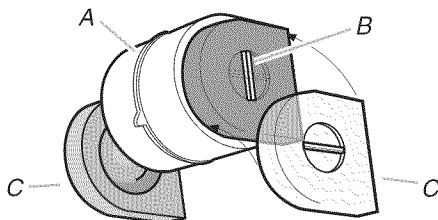
The charcoal filters are not washable nor reusable.

They should be changed every 6 months in normal use.

The charcoal filters capture unpleasant cooking odors.

To Install Charcoal Filters

1. Turn blower and lights off. Check that halogen lamp is cool.
2. Remove the metal grease filters by pushing handle toward the rear and pull downward.
3. Pull filter toward front and set aside.
4. Repeat to remove other metal filter.
5. Install charcoal filter over grille on blower housing and turn filter handle clockwise.



A. Blower housing
B. Filter handle
C. Charcoal filters

6. Repeat to install other charcoal filter.

To Replace Metal Grease Filters

1. Insert back edge of filter into rear channel of the filter opening.
2. Push handle toward the rear and push filter up.
3. Pull filter toward the front and insert into front channel.

To Replace Charcoal Filters

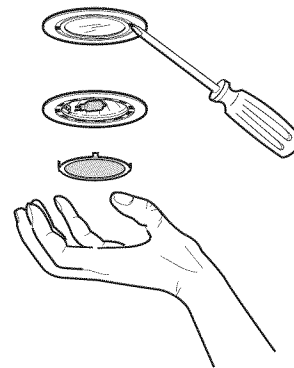
1. Turn blower and lights off. Check that halogen lamp is cool.
2. Remove the metal grease filters by pushing handle toward the rear and pull downward.
3. Pull filter toward front and set aside.
4. Repeat to remove other filter.
5. Turn charcoal filter handle counterclockwise.
6. Remove and discard charcoal filter.
7. Repeat to remove other charcoal filter.
8. Install replacement charcoal filter over grille in blower housing and turn filter handle clockwise.
9. Repeat to install other charcoal filter.

Replacing a Halogen Lamp

Turn off the range hood and allow the halogen lamp to cool. Replace using a tissue.

If new lights do not operate, make sure the lamps are inserted correctly before calling service.

1. Disconnect power.
2. Use a flat-blade screwdriver and gently pry the light cover loose.



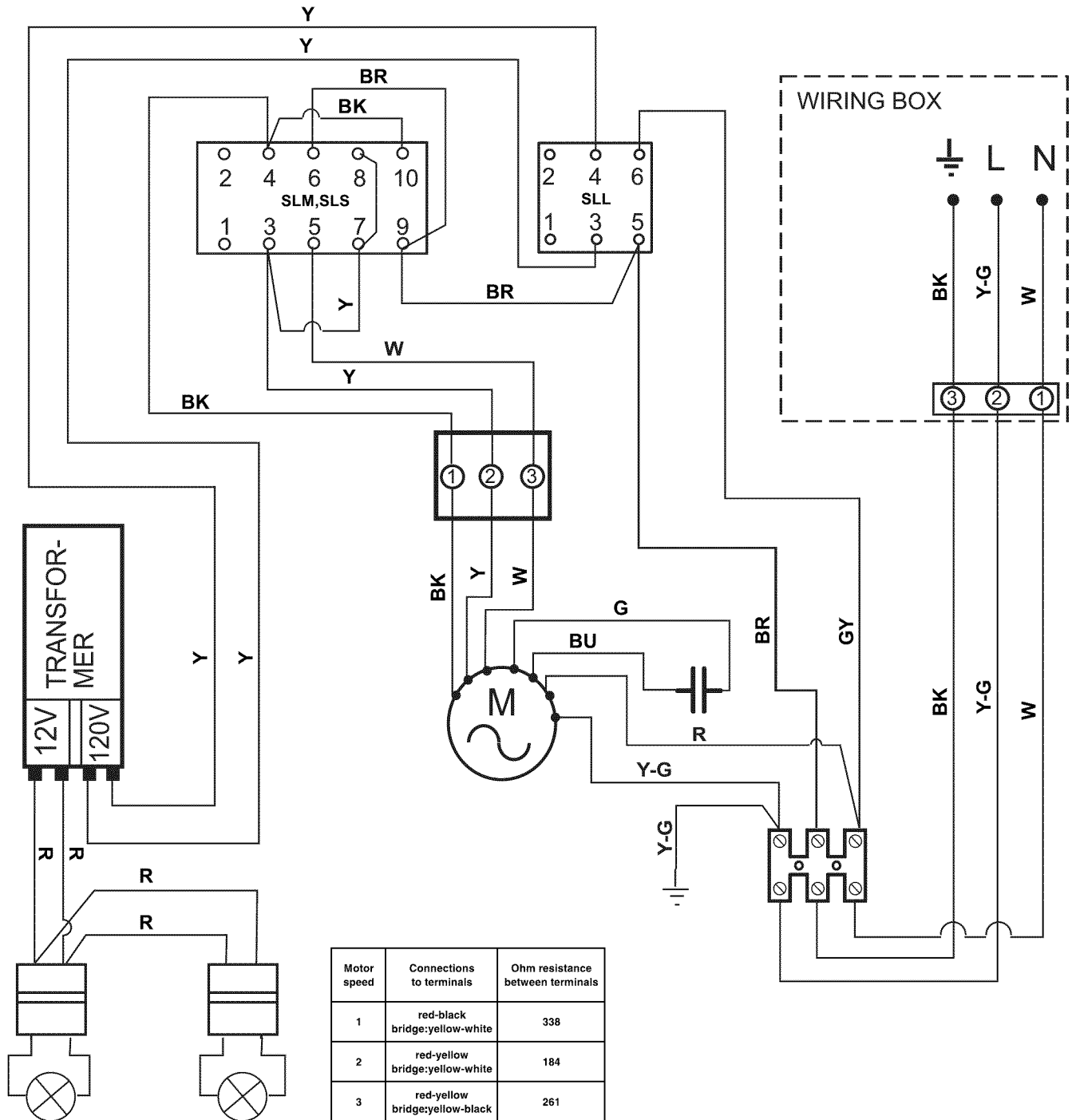
3. Remove the lamp and replace with a 12-volt, 20-watt maximum, halogen lamp made for a G-4 base.
4. Replace the light cover.

WIRING DIAGRAM

SLM,SLS			
OFF	1	2	3
2-4	4-6	6-8	8-10
1-3	3-5	5-7	7-9

SLL	
0	1
2-4	4-6
1-3	3-5

SE1L7A



Motor speed	Connections to terminals	Ohm resistance between terminals
1	red-black bridge:yellow-white	338
2	red-yellow bridge:yellow-white	184
3	red-yellow bridge:yellow-black	261

ASSISTANCE OR SERVICE

When calling for assistance or service, please know the purchase date and the complete model and serial number of your appliance. This information will help us to better respond to your request.

If you need replacement parts

If you need to order replacement parts, we recommend that you use only factory specified parts. Factory specified parts will fit right and work right because they are made with the same precision used to build every new IKEA® appliance.

To locate factory specified parts in your area, call us or your nearest designated service center.

In the U.S.A.

Call the Whirlpool Customer eXperience Center toll-free: **1-866-664-2449**.

Our consultants provide assistance with:

- Features and specifications on our full line of appliances.
- Installation information.
- Use and maintenance procedures.
- Accessory and repair parts sales.
- Specialized customer assistance (Spanish speaking, hearing impaired, limited vision, etc.).
- Referrals to local dealers, repair parts distributors and service companies. Whirlpool designated service technicians are trained to fulfill the product warranty and provide after-warranty service, anywhere in the United States.

To locate the Whirlpool designated service company in your area, you can also look in your telephone directory Yellow Pages.

For further assistance

If you need further assistance, you can write to Whirlpool Corporation with any questions or concerns at:

IKEA Brand Home Appliances
Customer eXperience Center
553 Benson Road
Benton Harbor, MI 49022-2692

Please include a daytime phone number in your correspondence.

Accessories List

Charcoal Filter Kit

Part Number 4396848

In Canada

Call the Whirlpool Canada LP Customer Interaction Centre toll-free: **1-866-664-2449**.

Our consultants provide assistance with:

- Features and specifications on our full line of appliances.
- Use and maintenance procedures.
- Accessory and repair parts sales.
- Referrals to local dealers, repair parts distributors, and service companies. Whirlpool Canada LP designated service technicians are trained to fulfill the product warranty and provide after-warranty service, anywhere in Canada.

For further assistance

If you need further assistance, you can write to Whirlpool Canada LP with any questions or concerns at:

Customer Interaction Centre
Whirlpool Canada LP
1901 Minnesota Court
Mississauga, Ontario L5N 3A7

Please include a daytime phone number in your correspondence.

Accessories List

Charcoal Filter Kit

Part Number 4396848

IKEA MAJOR APPLIANCE WARRANTY

How long is the IKEA limited warranty valid?

This limited warranty is valid for five years from the date of purchase, when this major appliance is operated and maintained according to instructions attached to or furnished with the product, unless the appliance is named LAGAN in which case this limited warranty is valid for one year from the date of purchase. This limited warranty is valid only in the United States or Canada and applies only when the major appliance is used in the country in which it was purchased. Proof of original purchase date is required to obtain service under this limited warranty.

Which appliances are not covered by the IKEA five (5) year limited warranty?

For major appliances named "LAGAN", this limited warranty is valid for one year from the date of purchase.

Who will execute the service?

This limited warranty is provided by Whirlpool Corporation or Whirlpool Canada LP (hereafter "Whirlpool"). Service must be provided by a Whirlpool designated service company.

What does this limited warranty cover?

The limited warranty will pay for factory specified parts and repair labor to correct defects in materials or workmanship that existed when the major appliance was purchased. The exceptions are specified under the headline "What is not covered under this limited warranty?".

What will be done to correct the problem?

The designated service company will examine the product and decide, at its sole discretion, if it is covered under this limited warranty. If considered covered, the designated service company will then repair the defect. Your sole and exclusive remedy under this limited warranty shall be product repair as provided herein.

What is not covered under this limited warranty?

- Service calls to correct the installation of your major appliance, to instruct you on how to use your major appliance, to replace or repair house fuses, or to correct house wiring or plumbing.
- Service calls to repair or replace appliance light bulbs, air filters or water filters. Consumable parts are excluded from warranty coverage.
- Replacement parts or repair labor if this major appliance is used for other than normal, single-family household use or when it is used in a manner that is inconsistent to published user or operator instructions and/or installation instructions.
- Damage resulting from accident, alteration, misuse, abuse, fire, flood, acts of God, improper installation, installation not in accordance with electrical or plumbing codes, or use of consumables or cleaning products not approved for use.
- Cosmetic damage, including scratches, dents, chips or other damage to the finish of your major appliance, unless such damage results from defects in materials or workmanship and is reported within 30 days from the date of purchase.
- Any food loss or medicine loss due to refrigerator or freezer product failures.
- Pick up and delivery. This major appliance is intended to be repaired in your home.
- Repairs to parts or systems resulting from unauthorized modifications made to the appliance.
- Expenses for travel and transportation for product service if your major appliance is located in a remote area where service by an authorized servicer is not available.
- The removal and reinstallation of your major appliance if it is installed in an inaccessible location or is not installed in accordance with published installation instructions.
- Replacement parts or repair labor on major appliances with original model/serial numbers that have been removed, altered or cannot be easily determined.

The cost of repair or replacement under these excluded circumstances shall be borne by the customer.

Disclaimer of Implied Warranties

IMPLIED WARRANTIES, INCLUDING ANY IMPLIED WARRANTY OF MERCHANTABILITY OR IMPLIED WARRANTY OF FITNESS FOR A PARTICULAR PURPOSE, ARE LIMITED TO FIVE YEARS (ONE YEAR FOR MAJOR APPLIANCES NAMED "LAGAN") OR THE SHORTEST PERIOD ALLOWED BY LAW. Some states and provinces do not allow limitations on the duration of implied warranties of merchantability or fitness, so this limitation may not apply to you. This warranty gives you specific legal rights, and you also may have other rights that vary from state to state or province to province.

Limitation of Remedies; Exclusion of Incidental and Consequential Damages

YOUR SOLE AND EXCLUSIVE REMEDY UNDER THIS LIMITED WARRANTY SHALL BE PRODUCT REPAIR AS PROVIDED HEREIN. WHIRLPOOL SHALL NOT BE LIABLE FOR INCIDENTAL OR CONSEQUENTIAL DAMAGES. Some states and provinces do not allow the exclusion or limitation of incidental or consequential damages, so these limitations and exclusions may not apply to you. This warranty gives you specific legal rights, and you also may have other rights that vary from state to state or province to province.

How to reach us if you need our service

If outside the 50 United States and Canada, contact your authorized IKEA retailer to determine if another warranty applies.

If you need service, please read the Installation Instructions and/or the "Troubleshooting" section of the Use & Care Guide before contacting us. If you need additional help, do not hesitate to contact us in the U.S.A. and Canada at **1-866-664-2449**.

2/09

Keep this book and your sales slip together for future reference. You must provide proof of purchase or installation date for in-warranty service.

Write down the following information about your major appliance to better help you obtain assistance or service if you ever need it. You will need to know your complete model number and serial number. You can find this information on the model and serial number label located on the product.

Dealer name _____

Address _____

Phone number _____

Model number _____

Serial number _____

Purchase date _____

SÉCURITÉ DE LA HOTTE DE CUISINIÈRE

Votre sécurité et celle des autres est très importante.

Nous donnons de nombreux messages de sécurité importants dans ce manuel et sur votre appareil ménager. Assurez-vous de toujours lire tous les messages de sécurité et de vous y conformer.



Voici le symbole d'alerte de sécurité.

Ce symbole d'alerte de sécurité vous signale les dangers potentiels de décès et de blessures graves à vous et à d'autres.

Tous les messages de sécurité suivront le symbole d'alerte de sécurité et le mot "DANGER" ou "AVERTISSEMENT". Ces mots signifient :

⚠ DANGER

Risque possible de décès ou de blessure grave si vous ne suivez pas immédiatement les instructions.

⚠ AVERTISSEMENT

Risque possible de décès ou de blessure grave si vous ne suivez pas les instructions.

Tous les messages de sécurité vous diront quel est le danger potentiel et vous disent comment réduire le risque de blessure et ce qui peut se produire en cas de non-respect des instructions.

IMPORTANTES INSTRUCTIONS DE SÉCURITÉ

AVERTISSEMENT : POUR RÉDUIRE LE RISQUE D'INCENDIE, CHOC ÉLECTRIQUE OU DOMMAGES CORPORELS, RESPECTER LES INSTRUCTIONS SUIVANTES :

- Utiliser cet appareil uniquement dans les applications envisagées par le fabricant. Pour toute question, contacter le fabricant.
- Avant d'entreprendre un travail d'entretien ou de nettoyage, interrompre l'alimentation de la hotte au niveau du tableau de disjoncteurs, et verrouiller le tableau de disjoncteurs pour empêcher tout rétablissement accidentel de l'alimentation du circuit. Lorsqu'il n'est pas possible de verrouiller le tableau de disjoncteurs, placer sur le tableau de disjoncteurs une étiquette d'avertissement proéminente interdisant le rétablissement de l'alimentation.
- Tout travail d'installation ou câblage électrique doit être réalisé par une personne qualifiée, dans le respect des prescriptions de tous les codes et normes applicables, y compris les codes du bâtiment et de protection contre les incendies.
- Une source d'air de débit suffisant est nécessaire pour le fonctionnement correct de tout appareil à gaz (combustion et évacuation des gaz à combustion par la cheminée), pour qu'il n'y ait pas de reflux des gaz de combustion. Respecter les directives du fabricant de l'équipement de chauffage et les prescriptions des normes de sécurité - comme celles publiées par la National Fire Protection Association (NFPA) et l'American Society for Heating, Refrigeration and Air Conditioning Engineers (ASHRAE), et les prescriptions des autorités réglementaires locales.
- Lors d'opérations de découpage et de perçage dans un mur ou un plafond, veiller à ne pas endommager les câblages électriques ou canalisations qui peuvent s'y trouver.
- Les systèmes d'évacuation doivent toujours décharger l'air à l'extérieur.

MISE EN GARDE : Cet appareil est conçu uniquement pour la ventilation générale. Ne pas l'utiliser pour l'extraction de matières ou vapeurs dangereuses ou explosives.

MISE EN GARDE : Pour minimiser le risque d'incendie et évacuer adéquatement les gaz, veiller à acheminer l'air aspiré par un conduit jusqu'à l'extérieur - ne pas décharger l'air aspiré dans un espace vide du bâtiment comme une cavité murale, un plafond, un grenier, un vide sanitaire ou un garage.

AVERTISSEMENT : POUR RÉDUIRE LE RISQUE D'INCENDIE, UTILISER UNIQUEMENT DES CONDUITS MÉTALLIQUES.

AVERTISSEMENT : POUR MINIMISER LE RISQUE D'UN FEU DE GRAISSE SUR LA CUISINIÈRE :

- Ne jamais laisser un élément de surface fonctionner à puissance de chauffage maximale sans surveillance. Un renversement/débordement de matière grasseuse pourrait provoquer une inflammation et la génération de fumée. Utiliser une puissance de chauffage moyenne ou basse pour le chauffage d'huile.
- Veiller à toujours faire fonctionner le ventilateur de la hotte lors de la cuisson avec une puissance de chauffage élevée ou lors de la cuisson d'un mets à flamber (à savoir crêpes Suzette, cerise jubilee, steak au poivre flambé).
- Nettoyer fréquemment les ventilateurs d'extraction. Veiller à ne pas laisser la graisse s'accumuler sur les surfaces du ventilateur ou des filtres.
- Utiliser toujours un ustensile de taille appropriée. Utiliser toujours un ustensile adapté à la taille de l'élément chauffant.

AVERTISSEMENT : POUR RÉDUIRE LE RISQUE DE DOMMAGES CORPORELS APRÈS LE DÉCLENCHEMENT D'UN FEU DE GRAISSE SUR LA CUISINIÈRE, APPLIQUER LES RECOMMANDATIONS SUIVANTES :^a

- Placer sur le récipient un couvercle bien ajusté, une tôle à biscuits ou un plateau métallique **POUR ÉTOUFFER LES FLAMMES**, puis éteindre le brûleur à gaz ou électrique. **VEILLER À ÉVITER LES BRÛLURES.** Si les flammes ne s'éteignent pas immédiatement, **ÉVACUER LA PIÈCE ET APPELER LES POMPIERS.**
- **NE JAMAIS PRENDRE EN MAIN UN RÉCIPIENT ENFLAMMÉ** - vous risquez de vous brûler.
- **NE PAS UTILISER D'EAU**, ni un torchon humide - ceci pourrait provoquer une explosion de vapeur brûlante.
- Utiliser un extincteur **SEULEMENT** si :
 - Il s'agit d'un extincteur de classe ABC, dont on connaît le fonctionnement.
 - Il s'agit d'un petit feu encore limité à l'endroit où il s'est déclaré.
 - Les pompiers ont été contactés.
 - Il est possible de garder le dos orienté vers une sortie pendant l'opération de lutte contre le feu.

^aRecommandations tirées des conseils de sécurité en cas d'incendie de cuisine publiés par la NFPA.

- **AVERTISSEMENT :** Pour réduire le risque d'incendie ou de choc électrique, ne pas utiliser ce ventilateur avec un quelconque dispositif de réglage de la vitesse à semi-conducteurs.

CONSERVEZ CES INSTRUCTIONS

EXIGENCES D'INSTALLATION

Outillage et pièces

Rassembler les outils et pièces nécessaires avant de commencer l'installation. Lire et suivre les instructions fournies avec les outils indiqués ici.

Outillage nécessaire

- Niveau
- Perceuse avec forets de 1¼" (3 cm), ⅜" (9,5 mm), ⅞" (2,75 mm) et ⅛" (3 mm)
- Crayon
- Pince à dénuder ou couteau utilitaire
- Mètre-ruban ou règle
- Pince
- Pistolet à calfeutrage et composé de calfeutrage résistant aux intempéries
- Brides pour conduit d'évacuation
- Scie sauteuse ou scie à guichet
- Tournevis à lame plate
- Cisaille de ferblantier
- Tournevis Phillips

Pièces nécessaires

- Conduit de ½"
- Deux serre-câble de ½" (12,7 mm) - homologation UL ou CSA
- 3 connecteurs de fils homologués UL
- 1 bouche de décharge (décharge à travers le mur ou à travers le toit)
- Conduit d'évacuation métallique
- Ensemble de filtre à charbon (pièce n° 4396848) - seulement pour une installation sans décharge à l'extérieur (recyclage). Voir la section "Assistance ou service" pour placer une commande.

Pièces fournies

Retirer les pièces des emballages. Vérifier que toutes les pièces sont présentes.

- Hotte avec ventilateur et lampes installés
- Déflecteur pour installation sans décharge à l'extérieur (recyclage)
- Raccord de transition en plastique avec clapet anti-reflux installé
- Sachet de documents
- Filtre(s) - selon le modèle et la dimension

- 2 crochets de montage
- Bride de support du cache-conduit
- Gabarit de montage
- Cache-conduit - 2 pièces
- Ruban de caoutchouc
- 2 vis de 2,9 x 6,5 mm
- 1 vis de 3,5 x 6,5 mm
- 2 vis de 3,5 x 9,5 mm
- 2 vis de 6 x 70 mm
- 4 - Vis de montage de 5 x 35 mm
- 2 - chevilles d'ancrage de diamètre 10 x 60 mm

Exigences d'emplacement

IMPORTANT : Observer les dispositions de tous les codes et règlements en vigueur.

Confier l'installation de la hotte à un technicien qualifié. C'est à l'installateur qu'incombe la responsabilité de respecter les distances de séparation exigées, spécifiées sur la plaque signalétique de l'appareil. La plaque signalétique de l'appareil est située derrière le filtre de gauche, sur la paroi arrière de la hotte.

On doit toujours installer la hotte à distance des sources de courant d'air (fenêtres, portes et bouches de chauffage).

Respecter les dimensions indiquées pour les ouvertures à découper dans les placards; ces dimensions tiennent compte des valeurs minimales des dégagements de séparation.

On doit disposer d'une prise de courant électrique reliée à la terre. Voir la section "Spécifications électriques".

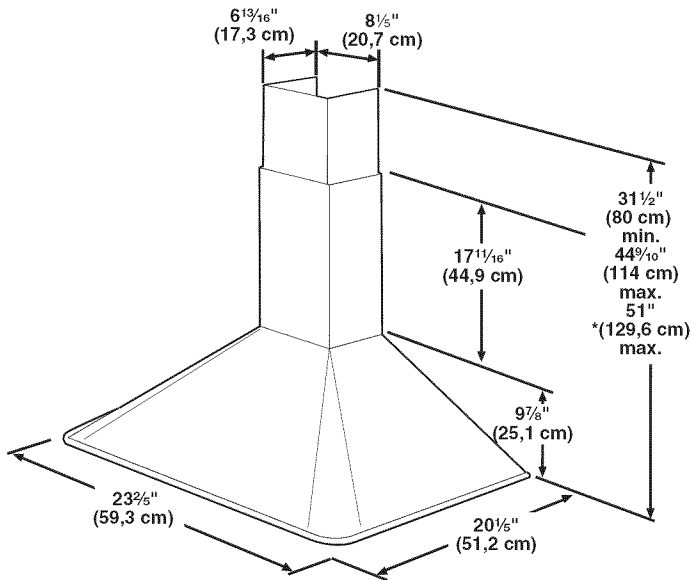
La hotte est configurée à l'usine pour la décharge à travers le toit ou un mur. Pour une installation sans décharge à l'extérieur (recyclage), voir "Installation sans décharge à l'extérieur (recyclage)" à la section "Préparation de l'emplacement". L'ensemble Filtre à charbon (pièce numéro 4396848) est disponible chez votre marchand ou chez un distributeur de pièces autorisé.

On doit assurer l'étanchéité au niveau de chaque ouverture découpée dans le plafond ou un mur traversé par l'équipement de la hotte.

Installation dans une résidence mobile

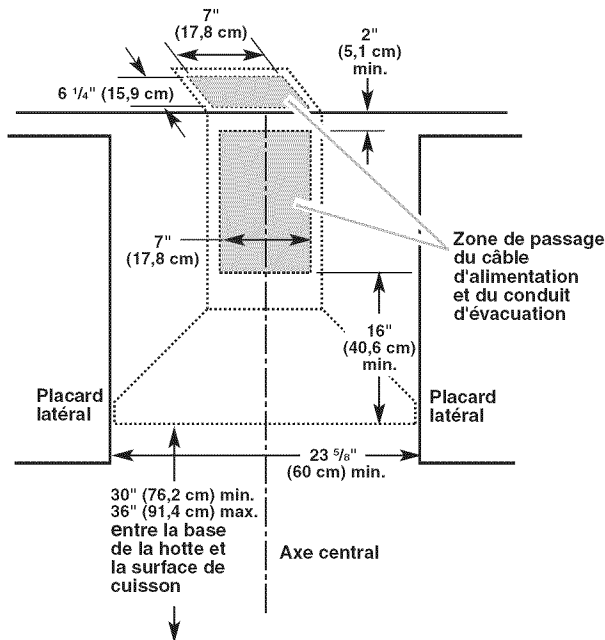
L'installation de cette hotte doit satisfaire aux exigences de la norme Manufactured Home Construction Safety Standards, Titre 24 CFR, partie 328 (anciennement Federal Standard for Mobile Home Construction and Safety, Titre 24, HUD, partie 280); lorsque cette norme n'est pas applicable, l'installation doit satisfaire aux critères de la plus récente édition de la norme Manufactured Home Installation 1982 (Manufactured Home Sites, Communities and Setups) ANSI A225.1/NFPA 501A*, ou des codes et règlements locaux.

Dimensions du produit



*Pour une installation sans décharge à l'extérieur (recyclage)

Dimensions à respecter lors de l'installation



Exigences concernant l'évacuation

- Le système d'évacuation doit décharger l'air à l'extérieur, excepté pour les installations sans décharge à l'extérieur.
- Ne pas terminer le conduit d'évacuation dans un grenier ou dans un autre espace fermé.
- Ne pas utiliser une bouche de décharge murale de 4" (10,2 cm) normalement utilisée pour un équipement de buanderie.
- Utiliser un conduit métallique uniquement. Un conduit en métal rigide est recommandé. Ne pas utiliser de conduit de plastique ou de métal très mince.

- Le système d'évacuation doit comporter un clapet. Si la bouche de décharge murale ou par le toit comporte un clapet, ne pas utiliser le clapet fourni avec la hotte de cuisinière.

Pour un fonctionnement efficace et silencieux :

- Utiliser autant que possible des sections droites et minimiser le nombre de coudes.
- Ne pas utiliser plus de trois coudes à 90°.
- Veiller à ce qu'il y ait une section droite de conduit de 24" (61 cm) ou plus entre deux coudes, si on doit utiliser plus de un raccord coudé.
- Ne pas installer 2 coudes ensemble.
- Au niveau de chaque jointure du conduit de décharge, assurer l'étanchéité avec des brides.
- Autour de la bouche de décharge à l'extérieur, assurer l'étanchéité avec un produit de calfeutrage.
- La taille du conduit doit être uniforme.

Installations pour régions à climat froid

On doit installer un clapet anti-reflux additionnel pour minimiser le reflux d'air froid. Un élément non métallique d'isolation thermique doit être installé pour minimiser la conduction des températures extérieures par l'intermédiaire du conduit d'évacuation. Le clapet anti-reflux doit être placé du côté air froid par rapport à l'élément d'isolation thermique.

L'élément d'isolation thermique doit être aussi proche que possible de l'endroit où le système d'évacuation s'introduit dans la partie chauffée de la maison.

Renouvellement de l'air

Le code du bâtiment local peut exiger l'emploi d'un système d'appoint d'air lors de l'emploi d'un ventilateur d'extraction dont la capacité d'aspiration est supérieure à un débit (pieds cubes par minute) spécifié. Le débit spécifié, pieds cubes par minute, est variable d'une juridiction à une autre. Consulter un professionnel des installations de chauffage ventilation/climatisation au sujet des exigences spécifiques applicables dans la juridiction locale.

Méthodes d'évacuation

Cette hotte est configurée à l'usine pour la décharge de l'air aspiré à travers le toit ou à travers un mur.

Un circuit d'évacuation en conduit rond de 6" (15,2 cm) est nécessaire pour l'installation (non fourni). La hotte comporte une ouverture de sortie de diamètre 6" (15,2 cm).

REMARQUE : On déconseille l'emploi d'un conduit flexible. Un conduit flexible peut causer une rétro-pression et des turbulences de l'air, ce qui réduit considérablement la performance.

La sortie à l'extérieur du circuit d'évacuation peut se faire à travers le toit ou à travers un mur. Pour la sortie à travers un mur, on doit employer un raccord coudé à 90°.

Décharge par l'arrière

Le raccord coudé à 90° peut être installé immédiatement au-dessus de la hotte.

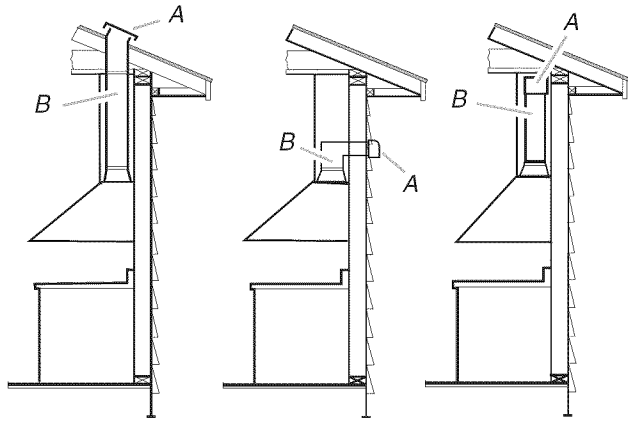
Installation sans décharge à l'extérieur (recyclage)

S'il n'est pas possible d'évacuer les fumées et vapeurs de cuisson à l'extérieur, on peut employer la version "installation sans décharge à l'extérieur (recyclage)" de la hotte dotée d'un filtre à charbon actif et du déflecteur. Les vapeurs/fumées sont alors recyclées à travers la grille supérieure.

Décharge à travers le toit

Décharge à travers le mur

Installation sans décharge à l'extérieur (recyclage)



A. Bouche de décharge sur toit
B. Conduit dia. 6" (15,2 cm)

A. Bouche de décharge murale
B. Conduit dia. 6" (15,2 cm)

A. Déflecteur
B. Conduit dia. 6" (15,2 cm)

Spécifications électriques

IMPORTANT : Observer les dispositions de tous les codes et règlements en vigueur. Conserver les instructions d'installation pour consultation par l'inspecteur des installations électriques.

C'est au client qu'incombe la responsabilité de contacter un électricien qualifié et de veiller à ce que l'installation électrique soit adéquate et réalisée en conformité avec les prescriptions de la plus récente édition de la norme National Electrical Code, ANSI/NFPA 70, ou de la norme CSA C22.1-94, Code canadien de l'électricité, partie 1 et C22.2 N° 0-M91, et de tous les codes et règlements locaux en vigueur.

Si les codes le permettent et si on utilise un conducteur distinct de liaison à la terre, il est recommandé qu'un électricien qualifié vérifie la qualité de la liaison à la terre.



Pour obtenir un exemplaire de la norme des codes ci-dessus, contacter :

National Fire Protection Association
One Batterymarch Park
Quincy, MA 02269
CSA International
8501 East Pleasant Valley Road
Cleveland, OH 44131-5575

- L'appareil doit être alimenté par un circuit de 120 V, 60 Hz, CA seulement, 15 ampères, protégé par fusible.
- Ne pas utiliser une tuyauterie de gaz pour le raccordement à la terre.
- En cas de doute quant à la qualité de la liaison à la terre de la hotte de la cuisinière, consulter un électricien qualifié.
- Ne pas installer un fusible dans le conducteur neutre ou le conducteur de liaison à la terre.
- La hotte doit être raccordée au réseau électrique uniquement avec des conducteurs de cuivre.
- La hotte doit être raccordée directement au coupe-circuit avec fusible ou au disjoncteur par l'intermédiaire de câble à conducteurs de cuivre, à blindage métallique flexible ou à gaine non-métallique. Il est recommandé de raccorder la hotte sur un circuit distinct exclusif à cet appareil.
- Le calibre des conducteurs (cuivre seulement) et les connexions doivent être compatibles avec la demande de courant de l'appareil spécifiée sur la plaque signalétique. La plaque signalétique de l'appareil est située derrière le filtre, sur la paroi arrière de la hotte.
- Le calibre des conducteurs doit satisfaire les exigences de la plus récente édition de la norme National Electrical Code, ANSI/NFPA 70, ou de la norme CSA C22.1-94, Code canadien de l'électricité, partie 1 et C22.2 N° 0-M91 et de tous les codes et règlements en vigueur.
- Un serre-câble de 1/2" (12,7 mm) (homologation UL ou CSA) doit être installé à chaque extrémité du câble d'alimentation (sur la hotte et sur le boîtier de distribution).

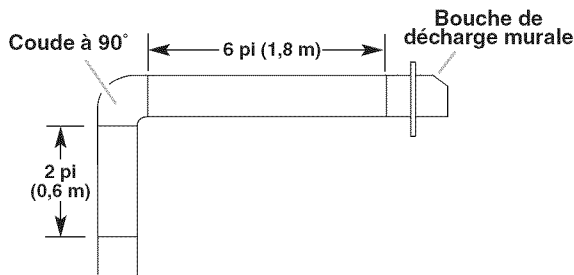
Calcul de la longueur effective du circuit d'évacuation

Pour calculer la longueur effective du circuit d'évacuation nécessaire, additionner les longueurs équivalentes (pieds/mètres) de tous les composants utilisés dans le système.

Composant	Conduit de diamètre 6" (15,2 cm)	
coude à 45°	2,5 pi (0,8 m)	
coude à 90°	5 pi (1,5 m)	

La longueur équivalente maximum est de 35 pi (10,7 m).

Exemple de système de décharge



Dans l'exemple suivant, la longueur théorique du circuit est inférieure au maximum de 35 pi (10,7 m).

1 - coude à 90°	= 5 pi (1,5 m)
1 - bouche de décharge murale	= 0 pi (0 m)
section droite de 8 pi (2,4 m)	= 8 pi (2,4 m)
Longueur du système	= 13 pi (3,9 m)

INSTRUCTIONS D'INSTALLATION

Préparation de l'emplacement

- On recommande que le circuit d'évacuation soit installé avant l'installation de la hotte.
- On ne doit couper un poteau de colombage ou une solive que si c'est absolument nécessaire. Dans ce cas, on devra construire une structure de support appropriée.
- Avant d'exécuter les découpages, vérifier la disponibilité d'un espace de passage suffisant dans le plafond ou le mur pour le conduit d'évacuation.
- Avant de sélectionner la hotte à installer, mesurer la hauteur libre sous plafond et la hauteur maximum disponible sous la hotte.

AVERTISSEMENT

Risque du poids excessif

Utiliser deux ou plus de personnes pour déplacer et installer la cuisinière.

Le non-respect de cette instruction peut causer une blessure au dos ou d'autre blessure.

1. Si possible, déconnecter la cuisinière autonome ou encastrée, et déplacer celle-ci hors de l'espace d'installation entre les placards, pour faciliter l'accès au mur arrière. Sinon, placer une épaisse couverture de protection sur le plan de travail, la cuisinière ou la table de cuisson pour la protection contre les dommages ou souillures.
2. Déterminer la méthode d'extraction à utiliser : décharge à travers le mur ou le toit, ou recyclage.
3. Sélectionner une surface plane pour l'assemblage de la hotte. Recouvrir cette surface d'un matériau de protection.

AVERTISSEMENT

Risque du poids excessif

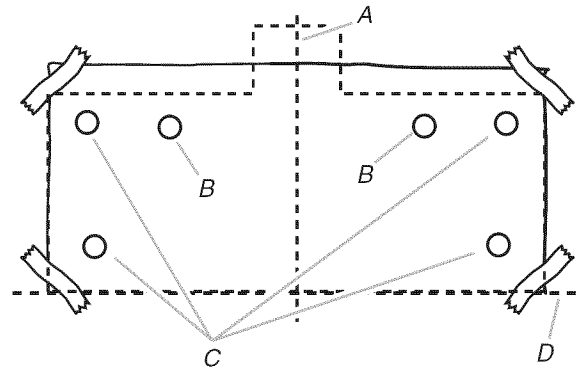
Utiliser deux ou plus de personnes pour déplacer et installer la hotte de la cuisinière.

Le non-respect de cette instruction peut causer une blessure au dos ou d'autre blessure.

4. À l'aide de deux personnes ou plus, soulever la hotte de la cuisinière et la poser sur une surface de protection.
5. Déterminer et marquer la position de l'axe central sur le mur où la hotte sera installée.
6. Choisir une hauteur de montage - minimum 30" (76,2 cm) et maximum suggéré 36" (91,4 cm) - au-dessus de la cuisinière jusqu'au fond de la hotte et tracer une ligne de référence sur le mur.

REMARQUE : Pour une configuration d'installation avec hauteur sous plafond réduite (installation avec ou sans décharge à l'extérieur), la hotte peut être installée avec la section supérieure du cache-conduit.

7. Fixer le gabarit en place avec du ruban adhésif; aligner l'axe central du gabarit et le bas du gabarit avec la ligne correspondant au bas de la hotte, et avec l'axe central déjà tracé sur le mur.



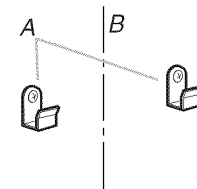
A. Axe central
B. Emplacement du crochet de montage
C. Emplacements des organes de fixation
D. Ligne de référence - hauteur de montage

8. À l'aide du gabarit, marquer sur le mur le centre des 6 trous des organes de fixation.

IMPORTANT : Toutes les vis doivent être vissées dans du bois.

Enlever le gabarit.

9. Percer des avant-trous de $\frac{7}{64}$ " (2,75 mm) sur tous les emplacements pour la pose des vis dans du bois.
 10. Déterminer et marquer toutes les lignes de découpage nécessaires sur le mur pour le passage du circuit d'évacuation. Installer le système d'évacuation avant la hotte. Voir la section "Exigences concernant l'évacuation".
 11. Déterminer la hauteur appropriée pour le conduit de $\frac{1}{2}$ "; percer un trou de $\frac{1}{4}$ " (3,2 cm) à cet endroit.
 12. Faire passer le câblage dans le conduit de $\frac{1}{2}$ " - respecter les prescriptions des codes en vigueur (Code national de l'électricité, normes CSA ou codes/règlements locaux); il faut que la longueur du conduit de $\frac{1}{2}$ " et des conducteurs soit suffisante depuis le tableau de distribution (avec fusibles ou disjoncteurs) pour réaliser facilement le raccordement dans le boîtier de connexion de la hotte.
- REMARQUE :** Ne pas remettre le système sous tension avant d'avoir complètement terminé l'installation.
13. Utiliser un calfeutrant pour assurer l'étanchéité au niveau de chaque ouverture.
 14. Fixer 2 crochets de montage au mur aux emplacements marqués sur le gabarit.

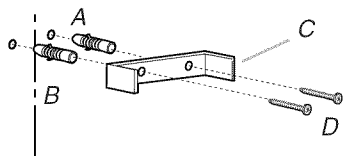


A. Crochets de montage
B. Axe central sur le mur

Installation de la bride de cache-conduit

Installation avec utilisation de télescope et des sections supérieure et inférieure du cache-conduit

1. Positionner la bride de cache-conduit sur le mur à environ $\frac{1}{8}$ " (3 mm) du plafond.
2. Faire des repères aux emplacements des trous.
3. Percer des trous de $\frac{3}{8}$ " (9,5 mm) pour les chevilles et insérer ces dernières en affleurement avec le mur.



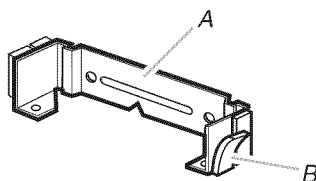
A. Chevilles d'ancrage de diamètre 10 x 60 mm
B. Axe central sur le mur
C. Bride de support du cache-conduit
D. Vis de 6 x 70 mm

4. Fixer la bride de support du cache-conduit au mur.

Configuration d'installation avec hauteur sous plafond réduite

Pour une installation avec ou sans décharge à l'extérieur (recyclage), on utilise seulement la section supérieure du cache-conduit (26" [66 cm]), plus une cale d'appui en bois de $\frac{1}{4}$ " (6,4 mm) d'épaisseur.

1. Pour que le cache-conduit puisse coulisser vers le bas et s'engager dans le sommet de la hotte, la bride de cache-conduit doit être montée à $\frac{1}{4}$ " (6,4 mm) sous le plafond.
2. On peut obturer l'espace résiduel au-dessus du cache-conduit avec un morceau de contreplaqué de $\frac{1}{4}$ " (6,4 mm), découpé selon le profil de la cavité intérieure du cache-conduit (finition assortie à celle du plafond).
3. Découper en 4 sections identiques le ruban de caoutchouc autoadhésif fourni avec la hotte. Fixer 2 pièces de caoutchouc de chaque côté de la bride de plafond.



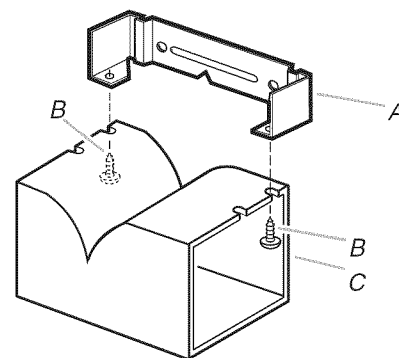
A. Bride de cache-conduit
B. Ruban de caoutchouc

Installation avec circuit d'évacuation

Installer le raccord de transition au sommet de la hotte (s'il a été enlevé pour expédition), avec 2 vis de tôlerie.

Installation sans décharge à l'extérieur (recyclage)

1. Installer le raccord de transition au sommet de la hotte (s'il a été enlevé pour expédition), avec 2 vis de tôlerie.
2. Fixer la bride de fixation au plafond du cache-conduit sur le déflecteur, avec deux vis de 3,5 x 9,5 mm fournies.



A. Bride de cache-conduit
B. Vis de 3,5 x 9,5 mm
C. Déflecteur

3. Connecter le déflecteur au raccord de transition avec le conduit rond de diamètre 6" (15,2 cm).

Installation de la hotte

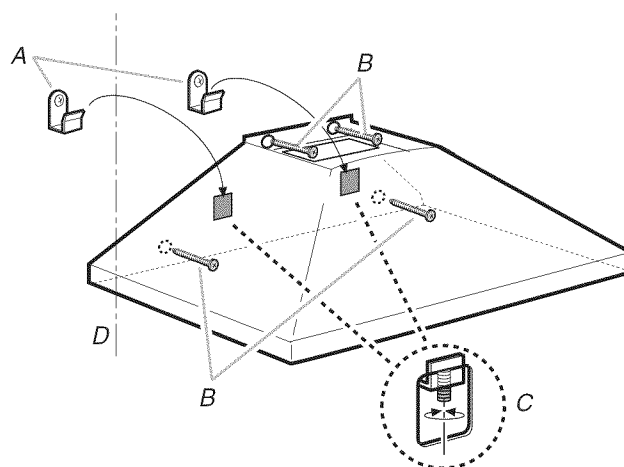
⚠ AVERTISSEMENT

Risque du poids excessif

Utiliser deux ou plus de personnes pour déplacer et installer la hotte de la cuisinière.

Le non-respect de cette instruction peut causer une blessure au dos ou d'autre blessure.

1. À l'aide de deux personnes ou plus, suspendre la hotte aux deux crochets de montage, à travers les orifices rectangulaires à l'arrière de la hotte.

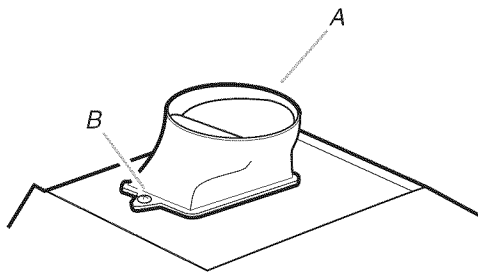


A. Crochets de montage
B. Vis de montage de 5 x 35 mm
C. Vis de réglage de l'aplomb
D. Axe central sur le mur

2. Établir l'aplomb de la hotte - utiliser les vis de réglage de l'aplomb dans les crochets de montage ou les ouvertures rectangulaires; placer un niveau en travers du bas de la hotte pour le contrôle.
3. Immobiliser la hotte avec 4 vis placées dans les 4 trous restants de la hotte.

Installation du conduit d'évacuation (pour installations avec décharge à l'extérieur uniquement)

1. Connecter le circuit d'évacuation sur le raccord de transition.



A. Raccord de transition
B. Vis de 3,5 x 6,5 mm

2. Utiliser des brides pour assurer l'étanchéité des jointures.

Raccordement électrique

⚠ AVERTISSEMENT



Risque de choc électrique

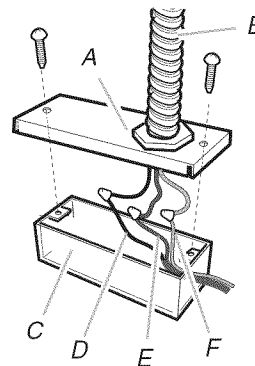
Déconnecter la source de courant électrique avant l'entretien.

Replacer pièces et panneaux avant de faire la remise en marche.

Le non-respect de ces instructions peut causer un décès ou un choc électrique.

1. Déconnecter la source de courant électrique.
2. Ôter le couvercle de la boîte de connexion.
3. Retirer l'opercule arrachable sur le couvercle de la boîte de connexion et installer un serre-câble de 1/2" (homologation UL ou CSA).

4. Acheminer 3 conducteurs de calibre 14 (noir, blanc et vert) dans un conduit de 1/2" entre le tableau de distribution et la boîte de connexion.



A. Serre-câble (homologation UL ou CSA)
B. Conduit de 1/2"
C. Boîte de connexion
D. Conducteurs noirs
E. Conducteur vert (ou nu) connecté au conducteur jaune/vert
F. Conducteurs blancs

5. Connecter ensemble les conducteurs noirs - utiliser un connecteur de fils (homologation UL).
6. Connecter ensemble les conducteurs blancs - utiliser un connecteur de fils (homologation UL).

⚠ AVERTISSEMENT



Risque de choc électrique

Relier le ventilateur à la terre.

Brancher le fil relié à la terre au fil vert et jaune relié à la terre dans la boîte de la borne.

Le non-respect de ces instructions peut causer un décès ou un choc électrique.

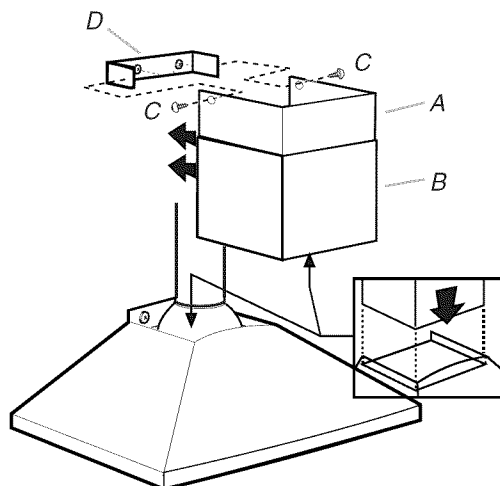
7. Brancher le conducteur de liaison à la terre au conducteur de liaison à la terre vert et jaune dans la boîte de connexion avec des connecteurs de fils (homologués UL).
8. Réinstaller le couvercle de la boîte de connexion.
9. Inspecter chaque lampe; vérifier que chaque lampe est bien insérée dans sa douille.
10. Reconnecter la source de courant électrique.

Achever l'installation

1. Installer le cache-conduit.

- En cas d'utilisation des sections supérieure et inférieure du cache-conduit, pousser la section inférieure vers le bas sur la hotte et soulever la section supérieure vers le plafond pour installer deux vis de 2,9 x 6,5 mm.

REMARQUE : Le cache-conduit supérieur peut être inversé pour dissimuler les fentes

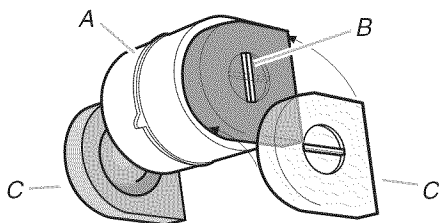


A. Cache-conduit - section supérieure
B. Cache-conduit - section inférieure
C. Vis de 2,9 x 6,5 mm
D. Bride

- Pour une configuration d'installation avec hauteur sous plafond réduite, et utilisation de la section inférieure ou supérieure du cache-conduit, pousser le cache-conduit vers le bas sur la hotte, et emboîter le conduit en place autour de la bride du cache-conduit.

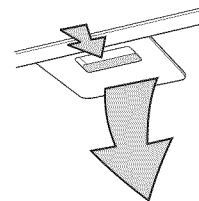
Installation des filtres

1. Pour les installations sans décharge à l'extérieur (recyclage), installer le filtre à charbon sur la grille du carter du ventilateur et tourner la manette du filtre dans le sens horaire. Répéter pour l'autre filtre à charbon.

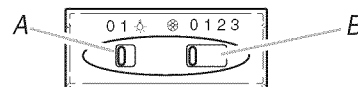


A. Carter du ventilateur
B. Manette du filtre
C. Filtres à charbon

2. Pour tous les types d'installations, insérer le bord arrière ou le filtre métallique dans la rainure arrière de l'ouverture du filtre.
3. Pousser la manette vers l'arrière et pousser le filtre vers le haut.
4. Tirer le filtre vers l'avant pour l'insérer dans la rainure avant.



Contrôle du fonctionnement



A. Commutateur d'éclairage
B. Commutateur du ventilateur

1. Pousser le commutateur d'éclairage à la position "1". La lampe devrait s'allumer.
2. Pousser le commutateur du ventilateur à la position "1". Le ventilateur devrait fonctionner.
3. Placer le sélecteur de vitesse du ventilateur à la position "1" pour la basse vitesse, à la position "2" pour la vitesse moyenne ou à la position "3" pour la haute vitesse.
4. Pour commander l'arrêt du ventilateur et l'extinction des lampes, placer les commutateurs à la position "0".
5. Si la hotte ne fonctionne pas, déterminer si le circuit est correctement alimenté (disjoncteur ouvert ou fusible grillé?).
6. Déconnecter la source de courant électrique.
7. Vérifier que le câblage est correct.
8. Replacer pièces et panneaux avant de faire la remise en marche.
9. Reconnecter la source de courant électrique.

REMARQUE : Pour pouvoir tirer le plus grand parti de la hotte de cuisinière, lire la section "Utilisation de la hotte".

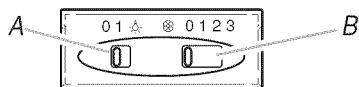
UTILISATION DE LA HOTTE

Fonctionnement

La hotte est conçue pour extraire fumée, vapeurs de cuisson et odeurs au-dessus de la table de cuisson. Pour obtenir les meilleurs résultats, mettre le ventilateur de la hotte en marche avant d'entreprendre une cuisson, et laisser le ventilateur fonctionner pendant plusieurs minutes après l'achèvement d'une cuisson pour pouvoir évacuer de la cuisine toute trace d'odeur de cuisson, vapeur ou fumée.

Tableau de commande de la hotte

Les commandes de la hotte sont situées à l'avant de la hotte.



A. Commutateur d'éclairage
B. Commutateur du ventilateur

Commande de la lampe

1. Placer le commutateur d'éclairage à la position "1" pour commander la mise en marche de la lampe.
2. Placer le commutateur d'éclairage à la position "0" pour éteindre la lampe.

Ventilateur - mise en marche et sélection de la vitesse

1. Placer le commutateur du ventilateur à la position "1" pour la vitesse minimale, à la position "2" pour la vitesse moyenne ou à la position "3" pour la vitesse maximale.
2. Placer le commutateur du ventilateur à la position "0" pour commander l'arrêt du ventilateur.

ENTRETIEN DE LA HOTTE

Nettoyage et entretien

IMPORTANT : Nettoyer la hotte et les filtres à graisse régulièrement en suivant les instructions suivantes. Remettre en place les filtres à graisse avant de mettre en marche la hotte.

Avant d'entreprendre le nettoyage de la hotte, attendre le refroidissement des lampes.

Surfaces externes

Nettoyer la hotte avec un détergent doux et un chiffon doux. Ne pas utiliser un produit de nettoyage abrasif ou un tampon de laine d'acier.

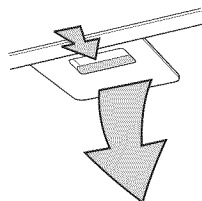
Filtres à graisse métalliques

Laver fréquemment les filtres. Placer les filtres métalliques dans un lave-vaisselle ou une solution de détergent chaude.

Laisser l'eau s'écouler à travers les trous des bords de chaque filtre et sécher parfaitement chaque filtre avant de le réinstaller.

Dépose des filtres métalliques

1. Commander l'arrêt du ventilateur et l'extinction des lampes. Vérifier que la lampe à halogène est froide.
2. Pousser la manette vers l'arrière et tirer vers le bas.
3. Tirer le filtre vers l'avant.



Remplacement du filtre à graisse métallique

1. Insérer le bord arrière du filtre dans la rainure arrière de l'ouverture d'installation du filtre.
2. Pousser la manette vers l'arrière et pousser le filtre vers le haut.
3. Tirer le filtre vers l'avant pour l'insérer dans la rainure avant.

Filtres à charbon - Installation sans décharge à l'extérieur (recyclage)

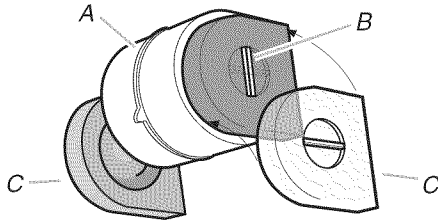
Les filtres à charbon ne sont pas lavables ou réutilisables.

Pour une utilisation normale, ils doivent être remplacés tous les 6 mois.

Les filtres à charbon retiennent les composés responsables des odeurs de cuisson.

Installation des filtres à charbon

1. Commander l'arrêt du ventilateur et l'extinction des lampes. Vérifier que la lampe à halogène est froide.
2. Retirer les filtres à graisse métalliques - pousser la manette vers l'arrière et tirer vers le bas.
3. Tirer le filtre vers l'avant et le mettre de côté.
4. Répéter l'opération pour retirer l'autre filtre métallique.
5. Installer le filtre à charbon au-dessus de la grille sur le carter du ventilateur et tourner la manette du filtre dans le sens horaire.



A. Carter du ventilateur
B. Manette du filtre
C. Filtres à charbon

6. Répéter l'opération pour installer l'autre filtre à charbon.

Remplacement des filtres à graisse métalliques

1. Insérer le bord arrière du filtre dans la rainure arrière de l'ouverture d'installation du filtre.
2. Pousser la manette vers l'arrière et pousser le filtre vers le haut.
3. Tirer le filtre vers l'avant pour l'insérer dans la rainure avant.

Remplacement des filtres à charbon

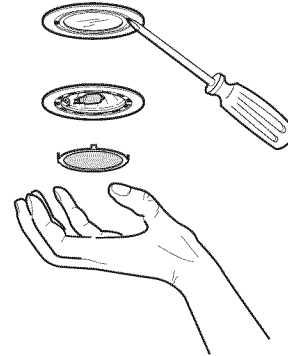
1. Commander l'arrêt du ventilateur et l'extinction des lampes. Vérifier que la lampe à halogène est froide.
2. Retirer les filtres à graisse métalliques - pousser la manette vers l'arrière et tirer vers le bas.
3. Tirer le filtre vers l'avant et le mettre de côté.
4. Répéter l'opération pour retirer l'autre filtre.
5. Tourner la manette du filtre à charbon dans le sens anti-horaire.
6. Retirer et jeter le filtre à charbon.
7. Répéter l'opération pour retirer l'autre filtre à charbon.
8. Installer le filtre à charbon de remplacement au-dessus de la grille sur le carter du ventilateur et tourner la manette du filtre dans le sens horaire.
9. Répéter l'opération pour installer l'autre filtre à charbon.

Remplacement d'une lampe à halogène

Interrompre l'alimentation de la hotte; attendre le refroidissement de la lampe à halogène. Utiliser un chiffon pour le remplacement.

Si les nouvelles lampes ne fonctionnent pas, vérifier que chaque lampe est correctement insérée dans sa douille avant de demander l'intervention d'un dépanneur.

1. Déconnecter la source de courant électrique.
2. À l'aide d'un tournevis à lame plate, dégager doucement la garniture de lampe.



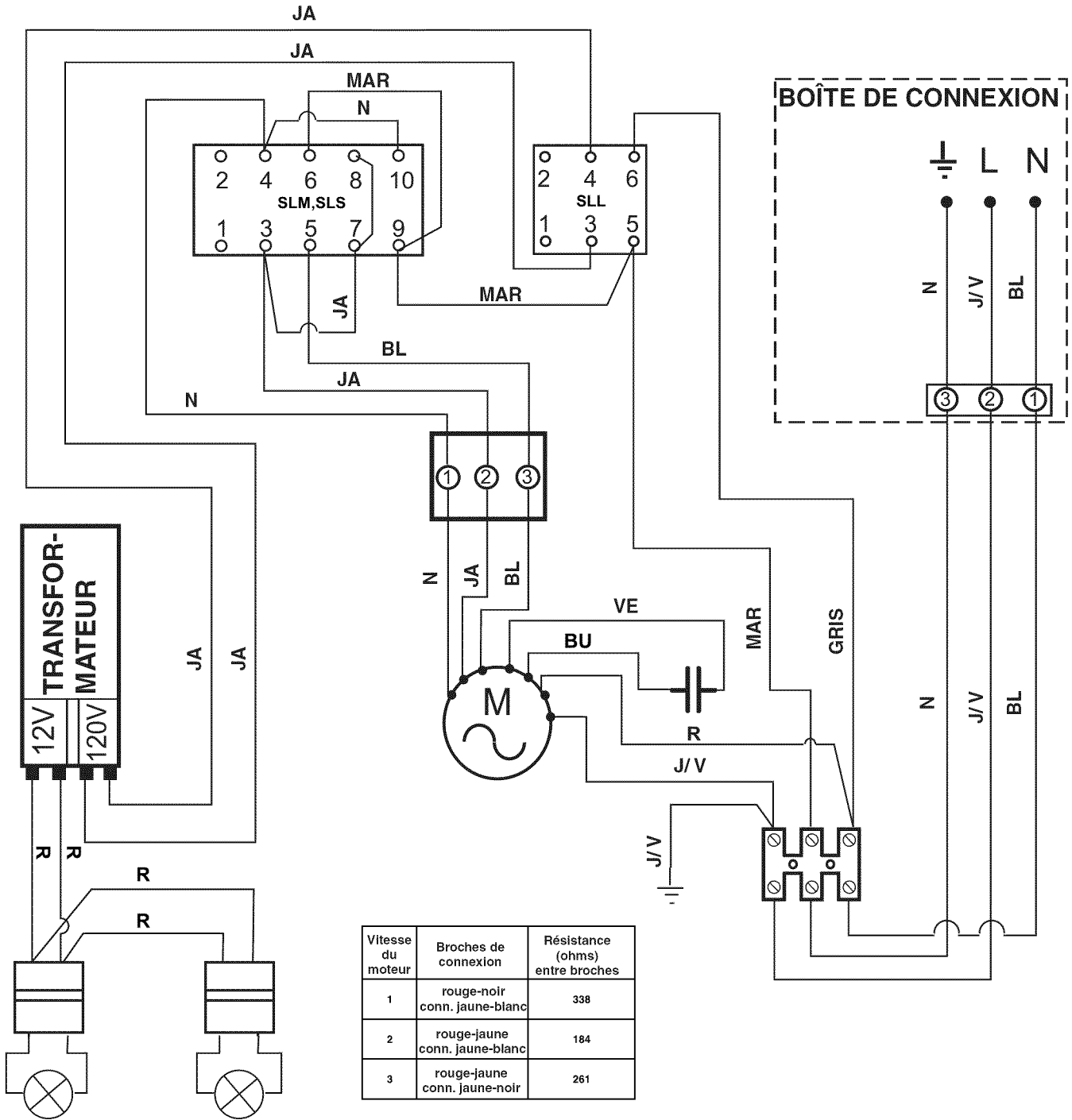
3. Enlever la lampe. Installer une lampe à halogène neuve de 12 V/20 W maximum, à culot de type G-4.
4. Réinstaller la garniture de lampe.

SCHÉMA DE CÂBLAGE

SLM,SLS			
Éteinte	1	2	3
2-4	4-6	6-8	8-10
1-3	3-5	5-7	7-9

SLL	
0	1
2-4	4-6
1-3	3-5

SE1L7A



ASSISTANCE OU SERVICE

Lors d'un appel pour assistance ou service, veuillez connaître la date d'achat, le numéro de modèle et le numéro de série au complet de l'appareil. Ces renseignements nous aideront à mieux répondre à votre demande.

Si vous avez besoin de pièces de rechange

Si vous avez besoin de commander des pièces de rechange, nous vous recommandons d'employer uniquement des pièces spécifiées par l'usine. Les pièces spécifiées par l'usine fonctionneront bien parce qu'elles sont fabriquées avec la même précision utilisée dans la fabrication de chaque nouvel appareil IKEA®.

Pour localiser des pièces spécifiées par l'usine dans votre région, nous appeler ou téléphoner au centre de service désigné le plus proche.

Veuillez appeler sans frais le Centre d'interaction avec la clientèle de Whirlpool Canada LP au : **1-866-664-2449**.

Nos consultants vous renseigneront sur les sujets suivants :

- Caractéristiques et spécifications sur toute notre gamme d'appareils électroménagers.
- Consignes d'utilisation et d'entretien.

- Ventes d'accessoires et pièces de rechange.
- Références aux marchands locaux, aux distributeurs de pièces de rechange et aux compagnies de service. Les techniciens de service désignés par Whirlpool Canada LP sont formés pour remplir la garantie des produits et fournir un service après la garantie, partout au Canada.

Pour plus d'assistance

Si vous avez besoin de plus d'assistance, vous pouvez soumettre par écrit toute question ou préoccupation à Whirlpool Canada LP à l'adresse suivante :

Centre d'interaction avec la clientèle
Whirlpool Canada LP
1901 Minnesota Court
Mississauga, Ontario L5N 3A7

Veuillez inclure dans votre correspondance un numéro de téléphone où on peut vous joindre dans la journée.

Liste d'accessoires

Ensemble Filtre à charbon

Pièce n° 4396848

GARANTIE DES GROS APPAREILS MÉNAGERS IKEA

Pendant combien de temps la garantie limitée IKEA est-elle valide?

Cette garantie limitée est valide pendant cinq ans à compter de la date d'achat lorsque ce gros appareil ménager a été utilisé et entretenu conformément aux instructions jointes au produit ou fournies avec celui-ci, sauf si l'appareil porte le nom LAGAN, auquel cas cette garantie limitée est valide pendant un an à compter de la date d'achat. Cette garantie limitée est valide uniquement aux États-Unis ou au Canada et s'applique exclusivement lorsque le gros appareil ménager est utilisé dans le pays où il a été acheté. Une preuve de la date d'achat d'origine est exigée pour obtenir un service dans le cadre de la présente garantie limitée.

Quels sont les appareils ménagers non couverts par la garantie limitée IKEA de cinq (5) ans?

Pour les gros appareils ménagers portant le nom "LAGAN", cette garantie limitée est valide pendant un an à compter de la date d'achat.

Qui effectuera l'intervention d'entretien ou de réparation?

Cette garantie limitée est fournie par Whirlpool Corporation ou Whirlpool Canada LP (ci-après désignées "Whirlpool"). Le service doit être fourni par une compagnie de service désignée par Whirlpool.

Que couvre cette garantie limitée?

La garantie limitée paiera pour les pièces spécifiées par l'usine et la main-d'œuvre pour corriger les vices de matériaux ou de fabrication qui existaient déjà lorsque ce gros appareil ménager a été acheté. Les exceptions figurent sous le titre "Quels sont les éléments non couverts par cette garantie limitée?".

Quelles mesures seront prises pour corriger le problème?

La compagnie de service désignée examinera le produit et décidera, à sa seule discrétion, si ce produit est couvert par cette garantie limitée ou non. S'il est considéré comme couvert, la compagnie de service désignée corrigera le défaut. Le seul et exclusif recours du client dans le cadre de la présente garantie limitée consiste en la réparation du produit telle que mentionné dans la présente.

Quels sont les éléments non couverts par cette garantie limitée?

- Les visites de service pour rectifier l'installation du gros appareil ménager, montrer à l'utilisateur comment utiliser le gros appareil ménager, remplacer ou réparer des fusibles du domicile ou rectifier le câblage ou la plomberie du domicile.
- Les visites de service pour réparer ou remplacer les ampoules électriques, les filtres à air ou les filtres à eau de l'appareil. Les pièces consommables ne sont pas couvertes par la garantie.
- Les pièces de rechange ou la main-d'œuvre lorsque ce gros appareil ménager est utilisé à des fins autres que l'usage domestique unifamilial normal ou lorsque les instructions d'installation et/ou les instructions de l'opérateur ou de l'utilisateur fournies ne sont pas respectées.
- Les dommages imputables à : accident, modification, usage impropre ou abusif, incendie, inondation, actes de Dieu, installation fautive ou installation non conforme aux codes d'électricité ou de plomberie ou l'utilisation de pièces consommables ou de produits de nettoyage dont l'utilisation n'est pas approuvée.
- Les défauts d'apparence, notamment les éraflures, traces de choc, fissures ou tout autre dommage subi par le fini du gros appareil ménager, à moins que ces dommages ne résultent de vices de matériaux ou de fabrication et ne soient signalés dans les 30 jours qui suivent la date d'achat.

- Toute perte d'aliments ou de médicaments due à une défaillance du réfrigérateur ou du congélateur.
- L'enlèvement et la livraison. Ce gros appareil ménager est conçu pour être réparé à domicile.
- Les réparations aux pièces ou systèmes résultant d'une modification non autorisée faite à l'appareil.
- Les frais de déplacement et de transport pour une intervention sur un produit si le gros appareil ménager est situé dans une région éloignée où un service d'entretien autorisé n'est pas disponible.
- L'enlèvement et la réinstallation du gros appareil ménager si celui-ci est installé dans un endroit inaccessible ou n'est pas installé conformément aux instructions d'installation fournies.
- Les pièces de rechange ou la main-d'œuvre pour les gros appareils ménagers dont les numéros de modèle/de série ont été enlevés, modifiés ou ne peuvent pas être facilement identifiés.

Le coût d'une réparation ou de pièces de rechange dans le cadre de ces circonstances exclues est à la charge du client.

Clause d'exonération de responsabilité au titre des garanties implicites

LES GARANTIES IMPLICITES, Y COMPRIS LES GARANTIES APPLICABLES DE QUALITÉ MARCHANDE OU D'APTITUDE À UN USAGE PARTICULIER, SONT LIMITÉES À CINQ ANS (UN AN POUR LES GROS APPAREILS MÉNAGERS PORTANT LE NOM "LAGAN") OU À LA PLUS COURTE PÉRIODE AUTORISÉE PAR LA LOI. Certains États et provinces ne permettent pas de limitation sur la durée de garanties implicites de qualité marchande ou d'aptitude à un usage particulier, de sorte que la limitation ci-dessus peut ne pas être applicable dans votre cas. Cette garantie vous confère des droits juridiques spécifiques et vous pouvez également jouir d'autres droits qui peuvent varier d'une juridiction à l'autre.

Limitation des recours; exclusion des dommages fortuits et indirects

LE SEUL ET EXCLUSIF RECOURS DU CLIENT DANS LE CADRE DE LA PRÉSENTE GARANTIE LIMITÉE CONSISTE EN LA RÉPARATION PRÉVUE CI-DESSUS. WHIRLPOOL N'ASSUME AUCUNE RESPONSABILITÉ POUR LES DOMMAGES FORTUITS OU INDIRECTS. Certains États et certaines provinces ne permettent pas l'exclusion ou la limitation des dommages fortuits ou indirects de sorte que ces limitations et exclusions peuvent ne pas être applicables dans votre cas. Cette garantie vous confère des droits juridiques spécifiques et vous pouvez également jouir d'autres droits qui peuvent varier d'une juridiction à l'autre.

Comment nous contacter si vous avez besoin d'une intervention d'entretien ou de réparation

Si vous résidez à l'extérieur des 50 États des États-Unis et du Canada, contactez votre marchand IKEA autorisé pour déterminer si une autre garantie s'applique.

Si vous avez besoin d'une intervention d'entretien ou de réparation, veuillez lire les Instructions d'installation et/ou la section "Dépannage" dans le Guide d'utilisation et d'entretien avant de nous contacter. Si vous avez besoin d'aide supplémentaire, n'hésitez pas à nous contacter aux États-Unis et au Canada au **1-866-664-2449**. 2/09

Conservez ce manuel et votre reçu de vente ensemble pour référence ultérieure. Pour le service sous garantie, vous devez présenter un document prouvant la date d'achat ou d'installation.

Inscrivez les renseignements suivants au sujet de votre gros appareil ménager pour mieux vous aider à obtenir assistance ou service en cas de besoin. Vous devrez connaître le numéro de modèle et le numéro de série au complet. Vous trouverez ces renseignements sur la plaque signalétique située sur le produit.

Nom du marchand _____

Adresse _____

Numéro de téléphone _____

Numéro de modèle _____

Numéro de série _____

Date d'achat _____