



**TS112W**  
**TRUESONIC**

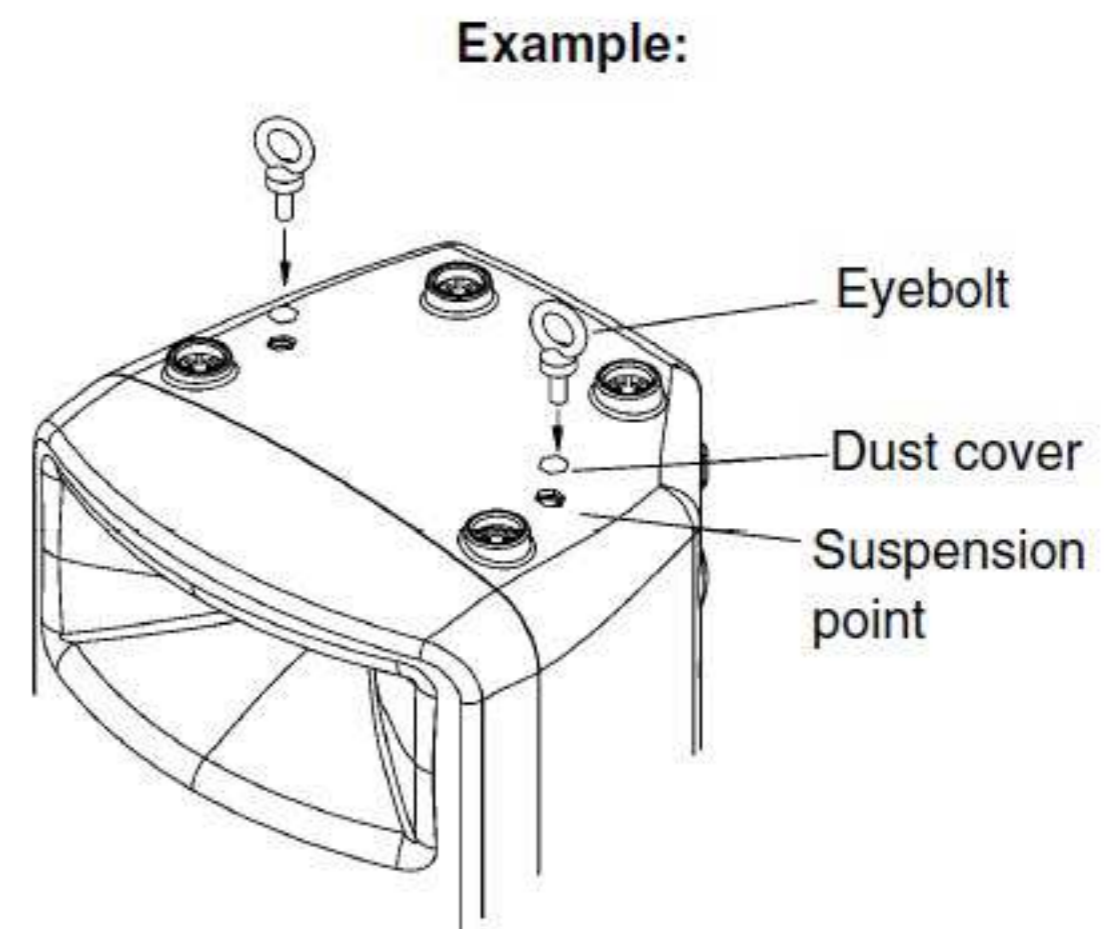
**QUICKSTART GUIDE**  
ENGLISH

## BOX CONTENTS

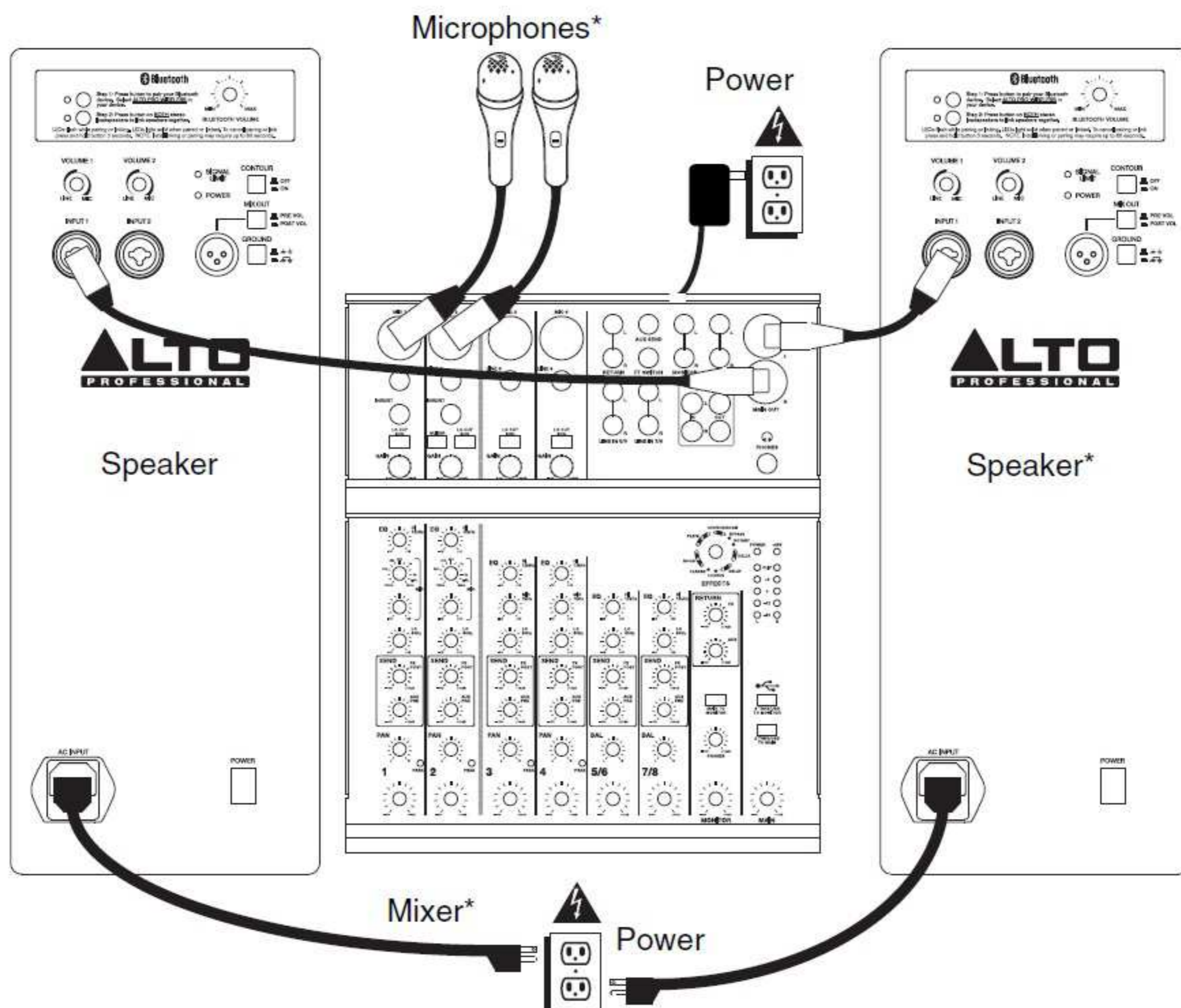
- Truesonic Wireless speaker
- Power cable
- Quickstart Guide
- Safety Instructions & Warranty Information Booklet

## INSTALLATION

This speaker should be installed on a stand on the floor, according to its maximum weight, or suspended from its suspension points (M10 x 1.5PH, 30mm length) (see example image). We do NOT recommend suspending multiple speakers in a vertical array.



## CONNECTION DIAGRAM



*This diagram is a suggestion for setting up the speaker with audio connections. To pair the speaker with a Bluetooth™ device, see the BLUETOOTH PAIRING & LINKING section below.*

**\*Note:** Microphones, mixer, and cables are not included. Second Truesonic Wireless speaker sold separately.

## BLUETOOTH PAIRING & LINKING

### IMPORTANT:

- These steps are for wireless audio streaming only.
- When pairing or linking, do only one process at a time. Starting one process before the other is finished will cancel the first.
- The tone sequences for pairing and linking are different, so you can easily distinguish between the two.

### ABOUT RANGE

Truesonic wireless loudspeakers use an advanced, extended-range Bluetooth antenna design, allowing for ranges far greater than traditional Bluetooth devices. The typical range is 60-80 feet (18-24 meters) with a clear line of sight. However, the range may vary depending on your source device and the environment.

#### To maximize the range:

- Set your source device on a flat surface and make sure there are no obstacles between the loudspeaker and your device (e.g., walls, furniture, etc.).
- Turn off your source device's Wi-Fi.
- Turn off any unneeded 2.4 GHz devices in the nearby vicinity (e.g., other Bluetooth devices, baby monitors, Wi-Fi access points, microwave ovens, etc.).
- Try using a different Bluetooth source device. Bluetooth signal strength varies between different devices.

### PAIRING

#### To pair the speaker to your Bluetooth device:

1. With the loudspeaker powered on, press and release its BLUETOOTH PAIRING BUTTON. Its LED will flash, and you will hear a tone sequence from the loudspeaker.
2. From your Bluetooth device's settings page, enable Bluetooth and select **ALTO PRO WIRELESS TS112W** as the device. When paired successfully, you will hear a final "confirmation tone" from the loudspeaker and the BLUETOOTH PAIRING BUTTON LED will light continuously. (This process may take up to 60 seconds.)

**Note:** If your device prompts you to enter a PIN code to pair it to the speaker, enter **0000** (four zeros).

**Note:** If your device prompts you to select the connection type, select "stereo speakers," "advanced audio," or a similar option.

3. Turn the loudspeaker's BLUETOOTH VOLUME knob to its lowest setting.
4. On your Bluetooth device, play music. We recommend setting the playback volume at its maximum setting. Then, adjust the loudspeaker's BLUETOOTH VOLUME knob to the desired level.
5. Once your device is paired to the speaker, the speaker will remember the device even after power-cycling it. To reconnect, go to your device's settings page and select "Connect" to re-establish the connection.

### LINKING

#### If you are using two Truesonic wireless speakers:

1. Press and release the LINK BUTTON on both speakers.
2. Both loudspeakers' LEDs will flash while "searching" for each other, and you will hear a tone sequence from both loudspeakers. (This process may take up to 60 seconds. However, the very first time you link the loudspeakers, the process may take up to 3 minutes.)
3. When they are successfully linked, you will hear a final "confirmation tone" from both loudspeakers and the LINK BUTTON LEDs on both loudspeakers will light continuously.

**Note:** The loudspeaker that is connected to your source device is the "master"; the linked loudspeaker is the "slave." The source device sends its signal to the master, and the master relays the signal to the slave.

**Note:** The stereo signal will be split between the two loudspeakers: the master loudspeaker will play the left channel; the slave loudspeaker will play the right channel.

**Tip:** When using two loudspeakers, we recommend labeling the master loudspeaker so you can distinguish between the two in future setups.

## ADDITIONAL INFORMATION

Truesonic wireless loudspeakers will remember their pairing and linking settings even after they are powered off. When you turn the loudspeakers back on, they will automatically reconnect to each other. When the connections are re-established between the loudspeakers, the LEDs next to the LINK BUTTONS will light continuously.

*Tip: Once your device is paired to the speaker, the speaker will remember the device even after power-cycling it. To reconnect, go to your device's settings page and select "Connect" to re-establish the connection.*

If the connection is lost between the loudspeakers, or between the loudspeaker and the source device, or if they do not reconnect automatically, then power-cycle **both** loudspeakers and go to your device's settings page and select "Connect" to re-establish the connection.

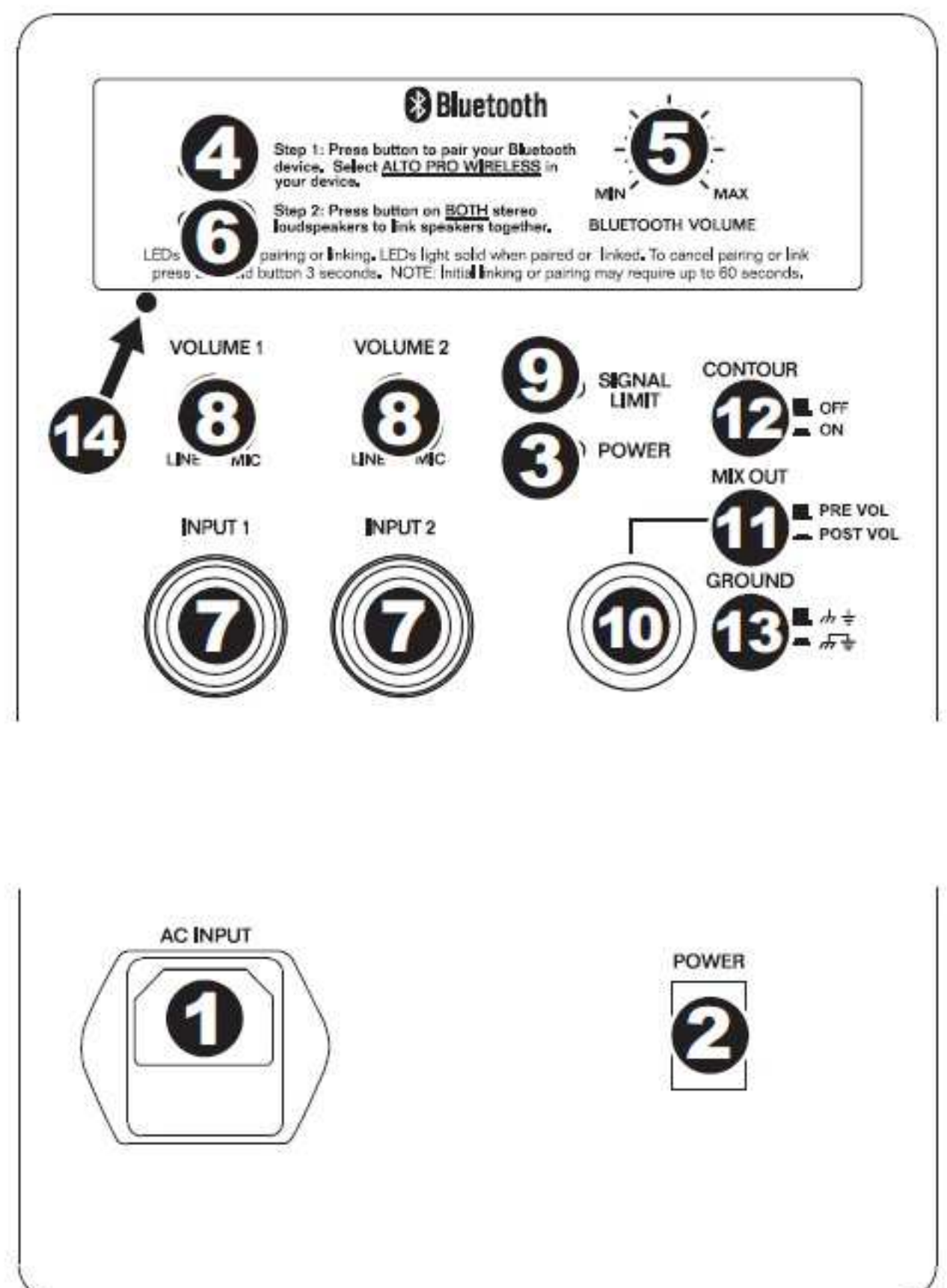
When the two loudspeakers are linked, you can only pair your source device to the master loudspeaker. The slave loudspeaker's BLUETOOTH PAIRING BUTTON will be disabled; if you press it, you will hear 3 rapid "beeps" to indicate that the button is "locked out."

**To erase all previous pairing and linking settings**, press and hold either the BLUETOOTH PAIRING BUTTON or the LINK BUTTON for 3 seconds. You will hear a long tone to confirm its pairing and linking settings have been erased. The LEDs will also turn off. Do this on both the master and the slave loudspeakers. Now, you can pair to a new source device or link the loudspeakers again.

**Note:** The volume of the pairing and linking tones are pre-set to an optimal level. To adjust their volume, see the REAR PANEL OVERVIEW section for information.

## REAR PANEL OVERVIEW

1. **POWER INPUT** – Connect the included power cable to this input and connect the other end of the cable to a power source. Make sure the loudspeaker's POWER SWITCH is set to "off" when plugging and unplugging the cable.
2. **POWER SWITCH** – Turns the loudspeaker on/off. Make sure the VOLUME knob is set to "zero" before turning it on.
3. **POWER LED** – Illuminates when the loudspeaker is on.
4. **BLUETOOTH PAIRING BUTTON** – Press and release this button to pair the loudspeaker to your Bluetooth device. See the BLUETOOTH PAIRING & LINKING section for pairing instructions.
5. **BLUETOOTH VOLUME** – Turn this knob to adjust the input volume of your paired Bluetooth device.
6. **LINK BUTTON** – When using a pair of Truesonic Wireless loudspeakers, press and release this button on each speaker to "link" them wirelessly. See the BLUETOOTH PAIRING & LINKING section for more information.
7. **INPUT** – Use a standard 1/4" TRS or XLR cable (not included) to connect your sound source to this input.
8. **INPUT VOLUME** – Turn this knob to adjust the input volume for each INPUT.
9. **SIGNAL LIMIT LED** – Illuminates RED when the internal protection circuit is activated by a high signal level. The protection circuit dynamically reduces the signal level to avoid audible distortion and to protect the woofer and high-frequency driver from over excursion or mechanical damage. If the LED is lit constantly, or the sound is distorted, reduce the signal level of your sound source, or lower the volume control on the rear panel.
10. **MIX OUT** – Use a standard XLR cable (not included) to connect this jack to the input of another loudspeaker.
11. **MIX OUT SELECTOR** – When disengaged (PRE VOL), the MIX OUT level will be unaffected by the INPUT VOLUME controls. When engaged (POST VOL), the MIX OUT level can be adjusted by the INPUT VOLUME controls.  
**Note:** The BLUETOOTH VOLUME control always affects the MIX OUT.
12. **CONTOUR** – Engage (depress) this switch to equalize the mix for optimal music playback. Disengage (raise) the switch during live performance for a flatter response.
13. **GROUND SWITCH** – Press this switch to reduce hum or noise.
14. **PAIRING/LINKING TONE VOLUME** – Below and to the left of the LINK BUTTON, there is a small opening that exposes a recessed level control. This potentiometer controls the volume of the pairing/linking tones. This is pre-set to an optimal volume by default, but you may use a small, flathead jeweler's screwdriver to adjust it from  $-\infty$  dB to +10 dB. (Turning it clockwise increases the volume; counter-clockwise decreases it.) To return it to the factory setting, turn it until you feel the center detent at the 12 o'clock position.



## SPECIFICATIONS

<b>Output Power:</b>	800 W Peak (670 W LF + 130 W HF) 400 W Continuous RMS (335 W LF + 65 W HF)
<b>Crossover:</b>	2.5 kHz
<b>Max SPL @ 1m:</b>	125 dB Peak, 122 dB Continuous
<b>Frequency Response:</b>	65 Hz – 19 kHz ( $\pm$ 3 dB)
<b>Frequency Range:</b>	54 Hz – 20 kHz (@ -10 dB)
<b>Low Frequency:</b>	12" (305 mm) woofer, 2" (51 mm) voice coil
<b>High Frequency:</b>	Neodymium compression driver, 1" (25 mm) exit, 1" (25 mm) voice coil
<b>Horn Coverage:</b>	80/100° H x 60° V, nominal (@ -6 dB)
<b>Input Control:</b>	Line/Mic $-\infty$ to +50 dB Max input level: +23 dBu Impedance: 15 k $\Omega$
<b>External Control:</b>	Volume, power on/off with LED, clip limiter with LED, ground lift
<b>Connectors:</b>	Input: Two 1/4" TRS or XLR Link: One XLR
<b>Wireless connectivity:</b>	Bluetooth (A2DP)
<b>Wireless range:</b>	60-80 feet (18-24 meters), typical
<b>Protection features:</b>	Over-excursion, thermal, driver
<b>Power supply:</b>	100 VAC, 110-120 VAC, or 220-240 VAC; 50/60 Hz
<b>Cabinet:</b>	Trapezoidal with floor monitor capability. Injection-molded polypropylene with perforated steel grille
<b>Mounting information:</b>	Integrated pole socket (36 mm diameter); 2 handles; 5 M10 threaded sockets (2 top, 2 bottom, 1 pullback)
<b>Dimensions (H x W x D):</b>	25.5" x 15.1" x 14.4" (648 mm x 384 mm x 365 mm)
<b>Weight (speaker only):</b>	36.2 lbs. (16.4 kg)

## **SPECIFICATIONS**

### **FCC ID: Y40-TS112W**

THIS DEVICE COMPLIES WITH PART 15 OF THE FCC RULES. OPERATION IS SUBJECT TO THE FOLLOWING TWO CONDITIONS: (1) THIS DEVICE MAY NOT CAUSE HARMFUL INTERFERENCE, AND (2) THIS DEVICE MUST ACCEPT ANY INTERFERENCE RECEIVED, INCLUDING INTERFERENCE THAT MAY CAUSE UNDESIRE OPERATION.

SHIELDED CABLES MUST BE USED WITH THIS UNIT TO ENSURE COMPLIANCE WITH THE CLASS B FCC LIMITS.

Inrush current at initial switch-on: 4.76 A

Inrush current after power supply interruption: 4.64 A

Warning: Changes or modifications to this unit not expressly approved by the party responsible for compliance could void the user authority to operate the equipment.

NOTE: This equipment has been tested and found to comply with the limits for a Class B digital device, pursuant to Part 15 of the FCC Rules. These limits are designed to provide reasonable protection against harmful interference in a residential installation. This equipment generates, uses and can radiate radio frequency energy and, if not installed and used in accordance with the instructions, may cause harmful interference to radio communications.

However, there is no guarantee that interference will not occur in a particular installation. If this equipment does cause harmful interference to radio or television reception, which can be determined by turning the equipment off and on, the user is encouraged to try to correct the interference by one or more of the following measures:

- o Reorient or relocate the receiving antenna.
- o Increase the separation between the equipment and receiver.
- o Connect the equipment into an outlet on a circuit different from that to which the receiver is needed.
- o Consult the dealer or an experienced radio/TV technician for help.

**Bluetooth PIN #: 0000**

**[www.altoprofessional.com](http://www.altoprofessional.com)**