

Bluetooth Headset

USER'S MANUAL



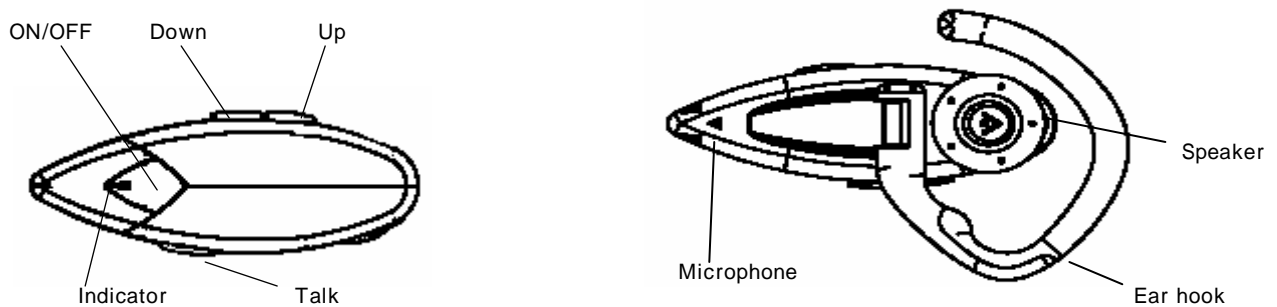
INSUNG ELECTRONICS Co., Ltd.

1. INTRODUCTION

Bluetooth Headset (HS920) is a wireless headset using Bluetooth technology. Bluetooth Headset (HS920) provides audio connectivity to other Bluetooth devices such as mobile phones, PDAs, and PCs. This is compatible with any Bluetooth Audio gateway.

Before using, read this manual.

Controls & Functions



| | | |
|------------|---|--|
| ON/OFF | : | Power on/off |
| Down | : | Decrease volume |
| Up | : | Increase volume |
| Talk | : | Starting & ending a call |
| Indicator | : | indicate every operation condition |
| Speaker | : | |
| Microphone | : | |
| Ear hook | : | Ear hook can switch from left to right & vice versa. To switch, separate ear hook from body and insert it to opposite direction. |

Components List

- Headset
- AC/DC Adapter
- User Manual

2. Operation

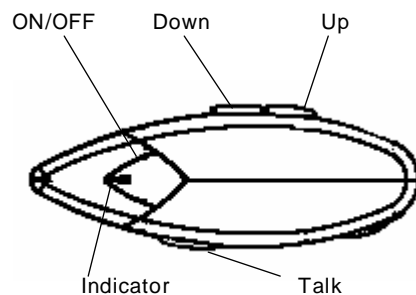
1. Pairing the Headset

Before the Headset communicate, it must be paired to the companion device it will be used with, such as a mobile phone. This is to ensure the Headset only communicates with the device chosen by the user and not any other Bluetooth devices in range. Pairing is needed only once when first operation and changing devices such as Headset, mobile phone, or audio gateway.

Pairing : The condition that communication can be made between Headset and other devices such as Headset, mobile phone, or audio gateway

Before pairing, reset Headset firstly.

Step1. Press and hold the 'ON/OFF' button for 3 seconds. With a sound, Green LED flashes 5 times and continuously press for 4 seconds until Red and Green LED flashing.



Step2. For 60 seconds, Headset searches Bluetooth device for pairing

Now pair Headset with mobile phone.

Step3. Find Bluetooth device at mobile phone

Step4. Add Headset to your mobile phone list

Log in 0000 as secrete number

* Use mobile phone's manual for mobile phone pairing

2. Making Calls

Pressing TALK button, you can make a call.

Step1. Headset must be 'Power ON' condition after headset is paired with other Bluetooth device.

- * Refer to a previous page for detail information of pairing
- * 'Power ON' condition : Green LED blinking every 3 second.

Step2. To make a call, put the number you want to call in mobile phone and press TALK button in headset. If you just press TALK button in headset, you will be connected to last calling.

Step3. After finishing a call, pressing TALK button will end a call.

3. Answering Calls

Pressing TALK button, then you can receive a call.

Step1. Headset must be 'Power ON' condition after headset is paired with other Bluetooth device.

- * Refer to a previous page for detail information of pairing
- * 'Power ON' condition : Green LED blinking every 3 second.

Step2. If a phone is ringing, press TALK button once. After hearing connecting sound, you can talk using headset.

Step3. After finishing a call, pressing TALK button will end a call.

4. Adjusting the Volume

During a call, volume can be adjusted by UP, DOWN button.

- Up : Increase volume.
- Down : Decrease volume

3. When use by Hands - Free

Bluetooth Headset(HS920) provides Hands-Free Profile when Bluetooth mobile phone is connected to Hands-Free. How to do pairing is same with Headset.

| Operation Property when connected with Hands-Free | | | | | | |
|---|---------------------|-------------------------|----------------------------|------------|----------------------------|----------------------------|
| | Talk | | ON/OFF | | UP | Down |
| Current situation | Short Press | Long Press | Short Press | Long Press | Short Press | Long Press |
| OFF | - | - | - | Power On | - | - |
| On Standby | Initiate voice dial | Redial recent number | - | Power Off | Adjust volume step by step | Adjust volume continuously |
| On adjusting voice dial | Cancel voice dial | | | Power Off | | |
| Ringing | Answering | Cancel a call | | Power Off | - | - |
| On Calling with headset | Ending a call | Connecting with a phone | Mute | Power Off | Adjust volume continuously | Adjust volume continuously |
| When other call is on standby | Ending a call | Connecting with a phone | Connecting to standby call | Power Off | Adjust volume continuously | Adjust volume continuously |

4. Charging

Bluetooth Headset(HS920) has Li-Polymer battery inside.

Full charging gives 240 hours standby or maximum 7 hours of continuous talking condition.

Before using headset at first time, charge a battery fully.

Charging time is about 2 hours from discharged to fully charged.

For the state-of-the-art Li-Polymer battery of Bluetooth Headset (HS – 920), battery's life is not affected by charging a battery from not fully discharged.

Step1. Connect AC/DC adapter to DC jack of Headset

Step2. At indicator of Headset, red light is on

Step3. Charging is completed when red LED is off

Battery using time

| | Standby | Continuous talking |
|-----------------|----------|--------------------|
| Headset(HS-920) | 240Hours | Maximum 7hours |

Battery charging time & Indication condition

| | Charging time | Indicator condition |
|-----------------|---------------|---|
| Headset(HS-920) | 2hours | On charging : red After charging : light off |

5. Troubleshooting

Refer to following indication when abnormal situation occurs

1. Can not do pairing
reset Headset and do pairing again.
2. Sound is too loud or too small.
After connecting, ensure a mobile phone's volume and use UP/DOWN button for proper volume.
3. Pressing TALK button don't make a call.
Check discharge and pairing.

CAUTION

Do not make unapproved separation or changes. This may be dangerous. Our company does not take responsibility of A/S for unapproved separation or changes.

Do not put Headset near fire.

Do not separate or turn a Headset Ear Hook with excessive force. It may destroy Headset Ear Hook

Strong impact or dropping of Headset can make it out of order or it's life short

In case of reusing after no use for long time, it can be better to use after charging fully

When no use, turn Headset off

FCC ID: SE4HS920

THIS DEVICE COMPLIES WITH PART 15 OF THE FCC RULES.

Operation is subject to the following two conditions; (1) this device may not cause harmful interference, and (2) this device must accept any interference received, including interference that may cause undesired operation.

CAUTION: Changes or modifications not expressly approved by the party responsible for compliance could void the user's authority to operate the equipment.



INSUNG ELECTRONICS Co., Ltd.

421, WONCHON-DONG, YOUNGTONG-GU,
SUWON-CITY, KYUNGKI-Do, KOREA, 442-823

TEL: 82-31-273-1416~7, FAX: 82-31-273-1418