

ION[®]

***SURVIVAL* SCOUT**

| | |
|-----------------------------------|------------------------|
| Quickstart Guide | English (2 – 9) |
| Guía de inicio rápido | Español (10 – 17) |
| Guide d'utilisation rapide | Français (18 – 25) |
| Guida rapida | Italiano (26 – 33) |
| Schnellstart-Anleitung | Deutsch (34 – 41) |
| Snelstartgids | Nederlands (42 – 49) |
| Appendix | English (51) |

Quickstart Guide (English)

Introduction

Box Contents

| | |
|----------------------------------|--------------------------|
| Survival Scout | Quickstart Guide |
| Power Adapter | Safety & Warranty Manual |
| 1/8" (3.5 mm) Stereo Audio Cable | |

Support

For the latest information about this product (system requirements, compatibility information, etc.) and product registration, visit ionaudio.com.

For additional product support, visit ionaudio.com/support.

Rechargeable Batteries

Rechargeable lead-acid batteries are the same type used in automobiles. As with your car battery, how you use this battery has a significant impact on its lifespan. With proper use and treatment, a lead-acid battery can last for years. Here are some recommendations for getting the longest life from the internal battery.

General Usage Fully charge the battery before using the loudspeaker.
Charge the battery completely after each use.

Storage For best product longevity, do not store at exceedingly hot (greater than 90 °F / 32 °C) or exceedingly cold (less than 32 °F / 0 °C) temperatures.
It is acceptable to leave your loudspeaker plugged in. This will not overcharge the battery.
If you leave the battery level low and do not charge it for 6 months, the battery may permanently lose capacity.

Repair If the battery fails to charge, contact ION Audio at ionaudio.com.

Disposal Bring the unit to a recycling center or dispose of in accordance with local ordinances.



Important! **Extension Cord Warnings:**

- Keep all electrical cords in good condition. Do not use worn, bare, or frayed cords, which can cause electrical shock when Survival Scout is connected to wall power.
- If you must use an extension cord, use only grounded extension cords that are rated for outdoor use and equipment with a third-wire ground.
- Avoid using excessively long extension cords, which can cause voltage drops, causing the cord to overheat.
- When using long extension cords with Survival Scout, use a heavier cord with a larger wire size to reduce the voltage drop (the longer or thinner the cord, the greater the voltage drop).

Outdoor Use and Care

Though Survival Scout is water-resistant and able to tolerate splashing water, please review the tips below to get the best performance from Survival Scout:

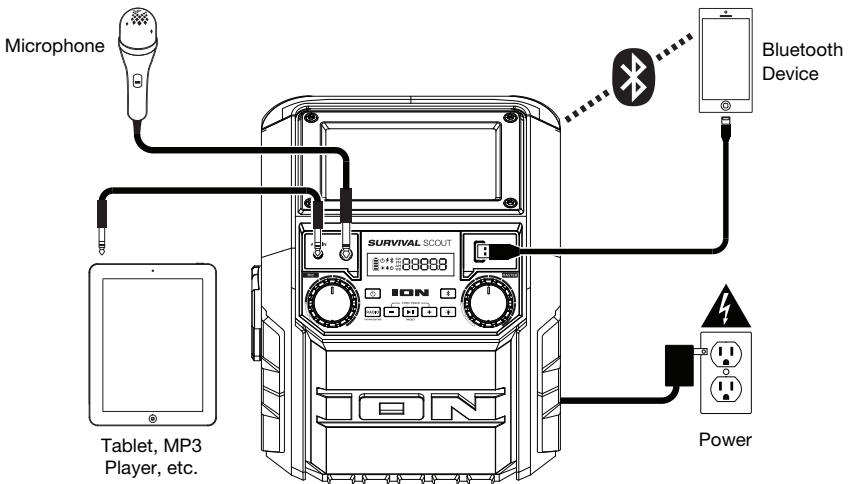
- Survival Scout must **only** be used outdoors with power outlets or extension cords that are rated for outdoor use.
- Bring Survival Scout indoors during extreme weather.
- Please do not place Survival Scout in standing water.
- Please do not connect the power adapter to Survival Scout in a wet environment. Make sure the power input, power adapter, and power outlet are all completely dry before making any connections.
- **WARNING:** Keep any non-water-resistant devices (phones, music players, etc.) in a dry place where they will not be affected by water and cause a risk of electric shock.

Quick Setup

1. Make sure all items listed in the [Box Contents](#) at the beginning of this guide are included in the box.
2. Read the *Safety & Warranty Manual* before using the product.
3. Make sure that you have completely charged the battery prior to first use for maximum battery life.
4. Turn down the volume on the Survival Scout.
5. Power on Survival Scout.
6. Connect your music player with an audio cable or Bluetooth (see [Connecting with a Bluetooth Device](#) for more details on this).
7. Adjust the volume on the music player and on Survival Scout as needed.
8. Turn off Survival Scout when not in use.

Connection Diagram

Items not listed under [Introduction > Box Contents](#) are sold separately.

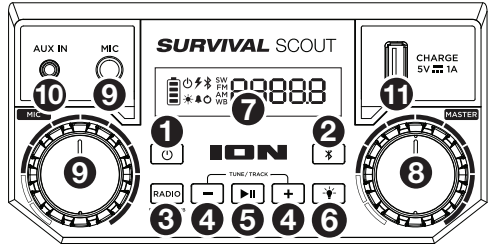


Features

- Power Button:** Turns Survival Scout on or off. Please note that while Survival Scout is connected to a power source, it does not need to be powered on to charge the battery. When the power is on, the display will show the **Power Indicator**.
- Bluetooth Button:** Press the Bluetooth button to disconnect a paired Bluetooth device and enter pairing mode to connect to another Bluetooth device.
- Radio Selector:** This button sets the Radio to FM, AM, Shortwave (SW), or Weather Band (WB), or turns the radio off.
- Tune/Track Buttons (-/+):** Tap these buttons to tune in a radio station or go to the previous/next track on a Bluetooth connected device. To “seek” (jump to the next available station), hold either button down for a few seconds until it starts to seek a station. The unit will remember the last station it was on and start at that station when powered off and on again.
- Play/Pause/Preset:** Press to play or pause a track from a connected Bluetooth device. In Radio Mode, press and release this button to select a previously saved preset station. See the section [Using the Radio](#) for more details on saving and recalling presets.
- Light Mode Button:** Press this button to adjust the brightness settings for the lights: **LED high**, **LED low**, and **off**.
- Display:** Displays the current radio station, battery status, and Bluetooth status. See [Display](#) for more information.
- Master Volume Control:** This adjusts the speaker’s main mix volume, which includes the Microphone Input, Auxiliary Input, Radio, and the audio of a paired Bluetooth device.
- Microphone Input with Volume Control (1/4”):** Connect a 1/4” (6.35 mm) microphone to this input.
- Auxiliary Input:** This stereo 1/8” (3.5 mm) input can be used to connect a CD player, MP3 player, or other audio source.
- USB Charging Port:** Connect your device’s charge cable here to charge it. USB charging only functions when the unit’s power is turned on.

Note: To charge smartphones and tablets faster, put the device’s screen to sleep.
- Solar Panel (top panel):** Place Survival Scout in sunlight to charge the battery using the solar panel. See [Charging > Solar Panel](#) for more information.

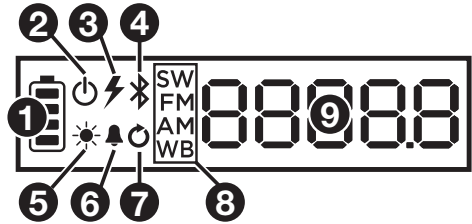
Note: The rate of charging depends on the amount of sunlight the solar panel receives. The unit will charge slower when receiving indirect sunlight. Place Survival Scout in direct sunlight for best results.
- Hand Crank (side panel):** Turn this crank to charge Survival Scout. See [Charging > Hand Crank](#) for more information.
- NFC (Near-Field Communication) (side panel):** Touch and briefly hold your supported and enabled device to the NFC logo to pair the device. See [Pairing a Bluetooth Device Using NFC](#) for more information.
- Power Adapter Input (rear panel):** Insert the included power adapter here to charge the unit. The **Lightning Bolt icon** illuminates when the power adapter is connected. Please note that when the power adapter is connected, the battery will still charge while the unit is in use.



Display

1. **Battery Level Indicator:** When the power adapter is connected, movement of the battery segments shows the battery is charging. When fully charged, all battery segments will be lit without blinking. When the power adapter is disconnected, the battery segment shows the level of the battery.

If a front panel button is not pressed within 60 seconds, the battery level indicator will turn off (to save energy). The battery level indicator will reappear when any button is pressed. Also, when the battery gets to the lowest battery icon segment, the battery level indicator will turn back on.



2. **Power Icon:** The power icon will be lit when Survival Scout is powered on. The power icon will not be lit when Survival Scout is powered off.
3. **Lightning Bolt Icon:** The lightning bolt icon will illuminate when the power adapter is connected to power.
4. **Bluetooth Icon:** The Bluetooth icon will not be lit when Survival Scout is first powered on (unless it was previously paired with a device). The Bluetooth icon will be lit solid when a device is paired to Survival Scout.
5. **Solar Icon:** When the solar panel is receiving enough sunlight to activate charging, the solar icon will illuminate.

Note: The Solar Icon only appears when the unit is powered on. However, the unit will still charge when powered off.

6. **Weather Alert Icon:** The weather alert icon will illuminate when the radio is in Alert Mode. See [Using the Radio > Weather Band Radio](#) for more information.
7. **Hand Crank Icon:** The hand crank icon will illuminate while the **Hand Crank** is turning, indicating that the unit is being charged.

Note: The Hand Crank Icon only appears when the unit is powered on. However, the unit will still charge when powered off.

8. **FM/AM/SW/WB:** These icons indicate the current radio band in use.
9. **Radio Frequency Indicator:** Displays the current radio frequency.

Operation

Connecting with a Bluetooth Device

1. Turn on your Bluetooth device.
2. Turn on Survival Scout using the **Power** button. If you have previously connected to another Bluetooth device, Survival Scout will reconnect.
3. Navigate to your Bluetooth device's setup screen, find **Survival Scout** and connect.

Note: If your device requires a passcode or PIN, enter **0000**.

4. The **Bluetooth Icon** will light up solid when it is "paired."

If your Bluetooth device is not able to connect to Survival Scout, press the **Bluetooth** button on Survival Scout to break previous Bluetooth connections and reset the Bluetooth module.

5. Start playback from your Bluetooth device.
6. To disconnect a connected Bluetooth device and connect to another Bluetooth device, press the **Bluetooth** button. Repeat Step 3.

Note: If you experience trouble connecting or playing music, update your device's OS.

Pairing a Bluetooth Device Using NFC

NFC (near-field communication) allows data exchange from devices, such as pairing, by gently bumping them together. Check in your device's manual to see if this feature is supported.

To use NFC to pair with Survival Scout:

1. In order to use NFC, your device must be turned on and unlocked.
2. Enter your device's **Settings** menu and check that **NFC** is turned **On** (one-time step).
3. Power on Survival Scout.
4. Touch and briefly hold your device to the NFC logo located on Survival Scout's side panel.
5. Follow the pairing instructions that appear on your phone. If a passcode is required, enter "**0000**".
6. To unpair, gently bump your device against the NFC logo.

Using the Aux Input

Connect your smartphone, MP3 player, or similar device to the **Aux Input**. Adjust the output volume on your source device and then adjust the overall volume using the **Master Volume Control** on Survival Scout.

Using the Radio

1. Turn the radio on using the **Radio Selector** button to select FM, AM, Shortwave (SW), or Weather Band (WB). An indicator in the display will light to show the currently selected radio band.
2. Use the **Tune/Track** buttons to search for a radio station. To "seek" (jump to the next clear station), hold a Tune button down for a few seconds until it starts to seek a station. The unit will remember the last station you were on and start at that station when you power off and power on again.

To save a preset:

1. Press the **Radio Selector** button to choose FM, AM, or SW and select a radio station that you want to save to a preset location using the **Tune/Track** buttons.
2. Press and hold **Play/Pause** for 3 seconds. A preset number will appear on the screen.
3. Use the **Tune/Track** buttons to select which preset you want to save it to.
4. Press **Play/Pause** to confirm. "SAVE" will appear on the screen.

To select a preset:

While the radio is on, press **Play/Pause** to cycle through the saved presets.

Weather Band Radio

The Weather Band receives continuous local weather reports issued by the national weather service in your region. Additionally, these channels receive alert messages for hazardous weather watches and warnings, as well as civil emergencies, public safety announcements, and other advisories.

To set Alert Mode:

1. Turn the radio on using the **Radio Selector** button and select Weather Band (WB).
2. Use the **Tune/Track** buttons to select the Weather Band channel for your area. The available Weather Band channels are as follows:

| Channel | 1 | 2 | 3 | 4 | 5 | 6 | 7 |
|--------------------|---------|---------|---------|---------|---------|---------|---------|
| Frequency (in MHz) | 162.400 | 162.425 | 162.450 | 162.475 | 162.500 | 162.525 | 162.550 |

Note: For links to help you find the correct frequency to use for receiving your local weather reports and alerts, visit the Survival Scout product page at ionaudio.com.

3. Press and hold the **Radio Selector** button for 3 seconds.
4. The **Weather Alert Icon** will appear in the display to indicate alert mode is active. The display will also enter a dim state. If an alert for your area is received, Survival Scout will turn on and begin broadcasting it automatically.

Note: If possible, it is recommended to keep Survival Scout powered by the power adapter when using Alert Mode.

Charging

Solar Panel

To use the solar panel to charge Survival Scout, place the loudspeaker in direct sunlight for best results. It can take up to 40 hours to fully recharge the battery using the solar panel.

When Survival Scout is powered on and the solar panel is receiving enough sunlight to activate charging, the **Solar Icon** will illuminate. When Survival Scout is powered off, the Solar Icon will not illuminate, but the unit will still charge.

Hand Crank

To use the hand crank to charge Survival Scout:

1. Lift the handle up and out from the side of Survival Scout.
2. Hold Survival Scout steady with one hand, and grip the handle of the hand crank with the other.
3. Rotate the handle at a steady pace, about two revolutions per second.
4. When Survival Scout is powered on and the hand crank is providing a charge to Survival Scout, the **Hand Crank Icon** will light. When Survival Scout is powered off, the Hand Crank Icon will not illuminate, but the unit will still charge.

Using the hand crank to charge Survival Scout for 10 minutes yields 1% of battery life. It can take up to 16 hours to fully recharge the battery using the hand crank.

You can use the hand crank to charge the battery at the same time as Solar Panel charging. It can take up to 11 hours to fully recharge the battery using the hand crank and solar panel at the same time.

Power Outlet

To charge Survival Scout using a standard power outlet, insert the included **power adapter** (15 VDC, 2.8 A, center-positive) into the **power adapter input** and connect it to a power outlet. It can take up to 5.5 hours to fully recharge the battery using the power adapter.

When Survival Scout is powered on and connected to power, the **Lightning Bolt Icon** will illuminate. The movement of the **Battery Level Indicator** will show the battery is charging.

Troubleshooting

If the sound is distorted: Try lowering the volume control of your sound source or musical instrument. Also, try to reduce the overall volume of Survival Scout.

If there is too much bass: Try adjusting the tone or EQ control on your sound source to lower the bass level. This will allow you to play the music louder before clipping (distortion) occurs.

If there is poor AM reception: When you have a Bluetooth device that is connected, disconnect your Bluetooth device in order to listen to AM radio. To adjust AM reception, move the entire unit.

If you can't hear the microphone over the music volume: Turn down the music volume from your source.

If there is a high-pitched whistling noise when using a microphone: This is probably feedback. Point the microphone away from the speaker.

If you can't play music from a flash drive: The USB port is only for charging USB devices.

If the unit is not charging: Make sure the power adapter is properly connected to the power input and the power outlet. If you are using the solar panel for charging, make sure the unit is receiving direct sunlight and the **Solar Icon** is lit. If you are using the hand crank for charging, make sure the **Hand Crank icon** is lit.

Guía de inicio rápido (Español)

Introducción

Contenido de la caja

| | |
|----------------------------------------------|--------------------------------------|
| Survival Scout | Guía de inicio rápido |
| Adaptador de alimentación | Manual sobre la seguridad y garantía |
| Cable auxiliar estéreo de 3,5 mm (1/8 pulg.) | |

Soporte

Para obtener la información más completa acerca de este product (los requisitos del sistema, compatibilidad, etc) y registro del producto, visite ionaudio.com.

Para obtener soporte adicional del producto, visite ionaudio.com/support.

Baterías recargables

Las baterías de plomo-ácido recargables son del mismo tipo que se usa en los automóviles. Al igual que con la batería del vehículo, la forma en que se usa tiene una influencia significativa en la duración de su vida útil. Con un uso y tratamiento correctos, una batería de plomo-ácido puede durar varios años. He aquí algunas recomendaciones para prolongar la vida útil de la batería interna.

| | |
|--------------------------|------------------------------------------------------------------------------------------------------------------------------------------------------------------------------------------------------------------------------------------------------------------------------------------------------------------------------------------------------------------|
| Uso general | Cargue completamente la batería antes de usarla. Cargue la batería completamente después de cada uso. |
| Almacenamiento | Para lograr la mayor longevidad del producto, no lo almacene a temperaturas muy altas (superiores 32 °C / 90 °F) o muy frías (inferiores a 0 °C / 32 °F). Es aceptable dejar su sistema de sonido enchufado. No sobrecargará la batería. Si deja que el nivel de la batería baje y no la carga durante 6 meses, puede perder permanentemente su capacidad. |
| Reparación | Si la batería no se carga, póngase en contacto con ION Audio en ionaudio.com . |
| Disposición final | Lleve la unidad a un centro de reciclaje o deséchela de acuerdo a las ordenanzas locales. |



¡Importante!

Advertencias sobre los cables de prolongación:

- Mantenga todos los cables eléctricos en buen estado. No use cables desgastados, pelados o deshilachados, que puedan causar descargas eléctricas cuando el Survival Scout está conectado al tomacorriente de la pared.
- Si debe usar un cable de prolongación, utilice sólo cables que estén especificados para uso en exteriores y equipos con puesta a tierra para un tercer conductor.
- Evite usar cables de prolongación excesivamente largos, que puedan causar caídas de voltaje y por consiguiente el recalentamiento del cable.
- Cuando use cables de prolongación largos con el Survival Scout, utilice un cable de mayor capacidad con conductores de tamaño más grande a fin de reducir la caída de voltaje (cuanto más largo o más delgado sea el cable, mayor es la caída de tensión).

Uso y cuidado a la intemperie

Aunque el Survival Scout es resistente al agua y capaz de tolerar salpicaduras, lea las sugerencias que se incluyen a continuación para obtener el mejor rendimiento del Survival Scout:

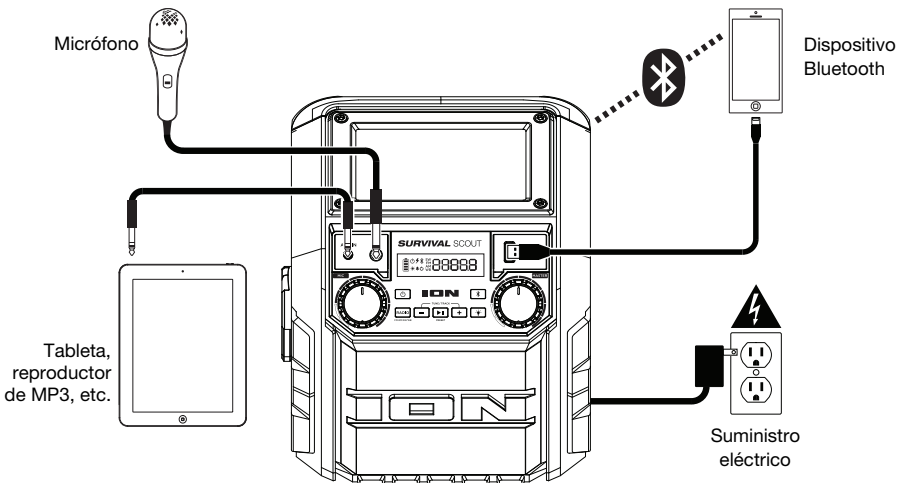
- El Survival Scout sólo puede usarse en exteriores con tomas de corriente o cables de prolongación aptos para el uso en exteriores.
- Traiga a los Survival Scout bajo techo durante condiciones meteorológicas extremas.
- No coloque el Survival Scout sobre agua estancada.
- No conecte el cable de alimentación al Survival Scout en un ambiente húmedo. Asegúrese de que la entrada para la entrada de alimentación, el cable de alimentación y la toma de corriente estén completamente secos antes de realizar cualquier conexión.
- **ADVERTENCIA:** Coloque los dispositivos no resistentes al agua (teléfonos, reproductores de música, etc.) en un lugar seco donde no sean afectados por el agua y causen un riesgo de electrocución.

Instalación rápida

1. Asegúrese que todos los artículos incluidos en [Contenido de la caja](#), al comienzo de esta guía, estén incluidos en la caja.
2. Lea el *manual sobre la seguridad y garantía* antes de utilizar el producto.
3. Para asegurar una máxima vida útil de la batería, cárguela completamente antes de usarla por primera vez.
4. Baje el volumen en el Survival Scout.
5. Conecte su reproductor de música con un cable de audio o Bluetooth (para obtener más detalles de esto, consulte [Conexión con un dispositivo Bluetooth](#)).
6. Ajuste el volumen en su reproductor musical y en el Survival Scout según sea necesario.
7. Apague el Survival Scout cuando no lo use.

Diagrama de conexión

Los elementos que no se enumeran en [Introducción > Contenido de la caja](#) se venden por separado.

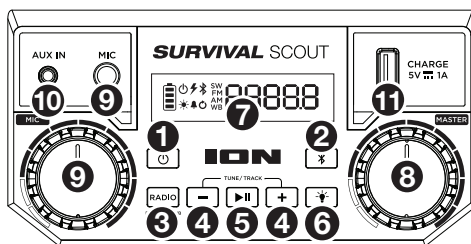


Características

- Botón de encendido:** Enciende y apaga el Survival Scout. Tenga en cuenta que mientras el Survival Scout está conectado a un suministro eléctrico, no es necesario encenderlo para que cargue la batería. Cuando el altavoz está encendido, la pantalla mostrará el indicador de encendido.
- Botón de Bluetooth:** Pulse el botón Bluetooth para desconectar un dispositivo Bluetooth apareado e ingresar al modo de apareamiento para conectar otro dispositivo Bluetooth.
- Selector de radio:** Este botón ajusta la radio en FM, AM, onda corta (SW), banda del clima (WB) o apaga la radio.
- Botones de sintonizador/pista:** Toque ligeramente estos botones para sintonizar una emisora de radio o pasar a la pista anterior/siguiente de un dispositivo Bluetooth conectado. Para "buscar" (pase a la siguiente emisora con buena señal), mantenga pulsado cualquier botón durante unos segundos hasta que empieza a buscar la emisora. La unidad recuerda la última emisora que estaba sintonizada y comienza en esa emisora cuando la apaga y enciende nuevamente.
- Reproducir/Pausa/Preset:** Pulse para reproducir o hacer pausa en una pista de un dispositivo Bluetooth conectado. En modo de radio, Pulse y suelte este botón para seleccionar una emisora preprogramada guardada previamente. Consulte la sección [Cómo usar la radio](#) para obtener más detalles sobre cómo guardar y recuperar presets.
- Botón de modo de luz:** Pulse este botón para configurar los ajustes de brillo de las luces: **LED intenso, LED tenue y apagado**.
- Pantalla:** Muestra la emisora de radio actual, el estado de la batería, el estado del Bluetooth y el estado del enlace. Consulte la sección [Pantalla](#) para más información.
- Control de volumen maestro:** Este control ajusta el volumen de la mezcla principal del altavoz, que incluye la entrada de micrófono, la entrada auxiliar, el sintonizador y el audio de un dispositivo Bluetooth apareado.
- Entrada micrófono con control de volumen (6,35 mm):** Conecte un micrófono de 6,35 mm (1/4 pulg.) a esta entrada.
- Entrada auxiliar:** Esta entrada de 3,5 mm (1/8 pulg.) estéreo se puede usar para conectar un reproductor de CD, MP3 u otra fuente de audio.
- USB estación:** Conecte aquí el cable de carga de su dispositivo para cargarlo. La carga por USB funciona solamente cuando la unidad está encendida.

Nota: Para cargar sus teléfonos inteligentes (smartphones) y tabletas más rápido, ponga la pantalla de su dispositivo en estado de reposo.
- Panel solar (parte superior):** Coloque el Survival Scout al sol para cargar su batería a través del panel solar. Consulte [Carga > Panel solar](#) para obtener más información.

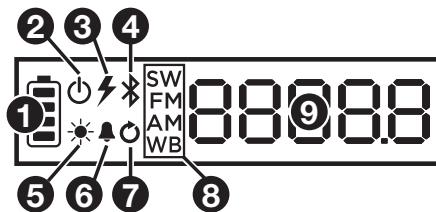
Nota: La velocidad de carga depende de la cantidad de luz que recibe el panel solar. La unidad se carga más lentamente si recibe luz solar indirecta. Coloque el Survival Scout bajo luz solar directa para obtener mejores resultados.
- Manivela de carga manual (panel lateral):** Gire esta manivela para cargar el Survival Scout. Consulte [Carga > Manivela de carga manual](#) para obtener más información.



14. **NFC** (comunicación de campo cercano) (panel lateral): Toque y acerque brevemente su dispositivo habilitado y soportado al logo de NFC para aparearlo. Consulte la sección [Cómo aparear un dispositivo Bluetooth usando NFC](#) para más información.
15. **Entrada del adaptador de corriente** (panel trasero): Inserte aquí el adaptador de alimentación incluido para cargar la unidad. El **icono del relámpago** se ilumina cuando el adaptador de alimentación está conectado. Tenga en cuenta que cuando el adaptador de alimentación se encuentra conectado, la batería seguirá cargándose mientras la unidad esté en uso.

Pantalla

1. **Indicador de carga:** Con el indicador de carga de la batería, cuando el adaptador de alimentación está conectado, el movimiento de los segmentos de la batería muestra que se está cargando. Una vez completamente cargada, todos los segmentos de la batería estarán encendidos sin parpadear. Cuando se desconecta el adaptador de alimentación, el segmento de la batería muestra en nivel de la misma.



Si no se pulsa ningún botón del panel delantero en los siguientes 60 segundos, el indicador de nivel de batería se apagará (para ahorrar energía). El indicador de nivel de la batería volverá a aparecer cuando se pulse algún botón. Además, cuando la batería llegue al segmento más bajo del icono de la batería, el indicador de nivel de la batería volverá a encenderse.

2. **Indicador de encendido:** El indicador de encendido se encenderá cuando el Survival Scout se encienda. Este indicador de encendido no se encenderá cuando Survival Scout está apagado.
3. **Icono del relámpago:** El icono del relámpago se encenderá cuando el adaptador de alimentación esté conectado a una toma de corriente de pared.
4. **Icono de Bluetooth:** Este icono de Bluetooth no se enciende cuando el Survival Scout se enciende por primera vez (a menos que hubiera sido apareado previamente con un dispositivo). El icono de Bluetooth se enciende con luz azul continua cuando hay un dispositivo apareado al Survival Scout.
5. **Icono solar:** Cuando el panel solar esté recibiendo suficiente luz solar para activar la carga, el icono solar se encenderá.

Nota: El icono solar se enciende solamente cuando la unidad está encendida. Sin embargo, la unidad se seguirá cargando aun estando apagada.

6. **Icono de alerta del clima:** El icono de alerta del clima se encenderá cuando la radio esté en modo alerta. Consulte [Cómo usar la radio > Radio de la banda del clima](#) para obtener más información.
7. **Icono de carga manual:** El icono de carga manual se iluminará cuando se esté girando la **manivela de carga manual**, para indicar que se está cargando la unidad.

Nota: El icono de carga manual aparece solamente cuando la unidad está encendida. Sin embargo, la unidad se seguirá cargando aun estando apagada.

8. **FM/AM/SW/WB:** Estos iconos indican que la banda de radio actual está en uso.
9. **Indicador de frecuencias de radio:** Muestra la frecuencia de radio actual.

Funcionamiento

Conexión con un dispositivo Bluetooth

1. Encienda su dispositivo Bluetooth.
2. Encienda el Survival Scout usando el **botón de encendido**. Si ya lo había conectado a otro dispositivo Bluetooth previamente, el Survival Scout se reconectará.
3. Navegue a la pantalla de configuración de su dispositivo Bluetooth, busque **Survival Scout** y conecte.

Nota: Si su dispositivo requiere un código de contraseña o PIN, ingrese **0000**.

4. Cuando está "conectado", el **icono de Bluetooth** esté encendido permanentemente.

Si su dispositivo Bluetooth no es capaz de conectarse al Survival Scout, pulse el **botón Bluetooth** del Survival Scout para cortar las conexiones con Bluetooth anteriores y reinicie el módulo Bluetooth.

5. Comience la reproducción desde su dispositivo Bluetooth.
6. Para desconectar un dispositivo Bluetooth conectado y conectarse a otro dispositivo Bluetooth, pulse el botón Bluetooth y repita el paso 3.

Nota: Si tiene problemas para conectarse o reproducir música, actualice el programa operativo de su dispositivo.

Cómo aparear un dispositivo Bluetooth usando NFC

La tecnología NFC (comunicación de campo cercano) permite el intercambio de datos entre dispositivos, tal como el apareamiento, juntándolos suavemente. Compruebe en el manual de su dispositivo si se soporta esta característica.

Para usar NFC a fin de aparear con Survival Scout:

1. A fin de usar NFC, su dispositivo debe estar encendido y desbloqueado.
2. Abra el menú **Settings** (Configuración) de su dispositivo y verifique que **NFC** esté **On** (Activado) (este paso solo se realiza una vez).
3. Encienda el Survival Scout.
4. Toque y acerque brevemente su dispositivo del logo de NFC ubicado en el panel lateral del Survival Scout.
5. Siga las instrucciones de apareamiento que aparecen en su teléfono. Si se requiere una contraseña, ingrese **0000**.
6. Para desaparecer, toque suavemente con su dispositivo el logo de NFC.

Cómo usar la entrada auxiliar

Conecte su iPod, iPod Touch, iPhone, reproductor de smartphone, reproductor MP3 o dispositivo similar a la entrada auxiliar. Ajuste el volumen de entrada en su dispositivo fuente y luego ajustar el volumen general mediante el **control de volumen maestro** del Survival Scout.

Cómo usar la radio

1. Encienda la radio utilizando el botón **selector de radio** para seleccionar FM, AM, onda corta (SW) o la banda del clima (WB). Se encenderá un indicador en la pantalla para mostrar la banda de radio actualmente seleccionada.
2. Use los **botones de sintonizador/pista** (-/+) para buscar las emisoras de radio. Para "explorar" (saltar a la siguiente emisora disponible), mantenga pulsado un botón Tune unos segundos hasta que empieza a buscar la emisora. La unidad recuerda la última emisora que estaba sintonizada y comienza en esa emisora cuando la apaga y enciende nuevamente.

Guardado de presets:

1. Pulse el botón **selector de radio** para seleccionar FM, AM, o SW y seleccionar una estación de radio que desee guardar en una ubicación de preset utilizando los **botones de sintonizador/pista**.
2. Mantenga pulsado **reproducción/pausa** durante 3 segundos. Aparecerá un número de preset en la pantalla.
3. Utilice los **botones de sintonizador/pista** para seleccionar el preset en el cual desea grabarla.
4. Pulse **reproducir/pausa** para confirmar. Aparecerá **"SAVE"** (guardar) en la pantalla.

Selección de presets:

Cuando la radio esté encendida, pulse **reproducción/pausa** para recorrer los presets guardados.

Radio de la banda del clima

A través de la banda del clima se reciben informes sobre el clima de forma continua emitidos por el servicio meteorológico nacional en su región. Adicionalmente, estos canales reciben mensajes de alerta sobre advertencias de clima peligroso, así como también emergencias civiles, anuncios de seguridad pública y demás consejos.

Cómo ajustar el modo de alerta:

1. Encienda la radio utilizando el botón **selector de radio** y seleccione la banda del clima (WB).
2. Utilice los botones **Tune/Track** para seleccionar el canal de la banda del clima para su área. Los canales disponibles para la banda del clima son los siguientes:

| Canal | 1 | 2 | 3 | 4 | 5 | 6 | 7 |
|----------------------------|---------|---------|---------|---------|---------|---------|---------|
| Frecuencia (en MHz) | 162,400 | 162,425 | 162,450 | 162,475 | 162,500 | 162,525 | 162,550 |

Nota: Para obtener enlaces que le ayuden a encontrar la frecuencia correcta a utilizar para recibir sus informes y alertas sobre el clima local, visite la página del producto e Survival Scout en ionaudio.com.

3. Mantenga pulsado el botón **selector de radio** durante 3 segundos.
4. El **icono de alerta del clima** aparecerá en la pantalla para indicar que el modo de alerta está activo. La pantalla también se atenuará. Si se recibe una alerta para su área, el Survival Scout se encenderá y comenzará a transmitirla de forma automática.

Nota: De ser posible, se recomienda mantener el Survival Scout alimentado mediante el adaptador de corriente cuando utilice el modo de alerta.

Carga

Panel solar

Para utilizar el panel solar para cargar el Survival Scout, coloque el altavoz bajo luz solar directa para obtener mejores resultados. Puede que le lleve hasta 40 horas al panel solar recargar la batería por completo.

Cuando el Survival Scout esté encendido y el panel solar esté recibiendo suficiente luz solar para activar la carga, el **icono solar** se encenderá. Cuando el Survival Scout esté apagado, el icono solar no se encenderá, pero la unidad seguirá cargándose.

Manivela de carga manual

Cómo usar la manivela de carga manual para cargar el Survival Scout:

1. Levante la manija de un costado del Survival Scout hacia arriba y hacia afuera.
2. Sostenga el Survival Scout firme con una mano y tome la manija de la manivela de carga con la otra.
3. Gire la manija de forma continua, aproximadamente a dos revoluciones por segundo.
4. Cuando el Survival Scout está encendido y la manivela de carga manual está cargando el Survival Scout, se encenderá el **icono de carga manual**. Cuando el Survival Scout esté apagado, el icono de carga manual no se encenderá, pero la unidad seguirá cargándose.

Utilizar la manivela de carga manual para cargar el Survival Scout durante 10 minutos genera un 1% de carga de la batería. Puede que le lleve hasta 16 horas recargar la batería por completo con la manivela de carga manual.

Puede utilizar la manivela de carga manual para cargar la batería al mismo tiempo que la carga con el panel solar. Puede que le lleve hasta 11 horas recargar la batería por completo utilizando tanto el panel solar como la manivela de carga manual al mismo tiempo.

Toma de corriente

Para cargar el Survival Scout utilizando una toma de corriente estándar, inserte el **adaptador de corriente** incluido (15 VCC, 2,8 A, centro positivo) en la **entrada del adaptador de corriente** y conéctelo a una toma de corriente. Puede que le lleve hasta 5,5 horas recargar la batería por completo utilizando el adaptador de corriente.

Cuando el Survival Scout esté encendido y conectado a una toma de corriente, se encenderá el **icono del relámpago**. El movimiento del **indicador de nivel de la batería** mostrará que la batería se está cargando.

Solución de problemas

Si el sonido está distorsionado: Pruebe bajando el control de volumen de su fuente de sonido o instrumento musical. Pruebe también reduciendo el volumen general del Survival Scout.

Si hay demasiados graves: Intente ajustando el control de tono o ecualización de su fuente de sonido para reducir el nivel de graves. De esta forma podrá reproducir la música con más volumen antes de que se produzca el recorte (distorsión).

Si hay recepción pobre de AM: Cuando tiene un dispositivo Bluetooth que está conectado, desconecte ese dispositivo Bluetooth a fin de escuchar la radio de AM. Para ajustar la recepción de AM, mueva la unidad completa.

Si no puede oír el micrófono por arriba del volumen de la música: Disminuya el volumen de la música en su fuente.

Si hay un silbido agudo cuando se usan micrófonos: Probablemente sea realimentación. Apunte el micrófono apartándolos del altavoz.

Si no logra reproducir música desde una unidad flash: El puerto USB sea solo para cargar dispositivos USB.

Si la unidad no se carga: Asegúrese de que el adaptador de corriente esté conectado correctamente a la entrada de corriente y a la toma de corriente. Si está utilizando el panel solar para cargar la unidad, asegúrese de que la unidad esté recibiendo luz solar directa y de que el **icono solar** esté encendido. Si está utilizando la manivela de carga manual para cargar la unidad, asegúrese de que el **icono de carga manual** esté encendido.

Guide d'utilisation rapide (Français)

Présentation

Contenu de la boîte

| | |
|--------------------------------|--------------------------------------------------------------|
| Survival Scout | Guide d'utilisation rapide |
| Adaptateur d'alimentation | Consignes de sécurité et informations concernant la garantie |
| Câble auxiliaire stéréo 3,5 mm | |

Assistance

Pour les dernières informations concernant ce produit (la configuration système minimale requise, la compatibilité, etc) et l'enregistrement du produit, veuillez visitez le site ionaudio.com.

Pour de l'assistance supplémentaire, veuillez visiter ionaudio.com/support.

Piles rechargeables

Les piles au plomb rechargeables sont du même type que les batteries utilisées dans les automobiles. Comme pour la batterie de votre automobile, la manière dont vous l'utilisez a un impact direct sur sa durée de vie. Cependant, avec une bonne utilisation la pile au plomb peut avoir une durée de vie de plusieurs années. Voici quelques recommandations pour prolonger au maximum la durée de vie de la pile interne.

Utilisation générale Chargez complètement la batterie avant de l'utiliser.
Rechargez la batterie complètement après chaque utilisation.

Entreposage Pour optimiser la longévité du produit, ne pas entreposer dans des températures extrêmement chaudes (supérieur à 32 °C / 90 °F) ou extrêmement froides (moins de 0 °C / 32 °F).

Il est acceptable de laisser votre système audio branché. Cela ne surchargera pas la batterie.

Si vous laissez le niveau de batterie s'affaiblir sans la recharger pendant 6 mois, elle risquerait de perdre sa capacité de charge de façon permanente.

Réparation Si la batterie ne parvient plus à se recharger, contactez ION Audio à ionaudio.com.

Élimination Apportez l'appareil dans un centre de recyclage ou disposez selon les règlements de votre municipalité.



Important !

Mise en garde concernant les câbles prolongateurs :

- Maintenez tous les câbles électriques en bon état. N'utilisez pas de câbles usés, nus ou effilochés, qui peuvent causer une décharge électrique lorsque le Survival Scout est branché à une prise secteur.
- Si vous devez utiliser un câble prolongateur, utilisez uniquement des câbles mis à la terre et qui sont conçus pour une utilisation extérieure et de l'équipement muni d'une fiche à 3 broches.
- Évitez d'utiliser des câbles prolongateurs excessivement longs, qui peuvent provoquer des chutes de tension et causer la surchauffe du câble.
- Lorsque vous utilisez un câble prolongateur avec le Survival Scout, utilisez un câble plus gros avec une plus grande taille de fil afin de réduire la chute de tension (plus le câble est long, ou le fil est petit, plus la chute de tension est grande).

Utilisation extérieure et entretien

Bien que le Survival Scout soit résistant à l'eau et tolère les éclaboussures, les conseils ci-dessous qui vous permettront de tirer le maximum de votre Survival Scout :

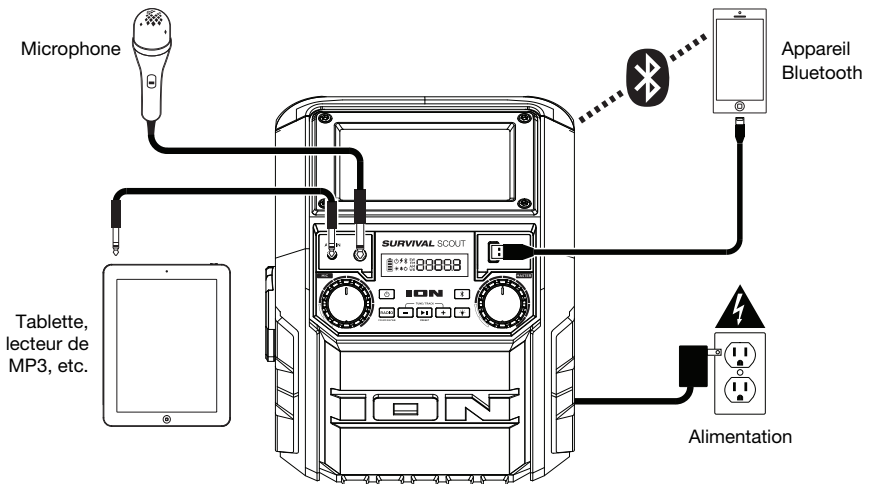
- L'enceinte Survival Scout doit être utilisée à l'extérieur uniquement avec une prise secteur ou un câble prolongateur qui sont conçus pour une utilisation extérieure.
- L'enceinte Survival Scout doit être rentrée à l'intérieur lors de conditions météorologiques extrêmes.
- Veuillez ne pas placer le Survival Scout dans l'eau stagnante.
- Veuillez ne pas utiliser le câble d'alimentation avec le Survival Scout lorsqu'il se trouve dans un environnement humide. Veuillez vous assurer que l'entrée d'alimentation, le câble d'alimentation et la prise secteur soient tous complètement secs avant d'effectuer tout raccordement.
- **MISE EN GARDE** : Gardez tout appareil non étanche (téléphones, lecteurs, etc.) dans un endroit sec à l'abri des éclaboussures et des risques de décharges électriques.

Démarrage rapide

1. Assurez-vous que tous les articles énumérés dans la section **Contenu de la boîte** au début de ce guide sont inclus dans la boîte.
2. Veuillez lire le livret des *consignes de sécurité* avant d'utiliser le produit.
3. Assurez-vous d'avoir complètement rechargé la pile avant la première utilisation afin d'augmenter sa durée de vie.
4. Mettez le bouton Volume du Survival Scout au plus bas.
5. Branchez votre lecteur de musique avec un câble audio ou par Bluetooth (consultez la section **Jumelage d'un appareil Bluetooth** pour de plus amples détails).
6. Réglez le volume de votre lecteur de musique et du Survival Scout au niveau souhaité.
7. Mettez le Survival Scout hors tension lorsque vous ne l'utilisez pas.

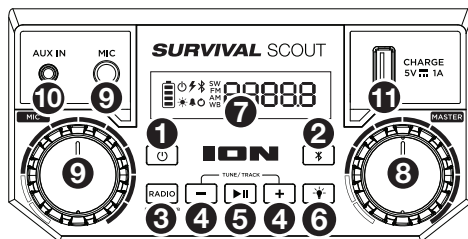
Schéma de connexion

Les éléments qui ne figurent pas dans le **Présentation > Contenu de la boîte** sont vendus séparément.



Caractéristiques

- Touche d'alimentation** : Permet de mettre le Survival Scout sous et hors tension. Veuillez noter que lorsque le Survival Scout est branché à une source d'alimentation, il peut recharger la pile sans être sous tension. Lorsque l'appareil est sous tension, l'écran affiche l'indicateur d'alimentation.
- Touche Bluetooth** : Appuyer sur la touche Bluetooth permet de supprimer la connexion à un périphérique Bluetooth et de relancer le mode de jumelage afin de connecter un autre périphérique Bluetooth.
- Sélecteur de bande radio** : Ce sélecteur permet de sélectionner la bande FM, AM, à ondes courtes (SW), radiométéo (WB) et permet d'éteindre la radio.
- Touches de syntonisation/pistes** : Ces touches permettent de syntoniser une station de radio ou de passer à la piste précédente/suivante sur un périphérique Bluetooth connecté. Pour balayer la bande (passer à la station radio suivante ayant un signal clair), maintenez une de ces touches enfoncée quelques secondes, jusqu'à ce qu'il commence à rechercher la prochaine station disponible. L'appareil mémorise la dernière station syntonisée et s'ouvre sur cette station lorsqu'il est remis sous tension.
- Lancer/interrompre la lecture/préréglages** : Appuyez sur cette touche pour lancer la lecture ou interrompre une piste sur un périphérique Bluetooth connecté. En mode radio Appuyez et relâchez cette touche pour sélectionner une station radio précédemment programmée comme préréglage. Veuillez consulter la section [Utilisation de la radio](#) afin d'en savoir plus sur la programmation et le rappel des préréglages.
- Touche de mode d'éclairage** : Cette touche permet de régler les paramètres d'intensité de l'éclairage : **DEL fortes**, **DEL faibles** et **éteintes**.
- Écran** : Affiche la station radio en cours, l'état de charge de la batterie et l'état Bluetooth. Veuillez consulter la section [Écran](#) afin d'en savoir plus.
- Volume général** : Ce bouton permet de régler le volume du mix général qui comprend l'entrée microphone, l'entrée auxiliaire, le syntoniseur et l'audio d'un périphérique Bluetooth jumelé.
- Entrée microphone avec commande de volume (6,35 mm)** : Cette entrée 6,35 mm (1/4 po) permet de brancher un microphone.
- Entrée auxiliaire** : Cette entrée stéréo 3,5 mm (1/8 po) permettent de brancher un smartphone, un lecteur MP3 ou autres sources audio.
- Port de rechargement USB** : Branchez le câble de rechargement de votre périphérique à cette prise pour le recharger. Le rechargement de la pile par la connexion USB fonctionne uniquement lorsque l'appareil est allumé.



Remarque : Pour recharger plus rapidement vos smartphones et tablettes, mettez l'écran de votre périphérique en veille.

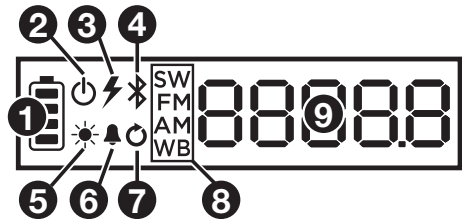
- Panneau solaire** (partie supérieure) : Ce panneau permet de placer l'enceinte Survival Scout au soleil afin de recharger la batterie. Veuillez consulter la section [Rechargement > Panneau solaire](#) afin d'en savoir plus.

Remarque : Le temps de rechargement dépend du taux d'ensoleillement reçu par le panneau solaire. Le temps de rechargement est plus long lorsque l'appareil est exposé à un ensoleillement indirect. Placez la Survival Scout en plein soleil pour de meilleurs résultats.

13. **Manivelle** (panneau latéral) : Tourner cette manivelle permet de recharger manuellement la batterie de la Survival Scout. Veuillez consulter la section [Rechargement > Manivelle](#) afin d'en savoir plus.
14. **NFC** (communication en champ proche [CCP]) (panneau latéral) : Touchez brièvement le logo CCP avec le périphérique équipé de la technologie CCP afin de le jumeler à l'appareil. Veuillez consulter la section [Jumelage Bluetooth à l'aide de la technologie CCP](#) afin d'en savoir plus.
15. **Entrée d'alimentation (panneau arrière)** : Branchez l'adaptateur d'alimentation inclus à cette entrée pour recharger l'appareil. L'**icône éclair** s'allume lorsque l'adaptateur d'alimentation est branché à une prise secteur. Veuillez noter que lorsque le câble d'alimentation est branché, la batterie se recharge même lorsque l'appareil est utilisé.

Écran

1. **Indicateur de charge** : Lorsque l'adaptateur d'alimentation est branché, le mouvement des segments de l'indicateur de charge indique que la batterie est en charge. Lorsque complètement chargée, tous les segments de la batterie s'allument sans clignoter. Lorsque l'adaptateur d'alimentation est débranché, le segment de l'indicateur de charge indique le niveau de charge.



Lorsqu'aucune des touches du panneau avant n'est enfoncée pendant plus de 60 secondes, l'indicateur de niveau de charge de la batterie s'éteint (pour économiser de l'énergie). L'indicateur de niveau de charge de la batterie se rallume lorsqu'une des touches du panneau avant est enfoncée. En outre, lorsque l'indicateur de niveau de charge de la batterie est au plus faible, l'indicateur se rallume.

2. **Indicateur d'alimentation** : L'indicateur d'alimentation s'allume lorsque l'enceinte Survival Scout est sous tension. Cet indicateur d'alimentation ne sera pas allumé lorsque Survival Scout est éteint.
3. **icône éclair** : L'icône éclair s'allume lorsque l'adaptateur d'alimentation est branché à une prise secteur.
4. **icône Bluetooth** : L'icône Bluetooth ne sera pas allumée lorsque l'enceinte Survival Scout est d'abord mise sous tension (à moins qu'elle n'ait été jumelée avec un périphérique auparavant). L'icône Bluetooth s'allume lorsqu'un périphérique est jumelé à l'enceinte Survival Scout.
5. **icône solaire** : Lorsque le panneau solaire reçoit suffisamment de soleil pour activer le rechargement de la batterie, l'icône solaire s'allume.

Remarque : L'icône solaire s'allume uniquement lorsque l'appareil est en marche. Cependant, le rechargement de la batterie s'effectue même lorsque l'appareil est éteint.

6. **icône des alertes** : L'icône des alertes s'allume lorsque le mode des alertes est activé. Veuillez consulter la section [Utilisation de la radio > Bande radiométéo](#) afin d'en savoir plus.
7. **icône de la manivelle** : L'icône de la manivelle s'allume lorsque la manivelle tourne, indiquant que l'appareil est rechargé manuellement.

Remarque : L'icône de la manivelle s'allume uniquement lorsque l'appareil est en marche. Cependant, le rechargement de la batterie s'effectue même lorsque l'appareil est éteint.

8. **FM/AM/SW/WB** : Ces icônes indiquent la bande radio utilisée.
9. **Indicateur de fréquences radio** : Affiche la fréquence radio en cours.

Fonctionnement

Jumelage d'un appareil Bluetooth

1. Veuillez mettre votre périphérique Bluetooth sous tension.
2. Allumez le Survival Scout avec le **touche d'alimentation**. Si vous avez précédemment jumelé un autre périphérique Bluetooth, l'enceinte Survival Scout se reconnectera à cet appareil.
3. Accédez à l'écran de configuration de votre appareil Bluetooth, recherchez « **Survival Scout** » et lancez le jumelage.

Remarque : Si votre appareil vous demande un mot de passe ou NIP, entrez « **0000** ».

4. L'**icône Bluetooth** s'allume lorsqu'il est « jumelé ».

Si votre périphérique Bluetooth ne parvient pas à se jumeler au Survival Scout, appuyez sur la **touche Bluetooth** du Survival Scout afin de supprimer la connexion à d'autres périphériques Bluetooth et remettre à zéro le module Bluetooth.

5. Lancez la lecture de votre périphérique Bluetooth.
6. Appuyez sur la touche Bluetooth pour déjumeler l'appareil Bluetooth déjà branché et puis répétez l'étape 3 à connecter à un autre appareil Bluetooth.

Remarque : Si vous éprouvez de la difficulté à jumeler votre appareil ou à faire jouer de la musique, faites une mise à jour du système d'exploitation de votre appareil.

Jumelage Bluetooth à l'aide d'un module CCP

La communication en champ proche (CCP) permet l'échange de données entre appareils, tel que le jumelage, en effleurant l'un des appareils contre l'autre. Vérifiez le guide d'utilisation de votre appareil afin de déterminer si cette fonctionnalité est prise en charge.

Jumelage au Survival Scout à l'aide de la technologie CCP :

1. Afin d'utiliser la fonctionnalité CCP, le périphérique doit être activé et son écran déverrouillé.
2. Entrez dans le menu **Réglages** de votre périphérique et vérifiez que la fonction **CCP** est activée (à faire uniquement lors du premier jumelage).
3. Mettez l'enceinte Survival Scout sous tension.
4. Touchez brièvement le logo CCP situé sur le panneau latéral de l'enceinte Survival Scout avec votre périphérique.
5. Suivez les instructions de jumelage qui s'affichent sur votre périphérique. Si votre appareil vous demande d'entrer un mot de passe, entrez **0000**.
6. Pour supprimer la connexion, effleurez le périphérique contre le logo CCP.

Utilisation de l'entrée auxiliaire

Branchez un iPod, iPod touch, iPhone, téléphone, lecteur MP3 ou un autre appareil similaire à l'entrée auxiliaire. Réglez le volume de sortie de votre appareil source et ajustez le volume global à l'aide du bouton **Volume général** du Survival Scout.

Utilisation de la radio

1. Tourner le **sélecteur de bande radio** permet d'allumer la radio et de sélectionner la bande FM, AM, à ondes courtes (SW) et radiométéo (WB). Un indicateur sur l'écran s'allume pour indiquer la bande radio sélectionnée.
2. Utilisez les **touches de syntonisation/pistes (-/+)** afin de trouver une station radio. Pour balayer la bande (passer à la prochaine station), maintenez une de ces touches Tune enfoncée quelques secondes, jusqu'à ce qu'il commence à rechercher la prochaine station disponible. L'appareil mémorise la dernière station syntonisée lorsqu'il est mis hors tension et s'ouvre sur cette station lorsqu'il est remis sous tension.

Programmer un pré réglage :

1. Appuyez sur le **sélecteur de bande radio** afin de choisir la radio FM, AM ou SW, puis sélectionner une station radio que vous souhaitez programmer en utilisant les touches -/+.
2. Maintenez la touche pour **lancer/interrompre la lecture** pendant 3 secondes. Un numéro de pré réglage devrait s'afficher.
3. Utilisez les touches -/+ afin de sélectionner le pré réglage.
4. Appuyez sur la touche pour **lancer/interrompre la lecture** afin de confirmer votre choix. « **SAVE** » devrait s'afficher.

Sélectionner un pré réglage :

Lorsque la radio est allumée, appuyer sur la touche pour **lancer/interrompre la lecture** permet de faire défiler les stations radio programmées.

Bande radiométéo

La bande radiométéo reçoit les prévisions météorologiques locales en continu émises par le service de météorologie national de votre région. En outre, ces stations radio reçoivent les messages de veilles et d'alertes météorologiques, ainsi que d'urgences civiles, d'intérêt public et autres avis.

Pour activer le mode des alertes :

1. Tournez le **sélecteur de bande radio** pour allumer la radio et sélectionnez la bande radiométéo (WB).
2. Utilisez les touches **touches de syntonisation/pistes (-/+)** pour sélectionner la station radiométéo pour votre région. Les stations radiométéo disponibles sont :

| Station | 1 | 2 | 3 | 4 | 5 | 6 | 7 |
|---------------------|---------|---------|---------|---------|---------|---------|---------|
| Fréquences (en MHz) | 162,400 | 162,425 | 162,450 | 162,475 | 162,500 | 162,525 | 162,550 |

Remarque : Visitez la page de l'enceinte Survival Scout au ionaudio.com pour des hyperliens qui vous aideront à trouver la station radio afin de recevoir des bulletins météo locaux et des alertes.

3. Maintenez le **sélecteur de bande radio** enfoncé pendant 3 secondes.
4. L'**icône des alertes** s'allume lorsque le mode des alertes est activé. La luminosité de l'écran se tamisera. Lorsqu'une alerte pour votre région est reçue, l'enceinte Survival Scout s'allume et diffuse automatiquement le message.

Remarque : Lorsque possible, il est préférable de relier le câble d'alimentation de l'enceinte Survival Scout à une prise secteur pour utiliser le mode des alertes.

Rechargement

Panneau solaire

Pour utiliser le panneau solaire afin de recharger la batterie, placez l'enceinte Survival Scout en plein soleil pour de meilleurs résultats. Cela peut prendre jusqu'à 40 heures pour recharger complètement la batterie avec le panneau solaire.

Lorsque la Survival Scout est allumée et que le panneau solaire reçoit suffisamment de soleil pour activer le chargement, l'**icône solaire** s'allume. Lorsque la Survival Scout est éteinte, l'**icône solaire** est éteinte, mais le rechargement de la batterie se poursuit.

Manivelle

Pour utiliser la manivelle afin de recharger la batterie de la Survival Scout :

1. Soulevez la manivelle et tirez-la pour la sortir de la Survival Scout.
2. Tenez l'enceinte Survival Scout fermement d'une main et saisissez la manivelle à l'autre.
3. Tournez la manivelle à un rythme régulier, environ deux tours par seconde.
4. Lorsque la Survival Scout est allumée et que la tension fournie par la manivelle est suffisante pour activer le chargement, l'**icône de la manivelle** s'allume. Lorsque la Survival Scout est éteinte, l'**icône de la manivelle** est éteinte, mais le rechargement de la batterie se poursuit.

Faire tourner la manivelle pendant 10 minutes permet d'augmenter la charge de la batterie de 1 %. Cela peut prendre jusqu'à 16 heures pour recharger complètement la batterie avec la manivelle.

Vous pouvez utiliser conjointement la manivelle et le panneau solaire pour recharger la batterie. Cela peut prendre jusqu'à 11 heures pour recharger complètement la batterie en utilisant la manivelle et le panneau solaire.

Prise secteur

Pour utiliser l'alimentation secteur afin de recharger la batterie de la Survival Scout, branchez le câble d'alimentation fourni (15 V CC, 2,8 A, centre positif) à l'**entrée d'alimentation**, puis branchez l'autre extrémité à une prise secteur. Cela peut prendre jusqu'à 5 heures et demie pour recharger complètement la batterie en utilisant l'alimentation secteur.

L'**icône éclair** s'allume lorsque la Survival Scout est allumée et qu'elle est branchée à une prise secteur. Le mouvement de l'**indicateur de charge** indique que le rechargement de la batterie est en cours.

Guide de dépannage

Lorsqu'il y a de la distorsion : Essayez de diminuer le volume sur l'appareil d'entrée audio ou l'instrument de musique. Essayez également de réduire le volume général du Survival Scout.

Lorsqu'il y a trop de basses fréquences : Essayez de régler le niveau de tonalité et d'égalisation sur l'appareil de source d'entrée audio afin de diminuer le niveau des basses fréquences. Cela vous permettra d'augmenter le volume de la musique avant que l'écrêtage se produise.

Lorsqu'il y a une mauvaise réception AM : Lorsqu'un appareil Bluetooth est jumelé, désactivez le jumelage de votre appareil Bluetooth afin d'écouter la radio AM. Pour ajuster la réception AM, déplacez tout l'appareil.

Si vous ne pouvez entendre le microphone au-dessus de la musique : diminuez le volume de la musique de la source audio.

Lorsqu'il y a un sifflement aigu lors de l'utilisation des microphones : Ceci est probablement causé par l'effet Larsen (feedback). Dirigez le microphone loin des haut-parleurs.

Si vous ne parvenez pas à lire le matériel sur la clé USB : Les port USB est uniquement à recharger les périphériques USB.

Si l'appareil ne se recharge pas : Veuillez vous assurer que le câble d'alimentation secteur est correctement branché à l'entrée d'alimentation et à une prise secteur. Si vous utilisez le panneau solaire, assurez-vous que l'enceinte est placée en plein soleil et que l'**icône solaire** est allumée. Si vous utilisez la manivelle, assurez-vous que l'**icône de la manivelle** est allumée.

Guida rapida (Italiano)

Introduzione

Contenuti della confezione

| | |
|-----------------------------|------------------------------------|
| Survival Scout | Guida rapida |
| Adattatore di alimentazione | Istruzioni di sicurezza e garanzia |
| Cavo aux stereo da 3,5 mm | |

Assistenza

Per conoscere le ultime informazioni in merito a questo prodotto (i requisiti di sistema complete, compatibilità, ecc) e per la registrazione del prodotto, recarsi alla pagina ionaudio.com.

Per ulteriore assistenza sul prodotto, recarsi alla pagina ionaudio.com/support.

Batterie ricaricabili

Le batterie ricaricabili al piombo-acido sono dello stesso tipo di quelle utilizzate nelle automobili. Come nel caso della batteria dell'auto, la maniera in cui si utilizza questa batteria ha un notevole impatto sulla sua vita utile. Con un utilizzo adeguato, una batteria al piombo-acido può durare per anni. Ecco alcune raccomandazioni per garantire la massima durata dalla batteria interna.

Utilizzo generico Caricare a fondo il prodotto prima dell'uso.

Caricare a fondo il prodotto prima di riporlo.

Come riporre l'apparecchio Per la massima longevità del prodotto, evitare di riporlo a temperature eccessivamente elevate (superiori a 32 °C / 90 °F) o eccessivamente fredde (meno di 0 °C / 32 °F).

L'impianto audio può essere lasciato collegato. Così facendo la batteria non si sovraccarica.

Se si lascia il livello della batteria basso e non la si ricarica per 6 mesi, potrebbe perdere capacità in via permanente.

Riparazioni Se la batteria non si carica, contattare il dipartimento parti di ricambio alla pagina ionaudio.com.

Come eliminare l'apparecchio Recarsi con l'apparecchio presso un centro di riciclaggio oppure eliminarlo in conformità con le normative locali.



Importante!

Avvertenze relative al cavo di prolunga:

- Mantenere tutti i cavi elettrici in buone condizioni. Non utilizzare cavi usurati, nudi o sfilacciati che possono causare scosse elettriche quando il Survival Scout è collegato all'alimentazione a parete.
- Se occorre utilizzare un cavo di prolunga, servirsi di cavi di prolunga con messa a terra che presentino una tensione nominale per un utilizzo da esterni e dotato di un terzo filo di terra.
- Evitare di utilizzare cavi di prolunga eccessivamente lunghi, che potrebbero causare cadute di tensione producendo il surriscaldamento del cavo.
- Quando si utilizzano lunghi cavi di prolunga con il Survival Scout, servirsi di un cavo più pesante con una dimensione maggiore del filo per ridurre la caduta di tensione (più il cavo è lungo o sottile, maggiore è la caduta di tensione).

Utilizzo all'aperto e cura

Sebbene il Survival Scout sia impermeabile e in grado di sopportare eventuali schizzi d'acqua, leggere attentamente i consigli di cui sotto per ottenere le migliori prestazioni dal Survival Scout:

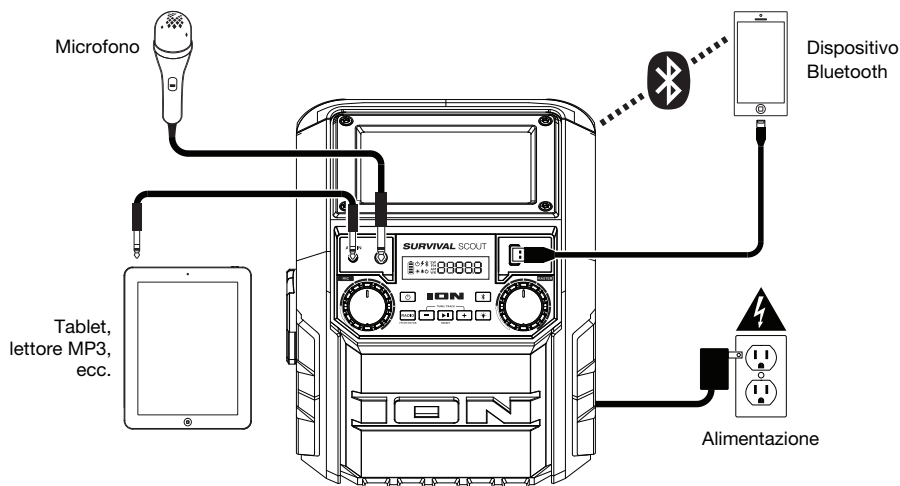
- Il Survival Scout deve essere utilizzato unicamente all'aperto, con prese di alimentazione o prolunghe dalla tensione nominale specifica per un utilizzo all'aperto.
- Portare il Survival Scout all'interno in caso di maltempo.
- Non collocare il Survival Scout in acqua.
- Non collegare il cavo di alimentazione al Survival Scout in un ambiente bagnato. Assicurarsi che l'ingresso di alimentazione, il cavo di alimentazione e la presa di alimentazione siano completamente asciutti prima di effettuare qualsiasi collegamento.
- **Avvertenza:** mantenere qualsiasi dispositivo non impermeabile (telefono, lettore musicale, ecc.) in un luogo asciutto dove non sia interessato dall'acqua rischiando di causare scosse elettriche.

Inizio rapido

1. Assicurarsi che tutti gli elementi elencati nel paragrafo **Contenuti della confezione** sul frontespizio della presente guida si trovino nella confezione.
2. Leggere attentamente il libretto delle *istruzioni di sicurezza* prima di utilizzare il prodotto.
3. Per garantire la massima durata della batteria, assicurarsi di averla caricata completamente prima del primo utilizzo.
4. Abbassare il volume del Survival Scout.
5. Collegare il lettore musicale con un cavo audio o Bluetooth (per maggiori informazioni in merito, si veda il paragrafo **Collegamento a un dispositivo Bluetooth**).
6. Regolare il volume del lettore musicale e del Survival Scout come desiderato.
7. Spegnerne il Survival Scout quando non è in uso.

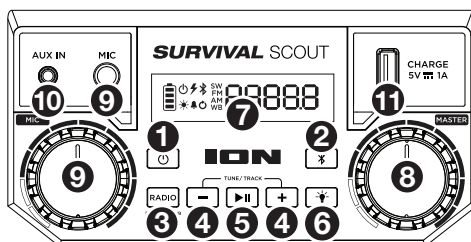
Schema dei collegamenti

Elementi non elencati sotto **Introduzione > Contenuti della confezione** sono venduti separatamente.



Caratteristiche

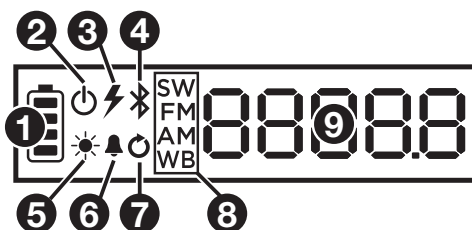
- Tasto di alimentazione:** accende o spegne il Survival Scout. Va notato che quando il Survival Scout è collegato ad una fonte di alimentazione, non deve essere necessariamente acceso per caricare la batteria. Quando l'alimentazione è accesa, a display compare l'indicatore di alimentazione.
 - Tasto Bluetooth:** Premere il tasto Bluetooth per scollegare un dispositivo Bluetooth collegato ed entrare in modalità di collegamento per collegare un altro dispositivo Bluetooth.
 - Selettore radio:** questo pulsante imposta la Radio su FM, AM, Onda corta (SW), o Banda meteo (WB), oppure la spegne.
 - Tasti Tune/Track (sintonia/traccia):** toccare questi tasti per sintonizzare una stazione radio o per passare alla traccia precedente/successiva su un dispositivo Bluetooth collegato. Per effettuare la "scansione" (passare alla stazione libera successiva), tenere premuto uno di questi tasti per alcuni secondi fino a quando non inizia a cercare una stazione. L'apparecchio ricorderà l'ultima stazione selezionata e ripartirà da tale stazione in caso di spegnimento e riaccensione.
 - Play/Pause/Preset:** premere questo tasto per riprodurre o mettere in pausa una traccia da un dispositivo Bluetooth collegato. In modalità radio, premere e rilasciare questo tasto per selezionare una stazione radio predefinita salvata in precedenza. Si veda [Utilizzo della radio](#) per maggiori dettagli su come salvare e richiamare i preset.
 - Tasto di modalità luci:** premere questo tasto per configurare la luminosità delle luci: **LED alto**, **LED basso** e **spenta**.
 - Display:** mostra la stazione radio corrente, lo stato della batteria, e lo stato del Bluetooth. Si veda [Display](#) per maggiori informazioni.
 - Comando volume Master:** questo comando regola il volume principale di mix dell'altoparlante, che comprende l'ingresso microfono, l'ingresso ausiliario (aux), il sintonizzatore e l'audio di un dispositivo Bluetooth accoppiato.
 - Ingresso microfono con controllo di guadagno volume (6,35 mm):** Collegare un microfono da 6,35 mm (1/4") a questo ingresso.
 - Ingresso ausiliario:** questo ingresso stereo da 3,5 mm (1/8") può essere utilizzato per collegare un smartphone, un lettore MP3 o altre sorgenti audio.
 - Porta di carica USB:** collegare a questo livello il cavo di ricarica del dispositivo per ricaricarlo. La carica tramite USB funziona unicamente quando l'apparecchio è acceso.
- Nota bene:** per caricare smartphone e tablet più in fretta, mettere lo schermo del dispositivo in stand-by.
- Pannello solare** (pannello superiore): collocare il Survival Scout alla luce del sole per caricare la batteria utilizzando il pannello solare. Si veda [Carica > Pannello solare](#) per maggiori informazioni.
- Nota bene:** la percentuale di carica dipende dalla quantità di luce solare ricevuta dal pannello solare. Quando riceve luce solare indiretta, l'apparecchio si carica più lentamente. Per ottenere i migliori risultati, collocare il Survival Scout alla luce diretta del sole.
- Manovella** (pannello laterale): girare questa manovella per caricare il Survival Scout. Si veda [Carica > Manovella](#) per maggiori informazioni.



14. **NFC** (comunicazione in prossimità) (pannello laterale): toccare e tenere brevemente premuto il dispositivo abilitato contro il logo NFC per collegare il dispositivo. Si veda [Accoppiamento di un dispositivo Bluetooth servendosi dell'NFC](#) per maggiori informazioni.
15. **Ingresso adattatore di alimentazione** (pannello posteriore): per caricare l'apparecchio, inserire a questo livello l'adattatore di alimentazione in dotazione. L'**icona a fulmine** si illumina quando il adattatore di alimentazione è collegato. Va notato che quando il adattatore di alimentazione è collegato, la batteria si caricherà anche quando l'apparecchio è in uso.

Display

1. **Indicatori di carica:** quando il adattatore di alimentazione è collegato, il movimento dei segmenti della batteria a livello dell'indicatore di carica mostra che la batteria si sta caricando. Una volta completata la ricarica, tutti i segmenti della batteria saranno accesi senza lampeggiare. Quando il adattatore di alimentazione è scollegato, i segmenti della batteria mostrano il livello di carica.



Se non viene premuto alcun pulsante sul pannello anteriore entro 60 secondi, l'indicatore di livello della batteria si spegne (per risparmiare energia). L'indicatore di livello della batteria ricompare quando viene premuto un pulsante qualsiasi. L'indicatore si accenderà nuovamente anche quando il livello della batteria raggiunge il segmento più basso della relativa icona.

2. **Indicatore di alimentazione:** Quando il Survival Scout è acceso, l'indicatore di alimentazione sarà illuminato. Questo indicatore di alimentazione non si illumina quando Survival Scout è spento.
3. **Icona a fulmine:** l'icona a fulmine si illumina quando il adattatore di alimentazione è collegato a una presa a parete.
4. **Icona Bluetooth:** l'icona Bluetooth non è accesa quando il Survival Scout viene acceso la prima volta (a meno che quest'ultimo non fosse accoppiato in precedenza con un dispositivo). Quando un dispositivo è collegato al Survival Scout, l'icona Bluetooth è illuminata in maniera fissa.
5. **Icona solare:** quando il pannello solare riceve luce solare a sufficienza per attivare la ricarica, questa spia si illumina.

Nota bene: l'icona solare compare unicamente quando l'apparecchio è acceso. Tuttavia, continuerà a caricarsi da spento.

6. **Icona di allarme climatico:** l'icona di allarme climatico si accende quando la radio è in modalità di Allerta. Si veda [Utilizzo della radio > Radio banda meteo](#) per maggiori informazioni.
7. **Icona manovella:** l'icona della manovella si accende mentre la **manovella** gira, indicando che l'apparecchio è in carica.

Nota bene: l'icona della manovella compare unicamente quando l'apparecchio è acceso. Tuttavia, continuerà a caricarsi da spento.

8. **FM/AM/SW/WB:** queste icone indicano la banda radio attualmente in uso.
9. **Indicatore di frequenza radio:** mostra a display la frequenza radio corrente.

Operazione

Collegamento a un dispositivo Bluetooth

1. Accendere il dispositivo Bluetooth.
2. Accendere il Survival Scout utilizzando il **tasto di alimentazione**.
3. Navigare nella schermata di configurazione del dispositivo Bluetooth, trovare **Survival Scout** e collegarlo.

Nota bene: Se il dispositivo richiede un codice o PIN, inserire **0000**.

4. L'**icona Bluetooth** rimarrà illuminato quando è "accoppiato".

Se il dispositivo Bluetooth non è in grado di effettuare l'accoppiamento al Survival Scout, premere il **tasto Bluetooth** del Survival Scout stesso per interrompere collegamenti Bluetooth precedenti e azzerare il modulo Bluetooth.

5. Avviare la riproduzione del dispositivo Bluetooth.
6. Per scollegare un dispositivo Bluetooth collegato e collegare un altro dispositivo Bluetooth, premere il tasto Bluetooth e ripetere la fase 3.

Nota bene: in caso di problemi nell'accoppiare gli apparecchi o nel riprodurre la musica, aggiornare il sistema operativo del dispositivo.

Accoppiamento di un dispositivo Bluetooth servendosi dell'NFC

L'NFC (comunicazione in prossimità) consente lo scambio di dati tra dispositivi, come nell'accoppiamento, mettendoli delicatamente insieme. Verificare nel manuale del proprio dispositivo se questa funzione è supportata.

Per utilizzare l'NFC per l'accoppiamento con il Survival Scout:

1. Per utilizzare l'NFC, il dispositivo deve essere acceso e sbloccato.
2. Entrare nel menu **Settings** del dispositivo e verificare che **NFC** sia acceso (**On**) (questo passaggio andrà effettuato una sola volta).
3. Accendere il Survival Scout.
4. Toccare e mantenere brevemente il dispositivo contro il logo NFC situato sul pannello laterale del Survival Scout.
5. Seguire le istruzioni di accoppiamento che compaiono sul telefono. Se viene richiesta una password, digitare **0000**.
6. Spingere delicatamente il dispositivo contro il logo NFC.

Utilizzo dell'ingresso Aux

Collegare iPod, iPod touch, iPhone, smartphone, lettore MP3 o dispositivo simile all'ingresso Aux. Regolare il volume di uscita del dispositivo sorgente e regolare il volume complessivo servendosi del comando **volume Master** del Survival Scout.

Utilizzo della radio

1. Accendere la radio servendosi del tasto **Radio Selector** per selezionare FM, AM, onde corte (SW), o banda meteo (WB). Si accende una spia a display a indicare la banda radio attualmente selezionata.
2. Servirsi dei tasti **Tune/Track (-/+)** per cercare una stazione radio. Per effettuare la "scansione" (passare alla stazione disponibile successiva), tenere premuto un tasto Tune per alcuni secondi fino a quando non inizia a cercare una stazione. L'apparecchio ricorderà l'ultima stazione selezionata e ripartirà da tale stazione in caso di spegnimento e riaccensione.

Salvataggio di un preset:

1. Premere il tasto **Radio Selector** per scegliere FM/AM/SW e selezionare la stazione radio che si desidera salvare su un preset servendosi dei tasti **Tune/Track (-/+)**.
2. Tenere premuto **Play/Pause** per 3 secondi. Un numero di preset apparirà sullo schermo.
3. Servirsi dei tasti **-/+** per scegliere il preset che si desidera salvare su tale numero.
4. Premere il tasto **Play/Pause** per confermare. Sullo schermo appare la scritta "**SAVE**".

Scelta di un preset:

Quando la radio è accesa, premere **Play/Pause** per scorrere tra i preset salvati.

Radio banda meteo

La banda meteo riceve bollettini meteorologici continui locali emessi dal servizio meteorologico nazionale nella regione dell'utente. Inoltre, questi canali ricevono messaggi di allerta e avvisi per condizioni meteo pericolose, oltre a emergenze civili, annunci di pubblica sicurezza e altri tipi di avvertenze.

Per impostare la modalità Allarme:

1. Accendere la radio servendosi del tasto **Radio Selector** e selezionare banda meteo (WB).
2. Servirsi dei tasti **Tune/Track (-/+)** per selezionare il canale Meteo della propria zona. I canali disponibili per la banda meteo sono i seguenti:

| Canale | 1 | 2 | 3 | 4 | 5 | 6 | 7 |
|--------------------|---------|---------|---------|---------|---------|---------|---------|
| Frequenza (in MHz) | 162,400 | 162,425 | 162,450 | 162,475 | 162,500 | 162,525 | 162,550 |

Nota bene: per avere link che aiutino a trovare le giuste frequenze da utilizzare per ricevere i report e gli avvisi meteo locali, recarsi alla pagina prodotto del Survival Scout su ionaudio.com.

3. Tenere premuto il tasto **Radio Selector** per 3 secondi.
4. L'**icona di allarme climatico** appare a display per indicare che la modalità di allarme è attiva. Il display entra in uno stato sfuocato. Se viene ricevuto un allarme dalla propria area, Survival Scout si accende e inizia a trasmetterlo automaticamente.

Nota bene: se possibile, si consiglia di mantenere il Survival Scout alimentato dall'adattatore quando si utilizza la modalità di Allarme.

Carica

Pannello solare

Per utilizzare il pannello solare per caricare il Survival Scout, collocare l'altoparlante alla luce diretta del sole per ottenere i migliori risultati. La ricarica completa della batteria utilizzando il pannello solare può richiedere fino a 40 ore.

Quando il Survival Scout è acceso e il pannello solare riceve luce solare a sufficienza per attivare la ricarica, l'**icona solare** si illumina. Quando il Survival Scout è spento, l'icona solare non si illumina, ma l'apparecchio si ricarica.

Manovella

Per utilizzare la manovella per caricare il Survival Scout:

1. Sollevare la maniglia e allontanarla dal lato del Survival Scout.
2. Tenere fermo il Survival Scout con una mano e afferrare l'impugnatura della manovella con l'altra.
3. Ruotare la manovella ad un ritmo costante di circa due giri al secondo.
4. Quando il Survival Scout è acceso e la manovella lo sta caricando, l'**icona della manovella si accende**. Quando il Survival Scout è spento, l'icona della manovella non si illumina, ma l'apparecchio si ricarica.

L'utilizzo della manovella del Survival Scout per 10 minuti garantisce l'1% di durata della batteria. La ricarica completa della batteria utilizzando la manovella può richiedere fino a 16 ore.

Si può utilizzare la manovella per la ricarica contemporaneamente all'uso del pannello solare. Utilizzando la manovella e il pannello solare contemporaneamente, la ricarica completa della batteria può richiedere fino a 11 ore.

Presca di alimentazione

Per caricare il Survival Scout utilizzando una presa elettrica standard, inserire l'**adattatore di alimentazione** in dotazione (15 VCC, 2,8 A, centro positivo) nell'apposito **ingresso** e collegarlo a una presa elettrica. Utilizzando l'adattatore, la ricarica completa della batteria può richiedere fino a 5,5 ore.

Quando il Survival Scout è acceso e collegato all'alimentazione, l'**Icona con il fulmine** si accende. Il movimento dell'**Indicatore di livello della batteria** mostra che la batteria è in carica.

Risoluzione di problemi

Il suono è distorto: provare ad abbassare il volume della propria fonte audio o dello strumento musicale. Inoltre, provare a ridurre il volume complessivo del Survival Scout.

Eccessivi bassi: provare a regolare la tonalità o il comando EQ a livello della fonte audio per abbassare il livello dei bassi. Ciò permetterà di suonare la musica più forte prima che salti (che si verifichi distorsione).

C'è una scarsa ricezione AM: se un dispositivo Bluetooth è accoppiato, scollegare il dispositivo Bluetooth per ascoltare la radio AM. Per regolare la ricezione AM, spostare l'intero apparecchio.

Se non si sente il microfono al di sopra del volume della musica: abbassare il volume della musica a livello della fonte.

Quando si utilizzano i microfoni si verifica un fischio ad alto pitch: si tratta probabilmente di ritorno. Puntare i microfoni lontani dalle casse.

Impossibile riprodurre musica da un drive flash: le porta USB sono intese unicamente per la ricarica di dispositivi USB.

Se l'apparecchio non si ricarica: assicurarsi che l'adattatore di alimentazione sia collegato adeguatamente all'ingresso di alimentazione e a una presa elettrica. Se si utilizza il pannello solare per la ricarica, assicurarsi che l'apparecchio riceva luce solare diretta e che l'**icona solare** sia accesa. Se si utilizza la manovella per la ricarica, assicurarsi che l'**icona della manovella** sia accesa.

Schnellstart-Anleitung (Deutsch)

Einführung

Lieferumfang

| | |
|-------------------------|------------------------------------------------|
| Survival Scout | Schnellstart-Anleitung |
| Netzteil | Sicherheitshinweise und Garantiefinformationen |
| 3,5 mm Stereo Aux-Kabel | |

Kundendienst

Für aktuell die neuesten Informationen zu diesem Produkt (Systemanforderungen, Informationen zur Kompatibilität etc.) und zur Produktregistrierung besuchen Sie ionaudio.com.

Für zusätzlichen Produkt-Support besuchen Sie ionaudio.com/support.

Wiederaufladbare Batterien

Bei wiederaufladbaren Bleibatterien handelt es sich um die gleiche Art von Batterien, die in Autos verwendet werden. Und wie bei Ihrer Autobatterie ist es auch für die Nutzungsdauer dieser Batterie von äußerster Wichtigkeit, wie sie verwendet wird. Bei vorschriftsmäßigem Gebrauch und richtiger Pflege kann eine Bleibatterie jahrelang halten. Lesen Sie die nachstehenden Empfehlungen, um aus der eingebauten Batterie das Beste herauszuholen.

| | |
|------------------------------|-----------------------------------------------------------------------------------------------------------------------------------------------------------------------------------------------------------------------------------------------------------------------------------------------------------------------------------------------------------------------------------------------------------|
| Allgemeine Verwendung | Laden Sie den Akku vollständig auf, bevor Sie ihn verwenden. Laden Sie den Akku nach jedem Gebrauch vollständig auf. |
| Aufbewahrung | Lagern Sie das Produkt nie bei extrem warmen (mehr als 32 °C / 90 °F) oder übermäßig kalten (weniger als 0 °C / 32 °F) Temperaturen, um die optimale Langlebigkeit zu erzielen. Sie können Ihr Sound-System angesteckt lassen. Der Akku wird dabei nicht überladen. Wenn Ihr Akku einen niedrigen Ladestand hat und Sie ihn 6 Monate lang nicht aufladen, kann er dauerhaft an Kapazität verlieren. |
| Reparatur | Wenn sich der Akku nicht aufladen lässt, kontaktieren Sie ION Audio über ionaudio.com . |
| Entsorgung | Bringen Sie das Gerät in ein Recyclingzentrum oder entsorgen Sie es entsprechend lokaler Verordnungen. |



Wichtig!

Sicherheitshinweise zum Verlängerungskabel:

- Halten Sie alle elektrischen Kabel in gutem Zustand. Verwenden Sie keine abgenutzten, blanken oder ausgefranzten Kabel, die elektrische Schläge verursachen können, wenn Survival Scout mit einer Steckdose verbunden ist.
- Wenn Sie ein Verlängerungskabel verwenden müssen, verwenden Sie nur Geräte mit einem Masseleiter und geerdetem Verlängerungskabel, das auf die Verwendung im Außenbereich ausgelegt ist.
- Vermeiden Sie übermäßig lange Verlängerungskabel, die Spannungsabfälle verursachen können, was dazu führt, dass das Kabel überhitzt.
- Wenn Sie den Survival Scout mit langen Verlängerungskabeln verwenden, sollten Sie ein schwereres Kabel mit größerem Kabelquerschnitt verwenden, um den Spannungsabfall zu verringern (je länger bzw. dünner das Kabel ist, desto größer ist der Spannungsabfall).

Einsatz im Freien und Pflege des Produkts

Obwohl der Survival Scout wasserfest ist und Wasserspritzer vertragen kann, lesen Sie bitte die folgenden Tipps für die optimale Performance Ihres Survival Scout:

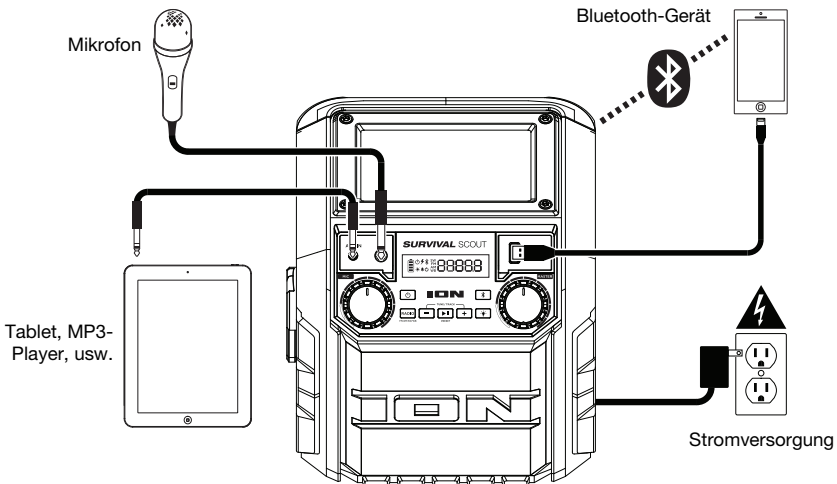
- Survival Scout darf im Freien nur mit Steckdosen oder Verlängerungskabeln verwendet werden, die für den Einsatz im Freien geeignet sind.
- Bringen Sie Survival Scout bei extremen Wetterbedingungen ins Haus.
- Bitte platzieren Sie den Survival Scout nie in stehenden Gewässern.
- In einer nassen Umgebung schließen Sie bitte das Netzteil nicht an den Survival Scout an. Stellen Sie sicher, dass der Netzteil-Eingang, der Netzteil und die Steckdose komplett trocken sind, bevor Sie irgendwelche Verbindungen herstellen.
- **Achtung:** Bewahren Sie alle nicht wasserdichten Geräte (Handys, Musik-Player etc.) an einem trockenen Ort auf, wo sie nicht von der Feuchtigkeit beeinträchtigt werden können und kein Risiko durch Stromschläge besteht.

Schnelles Einrichten

1. Achten Sie darauf, dass alle am Beginn dieser Anleitung aufgeführten Teile in der Schachtel enthalten sind.
2. Lesen Sie die *Sicherheitshinweise und Garantieinformationen* bevor Sie das Produkt verwenden.
3. Stellen Sie sicher, dass die Batterie vor der ersten Verwendung vollständig aufgeladen ist, um eine maximale Batterielebensdauer zu erzielen.
4. Regeln Sie die Lautstärke am Survival Scout herunter.
5. Verbinden Sie Ihren Musik-Player mit einem Audiokabel oder via Bluetooth (siehe [Verbindung mit einem Bluetooth-Gerät](#) für weitere Details zu diesem Thema).
6. Stellen Sie die Lautstärke auf Ihrem Musik-Player und am Survival Scout nach Wunsch ein.
7. Schalten Sie den Survival Scout aus, wenn das Gerät nicht in Gebrauch ist.

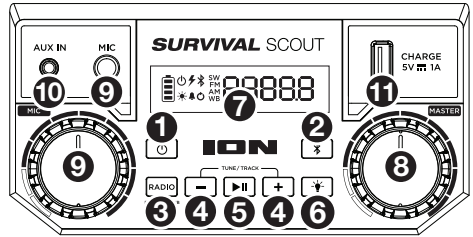
Anschlussdiagramm

Teile, die nicht unter [Einführung > Lieferumfang](#) angegeben sind, sind separat erhältlich.



Funktionen

1. **Power-Taste:** Schaltet den Survival Scout an oder aus. Beachten Sie bitte, dass beim Anschluss des Survival Scout an ein Stromnetz das Gerät nicht eingeschaltet werden muss, um die Batterie aufzuladen. Wenn das Gerät eingeschaltet ist, zeigt das Display das **Netzanzeige** an.



2. **Bluetooth-Taste:** Drücken Sie den Bluetooth-Button, um ein verbundenes Bluetooth-Gerät zu trennen und wählen Sie den Kopplungsmodus aus, um eine Verbindung mit einem anderen Bluetooth-Gerät herzustellen.

3. **Radiowahlschalter:** Diese Taste schaltet das Radio auf FM, AM, Kurzwelle (SW), Wettersender (WB) oder schaltet das Radio aus.

4. **Tune/Track-Tasten:** Tippen Sie auf diese Tasten, um einen Radiosender einzustellen oder zum vorherigen/nächsten Track auf einem via Bluetooth angeschlossenen Gerät zu springen. Um zu "suchen" (zum nächsten klaren Sender springen), halten Sie eine dieser Tasten einige Sekunden lang gedrückt, bis die Suche nach einem Sender beginnt. Das Gerät wird sich an den zuletzt gespielten Sender erinnern und die Wiedergabe dieses Senders aufnehmen, wenn Sie das Gerät aus- und wieder einschalten.

5. **Wiedergabe/Pause/Presets:** Drücken Sie diese Taste, um einen Track eines angeschlossenen Bluetooth-Geräts zu spielen oder zu pausieren. Im Radio-Modus Drücken Sie kurz diese Taste, um einen zuvor gespeicherten Preset-Sender auszuwählen. Siehe Abschnitt **Verwendung des Radios** für nähere Details zum Speichern und Aufrufen von Presets.

6. **Licht-Modus-Taste:** Drücken Sie diese Taste, um die Helligkeitseinstellungen für die Beleuchtung anzupassen: **LED High**, **LED Low** und **aus**.

7. **Display:** Zeigt den aktuellen Radiosender, Akkuladestatus und Bluetooth-Status. Weitere Informationen finden Sie unter **Display**.

8. **Gesamtlautstärkereglern:** Regelt die Gesamtlautstärke des Lautsprechers. Dies beinhaltet den Mikrofon-Eingang, den AUX-Eingang, den Radio und das Audiosignal eines gekoppelten Bluetooth-Geräts.

9. **Mikrofon Eingang mit Lautstärke-Regler (6,35 mm Klinke):** Schließen Sie ein Mikrofon über einen 6,35 mm (1/4")-Klinkenstecker an diese Buchse an.

10. **AUX-Eingang:** Dieser 3,5 mm (1/8") Stereo-Eingang kann dazu verwendet werden, einen Smartphone, einen MP3-Player oder eine andere Audio-Quelle anzuschließen.

11. **USB-Anschluss:** Schließen Sie das Ladekabel Ihres Geräts hier an, um es aufzuladen. Das Laden via USB funktioniert nur, wenn das Gerät eingeschaltet ist.

Hinweis: Um Ihre Smartphones und Tablets schneller aufzuladen, bringen Sie den Bildschirm des Geräts in den Ruhemodus.

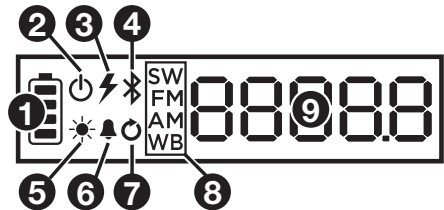
12. **Solarpanel** (oberes Panel): Platzieren Sie den Survival Scout im Sonnenlicht, um den Akku mit dem Solarpanel aufzuladen. Weitere Informationen finden Sie unter **Aufladen > Solarpanel**.

Hinweis: Die Ladegeschwindigkeit hängt von der Sonneneinstrahlung ab, die das Solarpanel erhält. Das Gerät lädt sich bei indirekter Sonneneinstrahlung langsamer auf. Idealerweise platzieren Sie den Survival Scout in direktem Sonnenlicht.

13. **Handkurbel** (Seitenpanel): Drehen Sie diese Kurbel, um Survival Scout aufzuladen. Siehe [Aufladen > Handkurbel](#) for more information.
14. **NFC** (kabellose Nahbereichskommunikation) (Seitenteil): Berühren und halten Sie Ihr unterstütztes und NFC-fähiges Gerät kurz an das NFC-Logo, um das Gerät zu koppeln. Weitere Informationen finden Sie unter [Koppeln eines Bluetooth-Geräts mit NFC](#).
15. **Netzteileingang** (Rückseite): Schließen Sie das mitgelieferte Netzteil hier an, um das Gerät aufzuladen. Das **Blitzsymbol** leuchtet auf, wenn das Netzteil angeschlossen ist. Bitte beachten Sie, dass wenn das Netzteil angeschlossen ist, die Batterie auch dann geladen wird, wenn das Gerät im Einsatz ist.

Display

1. **Ladeanzeigen:** Wenn das Netzteil angeschlossen ist, zeigt die Akkuladeanzeige eine Bewegung am Akkusegment an, um darauf hinzuweisen, dass der Akku nun aufgeladen wird. Wenn das Gerät voll aufgeladen ist, werden alle Akkusegmente durchgehend leuchten (ohne zu blinken). Wenn das Netzteil abgezogen wird, zeigt das Akkusegment den Akkuladestand.



Wenn nicht innerhalb von 60 Sekunden eine Taste auf der Frontplatte gedrückt wird, schaltet sich die Batteriestandsanzeige aus (um Energie zu sparen). Sobald eine Taste betätigt wird, erscheint die Batteriestandsanzeige wieder. Die Batteriestandsanzeige schaltet sich auch dann wieder ein, wenn die Batterie das niedrigste Segment des Batteriesymbols erreicht.

2. **Netzanzeige:** Die Netzanzeige leuchtet, wenn Survival Scout eingeschaltet ist. Dieser Netzanzeige wird nicht leuchtet, wenn Survival Scout ausgeschaltet ist.
3. **Blitzsymbol:** Das Blitzsymbol leuchtet auf, wenn das Netzteil an eine Steckdose angeschlossen ist.
4. **Bluetooth-Symbol:** Das Bluetooth-Symbol leuchtet nicht, wenn der Survival Scout zum ersten Mal eingeschaltet wird (es sei denn, er wurde zuvor mit einem Gerät gekoppelt). Das Bluetooth-Symbol leuchtet, wenn ein Gerät mit dem Survival Scout gekoppelt ist.
5. **Solarsymbol:** Wenn das Solarpanel genügend Sonnenlicht empfängt, um den Ladevorgang zu aktivieren, leuchtet das Solarsymbol auf.

Hinweis: Das Solarsymbol erscheint nur, wenn das Gerät eingeschaltet ist. Das Gerät lädt jedoch auch auf nachdem es ausgeschaltet wurde.

6. **Wetterwarnsymbol:** Das Wetterwarnsymbol leuchtet auf, wenn sich das Radio im Warnmodus befindet. Siehe [Verwenden des Radios > Wettersender](#) für weitere Informationen.
7. **Handkurbel-Symbol:** Das Handkurbel-Symbol leuchtet, während die **Handkurbel** gedreht wird und zeigt an, dass das Gerät aufgeladen wird.

Hinweis: Das Handkurbel-Symbol erscheint nur, wenn das Gerät eingeschaltet ist. Das Gerät lädt jedoch auch auf nachdem es ausgeschaltet wurde.

8. **FM/AM/SW/WB:** Diese Symbole zeigen das aktuelle Funkband an.
9. **Radiofrequenzanzeige:** Zeigt die aktuelle Radiofrequenz an.

Verbindung mit einem Bluetooth-Gerät

1. Schalten Sie Ihr Bluetooth-Gerät ein.
2. Schalten Sie den Survival Scout mit der **Power-Taste** ein.
3. Navigieren Sie zum Setup-Bildschirm Ihres Bluetooth-Geräts, suchen Sie **Survival Scout** und verbinden Sie die Geräte.

Hinweis: Wenn Ihr Gerät die Eingabe eines Passcodes oder eines PINs anfordert, geben Sie **0000** ein.

4. Die **Bluetooth-Symbol** leuchtet dauerhaft, wenn die Geräte "gekoppelt" sind.

Wenn Ihr Bluetooth-Gerät keine Verbindung zum Survival Scout herstellen kann, drücken Sie am Survival Scout die **Bluetooth-Taste**, um frühere Bluetooth-Verbindungen zu trennen und das Bluetooth-Modul zurückzusetzen.

5. Starten Sie die Wiedergabe auf Ihrem Bluetooth-Gerät.
6. Um ein angeschlossenes Bluetooth-Gerät zu trennen und eine Verbindung mit einem anderen Bluetooth-Gerät herzustellen, drücken Sie die Bluetooth-Taste. Wiederholen Sie Schritt 3.

Hinweis: Wenn Sie Probleme bei der Musikwiedergabe oder beim Verbinden Ihres Gerätes haben, aktualisieren Sie das OS Ihres Gerätes.

Koppeln eines Bluetooth-Geräts mit NFC

NFC (kabellose Nahbereichskommunikation) ermöglicht den Datenaustausch von Geräten, wie z. B. die Kopplung durch leichtes Anstoßen. Lesen Sie in der Gebrauchsanleitung Ihres Geräts nach, ob diese Funktion unterstützt wird.

So nutzen Sie NFC, um eine Verbindung mit dem Survival Scout herzustellen:

1. Um NFC zu nutzen, muss das Gerät eingeschaltet und entsperrt werden.
2. Gehen Sie in das **Einstellungen**-Menü des Geräts und kontrollieren Sie, ob **NFC eingeschaltet** ist (einmaliger Schritt).
3. Schalten Sie den Survival Scout ein.
4. Berühren und halten Sie Ihr Gerät kurz zum NFC-Logo am Seitenteil des Survival Scout.
5. Folgen Sie den Anweisungen zum Koppeln, die auf Ihrem Telefon angezeigt werden. Wenn ein Passcode erforderlich ist, geben Sie **0000** ein.
6. Stoßen Sie Ihr Gerät leicht gegen das "N"-Logo, um die Verbindung zu trennen.

Verwendung der Aux-Eingänge

Verbinden Sie Ihren iPod, iPod touch, Ihr iPhone, smartphone, MP3-Player oder ein ähnliches Gerät mit dem Aux-Eingang. Passen Sie die Lautstärke auf Ihrem Quellgerät an und stellen Sie dann am Survival Scout die Gesamtlautstärke mit dem **Lautstärkeregler** ein.

Verwendung des Radios

1. Schalten Sie das Radio mit dem **Radiowahlschalter** ein, um FM, AM, Kurzwelle (SW) oder den Wettersender (WB) auszuwählen. Eine Anzeige im Display leuchtet auf, um das aktuell ausgewählte Funkband anzuzeigen.
2. Mit den Tasten **Tune/Track** (-/+) können Sie nach einem Radiosender suchen. Um zu "suchen" (also zum nächsten verfügbaren Sender zu springen), halten Sie eine dieser Tune-Tasten einige Sekunden lang gedrückt, bis die Suche nach einem Sender beginnt. Das Gerät wird sich an die zuletzt gespielte Station erinnern und die Wiedergabe dieser Station aufnehmen, wenn Sie das Gerät aus- und wieder einschalten.

Presets speichern:

1. Drücken Sie die **Radiowahlschalter**, um FM, AM, oder SW auszuwählen und verwenden die Tasten **Tune/Track** (-/+), um einen Radiosender auszuwählen, den Sie auf ein Preset speichern möchten.
2. Halten Sie **Wiedergabe/Pause** 3 Sekunden lang gedrückt. Eine Preset-Nummer wird am Bildschirm angezeigt.
3. Verwenden Sie die Tasten -/+, um auszuwählen, auf welches Preset Sie speichern möchten.
4. Drücken Sie **Wiedergabe/Pause**, um zu bestätigen. "SAVE" (speichern) wird am Bildschirm angezeigt.

Auswählen von Presets:

Drücken Sie bei eingeschaltetem Radio auf **Wiedergabe/Pause**, um die gespeicherten Voreinstellungen durchzugehen.

Wettersender

Die Wettersender erhalten kontinuierlich lokale Wetterberichte, die vom nationalen Wetterdienst in Ihrer Region ausgegeben werden. Darüber hinaus erhalten diese Kanäle Warnmeldungen für gefährliche Unwetter und Wetterwarnungen, sowie zivile Notfälle, öffentliche Sicherheitshinweise und andere Hinweise.

So legen Sie den Warnmodus fest:

1. Schalten Sie das Radio mit dem **Radiowahlschalter** ein und wählen Sie Wettersender (WB).
2. Verwenden Sie die Tasten **Tune/Track** (-/+), um die Wettersender für Ihre Region auszuwählen. Die verfügbaren Wettersender sind wie folgt:

| Kanal | 1 | 2 | 3 | 4 | 5 | 6 | 7 |
|-------------------|---------|---------|---------|---------|---------|---------|---------|
| Frequenz (in MHz) | 162,400 | 162,425 | 162,450 | 162,475 | 162,500 | 162,525 | 162,550 |

Hinweis: Für Links, die Ihnen dabei helfen, die richtige Frequenz für lokale Wetterberichte und Warnungen zu finden, besuchen Sie die Survival Scout Produktseite bei ionaudio.com.

3. Halten Sie den **Radiowahlschalter** 3 Sekunden lang gedrückt.
4. Das **Wetterwarnsymbol** erscheint im Display, um anzuzeigen, dass der Alarmmodus aktiv ist. Das Display wechselt darüber hinaus in einen gedimmten Zustand. Wenn eine Warnung für Ihren Bereich empfangen wird, wird Survival Scout eingeschaltet und beginnt automatisch zu senden.

Hinweis: Wenn möglich, sollte der Survival Scout mit dem Netzadapter versorgt werden, wenn der Warnmodus verwendet wird.

Aufladen

Solarpanel

Um das Solarpanel zum Aufladen des Survival Scout zu nutzen, stellen Sie den Lautsprecher möglichst in direktes Sonnenlicht. Es kann bis zu 40 Stunden dauern, um die Batterie mit dem Solarpanel vollständig aufzuladen.

Wenn Survival Scout eingeschaltet ist und das Solarpanel genügend Sonnenlicht empfängt, um den Ladevorgang zu aktivieren, wird das **Solarsymbol** aufleuchten. Wenn der Survival Scout ausgeschaltet ist, leuchtet das Solarsymbol zwar nicht auf, das Gerät wird jedoch immer noch aufgeladen.

Handkurbel

So laden Sie Survival Scout mit der Handkurbel auf:

1. Heben Sie den Griff des Survival Scouts nach oben und zur Seite.
2. Halten Sie Survival Scout mit ruhiger Hand fest und nehmen Sie den Griff der Handkurbel mit der anderen Hand.
3. Drehen Sie den Griff in einem konstanten Tempo von etwa zwei Umdrehungen pro Sekunde.
4. Wenn Survival Scout eingeschaltet ist und die Handkurbel das Gerät auflädt, leuchtet das **Handkurbelsymbol**. Wenn der Survival Scout ausgeschaltet ist, leuchtet das Handkurbelsymbol zwar nicht auf, das Gerät wird jedoch immer noch aufgeladen.

Wenn Sie Ihr Survival Scout 10 Minuten lang mit der Handkurbel aufladen, ergibt dies 1% der Batterielebensdauer. Es kann bis zu 16 Stunden dauern, um die Batterie mit der Handkurbel vollständig aufzuladen.

Sie können die Handkurbel verwenden, um den Akku gleichzeitig mit dem Solarpanel aufzuladen. Bei gleichzeitiger Verwendung von Handkurbel und Solarpanel kann es bis zu 11 Stunden dauern, bis der Akku aufgeladen ist.

Steckdose

Um den Survival Scout über eine Steckdose aufzuladen, verbinden Sie den mitgelieferten **Netzadapter** (15 VDC, 2,8 A, Mitte-positiv) mit dem Netzanschluss und stecken ihn in eine Steckdose. Es kann bis zu 5,5 Stunden dauern, um die Batterie über das Netzteil vollständig aufzuladen.

Wenn Survival Scout eingeschaltet ist und an die Stromversorgung angeschlossen ist, leuchtet das **Blitz-Symbol** auf. Die Bewegungen der **Akkustandanzeige** signalisieren, dass der Akku geladen wird.

Fehlerbehebung

Der Ton klingt verzerrt: Reduzieren Sie die Lautstärke Ihrer Tonquelle oder Ihres Musikinstruments. Versuchen Sie auch, die Gesamtlautstärke des Survival Scout zu reduzieren.

Zu viel Bass: Versuchen Sie den Ton oder den EQ-Regler Ihrer Tonquelle anzupassen, um den Bass zu verringern. Dies ermöglicht Ihnen, die Musik lauter abzuspielen, bevor der Klang verzerrt.

Schlechter AM-Empfang: Wenn Sie ein Bluetooth-Gerät angeschlossen haben, trennen Sie das Bluetooth-Gerät, um AM-Radio zu hören. Um den AM-Empfang einzustellen, bewegen Sie die gesamte Einheit.

Wenn das Mikrofon im Vergleich zur Musik zu leise eingestellt ist: Verringern Sie die Musikk Lautstärke Ihrer Quelle.

Bei der Verwendung von Mikrofonen tritt einer hoher Pfeifton auf: Hier handelt es sich wahrscheinlich um einen Rückkopplungseffekt. Richten Sie es so ein, dass die Mikrofone vom Lautsprecher wegzeigen.

Wenn Sie keine Musik von einem USB-Stick spielen können: Die USB-Anschlüsse sind nur zum Aufladen von USB-Geräten.

Wenn das Gerät nicht aufgeladen wird: Stellen Sie sicher, dass das Netzteil ordnungsgemäß mit dem Netzeingang und einer Stromquelle verbunden ist. Wenn Sie das Solarpanel zum Aufladen verwenden, vergewissern Sie sich, dass das Gerät direktem Sonnenlicht ausgesetzt ist und das **Solarsymbol** leuchtet. Wenn Sie die Handkurbel zum Aufladen verwenden, stellen Sie sicher, dass das **Handkurbel-Symbol** leuchtet.

CE **Allgemeinhinweis zur Konformitätserklärung:** Hiermit erklären wir, daß sich das Gerät **Survival Scout** in Übereinstimmung mit den grundlegenden Anforderungen der europäischen Richtlinie 1999/5/EG befindet. Die vollständige EG Konformitätserklärung kann unter folgender Adresse angefordert werden:

inMusic GmbH
Harkortstrasse 12-32
40880 Ratingen
German

Snelstartgids (Nederlands)

Introductie

Inhoud van de doos

| | |
|-----------------------------|-------------------------------------|
| Survival Scout | Snelstartgids |
| Stroomadapter | Veiligheids-en garantie handleiding |
| Stereo aux-kabel van 3,5 mm | |

Ondersteuning

Voor de laatste informatie over dit product (systeemvereisten, compatibiliteitsinformatie, enz.) en productregistratie, bezoek ionaudio.com.

Voor aanvullende productondersteuning naar ionaudio.com/support.

Herlaadbare accu's

Oplaadbare loodzwavelzuuraccu's zijn van hetzelfde type dat gebruikt wordt in auto's. Zoals met de accu van uw auto wordt de levensduur ervan in grote mate bepaald door uw gebruik ervan. Bij een juist gebruik en behandeling kan een loodzwavelzuuraccu jaren meegaan. Hier zijn wat aanbevelingen voor het zo lang mogelijk laten meegaan van de interne accu.

- Algemeen gebruik** Laad de accu voor gebruik volledig op.
Laad de accu na elk gebruik volledig op.
- Opslag** Voor een optimale levensduur mag u de accu niet in een te warme (meer dan 32 °C / 90 °F) of te koude omgeving (minder dan 0 °C / 32 °F) bewaren.
Uw geluidssysteem mag aangesloten blijven. Dat zal de accu niet overladen.
Als u het accuniveau laag houdt en 6 maanden lang niet herlaadt, dan kan zich een permanent capaciteitsverlies voordoen.
- Herstellen** Als de accu niet wil opladen, neem dan contact op met ION Audio op ionaudio.com.
- Verwijdering** Breng de accu naar een recyclagecentrum of verwijder hem conform de plaatselijke wetgeving.



Belangrijk!

Waarschuwingen inzake verlengsnoer:

- Houd alle elektrische kabels in goede staat. Gebruik geen versleten, ontblote of gerafelde kabels. Deze kunnen een elektrische schok veroorzaken wanneer de Survival Scout is aangesloten op een stopcontact.
- Als u een verlengkabel moet gebruiken, gebruik dan alleen maar geaarde verlengkabels die geschikt zijn voor gebruik buitenshuis en apparatuur met een derde aardingsdraad.
- Vermijd het gebruik van overmatig lange verlengsnoeren. Deze kunnen een spanningsval veroorzaken en het snoer doen oververhitten.
- Bij het gebruik van lange verlengkabels met Survival Scout zorgt u ervoor een zwaarder snoer te gebruiken, met een bredere diameter, om de spanningsval te reduceren (hoe langer en dunner het snoer, hoe groter de spanningsval).

Gebruik buitenshuis en onderhoud

Hoewel de Survival Scout waterbestendig is en bestand is tegen opspattend water, vragen wij u toch de tips hieronder te volgen voor optimale prestaties van uw Survival Scout:

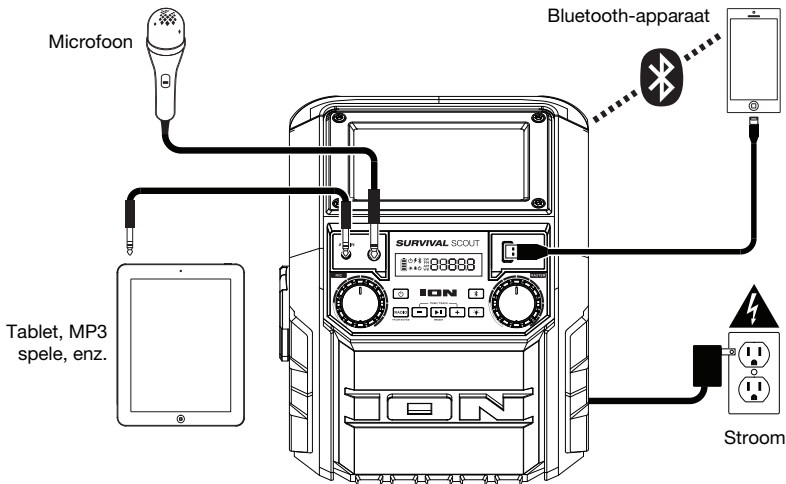
- Survival Scout mag buiten alleen worden gebruikt met stopcontacten of verlengsnoeren die zijn goedgekeurd voor gebruik buitenshuis.
- Breng de Survival Scout naar binnen bij slecht weer.
- De Survival Scout niet plaatsen in stilstaand water.
- Sluit in een natte omgeving de stroomadapter niet aan op de Survival Scout. Controleer of de stroomadapter-ingang, de stroomadapter en het stopcontact volledig droog zijn voordat u verbinding maakt.
- **Waarschuwing:** Bewaar alle apparaten die niet waterbestendig zijn (telefoons, muziekspelers, enz.) op een droge plaats waar ze niet kunnen worden aangetast door water en een risico van elektrische schokken kunnen veroorzaken.

Snelstart

1. Zorg ervoor dat de doos alle voorwerpen bevat, opgesomd in [Inhoud van de doos](#) aan het begin van deze gids.
2. Lees de *veiligheid-en garantie handleiding* vooraleer het product te gebruiken.
3. Zorg ervoor dat de accu voor het eerste gebruik volledig is opgeladen, voor een maximale levensduur van de accu.
4. Zet de hoofdvolumeknop van de Survival Scout op de laagste stand.
5. Verbind uw muziekspeler met een audiokabel of via Bluetooth (zie voor meer details [Verbinding maken met een Bluetooth-apparaat](#)).
6. Pas het volume op de muziekspeler en de Survival Scout aan naar behoefte.
7. Schakel de Survival Scout uit wanneer u hem niet gebruikt.

Aansluitschema

Artikelen die niet zijn opgesomd in [Introductie](#) > [Inhoud van de doos](#) worden afzonderlijk verkocht.

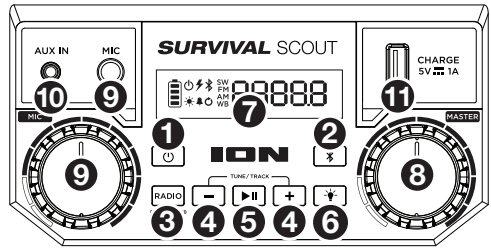


Kenmerken

1. **Stroom-knop:** Schakelt de Survival Scout in of uit. Opmerking: Wanneer de Survival Scout aangesloten is op een vermogensbron, hoeft deze niet ingeschakeld te zijn om de batterij te laten opladen. Wanneer het apparaat is ingeschakeld, verschijnt op het scherm de **stroomindicator**.
2. **Bluetooth-knop:** Druk op de knop Bluetooth verbreken om een gekoppeld Bluetooth-apparaat.
3. **Radioselectieknop:** Deze knop zet de radio op FM, AM, korte golf (SW), weerfrequentie (WB) of zet de radio uit.
4. **Zenderkeuze-/nummernoppen (-/+):** Tik op deze knoppen om af te stemmen op een radiozender of naar het vorige/volgende nummer te gaan op een via Bluetooth aangesloten apparaat. Druk om een zender te zoeken (naar de volgende beschikbare zender gaan) een van beide knoppen enkele seconden in, tot het apparaat op zoek gaat naar een zender. Het apparaat onthoudt bij het uitschakelen de laatste zender die speelde en start die zender weer op wanneer het apparaat opnieuw wordt aangezet.
5. **Afspelen/pauzeren/voorkeuzezenders:** Indrukken om een nummer vanaf een verbonden Bluetooth-apparaat af te spelen of te pauzeren. In Radio-modus Deze knop indrukken en loslaten om het vorige opgeslagen radiostation te selecteren. Zie het hoofdstuk [De radio gebruiken](#) voor meer details over het opslaan en oproepen van voorkeuzezenders.
6. **Verlichtingsmodus-knop:** Druk deze knop in om de helderheidsinstellingen voor de lichten aan te passen: **LED hoog**, **LED laag** en **uit**.
7. **Scherm:** Geeft het huidige radiostation, de accu-, en Bluetoothstatus. Zie [Scherm](#) voor meer details.
8. **Hoofdvolumeregeling:** Hiermee past u het maximale volume van de hoofdmix in de luidspreker aan. Tot de hoofdmix behoren de microfooningang, de aux-ingang, de Radio en het geluidssignaal van een gekoppeld Bluetooth-apparaat.
9. **Microfoon met volume-besturing (6,35 mm):** Sluit op deze ingang een 6,35 mm (1/4") microfoon aan.
10. **Aux-ingang:** Deze stereo 3,5 mm (1/8") ingang kan worden gebruikt om een cd-speler, MP3-speler of andere geluidsbron te verbinden.
11. **USB-poort:** Sluit hier de oplaadkabel van uw apparaat aan om het op te laden. Opladen met USB werkt alleen als het apparaat is ingeschakeld.

Opmerking: Zet het scherm van uw apparaat in slaapstand om uw smartphone en tablet sneller op te laden.
12. **Zonnepaneel** (bovenpaneel): Plaats de Survival Scout in het zonlicht om de batterij te laden met het zonnepaneel. Zie [Opladen > Zonnepaneel](#) voor meer informatie.

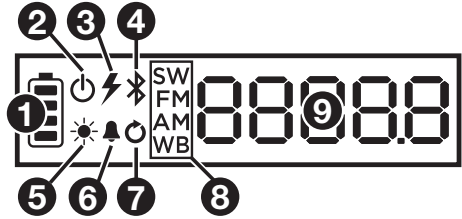
Opmerking: Het laadvermogen hangt af van de hoeveelheid zonlicht die het zonnepaneel ontvangt. Het apparaat laadt trager op als het indirect zonlicht ontvangt. Plaats de Survival Scout in direct zonlicht voor optimale resultaten.
13. **Handslinger** (zijpaneel): Draai aan deze slinger om de Survival Scout op te laden. Zie [Opladen > Handslinger](#) voor meer informatie.



14. **NFC** (zijpaneel): Houd voor koppeling uw apparaat met actieve NFC-functie naast het NFC-logo. Zie het hoofdstuk [Een Bluetooth-apparaat koppelen met NFC](#) voor meer details.
15. **Ingang voor stroomadapter** (achterpaneel): Sluit de meegeleverde stroomadapter hieraan om het apparaat op te laden. Wanneer de stroomadapter is aangesloten, begint het **bliksempictogram** te branden. Let op: als de stroomadapter is aangesloten, blijft de batterij opladen wanneer het apparaat in gebruik is.

Sherm

1. **Oplaadindicator:** Wanneer de stroomadapter is aangesloten, tonen de bewegende batterijsegmenten in de oplaadindicator dat de accu wordt opgeladen. Van zodra hij volledig is opgeladen, gaan alle batterijsegmenten branden, zonder te knipperen. Wanneer de stroomadapter wordt losgekoppeld, geven de segmenten het accuniveau weer.



- Als u binnen de 60 seconden geen knop op het voorpaneel indrukt, dan gaat de batterij-indicator uit (om energie te besparen). De batterij-indicator gaat opnieuw aan wanneer een knop wordt ingedrukt. Wanneer de batterij-indicator het laatste segment van het batterijpictogram bereikt, gaat de batterij-indicator opnieuw aan.
2. **Stroomindicator:** De stroomindicator gaat branden wanneer Survival Scout wordt ingeschakeld. Dit stroomindicator zal niet worden verlicht wanneer Survival Scout is uitgeschakeld.
 3. **Bliksempictogram:** Wanneer de stroomadapter op het stopcontact is aangesloten, begint het pictogram met de bliksem te branden.
 4. **Bluetooth-pictogram:** Het Bluetooth-pictogram brandt niet wanneer de Survival Scout voor het eerst wordt aangezet (tenzij hij voorheen aan een apparaat was gekoppeld). Het Bluetooth-pictogram blijft branden wanneer de Survival Scout is gekoppeld aan een apparaat.
 5. **Zonpictogram:** Wanneer het zonnepaneel voldoende zonlicht ontvangt om het laadproces te activeren, gaat het zonpictogram branden.

Opmerking: Het zonpictogram verschijnt alleen wanneer het apparaat wordt ingeschakeld. Het apparaat wordt echter ook opgeladen wanneer het uitstaat.
 6. **Pictogram weeralarm:** Het pictogram voor weeralarm gaat branden wanneer de radio zich in alarmmodus bevindt. Zie [De radio gebruiken > Weerfrequentie](#) voor meer informatie.
 7. **Slingerpictogram:** Wanneer aan de handslinger wordt gedraaid, gaat het slingerpictogram branden om aan te geven dat het apparaat wordt opgeladen.

Opmerking: Het slingerpictogram verschijnt alleen wanneer het apparaat is ingeschakeld. Het apparaat wordt echter ook opgeladen wanneer het uitstaat.
 8. **FM/AM/SW/WB:** Deze pictogrammen geven weer welke radiofrequentie momenteel in gebruik is.
 9. **Radiofrequentie-indicator:** Geeft de huidige radiofrequentie weer.

Operatie

Verbinding maken met een Bluetooth-apparaat

1. Zet uw Bluetooth-apparaat aan.
2. Zet de Survival Scout aan met de **Stroom-knop**. Als u eerder verbinding hebt gemaakt met een ander Bluetooth-apparaat, zal de Survival Scout opnieuw verbinding maken.
3. Navigeer naar het instelscherm van uw Bluetooth-apparaat, zoek naar **Survival Scout** en maak verbinding.

Opmerking: Als uw apparaat een wachtwoord of PIN-code nodig heeft, voer dan "0000" in.

4. Na "koppeling" gaat de **Bluetooth-pictogram** ononderbroken branden.

Als uw Bluetooth-apparaat geen verbinding kan maken met de Survival Scout, druk dan op de **Bluetooth-knop** op de Survival Scout om de vorige Bluetooth-verbindingen te verbreken en de Bluetooth-module opnieuw in te stellen.

5. Begin het afspelen op uw Bluetooth-apparaat.
6. Druk op de Bluetooth-knop om een verbinding met een Bluetooth-apparaat te verbreken en verbinding te maken met een ander Bluetooth-apparaat. Herhaal stap 3.

Opmerking: Als u problemen ondervindt bij het koppelen van uw apparaat of het afspelen van muziek, update dan het besturingssysteem van uw apparaat.

Een Bluetooth-apparaat koppelen met NFC

NFC (near-field communication) maakt gegevensuitwisseling tussen apparaten mogelijk, zoals koppeling, door ze zachtjes tegen elkaar te stoten. Raadpleeg de handleiding van uw apparaat om te zien of deze functie wordt ondersteund.

NFC gebruiken Fom te koppelen met de Survival Scout:

1. Om NFC te gebruiken, moet uw apparaat zijn ingeschakeld en ontgrendeld.
2. Ga naar het menu **Instellingen** van uw apparaat en controleer of **NFC Aanstaat** (eenmalige handeling).
3. Zet de Survival Scout aan.
4. Met uw apparaat kort het NFC-logo op het zijpaneel van de Survival Scout aanraken en het ertegen houden.
5. Volg de koppelingsinstructies die op uw telefoon verschijnen. Als een wachtwoord wordt gevraagd, voer dan **0000** in.
6. Stoot zachtjes uw apparaat tegen het NFC-logo om te ontkoppelen.

De Aux-ingang gebruiken

Sluit uw iPod, iPod touch, iPhone, smartphone, MP3-speler of vergelijkbaar apparaat aan op de Aux-ingang. Pas het uitgangsvolume op uw bronapparaat aan en regel daarna het algemene volume met de **Hoofdvolumeregeling** op de Survival Scout.

De radio gebruiken

1. Zet de radio aan met behulp van de **radioselectieknop** om FM, AM, korte golf (SW) of weerfrequentie (WB) te selecteren. Op het scherm gaat een indicator branden die de momenteel geselecteerde frequentieband weergeeft.
2. Gebruik de toetsen **Tune/Track (-/+)** om een radiozender te zoeken. Om te "zoeken" (naar de volgende storingsvrije zender te springen): de Tune-knop enkele seconden indrukken, tot hij naar een zender begint te zoeken. Het apparaat onthoudt de laatste zender die u hebt beluisterd en begint opnieuw met deze zender wanneer u het apparaat aan en uit hebt gezet.

Een voorkeuzezender opslaan:

1. Druk op de **radioselectieknop** om FM, AM of SW te selecteren en selecteer met de toetsen **Tune/Track (-/+)** een radiozender die u onder een voorkeuzenummer wilt opslaan.
2. De toets **Afspelen/Onderbreken** 3 seconden lang indrukken. Op het scherm verschijnt een voorkeuzenummer.
3. Gebruik de toetsen **Tune/Track (-/+)** om het nummer te selecteren waaronder u de zender wilt opslaan.
4. Druk op **Afspelen/Onderbreken** om te bevestigen. Op het scherm verschijnt "**SAVE**" (opslaan).

Een voorkeuzezender selecteren:

Druk wanneer de radio speelt op **Afspelen/Onderbreken** om de opgeslagen voorkeuzezenders te doorlopen.

Weerfrequentie

De weerfrequentie ontvangt permanent plaatselijke weerberichten van de nationale weerdienst in uw regio. Bovendien ontvangen deze zenders alarmberichten en waarschuwingen bij gevaarlijk weer en bij rampen, openbare veiligheidsberichten en andere adviezen.

De alarmmodus instellen:

1. Zet de radio aan met behulp van de **radioselectieknop** en selecteer weerfrequentie (WB).
2. Gebruik de toetsen **Tune/Track (-/+)** om de weerfrequentie voor uw regio te kiezen. Hieronder vindt u de beschikbare weerfrequenties:

| Kanaal | 1 | 2 | 3 | 4 | 5 | 6 | 7 |
|---------------------|---------|---------|---------|---------|---------|---------|---------|
| Frequentie (in MHz) | 162,400 | 162,425 | 162,450 | 162,475 | 162,500 | 162,525 | 162,550 |

Opmerking: Bezoek de productpagina van de Survival Scout op ionaudio.com voor koppelingen die u helpen de juiste frequentie te vinden om de plaatselijke weerberichten en -waarschuwingen te beluisteren.

3. De **radioselectieknop** 3 seconden lang indrukken en vasthouden.
4. Het **weeralarmpictogram** verschijnt op het scherm om te tonen dat de alarmmodus actief is. Het scherm verduistert. Als de Survival Scout een alarm voor uw regio ontvangt, treedt hij in werking en zendt hij automatisch dit bericht uit.

Opmerking: Wij raden u aan om waar mogelijk de Survival Scout aan te sluiten op de stroomadapter als u alarmmodus gebruikt.

Opladen

Zonnepaneel

Als u het zonnepaneel gebruikt om de Survival Scout op te laden, plaats de luidspreker dan voor optimale resultaten in direct zonlicht. Het kan tot 40 uur duren om de batterij volledig op te laden met het zonnepaneel.

Als u de Survival Scout aanzet en het zonnepaneel voldoende zonlicht ontvangt om te beginnen met opladen, begint het **zonpictogram** te branden. Als u de Survival Scout uitzet, gaat het zonpictogram niet branden, maar blijft het apparaat opladen.

Handslinger

De handslinger gebruiken om de Survival Scout op te laden:

1. De slinger optillen en uit de zijkant van de Survival Scout trekken.
2. Houd de Survival Scout stevig vast met de ene hand en neem de hendel van de handslinger in de andere.
3. Draai de hendel met een constante snelheid, ongeveer twee omwentelingen per seconde.
4. Als de Survival Scout is ingeschakeld en u de Survival Scout oplaadt met de handslinger, gaat het **slingerpictogram** branden. Als u de Survival Scout uitzet, blijft het slingerpictogram niet branden, maar blijft het apparaat wel opladen.

De Survival Scout 10 minuten lang opladen met de handslinger verhoogt de batterijduur met 1%. De batterij volledig opnieuw opladen met de handslinger kan 16 uur duren.

U kunt de handslinger gebruiken om de batterij op te laden terwijl het zonnepaneel werkt. De batterij volledig opnieuw opladen met de handslinger en het zonnepaneel tegelijkertijd kan 11 uur duren.

Stopcontact

Om de Survival Scout op te laden via een standaard stopcontact, steekt u de meegeleverde **stroomadapter** (15 VDC, 2,8 A, midden-positief) in de ingang van de **stroomadapter** en sluit u die aan op een stopcontact. De batterij volledig opnieuw opladen met de stroomadapter kan 5,5 uur duren.

Wanneer de Survival Scout is ingeschakeld en aangesloten op een stopcontact, gaat het **bliksempictogram** branden. Beweging op de **batterijniveau-indicator** toont of de batterij aan het opladen is.

Problemen oplossen

Het geluid is vervormd: Probeer het volumeniveau van uw geluidsbron of muziekinstrument te verlagen. Probeer ook het algemeen volume van de Survival Scout te verlagen.

Er zijn teveel bassen: Probeer op de toon- of EQ-bedieningsknoppen aan uw geluidsbron het niveau van de lage tonen te verlagen. Dit stelt u in staat de muziek luider te zetten vooraleer “afgeknipte” (vervormde) klanken optreden.

Bij slechte AM-ontvangst: Wanneer u over een gekoppeld Bluetooth-apparaat beschikt: ontkoppel het Bluetooth-apparaat om naar AM-radio te luisteren. Verplaats heel het apparaat voor het aanpassen van de AM-ontvangst.

Als u de microfoon niet kan horen boven het geluid van de muziek: Verlaag het volume aan de muziek van uw geluidsbron.

Er is een hoge fluitende pieptoon bij het gebruik van microfoons: Dit is waarschijnlijk feedback. Richt de microfoon weg van de luidspreker.

U kunt geen muziek afspelen van een USB-stick: De USB-poort is alleen geschikt om USB-apparaten op te laden.

Als het apparaat niet wordt opgeladen: Controleer of de stroomadapter naar behoren is aangesloten op de stroomingang en het stopcontact. Als u het zonnepaneel gebruikt voor het opladen: controleer of het apparaat rechtstreeks zonlicht ontvangt en of het **zonnepictogram** brandt. Als u de handslinger gebruikt om het apparaat op te laden, controleer dan of het **handslingerpictogram** brandt.

Appendix (English)

Technical Specifications

| | |
|-----------------------------------------------|------------------------------------------------------------------------------------------------------------------------|
| Output Power | 10 W (RMS) |
| Frequency Response | 75 Hz – 16 kHz |
| Bluetooth | Profiles: A2DP, AVRCP Range: Up to 100 feet / 30.5 meters * |
| Radio Frequency Range | AM: 520–1710 kHz FM: 87.5–107.9 MHz Shortwave: 2300 – 26100 kHz Weather Band: 1–7 |
| Light Type | 4 0.5 W White LEDs |
| Water Resistant Class | IPX4 |
| Battery Type | 12 V, 2.3 Ah SLA |
| Battery Life | Up to 30 hours ** |
| Charge Time | Power Adapter: Up to 5.5 hours Solar Panel: Up to 40 hours Hand Crank: Up to 16 hours |
| Charge Port | 1 USB +5 V, 1 A |
| Power Adapter | 15 VDC, 2.8 A, center-positive |
| Input Voltage | 100–240 VAC, 50/60 Hz |
| Dimensions (width x depth x height) | 8.6" x 8.0" x 9.1" 218 x 203 x 231 mm |
| Weight | 6.75 lbs. 3.1 kg |

Specifications are subject to change without notice.

* Bluetooth range is affected by walls, obstructions, and movement. For optimal performance, place the product in the center of the room so it is unobstructed by walls, furniture, etc.

** Battery life may vary based on temperature, age, and volume usage of product.

Trademarks & Licenses

ION Audio is a trademark of ION Audio, LLC, registered in the U.S. and other countries.

The *Bluetooth* word mark and logos are owned by the Bluetooth SIG, Inc. and any use of such marks by ION Audio is under license.

iPad, iPhone, and iPod touch are trademarks or service marks of Apple Inc., registered in the U.S. and other countries.

All other product names, company names, trademarks, or trade names are those of their respective owners.

ionaudio.com