

ION[®]

PROJECTOR PLUS

Quickstart Guide	English (3 – 15)
Guía de inicio rápido	Español (16 – 28)
Guide d'utilisation rapide	Français (29 – 41)
Appendix	English (43)

Quickstart Guide (English)

Introduction

Thank you for purchasing the Projector Plus. At ION, your entertainment is as important to us as it is to you. That's why we design our products with one thing in mind—to make your life more fun and more convenient.

Box Contents

Projector Plus
Microphone with Cable
Power Adapter
Remote Control
Quickstart Guide
Safety & Warranty Manual

Support

For the latest information about this product (documentation, technical specifications, system requirements, compatibility information, etc.) and product registration, visit ionaudio.com.

For additional product support, visit ionaudio.com/support.

Rechargeable Batteries

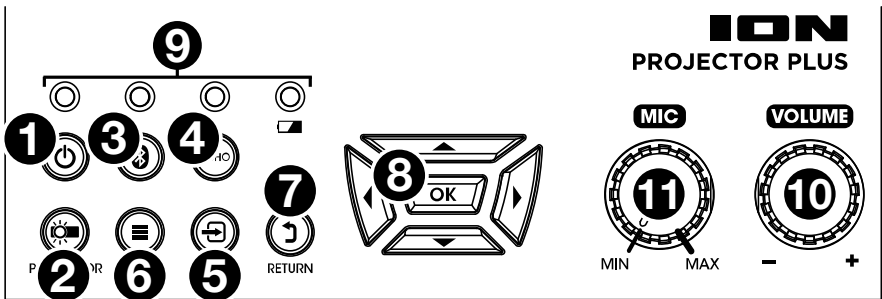
Note: Before you first use the product, please fully charge the battery. Your unit was purposely shipped with a reduced battery charge to ensure safe transit. Use the included power adapter to connect the unit to a power outlet and let it charge. This helps ensure the longest life for your battery.

Here are some recommendations for getting the longest life from the internal battery.

- General Usage** Fully charge the battery before using it.
Charge the battery completely after each use.
- Storage** For best product longevity, do not store at exceedingly hot (greater than 90°F/32°C) or exceedingly cold (less than 32°F/0°C) temperatures.
It is acceptable to leave your sound system plugged in. This will not overcharge the battery.
If you leave the battery level low and do not charge it for 3 months, it may permanently lose capacity.
- Repair** If the battery fails to charge, check your fuse near the power cable input. If your fuse is intact and it still will not charge, contact ION Audio at ionaudio.com.
- Disposal** Bring the unit to a recycling center or dispose of in accordance with local ordinances.

Features

Top Panel



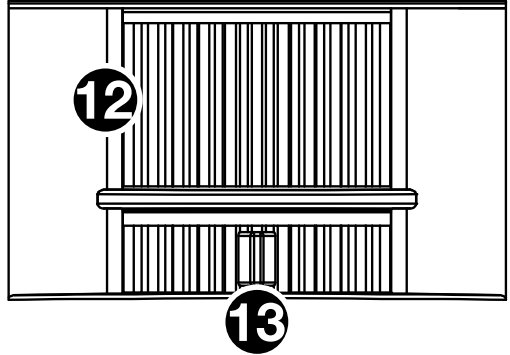
1. **Power Button:** After powering on Projector Plus (via the **Power Switch** on the side panel), press this button in order to enter or exit standby mode. In standby mode, Projector Plus will not be fully turned off but it will save battery life.

Note: When Projector Plus is out of standby mode and fully powered on, the speaker will work, but you will need to use the **Projector On/Off button** to turn on the projector.

2. **Projector On/Off:** Press this button to turn the projector on or off.

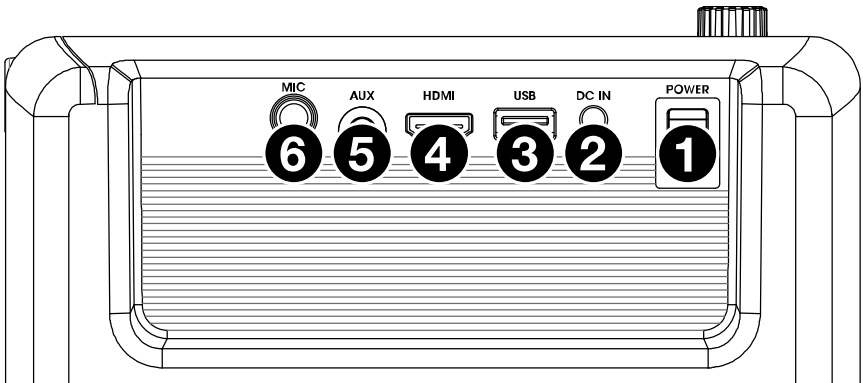
Tip: This feature can be useful for saving battery life. If you are only using Projector Plus to listen to music from a Bluetooth or auxiliary device, use this button to turn the projector off and save Projector Plus's battery.
3. **Bluetooth Button:** Press and hold this button to make Projector Plus unpair from a connected Bluetooth device and automatically search for another Bluetooth device to pair with. The **Bluetooth button** is only for unpairing connected Bluetooth devices, since Projector Plus is always in pairing mode.
4. **Echo Button:** Use this button to turn the **Mic Input's** echo effect on or off.
5. **Source Button:** Press this button to determine the source of video played by Projector Plus: the **USB Port** or **HDMI Port**.
6. **Menu Button:** Press this button to access the projector's picture settings. Then use the **Arrow buttons** and **OK button** on the **Navigation Pad** to adjust the settings.
7. **Return:** When using the projector, press this button to go back one page.
8. **Navigation Pad:** Use the buttons here to navigate pages and select/adjust settings for your projector. Use the **Arrow buttons** to highlight/edit different options and the **OK button** to make a selection.
9. **Status LEDs:** From left to right, these four LEDs are the:
 - **Standby LED:** This LED will be off when Projector Plus is powered off, lit red when Projector Plus is powered on, and lit green when Projector Plus is powered on but in standby mode.
 - **Bluetooth LED:** This LED will be lit blue when Projector Plus is paired with a Bluetooth audio source.
 - **Echo LED:** This LED will be lit red when the mic echo effect is turned on.
 - **Battery LED:** This LED will blink red when Projector Plus has a low battery. It will be lit solid when Projector Plus is connected to power and charging (solid red when the unit is still charging; green when the unit is fully charged).

10. **Volume Knob:** Turn this knob to adjust the overall output volume of the loudspeaker.
11. **Mic Knob:** Turn this knob to adjust the input volume of the **Mic Input**.
12. **Focus Ring:** Rotate this wheel left and right in order to get a clear picture from the projector. How you should set the **Focus Ring** will depend on the distance between Projector Plus and the projection screen.



13. **Keystone Adjustment:** If Projector Plus is not sitting on a level surface, use this lever in order to tilt the projector lens so that it is perpendicular to the projection screen.

Side Panel



1. **Power Switch:** Turns Projector Plus on or off.
2. **DC In:** Insert the included power adapter here to charge the unit.
3. **USB Port:** Connect your USB drive here to load video, photo, music, and text files.
4. **HDMI Port:** Connect a computer, DVD player, or other device to this input in order to project video.
5. **Aux Input (1/8" / 3.5 mm):** Connect an MP3 Player or other audio source to this 1/8" (3.5 mm) stereo auxiliary input.
6. **Mic Input (1/4" / 6.35 mm):** Connect the included microphone to this 1/4" (6.35 mm) input, if you would like to use a microphone while listening to music and/or projecting video. The microphone audio will be sent out of Projector Plus's speaker. Control the volume of your microphone using the **Mic** knob.

Remote Control

- **Power** (⏻): Powers Projector Plus on and off.
- **PROJ**: Turns the projector on and off.
- **Previous** (⏮): Skips to the previous USB file.
- **Next** (⏭): Skips to the next USB file.
- **Rewind** (⏪): Rewinds the USB music or movie file.
- **Fast-forward** (⏩): Fast-forwards the USB music or movie file.
- **Play/Pause** (⏸): Plays/pauses the USB slideshow, movie file, or music file.
- **Vol-**: Decreases the volume of Projector Plus's speaker.
- **Vol+**: Increases the volume of Projector Plus's speaker.
- **Flip**: Flips the projector screen around.
- **Source**: Opens the menu for selecting the projector source and toggles between the two options: **HDMI** or **USB Media Player**.
- **Zoom**: Toggles through the projector's zoom options.
- **Navigation Pad**: Use the buttons here to navigate pages and select/adjust settings on your projector.
- **Exit button**: When using the projector, press this button to go back one page.
- **Menu**: Press this button to access the projector's picture settings.
- **Number buttons**: If entering a "Go Time" for a USB music or movie file, use these buttons to enter the time.
- **Echo**: Use this knob to turn the **Mic Input's** echo effect on or off.
- **Bluetooth** (📶): Press and hold this button to make Projector Plus unpair from a connected Bluetooth device and automatically search for another Bluetooth device to pair with.

Setup

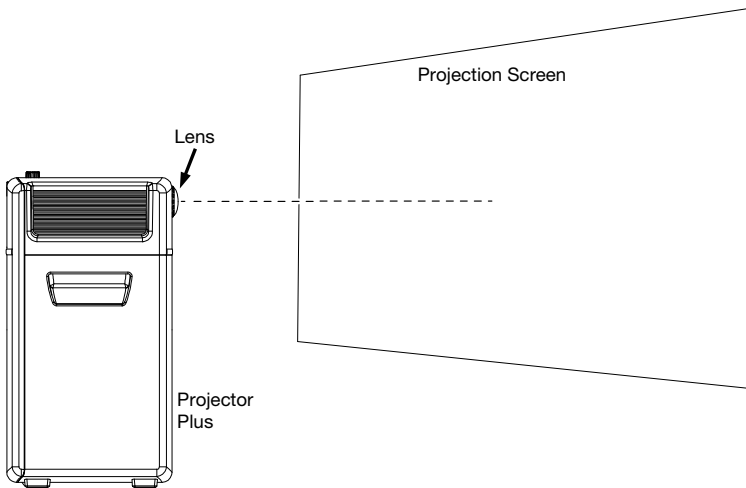
Getting the Projector Ready

To set up the projector:

1. Power up the projector by flipping Projector Plus's **Power Switch** to the on position and then pressing the **Projector button**.
2. Position Projector Plus in front of your projection screen, making sure that the lens is facing the screen. The closer that Projector Plus is to the projection screen, the smaller the projected video will be. You'll get a clear picture when the size of the projected video is between 2.5 feet and 12.5 feet.

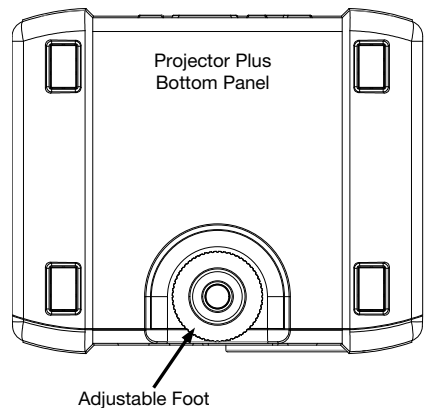
Note: The lens should be at the same height as the center of the projected video (as pictured below).

3. Focus the lens as needed by turning the **Focus Ring** until you achieve a clear picture.



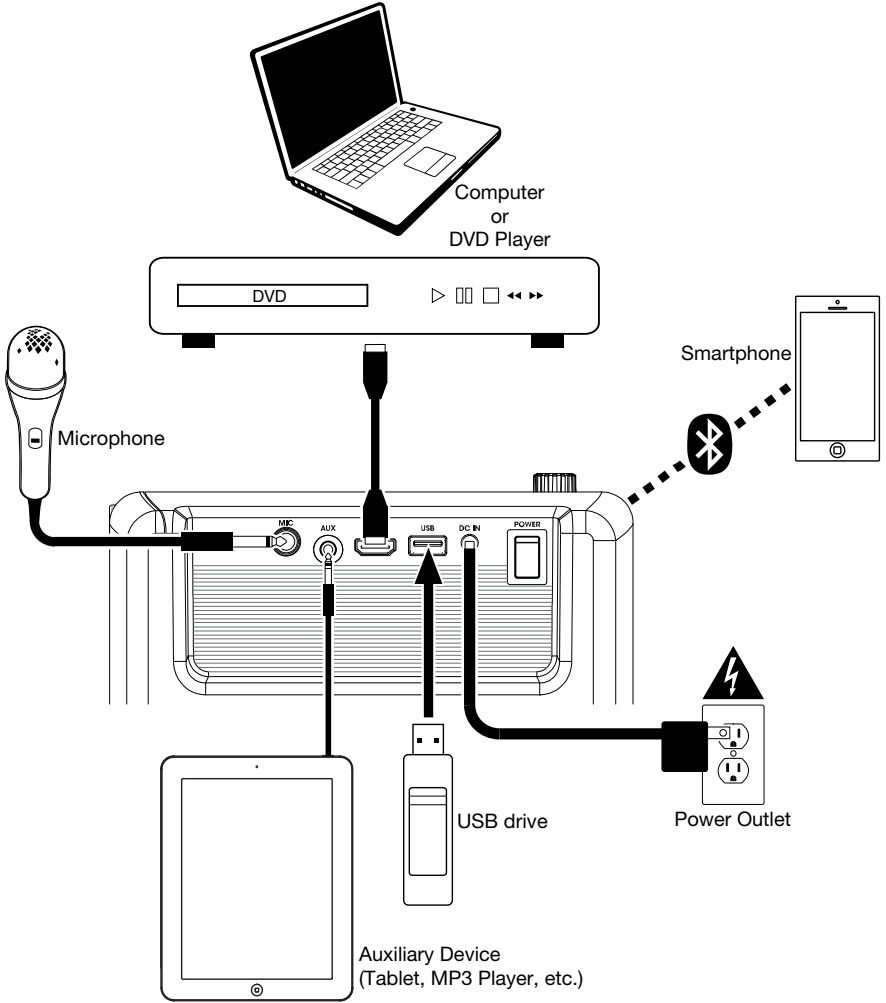
Some tips on using the projector:

- The projector will work best when used in a dimly lit environment.
- White is the ideal color for the surface of the projection screen.
- The lens should be perpendicular to the projection screen. If Projector Plus is not sitting on a level surface, you can correct the angle of the lens by using the **Keystone Adjustment** or by raising/lowering the adjustable foot on the bottom of the unit.
- When you are done using the projector, fasten the included lens cap to the lens. If you are having trouble, use the **Focus Ring** to make sure that the lens is extended enough in order for the lens cap to latch onto it.



Connection Diagram

Items not listed under *Introduction > Box Contents* are sold separately.



Operation

Selecting the Projector Source

With the Projector Plus, you can project video from a device connected to the **HDMI Port** or project an image, music, video, or text file from a USB drive plugged into the **USB Port**.

Note: To see what file formats Projector Plus can read on a USB drive, see the [Appendix](#).

To turn the projector on and off, press the **Projector button** while Projector Plus is fully powered on (not in standby mode).

To select the video source for the projector:

1. Press the **Source button** while the projector is turned on, and then a menu will appear on the right side of the projector screen.
2. Press the **Source button** again to toggle between **HDMI** and **USB Media Player**. Alternatively, use the **Arrow buttons** on the **Navigation Pad** to highlight the desired option.
3. When the desired source is highlighted on the screen, press the **OK button** to confirm your selection.

If **USB Media Player** is selected as the projector source, the top left of the screen will indicate whether a USB drive is plugged in, and four icons will appear on the projection screen: Photo, Music, Movie, and Text. This is the home screen when **USB Media Player** is selected as the projector source. When viewing files on a USB drive, you can always return to the home screen by pressing the **Return button** until you reach the home screen again.

If **HDMI** is selected as the audio source, the projector will act as a live feed for the device plugged into the **HDMI Port**.

See the following sections of this manual for more details on using Projector Plus with a USB drive or with a device connected to the **HDMI Port**.

To adjust the projector's picture settings or other settings, press the **Menu button** at any time while the projector is turned on. Use the **Arrow buttons** on the **Navigation Pad** to scroll through settings and press the **OK button** to select settings.

Projecting Image Files from a USB Drive

To project images from a USB drive:

1. Plug your USB drive into the **USB Port** on Projector Plus. Select **USB Media Player** as the projector source and then access the home screen (as described in [Selecting the Projector Source](#)).
2. Use the **Arrow buttons** to highlight the Photo icon. Then press the **OK button**.
3. The projector will display the list of directories on the USB drive. Use the **Arrow buttons** to highlight the directory that contains the desired image files. Then press the **OK button** while the directory name is highlighted.
4. The projector will display the list of folders/image files within that directory. Use the **Arrow buttons** to highlight the folder that contains the desired image files. Then press the **OK button** to select that folder. If there are no folders within the directory or if the desired image files are not in any folder, skip to Step 5.
5. The projector will display a list of image files. Use the **Arrow buttons** to scroll between the images. When the image you want to display is selected, press the **OK button** to select that image.
6. The projector will display the image and begin a slideshow that starts with that image and proceeds alphabetically through the rest of the images in the currently selected folder or directory.

In order to adjust the playback of the images in the slideshow, you can use the menu at the bottom of the projector screen. If the menu does not appear automatically, press the **OK button** while an image is being displayed.

While the menu is shown, you can use the **Arrow buttons**, **OK button**, and **Return button** to navigate the following options:

- **Play/Pause:** Plays or pauses the slideshow.
- **Prev.:** Skips to the previous image in the slideshow.
- **Next:** Skips to the next image in the slideshow.
- **Stop:** Stops the slideshow and returns to the list of image files in the currently selected folder or directory.
- **Repeat:** Toggles between the repeat options. If **Repeat...** is selected, the slideshow will stop playing after all the images in the folder or directory have been displayed. If **Repeat 1** is selected, the slideshow will play the currently selected image continuously. If **Repeat All** is selected, the slideshow will cycle through all the images in the folder or directory continuously.
- **PList:** Select this option to pull up a list of the image files in the currently selected folder or directory in order to change the photo/view the slideshow playlist without having to exit the slideshow.
- **Info:** Press this button to see the specifications for the currently projected image.
- **Rotate:** Select this option to rotate the image 90 degrees.
- **ZoomI:** Select this option to zoom in.
- **ZoomO:** Select this option to zoom out.
- **Move:** If a photo is zoomed in to more than 100% of its size, use this feature to adjust the portion of the photo that is visible on the projection screen.
- **Slide:** Select this option to toggle through the slideshow transition modes.

To hide the menu from the slideshow, press the **Down Arrow button**.

To exit the slideshow, press the **Return button** at any time.

Playing Music Files from a USB Drive

To play music from a USB drive:

1. Plug your USB drive into the **USB Port** on Projector Plus. Select **USB Media Player** as the projector source and then access the home screen (as described in [Selecting the Projector Source](#)).
2. Use the **Arrow buttons** to highlight the Music icon. Then press the **OK button**.
3. The projector will display the list of directories on the USB drive. Use the **Arrow buttons** to highlight the directory that contains the desired music files. Then press the **OK button** while the directory name is highlighted.
4. The projector will display the list of folders/music files within that directory. Use the **Arrow buttons** to highlight the folder that contains the desired music files. Then press the **OK button** to select that folder. If there are no folders within the directory or if the desired music files are not in any folder, skip to Step 5.
5. The projector will display a list of music files. Use the **Arrow buttons** to scroll between the music files. As each file is highlighted, Projector Plus will begin playing a preview of the song. When the music file you want to hear is selected, press the **OK button** to select it.
6. Projector Plus will begin playing the selected music file. The song artwork and a visualizer will be displayed on the projection screen.

When the selected song finishes, Projector Plus will proceed to play the rest of the songs in the folder or directory in alphabetical order.

In order to adjust playback of the music files, you can use the menu at the bottom of the screen. If the menu does not appear automatically, press the **OK button** while a song is playing.

While the menu is shown, you can use the **Arrow buttons**, **OK button**, and **Return button** to navigate the following options:

- **Play/Pause:** Plays or pauses the music file.
- **FB:** Rewinds the music file.
- **FF:** Fast-forwards the music file.
- **Prev.:** Skips to the previous song in the folder or directory.
- **Next:** Skips to the next song in the folder or directory.
- **Stop:** Stops the playlist and returns to the list of music files in the currently selected folder or directory.
- **Set A / Set B / None:** Use this option to loop a segment of a playing music file. In order to set the start point for the loop, press the **OK button** on the **Set A** option. Then set the end point of the loop by pressing the **Set B** option. After you do this, the loop will repeat. To deactivate the loop, press the **OK button** while **None** is highlighted.
- **Mute:** Silences the music file.
- **PList:** Select this option to pull up a list of the music files in the currently selected folder or directory in order to change the song/view the list without having to stop the music.
- **Info:** Press this button to see the specifications for the current music file.
- **GoTime:** Select this option to enter a track time for Projector Plus to skip to. You can use the **Arrow buttons** or **Number buttons** on the remote to enter the time.

To hide the menu, press the **Down Arrow button**.

To return to the list of files in the folder or directory, press the **Return button** at any time.

Projecting Movie Files from a USB Drive

To play videos from a USB drive:

1. Plug your USB drive into the **USB Port** on Projector Plus. Select **USB Media Player** as the projector source and then access the home screen (as described in [Selecting the Projector Source](#)).
2. Use the **Arrow buttons** to highlight the Movie icon. Then press the **OK button**.
3. The projector will display the list of directories on the USB drive. Use the **Arrow buttons** to highlight the directory that contains the desired movie files. Then press the **OK button** while the directory name is highlighted.
4. The projector will display the list of folders/movie files within that directory. Use the **Arrow buttons** to highlight the folder that contains the desired movie files. Then press the **OK button** to select that folder. If there are no folders within the directory or if the desired movie files are not in any folder, skip to Step 5.
5. The projector will display a list of movie files. Use the **Arrow buttons** to scroll between the movie files. As each file is highlighted, Projector Plus may begin playing a preview of the highlighted video from the beginning. When the movie file you want to watch is selected, press the **OK button** to select it.
6. A pop-up will appear asking if you would like to resume the video. Select **Yes** or **No**. If you select **Yes**, the video will continue playing from the point at which the video preview left off. If you select **No**, the video will restart from the beginning. If you did not highlight the movie file long enough for a preview to start, the movie will automatically play from the beginning after you select it.

When the selected video finishes, Projector Plus will proceed to play the rest of the videos in the folder or directory in alphabetical order.

In order to adjust playback of the movie files, press the **OK button** to bring up the menu at the bottom of the screen. Then use the **Arrow buttons**, **OK button**, and **Return button** to navigate the following options:

- **Play/Pause:** Plays or pauses the video.
- **FB:** Rewinds the video.
- **FF:** Fast-forwards the video.
- **Prev.:** Skips to the previous video in the folder or directory.
- **Next:** Skips to the next video in the folder or directory.
- **Stop:** Stops playing the video and returns to the list of video files in the currently selected folder or directory.
- **Repeat:** Toggles between the repeat options. If **Repeat...** is selected, Projector Plus will stop playing videos after all the movie files in the folder have been played. If **Repeat 1** is selected, Projector Plus will play the current video continuously. If **Repeat All** is selected, Projector Plus will cycle through all the movie files in the folder or directory continuously.
- **Set A / Set B / None:** Use this option to loop a segment of the video. In order to set the start point for the loop, press the **OK button** on the **Set A** option. Then set the end point of the loop by pressing the **Set B** option. After you do this, the loop will repeat. To deactivate the loop, press the **OK button** while **None** is highlighted.
- **PList:** Select this option to pull up a list of the video files in the currently selected folder or directory in order to change the video/view the list without having to stop playback.
- **Info:** Displays the specifications for the current video.
- **SlowF:** Toggles through the slow-motion playback options.

- **StepF:** Freezes the current video and then fast-forwards the video in small increments each time you select.
- **GoTime:** Select this option to enter a video time for Projector Plus to jump to. Use the **Arrow buttons** or the **Number buttons** on the remote control to enter the time.
- **ZoomI:** Zooms in on the video.
- **ZoomO:** Zooms out on the video.
- **Aspect:** Toggles through the aspect ratio settings.
- **Move:** If a video is zoomed in to more than 100% of its size, use this feature to adjust the portion of the video that is visible on the projection screen.

To hide the menu, press the **Down Arrow button**.

To return to the list of files in the folder or directory, press the **Return button** at any time.

Projecting Text Files from a USB Drive

To view a text document from a USB drive:

1. Plug your USB drive into the **USB Port** on Projector Plus. Select **USB Media Player** as the projector source and then access the home screen (as described in [Selecting the Projector Source](#)).
2. Use the **Arrow buttons** to highlight the Text icon. Then press the **OK button**.
3. The projector will display the list of directories on the USB drive. Use the **Arrow buttons** to highlight the directory that contains the desired text files. Then press the **OK button** while the directory name is highlighted.
4. The projector will display the list of folders/text files within that directory. Use the **Arrow buttons** to highlight the folder that contains the desired text files. Then press the **OK button** to select that folder. If there are no folders within the directory or if the desired text files are not in any folder, skip to Step 5.
5. The projector will display a list of text files. Use the **Arrow buttons** to scroll between the text files. While a text file is highlighted, the projector will show a preview of the file. When the text file you want to view is selected, press the **OK button** to select it.
6. The projector will then show the text file.

In order to adjust the projection of the text files in the folder or directory, press the **OK button** to bring up the menu at the bottom of the screen. Then use the **Arrow buttons**, **OK button**, and **Return button** to navigate the following options:

- **Prev...:** Goes to the previous page in the text file.
- **Nex...:** Goes to the next page in the text file.
- **Prev.:** Skips to the previous text file in the folder or directory.
- **Next:** Skips to the next text file in the folder or directory.
- **Stop:** Exits the text file and returns to the list of files in the folder or directory.
- **PList:** Select this option to pull up a list of the text files in the currently selected folder or directory in order to change the document/view the list without having to exit the document.
- **Info:** Displays the specifications for the text file.

To hide the menu, press the **Down Arrow button**.

To return to the list of files in the folder, press the **Return button** at any time during the slideshow.

Projecting Video from a Device Connected to the HDMI Port

To play video from a device connected to the HDMI Port (such as a DVD player or computer):

1. Use an HDMI cable to connect your device to the **HDMI Port** on Projector Plus.
2. Make sure that HDMI is selected as the projector source (as described in [Selecting the Projector Source](#)).
3. Once you select HDMI as the projector source, the projector will display whatever is playing on the device connected to the **HDMI Port**. Use the controls on your device in order to adjust playback as needed.

Listening to Music from a Bluetooth Device

When Projector Plus is paired with a Bluetooth device (such as a smartphone), it can play music from the device through its speaker. You can play music from the Bluetooth device while the projector is on and operating or while the projector is off.

To pair with a Bluetooth device:

1. Turn on your Bluetooth device and power on Projector Plus, which will automatically begin the pairing process (Projector Plus is always in pairing mode). You will know that Projector Plus is not yet paired to a Bluetooth device if the **Bluetooth LED** is still unlit.
2. Navigate to the Bluetooth device's setup screen. Then find and select **Projector Plus**. You will know that Projector Plus is paired with your Bluetooth device when the **Bluetooth LED** is lit solid blue. Also, the speaker will play a brief tone once pairing is complete.

Note: If your Bluetooth device prompts for a pairing code, enter "0000".

Note: If you have previously paired to the Bluetooth device, you may be able to skip Step 2 and simply wait for it to connect with Projector Plus after powering on.

To disconnect the paired Bluetooth device, press and hold the **Bluetooth button**.

To pair with a different Bluetooth device, repeat step 2 after disconnecting from the first device. During the pairing process, it may help to move the first device out of range or to disable its Bluetooth capacity.

Note: Maximum range will be achieved when using devices with Bluetooth 4.0.

Note: Users should consider updating their Bluetooth device's operating system if experiencing trouble with pairing or playing music.

Listening to Music from an Auxiliary Device

You can play music from an auxiliary device (such as an iPod or other MP3 player) through Projector Plus. You can play music from the auxiliary device while the projector is on and operating or while the projector is off.

To play an auxiliary device through Projector Plus:

1. Use a standard 1/8" / 3.5 mm cable to connect the output jack on your aux device to the **Aux Input** on Projector Plus.
2. Use the controls on your auxiliary device to play/pause a track, skip tracks, etc.

Note: If the sound from your auxiliary device is distorted, try lowering the volume on the device. The volume on your auxiliary device should not be at full level.

Troubleshooting

If the unit is not charging: Make sure the power cable is properly connected to the power input and the power outlet.

If the sound is distorted: Try lowering the volume control of your sound source, musical instrument, or microphone. Also, try to reduce the overall volume of Projector Plus using the **Volume knob**.

If there is too much bass: Try adjusting the tone or EQ control on your sound source to lower the bass level. This will allow you to play the music louder before clipping (distortion) occurs.

If there is a high-pitched whistling noise when using microphones: This is probably feedback. Point the microphone away from the speaker.

If you can't hear the microphone over the music volume: Turn down the music volume from your source.

If you cannot connect your audio device to Projector Plus via Bluetooth:

- Have your audio device (e.g., smartphone or tablet) and Projector Plus as close together as possible while trying to connect. Make sure both the audio device and Projector Plus are unobstructed by walls, furniture, etc.
- Reset the Bluetooth connection on Projector Plus to disconnect Projector Plus from any other audio device and restart the search process. If this does not work right away, power off Projector Plus and then power it back on.
- Reset the Bluetooth connection on your audio device by turning Bluetooth off and back on. You can find this under the Bluetooth menu in the Settings for your phone or other audio device.

If this does not work, and you have connected to Projector Plus before, find Projector Plus in the list of available or previously connected devices in your audio device's Bluetooth menu, tap the "gear" or "i" icon located next to it and then select **Unpair** or **Forget**. Turn Projector Plus off and back on and try pairing again once it reappears in your available devices list.

Note: If Projector Plus has been paired to another audio device recently that is still within range, you may need to repeat this process with that audio device to fully disconnect.

Guía de inicio rápido (Español)

Introducción

Gracias por comprar el Projector Plus. En ION, su entretenimiento es tan importante para nosotros como para usted. Por eso es que diseñamos nuestros productos con una sola cosa en mente—hacer que su vida sea más divertida y cómoda.

Contenido de la caja

Projector Plus
 Micrófono y cable
 Adaptador de alimentación
 Control remoto
 Guía de inicio rápido
 Manual sobre la seguridad y garantía

Soporte

Para obtener la información más reciente acerca de este producto (documentación, especificaciones técnicas, requisitos de sistema, información de compatibilidad, etc.) y registrarlo, visite ionaudio.com.

Para obtener soporte adicional del producto, visite ionaudio.com/support.

Baterías recargables

Nota: Antes de utilizar por primera vez el producto, cargue completamente la batería. Su unidad se despachó intencionalmente con una carga reducida de la batería por razones de seguridad en el tránsito. Utilice el adaptador de alimentación incluido para conectar la unidad a una toma de corriente y permita que la unidad se cargue. Esto contribuye a asegurar la vida útil más larga de su batería.

He aquí algunas recomendaciones para prolongar la vida útil de la batería interna.

Uso general	Cargue completamente la batería antes de usarla. Cargue la batería completamente después de cada uso.
Almacenamiento	Para lograr la mayor longevidad del producto, no lo almacene a temperaturas muy altas (superiores 32°C/90°F) o muy frías (inferiores a 0°C/32°F). Es aceptable dejar su sistema de sonido enchufado. No sobrecargará la batería. Si deja que el nivel de la batería baje y no la carga durante 3 meses, puede perder permanentemente su capacidad.
Reparación	Si la batería no se carga, compruebe su fusible cerca de la entrada del cable de alimentación. Si el fusible está intacto y la batería sigue sin cargarse, póngase en contacto con ION Audio en ionaudio.com .
Disposición final	Lleve la unidad a un centro de reciclaje o deséchela de acuerdo a las ordenanzas locales.

Características

Panel superior



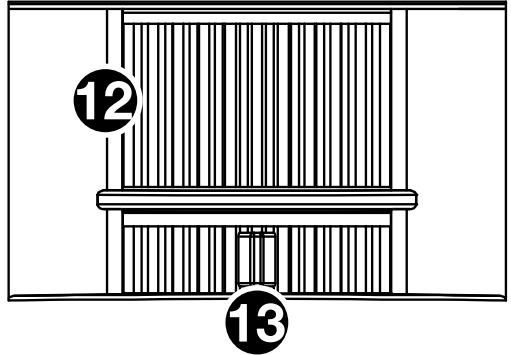
1. **Botón de encendido:** Luego de encender el Proyector Plus (mediante el interruptor de encendido del panel lateral), pulse este botón para entrar o salir del modo de espera. En modo de espera, el Proyector Plus no se apagará por completo, sino que ahorrará batería.

Nota: Cuando el Proyector Plus no se encuentre en modo de espera y esté completamente encendido, el altavoz funcionará, pero deberá utilizar el botón **Projector On/Off** para encender el proyector.

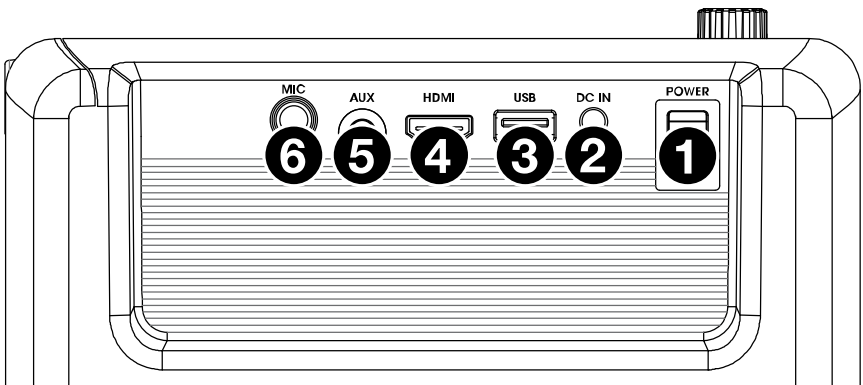
2. **Encender/Apagar el Proyector:** Pulse este botón para encender o apagar el proyector.

Consejo: Esta característica puede ser de utilidad para ahorrar batería. Si solamente está utilizando el Proyector Plus para escuchar música desde un dispositivo Bluetooth o auxiliar, utilice este botón para apagar el proyector y ahorrar su batería.
3. **Botón Bluetooth:** Mantenga pulsado este botón para que el Proyector Plus se desaparee de un dispositivo Bluetooth conectado y busque otro dispositivo Bluetooth con el cual aparearse automáticamente. El **botón Bluetooth** sirve únicamente para desaparear dispositivos Bluetooth conectados, dado que el Proyector Plus siempre se encuentra en modo de apareamiento.
4. **Botón Echo (eco):** Utilice este botón para encender o apagar el efecto de eco de la **entrada de micrófono**.
5. **Botón Source (fuente):** Pulse este botón para determinar la fuente del video reproducido por el Proyector Plus: el **puerto USB** o el **puerto HDMI**.
6. **Botón del menú:** Pulse este botón para acceder a los ajustes de imagen del proyector. Luego utilice los **botones direccionales** y el **botón OK** que componen el **teclado de navegación** para modificar los ajustes.
7. **Botón Return (regreso):** Al utilizar el proyector, pulse este botón para regresar a la página anterior.
8. **Teclado de navegación:** Utilice estos botones para navegar por las páginas y seleccionar/ajustar los ajustes de su proyector. Utilice los **botones direccionales** para resaltar/editar las diferentes opciones y el **botón OK** para confirmar su selección.
9. **LED de estado:** De izquierda a derecha, estos cuatro LED son:
 - **LED de modo de espera:** Este LED estará apagado cuando el Proyector Plus esté apagado, se encenderá de rojo cuando el Proyector Plus esté encendido y se encenderá de verde cuando el Proyector Plus esté encendido, pero se encuentre en modo de espera.
 - **LED de Bluetooth:** Este LED se encenderá de azul cuando el Proyector Plus esté apareado con una fuente de audio Bluetooth.
 - **LED de eco:** Este LED se encenderá de rojo cuando el efecto de eco de micrófono se encuentre activado.
 - **LED de batería:** Este LED parpadeará de color rojo cuando el Proyector Plus esté por agotar su batería. Quedará permanentemente encendido cuando el Proyector Plus esté conectado a la alimentación y cargándose (de rojo permanente cuando la unidad aún se esté cargando y verde una vez que esté completamente cargada).

- 10. **Perilla de volumen:** Gire esta perilla para ajustar el volumen de salida general del altavoz.
- 11. **Perilla de micrófono:** Gire esta perilla para ajustar el volumen de entrada de la **entrada de micrófono**.
- 12. **Anillo de enfoque:** Gire este anillo a la izquierda y a la derecha para que la imagen emitida por el proyector sea nítida. El ajuste del **anillo de enfoque** dependerá de la distancia entre el Projector Plus y la pantalla en donde se proyecte.
- 13. **Ajuste trapezoidal:** Si el Projector Plus no se encuentra apoyado sobre una superficie nivelada, utilice esta palanca para inclinar la lente del proyector de manera que quede perpendicular respecto de la pantalla de proyección.





Panel lateral



- 1. **Interruptor de encendido:** Enciende y apaga el Projector Plus.
- 2. **Entrada de CC:** Inserte aquí el cable de alimentación incluido para cargar la unidad.
- 3. **Puerto USB:** Conecte aquí su unidad USB para cargar archivos de video, fotos, música, y texto.
- 4. **Puerto HDMI:** Conecte a esta entrada una computadora, un reproductor de DVD u otro dispositivo a fin de reproducir videos.
- 5. **Entrada auxiliar (1/8 pulg. / 3,5 mm):** Conecte un reproductor de MP3 u otra fuente de audio a esta entrada estéreo auxiliar de 3,5 mm (1/8 pulg.).
- 6. **Entrada de micrófono (1/4 pulg. / 6,35 mm):** Conecte el micrófono incluido a esta entrada de 6,35 mm (1/4 pulg.), si desea utilizar un micrófono mientras escucha música y/o proyecta video. El audio del micrófono se emitirá a través del altavoz Projector Plus. Controle el volumen de su micrófono utilizando la perilla **Mic**.

Control remoto

-  (**Encendido**): Enciende y apaga el Projector Plus.
- **PROJ**: Enciende y apaga el proyector.
- **◀◀ (Anterior)**: Regresa a la pista USB anterior.
- **▶▶ (Siguiente)**: Saltea a la siguiente pista USB.
- **◀◀ (Rebobinar)**: Rebobina el archivo de música o película de la unidad USB.
- **▶▶ (Avance rápido)**: Realiza un avance rápido por el archivo de música o película de la unidad USB.
- **▶|| (Reproducir/Pausa)**: Reproduce/pone en pausa el archivo de presentación de diapositivas, película o música de la unidad USB.
- **Vol-**: Disminuye el volumen del altavoz del Projector Plus.
- **Vol+**: Aumenta el volumen del altavoz del Projector Plus.
- **Flip (Dar vuelta)**: Da vuelta la pantalla del proyector.
- **Source (Fuente)**: Abre el menú de selección de fuente del proyector y permite seleccionar una de las siguientes opciones: **HDMI** o **reproductor de medios USB**.
- **Zoom**: Permite pasar de una a otra opción de zoom del proyector.
- **Teclado de navegación**: Utilice estos botones para navegar por las páginas y seleccionar/ajustar los ajustes de su proyector.
- **Exit (Botón de salida)**: Al utilizar el proyector, pulse este botón para regresar a la página anterior.
- **Menú**: Pulse este botón para acceder a los ajustes de imagen del proyector.
- **Botones numéricos**: Si desea especificar una "hora de inicio" para un archivo de música o película, utilice estos botones para introducir la hora.
- **Echo**: Utilice esta perilla para encender o apagar el efecto de eco de la **entrada de micrófono**.
-  (**Bluetooth**): Mantenga pulsado este botón para que el Projector Plus se desparee de un dispositivo Bluetooth conectado y busque otro dispositivo Bluetooth con el cual aparearse automáticamente.

Instalación

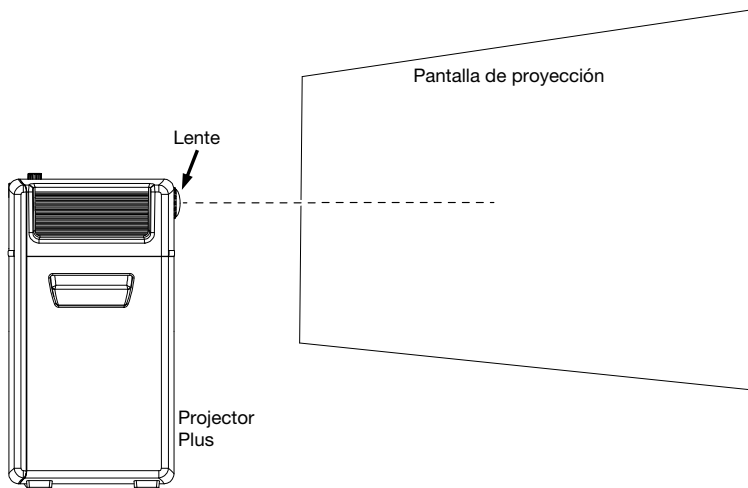
Preparación del proyector

Cómo preparar el proyector:

1. Encienda el proyector colocando el **interruptor de encendido** del Proyector Plus en la posición de encendido y luego pulsando el **botón Proyector**.
2. Ubique el Proyector Plus frente a su pantalla de proyección, asegurándose de que la lente quede orientada hacia la pantalla. Cuanto más cerca esté el Proyector Plus a la pantalla de proyección, menor será el tamaño del video proyectado. Obtendrá una imagen nítida cuando el tamaño del video proyectado se encuentre entre 2,5 y 12,5 pies.

Nota: La lente debe estar a la misma altura que el centro del video proyectado (como se ilustra a continuación).

3. Enfoque la lente según sea necesario girando el **anillo de enfoque** hasta obtener una imagen nítida.



Algunos consejos sobre el uso del proyector:

- El proyector funcionará mejor cuando se lo utilice en un ambiente con luces tenues.
- El blanco es el color ideal para la superficie de la pantalla de proyección.
- La lente debe quedar perpendicular respecto de la pantalla de proyección. Si el Proyector Plus no está apoyado sobre una superficie nivelada, puede corregirse el ángulo de la lente utilizando el **ajuste trapecoidal** o subiendo/bajando el pie ajustable que se encuentra en la parte inferior de la unidad.
- Cuando haya terminado de utilizar el proyector, sujete la tapa para lente incluida a la lente. Si tiene problemas, utilice el **anillo de enfoque** para asegurarse de que la lente quede lo suficientemente extendida como para que la tapa para lente pueda sujetarse a ella.

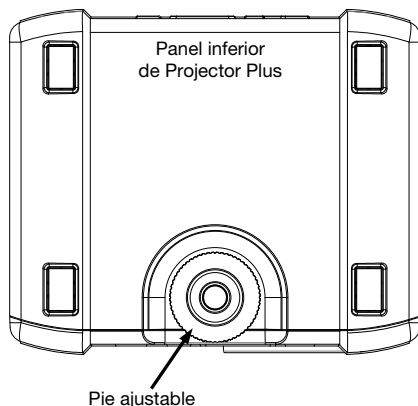
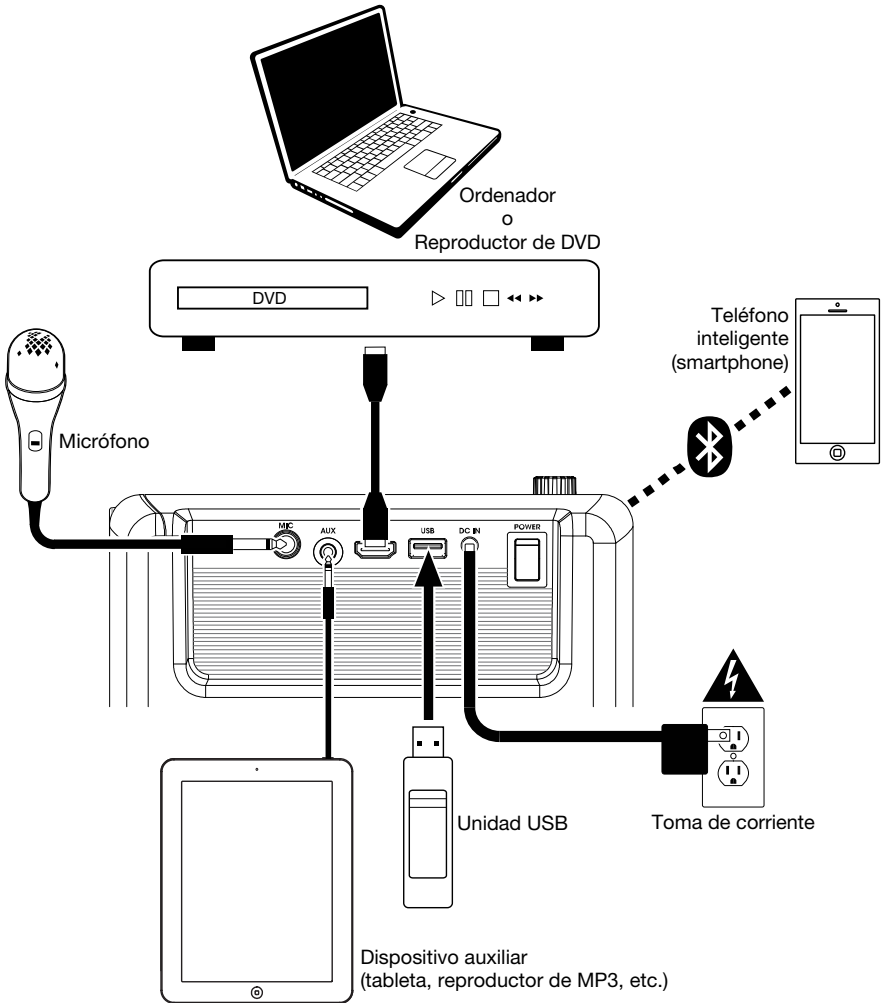


Diagrama de conexión

Los elementos que no se enumeran en [Introducción > Contenido de la caja](#) se venden por separado.



Funcionamiento

Selección de la fuente del proyector

Con el Proyector Plus se puede proyectar video desde un dispositivo conectado al **puerto HDMI** o proyectar un archivo de imagen, música, video o texto desde una unidad USB conectada al **puerto USB**.

Nota: Para conocer los formatos de archivo que puede leer el Proyector Plus en una unidad USB, consulte [Appendix](#).

Para encender y apagar el proyector, pulse el **botón Projector** mientras el Proyector Plus esté completamente encendido (es decir, que no esté en modo de espera).

Cómo seleccionar la fuente de video del proyector:

1. Pulse el **botón Source** mientras el proyector se encuentra encendido y a continuación aparecerá un menú del lado derecho de la pantalla del proyector.
2. Pulse el **botón Source** nuevamente para seleccionar entre **HDMI** y **USB Media Player** (reproductor de medios USB). Como alternativa, utilice los **botones direccionales** que componen el teclado **de navegación** para resaltar la opción deseada.
3. Cuando haya resaltado la fuente deseada en la pantalla, pulse el **botón OK** para confirmar su selección.

Si se selecciona el **reproductor de medios USB** como la fuente del proyector, la parte superior izquierda de la pantalla indicará si hay una unidad USB conectada y aparecerán cuatro iconos en la pantalla de proyección: Photo, Music, Movie y Text (foto, música, película y texto). Esta es la pantalla de inicio cuando se selecciona **USB Media Player** como la fuente del proyector. Al visualizar los archivos en una unidad USB, siempre puede regresar a la pantalla de inicio pulsando el **botón Return** hasta llegar nuevamente a la pantalla de inicio.

Si se selecciona **HDMI** como la fuente de audio, el proyector emitirá en vivo la señal proveniente del dispositivo conectado al **puerto HDMI**.

Consulte las siguientes secciones de este manual para obtener más detalles sobre cómo utilizar el Proyector Plus con una unidad USB conectada al **puerto HDMI**.

Para modificar los ajustes de imagen del proyector u otros ajustes, pulse el **botón Menu** en cualquier momento, siempre que el proyector se encuentre encendido. Utilice los **botones direccionales** que componen el **teclado de navegación** para recorrer los ajustes y pulse el **botón OK** para seleccionarlos.

Proyección de archivos de imágenes desde una unidad de USB

Cómo proyectar imágenes desde una unidad USB:

1. Conecte su unidad USB al **puerto USB** del Projector Plus. Seleccione **USB Media Player** como la fuente del proyector y luego acceda a la pantalla de inicio (tal como se describe en **Selección de la fuente del proyector**).
2. Utilice los **botones direccionales** para resaltar el icono de la foto. Luego pulse el **botón OK**.
3. El proyector mostrará la lista de directorios presentes en la unidad USB. Utilice los **botones direccionales** para resaltar el directorio que contiene los archivos de imagen deseados. Luego pulse el **botón OK** cuando esté resaltado el nombre del directorio.
4. El proyector mostrará la lista de carpetas/archivos de imagen dentro de ese directorio. Utilice los **botones direccionales** para resaltar la carpeta que contiene los archivos de imagen deseados. Luego pulse el **botón OK** para seleccionar esa carpeta. Si no existe ninguna carpeta dentro del directorio o si los archivos de imagen deseados no se encuentran en ninguna carpeta, continúe en el Paso 5.
5. El proyector mostrará una lista de archivos de imagen. Utilice los **botones direccionales** para recorrer las imágenes. Una vez que haya seleccionado la imagen que desea mostrar, pulse el **botón OK** para seleccionarla.
6. El proyector mostrará la imagen y comenzará una presentación de diapositivas que comenzará por dicha imagen y procederá alfabéticamente a través del resto de las imágenes presentes en la carpeta o directorio actualmente seleccionado.

A fin de ajustar la reproducción de las imágenes de la presentación de diapositivas, puede utilizar el menú que se encuentra en la parte inferior de la pantalla del proyector. Si el menú no aparece automáticamente, pulse el **botón OK** mientras se muestra una de las imágenes.

Con el menú desplegado, puede utilizar los **botones direccionales**, el **botón OK**, y el **botón Return** para navegar por las siguientes opciones:

- **Play/Pause:** Reproduce o pone en pausa la presentación de diapositivas.
- **Prev.:** Regresa a la imagen anterior de la presentación.
- **Next:** Pasa a la imagen siguiente de la presentación.
- **Stop:** Detiene la presentación y regresa a la lista de archivos de imagen que se encuentra en la carpeta o directorio actualmente seleccionado.
- **Repeat:** Permite cambiar de opción de repetición. Si se selecciona **Repeat...**, la presentación de diapositivas dejará de reproducirse una vez que se hayan mostrado todas las imágenes presentes en la carpeta o el directorio. Si se selecciona **Repeat 1**, la presentación reproducirá la imagen seleccionada de manera continua. Si se selecciona **Repeat All**, la presentación de diapositivas repetirá todas las imágenes presentes en la carpeta o el directorio de manera continua.
- **PList:** Seleccione esta opción para generar una lista de los archivos de imagen que se encuentran en la carpeta o directorio actualmente seleccionado a fin de cambiar de foto/visualizar la lista de reproducción de la presentación sin tener que salir de la presentación.
- **Info:** Pulse este botón para ver las especificaciones de la imagen actualmente proyectada.
- **Rotate:** Seleccione esta opción para rotar la imagen 90 grados.
- **ZoomI:** Seleccione esta opción para agrandar la imagen.
- **ZoomO:** Seleccione esta opción para achicar la imagen.
- **Move:** Si una foto se agranda a más del 100% de su tamaño, utilice esta característica para ajustar la sección de la foto visible en la pantalla de proyección.
- **Slide:** Seleccione esta opción para elegir un modo de transición de diapositivas.

Para ocultar el menú de la presentación de diapositivas, pulse el **botón de flecha hacia abajo**.

Para salir de la presentación de diapositivas, pulse el **botón Return** en cualquier momento.

Reproducción de música desde una unidad USB

Cómo reproducir música desde una unidad USB:

1. Conecte su unidad USB al **puerto USB** del Projector Plus. Seleccione **USB Media Player** como la fuente del proyector y luego acceda a la pantalla de inicio (tal como se describe en [Selección de la fuente del proyector](#)).
2. Utilice los **botones direccionales** para resaltar el icono de la música. Luego pulse el **botón OK**.
3. El proyector mostrará la lista de directorios presentes en la unidad USB. Utilice los **botones direccionales** para resaltar el directorio que contiene los archivos de música deseados. Luego pulse el **botón OK** cuando esté resaltado el nombre del directorio.
4. El proyector mostrará la lista de carpetas/archivos de música dentro de ese directorio. Utilice los **botones direccionales** para resaltar la carpeta que contiene los archivos de música deseados. Luego pulse el **botón OK** para seleccionar esa carpeta. Si no existe ninguna carpeta dentro del directorio o si los archivos de música deseados no se encuentran en ninguna carpeta, continúe en el Paso 5.
5. El proyector mostrará una lista de archivos de música. Utilice los **botones direccionales** para recorrer los archivos de música. A medida que se resalta cada archivo, el Projector Plus comenzará a reproducir una vista previa de la canción. Una vez que haya seleccionado el archivo de música que desea mostrar, pulse el **botón OK** para seleccionarlo.
6. El Projector Plus comenzará a reproducir el archivo de música seleccionado. Aparecerán la imagen de portada de la canción y un visualizador en la pantalla de proyección.

Una vez que termine la canción seleccionada, el Projector Plus procederá a reproducir el resto de las canciones presentes en la carpeta o directorio en orden alfabético.

A fin de ajustar la reproducción de los archivos de música, puede utilizar el menú que se encuentra en la parte inferior de la pantalla. Si el menú no aparece automáticamente, pulse el **botón OK** mientras se esté reproduciendo una canción.

Con el menú desplegado, puede utilizar los **botones direccionales**, el **botón OK**, y el **botón Return** para navegar por las siguientes opciones:

- **Play/Pause:** Reproduce o pone en pausa el archivo de música.
- **FB:** Rebobina el archivo de música.
- **FF:** Realiza un avance rápido por el archivo de música.
- **Prev.:** Regresa a la canción anterior en la carpeta o directorio.
- **Next:** Pasa a la canción siguiente en la carpeta o directorio.
- **Stop:** Detiene la lista de reproducción y regresa a la lista de archivos de música que se encuentra en la carpeta o directorio actualmente seleccionado.
- **Set A / Set B / None:** Utilice esta opción para reproducir un segmento del archivo de música de manera continua. Para definir el punto inicial del bucle, pulse el **botón OK** en la opción **Set A**. Luego defina el punto final del bucle pulsando la opción **Set B**. Una vez hecho esto, el bucle comenzará a repetirse. Para desactivar el bucle, pulse el **botón OK** mientras está resaltada la opción **None**.
- **Mute:** Silencia el archivo de música.
- **PList:** Seleccione esta opción para generar una lista de los archivos de música que se encuentran en la carpeta o directorio actualmente seleccionado a fin de cambiar de canción/visualizar la lista sin tener que detener la música.
- **Info:** Pulse este botón para ver las especificaciones del archivo de música actual.
- **GoTime:** Seleccione esta opción para introducir un instante de la canción al cual el Projector Plus saltará. Puede utilizar los **botones direccionales** o los **botones numéricos** del control remoto para introducir la hora.

Para ocultar el menú, pulse el **botón de flecha hacia abajo**.

Para regresar a la lista de archivos presentes en la carpeta o directorio, pulse el **botón Return** en cualquier momento.

Proyección de archivos de película desde una unidad de USB

Cómo reproducir videos desde una unidad USB:

1. Conecte su unidad USB al **puerto USB** del Projector Plus. Seleccione **USB Media Player** como la fuente del proyector y luego acceda a la pantalla de inicio (tal como se describe en [Selección de la fuente del proyector](#)).
2. Utilice los **botones direccionales** para resaltar el icono de la película. Luego pulse el **botón OK**.
3. El proyector mostrará la lista de directorios presentes en la unidad USB. Utilice los **botones direccionales** para resaltar el directorio que contiene los archivos de película deseados. Luego pulse el **botón OK** cuando esté resaltado el nombre del directorio.
4. El proyector mostrará la lista de carpetas/archivos de película dentro de ese directorio. Utilice los **botones direccionales** para resaltar la carpeta que contiene los archivos de película deseados. Luego pulse el **botón OK** para seleccionar esa carpeta. Si no existe ninguna carpeta dentro del directorio o si los archivos de película deseados no se encuentran en ninguna carpeta, continúe en el Paso 5.
5. El proyector mostrará una lista de archivos de película. Utilice los **botones direccionales** para recorrer los archivos de película. A medida que se resalta cada archivo, el Projector Plus comenzará a reproducir una vista previa de la película resaltada desde el comienzo. Una vez que haya seleccionado el archivo de película que desea ver, pulse el **botón OK** para seleccionarlo.
6. Se abrirá una ventana emergente que le preguntará si desea reanudar el video. Seleccione **Yes** (sí) o **No**. Si selecciona **Yes**, el video continuará reproduciéndose desde el punto en el que terminó la vista previa del video. Si se selecciona **No**, el video se reiniciará desde el comienzo. Si no resaltó el archivo de película el tiempo suficiente como para que se inicie la vista previa, la película comenzará a reproducirse desde el inicio de forma automática después de seleccionarla.

Una vez que termine el video seleccionado, el Projector Plus procederá a reproducir el resto de los videos presentes en la carpeta o directorio en orden alfabético.

A fin de ajustar la reproducción de los archivos de música, pulse el **botón OK** que se encuentra en la parte inferior de la pantalla. Luego utilice los **botones direccionales** y el **botón Return** para navegar por las siguientes opciones:

- **Play/Pause:** Reproduce o pone en pausa el video.
- **FB:** Rebobina el video.
- **FF:** Realiza un avance rápido por el video.
- **Prev.:** Regresa al video anterior en la carpeta o directorio.
- **Next:** Pasa al video siguiente en la carpeta o directorio.
- **Stop:** Detiene el video y regresa a la lista de archivos de video que se encuentran en la carpeta o directorio actualmente seleccionado.
- **Repeat:** Permite cambiar de opción de repetición. Si se selecciona **Repeat...**, el Projector Plus dejará de reproducir videos una vez que se hayan reproducido todos los archivos de película presentes en la carpeta. Si se selecciona **Repeat 1**, el Projector Plus reproducirá el video seleccionado de manera continua. Si se selecciona **Repeat All**, el Projector Plus reproducirá todos los videos presentes en la carpeta o el directorio de manera continua.
- **Set A / Set B / None:** Utilice esta opción para reproducir un segmento del video de manera continua (bucle). Para definir el punto inicial del bucle, pulse el **botón OK** en la opción **Set A**. Luego defina el punto final del bucle pulsando la opción **Set B**. Una vez hecho esto, el bucle comenzará a repetirse. Para desactivar el bucle, pulse el **botón OK** mientras está resaltada la opción **None**.
- **PList:** Seleccione esta opción para generar una lista de los archivos de video que se encuentran en la carpeta o directorio actualmente seleccionado a fin de cambiar de video/visualizar la lista sin tener que detener la reproducción.
- **Info:** Muestra las especificaciones del video actual.
- **SlowF:** Permite elegir una de las opciones de reproducción en cámara lenta.

- **StepF:** Congela el video actual y luego hace un avance rápido del video de a pequeños incrementos cada vez que lo selecciona.
- **GoTime:** Seleccione esta opción para introducir un instante del video al cual el Projector Plus saltará. Utilice los **botones direccionales** o los **botones numéricos** del control remoto para introducir la hora.
- **ZoomI:** Agrandando el video.
- **ZoomO:** Achica el video.
- **Aspect:** Permite cambiar la relación de aspecto.
- **Move:** Si un video se agranda a más del 100% de su tamaño, utilice esta característica para ajustar la sección del video visible en la pantalla de proyección.

Para ocultar el menú, pulse el **botón de flecha hacia abajo**.

Para regresar a la lista de archivos presentes en la carpeta o directorio, pulse el **botón Return** en cualquier momento.

Proyección de archivos de texto desde una unidad de USB

Cómo visualizar un documento de texto desde una unidad USB:

1. Conecte su unidad USB al **puerto USB** del Projector Plus. Seleccione **USB Media Player** como la fuente del proyector y luego acceda a la pantalla de inicio (tal como se describe en [Selección de la fuente del proyector](#)).
2. Utilice los **botones direccionales** para resaltar el icono de texto. Luego pulse el **botón OK**.
3. El proyector mostrará la lista de directorios presentes en la unidad USB. Utilice los **botones direccionales** para resaltar el directorio que contiene los archivos de texto deseados. Luego pulse el **botón OK** cuando esté resaltado el nombre del directorio.
4. El proyector mostrará la lista de carpetas/archivos de texto dentro de ese directorio. Utilice los **botones direccionales** para resaltar la carpeta que contiene los archivos de texto deseados. Luego pulse el **botón OK** para seleccionar esa carpeta. Si no existe ninguna carpeta dentro del directorio o si los archivos de texto deseados no se encuentran en ninguna carpeta, continúe en el Paso 5.
5. El proyector mostrará una lista de archivos de texto. Utilice los **botones direccionales** para recorrer los archivos de texto. Cuando un archivo de texto se encuentra resaltado, el proyector mostrará una vista previa del archivo. Una vez que haya seleccionado el archivo de texto que desea ver, pulse el **botón OK** para seleccionarlo.
6. A continuación, el proyector mostrará el archivo de texto.

A fin de ajustar la proyección de los archivos de texto presentes en la carpeta o directorio, pulse el **botón OK** para abrir el menú en la parte inferior de la pantalla. Luego utilice los **botones direccionales** y el **botón Return** para navegar por las siguientes opciones:

- **Prev...:** Regresa a la página anterior del archivo de texto.
- **Nex...:** Pasa a la página siguiente del archivo de texto.
- **Prev.:** Regresa al archivo de texto anterior en la carpeta o directorio.
- **Next:** Pasa al archivo de texto siguiente en la carpeta o directorio.
- **Stop:** Sale del archivo de texto y regresa a la lista de archivos presentes en la carpeta o directorio actualmente seleccionado.
- **PList:** Seleccione esta opción para generar una lista de los archivos de texto que se encuentran en la carpeta o directorio actualmente seleccionado a fin de cambiar de documento/visualizar la lista sin tener que salir del documento.
- **Info:** Muestra las especificaciones del archivo de texto.

Para ocultar el menú, pulse el **botón de flecha hacia abajo**.

Para regresar a la lista de archivos presentes en la carpeta, pulse el **botón Return** en cualquier momento durante la presentación de diapositivas.

Proyección de un video desde un dispositivo conectado al puerto HDMI

Cómo reproducir un video desde un dispositivo conectado al puerto HDMI (como, por ejemplo, un reproductor de DVD o computadora):

1. Utilice un cable HDMI para conectar su dispositivo al **puerto HDMI** del Projector Plus.
2. Asegúrese de que esté seleccionado HDMI como la fuente del proyector (como se describe en **Selección de la fuente del proyector**).
3. Una vez que haya seleccionado HDMI como la fuente del proyector, este proyectará lo que sea que se esté reproduciendo en el dispositivo conectado al **puerto HDMI**. Utilice los controles de su dispositivo para ajustar la reproducción según sea necesario.

Cómo escuchar música desde un dispositivo Bluetooth

Quando el Projector Plus se encuentra apareado con un dispositivo Bluetooth (tal como un teléfono inteligente o smartphone), puede reproducir música desde el dispositivo a través de su altavoz. Puede reproducir música desde un dispositivo Bluetooth mientras el proyector esté encendido y funcionando o mientras el proyector esté apagado.

Cómo aparear un dispositivo Bluetooth:

1. Encienda su dispositivo Bluetooth y el Projector Plus, el cual comenzará el proceso de apareamiento automáticamente (el Projector Plus siempre está en modo de apareamiento). Podrá darse cuenta si el Projector Plus aún no logró aparearse con un dispositivo Bluetooth si el **LED Bluetooth** continúa apagado.
2. Acceda a la pantalla de configuración Bluetooth de su dispositivo. Luego busque y seleccione **Projector Plus**.* Podrá darse cuenta si el Projector Plus logró aparearse con un dispositivo Bluetooth cuando el **LED Bluetooth** se encienda permanentemente de color azul. Además, el altavoz emitirá un breve tono una vez finalizado el apareamiento.

Nota: Si su dispositivo Bluetooth solicita un código de apareamiento, ingrese "0000".

Nota: Si ya había apareado anteriormente ese dispositivo Bluetooth, podrá pasar directamente al paso 2 y simplemente esperar a que se conecte con el Projector Plus luego de encenderlo.

Para desconectar un dispositivo Bluetooth conectado, mantenga pulsado el **botón Bluetooth**.

Para aparear un dispositivo Bluetooth diferente, repita el paso 2 tras desconectarse del primer dispositivo. Durante el proceso de apareamiento, puede ser de utilidad alejar el primer dispositivo para que quede fuera del alcance o desactivar su función de Bluetooth.

Nota: El alcance máximo se logra cuando se utilizan dispositivos con Bluetooth 4.0.

Nota: Los usuarios deben considerar actualizar el sistema operativo de sus dispositivos Bluetooth si experimentan problemas con el apareamiento o la reproducción de música.

Cómo escuchar música desde un dispositivo auxiliar

Se puede reproducir música desde un dispositivo auxiliar (tal como un iPod u otro reproductor mp3) a través del Projector Plus. Puede reproducir música desde un dispositivo auxiliar mientras el proyector esté encendido y funcionando o mientras el proyector esté apagado.

Como reproducir un dispositivo auxiliar a través del Projector Plus:

1. Utilice un cable estándar de 1/8 pulg. / 3,5 mm para conectar el conector de salida de su dispositivo auxiliar a la **entrada auxiliar** del Projector Plus.
2. Utilice los controles de su dispositivo auxiliar para reproducir/poner en pausa las pistas, saltarlas, etc.

Nota: Si el sonido que proviene su dispositivo auxiliar suena distorsionado, prueben bajando el volumen en su dispositivo. El volumen de su dispositivo auxiliar no debería estar al máximo.

Solución de problemas

Si la unidad no se carga: Asegúrese de que el cable de alimentación esté conectado correctamente a la entrada de corriente y a la toma de corriente.

Si el sonido está distorsionado: Pruebe bajando el control de volumen de su fuente de sonido o instrument musical. Pruebe también reduciendo el volumen general del Projector Plus.

Si los graves son demasiado fuertes: Intente ajustando el control de tono o ecualización de su Projector Plus o fuente de sonido para reducir el nivel de graves. De esta forma podrá reproducir la música con más volumen antes de que se produzca el recorte (distorsión).

Si hay un silbido agudo cuando se usa un micrófono: Probablemente sea realimentación. Apunte el micrófono apartándolo del altavoz.

Si no puede oír el micrófono por arriba del volumen de la música: Disminuya el volumen de la música en su fuente.

Si no puede conectar su dispositivo de audio al Projector Plus mediante Bluetooth:

- Mantenga su dispositivo de audio (por ej., teléfono inteligente [smartphone] o tableta) y el Projector Plus lo más cerca posible entre sí al realizar la conexión. Asegúrese que tanto el dispositivo de audio como el Projector Plus no estén obstruidos por paredes, muebles, etc.
- Reinicie la conexión Bluetooth del Projector Plus para desconectarlo Projector Plus de cualquier otro dispositivo de audio y reinicie el proceso de búsqueda. Si esto no funciona en seguida, apague el Projector Plus y luego vuelva a encenderlo.
- Reinicie la conexión Bluetooth de su dispositivo de audio apagando el Bluetooth y luego volviendo a encenderlo. Puede encontrar esta opción dentro del menú Bluetooth en los ajustes de su teléfono o dispositivo de audio.

Si esto no funciona y ya se había conectado al Projector Plus anteriormente, busque Projector Plus en la lista de dispositivos disponibles o previamente conectados en el menú Bluetooth de su dispositivo de audio, toque el icono de engranaje o "i" ubicado junto a él y luego seleccione **Desaparear** u **Olvidar**. Apague el Projector Plus, luego vuelva a encenderlo e intente aparearlo nuevamente una vez que vuelva a aparecer en su lista de dispositivos disponibles.

Nota: Si Projector Plus ya ha sido recientemente apareado con otro dispositivo de audio que aún se encuentre dentro del alcance, es posible que tenga que repetir este proceso con ese dispositivo de audio para desconectarlo completamente.

Guide d'utilisation rapide (Français)

Présentation

Merci d'avoir fait l'acquisition de l'enceinte Projector Plus. Chez ION, votre divertissement est aussi important pour nous qu'il l'est pour vous. C'est pourquoi nous concevons nos produits avec une seule chose en tête — rendre la vie plus amusante et plus pratique.

Contenu de la boîte

Projector Plus
 Microphone et câble
 Adaptateur d'alimentation
 Télécommande
 Guide d'utilisation rapide
 Consignes de sécurité et informations concernant la garantie

Assistance

Pour les toutes dernières informations concernant la documentation, les spécifications techniques, la configuration requise, la compatibilité et l'enregistrement du produit, veuillez visiter ionaudio.com.
 Pour de l'assistance supplémentaire, veuillez visiter ionaudio.com/support.

Piles rechargeables

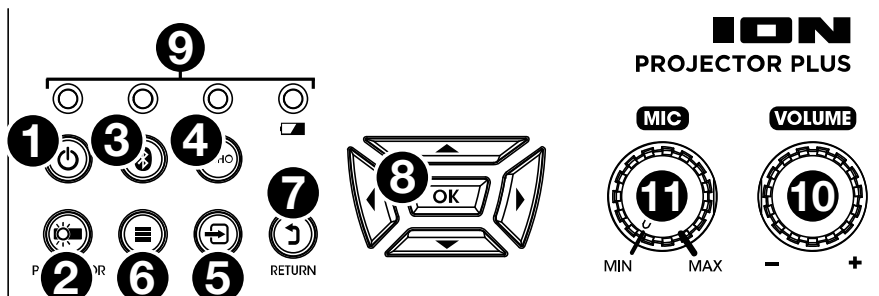
Remarque : Veuillez vous assurer d'avoir complètement chargé la batterie du produit avant sa première utilisation. L'appareil a été expressément expédié avec une charge de batterie réduite afin d'assurer un transport sécuritaire. Veuillez utiliser l'adaptateur d'alimentation fourni pour relier l'appareil à une prise secteur et laisser la batterie se recharger. Ceci permettra de maximiser la durée de vie de la batterie.

Voici quelques recommandations pour prolonger au maximum la durée de vie de la pile interne.

Utilisation générale	Chargez complètement la batterie avant de l'utiliser. Rechargez la batterie complètement après chaque utilisation.
Entreposage	Pour optimiser la longévité du produit, ne pas entreposer dans des températures extrêmement chaudes (supérieur à 32°C/90°F) ou extrêmement froides (moins de 0°C/32°F). Il est acceptable de laisser votre système audio branché. Cela ne surchargera pas la batterie. Si vous laissez le niveau de batterie s'affaiblir sans la recharger pendant 6 mois, elle risquerait de perdre sa capacité de charge de façon permanente.
Réparation	Si la batterie ne parvient plus à se recharger, vérifier le fusible situé près de l'entrée du câble d'alimentation. Si le fusible est intact et que la batterie ne se recharge toujours pas, contactez ION Audio à ionaudio.com .
Élimination	Apportez l'appareil dans un centre de recyclage ou disposez selon les règlements de votre municipalité.

Caractéristiques

Panneau supérieur



1. **Touche veille** : Lorsque le Projector Plus est sous tension (en utilisant l'**interrupteur d'alimentation** du panneau latéral), cette touche permet d'activer et de désactiver le mode veille. En mode veille, le Projector Plus ne s'éteint pas complètement, mais permet de prolonger la durée de vie de la batterie.

Remarque : Lorsque le mode veille du Projector Plus est désactivé et qu'il est complètement allumé, le haut-parleur fonctionnera, mais vous devrez utiliser l'**interrupteur Projector** pour activer le projecteur.

2. **Interrupteur Projector** : Cette touche permet d'activer et de désactiver le projecteur.

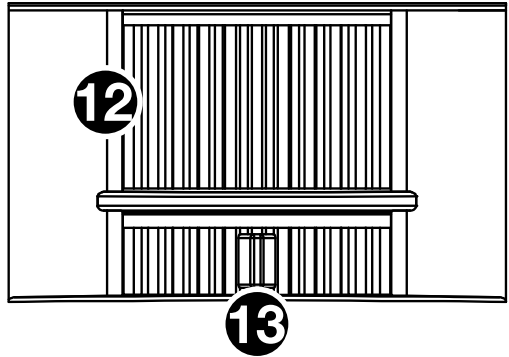
Astuce : Cette fonctionnalité permet de prolonger la durée de vie de la batterie. Si vous utilisez uniquement le Projector Plus pour écouter de la musique à partir d'un appareil Bluetooth ou auxiliaire, cet interrupteur permet de désactiver le projecteur et d'économiser la batterie.
3. **Touche Bluetooth** : Maintenir cette touche enfoncée permet de supprimer la connexion à un appareil Bluetooth et de relancer le mode de jumelage afin de connecter un autre appareil Bluetooth. La **touche Bluetooth** sert uniquement à supprimer la connexion à un appareil Bluetooth, car le Projector Plus reste toujours en mode de jumelage.
4. **Touche Echo** : Cette touche permet d'activer et de désactiver l'effet écho de l'**entrée microphone**.
5. **Touche Source** : Cette touche permet de sélectionner la source vidéo qui sera projetée par le Projector Plus : le **port USB** ou le **port HDMI**.
6. **Touche Menu** : Cette touche permet d'accéder aux paramètres d'image du projecteur. Utilisez ensuite les **touches directionnelles** et la **touche OK** du **pavé de navigation** pour modifier les paramètres.
7. **Touche Return** : Lors de l'utilisation du projecteur, cette touche permet d'accéder à la page précédente.
8. **Pavé de navigation** : Ces touches permettent de parcourir les pages et de sélectionner et modifier les paramètres du projecteur. Les **touches directionnelles** permettent de sélectionner et de modifier les différentes options et la **touche OK** permet de confirmer la sélection.
9. **DEL d'état** : De gauche à droite, les quatre DEL sont :
 - **DEL de veille** : Cette DEL est éteinte lorsque le Projector Plus est hors tension, rouge lorsqu'il est sous tension et verte lorsqu'il est en mode veille.
 - **DEL Bluetooth** : Cette DEL est bleue lorsque le Projector Plus est jumelé à une source audio Bluetooth.
 - **DEL Echo** : Cette DEL est rouge lorsque l'effet écho du microphone est activé.
 - **DEL de la batterie** : Cette DEL devient rouge et clignote lorsque la batterie du Projector Plus est faible. Lorsque le Projector Plus est connecté à une source d'alimentation et en cours de rechargement, la DEL est rouge et cesse de clignoter, puis devient verte lorsque la batterie est complètement chargée.

10. **Bouton Volume** : Ce bouton permet de régler le niveau du volume du haut-parleur.

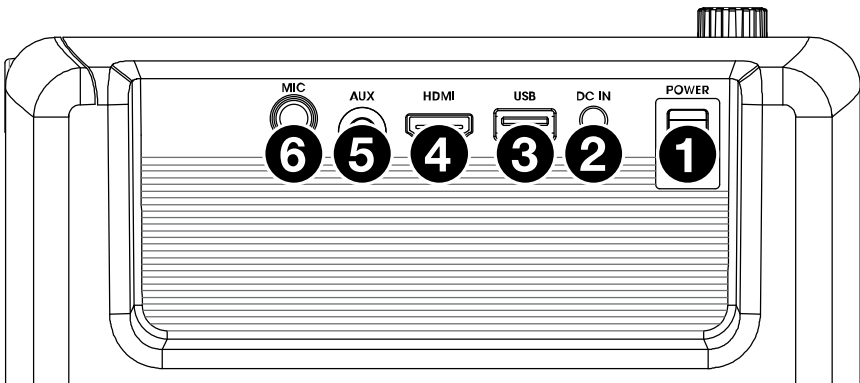
11. **Bouton Mic** : Ce bouton permet d'ajuster le volume de l'entrée microphone.

12. **Bague de mise au point** : Tourner cette bague vers la gauche et vers la droite permet d'obtenir une image plus nette du projecteur. Le réglage de la **bague de mise au point** dépend de la distance entre le Projector Plus et l'écran de projection.

13. **Correction trapézoïdale** : Lorsque le Projector Plus n'est pas sur une surface plane, ce levier permet d'incliner l'objectif du projecteur afin qu'il soit perpendiculaire à l'écran de projection.

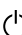



Panneau latéral



1. **Interrupteur d'alimentation** : Cet interrupteur permet de mettre Projector Plus sous et hors tension.
2. **Entrée d'alimentation** : Cette entrée permet de brancher le câble d'alimentation fourni pour recharger l'appareil.
3. **Port USB** : Ce port permet de brancher une clé USB pour faire la lecture de fichiers vidéo, photo, audio et texte.
4. **Port HDMI** : Ce port permet de brancher un ordinateur, un lecteur DVD ou un autre appareil afin de projeter une vidéo.
5. **Entrée auxiliaire 3,5 mm** : Cette entrée auxiliaire stéréo de 3,5 mm permet de brancher un lecteur MP3 ou une autre source audio.
6. **Entrée microphone 6,35 mm** : Cette entrée 6,35 mm permet de brancher le microphone fourni afin de l'utiliser durant la lecture audio ou la projection de vidéo. Le son du microphone est transmis par le haut-parleur du Projector Plus. Le volume du microphone est commandé par le **bouton Mic**.

Télécommande

-  (**Touche d'alimentation**) : Cette touche permet de mettre le Projector Plus sous et hors tension.
- **PROJ** : Cette touche permet d'activer et de désactiver le projecteur.
- **◀◀ (Précédent)** : Cette touche permet de revenir au fichier USB précédent.
- **▶▶ (Suivant)** : Cette touche permet de passer au fichier USB suivant.
- **◀◀ (Retour arrière)** : Cette touche permet de faire un retour arrière sur un fichier audio ou vidéo USB.
- **▶▶ (Avance rapide)** : Cette touche permet de faire une avance rapide sur un fichier audio ou vidéo USB.
- **▶|| (Lancer/interrompre la lecture)** : Cette touche permet de lancer ou d'interrompre le diaporama, le fichier vidéo ou audio USB.
- **Vol-** : Cette touche permet de diminuer le volume du haut-parleur du Projector Plus.
- **Vol+** : Cette touche permet d'augmenter le volume du haut-parleur du Projector Plus.
- **Flip** : Cette touche permet d'inverser l'image du projecteur.
- **Source** : Cette touche permet d'ouvrir le menu permettant de sélectionner la source du projecteur et bascule entre deux options : **HDMI** ou **lecteur multimédia USB**.
- **Zoom** : Cette touche permet de basculer entre les options de zoom du projecteur.
- **Pavé de navigation** : Ces touches permettent de parcourir les pages et de sélectionner et modifier les paramètres du projecteur.
- **Touche Exit** : Lors de l'utilisation du projecteur, cette touche permet d'accéder à la page précédente.
- **Menu** : Cette touche permet d'accéder aux paramètres d'image du projecteur.
- **Touches numériques** : Ces touches permettent d'entrer un code temporel pour le fichier audio ou vidéo USB.
- **Echo** : Cette touche permet d'activer et de désactiver l'effet écho de l'**entrée microphone**.
-  (**Bluetooth**) : Maintenir cette touche enfoncée permet de supprimer la connexion à un appareil Bluetooth et de relancer le mode de jumelage afin de connecter un autre appareil Bluetooth.

Démarrage

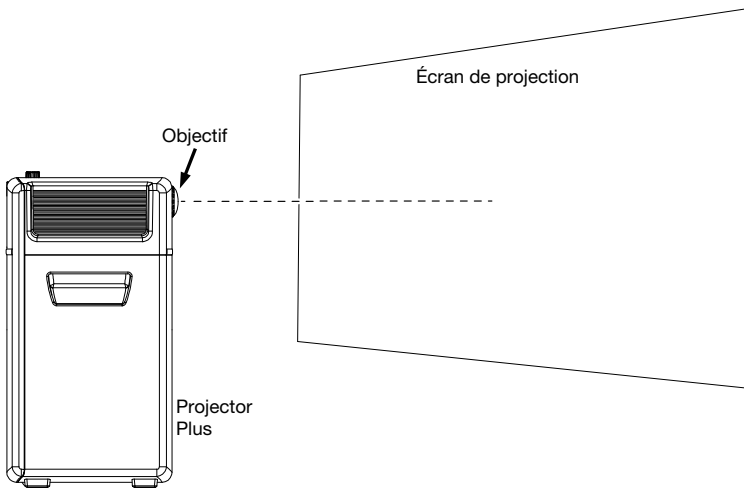
Utilisation du projecteur

Pour installer le projecteur :

1. Mettez le projecteur sous tension en actionnant l'**interrupteur d'alimentation** du Projector Plus, puis en appuyant sur la **touche** Projector.
2. Placez le Projector Plus devant l'écran de projection, en vous assurant que l'objectif est bien face à l'écran. Plus le projecteur est près de l'écran de projection, plus la taille de la vidéo projetée sera petite. L'image devient plus nette lorsque la taille de la vidéo projetée est entre 76 cm et 381 cm.

Remarque : L'objectif doit être à la même hauteur que le centre de la vidéo projetée, comme sur l'image ci-dessous.

3. Procédez à la mise au point de l'objectif si nécessaire en tournant la bague de mise au point jusqu'à ce que l'image soit nette.



Quelques conseils sur l'utilisation du projecteur :

- Le projecteur fonctionne mieux lorsqu'il est utilisé dans un environnement sombre.
- Le blanc est la couleur idéale pour la surface de l'écran de projection.
- L'objectif doit être perpendiculaire à l'écran de projection. Si le Projector Plus n'est pas placé sur une surface plane, vous pouvez corriger l'angle de l'objectif en utilisant la **correction trapézoïdale** ou en levant/baissant le pied ajustable sur le dessous de l'appareil.
- Lorsque vous avez terminé d'utiliser le projecteur, remplacez le protège-lentille sur l'objectif. En cas de difficultés, utilisez la **bague de mise au point** pour déployer l'objectif suffisamment afin que le protège-lentille s'enclenche.

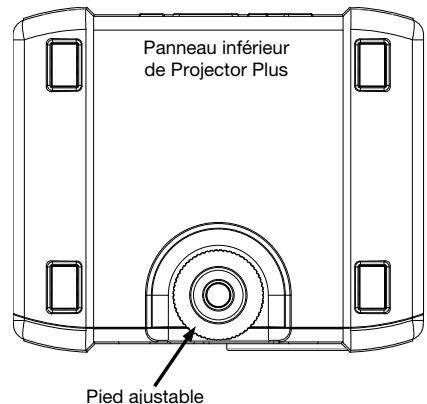
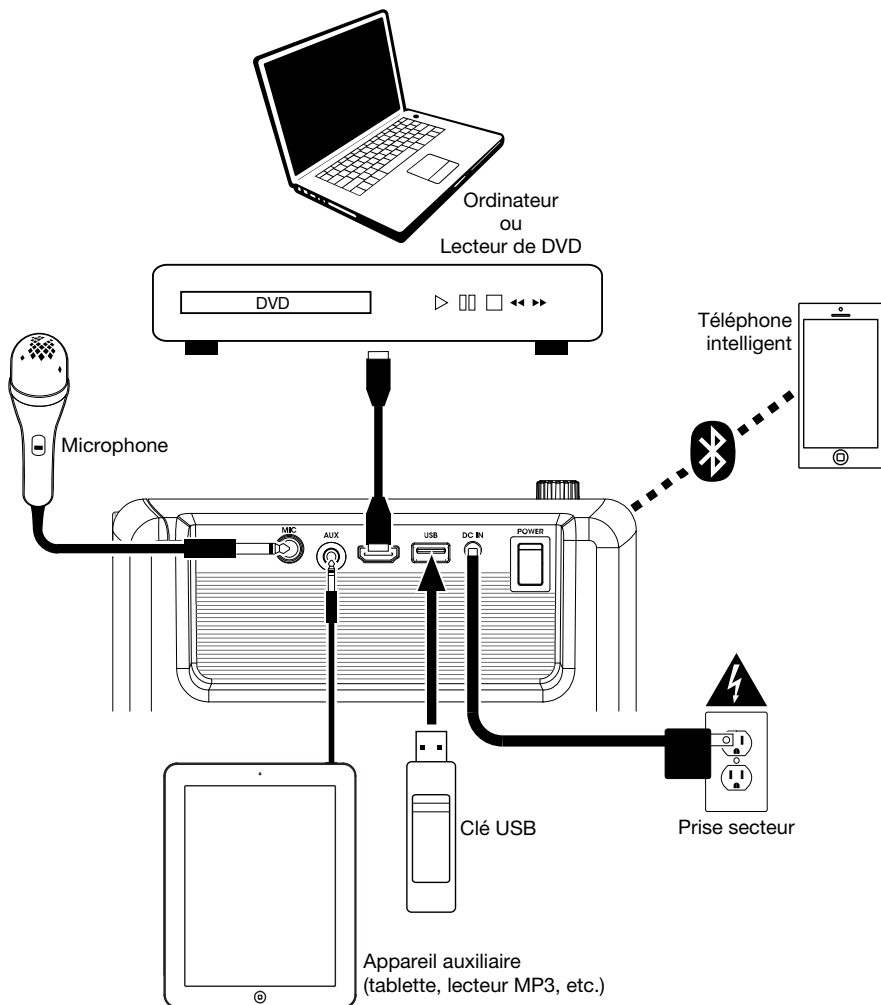


Diagramme de connexion

Les éléments qui ne figurent pas dans le [Présentation > Contenu de la boîte](#) sont vendus séparément.



Fonctionnement

Sélection de la source du projecteur

Avec le Projector Plus, vous pouvez projeter un fichier vidéo à partir d'un appareil branché au **port HDMI** ou projeter un fichier image, audio, vidéo ou texte à partir d'une clé USB branchée sur le **port USB**.

Remarque : Pour connaître les formats de fichier que le Projector Plus peut lire sur une clé USB, veuillez consulter [Appendix](#).

Pour allumer et éteindre le projecteur, appuyez sur la **touche Projector** alors que le Projector Plus est complètement allumé et n'est plus en mode veille.

Pour sélectionner la source vidéo du projecteur :

1. Appuyez sur la **touche Source** lorsque le projecteur est allumé, et un menu apparaîtra à droite de l'écran du projecteur.
2. Appuyez de nouveau sur la **touche Source** pour basculer entre **HDMI** et **USB Media Player**. Utilisez ensuite les **touches directionnelles** du **pavé de navigation** pour sélectionner l'option désirée.
3. Lorsque la source désirée est sélectionnée, appuyez sur la **touche OK** pour confirmer la sélection.

Si l'option **USB Media Player** est sélectionnée comme source du projecteur, le coin supérieur gauche de l'écran indique si un lecteur USB est connecté et quatre icônes apparaissent sur l'écran de projection : photo, musique, vidéo et texte. C'est l'écran d'accueil lorsque l'option **USB Media Player** est sélectionnée comme source du projecteur. Lors du visionnement de fichiers sur une clé USB, vous pouvez revenir à l'écran d'accueil à tout moment en appuyant sur la touche **Return** jusqu'à ce que vous reveniez à l'écran d'accueil.

Si l'option **HDMI** est sélectionnée comme source audio, le projecteur transmettra en direct le contenu sélectionné de l'appareil branché sur le **port HDMI**.

Veuillez consulter les sections suivantes de ce guide pour en savoir plus sur l'utilisation du Projector Plus avec une clé USB ou avec un appareil branché au **port HDMI**.

Pour régler les paramètres d'image du projecteur ou d'autres paramètres, appuyez sur la **touche Menu** à tout moment lorsque le projecteur est allumé. Utilisez les **touches directionnelles** du **pavé de navigation** pour parcourir les paramètres, puis appuyez sur la **touche OK** pour les sélectionner.

Projection de fichiers image depuis une clé USB

Pour projeter des images depuis une clé USB :

1. Insérez la clé USB dans le **port USB** du Projector Plus. Sélectionnez **USB Media Player** comme source du projecteur, puis accédez à l'écran d'accueil (comme décrit dans la section **Sélection de la source du projecteur**).
2. Utilisez les **touches directionnelles** pour sélectionner l'icône photo. Appuyez ensuite sur la **touche OK**.
3. Le projecteur affichera la liste des répertoires sur la clé USB. Utilisez les **touches directionnelles** pour sélectionner le répertoire qui contient les fichiers image désirés. Appuyez ensuite sur la **touche OK** lorsque le nom du répertoire est sélectionné.
4. Le projecteur affichera la liste des dossiers/fichiers image de ce répertoire. Utilisez les **touches directionnelles** pour sélectionner le dossier qui contient les fichiers image désirés. Appuyez ensuite sur la **touche OK** pour sélectionner ce dossier. S'il n'y a pas de dossiers dans le répertoire ou si les fichiers image désirés ne se trouvent dans aucun dossier, passez à l'étape 5.
5. Le projecteur affichera la liste des fichiers image. Utilisez les **touches directionnelles** pour parcourir les fichiers image. Lorsque le fichier image que vous souhaitez afficher est sélectionné, appuyez sur la **touche OK** pour confirmer la sélection.
6. Le projecteur affichera l'image et lancera un diaporama en commençant par cette image et passera ensuite les autres images du dossier ou du répertoire sélectionné en ordre alphabétique.

Afin de régler la projection des fichiers image, vous pouvez utiliser le menu situé en bas de l'écran du projecteur. Si le menu n'apparaît pas automatiquement, appuyez sur la **touche OK** alors qu'une image est affichée.

Lorsque le menu est affiché, vous pouvez utiliser les **touches directionnelles, OK et Return** pour parcourir les options suivantes :

- **Play/Pause** : Cette option permet de lancer ou d'interrompre le diaporama.
- **Prev.** : Cette option permet de revenir à l'image précédente du diaporama.
- **Next** : Cette option permet de passer à l'image suivante du diaporama.
- **Stop** : Cette option permet d'arrêter le diaporama et de revenir à la liste des fichiers image du dossier ou du répertoire sélectionné.
- **Repeat** : Cette option permet de basculer entre les options de répétition. Si l'option **Repeat...** est sélectionnée, le diaporama s'arrête une fois que toutes les images du dossier ou du répertoire ont été affichées. Si l'option **Repeat 1** est sélectionnée, le diaporama affichera uniquement l'image sélectionnée. Si l'option **Repeat All** est sélectionnée, le diaporama affichera toutes les images du dossier ou du répertoire en continu.
- **PList** : Cette option permet d'afficher une liste des fichiers image du dossier ou du répertoire sélectionné afin de changer la photo/afficher la liste de lecture du diaporama sans avoir à quitter le diaporama.
- **Info** : Cette option permet d'afficher les spécifications de l'image projetée.
- **Rotate** : Cette option permet de faire pivoter l'image de 90 degrés.
- **ZoomI** : Cette option permet d'effectuer un zoom avant.
- **ZoomO** : Cette option permet d'effectuer un zoom arrière.
- **Move** : Lorsqu'une image est agrandie à plus de 100 % de sa taille, cette option permet d'ajuster la partie de l'image visible sur l'écran de projection.
- **Slide** : Cette option permet de basculer entre les modes de transition du diaporama.

Pour masquer le menu du diaporama, appuyez sur la **touche directionnelle du bas**.

Pour quitter le diaporama, appuyez sur la **touche Return** à tout moment.

Faire la lecture de fichiers audio depuis une clé USB

Faire la lecture audio depuis une clé USB :

1. Insérez la clé USB dans le **port USB** du Projector Plus. Sélectionnez **USB Media Player** comme source du projecteur, puis accédez à l'écran d'accueil (comme décrit dans la section **Sélection de la source du projecteur**).
2. Utilisez les **touches directionnelles** pour sélectionner l'icône musique. Appuyez ensuite sur la **touche OK**.
3. Le projecteur affichera la liste des répertoires sur la clé USB. Utilisez les **touches directionnelles** pour sélectionner le répertoire qui contient les fichiers audio désirés. Appuyez ensuite sur la **touche OK** lorsque le nom du répertoire est sélectionné.
4. Le projecteur affichera la liste des dossiers/fichiers audio de ce répertoire. Utilisez les **touches directionnelles** pour sélectionner le dossier qui contient les fichiers audio désirés. Appuyez ensuite sur la **touche OK** pour sélectionner ce dossier. S'il n'y a pas de dossiers dans le répertoire ou si les fichiers audio désirés ne se trouvent dans aucun dossier, passez à l'étape 5.
5. Le projecteur affichera la liste des fichiers audio. Utilisez les **touches directionnelles** pour parcourir les fichiers audio. Au fur et à mesure que chaque fichier est sélectionné, le Projector Plus commence à jouer un extrait de la chanson. Lorsque le fichier audio que vous souhaitez afficher est sélectionné, appuyez sur la **touche OK** pour confirmer la sélection.
6. Le Projector Plus lancera la lecture du fichier audio sélectionné. L'illustration de la chanson et un visualiseur seront affichés sur l'écran de projection.

Lorsque la chanson sélectionnée est terminée, le Projector Plus poursuit la lecture des autres chansons du dossier ou du répertoire en ordre alphabétique.

Pour régler la lecture des fichiers audio, vous pouvez utiliser le menu situé en bas de l'écran du projecteur. Si le menu n'apparaît pas automatiquement, appuyez sur la **touche OK** alors qu'une chanson joue.

Lorsque le menu est affiché, vous pouvez utiliser les **touches directionnelles**, **OK** et **Return** pour parcourir les options suivantes :

- **Play/Pause** : Cette option permet de lancer ou d'interrompre la lecture du fichier audio.
- **FB** : Cette touche permet de faire un retour arrière sur le fichier audio.
- **FF** : Cette option permet de faire une avance rapide sur le fichier audio.
- **Prev.** : Cette option permet de revenir au fichier audio précédent du dossier ou du répertoire.
- **Next** : Cette option permet de passer au fichier audio suivant du dossier ou du répertoire.
- **Stop** : Cette option permet d'arrêter la lecture et de revenir à la liste des fichiers audio du dossier ou du répertoire sélectionné.
- **Set A/Set B/None** : Cette option permet de mettre en boucle un segment d'un fichier audio en cours de lecture. Afin de programmer le point d'entrée de la boucle, appuyez sur la **touche OK** lorsque l'option **Set A** est sélectionnée. Puis programmez le point de fin de la boucle en sélectionnant l'option **Set B**. Une fois programmée, la boucle se répétera. Pour désactiver la boucle, appuyez sur la **touche OK** lorsque l'option **None** est sélectionnée.
- **Mute** : Cette option permet de mettre en sourdine le fichier audio.
- **PList** : Cette option permet d'afficher une liste des fichiers audio du dossier ou du répertoire sélectionné afin de changer la chanson/afficher la liste sans avoir à arrêter la musique.
- **Info** : Cette option permet d'afficher les spécifications du fichier audio.
- **GoTime** : Cette option permet d'entrer un code temporel auquel le Projector Plus doit passer. Vous pouvez utiliser les **touches directionnelles** ou **numériques** de la télécommande pour entrer le code temporel.

Pour masquer le menu, appuyez sur la **touche directionnelle du bas**.

Pour retourner à la liste des fichiers du dossier ou du répertoire, appuyez sur la **touche Return** à tout moment.

Projection de fichiers vidéo depuis une clé USB

Faire la lecture de vidéos depuis une clé USB :

1. Insérez la clé USB dans le **port USB** du Projector Plus. Sélectionnez **USB Media Player** comme source du projecteur, puis accédez à l'écran d'accueil (comme décrit dans la section [Sélection de la source du projecteur](#)).
2. Utilisez les **touches directionnelles** pour sélectionner l'icône vidéo. Appuyez ensuite sur la **touche OK**.
3. Le projecteur affichera la liste des répertoires sur la clé USB. Utilisez les **touches directionnelles** pour sélectionner le répertoire qui contient les fichiers vidéo désirés. Appuyez ensuite sur la **touche OK** lorsque le nom du répertoire est sélectionné.
4. Le projecteur affichera la liste des dossiers/fichiers vidéo de ce répertoire. Utilisez les **touches directionnelles** pour sélectionner le dossier qui contient les fichiers vidéo désirés. Appuyez ensuite sur la **touche OK** pour sélectionner ce dossier. S'il n'y a pas de dossiers dans le répertoire ou si les fichiers vidéo désirés ne se trouvent dans aucun dossier, passez à l'étape 5.
5. Le projecteur affichera la liste des fichiers vidéo. Utilisez les **touches directionnelles** pour parcourir les fichiers vidéo. Au fur et à mesure que chaque fichier est sélectionné, le Projector Plus commence à projeter un extrait de la vidéo. Lorsque le fichier vidéo que vous souhaitez projeter est sélectionné, appuyez sur la **touche OK** pour confirmer la sélection.
6. Une fenêtre contextuelle vous demandera si vous souhaitez reprendre la lecture de la vidéo. Sélectionnez **Yes** (oui) ou **No** (non). Si vous sélectionnez **Yes**, la lecture de la vidéo reprendra à partir du point où l'aperçu de la vidéo s'est arrêté. Si vous sélectionnez **No**, la vidéo recommencera depuis le début. Si vous avez confirmé la sélection du fichier vidéo bien avant qu'un aperçu puisse commencer, la vidéo commencera automatiquement depuis le début.

Lorsque la vidéo sélectionnée est terminée, le Projector Plus poursuit la lecture des autres vidéos du dossier ou du répertoire en ordre alphabétique.

Afin de régler la projection des fichiers vidéo, appuyez sur la **touche OK** afin d'afficher le menu situé en bas de l'écran du projecteur. Utilisez ensuite les **touches directionnelles**, **OK** et **Return** pour parcourir les options suivantes :

- **Play/Pause** : Cette option permet de lancer ou d'interrompre la lecture de la vidéo.
- **FB** : Cette option permet de faire un retour arrière sur le fichier vidéo.
- **FF** : Cette option permet de faire une avance rapide sur le fichier vidéo.
- **Prev.** : Cette option permet de revenir au fichier vidéo précédent du dossier ou du répertoire.
- **Next** : Cette option permet de passer au fichier vidéo suivant du dossier ou du répertoire.
- **Stop** : Cette option permet d'arrêter la lecture et de revenir à la liste des fichiers vidéo du dossier ou du répertoire sélectionné.
- **Repeat** : Cette option permet de basculer entre les options de répétition. Si l'option **Repeat...** est sélectionnée, la lecture s'arrête une fois que toutes les vidéos du dossier ou du répertoire ont été lues. Si l'option **Repeat 1** est sélectionnée, le Projector Plus fera la lecture du fichier vidéo sélectionné en continu. Si l'option **Repeat All** est sélectionnée, le Projector Plus fera la lecture de tous les fichiers vidéo du dossier ou du répertoire en continu.
- **Set A/Set B/None** : Cette option permet de mettre en boucle un segment du fichier vidéo en cours de lecture. Afin de programmer le point d'entrée de la boucle, appuyez sur la **touche OK** lorsque l'option **Set A** est sélectionnée. Puis programmez le point de fin de la boucle en sélectionnant l'option **Set B**. Une fois programmée, la boucle se répétera. Pour désactiver la boucle, appuyez sur la **touche OK** lorsque l'option **None** est sélectionnée.
- **PList** : Cette option permet d'afficher une liste des fichiers vidéo du dossier ou du répertoire sélectionné afin de changer la vidéo/afficher la liste sans avoir à arrêter la lecture.
- **Info** : Cette option permet d'afficher les spécifications du fichier vidéo.
- **SlowF** : Cette option permet de basculer entre les options de lecture au ralenti.

- **StepF** : Cette option permet de figer la vidéo, puis faire des avances rapides par petits incréments à chaque sélection.
- **GoTime** : Cette option permet d'entrer un code temporel auquel le Projector Plus doit passer. Utilisez les **touches directionnelles** ou **numériques** de la télécommande pour entrer le code temporel.
- **ZoomI** : Cette option permet d'effectuer un zoom avant sur la vidéo.
- **ZoomO** : Cette option permet d'effectuer un zoom arrière sur la vidéo.
- **Aspect** : Cette option permet de basculer entre les paramètres de format d'image.
- **Move** : Lorsqu'une image est agrandie à plus de 100 % de sa taille, cette option permet d'ajuster la partie de la vidéo visible sur l'écran de projection.

Pour masquer le menu, appuyez sur la **touche directionnelle du bas**.

Pour retourner à la liste des fichiers du dossier ou du répertoire, appuyez sur la **touche Return** à tout moment.

Projection de fichiers texte depuis une clé USB

Faire la lecture de fichiers texte depuis une clé USB :

1. Insérez la clé USB dans le **port USB** du Projector Plus. Sélectionnez **USB Media Player** comme source du projecteur, puis accédez à l'écran d'accueil (comme décrit dans la section **Sélection de la source du projecteur**).
2. Utilisez les **touches directionnelles** pour sélectionner l'icône texte. Appuyez ensuite sur la **touche OK**.
3. Le projecteur affichera la liste des répertoires sur la clé USB. Utilisez les **touches directionnelles** pour sélectionner le répertoire qui contient les fichiers texte désirés. Appuyez ensuite sur la **touche OK** lorsque le nom du répertoire est sélectionné.
4. Le projecteur affichera la liste des dossiers/fichiers texte de ce répertoire. Utilisez les **touches directionnelles** pour sélectionner le dossier qui contient les fichiers texte désirés. Appuyez ensuite sur la **touche OK** pour sélectionner ce dossier. S'il n'y a pas de dossiers dans le répertoire ou si les fichiers texte désirés ne se trouvent dans aucun dossier, passez à l'étape 5.
5. Le projecteur affichera la liste des fichiers texte. Utilisez les **touches directionnelles** pour parcourir les fichiers texte. Au fur et à mesure que chaque fichier est sélectionné, le Projector Plus affiche un aperçu du fichier. Lorsque le fichier texte que vous souhaitez afficher est sélectionné, appuyez sur la **touche OK** pour confirmer la sélection.
6. Le projecteur affichera le fichier texte.

Afin de régler la projection des fichiers texte du dossier ou du répertoire, appuyez sur la **touche OK** afin d'afficher le menu situé en bas de l'écran du projecteur. Utilisez ensuite les **touches directionnelles, OK** et **Return** pour parcourir les options suivantes :

- **Prev...** : Cette option permet de revenir à la page précédente du fichier texte.
- **Nex...** : Cette option permet de passer à la page suivante du fichier texte.
- **Prev.** : Cette option permet de revenir au fichier texte précédent du dossier ou du répertoire.
- **Next** : Cette option permet de passer au fichier texte suivant du dossier ou du répertoire.
- **Stop** : Cette option permet de fermer le fichier texte et de revenir à la liste des fichiers du dossier ou du répertoire.
- **PList** : Cette option permet d'afficher une liste des fichiers texte du dossier ou du répertoire sélectionné afin de changer le document/afficher la liste sans avoir à fermer le document.
- **Info** : Cette option permet d'afficher les spécifications du fichier texte.

Pour masquer le menu, appuyez sur la **touche directionnelle du bas**.

Pour retourner à la liste des fichiers du dossier, appuyez sur la **touche Return** à tout moment.

Projection de fichiers vidéo depuis un appareil branché au port HDMI

Projection de fichiers vidéo depuis un appareil branché au port HDMI (comme un lecteur DVD ou un ordinateur) :

1. Utilisez un câble HDMI afin de relier l'appareil au port **HDMI Port** du Projector Plus.
2. Sélectionnez HDMI comme source audio (comme décrit dans la section [Sélection de la source du projecteur](#)).
3. Une fois que l'entrée HDMI est sélectionnée comme source du projecteur, le projecteur affichera le fichier en cour de lecture sur l'appareil connecté au **port HDMI**. Utilisez les commandes de l'appareil connecté pour régler la lecture si nécessaire.

Faire la lecture de musique depuis un appareil Bluetooth

Lorsque le Projector Plus est jumelé à un appareil Bluetooth, tel un téléphone intelligent, il peut diffuser la musique de l'appareil par l'entremise de son haut-parleur. Vous pouvez écouter de la musique depuis l'appareil Bluetooth lorsque le projecteur est allumé et fonctionne ou lorsque le projecteur est éteint.

Pour jumeler un appareil Bluetooth :

1. Mettez l'appareil Bluetooth, puis le Projector Plus sous tension afin de lancer le processus de jumelage automatiquement (le Projector Plus reste toujours en mode de jumelage). Si la **DEL Bluetooth** est éteinte, le Projector Plus n'est pas jumelé à l'appareil Bluetooth.
2. Accédez à l'écran de configuration de l'appareil Bluetooth. Recherchez et sélectionnez **Projector Plus**.* Lorsque le Projector Plus est jumelé à l'appareil Bluetooth, la **DEL Bluetooth** est bleue. En outre, le haut-parleur émettra une brève tonalité une fois le jumelage terminé.

Remarque : Si l'appareil Bluetooth vous demande un code de jumelage, saisissez « **0000** ».

Remarque : Si l'appareil Bluetooth a déjà été jumelé au Projector Plus, il est possible que vous puissiez sauter l'étape 2 et attendre simplement qu'ils se reconnectent suivant la mise sous tension.

Pour **déjumeler un appareil Bluetooth**, maintenez la **touche Bluetooth** enfoncée.

Pour **jumeler un autre appareil Bluetooth**, répétez l'étape 2 après avoir déjumelé l'appareil connecté. Au cours du processus de jumelage, il peut être préférable de déplacer l'autre appareil hors de portée ou de désactiver sa fonction Bluetooth.

Remarque : La plage maximale peut être atteinte avec l'utilisation d'appareils dotés de Bluetooth 4.0.

Remarque : Veuillez mettre à jour le système d'exploitation de votre appareil Bluetooth si vous éprouvez des problèmes durant le jumelage ou lors de la lecture de musique.

Faire la lecture de musique depuis un appareil auxiliaire

Vous pouvez écouter de la musique à partir d'un appareil auxiliaire, tel un iPod ou autre lecteur MP3, par l'intermédiaire du Projector Plus. Vous pouvez écouter de la musique depuis l'appareil auxiliaire lorsque le projecteur est allumé et fonctionne ou lorsque le projecteur est éteint.

Pour écouter de la musique depuis un appareil auxiliaire par l'intermédiaire du Projector Plus :

1. Utilisez un câble standard de 3,5 mm afin de relier la sortie de l'appareil auxiliaire à l'entrée auxiliaire du Projector Plus.
2. Utilisez les commandes de l'appareil auxiliaire pour lancer et interrompre la lecture d'une piste, changer de piste, etc.

Remarque : Si le son de l'appareil auxiliaire est déformé, essayez de diminuer le volume sur l'appareil. Le volume de l'appareil auxiliaire ne doit pas être au maximum.

Dépannage

Si l'appareil ne se recharge pas : Veuillez-vous assurer que le câble d'alimentation secteur est correctement branché à l'entrée d'alimentation et à une prise secteur.

Lorsqu'il y a de la distorsion : Essayez de diminuer le volume sur l'appareil d'entrée audio ou l'instrument de musique. Essayez également de diminuer le volume de la Projector Plus.

Lorsqu'il y a trop de basses fréquences : Essayez de régler le niveau de tonalité et d'égalisation de la Projector Plus ou de la source d'entrée audio afin de diminuer le niveau des basses fréquences. Cela vous permettra d'augmenter le volume de la musique avant que l'écrêtage se produise.

Lorsqu'il y a un sifflement aigu lors de l'utilisation d'un microphone : Ceci est probablement causé par la rétroaction (effet Larsen). Dirigez le microphone loin de l'enceinte.

Si vous ne pouvez entendre le microphone à cause du volume trop élevé de la musique : Baissez le volume de la musique provenant de la source.

Si vous ne pouvez connecter votre appareil audio à la Projector Plus par connexion Bluetooth :

- Veillez à ce que votre appareil audio (p. ex., smartphone ou tablette) et la Projector Plus soient le plus près possible l'un de l'autre lors du jumelage. Veillez également à ce qu'aucun obstacle ne se trouve entre l'appareil audio et la Projector Plus, comme des meubles, etc.
- Réinitialisez la connexion Bluetooth sur la Projector Plus afin de supprimer toute connexion à la Projector Plus et recommencer le processus de recherche d'appareil. Si cela ne fonctionne pas immédiatement, mettez la Projector Plus hors tension et de nouveau sous tension.
- Réinitialisez la connexion Bluetooth sur l'appareil audio en désactivant et réactivant la connexion Bluetooth. Vous pouvez effectuer ceci à partir du menu Bluetooth dans les Réglages de votre smartphone ou autre appareil audio.

Si cela ne fonctionne pas et que vous avez déjà connecté votre appareil à la Projector Plus auparavant, veuillez rechercher la Projector Plus dans la liste des appareils disponibles ou précédemment connectés dans le menu Bluetooth de votre appareil audio, puis appuyer sur l'icône engrenage ou « i » située à côté de « Oublier cet appareil ». Mettez la Projector Plus hors tension et de nouveau sous tension et réessayez de la jumeler une fois qu'elle apparaît dans la liste des appareils disponibles.

Remarque : Si la Projector Plus a été récemment jumelée à un autre appareil audio qui est toujours dans son champ de portée, il se peut que vous deviez répéter ce processus avec cet appareil audio afin de supprimer la connexion.

Appendix (English)

Technical Specifications

Bluetooth	Version: 5.0
Input Ports	HDMI, USB, Aux In, Mic In
Light Source Type	LED
Display Native Resolution	800 x 480 RGB
Projection Size	30–150 inch
HDMI Input	Supported Video Resolutions: 1080p, 1080i, 720p, 576i, 480p, 480i
USB Compatibility	Maximum USB Drive Size: 32 GB Supported Picture Formats: JPG, GIF, BMP, PNG Supported Audio Formats: MP3, WAV Supported Video Formats: Mpeg1, Mpeg2, Mpeg4, AVI, RMVB, MOV, MJPEG Supported Text Format: TXT
Battery Type	Built-in rechargeable Lithium Ion
DC In Power	12 V, 4.5 A
Dimensions (width x depth x height)	9.4" x 7.9" x 15" 24 x 20.2 x 38.2 cm
Weight	8.73 lb. 3.96 kg

Specifications are subject to change without notice. Bluetooth and wireless reception and range are affected by walls, obstructions, and movement. For optimal performance, place the product in the center of the room so it is unobstructed by walls, furniture, etc. Battery life may vary based on temperature, age, and volume usage of product.

Trademarks & Licenses

ION Audio is a trademark of inMusic Brands, Inc., registered in the U.S. and other countries. The *Bluetooth* word mark and logos are owned by the Bluetooth SIG, Inc. and any use of such marks by ION Audio is under license. All other product names, company names, trademarks, or trade names are those of their respective owners.

ionaudio.com