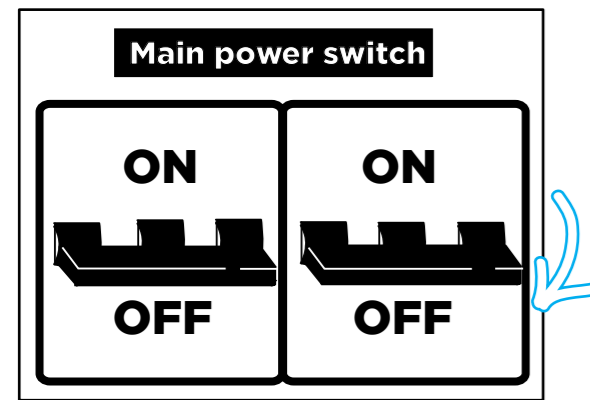
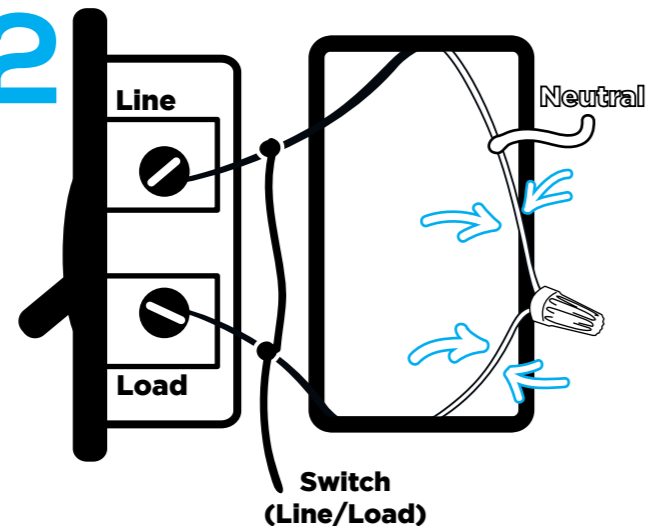
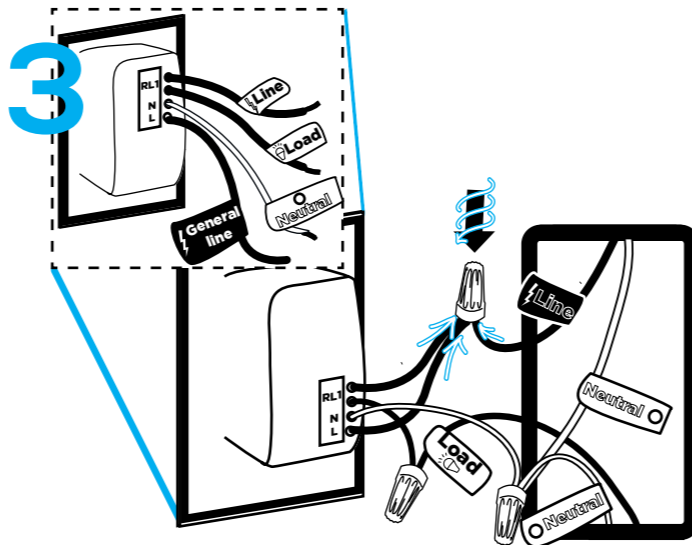


**1**

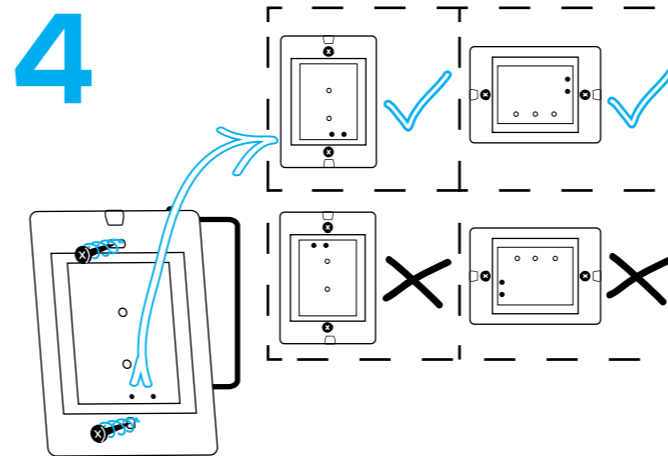
Turn off the power at the circuit breaker for the switch you are replacing.

**2**

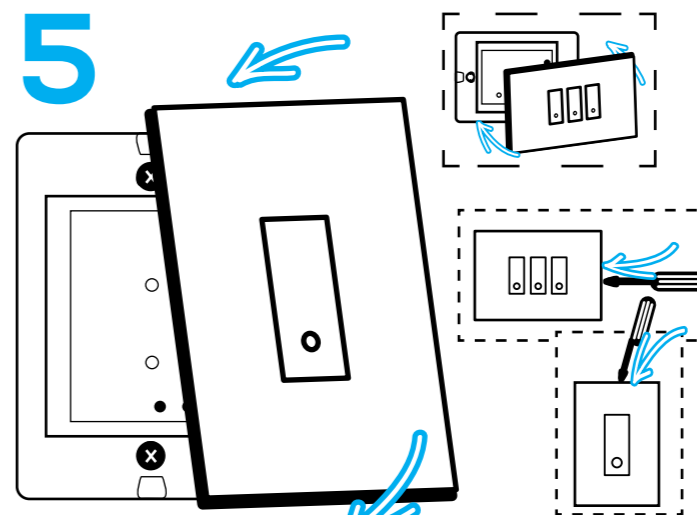
Remove your old switch and label your wires. Remember that you **must** have a Neutral wire to install iotty Light Switch.

**3**

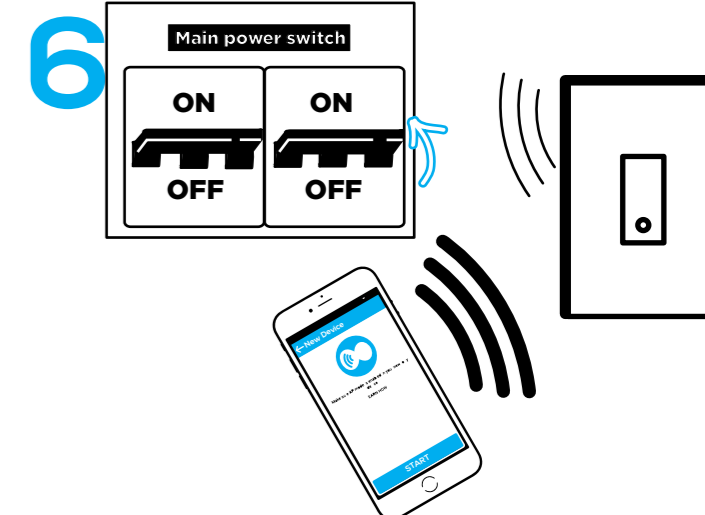
Connect Neutral wires together. Each RL has two wires, connect one to the Load and the other to the General Line together with the iotty wire labeled with L. In case you found the ground wire, just place it into the wall box.

**4**

Push all the wires back into the wall box and try to allow as much space for the switch as possible. Place the iotty Light Switch into the box and screw in. Place the two black buttons **down** (or **right** if you have multiple gangs)

**5**

Attach your iotty Light Switch faceplate starting from one of the two short side. To remove use a screwdriver to lift the faceplate.

**6**

Turn on the power at the circuit breaker. Download the iotty app and sign in. Connect to your iotty Light Switch wifi [IOTTY\_serial-number]. Now go to the app and add a new device.

WARNING: Electrical wirings of the iotty Light Switch should be done by a professional electrician. Incorrect installation is dangerous or illegal. Please call a professional electrician if you are unfamiliar or uncomfortable with electrical work.

