

Ice-O-Matic[®]

SERVICE PARTS MANUAL

MFI Series

MFI0500, MFI0800, MFI1256, MFI1255



Ice-O-Matic
11100 East 45th Ave
Denver, Colorado 80239
Part Number 9081362-01

Date 1/09

This parts list contains the service parts available for the MFI Series icemakers listed below:

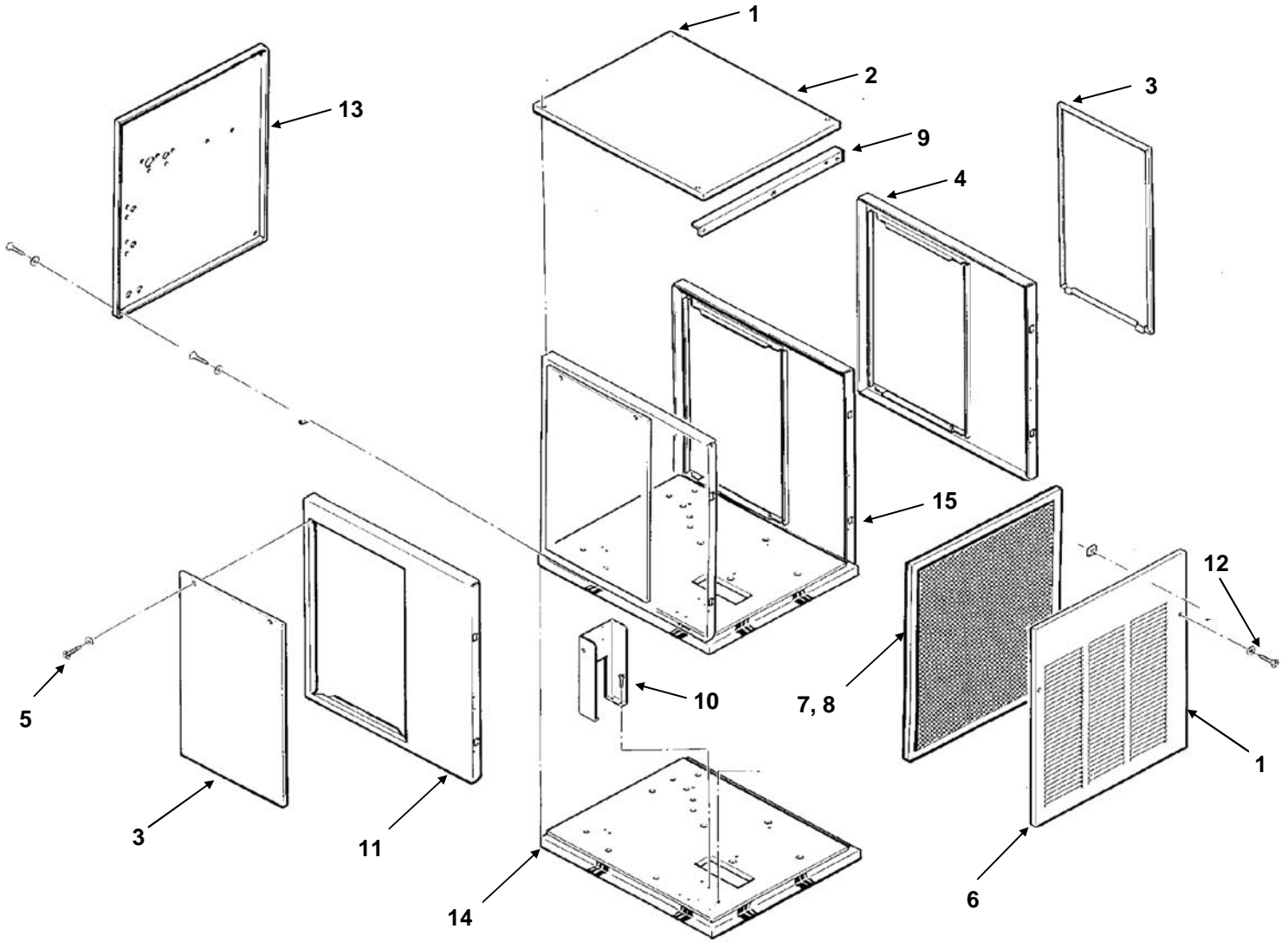
MFI0500 Air Cooled
MFI0800 Air Cooled
MFI0805 Air Cooled
MFI1256 Air Cooled
MFI1255 Air Cooled

Check the model number on the data plate and refer to the correct listing for the specific component.

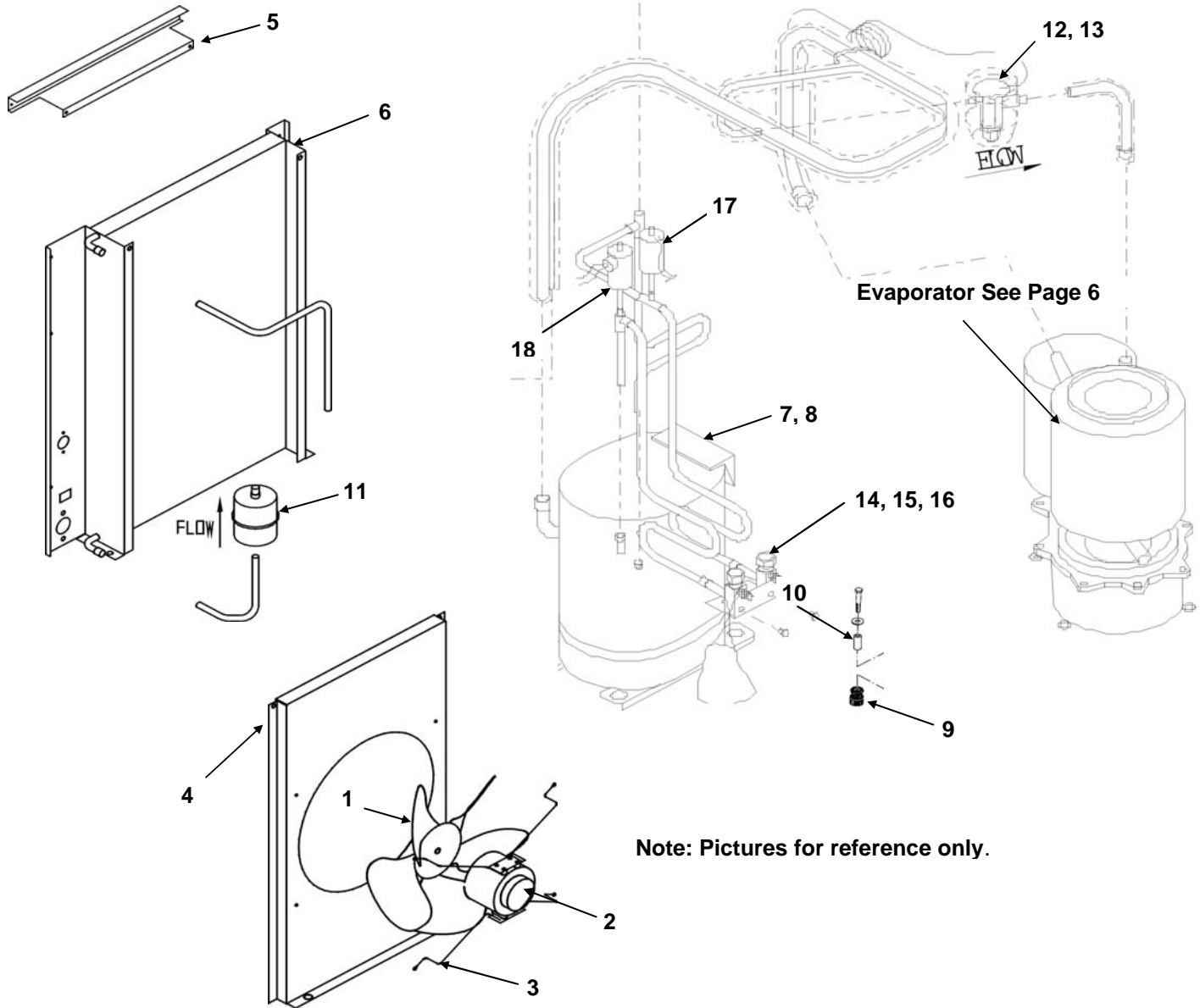
Check carefully that the correct part is identified and ordered.

| | |
|-------------------------|--------|
| Table of Contents | Page 1 |
| Cabinet Assembly | Page 2 |
| Air Cooled | Page 3 |
| Down Chute/Water System | Page 4 |
| Gearmotor | Page 5 |
| Evaporator | Page 6 |
| Control Box | Page 7 |

Ice-O-Matic
11100 East 45th Ave.
Denver Co. 80239
800-423-3367

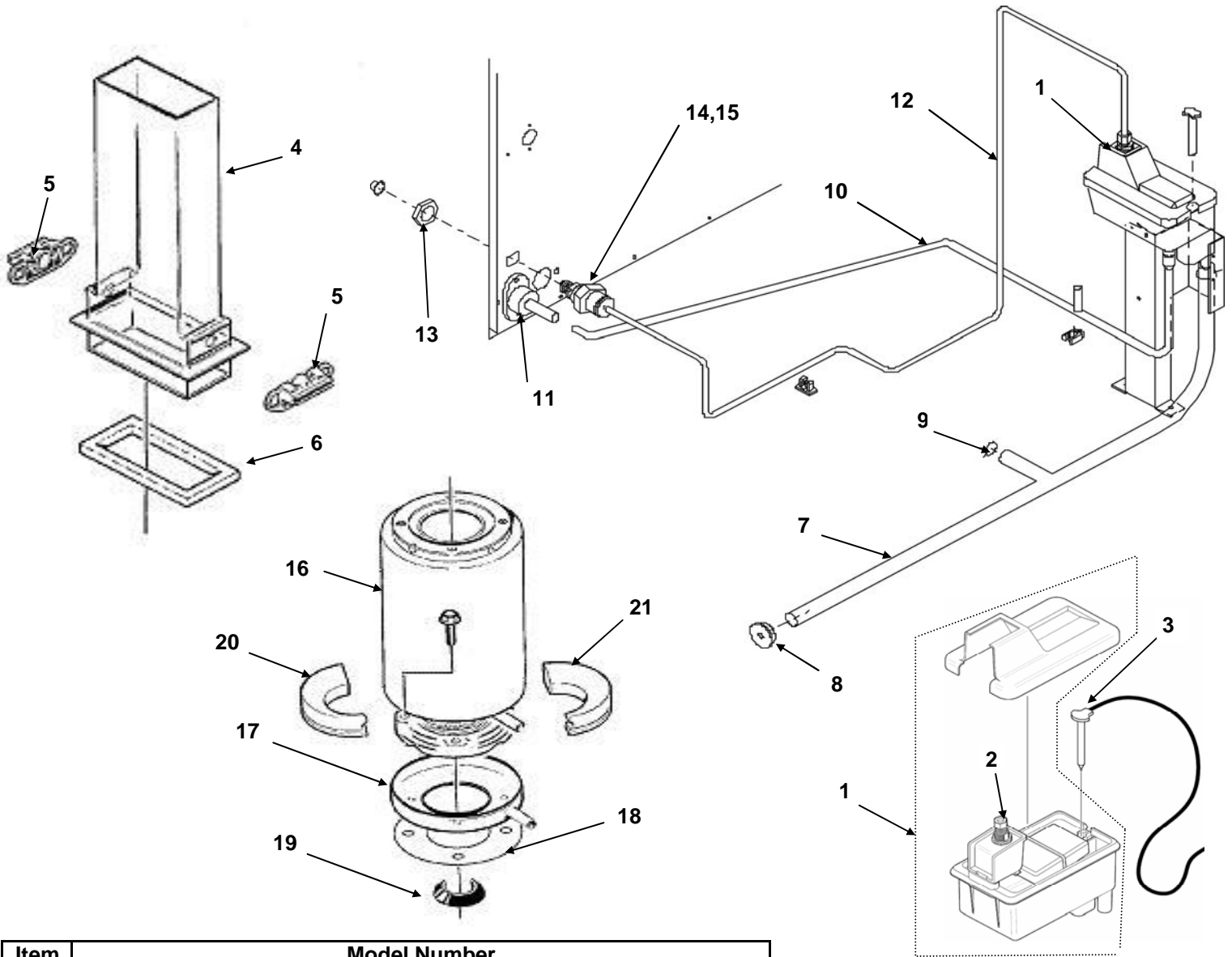


| Item No. | Model Number | | | | | Description |
|----------|--------------|-------------|-------------|-------------|-------------|--------------------------------|
| | MF10500AS | MF10805AS | MF10800AS | MF11255AS | MF11256AS | |
| 1 | 1011339-70 | 1011339-70 | 1011339-70 | 1011339-70 | 1011339-70 | Top Panel Screw |
| 2 | 1011380-192 | 1011380-192 | 1011380-192 | 1011380-192 | 1011380-192 | Top Panel |
| 3 | 1011380-196 | 1011380-196 | 1011380-196 | 1011380-196 | 1011380-196 | Non-Louvered Side Panel |
| 4 | 1011380-193 | 1011380-193 | 1011380-193 | 1011380-193 | 1011380-193 | Right Side Frame Panel |
| 5 | 1011351-34 | 1011351-34 | 1011351-34 | 1011351-34 | 1011351-34 | Screw |
| 6 | 1011380-191 | 1011380-191 | 1011380-191 | 1011380-191 | 1011380-191 | Front Louvered Panel |
| 7 | 1011380-09 | 1011380-09 | 1011380-09 | 1011380-09 | 1011380-09 | Air Filter |
| 8 | 1011380-45 | 1011380-45 | 1011380-45 | 1011380-45 | 1011380-45 | Filter Clip |
| 9 | 1011380-200 | 1011380-200 | 1011380-200 | 1011380-200 | 1011380-200 | Front Brace |
| 10 | 1011380-197 | 1011380-197 | 1011380-197 | 1011380-197 | 1011380-197 | Control Box Support |
| 11 | 1011380-167 | 1011380-167 | 1011380-167 | 1011380-167 | 1011380-167 | Left Side Frame Panel |
| 12 | 1011380-42 | 1011380-42 | 1011380-42 | 1011380-42 | 1011380-42 | Screw |
| 13 | 1011380-213 | 1011380-213 | 1011380-213 | 1011380-213 | 1011380-213 | Rear Panel (Water Cooled Only) |
| 14 | 1011380-211 | 1011380-211 | 1011380-211 | 1011380-211 | 1011380-211 | Base |
| 15 | 1011380-01 | 1011380-01 | 1011380-01 | 1011380-01 | 1011380-01 | Catch (On Frame Panel) |
| 16 | 1011380-88 | 1011380-88 | 1011380-88 | 1011380-88 | 1011380-88 | Strike (On Front Panel) |

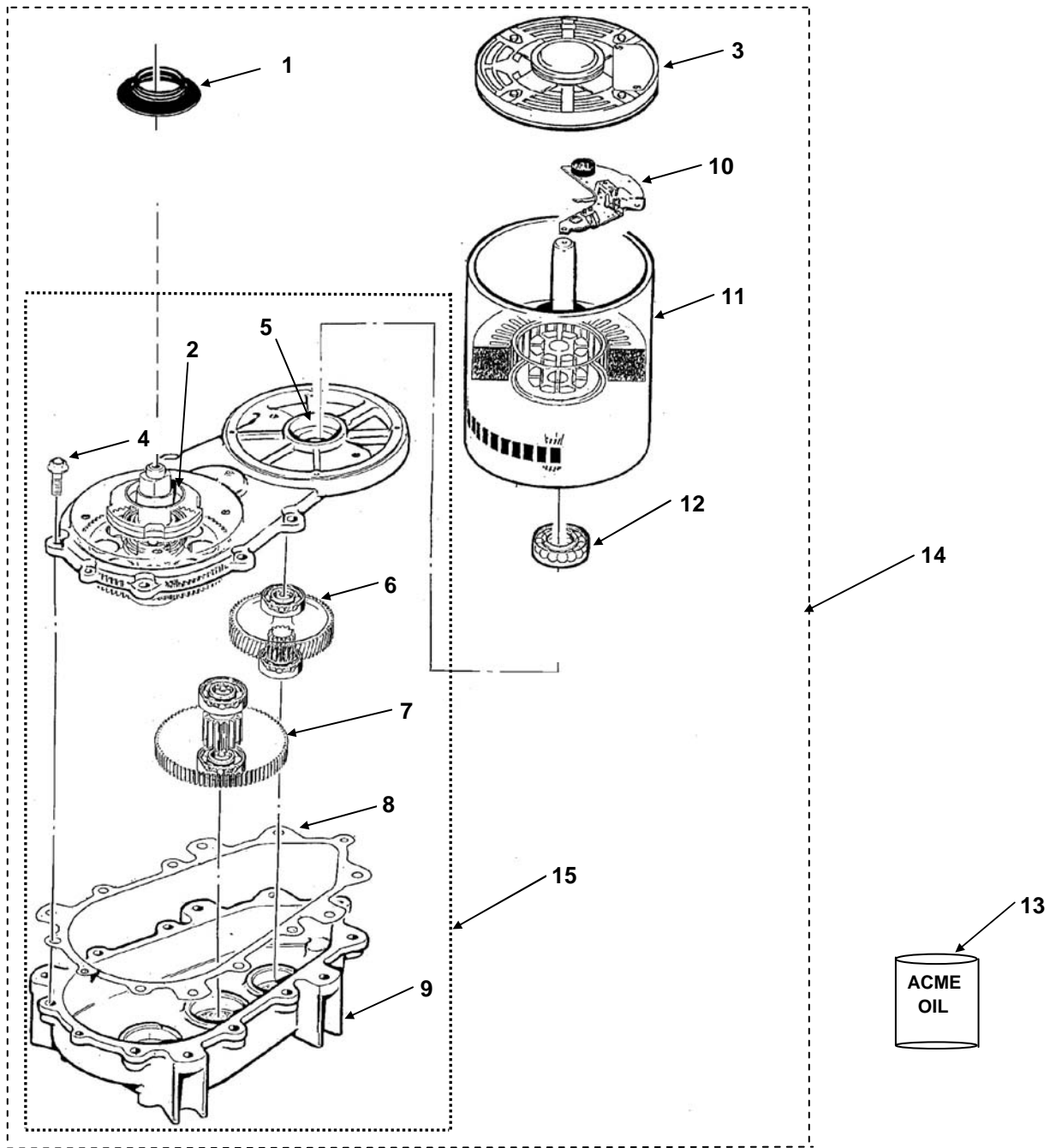


Note: Pictures for reference only.

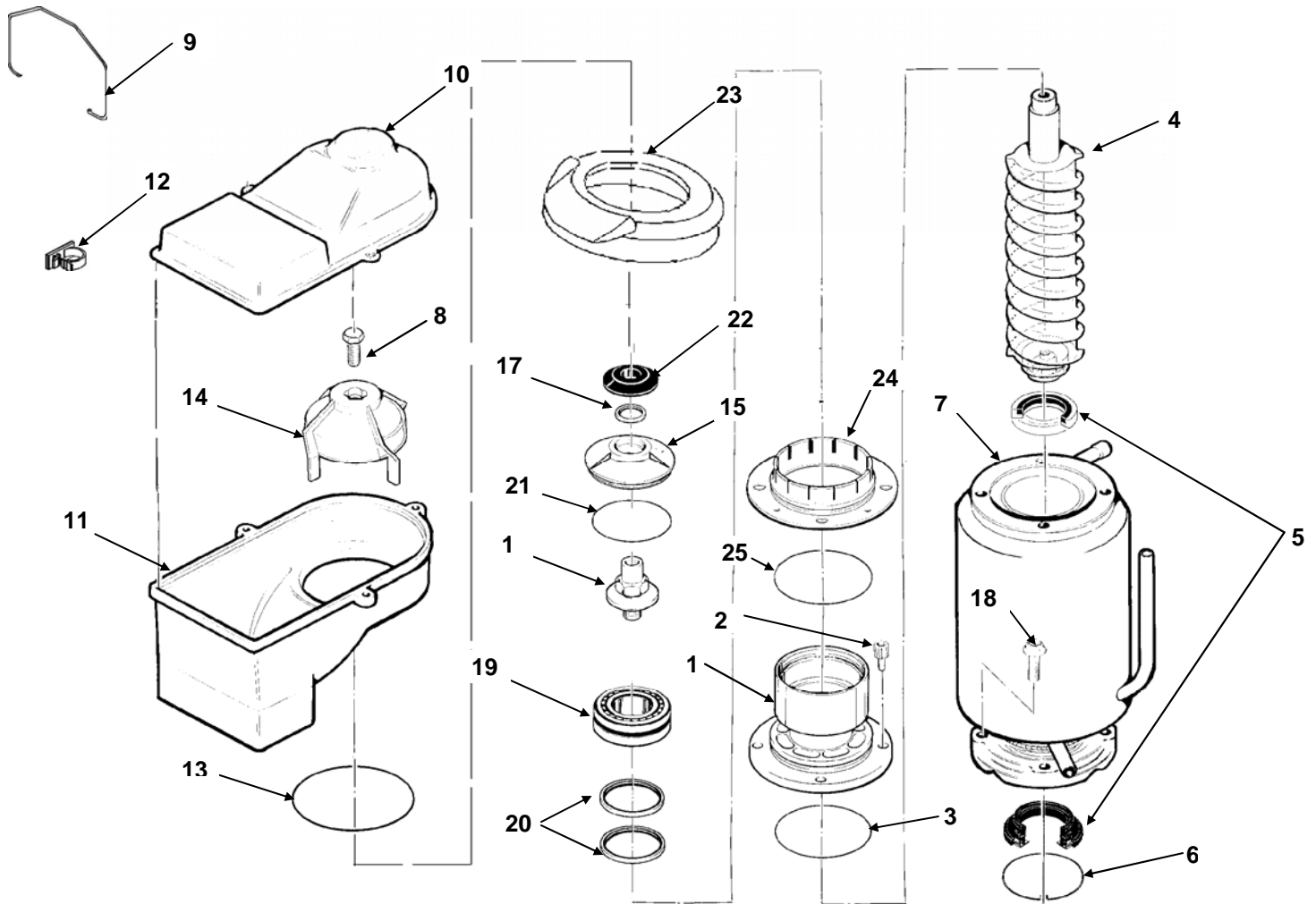
| Item No. | Model Number | | | | | Description |
|----------|--------------|-------------|-------------|-------------|-------------|--------------------------------|
| | MF10500AS | MF10805AS | MF10800AS | MF11255AS | MF11256AS | |
| 1 | 1011380-136 | 1011380-136 | 1011380-136 | 1011380-121 | 1011380-121 | Fan Blade |
| 2 | 1011380-134 | 1011380-135 | 1011380-134 | 1011380-58 | 1011380-58 | Fan Motor |
| 3 | 1011380-228 | 1011380-228 | 1011380-228 | 1011380-04 | 1011380-04 | Fan Bracket |
| 4 | 1011380-210 | 1011380-210 | 1011380-210 | 1011380-190 | 1011380-190 | Fan Shroud |
| 5 | 1011380-206 | 1011380-206 | 1011380-206 | 1011380-206 | 1011380-206 | Fan Shroud Cover |
| 6 | 1011380-133 | 1011380-133 | 1011380-133 | 1011380-126 | 1011380-126 | Air Condenser |
| 7 | 1011382-07 | 1011380-129 | 1011380-128 | 1011380-140 | 1011380-137 | Compressor |
| 8 | 1011382-08 | 1011380-130 | 1011380-125 | 1011380-139 | Internal | Compressor Overload |
| 9 | 1011380-117 | 1011380-117 | 1011380-117 | 1011380-117 | 1011380-117 | Compressor Grommet |
| 10 | 1011380-115 | 1011380-115 | 1011380-115 | 1011380-115 | 1011380-115 | Compressor Grommet Sleeve |
| 11 | 1011380-18 | 1011380-18 | 1011380-18 | 1011380-18 | 1011380-18 | Drier |
| 12 | 1011380-177 | 1011380-177 | 1011380-177 | 1011380-177 | 1011380-177 | Expansion Valve Insulation Kit |
| 13 | 1011382-03 | 1011380-51 | 1011380-51 | 1011380-51 | 1011380-51 | Expansion Valve |
| 14 | 1011380-94 | 1011380-94 | 1011380-94 | 1011380-94 | 1011380-94 | Service Valve Body |
| 15 | 1011380-95 | 1011380-95 | 1011380-95 | 1011380-95 | 1011380-95 | Service Valve Core |
| 16 | 1011380-96 | 1011380-96 | 1011380-96 | 1011380-96 | 1011380-96 | Service Valve Cap |
| 17 | 1011380-52 | 1011380-52 | 1011380-52 | 1011380-52 | 1011380-52 | Hi Pressure Cut Out |
| 18 | 1011380-53 | 1011380-53 | 1011380-53 | 1011380-53 | 1011380-53 | Low Pressure Cut Out |



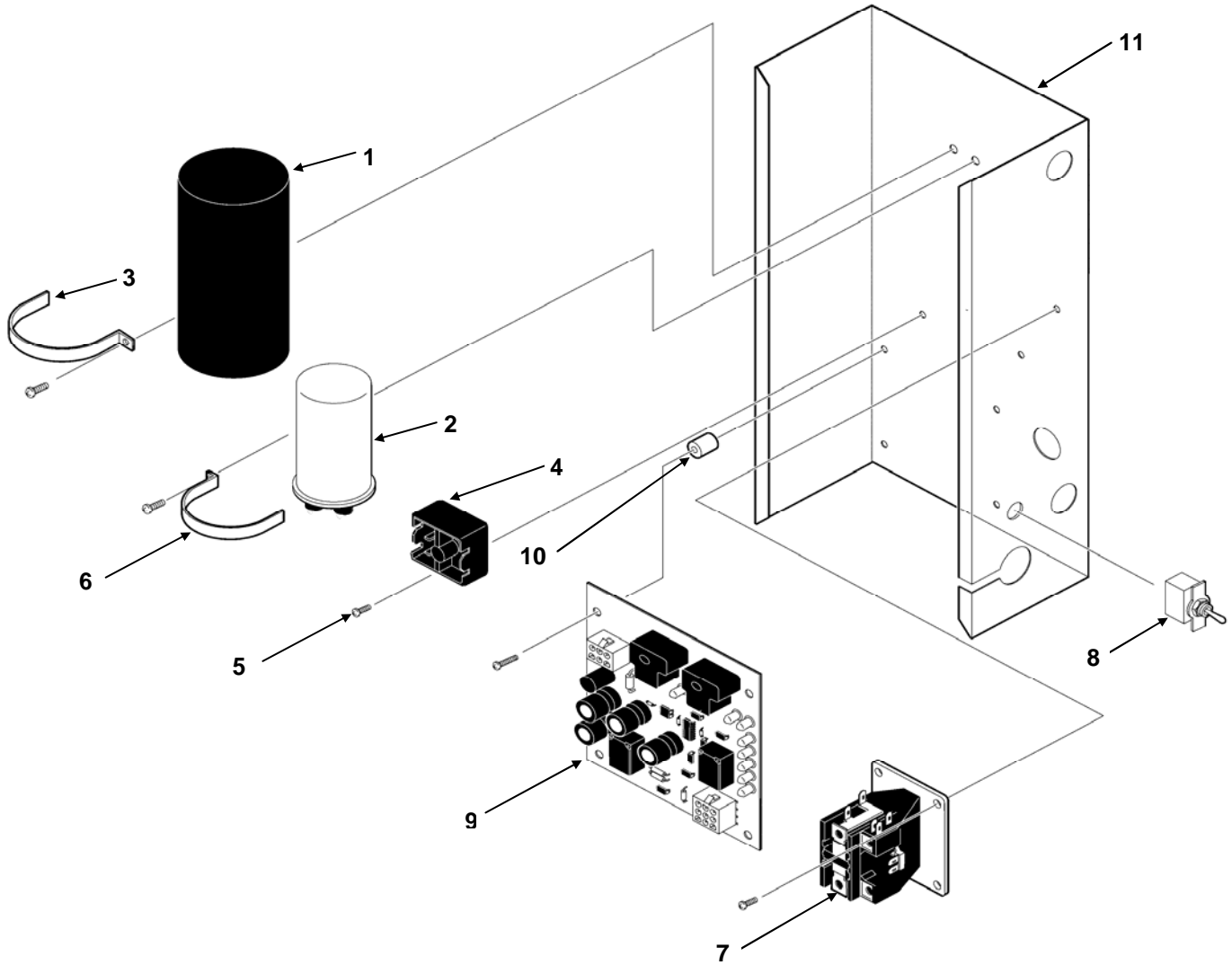
| Item No. | Model Number | | | | | Description |
|----------|--------------|-------------|-------------|-------------|-------------|--|
| | MF10500AS | MF10805AS | MF10800AS | MF11255AS | MF11256AS | |
| 1 | 1011380-15 | 1011380-15 | 1011380-15 | 1011380-15 | 1011380-15 | Float Assembly (Does Not Include Sensor) |
| 2 | 1011380-16 | 1011380-16 | 1011380-16 | 1011380-16 | 1011380-16 | Float Valve Only |
| 3 | 1011380-78 | 1011380-78 | 1011380-78 | 1011380-78 | 1011380-78 | Water Level Sensor |
| 4 | 1011380-06 | 1011380-06 | 1011380-06 | 1011380-07 | 1011380-07 | Ice Chute Lower |
| 5 | 1011380-223 | 1011380-223 | 1011380-223 | 1011380-223 | 1011380-223 | Bin Controls Assembly (Set of 2) |
| 6 | 1011380-176 | 1011380-176 | 1011380-176 | 1011380-176 | 1011380-176 | Chute Gasket |
| 7 | 1011380-220 | 1011380-220 | 1011380-220 | 1011380-220 | 1011380-220 | Evaporator Water Inlet Tube |
| 8 | 1011380-84 | 1011380-84 | 1011380-84 | 1011380-84 | 1011380-84 | Rubber Cap |
| 9 | 1011380-03 | 1011380-03 | 1011380-03 | 1011380-03 | 1011380-03 | Hose Clamp |
| 10 | 1011380-25 | 1011380-25 | 1011380-25 | 1011380-25 | 1011380-25 | Overflow Tube |
| 11 | 1011380-23 | 1011380-23 | 1011380-23 | 1011380-23 | 1011380-23 | Drain Fitting |
| 12 | 1011351-71 | 1011351-71 | 1011351-71 | 1011351-71 | 1011351-71 | Inlet Tubing (4 feet required) |
| 13 | 1011351-31 | 1011351-31 | 1011351-31 | 1011351-31 | 1011351-31 | Pal Nut |
| 14 | 1011351-74 | 1011351-74 | 1011351-74 | 1011351-74 | 1011351-74 | Water Inlet Fitting |
| 15 | 1011351-75 | 1011351-75 | 1011351-75 | 1011351-75 | 1011351-75 | Male Connector |
| 16 | 1011382-09 | 1011382-09 | 1011382-09 | 1011380-172 | 1011380-172 | Evaporator |
| 17 | 1011380-27 | 1011380-27 | 1011380-27 | 1011380-27 | 1011380-27 | Drip Pan |
| 18 | 1011380-83 | 1011380-83 | 1011380-83 | 1011380-83 | 1011380-83 | Drip Pan Gasket |
| 19 | 1011380-85 | 1011380-85 | 1011380-85 | 1011380-85 | 1011380-85 | Water Shed |
| 20 | 1011380-178 | 1011380-178 | 1011380-178 | 1011380-178 | 1011380-178 | Insulation Collar |
| 21 | 1011380-179 | 1011380-179 | 1011380-179 | 1011380-179 | 1011380-179 | Insulation Collar |



| Item No. | Model Number | | | | | Description |
|----------|--------------|-------------|-------------|-------------|-------------|---|
| | MF10500AS | MF10805AS | MF10800AS | MF11255AS | MF11256AS | |
| 1 | 1011380-85 | 1011380-85 | 1011380-85 | 1011380-85 | 1011380-85 | Water Shed |
| 2 | 1011380-164 | 1011380-164 | 1011380-164 | 1011380-164 | 1011380-164 | Gearcase Output Shaft Seal |
| 3 | N/A | N/A | N/A | N/A | N/A | End Bell |
| 4 | 1011380-162 | 1011380-162 | 1011380-162 | 1011380-162 | 1011380-162 | Bolt |
| 5 | 1011380-159 | 1011380-159 | 1011380-159 | 1011380-159 | 1011380-159 | Gearcase Cover (Cvr, Shft, Ky, Gr and Brng) |
| 6 | 1011380-161 | 1011380-161 | 1011380-161 | 1011380-161 | 1011380-161 | 1st Gear and Bearings |
| 7 | 1011380-160 | 1011380-160 | 1011380-160 | 1011380-160 | 1011380-160 | 2nd Gear and Bearings |
| 8 | 1011380-158 | 1011380-158 | 1011380-158 | 1011380-158 | 1011380-158 | Gasket |
| 9 | 1011380-157 | 1011380-157 | 1011380-157 | 1011380-157 | 1011380-157 | Gearcase |
| 10 | 1011380-72 | 1011380-77 | 1011380-72 | 1011380-72 | 1011380-72 | Start Switch-GE |
| 11 | 1011380-67 | 1011380-69 | 1011380-67 | 1011380-68 | 1011380-68 | Drive Motor |
| 12 | 1011380-73 | 1011380-73 | 1011380-73 | 1011380-73 | 1011380-73 | Rotor Bearing-GE |
| 13 | 1011380-163 | 1011380-163 | 1011380-163 | 1011380-163 | 1011380-163 | Oil |
| 14 | 1011380-186 | 1011380-188 | 1011380-186 | 1011380-187 | 1011380-187 | Complete Assembly |
| 15 | 1011380-189 | 1011380-189 | 1011380-189 | 1011380-189 | 1011380-189 | Gear Case Kit, No Motor |



| Item No. | Model Number | | | | | Description |
|----------|--------------|-------------|-------------|-------------|-------------|---|
| | MF10500AS | MF1805AS | MF1800AS | MF11255AS | MF11256AS | |
| 1 | 1011382-01 | 1011382-01 | 1011382-01 | 1011382-01 | 1011382-01 | Breaker |
| 2 | 1011382-02 | 1011382-02 | 1011382-02 | 1011382-02 | 1011382-02 | Socket Head Screw |
| 3 | 1011380-81 | 1011380-81 | 1011380-81 | 1011380-81 | 1011380-81 | O-Ring |
| 4 | 1011380-225 | 1011380-225 | 1011380-225 | 1011380-226 | 1011380-226 | Auger |
| 5 | 1011380-02 | 1011380-02 | 1011380-02 | 1011380-02 | 1011380-02 | Water Seal |
| 6 | 1011380-168 | 1011380-168 | 1011380-168 | 1011380-168 | 1011380-168 | Ring, Water Seal |
| 7 | 1011380-185 | 1011380-185 | 1011380-185 | 1011380-172 | 1011380-172 | Evaporator (Excludes Interior Components) |
| 8 | 1011380-38 | 1011380-38 | 1011380-38 | 1011380-38 | 1011380-38 | Hex Cap Screw |
| 9 | 1011380-203 | 1011380-203 | 1011380-203 | 1011380-203 | 1011380-203 | Bail Clamp |
| 10 | 1011380-08 | 1011380-08 | 1011380-08 | 1011380-08 | 1011380-08 | Ice Chute Cover |
| 11 | 1011380-28 | 1011380-28 | 1011380-28 | 1011380-28 | 1011380-28 | Ice Chute Body with Insulation |
| 12 | 1011380-17 | 1011380-17 | 1011380-17 | 1011380-17 | 1011380-17 | Drain Hose Clip |
| 13 | 1011380-81 | 1011380-81 | 1011380-81 | 1011380-81 | 1011380-81 | O-Ring |
| 14 | 1011380-12 | 1011380-12 | 1011380-12 | 1011380-12 | 1011380-12 | Ice Sweep |
| 15 | 1011380-13 | 1011380-13 | 1011380-13 | 1011380-13 | 1011380-13 | Breaker Cover |
| 16 | 1011380-46 | 1011380-46 | 1011380-46 | 1011380-46 | 1011380-46 | Auger Stud |
| 17 | 1011380-11 | 1011380-11 | 1011380-11 | 1011380-11 | 1011380-11 | Lip Seal |
| 18 | 1011380-37 | 1011380-37 | 1011380-37 | 1011380-37 | 1011380-37 | Cap Screw |
| 19 | 1011380-202 | 1011380-202 | 1011380-202 | 1011380-202 | 1011380-202 | Bearing |
| 20 | 1011380-10 | 1011380-10 | 1011380-10 | 1011380-10 | 1011380-10 | Lip Seal |
| 21 | 1011380-82 | 1011380-82 | 1011380-82 | 1011380-82 | 1011380-82 | O-Ring |
| 22 | 1011380-86 | 1011380-86 | 1011380-86 | 1011380-86 | 1011380-86 | Water Shed |
| 23 | 1011380-87 | 1011380-87 | 1011380-87 | 1011380-87 | 1011380-87 | Insulation Collar |
| 24 | 1011382-01 | 1011382-01 | 1011382-01 | 1011382-01 | 1011382-01 | Slotted collar |
| 25 | 1011382-04 | 1011382-04 | 1011382-04 | 1011382-04 | 1011382-04 | O-Ring |



| Item No. | Model Number | | | | | Description |
|----------|--------------|-------------|-------------|-------------|-------------|-----------------------------|
| | MFI0500AS | MFI0805AS | MFI800AS | MFI1255AS | MFI1256AS | |
| 1 | 1011382-05 | 1011380-104 | 1011380-102 | 1011380-105 | 1011380-106 | Start Capacitor |
| 2 | N/A | 1011380-107 | 1011380-108 | 1011380-110 | 1011380-108 | Run Capacitor |
| 3 | 1011351-83 | 1011351-83 | 1011351-83 | 1011351-83 | 1011351-83 | Start Capacitor Bracket |
| 4 | 1011382-06 | 1011380-114 | 1011380-112 | 1011380-111 | 1011380-111 | Compressor Relay |
| 5 | 1011339-73 | 1011339-73 | 1011339-73 | 1011339-73 | 1011339-73 | Screw |
| 6 | N/A | 1011380-217 | 1011380-217 | 1011380-217 | 1011380-217 | Run Capacitor Bracket |
| 7 | 1011380-75 | 1011380-74 | 1011380-75 | 1011380-74 | 1011380-74 | Compressor Contactor |
| 8 | 1011380-55 | 1011380-55 | 1011380-55 | 1011380-55 | 1011380-55 | Selector Switch |
| 9 | 1011380-79 | 1011380-79 | 1011380-79 | 1011380-79 | 1011380-79 | Circuit Board |
| 10 | 1011380-66 | 1011380-66 | 1011380-66 | 1011380-66 | 1011380-66 | Control Board Standoff |
| 11 | N/A | N/A | N/A | N/A | N/A | Control Box |
| 12 | 1011380-224 | 1011380-224 | 1011380-224 | 1011380-224 | 1011380-224 | Control Box Cover-Not Shown |