

Ice-O-Matic®

MFI0800/0806/0805 - Flake Ice Maker



MFI0800 on B55

Features

- Only 21" (533 mm) wide.
- Produces up to 810 lbs (368 kg) of ice per day.
- *Load Monitoring System* constantly checks workload on gearbox — shutting down system before a problem develops and preventing costly repairs.
- Water sensor eliminates low or no water failures and cannot be affected by adverse water conditions.
- Rugged stainless steel evaporator and auger ensures reliability.
- Industrial-grade roller bearings and heavy duty gearbox provide years of trouble free service.

Options & Accessories

Water Filters			
Ice Machine Model	Manifold		Inline
	System	Replacement	System
MFI0800	IFQ1	IOMQ (1)	IFI4C / IFI8C

Ice Maker Warranty

Every Ice-O-Matic ice maker is backed by a warranty that provides both parts and labor coverage.

Parts & Labor

- Three years **Parts and Labor**.
- Five years **Parts** coverage on the compressor.

Ice Form



Bin Chart

Kits for Combining Wider Bins with Smaller Models

Ice Storage Bins								
Model No.	B25	B40	B42	B55	B100	B120	B150	B170
Capacity	255 lbs (116 kg)	365 lbs (165 kg)	374 lbs (170 kg)	556 lbs (252 kg)	927 lbs (420 kg)	1193 lbs (541 kg)	1499 lbs (679 kg)	1866 lbs (846 kg)
Width	30 in (762 mm)	30 in (762 mm)	22 in (559 mm)	30 in (762 mm)	48 in (1219 mm)	48 in (1219 mm)	60 in (1524 mm)	60 in (1524 mm)
MFI0800	KBT8	KBT8	KBT14	KBT8	KBT7	KBT41*	KBT61*	KBT61*
MFI0800 (2)	N/A	N/A	N/A	N/A	KBT22	KBT22	N/A	N/A

**MFI Flakers are available internationally only.*

**See Ice-O-Matic Price List for Adapter Kits to combine ice makers with most available ice/beverage dispensers.*



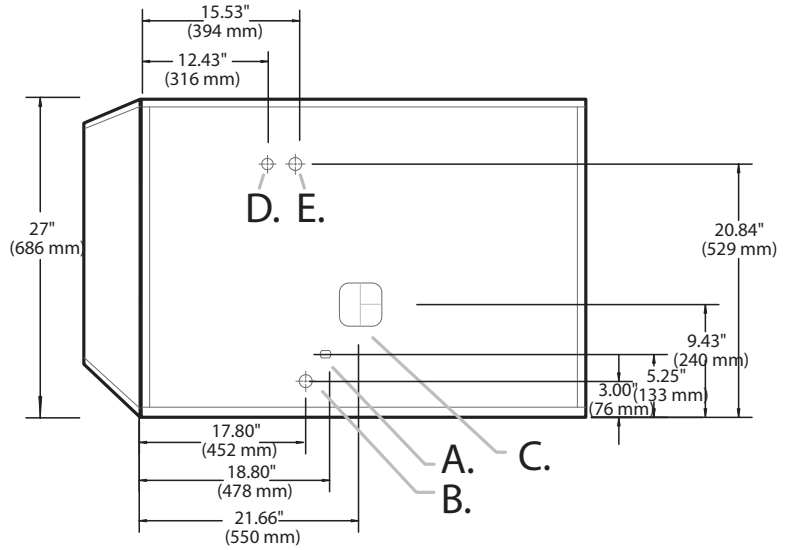
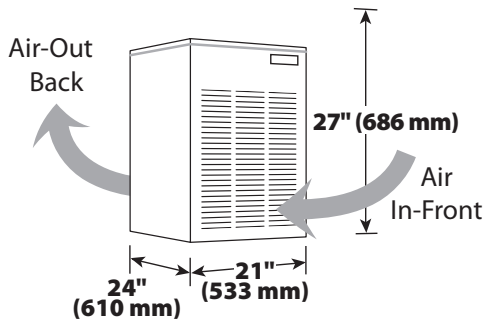
Ice-O-Matic®

MFI0800/0806/0805 Flake Ice Maker

Air Cooled

Please note: air-cooled units require 6" (152 mm) clearance for air intake and exhaust. Please note: air-cooled units require 6" (152 mm) clearance for air intake and exhaust.

- A. Ice maker potable water in, 3/8" Male Flare.
- B. Drain, 3/4" FPT.
- C. Hole for electrical connection.
- D. Condenser drain (water cooled only) 1/2" FPT.
- E. Condenser inlet (water cooled only) 3/8" FPT



Air/Water Cooled

Operating Requirements

	Minimum	Maximum
	60 Hz	
Ambient Temp. Range Air	50°F (10°C)	100°F (38°C)
Water Temp.	40°F (4.4°C)	80°F (26.7°C)
Water Pressure	20 PSIG (1.4 BAR)	60 PSIG (4.1 BAR)

Dimensions

All Models	
W x D x H (inches)	21 x 24 x 27
W x D x H (mm)	533 x 610 x 686

Specifications

Model Number	Cond. Unit	Ice Production per 24hrs		Water Usage gallons per 100 lbs of Ice 90°F air/70°F water		kWH Used per 100 lbs of ice @ 90°F air/70°F water	Voltage Characteristics	Min. Circuit Ampacity	Fuse Size	Approx. BTUs per hour
		70°F air/50°F water lbs (kg)	90°F air/70°F water lbs (kg)	Potable	Condenser					
MFI0800AS	Air	760 (342)	595 (270)	12.0	-	4.9	115/60/1	19.5	30	7,400
MFI0805AS	Air	760 (342)	595 (270)	12.0	-	4.1	230/50/1	10.1	15	7,400
MFI0806AS	Air	760 (342)	520 (236)	12.0	-	4.9	208-230/60/1	10.2	15	5,600
MFI0806WS	Water	810 (368)	585 (265)	12.0	82.3	3.8	208-230/60/1	10.2	15	4,400

NOTES:

Number of Wires: 3 (including ground)
 Approx. Shipping Weight lbs (kg): MFI0800AS 205 (93) • MFI0805AS 205 (93) • MFI0806 205 (93)
 Refrigerant Type: R404A