



SERVICE MANUAL

SURVIVAL CRAFT 2-WAY RADIO

IC-GM1600
IC-GM1600E

S-14122IZ-C1-①

Jun. 2005

Icom Inc.

INTRODUCTION

This service manual describes the latest service information for the **IC-GM1600/E** VHF MARINE TRANSCEIVER at the time of publication.

MODEL	VERSION	TX HI-POWER
IC-GM1600	USA	2 W
	GEN	2 W
IC-GM1600E	EUR	2 W
	UK	2 W

To upgrade quality, all electrical or mechanical parts and internal circuits are subject to change without notice or obligation.

DANGER

NEVER connect the transceiver to an AC outlet or to a DC power supply that uses more than 7.5 V. Such a connection could cause a fire or electric hazard.

DO NOT reverse the polarities of the power supply when connecting the transceiver.

DO NOT apply an RF signal of more than 20 dBm (100 mW) to the antenna connector. This could damage the transceiver's front end.

ORDERING PARTS

Be sure to include the following four points when ordering replacement parts:

1. 10-digit order numbers
2. Component part number and name
3. Equipment model name and unit name
4. Quantity required

<SAMPLE ORDER>

5030002790 LCD A0286 IC-GM1600 Main unit 5 pieces
8810009510 Screw BO 2x4 NlxZU (BT) IC-GM1600E Chassis 10 pieces

Addresses are provided on the inside back cover for your convenience.

REPAIR NOTES

1. Make sure a problem is internal before disassembling the transceiver.
2. **DO NOT** open the transceiver until the transceiver is disconnected from its power source.
3. **DO NOT** force any of the variable components. Turn them slowly and smoothly.
4. **DO NOT** short any circuits or electronic parts. An insulated turning tool **MUST** be used for all adjustments.
5. **DO NOT** keep power ON for a long time when the transceiver is defective.
6. **DO NOT** transmit power into a signal generator or a sweep generator.
7. **ALWAYS** connect a 30 dB to 40 dB attenuator between the transceiver and a deviation meter or spectrum analyzer when using such test equipment.
8. **READ** the instructions of test equipment thoroughly before connecting equipment to the transceiver.


Icom, Icom Inc. and  ICOM logo are registered trademarks of Icom Incorporated (Japan) in the United States, the United Kingdom, Germany, France, Spain, Russia and/or other countries.



TABLE OF CONTENTS

SECTION 1 SPECIFICATIONS

SECTION 2 INSIDE VIEWS

SECTION 3 DISASSEMBLY INSTRUCTIONS

SECTION 4 CIRCUIT DESCRIPITON

4-1	RECEIVER CIRCUITS.	4-1
4-2	TRANSMITER CIRCUITS.	4-2
4-3	PLL CIRCUITS.	4-3
4-4	POWER SUPPLY CIRCUITS.	4-4
4-5	PORT ALLOCATIONS.	4-4

SECTION 5 ADJUSTMENT PROCEDURES

5-1	PREPARATION.	5-1
5-2	SOFTWARE ADJUSTMENTS.	5-4

SECTION 6 PARTS LIST

SECTION 7 MECHANICAL PARTS AND DISASSEMBLY

SECTION 8 SEMICONDUCTOR INFORMATION

SECTION 9 BOARD LAYOUTS

9-1	MAIN UNIT.	9-1
9-2	VR BOARD.	9-3
9-3	MIC BOARD.	9-3
9-4	BC-158.	9-3

SECTION 10 BLOCK DIAGRAM

SECTION 11 VOLTAGE DIAGRAM

11-1	MAIN UNIT.	11-1
11-2	VR / MIC BOARD.	11-3

SECTION 1 SPECIFICATIONS

			IC-GM1600	IC-GM1600/E	
			[USA]	[GEN], [EUR], [UK]	
GENERAL	• Frequency coverage	TX	156.025–157.425 MHz [ON-BOARD]	156.000–161.450 MHz [ON-BOARD]	
		RX	156.050–163.275 MHz [ON-BOARD]	156.000–163.425 MHz [ON-BOARD]	
		TX/RX	156.300–156.875 MHz [SURVIVAL]		
	• Number of programable channels		100 channels		
	• Type of emission		16K0G3E	16K0G3E (for ATIS)	
	• Antenna impedance		50 Ω (nominal)		
	• Operating temperature range		–4°F to +140°F	–20°C to +55°C	
	• Power supply requirement		7.5 V DC nominal (negative ground)	7.2 V DC nominal (negative ground)	
	• Current drain (approx.)	TX	RX	0.2 A (at max. audio)	
			2 W	1.0 A	
1 W		0.7 A			
• Dimensions (projections not included)		65(W) \times 145(H) \times 44(D) mm; 2 ⁹ / ₁₆ (W) \times 5 ²³ / ₃₂ (H) \times 1 ³ / ₄ (D) in.			
• Weight (approx.)		385 g; 13.58 oz. (Including BP-234)			
TRANSMITTER	• Output power	High	2 W		
		Low	1 W		
	• Modulation		Variable reactance frequency modulation		
	• Max. frequency deviation		\pm 5.0 kHz		
	• Frequency error		\pm 5.0 ppm	\pm 1.5 kHz	
	• Spurious emissions		–70 dBc typ.	0.25 μ W (30 MHz to 1 GHz) 1.00 μ W (1 GHz–2 GHz)	
	• Adjacent channel power		70 dB		
	• Audio harmonic distortion		10% (at 60% deviation)		
	• FM hum and noise		40 dB	–	
	• Residual modulation		–	40 dB	
	• Audio frequency response		+1 dB to –3 dB of 6 dB oct. from 300 Hz to 3000 Hz		
	• Limiting charact. of modulation		60–100% of max. deviation		
	• Microphone impedance		2 k Ω		
RECEIVER	• Receive system		Double conversion superheterodyne system		
	• Intermediate frequencies		1st : 31.05 MHz, 2nd : 450 kHz		
	• Sensitivity		0.25 μ V typ. at 12 dB SINAD	–2 dB μ emf typ. at 20 dB SINAD	
	• Squelch sensitivity		–6dB μ typ. (at threshold)	–2 dB μ emf typ. (at threshold)	
	• Adjacent channel selectivity		70 dB typ.	70 dB	
	• Spurious response		70 dB typ.	70 dB	
	• Intermodulation rejection ratio		70 dB typ.	68 dB	
	• Hum and Noise		40 dB		
	• Audio frequency response		+1 dB to –3 dB of 6 dB oct. (from 300 Hz to 3000 Hz)	+1 dB to –3 dB of –6 dB oct. (from 300 Hz to 3000 Hz)	
	• Audio output power (at 10% distortion with an 8 Ω load)		0.35 W typ.	0.2 W typ.	
• Output impedance (audio)		8 Ω			

Specifications are measured in accordance with TIA/EIA–603 and FCC PARTS 80.271 (IC-GM1600), and IEC61097–12 (IC-GM1600E). All stated specifications are subject to change without notice or obligation.

• CHANNEL LISTS

• International channels

CH	Frequency (MHz)		CH	Frequency (MHz)		CH	Frequency (MHz)		CH	Frequency (MHz)		CH	Frequency (MHz)		CH	Frequency (MHz)	
	Transmit	Receive		Transmit	Receive		Transmit	Receive		Transmit	Receive		Transmit	Receive		Transmit	Receive
01	156.050	160.650	11	156.550	156.550	21	157.050	161.650	61	156.075	160.675	71	156.575	156.575	81	157.075	161.675
02	156.100	160.700	12	156.600	156.600	22	157.100	161.700	62	156.125	160.725	72	156.625	156.625	82	157.125	161.725
03	156.150	160.750	13	156.650	156.650	23	157.150	161.750	63	156.175	160.775	73	156.675	156.675	83	157.175	161.775
04	156.200	160.800	14	156.700	156.700	24	157.200	161.800	64	156.225	160.825	74	156.725	156.725	84	157.225	161.825
05	156.250	160.850	15 ^{*1}	156.750	156.750	25	157.250	161.850	65	156.275	160.875	75 ^{*3}	156.775	156.775	85	157.275	161.875
06	156.300	156.300	16	156.800	156.800	26	157.300	161.900	66	156.325	160.925	76 ^{*3}	156.825	156.825	86	157.325	161.925
07	156.350	160.950	17 ^{*1}	156.850	156.850	27	157.350	161.950	67	156.375	156.375	77	156.875	156.875	87	157.375	157.375
08	156.400	156.400	18	156.900	161.500	28	157.400	162.000	68	156.425	156.425	78	156.925	161.525	88	157.425	157.425
09	156.450	156.450	19	156.950	161.550	37A ^{*2}	157.850	157.850	69	156.475	156.475	79	156.975	161.575	P4 ^{*2}	161.425	161.425
10	156.500	156.500	20	157.000	161.600	60	156.025	160.625	70 [†]	156.525	156.525	80	157.025	161.625			

[†]Receive only

^{*1} Channels 15 and 17 may also be used for on-board communications provided the effective radiated power does not exceed 1 W, and subject to the national regulations of the administration concerned when these channels are used in its territorial waters.

^{*2} UK Marina Channels: M1=37A (157.850 MHz), M2=P4 (161.425 MHz) for U.K. version only

^{*3} The use of these channels should be restricted to navigation-related communications only and all precautions should be taken to avoid harmful interference to channel 16, e.g. by limiting the output power to 1 W or by means geographical separation.

• USA channels (for U.K. version only)

CH	Frequency (MHz)		CH	Frequency (MHz)		CH	Frequency (MHz)		CH	Frequency (MHz)		CH	Frequency (MHz)		CH	Frequency (MHz)	
	Transmit	Receive		Transmit	Receive		Transmit	Receive		Transmit	Receive		Transmit	Receive		Transmit	Receive
01A	156.050	156.050	12	156.600	156.600	22A	157.100	157.100	64A	156.225	156.225	77	156.875	156.875	86	157.325	161.925
--	---	---	13 [†]	156.650	156.650	23A	157.150	157.150	65A	156.275	156.275	78A	156.925	156.925	86A	157.325	157.325
03A	156.150	156.150	14	156.700	156.700	24	157.200	161.800	66A	156.325	156.325	79A	156.975	156.975	87	157.375	161.975
--	---	---	15 [†]	156.750	156.750	25	157.250	161.850	67 [†]	156.375	156.375	80A	157.025	157.025	87A	157.375	157.375
05A	156.250	156.250	16	156.800	156.800	26	157.300	161.900	68	156.425	156.425	81A	157.075	157.075	88	157.425	162.025
06	156.300	156.300	17 [†]	156.850	156.850	27	157.350	161.950	69	156.475	156.475	82A	157.125	157.125	88A	157.425	157.425
07A	156.350	156.350	18A	156.900	156.900	28	157.400	162.000	70 [‡]	156.525	156.525	83A	157.175	157.175	P4 [*]	161.425	161.425
08	156.400	156.400	19A	156.950	156.950	37A [*]	157.850	157.850	71	156.575	156.575	84	157.225	161.825			
09	156.450	156.450	20	157.000	161.600	61A	156.075	156.075	72	156.625	156.625	84A	157.225	157.225			
10	156.500	156.500	20A	157.000	157.000	--	---	---	73	156.675	156.675	85	157.275	161.875			
11	156.550	156.550	21A	157.050	157.050	63A	156.175	156.175	74	156.725	156.725	85A	157.275	157.275			

[†]Low power only

[‡]Receive only

^{*}UK Marina Channels: M1=37A (157.850 MHz), M2=P4 (161.425 MHz) for U.K. version only

• Survival operation channels

Channel number	TX/RX	Channel number	TX/RX	Channel number	TX/RX
06	156.300 MHz	08	156.400 MHz	09	156.450 MHz
10	156.500 MHz	11	156.550 MHz	12	156.600 MHz
13	156.650 MHz	14	156.700 MHz	15 [*]	156.750 MHz
16	156.800 MHz	17 [*]	156.850 MHz	67	156.375 MHz
68	156.425 MHz	69	156.475 MHz	71	156.575 MHz
72	156.625 MHz	73	156.675 MHz	74	156.725 MHz
77	156.875 MHz				

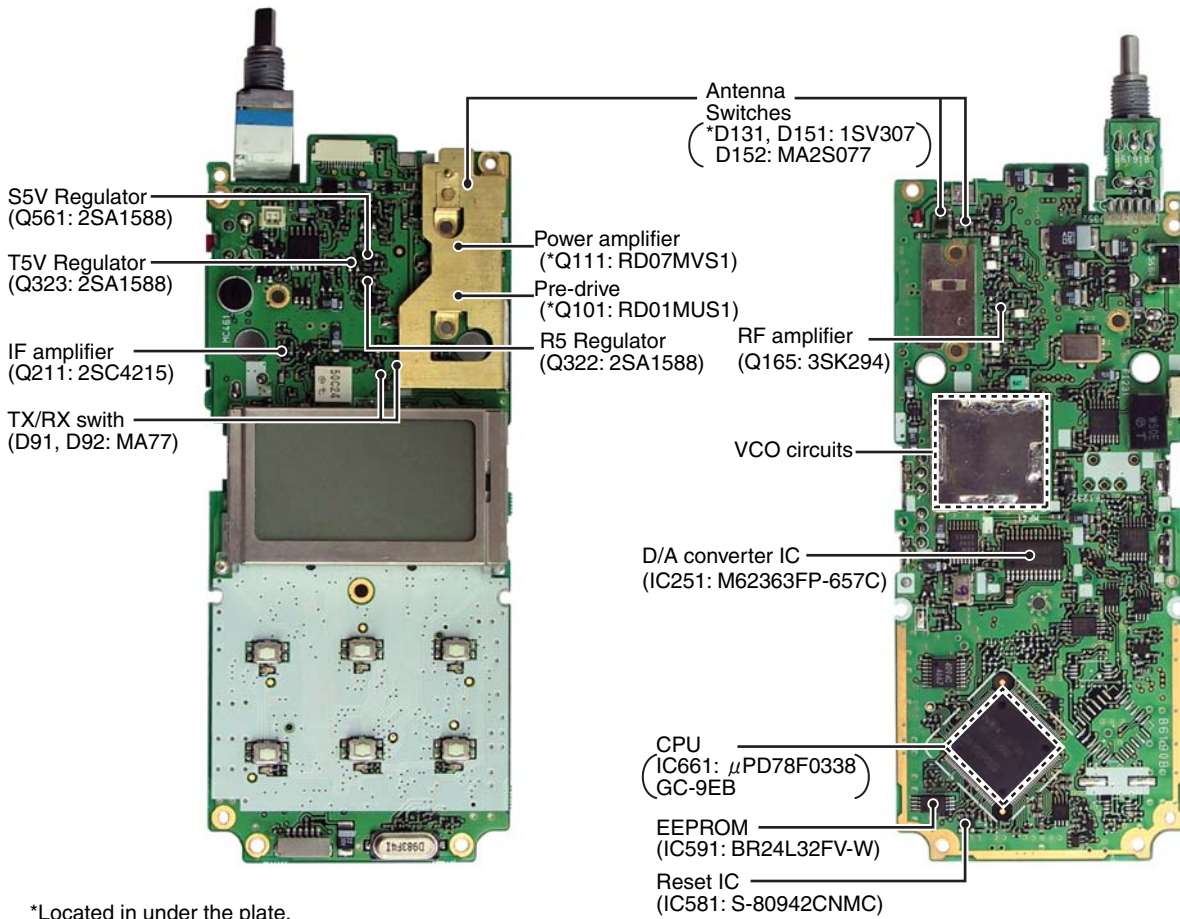
^{*}U.S.A. version is low power only

SECTION 2 INSIDE VIEWS

● MAIN UNIT

TOP VIEW

BOTTOM VIEW



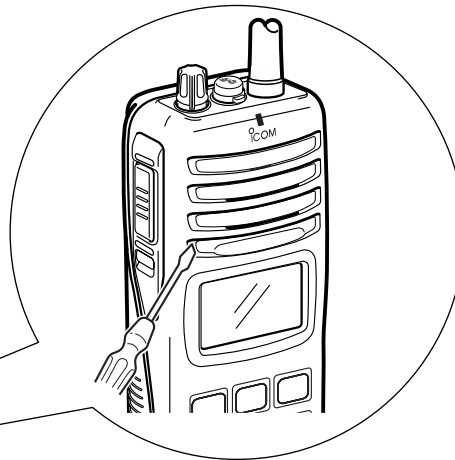
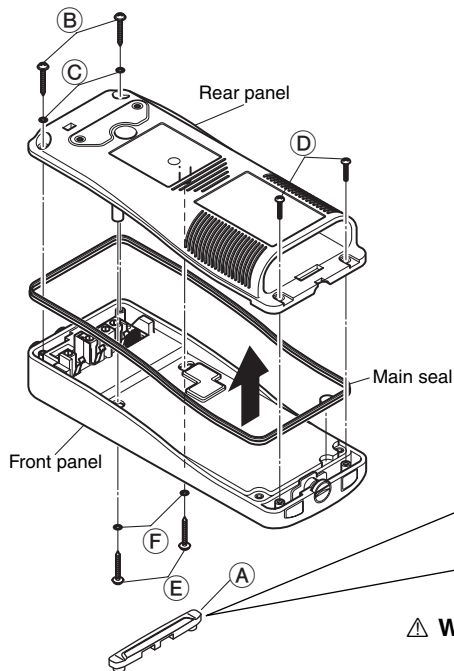
*Located in under the plate.

SECTION 3 DISASSEMBLY INSTRUCTIONS

● REMOVING THE REAR PANEL

- ① Remove the speaker panel (A).
- ② Unscrew 2 screws (B), and remove 2 washers (C).
- ③ Unscrew 2 screws (D).
- ④ Unscrew 2 screws (E), and remove 2 washers (F).
- ⑤ Remove the rear panel and the main seal from the front panel.

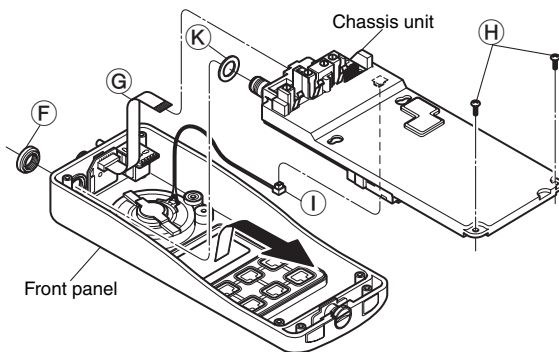
Note: When replacing the screws, 10–12 kg of torque MUST be applied to ensure water resistance.



⚠ WARNING! NEVER attempt to remove the speaker panel using your finger nails, this may result in injury. Use a flat head screw driver or a similar flat instrument.

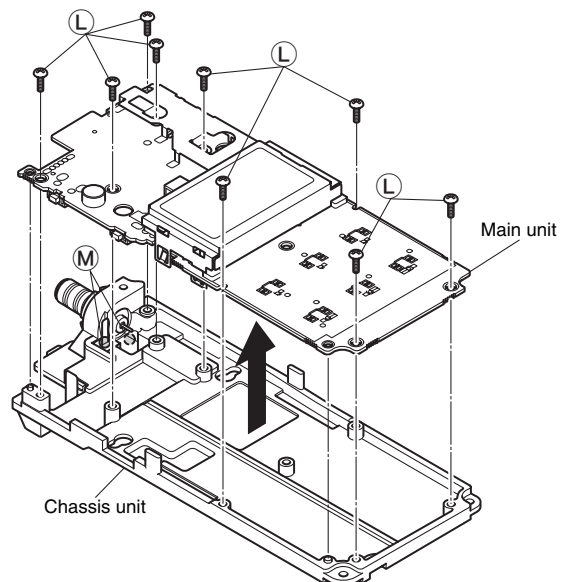
● REMOVING THE CHASSIS UNIT

- ① Unscrew 1 nut (G).
- ② Unscrew 2 screws (H).
- ③ Take off the chassis unit in the direction of the arrow.
- ④ Unplug the connector (I) and the cable (J) from the chassis unit.
- ⑤ Remove 1 washer (K).



● REMOVING THE MAIN UNIT

- ① Unscrew 9 screws (L).
- ② Unsolder 2 points (M), and take off the main unit in the direction of the arrow.



SECTION 4 CIRCUIT DESCRIPTION

4-1 RECEIVER CIRCUITS

4-1-1 ANTENNA SWITCHING CIRCUIT

The antenna switching circuit toggles receive line and transmit line. This circuit does not allow transmit signals to enter the receiver circuits.

Received signals from the antenna are passed through the low-pass filter (LPF: L131, L132, C131–C136) and applied to the antenna switching circuit (D151, D152).

While receiving, no voltage is applied to D151 and D152. Thus, the receive line and the ground are disconnected and L151, L152, C151, C152 and C153 function as an LPF which leads received signals to the RF circuits.

4-1-2 RF CIRCUITS

The RF circuits amplify signals within the range of frequency coverage and filters off out-of-band signals.

The signals from the antenna switching circuit are passed through the two-stage tunable bandpass filter (BPF: D154, D155, L154–L156, C156, C157, C159–C161, C163, C164, C168), then applied to the RF amplifier (Q165).

The amplified signals are passed through another two-stage BPF (D181, D182, L166, L181 C181, C182, C184–C186, C188) to suppress unwanted signals. The filtered signals are then applied to the 1st mixer circuit.

4-1-3 1st MIXER AND 1st IF AMPLIFIER CIRCUITS

The 1st mixer circuit converts received signals into the 1st intermediate frequency (IF) signal by mixing with local oscillator (LO) signal. The converted 1st IF signal is filtered at the 1st IF filter, then amplified at the 1st IF amplifier.

The signals from the two-stage BPF are converted into the 31.05 MHz 1st IF signal at the 1st mixer (Q191) by being mixed with the 1st LO signals generated at RX VCO (Q41, D31–D34).

The 1st IF signal from the 1st mixer is passed through the crystal filter (FI211) to suppress unwanted signals, and amplified at the 1st IF amplifier (Q211).

The amplified 1st IF signal is applied to the FM IF IC (IC231).

4-1-4 2nd IF AND DEMODULATOR CIRCUITS

The 1st IF signal is converted into the 2nd IF signal and de-modulated by the FM IF IC. The FM IF IC contains 2nd mixer, limiter amplifier, quadrature detector, etc. in its package.

The 1st IF signal from the 1st IF amplifier is applied to pin 16 of IC231, and mixed with the 30.6 MHz 2nd LO signal coming from the doubler (Q221), to convert into the 450 kHz 2nd IF signal and output from pin 3. The 2nd IF signal is filtered by the ceramic filters (FI231, FI232) to suppress the heterodyne noise, then applied to IC231 (pin 5) again and amplified at the limiter amplifier section and demodulated by the quadrature detector.

The quadrature detector is a detection method which uses a ceramic discriminator (X231). The demodulated AF signals are output from pin 9.

4-1-5 AF CIRCUITS

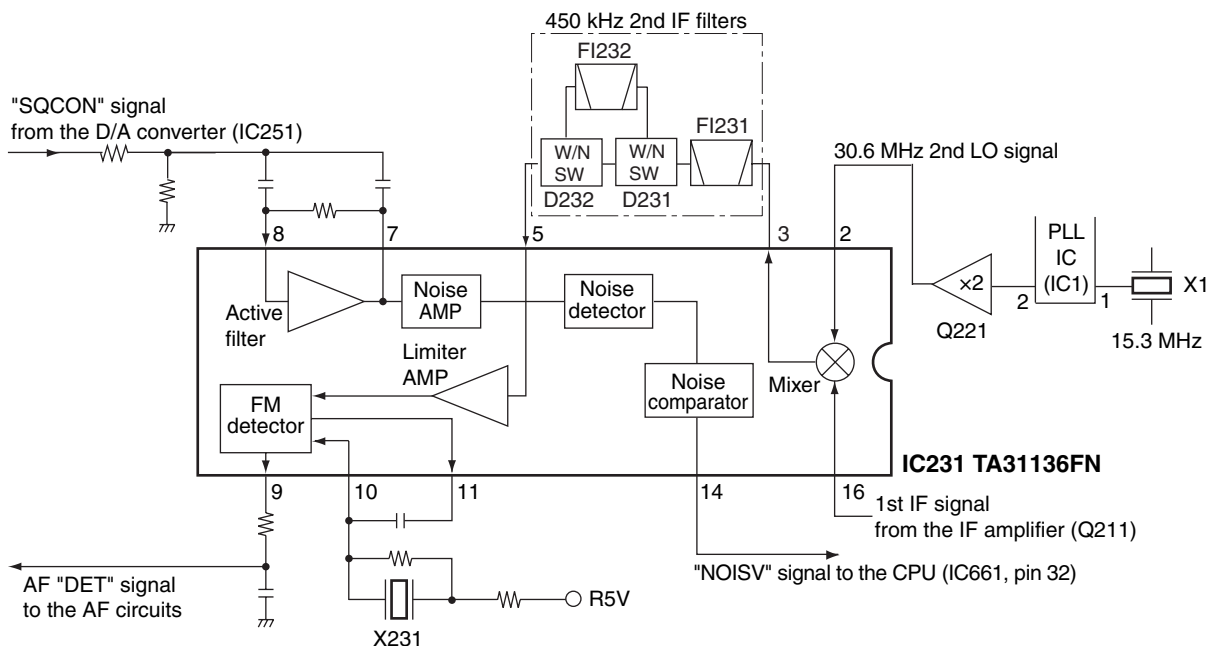
Demodulated signals are filtered and amplified at the AF circuits.

AF signals from IC231 (pin 9) are passed through the AF mute switch (IC281 A; pins 1, 2), analog switch (IC282; pins 1, 7), LPF (IC261 C; pins 8–10) and R801 (VR BOARD) to control the AF output level.

The level controlled AF signals are passed through the AF mute switch (Q411) and the de-emphasis circuit (R411, C413) to obtain the frequency characteristic of -6 dB/oct.

The de-emphasized signals are applied to the AF power amplifier (IC421, pin 4). The AF power amplifier provides more than 0.3 W of audio power.

• 2nd IF AND DEMODULATOR CIRCUITS



4-1-6 SQUELCH CIRCUIT

Squelch circuit mutes AF output signal when no signals are received.

A portion of the AF signals from the FM IF IC (IC231, pin 9) are applied to the IC251 to control the level, and the active filter (R239–R241, C237, C238). The filtered signals are applied to the noise amplifier section in the FM IF IC (IC231, pin 8) to amplify the noise components only.

The amplified noise components are detected at the noise detector section, and output from pin 14 as the "NOISV" signal to the CPU (IC661, pin 32). Then the CPU outputs "AFMS" signal from pin 84 according to the "NOISV" signal level to control the AF mute switch (Q411).

4-2 TRANSMITTER CIRCUITS

4-2-1 MIC AMPLIFIER, SPLATTER FILTER CIRCUITS

The MIC amplifier circuit amplifies audio signals from the microphone within +6 dB/oct pre-emphasis characteristics and amplifies to the level needed for modulation.

The AF signals from the microphone are passed through the microphone switch (Q461) and the microphone mute switches (IC682 A, pins 1, 2; IC682 B, pins 5, 6). The AF signals are then passed through the pre-emphasis circuit (R463, C463) to obtain frequency characteristics of +6 dB/oct.

The pre-emphasized AF signals are amplified at the microphone amplifier (IC261 B), and adjusted its level at the microphone gain control circuit (Q653, Q654, R474, R705, R707, R708). The level adjusted signals are applied to the limiter amplifier (IC491 A; pins 1, 2) to limit its level via the AF mute switch (IC481 A; pins 1, 2).

The AF signals are then passed through the splatter filter (IC491 B; pins 6, 7) to suppress unwanted 3 kHz and higher audio signals, then applied to the modulation circuit via the D/A converter (IC251; pins 3, 4).

4-2-2 MODULATOR CIRCUIT

The modulation circuit modulates the VCO oscillating signal with the audio signals from the microphone.

AF signals from the D/A converter (IC251, pin 3) are applied to the modulation circuit (D39) to modulate the oscillated signal by changing the reactance of D39 at the TX VCO (Q51, D35–38).

4-2-3 TRANSMIT AMPLIFIERS

Transmit amplifiers amplify the TX VCO output to transmit power level.

The TX VCO output signal is buffer-amplified by the buffer amplifiers (Q61, Q62) and passes through the TX/RX switch (D91). The signals from the TX/RX switch are applied to the another buffer amplifier (Q91), pre-drive (Q101) and power amplifier (Q111) and amplified to the transmit level.

The power amplifier output is applied to the antenna connector (J41: CHASSIS UNIT) via the antenna switching circuit and the LPFs.

4-2-4 APC CIRCUIT

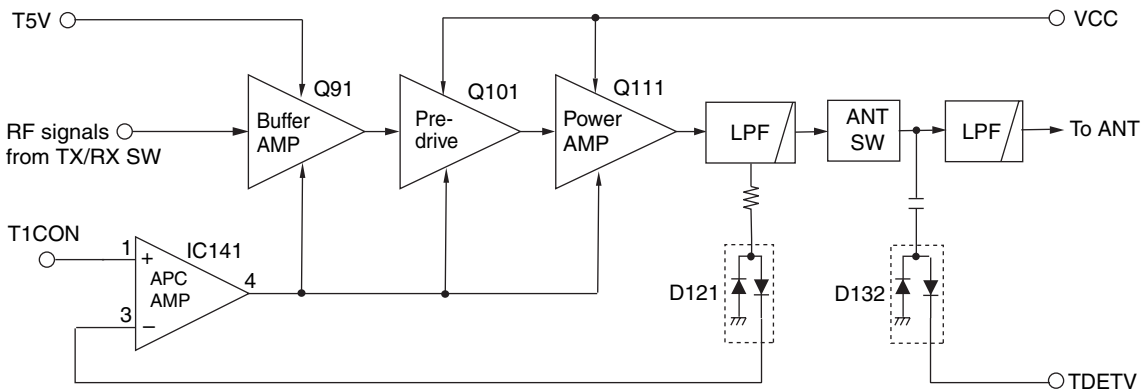
The APC (Automatic Power Control) circuit stabilizes transmit output power and controls transmit output power High, Middle and Low.

The RF output signal from the power amplifier (Q111) is detected at the power detector (D121). The detector converts the RF signals into DC voltage, and the detected voltage is applied to the APC amplifier (IC141, pin 3).

The transmit output power setting voltage is applied to another input terminal of the APC amplifier (IC141, pin 1) as the reference voltage. The APC amplifier controls the bias of the buffer, pre-drive and power amplifiers by comparing the detected voltage and reference voltage. Thus the APC circuit maintains a constant output power.

Another power detector (D132) detects the RF output level and outputs "TDETV" signal to the CPU (IC661, pin 31). The CPU outputs "TLED" signal to the LED driver (Q655) to light TX LED (DS655).

• APC CIRCUIT



4-3 PLL CIRCUITS

4-3-1 GENERAL

PLL circuits control TX and RX VCO circuits. IC1 is a PLL IC and contains prescaler, programmable counter, programmable divider, phase detector, charge pump in its package.

The VCOs directly generate the transmit frequency and the 1st LO frequency for receiving. The PLL sets the divided ratio based on the serial data from the CPU (IC661), and compares the phase of the VCO output with the reference oscillator's frequency (15.3 MHz) oscillated by X1.

If the oscillated signal drifts, the phase of its frequency changes from the phase of the reference frequency, causing a lock voltage change to compensate for the drift in the oscillated frequency.

The phase detector compares the input signal with a reference frequency, and then outputs the control signal (pulse-type) from pin 5. The pulse-type signal is converted into DC voltage at the loop filter (R17–R19, C16, C17), and then applied to the RX VCO (Q41, D31–D34) as the lock voltage.

4-3-2 TRANSMIT LOOP

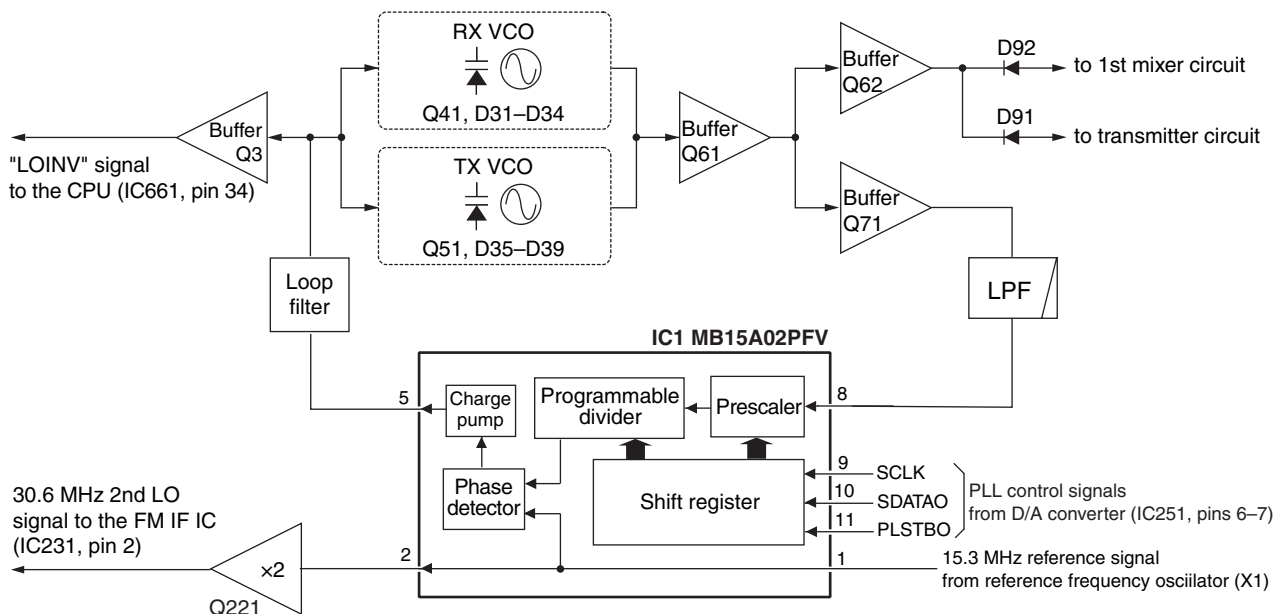
A portion of the generated signal at the TX VCO (Q51, D35–D39) is applied to the PLL IC (IC1, pin 8) via buffer-amplifier (Q71). The applied signal is divided at the prescaler section and programmable divider section and is then applied to the phase detector section.

The phase detector compares the input signal with the reference frequency, and then outputs the control signal (pulse-type) from pin 5 via the charge pump section. The pulse-type signal is converted into DC voltage at the loop filter (R17–R19, C16, C17), and then applied to the TX VCO (Q51, D35–D39) as the lock voltage.

4-3-3 RECEIVE LOOP

The generated signal at the RX VCO (Q41, D31–D34) is applied to the PLL IC (IC1, pin 8) via buffer-amplifier (Q71) and is divided at the prescaler section and programmable divider section and is then applied to the phase detector section.

• PLL CIRCUITS



4-4 POWER SUPPLY CIRCUITS

4-4-1 VOLTAGE LINES

LINE	DESCRIPTION
VCC	The voltage from the connected DC power supply passed through the [VOL] switch (R1: VR BOARD).
CPU5V	5V for the CPU (IC661) converted from the VCC line at the CPU5V regulator circuit (IC551).
M5V	Common 5V line converted from the VCC line at the M5V regulator circuit (Q551–Q553).
T5V	5V for the transmit circuits controlled by the T5V control circuit (Q323) using the T5VS signal from the CPU (IC661, pin 90).
S5V	5V for the AF circuits controlled by the S5V control circuit (Q561) using the S5VS signal from the CPU (IC661, pin 87).
R5V	5V for the receive circuits controlled by the R5V control circuit (Q322) using the R5VS signal from CPU (IC661, pin 89).

4-5 PORT ALLOCATIONS

4-5-1 CPU (IC661)

PIN NUMBER	PORT NAME	DESCRIPTION
1	BEEP	Output port for BEEP signal.
3	EXSTB	Output port for external expander strobe signal.
4	DASTB	Output port for external D/A strobe signal.
5	PLSTB	Output port for PLL strobe.
6	ERXDI	Input port for cloning.
7	ETXDO	Output port for cloning.
10	SDATA	Output port for serial data.
11	SCK	Output port for serial clock.
12	ESCK	Input port for EEPROM clock.
13	ESDA	I/O port for EEPROM data.
14	TLED	Output port for TX LED driver.
15	RLED	Output port for RX LED driver.
17	CSIFT	Output port for clock shift signal.
25	RESET	Input port for reset signal.
27	WDECV	Input port for WX tone signal.
28	EXDET	Input port for the [MIC/SP] detect signal.
29	VOXT	Input port for VOX signal.
30	BATTV	Input port for battery voltage detection signal.
31	TDETV	Input port for TX power level.
32	NOISV	Input port for noise level.
33	RSSIV	Input port for RSSI level.
34	LOINV	Input port for PLL lock voltage level.
35	TEMPV	Input port for temperature level.
75, 76	CONT1, CONT2	Output ports for LCD contrast control signal.

PIN NUMBER	PORT NAME	DESCRIPTION
77, 78	LEDS1, LEDS2	Output port for dimmer control signal.
80	MICMS	Output port for microphone mute signal. "HIGH": Microphone mute
81	ISPMS	Output port for internal speaker mute signal. "HIGH": Speaker mute
84	AFMS	Output port for AF mute signal.
85	AFVS	Output port for AF amplifier power supply control signal.
102	PTTIN	Input port for [PTT] switch.
103	EXPTT	Input port for external PTT switch.
104	BTYPE	Input port for battery type detection.
105	PTTM	Output port for microphone mute signal.
106–108	MIC1–MIC3	Output ports for microphone sensitivity detection signal.
109	SQL	Input port for [SQL] key.
110	UP	Input port for [▲] key.
111	DOWN	Input port for [▼] key.
112	CH/WX	Input port for [CALL] key.
113	16/9	Input port for [16] key.
114	SCAN	Input port for [CH] key.
115	H/L	Input port for [Hi/Lo] key.
117	VOXM	Output port for mute signal in VOX mode.
119	UNLK	Input port for PLL unlock signal.

4-5-2 EXPANDER (IC341)

PIN NUMBER	PORT NAME	DESCRIPTION
6	DETMS	Output port for DET mute signal.
11	ATTS	Output port for RF attenuator control signal.
12	TXMS	Output port for TX mute signal.
13	VCOS	TX/RX VCO switching signal.
14	SQLT	Output port for squelch control signal.

SECTION 5 ADJUSTMENT PROCEDURES

5-1 PREPARATION

■ REQUIRED TEST EQUIPMENTS

When adjusting IC-GM1600/E, the optional CS-M90/GM1600 ADJ ADJUSTMENT SOFTWARE (Rev. 1.0 or later), OPC-478 (RS-232 type) or OPC-478U (USB type) CLONING CABLE, OPC-1028 and JIG cable (see page 5-2) are required.

EQUIPMENT	GRADE AND RANGE	EQUIPMENT	GRADE AND RANGE
RF power meter (terminated type)	Measuring range : 0.1–3 W Frequency range : 100–300 MHz Impedance : 50 Ω SWR : Less than 1.2 : 1	Standard signal generator (SSG)	Frequency range : 0.1–300 MHz Output level : 0.1 μV to 32 mV (–127 to –17 dBm)
Frequency counter	Frequency range : 0.1–300 MHz Frequency accuracy: ±1 ppm or better Sensitivity : 100 mV or better	Oscilloscope	Frequency range : DC–20 MHz Measuring range : 0.01–20 V
FM deviation meter	Frequency range : 30–300 MHz Measuring range : 0 to ±10 kHz	AC millivoltmeter	Measuring range : 10 mV to 10 V
Audio generator	Frequency range : 300–3000 Hz Output level : 1–500 mV	External speaker	Input impedance : 8 Ω Capacity : More than 0.3 W
		Attenuator	Power attenuation : 20 or 30 dB Capacity : More than 5 W

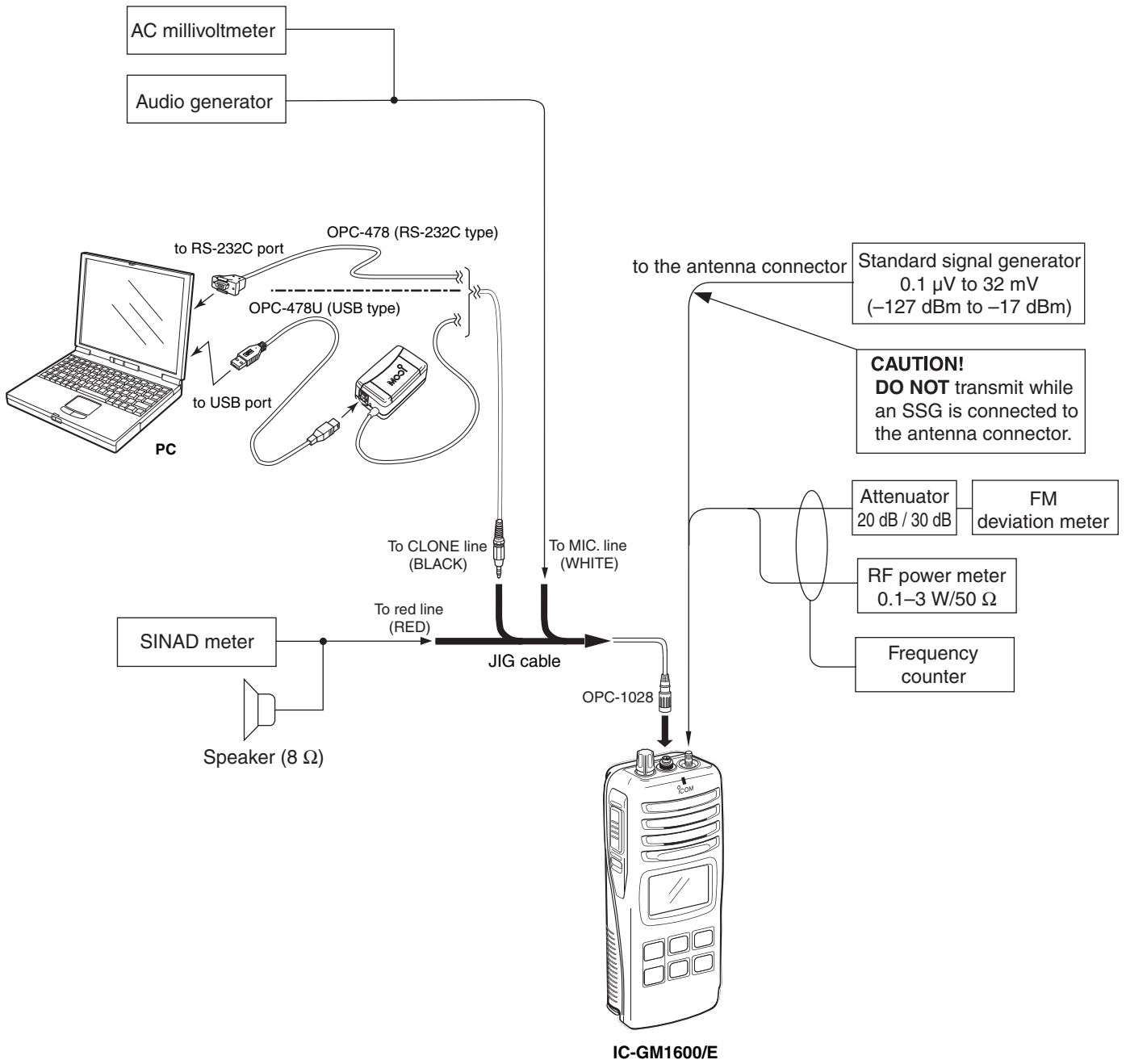
■ STARTING SOFTWARE ADJUSTMENT

- (1) Connect IC-GM1600/E and a PC with OPC-478/U, OPC-1028 and JIG CABLE.
- (2) Turn the transceiver ON.
- (3) Boot up Windows®, and click the program group 'CS-M90/GM1600 ADJ' in the 'Programs' folder of the [Start] menu, then CS-M90/GM1600 ADJ's window appears.
- (4) Click 'Adjust' on the CS-M90/GM1600's window, then IC-GM1600/E's up-to-date condition appears.
- (5) Set or modify adjustment data as desired.

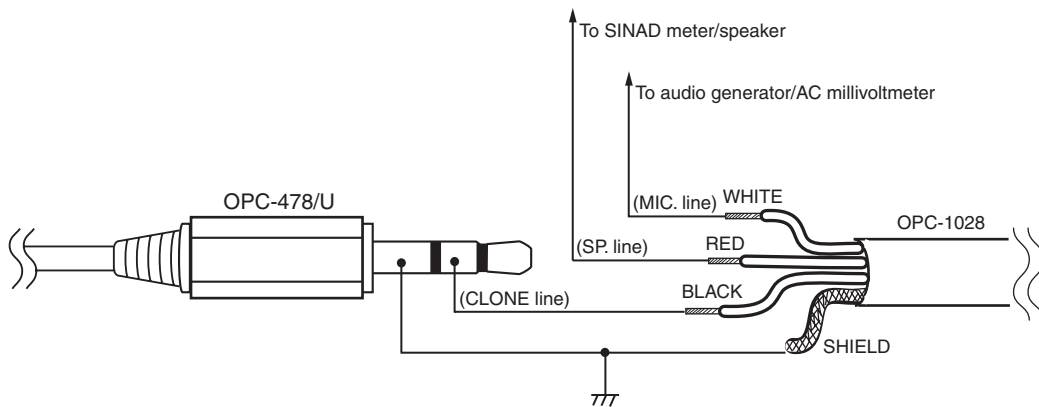
CAUTION!: BACK UP the originally programmed memory data in the transceiver before programming the adjustment frequencies. When program the adjustment frequencies into the transceiver, the transceiver's memory data will be overwritten and lose original memory data at the same time.

Microsoft and Windows are registered trademarks of Microsoft Corporation in the U.S.A. and other countries.

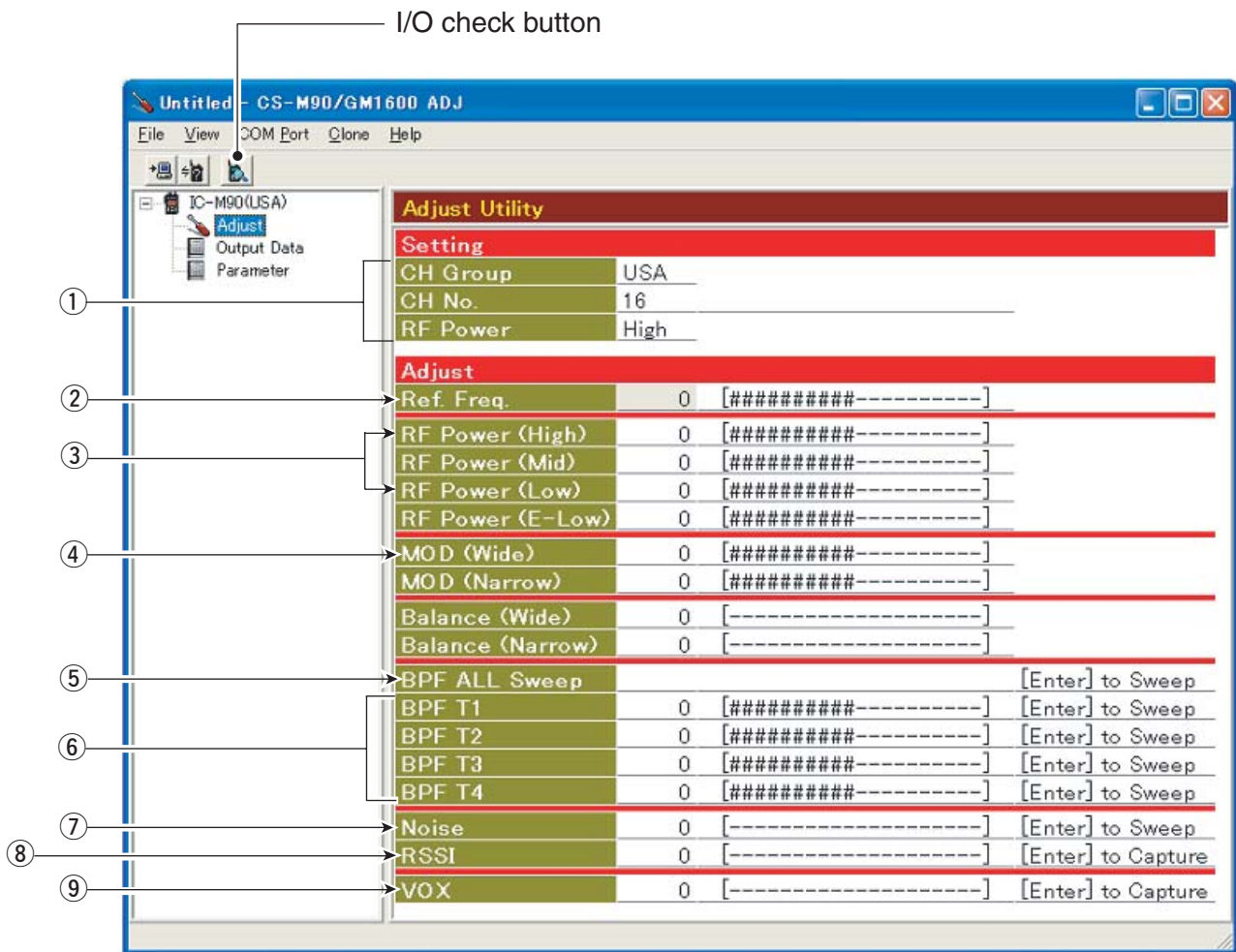
• CONNECTION



• JIG CABLE



• PC SCREEN EXAMPLE



NOTE: The above screen is an example.
Each transceiver has its own specific values for each setting.

- | | |
|---------------------------------------|----------------------------------|
| ①: Adjustment condition | ⑥: Receive sensitivity (Manualy) |
| ②: Reference frequency | ⑦: Squelch level |
| ③: RF output power | ⑧: S-meter |
| ④: FM deviation (Wide) | ⑨: VOX |
| ⑤: Receive sensitivity (Automaticaly) | |

5-2 SOFTWARE ADJUSTMENT (FREQUENCY)

Select the adjustment item with [↑] / [↓] keys, then set the value with [←] / [→] keys on the connected PC.

ADJUSTMENT	ADJUSTMENT CONDITION	MEASUREMENT		VALUE
		UNIT	OPERATION	
PLL LOCK VOLTAGE	1 <ul style="list-style-type: none"> • Operating CH. : 16 • Receiving 	PC screen	Check the LVIN Data cell's value in the I/O check window. Click the "I/O check button" on the CS-M90/GM1600 ADJ's screen (see page 5-3) to open the I/O check window as below.	1.5–3.0 V [USA] 1.85–3.35 V [Others] (Verify)
	2 <ul style="list-style-type: none"> • Operating CH. : 16 • RF power : Low • Transmitting 			1.4–2.9 V (Verify)
REFERENCE FREQUENCY [Ref. Freq.]	1 <ul style="list-style-type: none"> • Operating CH. : 16 • Connect the RF power meter or a 50 Ω dummy load to the antenna connector. • RF power : Low • Transmitting 	Top Panel	Loosely couple the frequency counter to the antenna connector.	156.8000 MHz ±500 Hz

The screenshot shows the 'I/O Check' window of the CS-M90/GM1600 ADJ software. The window title is 'CS-M90/GM1600 ADJ'. It contains two tables: 'Input' and 'Output'. The 'Input' table has columns for 'Input', 'Dec', 'Hex', and 'Data'. The 'Output' table has columns for 'Output', 'Dec', 'Hex', and 'Data'. The 'LVIN' row in the 'Input' table is highlighted in blue, and its 'Data' value is 2.08V. An arrow points from the text 'PLL LOCK VOLTAGE' to this value. At the bottom of the window, there are 'Update' and 'OK' buttons.

Input	Dec	Hex	Data
BATT	123	7B	7.72V
NOIS	57	39	1.12V
SD	52	34	1.02V
LVIN	106	6A	2.08V
TEMPS	184	B8	29.45°C
TXDET	0	0	0.00V
VOXT	83	53	1.63V

Output	Dec	Hex	Data
FRQCON	143	8F	2.80V
T1/POW	74	4A	1.45V
T2	99	63	1.94V
T3	74	4A	1.45V
T4	92	5C	1.80V

NOTE: The above screen is an example.
Each transceiver has its own specific values.

5-2 SOFTWARE ADJUSTMENT (TRANSMITTING)

Select the adjustment item with [↑] / [↓] keys, then set the value with [←] / [→] keys on the connected PC.

ADJUSTMENT	ADJUSTMENT CONDITION	MEASUREMENT		VALUE
		UNIT	OPERATION	
OUTPUT POWER [RF Power (High)]	1 <ul style="list-style-type: none"> • Operating CH. : 16 • RF power : High • Transmitting 	Top panel	Connect the RF power meter to the antenna connector.	2.0 W
[RF Power (Low)]	2 <ul style="list-style-type: none"> • Operating CH. : 16 • RF power : Low • Transmitting 			0.75 W
FM DEVIATION [MOD (Wide)]	1 <ul style="list-style-type: none"> • Operating CH. : 16 • Set the FM deviation meter as; <ul style="list-style-type: none"> HPF : OFF LPF : 20 kHz De-emphasis : OFF Detector : (P±P)/2 • Connect the audio generator to the [MIC/SP] jack through OPC-1028 and set as; <ul style="list-style-type: none"> Frequency : 1 kHz Level : 25 mV rms • Transmitting 	Top panel	Connect the FM deviation meter to the antenna connector through the attenuator.	±4.15–4.25 kHz
VOX [VOX]	1 <ul style="list-style-type: none"> • Operating CH. : 16 • Set to VOX mode. (Push [SQL] + [Hi/Lo].) • No audio applied to the [MIC/SP] jack. 	PC screen	Push the [ENTER] key on the keyboard of the connected PC.	Automatic adjustment

5-2 SOFTWARE ADJUSTMENT (RECEIVING)

Select the adjustment item with [↑] / [↓] keys, then set the value with [←] / [→] keys on the connected PC.

ADJUSTMENT	ADJUSTMENT CONDITION	MEASUREMENT		VALUE
		UNIT	OPERATION	
RECEIVE SENSITIVITY [BPF T1] [BPF T2] [BPF T3] [BPF T4]	1 <ul style="list-style-type: none"> Operating CH. : 16 Connect the standard signal generator to the antenna connector and set as; <ul style="list-style-type: none"> Frequency : 156.800 MHz Level : +20 dBμ* Modulation : 1 kHz Deviation : \pm3.0 kHz Receiving 	Top panel	Connect the distortion meter with an 8 Ω load to the [MIC/SP] jack through the JIG cable.	Minimum distortion level
<p>CONVENIENT: RECEIVE SENSITIVITY can be adjusted automatically.</p> <ol style="list-style-type: none"> Put the cursor on the [BPF ALL Sweep] on the CS-M90/GM1600 ADJ's screen and push the [ENTER] key. The connected PC tunes BPF T1–T4 to peak level automatically. <p style="text-align: center;">or</p> <ol style="list-style-type: none"> Put the cursor on the one of BPF T1–T4 as desired. Push the [ENTER] key to start tuning. Repeat 1 and 2 to perform additional BPF tuning. 				
SQUELCH LEVEL [Noise]	1 <ul style="list-style-type: none"> Operating CH. : 16 Connect the standard signal generator to the antenna connector and set as; <ul style="list-style-type: none"> Frequency : 156.800 MHz Level : -5 dBμ* [USA] -6 dBμ* [Others] Modulation : 1 kHz Deviation : \pm3.0 kHz Receiving 	Top panel	Push the [ENTER] key on the keyboard of the connected PC.	Automatic adjustment
S-METER [RSSI]	1 <ul style="list-style-type: none"> Operating CH. : 16 Connect the standard signal generator to the antenna connector and set as; <ul style="list-style-type: none"> Frequency : 156.800 MHz Level : -5 dBμ* [USA] -4 dBμ* [Others] Modulation : 1 kHz Deviation : \pm3.0 kHz Receiving 	Top panel	Push the [ENTER] key on the keyboard of the connected PC.	Automatic adjustment

*The output level of the standard signal generator (SSG) is indicated as the SSG's open circuit.

SECTION 6 PARTS LIST

• IC-GM1600/E

[MAIN UNIT]

REF NO.	ORDER NO.	DESCRIPTION	M.	H/V LOCATION
IC1	1140005990	S.IC MB15A02PFV1-G-BND-ER	B	55.7/12.1
IC141	1110002750	S.IC TA75S01F (TE85R)	T	107.2/24.2
IC231	1110003201	S.IC TA31136FNG (EL)	B	76.4/36.5
IC251	1190000350	S.IC M62363FP-650C	B	53.5/24.2
IC261	1110005340	S.IC NJM12902V-TE1	B	56.1/41.6
IC281	1130007301	S.IC TC4W66FU F(TE12L)	T	59/38.1
IC282	1130006220	S.IC TC4W53FU (TE12L)	T	61.1/42.4
IC341	1130007570	S.IC BU4094BCFV-E2	B	33/8.6
IC382	1110003800	S.IC NJM2904V-TE1	B	33.1/34
IC383	1130007990	S.IC TC3W03FU (TE12L)	B	9.5/38.5
IC421	1110001811	S.IC TA7368F G (ER)	T	102.1/34.9
IC481	1130007301	S.IC TC4W66FU F (TE12L)	B	46/37.6
IC491	1110003800	S.IC NJM2904V-TE1	B	41/32.8
IC551	1110005350	S.IC NJM2870F05-TE1	T	94.5/35.1
IC581	1110005770	S.IC S-80942CNMC-G9C-T2	B	6.8/12.4
IC591	1130011570	S.IC BR24L32FV-WE2	B	10.3/6.6
IC661	1140012420	S.IC μ PD78F0338GC-9EB	B	20/18.6
IC681	1130007301	S.IC TC4W66FU F(TE12L)	B	8.8/28.7
IC682	1130007301	S.IC TC4W66FU F(TE12L)	B	44.6/42.9
IC683	1110002750	S.IC TA75S01F (TE85R)	B	37.1/42.8
Q3	1560000540	S.FET 2SK880-Y (TE85R)	B	47.8/6
Q41	1530002920	S.TR 2SC4226-T1 R25	B	78.1/11.7
Q47	1590001190	S.TR XP6501-(TX) AB	B	78.2/3.8
Q51	1530002920	S.TR 2SC4226-T1 R25	B	74.5/16.2
Q61	1530002380	S.TR 2SC4215-Y (TE85R)	B	78.1/17.5
Q62	1530002380	S.TR 2SC4215-Y (TE85R)	B	78.8/23.2
Q71	1530002380	S.TR 2SC4215-Y (TE85R)	B	66.3/23.2
Q81	1590001400	S.TR XP1214 (TX)	T	72.2/17.3
Q82	1590003290	S.TR UNR9213J-(TX)	T	72.2/19.9
Q91	1530003420	S.TR 2SC5110-O (TE85R)	T	82.3/8.9
Q101	1560001240	S.FET RD01MUS1	T	93.9/10.4
Q111	1560001230	S.FET RD07MVS1	T	100.1/10
Q141	1590003230	S.TR UNR91113J-(TX)	T	110/23
Q165	1580000751	S.FET 3SK294 E (TE85L)	B	96.3/19
Q171	1560000840	S.FET 2SK1829 (TE85R)	B	98.9/17.1
Q191	1580000760	S.FET 3SK299-T1 U73	B	86.5/19.6
Q211	1530002600	S.TR 2SC4215-O (TE85R)	T	84.5/37.9
Q221	1530002690	S.TR 2SC4116-GR (TE85R)	B	65.1/30.3
Q231	1590003230	S.TR UNR91113J-(TX)	T	69.7/38.2
Q232	1530003310	S.TR 2SC5107-O (TE85R)	T	85.4/34
Q291	1590001650	S.TR XP4601 (TX)	T	59.1/32.5
Q321	1510000670	S.TR 2SA1588-GR (TE85R)	T	93.3/23.3
Q322	1510000670	S.TR 2SA1588-GR (TE85R)	T	96.9/24.1
Q323	1510000670	S.TR 2SA1588-GR (TE85R)	T	99.7/26.5
Q324	1590001770	S.TR XP1213 (TX)	B	81.1/29.8
Q381	1590003290	S.TR UNR9213J-(TX)	B	5.7/37.2
Q411	1530003091	S.TR 2SC4213-B F (TE85R)	B	96.3/31.1
Q431	1520000450	S.TR 2SB1132 T100 Q	T	111.4/30.5
Q432	1590001190	S.TR XP6501-(TX) AB	T	107.6/29.6
Q441	1530002850	S.TR 2SC4116-BL (TE85R)	T	101.5/39.2
Q442	1560001330	S.FET RSR025N03	T	103.3/42.4
Q443	1560001330	S.FET RSR025N03	T	97.9/41.4
Q444	1590003290	S.TR UNR9213J-(TX)	T	98.3/38.4
Q461	1590003380	S.TR UNR9111J-(TX)	B	90.3/42.5
Q462	1590003380	S.TR UNR9111J-(TX)	B	90/45.6
Q501	1590003290	S.TR UNR9213J-(TX)	B	34.6/26.1
Q531	1590001770	S.TR XP1213 (TX)	B	37.5/16.8
Q532	1530002850	S.TR 2SC4116-BL (TE85R)	B	36.9/23
Q551	1520000450	S.TR 2SB1132 T100 Q	B	101.1/39.9
Q552	1590001190	S.TR XP6501-(TX) AB	B	102.2/35.5
Q553	1590003290	S.TR UNR9213J-(TX)	B	98.6/35
Q561	1510000670	S.TR 2SA1588-GR (TE85R)	T	100.5/23.8
Q651	1590001770	S.TR XP1213 (TX)	B	27.3/27.8
Q652	1590000660	S.TR DTC144TU T106	B	6.4/33.7
Q653	1590001770	S.TR XP1213 (TX)	B	52/35.6
Q654	1590003290	S.TR UNR9213J-(TX)	B	53.5/33.1
Q655	1590001540	S.TR UMD6N TR	T	112.4/20.6
Q656	1590003550	S.TR XP4313 (TX)	B	3.6/31.2
D1	1790001250	S.DIO MA2S111-(TX)	B	51.2/14.6
D31	1750000711	S.VCP HVC350B-E	B	70.7/9.2
D32	1750000711	S.VCP HVC350B-E	B	72/9.2
D33	1750000711	S.VCP HVC350B-E	B	68.1/9.2
D34	1750000711	S.VCP HVC350B-E	B	69.4/9.2
D35	1750000711	S.VCP HVC350B-E	B	65.7/16
D36	1750000711	S.VCP HVC350B-E	B	65.7/14.7
D37	1750000711	S.VCP HVC350B-E	B	63.8/17.5
D38	1750000711	S.VCP HVC350B-E	B	63.8/18.8
D39	1720000400	S.VCP 1SV245 (TPH3)	T	66.4/20.1
D40	1790001620	S.DIO 1SV308 (TPL3)	B	65.4/10
D41	1790000680	S.DIO SB20-03P-TD	B	118.7/29.3
D91	1790000620	S.DIO MA77 (TX)	T	82.5/18.4

[MAIN UNIT]

REF NO.	ORDER NO.	DESCRIPTION	M.	H/V LOCATION
D92	1790000620	S.DIO MA77 (TX)	T	81.3/22
D121	1790001670	S.DIO RB706F-40T106	T	108.3/15.9
D131	1750000580	S.DIO 1SV307 (TPH3)	T	111.9/9.8
D132	1790001210	S.DIO 1SS375-TL	T	114.3/14
D141	1790001240	S.DIO MA2S728-(TX)	T	102.6/25.1
D151	1750000580	S.DIO 1SV307 (TPH3)	B	113.2/8.5
D152	1790001260	S.DIO MA2S077-(TX)	B	111.3/12.7
D153	1790001620	S.DIO 1SV308 (TPL3)	B	112.9/15.1
D154	1750000711	S.VCP HVC350BTRF-E	B	109.1/20.4
D155	1750000711	S.VCP HVC350BTRF-E	B	104.1/21.6
D171	1790001250	S.DIO MA2S111-(TX)	B	102/16.9
D181	1750000711	S.VCP HVC350BTRF-E	B	93.5/21.5
D182	1750000711	S.VCP HVC350BTRF-E	B	90.5/21.5
D231	1750000520	S.DIO DAN222TL	T	76.1/41.2
D232	1750000520	S.DIO DAN222TL	T	74.1/37.6
D601	1790001260	S.DIO MA2S077-(TX)	T	7.3/12.6
D602	1750000370	S.DIO DA221 TL	B	10/32.6
D603	1790001250	S.DIO MA2S111-(TX)	B	34.6/42.1
FI211	2030000230	S.MLH FL-355 (31.05 MHz) [GEN], [EUR], [UK]	B	89.1/32.7
		[USA]	B	89.1/32.7
FI231	2020001270	S.FIL FL-377 MFT31P (31.05 MHz) [USA]	B	89.1/32.7
FI232	2020001410	CER CFWLB450KE2A-B0		
		CER CFWLB450KGFA-B0		
X1	6050011940	S.XTL CR-783 (15.3 MHz)	B	47.6/11.9
X231	6070000190	S.DCR CDBC450K CAY24-R0	T	79.2/30.1
X381	6050011560	S.XTL CR-746 (4.000 MHz)	B	13.9/38.5
X601	6050011550	S.XTL CR-747 (9.8304 MHz)	T	2.9/17.6
L31	6200005540	S.COL ELJNC R47K-F	T	66.7/9.9
L32	6200007710	S.COL LQW2BHN27NJ01L [GEN], [EUR], [UK]	B	67.4/12.2
		[USA]	B	67.4/12.2
L33	6200008090	S.COL LQW2BHN68NJ01L	T	63.6/13.8
L34	6200007760	S.COL LQW2BHN82NJ01L	B	63.5/15.2
L35	6200007730	S.COL LQW2BHN39NJ01L Except [USA]	B	63.9/12.3
L41	6200007760	S.COL LQW2BHN82NJ01L	B	71.5/12.2
L51	6200007770	S.COL LQW2BHN10J01L	B	68.6/17.2
L61	6200006980	S.COL ELJRE R10G-F	B	76.6/19.9
L62	6200006980	S.COL ELJRE R10G-F	B	74.2/22.3
L71	6200006980	S.COL ELJRE R10G-F	B	68.4/21.3
L72	6200005720	S.COL ELJRE 33NG-F	B	63.8/21.6
L81	6200007170	S.COL MLF1608A 3R3K-T	T	74.9/12.3
L82	6200007170	S.COL MLF1608A 3R3K-T	T	74.8/15.3
L92	6200006980	S.COL ELJRE R10G-F	T	84.7/11.2
L102	6200007690	S.COL LQW2BHN18NJ01L	T	93.9/15.2
L112	6200009240	S.COL 0.20-1.0-7TL 31N	T	104.1/13.9
L121	6200010640	S.COL 0.26-1.0-3TL 8.5N	T	102.9/5.2
L122	6200009450	S.COL 0.20-1.0-6TL 25N	T	105.6/4.3
L123	6200008280	S.COL 0.30-1.7-7TL 50N	T	110.1/5.9
L124	6200003711	S.COL NLV25T 2R7J 2.7U	T	111.1/13
L131	6200009800	S.COL 0.26-1.1-7TR 30N	B	112.1/4.6
L132	6200008580	S.COL 0.30-1.4-6TL 32N	T	115.4/9.8
L151	6200008280	S.COL 0.30-1.7-7TL 50N	B	110/8.7
L152	6200005740	S.COL ELJRE 47NG-F	B	109.3/12
L153	6200003960	S.COL MLF1608A 1R0K-T	B	112.9/16.5
L154	6200007750	S.COL LQW2BHN56NJ01L	B	107.9/18
L155	6200007750	S.COL LQW2BHN56NJ01L	B	103.7/17.3
L156	6200001770	S.COL ELJNC 47NK-F [GEN], [EUR], [UK]	B	112.6/18.4
		[USA]	B	112.6/18.4
L165	6200003960	S.COL MLF1608A 1R0K-T	B	97.3/24.7
L166	6200007750	S.COL LQW2BHN56NJ01L	B	95.3/22.1
L181	6200007750	S.COL LQW2BHN56NJ01L	B	89.6/17.9
L191	6200010960	S.COL C2520C-R47G-A (0.47U)	B	83.1/21.7
L203	6200009180	S.COL ELJRE R10J-F3	B	84.7/16
L221	6200003960	S.COL MLF1608A 1R0K-T	B	64.2/28.1
L222	6200004480	S.COL MLF1608D R82K-T	B	69.6/28.9
R1	7030005100	S.RES ERJ2GEJ 154 X (150 kΩ)	B	54/16.4
R2	7030007250	S.RES ERJ2GEJ 220 X (22 Ω)	B	54.6/17.8
R4	7510001660	S.TMR NTCG16 4LH 473KT	B	41.8/9.1
R5	7030003940	S.RES ERJ3GEYF 104 V (100 kΩ)	B	43.8/8
R6	7030005110	S.RES ERJ2GEJ 224 X (220 kΩ)	B	44.4/16.6
R9	7030005230	S.RES ERJ2GEJ 334 X (330 kΩ)	B	43.9/15.1
R15	7030005050	S.RES ERJ2GEJ 103 X (10 kΩ)	B	50/8.7
R16	7030005580	S.RES ERJ2GEJ 560 X (56 Ω)	B	53.6/15.4
R17	7030004980	S.RES ERJ2GEJ 101 X (100 Ω)	B	53.5/8.8
R18	7030005120	S.RES ERJ2GEJ 102 X (1 kΩ)	B	53.5/7.8
R19	7030005000	S.RES ERJ2GEJ 471 X (470 Ω)	B	54.9/8.3
R20	7030005120	S.RES ERJ2GEJ 102 X (1 kΩ)	B	45.3/6.8

M.=Mounted side (T: Mounted on the Top side, B: Mounted on the Bottom side)

S.=Surface mount

[MAIN UNIT]

REF NO.	ORDER NO.	DESCRIPTION	M.	H/V LOCATION
R21	7030005050	S.RES ERJ2GEJ 103 X (10 kΩ)	B	49.7/7.2
R22	7030005210	S.RES ERJ2GEJ 822 X (8.2 kΩ)	B	45.8/4.5
R31	7030005530	S.RES ERJ2GEJ 100 X (10 Ω)	T	64.1/9.9
R32	7030005120	S.RES ERJ2GEJ 102 X (1 kΩ)	B	73.2/8.8
R33	7030005120	S.RES ERJ2GEJ 102 X (1 kΩ)	B	68.8/15.1
R34	7030005530	S.RES ERJ2GEJ 100 X (10 Ω)	T	63.6/11.2
R35	7030008300	S.RES ERJ2GEJ 184 X (180 kΩ)	T	69.1/20.4
R36	7030005240	S.RES ERJ2GEJ 473 X (47 kΩ)	T	68.8/21.9
R37	7030005090	S.RES ERJ2GEJ 104 X (100 kΩ)	T	67.8/19.9
R38	7030005240	S.RES ERJ2GEJ 473 X (47 kΩ)	T	63.9/23
R39	7030005090	S.RES ERJ2GEJ 104 X (100 kΩ)	T	66.4/22.9
R40	7030005040	S.RES ERJ2GEJ 472 X (4.7 kΩ)	T	65.2/8.3
		Except [USA]		
R41	7030006461	S.RES ERA3YED 152V	B	77.9/2
R42	7030006571	S.RES ERA3YED 392V	B	75.7/9
R43	7030009320	S.RES ERJ2GEJ 4R7 X (4.7 Ω)	B	76.3/11.4
R47	7030007290	S.RES ERJ2GEJ 222 X (2.2 kΩ)	B	80.2/3.2
R51	7030006601	S.RES ERA3YED 272V	B	74.3/14.3
R52	7030005331	S.RES ERA3YED 562V	B	71.3/15.2
R53	7030009320	S.RES ERJ2GEJ 4R7 X (4.7 Ω)	B	72.5/15.6
R61	7030004980	S.RES ERJ2GEJ 101 X (100 Ω)	B	75.3/19.7
R62	7030005070	S.RES ERJ2GEJ 683 X (68 kΩ)	B	76.3/17.6
R63	7030009320	S.RES ERJ2GEJ 4R7 X (4.7 Ω)	B	72/22.9
R64	7030005240	S.RES ERJ2GEJ 473 X (47 kΩ)	B	75/23.8
R65	7030004980	S.RES ERJ2GEJ 101 X (100 Ω)	B	75/21.1
R71	7030005070	S.RES ERJ2GEJ 683 X (68 kΩ)	B	69.1/23.6
R72	7030004990	S.RES ERJ2GEJ 221 X (220 Ω)	B	69.6/21.6
R81	7030007280	S.RES ERJ2GEJ 331 X (330 Ω)	T	72.9/12.9
R82	7030009280	S.RES ERJ2GEJ 391 X (390 Ω)	T	73.5/14.8
R83	7030005040	S.RES ERJ2GEJ 472 X (4.7 kΩ)	T	70/18.4
R84	7030005040	S.RES ERJ2GEJ 472 X (4.7 kΩ)	T	69.1/19.4
R91	7030005120	S.RES ERJ2GEJ 102 X (1 kΩ)	T	80.5/20.2
R92	7030004980	S.RES ERJ2GEJ 101 X (100 Ω)	T	85/16.2
R93	7030005050	S.RES ERJ2GEJ 103 X (10 kΩ)	T	84.3/17.2
R94	7030005030	S.RES ERJ2GEJ 152 X (1.5 kΩ)	T	81.2/10.7
R95	7030005000	S.RES ERJ2GEJ 471 X (470 Ω)	T	83.1/10.7
R96	7030007300	S.RES ERJ2GEJ 332 X (3.3 kΩ)	T	83.1/11.7
R97	7030005530	S.RES ERJ2GEJ 100 X (10 Ω)	T	86.1/11.8
R98	7030004980	S.RES ERJ2GEJ 101 X (100 Ω)	T	80.9/7
R101	7030005040	S.RES ERJ2GEJ 472 X (4.7 kΩ)	T	91.1/5.1
R102	7030005060	S.RES ERJ2GEJ 333 X (3.3 kΩ)	T	91.6/3.7
R103	7030005590	S.RES ERJ2GEJ 680 X (68 Ω)	T	92/6.6
R111	7030003200	S.RES ERJ3GEYJ 100 V (10 Ω)	T	96.9/5.5
R112	7030005530	S.RES ERJ2GEJ 100 X (10 Ω)	T	96.9/4.3
R113	7030005040	S.RES ERJ2GEJ 472 X (4.7 kΩ)	T	93/4.3
R114	7030005090	S.RES ERJ2GEJ 104 X (100 kΩ)	T	93/3.2
R121	7030003580	S.RES ERJ3GEYJ 153 V (15 kΩ)	T	110.2/16.1
R122	7030000280	S.RES MCR10EZHU 150 Ω (151)	T	112.8/17.3
R131	7030003670	S.RES ERJ3GEYJ 823 V (82 kΩ)	B	116.7/8.9
R132	7030007340	S.RES ERJ2GEJ 153 X (15 kΩ)	T	115.4/17.4
R133	7030005050	S.RES ERJ2GEJ 103 X (10 kΩ)	T	114.4/17.4
R141	7030005100	S.RES ERJ2GEJ 154 X (150 kΩ)	T	104.3/25.4
R142	7030007350	S.RES ERJ2GEJ 393 X (39 kΩ)	T	104.8/24
R143	7030007290	S.RES ERJ2GEJ 222 X (2.2 kΩ)	T	107.7/21.6
R144	7030009140	S.RES ERJ2GEJ 272 X (2.7 kΩ)	T	109.1/21.2
R145	7030008010	S.RES ERJ2GEJ 123 X (12 kΩ)	T	109.2/19.8
R146	7030005050	S.RES ERJ2GEJ 103 X (10 kΩ)	T	107.8/20.3
R147	7030005100	S.RES ERJ2GEJ 154 X (150 kΩ)	T	106.4/20.8
R148	7030004980	S.RES ERJ2GEJ 101 X (100 Ω)	T	104.8/22.1
R149	7030005120	S.RES ERJ2GEJ 102 X (1 kΩ)	T	104.2/20.6
R151	7030004980	S.RES ERJ2GEJ 101 X (100 Ω)	B	111.6/13.9
R152	7030005090	S.RES ERJ2GEJ 104 X (100 kΩ)	B	114.8/17.5
		[GEN], [EUR], [UK]		
R153	7030005110	S.RES ERJ2GEJ 223 X (22 kΩ)	B	114.8/17.5
R154	7030005050	S.RES ERJ2GEJ 103 X (10 kΩ)	B	108.9/22.2
R155	7030005110	S.RES ERJ2GEJ 224 X (220 kΩ)	B	107.4/23.2
R156	7030005050	S.RES ERJ2GEJ 103 X (10 kΩ)	B	103.1/23.4
R165	7030005090	S.RES ERJ2GEJ 104 X (100 kΩ)	B	101.7/23.8
		[USA]		
R166	7030008290	S.RES ERJ2GEJ 183 X (18 kΩ)	B	98.1/19.3
		[GEN], [EUR], [UK]		
R166	7030005100	S.RES ERJ2GEJ 154 X (150 kΩ)	B	98.1/19.3
		[GEN], [EUR], [UK]		
R167	7030005700	S.RES ERJ2GEJ 274 X (270 kΩ)	B	97/16.6
R171	7030005000	S.RES ERJ2GEJ 471 X (470 Ω)	B	97/16.6
R171	7030005050	S.RES ERJ2GEJ 103 X (10 kΩ)	B	98.6/21.4
R172	7030005170	S.RES ERJ2GEJ 474 X (470 kΩ)	B	100.2/22.4
R173	7030009290	S.RES ERJ2GEJ 562 X (5.6 kΩ)	B	101.9/18.6
R174	7030007060	S.RES ERJ2GEJ 684X (680 kΩ)	B	100.8/16.6
		Except [USA]		
R175	7030005050	S.RES ERJ2GEJ 103 X (10 kΩ)	B	96/16.6
R181	7030009270	S.RES ERJ2GEJ 821 X (820 Ω)	B	99.1/19.3
R182	7030005110	S.RES ERJ2GEJ 224 X (220 kΩ)	B	92.7/17.4
R183	7030005050	S.RES ERJ2GEJ 103 X (10 kΩ)	B	93.1/23.7
R184	7030005110	S.RES ERJ2GEJ 224 X (220 kΩ)	B	93.7/25.4
R185	7030005050	S.RES ERJ2GEJ 103 X (10 kΩ)	B	90.5/23.7
R191	7030005710	S.RES ERJ2GEJ 121 X (120 Ω)	B	91.4/25.1
R192	7030004980	S.RES ERJ2GEJ 101 X (100 Ω)	B	87.2/23.4
R193	7030007300	S.RES ERJ2GEJ 332 X (3.3 kΩ)	B	85.2/22
R194	7030003520	S.RES ERJ3GEYJ 472 V (4.7 kΩ)	B	82.8/17.8
R201	7030005120	S.RES ERJ2GEJ 102 X (1 kΩ)	B	87.2/16.8
R202	7030005050	S.RES ERJ2GEJ 103 X (10 kΩ)	T	84.8/23.7
R203	7030005000	S.RES ERJ2GEJ 471 X (470 Ω)	T	83.5/22.8
				87.2/22

M.=Mounted side (T: Mounted on the Top side, B: Mounted on the Bottom side)

[MAIN UNIT]

REF NO.	ORDER NO.	DESCRIPTION	M.	H/V LOCATION
R204	7030010430	S.RES ERJ2GEJ 120 X (12 Ω)	T	85.9/20.8
R205	7030005000	S.RES ERJ2GEJ 471 X (470 Ω)	T	86.4/19.5
R206	7030005040	S.RES ERJ2GEJ 472 X (4.7 kΩ)	B	85.9/16.5
R211	7030005120	S.RES ERJ2GEJ 102 X (1 kΩ)	B	85.9/25.2
R213	7030005030	S.RES ERJ2GEJ 152 X (1.5 kΩ)	T	
		[GEN], [EUR], [UK]		
	7030005120	S.RES ERJ2GEJ 102 X (1 kΩ)	T	88.3/38.5
		[USA]		
R214	7030005000	S.RES ERJ2GEJ 471 X (470 Ω)	T	85/35.9
R215	7030005310	S.RES ERJ2GEJ 124 X (120 kΩ)	T	86.3/38.5
R216	7030005010	S.RES ERJ2GEJ 681 X (680 Ω)	T	86.6/36.8
R221	7030007060	S.RES ERJ2GEJ 684X (680 kΩ)	B	63.3/29.8
R222	7030007570	S.RES ERJ2GEJ 122 X (1.2 kΩ)	B	62.3/29.8
R223	7030007270	S.RES ERJ2GEJ 151 X (150 Ω)	B	81.3/38.2
R231	7030007300	S.RES ERJ2GEJ 332 X (3.3 kΩ)	T	80.6/35
R232	7030004970	S.RES ERJ2GEJ 470 X (47 Ω)	T	83.1/35.9
R233	7030007340	S.RES ERJ2GEJ 153 X (15 kΩ)	T	76.1/43.4
R234	7030005220	S.RES ERJ2GEJ 223 X (22 kΩ)	T	71.9/39.2
R235	7030005220	S.RES ERJ2GEJ 223 X (22 kΩ)	T	72.5/36
R236	7030009320	S.RES ERJ2GEJ 4R7 X (4.7 Ω)	T	73.9/39.3
R237	7030008010	S.RES ERJ2GEJ 123 X (12 kΩ)	T	71.9/38.2
R238	7030007340	S.RES ERJ2GEJ 153 X (15 kΩ)	T	78.5/37.6
R239	7030005230	S.RES ERJ2GEJ 334 X (330 kΩ)	B	80.7/34.3
R240	7030005600	S.RES ERJ2GEJ 273 X (27 kΩ)	B	78.2/33.2
R241	7030007290	S.RES ERJ2GEJ 222 X (2.2 kΩ)	B	82.9/36
R242	7030009280	S.RES ERJ2GE	B	73.1/33.2
R243	7030009320	S.RES ERJ2GEJ 4R7 X (4.7 Ω)	T	71.9/37.2
R244	7030007290	S.RES ERJ2GEJ 222 X (2.2 kΩ)	T	82.6/34.6
R245	7030005240	S.RES ERJ2GEJ 473 X (47 kΩ)	T	85.1/32.2
R246	7030005240	S.RES ERJ2GEJ 473 X (47 kΩ)	T	86.8/31.1
R247	7030007570	S.RES ERJ2GEJ 122 X (1.2 kΩ)	T	
		[USA], [GEN]		
	7030009140	S.RES ERJ2GEJ 272 X (2.7 kΩ)	B	81.9/32.3
		[EUR], [UK]		
R251	7030005000	S.RES ERJ2GEJ 471 X (470 Ω)	B	81.9/32.3
R261	7030005040	S.RES ERJ2GEJ 472 X (4.7 kΩ)	B	57.8/18.3
R262	7030008010	S.RES ERJ2GEJ 123 X (12 kΩ)	B	62.8/36.5
R263	7030005240	S.RES ERJ2GEJ 473 X (47 kΩ)	B	61.2/39.2
R264	7030005210	S.RES ERJ2GEJ 473 X (47 kΩ)	B	60.8/37.8
R264	7030005210	S.RES ERJ2GEJ 822 X (8.2 kΩ)	B	60.9/40.2
R264	7030010040	S.RES ERJ2GEJ-JPW	B	60.9/40.2
R265	7030005050	S.RES ERJ2GEJ 103 X (10 kΩ)	B	58.6/37.8
R266	7030009290	S.RES ERJ2GEJ 562 X (5.6 kΩ)	B	59.8/38.3
R267	7030005050	S.RES ERJ2GEJ 103 X (10 kΩ)	B	63.5/41.1
R269	7030005090	S.RES ERJ2GEJ 104 X (100 kΩ)	B	57.6/37.8
R270	7030007340	S.RES ERJ2GEJ 153 X (15 kΩ)	B	60.9/43.3
R271	7030005720	S.RES ERJ2GEJ 563 X (56 kΩ)	B	63.4/43.1
R272	7030005100	S.RES ERJ2GEJ 154 X (150 kΩ)	B	60.7/44.7
R273	7030005120	S.RES ERJ2GEJ 102 X (1 kΩ)	B	59.7/45.3
R274	7030005120	S.RES ERJ2GEJ 102 X (1 kΩ)	B	62.1/44.5
R275	7030008300	S.RES ERJ2GEJ 184 X (180 kΩ)	T	56.6/41.3
R276	7030005050	S.RES ERJ2GEJ 103 X (10 kΩ)	T	56.9/44.9
R277	7030006610	S.RES ERJ2GEJ 394 X (390 kΩ)	T	55.5/43.5
R281	7030005090	S.RES ERJ2GEJ 104 X (100 kΩ)	T	62.2/38.8
R282	7030005090	S.RES ERJ2GEJ 104 X (100 kΩ)	T	57.8/35.7
R283	7030005090	S.RES ERJ2GEJ 104 X (100 kΩ)	T	58.9/44.3
R284	7030005090	S.RES ERJ2GEJ 104 X (100 kΩ)	T	59.7/35.7
R291	7030005070	S.RES ERJ2GEJ 683 X (68 kΩ)	T	61.5/34.1
R292	7030005070	S.RES ERJ2GEJ 683 X (68 kΩ)	T	62/32
R293	7030005070	S.RES ERJ2GEJ 683 X (68 kΩ)	T	61/32
R294	7030005050	S.RES ERJ2GEJ 103 X (10 kΩ)	T	63.4/29.6
R296	7030007340	S.RES ERJ2GEJ 153 X (15 kΩ)	T	60/34.3
R297	7030005050	S.RES ERJ2GEJ 103 X (10 kΩ)	T	56.1/31.7
R298	7030005040	S.RES ERJ2GEJ 472 X (4.7 kΩ)	T	56.6/29.4
R305	7030005090	S.RES ERJ2GEJ 104 X (100 kΩ)	T	60.5/30.5
R306	7030005070	S.RES ERJ2GEJ 683 X (68 kΩ)	T	59.2/30.2
R307	7030007570	S.RES ERJ2GEJ 122 X (1.2 kΩ)	T	57.1/32.2
R321	7030005050	S.RES ERJ2GEJ 103 X (10 kΩ)	T	93.5/21.2
R322	7030005040	S.RES ERJ2GEJ 472 X (4.7 kΩ)	T	91.5/23.2
R323	7030005050	S.RES ERJ2GEJ 103 X (10 kΩ)	T	95.4/22.2
R324	7030005040	S.RES ERJ2GEJ 472 X (4.7 kΩ)	T	95.1/23.7
R325	7030005050	S.RES ERJ2GEJ 103 X (10 kΩ)	T	97.8/26.5
R326	7030005040	S.RES ERJ2GEJ 472 X (4.7 kΩ)	T	96.8/26.5
R381	7030005050	S.RES ERJ2GEJ 103 X (10 kΩ)	B	

[MAIN UNIT]

Table with 5 columns: REF NO., ORDER NO., DESCRIPTION, M., H/V LOCATION. Rows include components like ERJ2GEJ 273 X (27 kΩ), ERJ2GEJ 105 X (1 MΩ), etc.

[MAIN UNIT]

Table with 5 columns: REF NO., ORDER NO., DESCRIPTION, M., H/V LOCATION. Rows include components like ERJ2GEJ 274 X (270 kΩ), ERJ2GEJ 394 X (390 kΩ), etc.

M.=Mounted side (T: Mounted on the Top side, B: Mounted on the Bottom side)

S.=Surface mount

[MAIN UNIT]

REF NO.	ORDER NO.	DESCRIPTION	M.	H/V LOCATION
C91	4030007000	S.CER C1608 CH 1H 090D-T	T	78.9/21.2
C92	4030017460	S.CER ECJ0EB1E102K	T	83/16.2
C96	4030017460	S.CER ECJ0EB1E102K	T	86.1/14.2
C97	4030017420	S.CER ECJ0EC1H470J	T	84.3/13
C98	4030017460	S.CER ECJ0EB1E102K	T	84.3/14
C99	4030017460	S.CER ECJ0EB1E102K	T	80.9/6
C100	4030017380	S.CER ECJ0EC1H050B	T	82.6/13
C103	4030007030	S.CER C1608 CH 1H 150J-T	T	90/7
C104	4030016930	S.CER ECJ0EB1A104K	T	93.3/6.1
C105	4030017460	S.CER ECJ0EB1E102K	T	93.3/7.1
C106	4030017460	S.CER ECJ0EB1E102K	T	91.8/14.3
C107	4030007050	S.CER C1608 CH 1H 220J-T	T	96.9/14.8
C111	4030007130	S.CER C1608 CH 1H 101J-T	T	94.9/6.2
C112	4030017460	S.CER ECJ0EB1E102K	T	95.5/3.8
C113	4030016930	S.CER ECJ0EB1A104K	T	94.5/3.8
C114	4030017420	S.CER ECJ0EC1H470J	T	106.1/16.4
C115	4030017460	S.CER ECJ0EB1E102K	T	104.2/16.1
C121	4030007100	S.CER C1608 CH 1H 560J-T	T	103.6/2.7
C122	4030007080	S.CER C1608 CH 1H 390J-T	T	104.3/6.8
C123	4030009650	S.CER C1608 CH 1H 240J-T	T	107.6/4.3
C124	4030006860	S.CER C1608 JB 1H 102K-T	T	106.9/6.5
C125	4030007030	S.CER C1608 CH 1H 150J-T	T	109.6/3
C126	4030007040	S.CER C1608 CH 1H 180J-T	T	110.9/3
C127	4030006860	S.CER C1608 JB 1H 102K-T	T	110.8/8.7
C128	4030017420	S.CER ECJ0EC1H470J	T	112.5/15.1
C129	4030017460	S.CER ECJ0EB1E102K	T	111.4/17.2
C131	4030006860	S.CER C1608 JB 1H 102K-T	T	112.7/5.8
C132	4030007050	S.CER C1608 CH 1H 220J-T	T	112.8/3
C133	4030011530	S.CER C1608 CH 1H 110J-T	T	114.3/6.8
C134	4030009650	S.CER C1608 CH 1H 240J-T	T	116.8/7.5
C135	4030006980	S.CER C1608 CH 1H 070D-T	B	115.4/8.9
C136	4030007000	S.CER C1608 CH 1H 090D-T	T	117.5/10.1
C137	4030017460	S.CER ECJ0EB1E102K	T	114.9/16.1
C138	4030009500	S.CER C1608 CH 1H 0R5B-T	T	113/11.7
C141	4030016930	S.CER ECJ0EB1A104K	T	103.8/24
C142	4030017460	S.CER ECJ0EB1E102K	T	110.2/19.8
C143	4030016930	S.CER ECJ0EB1A104K	T	105.4/20.8
C144	4030016790	S.CER ECJ0EB1C103K	T	109.5/25.2
C145	4030017460	S.CER ECJ0EB1E102K	T	103.2/20.6
C151	4030007000	S.CER C1608 CH 1H 090D-T	B	109.5/3
C152	4030007010	S.CER C1608 CH 1H 100D-T	B	112.9/10.1
C153	4030009530	S.CER C1608 CH 1H 030B-T	B	111.3/11.4
C154	4030017460	S.CER ECJ0EB1E102K	B	109.7/13.9
C155	4030017460	S.CER ECJ0EB1E102K	B	115.8/16.5
C156	4030011770	S.CER C1608 CH 1H 060B-T	B	109.3/15.7
C157	4030007060	S.CER C1608 CH 1H 270J-T	B	107.8/20.4
C158	4030017460	S.CER ECJ0EB1E102K	B	107/22.2
C159	4030009550	S.CER C1608 CH 1H 2R5B-T	B	107.3/16.2
C160	4030009510	S.CER C1608 CH 1H 010B-T	B	105.7/19.7
C161	4030007100	S.CER C1608 CH 1H 560J-T	B	105.4/21.7
C162	4030017460	S.CER ECJ0EB1E102K	B	104.5/24
C163	4030009910	S.CER C1608 CH 1H 040B-T	B	105.4/16.9
C164	4030006980	S.CER C1608 CH 1H 070D-T	B	102.3/19.8
C165	4030016790	S.CER ECJ0EB1C103K	B	97.2/20.9
C166	4030017420	S.CER ECJ0EC1H470J	B	97.5/22.4
C167	4030016790	S.CER ECJ0EB1C103K	B	98.5/23.3
C168	4030006990	S.CER C1608 CH 1H 080D-T	[GEN], [EUR], [UK] [USA]	B 110.6/15.7
	4030011770	S.CER C1608 CH 1H 060B-T	[GEN], [EUR], [UK] [USA]	B 110.6/15.7
C171	4030017480	S.CER C1608 JB 1A 474K-T	B	100.4/19.7
C172	4030017460	S.CER ECJ0EB1E102K	B	94.7/16.1
C173	4030017420	S.CER ECJ0EC1H470J	B	94.7/17.1
C181	4030017460	S.CER ECJ0EB1E102K	B	93.9/19.8
C182	4030007120	S.CER C1608 CH 1H 820J-T	B	92.1/21.5
C183	4030017460	S.CER ECJ0EB1E102K	B	92.1/23.7
C184	4030009550	S.CER C1608 CH 1H 2R5B-T	B	92.4/16.2
C185	4030009510	S.CER C1608 CH 1H 010B-T	B	92.6/18.6
C186	4030007070	S.CER C1608 CH 1H 330J-T	B	89.2/21.5
C187	4030017460	S.CER ECJ0EB1E102K	B	89.5/23.7
C188	4030011770	S.CER C1608 CH 1H 060B-T	B	89.6/16.2
C189	4030009920	S.CER C1608 CH 1H 050B-T	B	89.7/19.6
C191	4030017460	S.CER ECJ0EB1E102K	B	87.2/21.4
C192	4030017420	S.CER ECJ0EC1H470J	B	87.2/22.4
C193	4030007100	S.CER C1608 CH 1H 560J-T	B	83.2/19
C194	4030016970	S.CER ECJ0EB1C223K	B	82.3/15.5
C195	4030017460	S.CER ECJ0EB1E102K	B	82.8/16.8
C201	4030017460	S.CER ECJ0EB1E102K	T	82.5/23.8
C202	4030007060	S.CER C1608 CH 1H 270J-T	T	85.3/22.5
C203	4030006990	S.CER C1608 CH 1H 080D-T	T	84.7/19.2
C210	4550006300	S.TAN ECST1AY475R	T	87.2/29.5
C211	4030017460	S.CER ECJ0EB1E102K	B	88.1/27.6
C213	4030007000	S.CER C1608 CH 1H 090D-T	[USA]	B 92.8/34.6
	4030011770	S.CER C1608 CH 1H 060B-T	[GEN], [EUR], [UK] [USA]	B 92.8/34.6
C215	4030017460	S.CER ECJ0EB1E102K	T	82.7/38.2
C216	4030016790	S.CER ECJ0EB1C103K	T	87.3/38.5
C217	4030007130	S.CER C1608 CH 1H 101J-T	T	80.3/38.5
C221	4030007010	S.CER C1608 CH 1H 100D-T	B	60.1/28.1
C222	4030016790	S.CER ECJ0EB1C103K	B	61.3/29.8
C223	4030007040	S.CER C1608 CH 1H 180J-T	B	67/30.4
C224	4030009520	S.CER C1608 CH 1H 020B-T	B	67/28.1
C225	4030007050	S.CER C1608 CH 1H 220J-T	B	68.3/30.4
C226	4030006980	S.CER C1608 CH 1H 070D-T	B	70.9/28.9

M.=Mounted side (T: Mounted on the Top side, B: Mounted on the Bottom side)

[MAIN UNIT]

REF NO.	ORDER NO.	DESCRIPTION	M.	H/V LOCATION
C231	4030017460	S.CER ECJ0EB1E102K	B	82.8/38.2
C232	4030007130	S.CER C1608 CH 1H 101J-T	T	75.7/34.7
C233	4030016930	S.CER ECJ0EB1A104K	T	73.3/35
C234	4030016930	S.CER ECJ0EB1A104K	T	68/38.2
C235	4030016930	S.CER ECJ0EB1A104K	T	74.9/31.8
C236	4030016790	S.CER ECJ0EB1C103K	T	77.5/36.7
C237	4030017720	S.CER ECJ0EB1H331K	B	82.2/34.7
C238	4030017720	S.CER ECJ0EB1H331K	B	82.2/33.7
C239	4550006300	S.TAN ECST1AY475R	B	84.5/36.8
C240	4030017460	S.CER ECJ0EB1E102K	B	81.5/36.7
C241	4030016930	S.CER ECJ0EB1A104K	B	81.5/35.7
C242	4030017460	S.CER ECJ0EB1E102K	B	72.6/31.3
C243	4030017460	S.CER ECJ0EB1E102K	B	74.6/31.3
C244	4030017460	S.CER ECJ0EB1E102K	B	75/33.2
C245	4030017460	S.CER ECJ0EB1E102K	T	80.6/36
C246	4030017730	S.CER ECJ0EB1E471K	T	86.9/32.2
C247	4030017460	S.CER ECJ0EB1E102K	B	71.9/36.7
C251	4030016790	S.CER ECJ0EB1C103K	B	56.8/18.3
C252	4030016790	S.CER ECJ0EB1C103K	B	57.3/29.6
C253	4030016790	S.CER ECJ0EB1C103K	B	58.8/18.5
C261	4030016780	S.CER ECJ0EB1C153K	B	62.8/38.4
C262	4030017040	S.CER ECJ0EB1A333K	B	61.8/37.8
C263	4030016950	S.CER ECJ0EB1A473K	B	62.5/40.5
C265	4030017460	S.CER ECJ0EB1E102K	B	54.2/38.3
C266	4030017700	S.CER ECJ0EC1H151J	B	58.4/44.9
C267	4030017780	S.CER ECJ0EB1E472K	B	62.4/43.1
C268	4030016950	S.CER ECJ0EB1A473K	B	64.9/44.3
C269	4030016790	S.CER ECJ0EB1C103K	T	56.9/43.1
C270	4030017920	S.CER ECJ0EB1A683K	[EUR], [UK] [USA], [GEN]	B 66.2/43.4
	4030018860	S.CER ECJ0EB0J105K	[EUR], [UK] [USA], [GEN]	B 66.2/43.4
C272	4030017480	S.CER C1608 JB 1A 474K-T	T	62.7/35.6
C281	4030016790	S.CER ECJ0EB1C103K	T	57.9/44.3
C282	4030017460	S.CER ECJ0EB1E102K	B	112.4/31.3
C291	4030016790	S.CER ECJ0EB1C103K	T	63.4/30.7
C292	4030017790	S.CER ECJ0EB1E682K	T	63/33.3
C293	4030017040	S.CER ECJ0EB1A333K	T	62/30.1
C294	4030018080	S.CER ECJ0EB1H182K	T	63.4/31.8
C301	4030016970	S.CER ECJ0EB1C223K	T	57.1/28
C302	4030017760	S.CER ECJ0EB1H222K	T	56.1/28
C322	4030016790	S.CER ECJ0EB1C103K	T	92.1/20.9
C323	4030016790	S.CER ECJ0EB1C103K	T	94.9/20.9
C324	4030016790	S.CER ECJ0EB1C103K	T	95.4/26.9
C325	4550006710	S.TAN ECST1AX226R	B	102.9/31
C326	4550006300	S.TAN ECST1AY475R	T	112.8/25.1
C341	4030016790	S.CER ECJ0EB1C103K	B	36.3/11.5
C381	4030018860	S.CER ECJ0EB0J105K	B	30.2/40.7
C382	4030018860	S.CER ECJ0EB0J105K	B	27.7/32.2
C383	4030018860	S.CER ECJ0EB0J105K	B	26.6/31.2
C384	4030016930	S.CER ECJ0EB1A104K	B	36.6/33.4
C385	4030016930	S.CER ECJ0EB1A104K	B	29.5/30.5
C386	4030018860	S.CER ECJ0EB0J105K	B	30.6/36
C387	4030018860	S.CER ECJ0EB0J105K	B	35.7/38.7
C388	4030016790	S.CER ECJ0EB1C103K	B	30.6/32
C389	4030016790	S.CER ECJ0EB1C103K	B	36/36.7
C391	4030016930	S.CER ECJ0EB1A104K	B	7.9/41.6
C392	4030017650	S.CER ECJ0EC1H270J	B	17.1/41.9
C393	4030017650	S.CER ECJ0EC1H270J	B	17.1/34.3
C394	4030017690	S.CER ECJ0EC1H121J	B	10.4/34.9
C395	4030016930	S.CER ECJ0EB1A104K	B	7.9/42.6
C396	4030018860	S.CER ECJ0EB0J105K	B	28.7/33.3
C397	4030018860	S.CER ECJ0EB0J105K	B	31.1/39.7
C398	4030017630	S.CER ECJ0EC1H120J	B	7.3/38.4
C411	4030017480	S.CER C1608 JB 1A 474K-T	T	99.1/30.2
C412	4550006430	S.TAN ECST1YV474R	T	92.7/30.8
C413	4030016930	S.CER ECJ0EB1A104K	T	100.6/31.4
C421	4550006210	S.TAN ECST1CX106R	B	106.5/39.7
C422	4030016930	S.CER ECJ0EB1A104K	T	103.8/29.3
C423	4030017460	S.CER ECJ0EB1E102K	T	104.8/29.3
C424	4550006700	S.TAN ECST1AY106R	T	109.1/35
C425	4030017420	S.CER ECJ0EC1H470J	T	104.9/31.4
C426	4030016950	S.CER ECJ0EB1A473K	B	104.4/40.6
C427	4550007050	S.TAN ECST1AD157R	B	108.3/30.8
C431	4030018860	S.CER ECJ0EB0J105K	T	108.6/27.1
C432	4030016930	S.CER ECJ0EB1A104K	T	107.1/32.1
C441	4030017420	S.CER ECJ0EC1H470J	T	104/40.2
C461	4030017460	S.CER ECJ0EB1E102K	B	94.3/47.5
C462	4030016930	S.CER ECJ0EB1A104K	B	48.3/42.8
C463	4030016790	S.CER ECJ0EB1C103K	B	49.2/43.8
C464	4030018860	S.CER ECJ0EB0J105K	B	44/45.5
C465	4030018860	S.CER ECJ0EB0J105K	B	43.2/40.7
C466	4030016930	S.CER ECJ0EB1A104K	B	89.5/40.4
C467	4550006700	S.TAN ECST1AY106R	B	96.8/42.4
C472	4550006700	S.TAN ECST1AY106R	B	59.7/32.2
C473	4030016790	S.CER ECJ0EB1C103K	B	52.6/44.4
C481	4030016790	S.CER ECJ0EB1C103K	B	46.8/39.8
C491	4030016790	S.CER ECJ0EB1C103K	B	39.1/29.3
C492	4030018860	S.CER ECJ0EB0J105K	B	37.4/24.8
C502	4030017700	S.CER ECJ0EC1H151J	B	40.7/28.3
C503	4030017780	S.CER ECJ0EB1E472K	B	39.1/27.1
C504	4030017910	S.CER ECJ0EB1H152K	B	36.6/27
C511	4030017770	S.CER ECJ0EB1E332K	B	33/24.6
C512	4030016930	S.CER ECJ0EB1A104K	B	33/27
C521	4030016930	S.CER ECJ0EB1A104K	B	47.2/30

S.=Surface mount

[MAIN UNIT]

REF NO.	ORDER NO.	DESCRIPTION	M.	H/V LOCATION
C522	4030016970	S.CER ECJ0EB1C223K	B	48.2/30
C531	4030016950	S.CER ECJ0EB1A473K	B	35.2/15.5
C532	4030016940	S.CER ECJ0EB1A393K	B	37.8/18.6
C533	4030016930	S.CER ECJ0EB1A104K	B	37.3/20.9
C534	4030017740	S.CER ECJ0EB1E821K	B	39.4/23.7
C535	4030016790	S.CER ECJ0EB1C103K	B	35/21.5
C536	4030016950	S.CER ECJ0EB1A473K	B	38.6/20
C552	4030017460	S.CER ECJ0EB1E102K	T	109.2/37.1
C553	4550006820	S.TAN ECST1DX106R	B	118.9/22.5
C554	4030016790	S.CER ECJ0EB1C103K	T	92.2/34.5
C555	4030011810	S.CER C1608 JB 1A 224K-T	B	100.5/31.6
C556	4030017460	S.CER ECJ0EB1E102K	T	97.3/33.4
C557	4550006710	S.TAN ECST1AX226R	B	98.1/31
C561	4030016790	S.CER ECJ0EB1C103K	T	98.7/21.2
C571	4030016790	S.CER ECJ0EB1C103K	B	105.1/26.7
C581	4030017030	S.CER ECJ0EB1A273K	B	5.6/15.1
C591	4030016790	S.CER ECJ0EB1C103K	B	7.9/8.1
C601	4030017400	S.CER ECJ0EC1H220J	T	6.1/15.9
C602	4030017590	S.CER ECJ0EC1H070C	T	6.1/20.8
C603	4030017660	S.CER ECJ0EC1H330J	T	7.1/18.9
C604	4030016790	S.CER ECJ0EB1C103K	T	6.1/12.3
C605	4030017420	S.CER ECJ0EC1H470J	T	5.8/10.8
C606	4030016790	S.CER ECJ0EB1C103K	T	5.8/9.8
C611	4030017460	S.CER ECJ0EB1E102K	T	55.5/44.8
C612	4030016970	S.CER ECJ0EB1C223K	T	54.2/41.1
C641	4550006710	S.TAN ECST1AX226R	T	4/27.5
C642	4030016790	S.CER ECJ0EB1C103K	B	34.6/19.9
C643	4030016790	S.CER ECJ0EB1C103K	B	28.2/9.1
C661	4030016950	S.CER ECJ0EB1A473K	B	7.7/14.6
C662	4030017460	S.CER ECJ0EB1E102K	B	113.8/30.3
C664	4030016950	S.CER ECJ0EB1A473K	B	5.8/17.6
C665	4030016950	S.CER ECJ0EB1A473K	B	6.8/19.2
C666	4030017040	S.CER ECJ0EB1A333K	B	5.7/19.2
C667	4030016950	S.CER ECJ0EB1A473K	B	5.2/20.5
C668	4030016950	S.CER ECJ0EB1A473K	B	5.2/21.5
C669	4030016950	S.CER ECJ0EB1A473K	B	5.6/23
C670	4030016950	S.CER ECJ0EB1A473K	B	6.6/23
C671	4030016930	S.CER ECJ0EB1A104K	B	10/23.6
C681	4030016930	S.CER ECJ0EB1A104K	B	7.4/31.3
C682	4030017480	S.CER C1608 JB 1A 474K-T	B	8.3/24.6
C683	4030017480	S.CER C1608 JB 1A 474K-T	B	6.3/25.3
C684	4030017480	S.CER C1608 JB 1A 474K-T	B	14.6/29.7
C685	4030017480	S.CER C1608 JB 1A 474K-T	B	10.6/25.1
C686	4030017420	S.CER ECJ0EC1H470J	B	6.4/31.3
C687	4030017420	S.CER ECJ0EC1H470J	B	9.7/30.9
C688	4030016930	S.CER ECJ0EB1A104K	B	89.9/47.7
C689	4030017460	S.CER ECJ0EB1E102K	B	45.2/40.7
C690	4030016960	S.CER ECJ0EB1C183K	B	40/43
C691	4030016960	S.CER ECJ0EB1C183K	B	39.8/44.3
C692	4030017730	S.CER ECJ0EB1E471K	B	39.3/45.6
C693	4030017460	S.CER ECJ0EB1E102K	B	32.1/42.3
C695	4030018860	S.CER ECJ0EB0J105K	B	48.8/39.5
C696	4030016930	S.CER ECJ0EB1A104K	B	48.5/41.8
C697	4030016930	S.CER ECJ0EB1A104K	B	36/45.5
C698	4030017460	S.CER ECJ0EB1E102K	B	113.8/31.3
C699	4030017460	S.CER ECJ0EB1E102K	B	90.9/48
C700	4030018860	S.CER ECJ0EB0J105K	B	92.9/48
J352	6910016370	CNR IMSA-9230B-1-06Z032-PT1		
J412	6510021900	S.CNR BM02B-ASRS-TF	T	107.3/40.1
J414	6510024530	S.CNR 14FH-SM1-TB	T	118.8/28.5
DS653	5040002310	S.LED SML-311YTT86	T	31.8/40.6
DS654	5040002310	S.LED SML-311YTT86	T	15.3/40.6
DS656	5040002310	S.LED SML-311YTT86	T	32.3/9.4
DS657	5040002310	S.LED SML-311YTT86	T	15.8/9.4
DS658	5040002310	S.LED SML-311YTT86	T	32.3/24.9
DS659	5040002310	S.LED SML-311YTT86	T	15.8/24.9
DS681	5030002790	LCD A0286 LCD39		
MC461	7700002480	MIC SKB-2746 LPC		
S100	2260002850	S.SW EVQP2T02M	T	18.3/40.6
S101	2260002850	S.SW EVQP2T02M	T	34.8/40.6
S102	2260002850	S.SW EVQP2T02M	T	35.3/24.9
S103	2260002850	S.SW EVQP2T02M	T	18.8/24.9
S104	2260002850	S.SW EVQP2T02M	T	35.3/9.4
S105	2260002850	S.SW EVQP2T02M	T	18.8/9.4
S461	2260002840	SW SKHLLFA010		
S641	2260002800	S.SW SW-167 (SKQTLAE010)	B	80.4/49
EP2	6910015370	S.BEA ACZ1005Y-102-T	B	41.2/7.9
EP3	6910015370	S.BEA ACZ1005Y-102-T	B	41.5/10.3
EP4	6910015370	S.BEA ACZ1005Y-102-T	B	43.5/10.3
EP101	6910013370	S.BEA BLM18BB221SN1D	T	91.7/16.5
EP111	6910014690	S.BEA MPZ1608S221A-T	T	107/18
EP681	8930064210	LCT SRCN-2795-SP-N-W		
EP682	6910016340	E.OTH CV1083 FX2795		

M.=Mounted side (T: Mounted on the Top side, B: Mounted on the Bottom side)

[VR UNIT]

REF NO.	ORDER NO.	DESCRIPTION	M.	H/V LOCATION
R801	7210002530	VAR TP96N937N-15F-10KA-1540		
F1	5210000900	S.FUS 0434003.NRP	B	12.2/4.4

[MIC UNIT]

REF NO.	ORDER NO.	DESCRIPTION	M.	H/V LOCATION
Q655	1590001770	S.TR XP1213 (TX)	B	3.6/2.1
R713	7030005010	S.RES ERJ2GEJ 681 X (680 Ω)	B	6.1/1.8
R714	7030005120	S.RES ERJ2GEJ 102 X (1 kΩ)	B	5.9/2.8
C700	4030017420	S.CER ECJ0EC1H470J	B	11.4/5.1
C702	4030017420	S.CER ECJ0EC1H470J	B	3.8/5
C703	4030017620	S.CER ECJ0EC1H100C	B	4.5/7.8
J415	6510022020	S.CNR 14FLT-SM1-TB	B	6.6/13
J416	6510024650	CNR 246S-550-4P-134 (ORANGE)		
DS655	5040003090	S.LED FRDG1211F-TR	B	10/1.8
W470	8900013540	CBL OPC-1410 (N=14,L=50)		
EP451	6910012350	S.BEA MMZ1608Y 102BT	B	9.6/5.1
EP452	6910012350	S.BEA MMZ1608Y 102BT	B	12.6/10.7
EP454	6910012350	S.BEA MMZ1608Y 102BT	B	3.4/8.9
EP458	6910012350	S.BEA MMZ1608Y 102BT	B	3.7/6.4

[CHASSIS UNIT]

REF NO.	ORDER NO.	DESCRIPTION	M.	H/V LOCATION
J41	6910016650	CNR 2795 ANT CONNECTOR		
SP1	2510001092	SP 036D0801B <FG>		
W3	8900010960	CBL OPC-1129		

• BC-158

[CHARGE UNIT]

REF NO.	ORDER NO.	DESCRIPTION	M.	H/V LOCATION
R1	7070001130	RES ERG2SJ 121 X (120 Ω)		
R2	7070001140	RES ERG2SJ 151 X (150 Ω)		
R3	7010007100	RES PSD1/4 V 102 (150 Ω)		
J1	6510024940	CNR HEC2305-016250		
DS1	5040003020	LED SEL2410G		

S.=Surface mount

SECTION 7 MECHANICAL PARTS AND DISASSEMBLY

7-1 CABINET PARTS

[MAIN UNIT]

REF.	ORDER. NO.	DESCRIPTION	QTY.
DS681	5030002790	LCD A0286	1
EP681	8930064210	LCD contact SRCN-2795-SP-N-W	1
MP681	8930063850	2795 LCD holder	1

[CHASSIS PARTS]

REF.	ORDER. NO.	DESCRIPTION	QTY.
J41	6910016650	2600 ANT connector	1
SP1	2510001092	Speaker 036D0801B	1
W3	8900010960	Cable OPC-1129	1
MP1	8210021100	2795 Front panel (A)	[USA] 1
	8210021170	2795 Front panel (C)	[Others] 1
MP8	8210020870	2795 SP panel	1
MP10	8930063640	2795 SP rubber	1
MP18	8930063600	2795 MIC cap	1
MP20	8210021090	2795 rear panel	1
MP21	8610011151	2497 BATT lock-1	1
MP22	8930065070	2795 lock plate	1
MP23	8930063630	2795 terminal holder	1
MP24	8930063840	2795 A-terminal	1
MP25	8930063830	2795 B-terminal	1
MP26	8930063820	2795 C-terminal	1
MP31	8830001140	VR nut (J)	1
MP32	8930052280	O ring (AC)	1
MP33	8610012110	Knob N-321 (A)	1
MP35	8830001480	VR nut (O)	1
MP41	8010019740	2795 chassis	1
MP46	8930064200	2795 main seal	1
MP47	8810009510	Screw B0 2X4 NI-ZU (BT)	9
MP51	8830001600	Screw nut (L)	1
MP52	8930065190	O ring (BB)	1
MP66	8930059800	2600 pet sheet	1
MP69	8820001330	Screw M3X3 BS NI	2
MP70	8810010150	Screw B0 2X10 SUS ZK	2
MP71	8820001320	2795 screw	4
MP73	8930063690	O ring (BA)	4
MP74	8810009560	Screw B0 2X6 ZK (BT)	3
MP75	8810009560	Screw B0 2X6 ZK (BT)	1
MP76	8810010150	Screw B0 2X10 SUS ZK	2
MP77	8510016610	2795 shield plate	1
MP80	8930064360	2795 antenna rubber	1

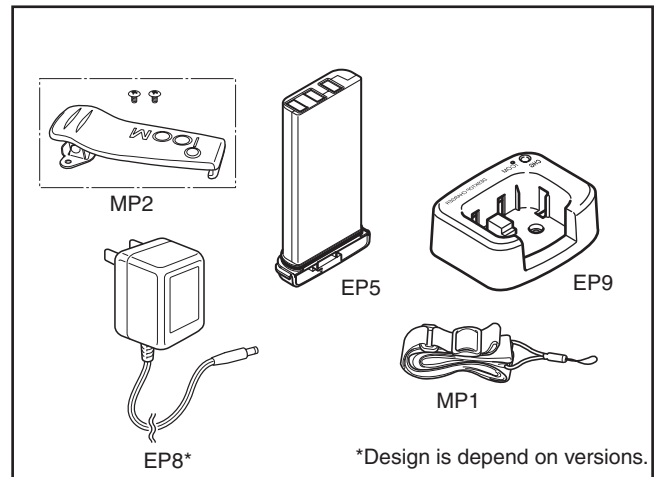
Screw abbreviations B0, BT: Self-tapping
 ZK: Black
 SUS: Stainless
 NI-ZU: Nickel-zinc

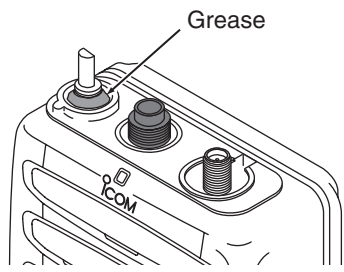
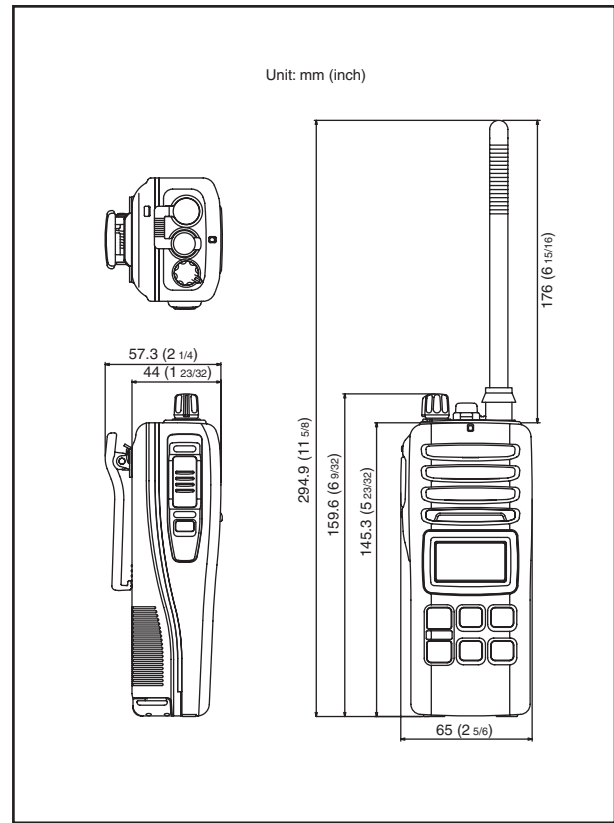
[MIC BOARD]

REF.	ORDER. NO.	DESCRIPTION	QTY.
J416	6510024650	246S-550-4P-134 connector	1

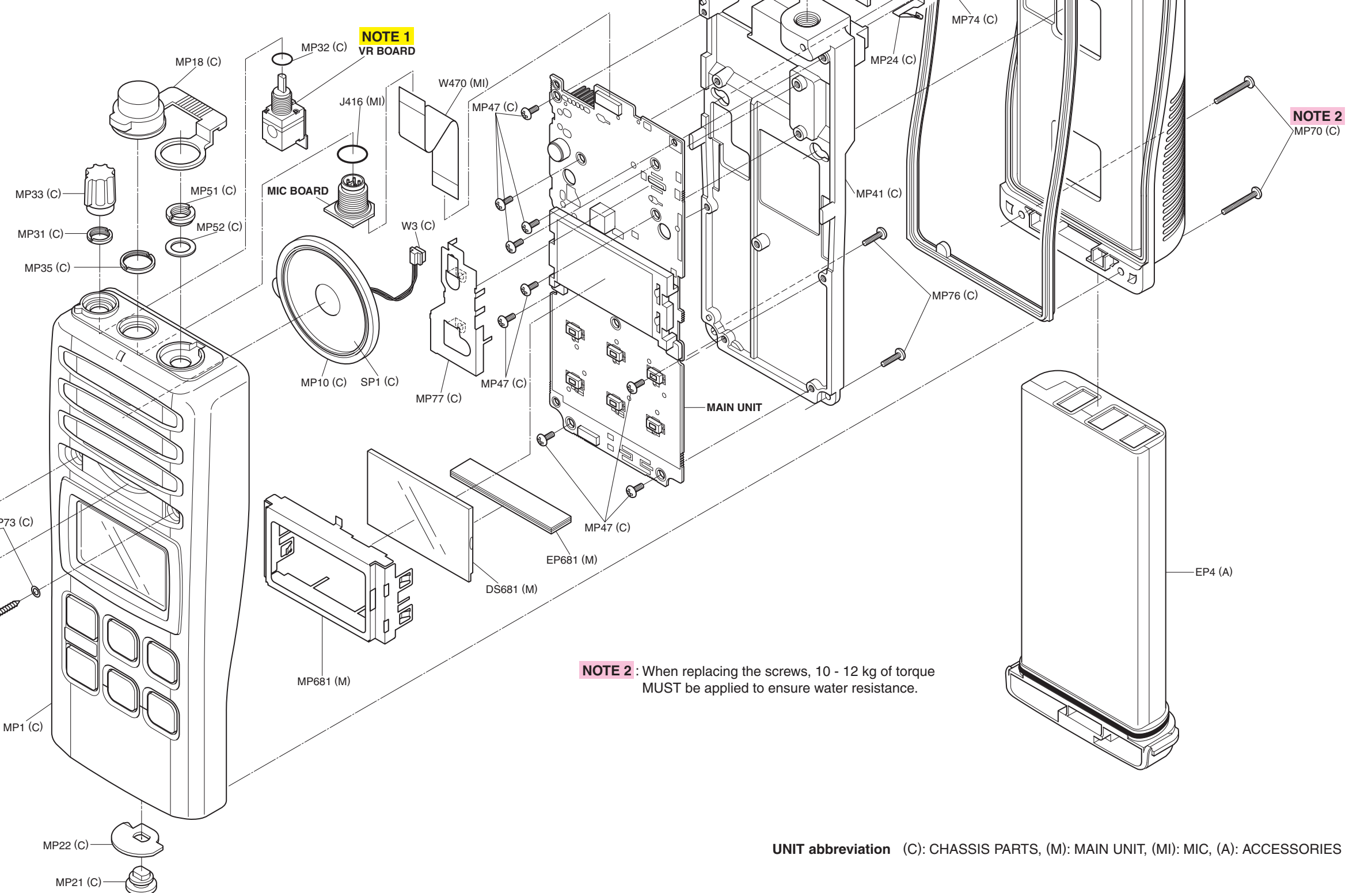
[ACCESSORIES]

REF.	ORDER. NO.	DESCRIPTION	QTY.
EP1	3310003330	FA-S61V	1
EP5	Optional product	BP-224	1
EP8	Optional product	BC-147A	[USA] 1
	Optional product	BC-147E	[GEN], [EUR] 1
EP9	Optional product	BC-158	Except [UK] 1
MP1	8930068180	IC-GM1600 NECK STRAP	1
MP2	Optional product	MB-103	1





NOTE 1 : Once the VR BOARD is removed from the front panel, grease must be applied to the area described as above when assembling.
 Manufacture : Shin-Etsu Chemical
 Type : G-501



NOTE 2 : When replacing the screws, 10 - 12 kg of torque MUST be applied to ensure water resistance.

UNIT abbreviation (C): CHASSIS PARTS, (M): MAIN UNIT, (MI): MIC, (A): ACCESSORIES

• BC-158 CHARGER PARTS LIST

MECHANICAL PARTS

[CHASSIS UNIT]

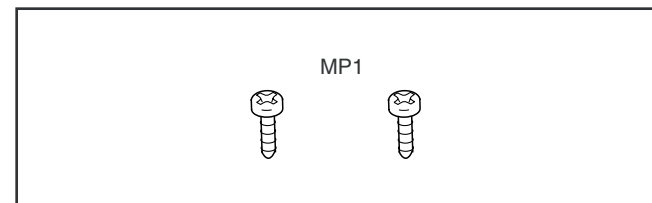
REF.	ORDER. NO.	DESCRIPTION	QTY.
MP1	8510016540	2810 case	1
MP2	8110007680	2523 cover	1
MP3	8810008660	Screw B0 3 x 8 NI-ZU (BT)	2
MP4	8930047830	Leg cushion (C)	2

[CHARGE UNIT]

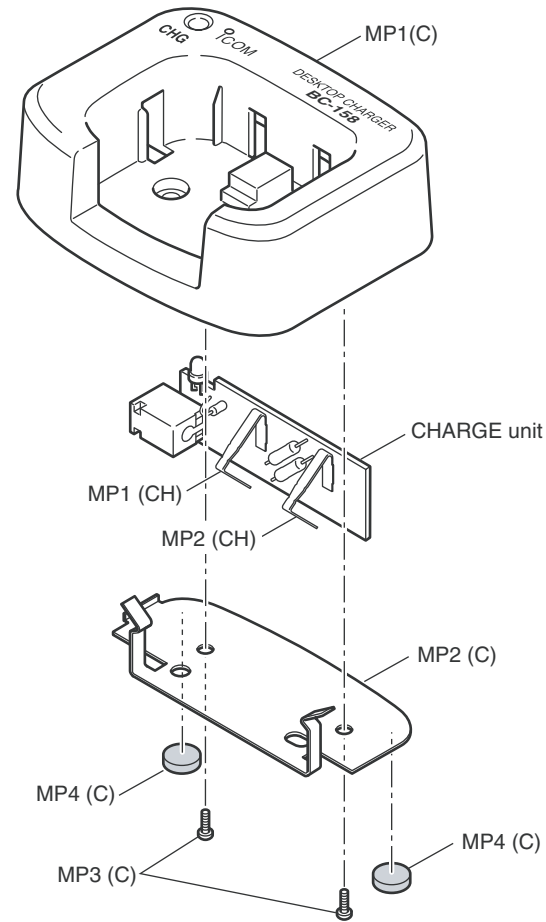
REF.	ORDER. NO.	DESCRIPTION	QTY.
MP1	8930057120	2523 Terminal	1
MP2	8930057120	2523 Terminal	1

[ACCESSORIES]

REF.	ORDER. NO.	DESCRIPTION	QTY.
MP1	8810001460	Screw A0 3.5 x 20 SUS	2

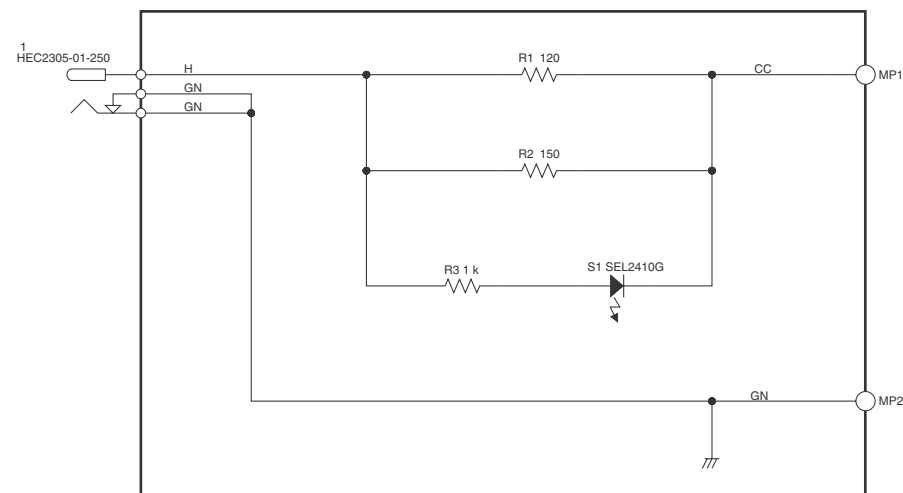


Screw abbreviations A0, B0, BT: Self-tapping
NI-ZU: Nickel-zinc
SUS: Stainless



NOTE: (C) : CHASSIS
(CH) : CHARGE UNIT

• CIRCUIT DIAGRAM



SECTION 8 SEMICONDUCTOR INFORMATION

• TRANSISTORS AND FET's

2SA1588 GR (Symbol: ZG) 	2SB1132 Q (Symbol: BAQ) 	2SC4116 BL (Symbol: LL) 	2SC4116 GR (Symbol: LG) 	2SC4213 B (Symbol: AB)
2SC4215 O (Symbol: QO) 	2SC4215 Y (Symbol: QY) 	2SC4226 R25 (Symbol: R25) 	2SC5107 O (Symbol: MFO) 	2SC5110 O (Symbol: MGO)
2SK880 Y (Symbol: XY) 	2SK1829 (Symbol: K1) 	3SK294 (Symbol: UV) 	3SK299 U73 (Symbol: U73) 	DTA144 TU (Symbol: 06)
RD01MUS1 (Symbol: K2) 	RD07MVS1 (Symbol: RD07MVS1) 	RSR025N03 (Symbol: QY) 	UMD6 (Symbol: D6) 	UNR9111J (Symbol: 6A)
UNR9113J (Symbol: 6C) 	UNR9213J (Symbol: 8C) 	XP1213 (Symbol: 9L) 	XP4313 (Symbol: 8S) 	XP4601 (Symbol: 5C)
XP1214 (Symbol: 9H) 	XP6501 AB (Symbol: 5N) 			

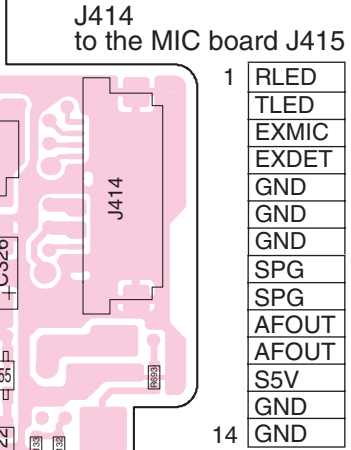
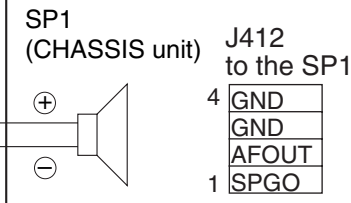
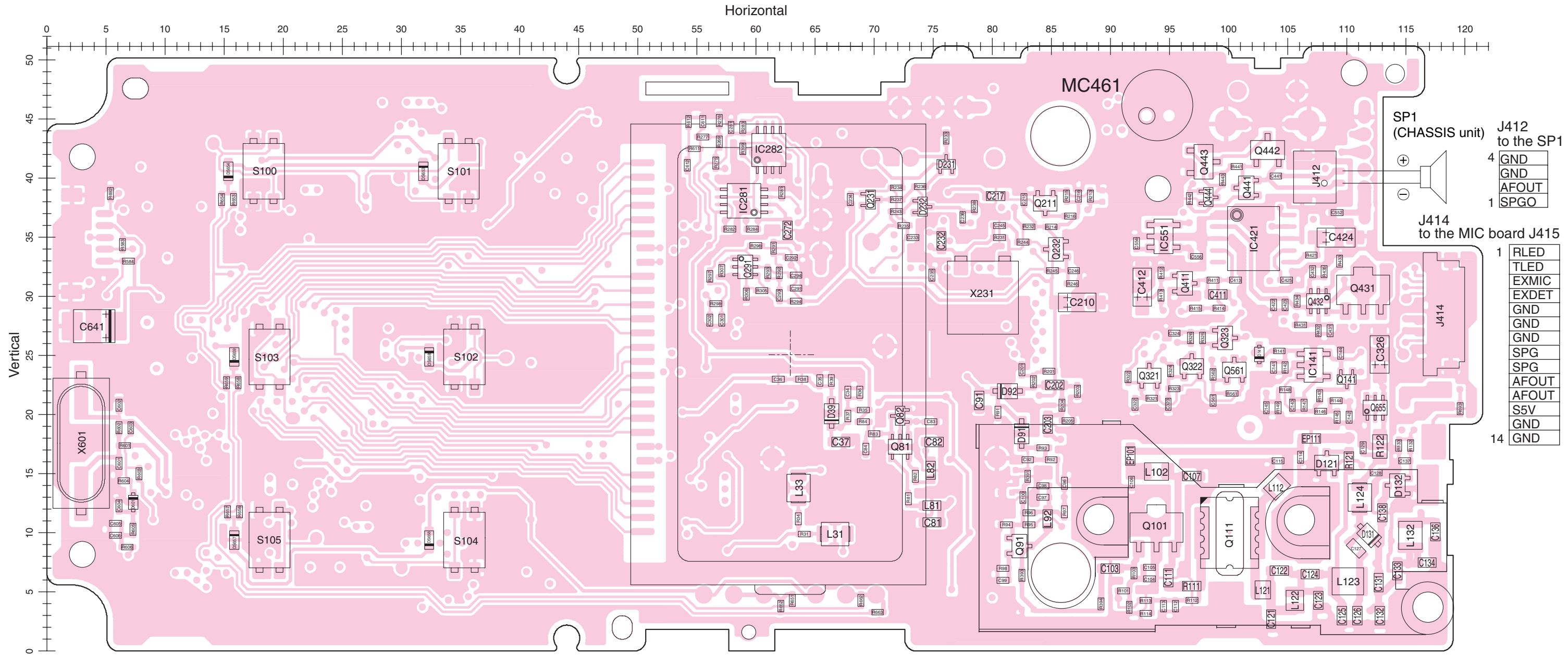
• DIODES

1SS375 (Symbol: FH) 	1SV245 (Symbol: T3) 	1SV307 (Symbol: TX) 	1SV308 (Symbol: TX) 	DA221 (Symbol: K)
DAN222 (Symbol: N) 	HVC350B (Symbol: B0) 	MA2S077 (Symbol: S) 	MA2S111 (Symbol: A) 	MA2S728 (Symbol: B)
MA77 (Symbol: 4B) 	RB706F-40 (Symbol: 3J) 	SB20-03P (Symbol: SC) 		

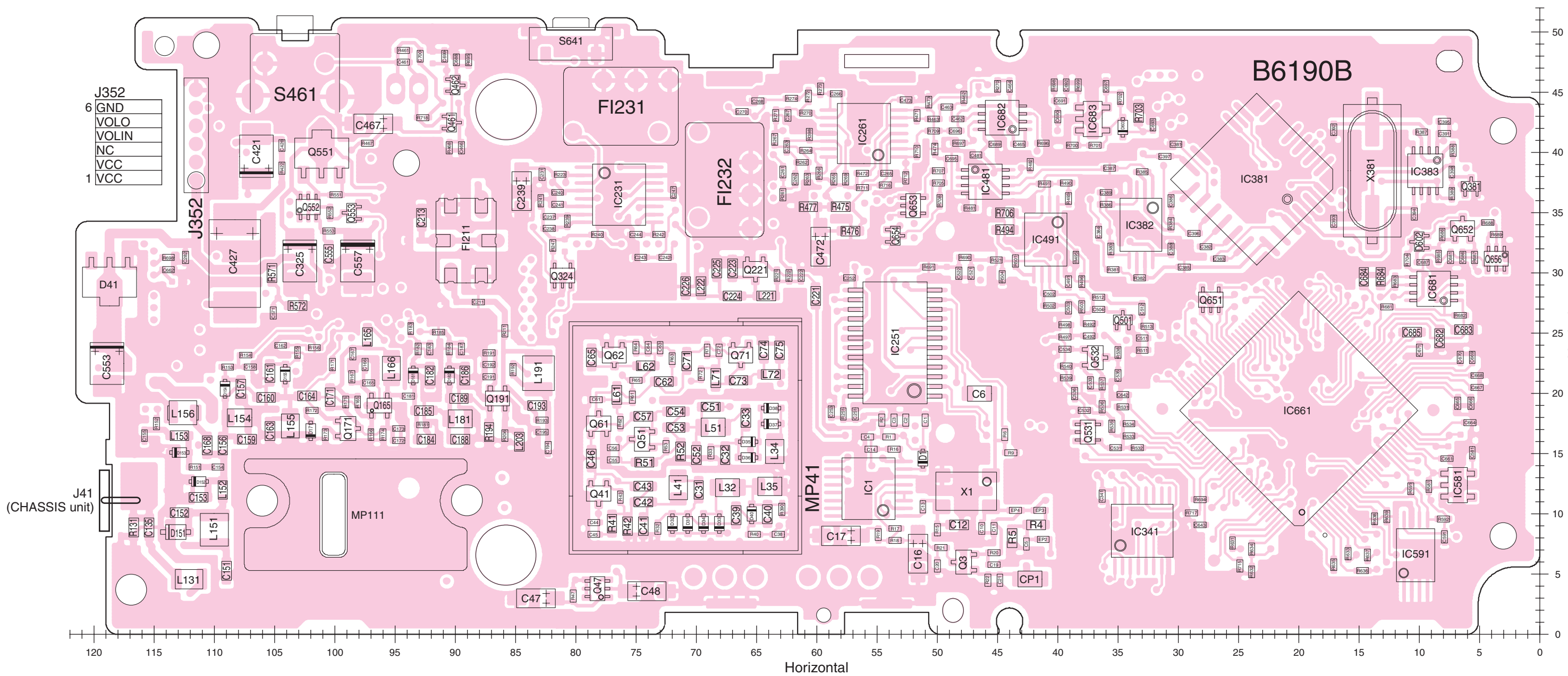
SECTION 9 BOARD LAYOUTS

9-1 MAIN UNIT

• TOP VIEW

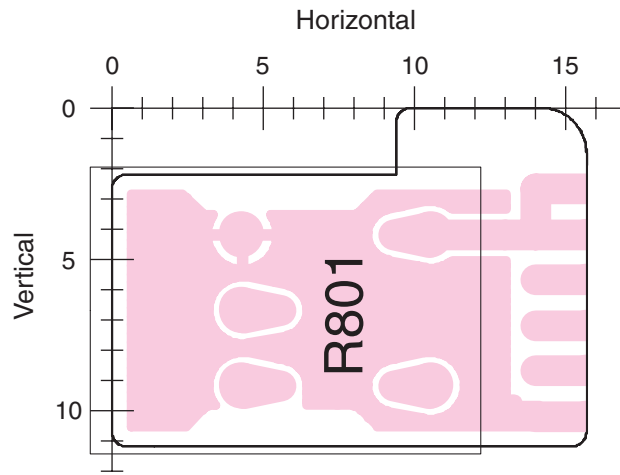


• BOTTOM VIEW



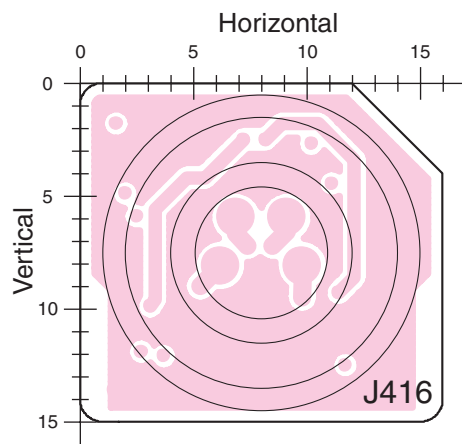
9-2 VR BOARD

- TOP VIEW



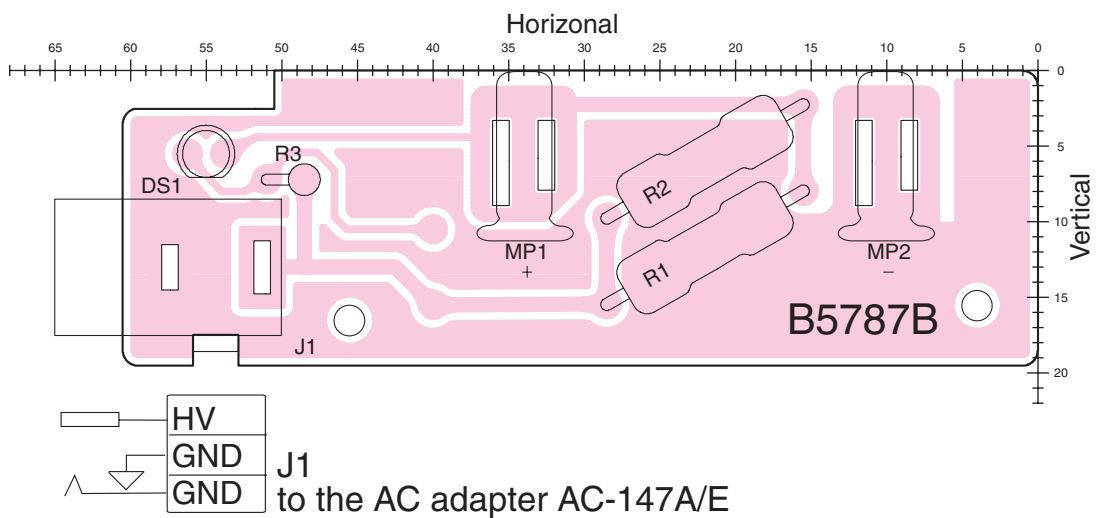
9-3 MIC BOARD

- TOP VIEW

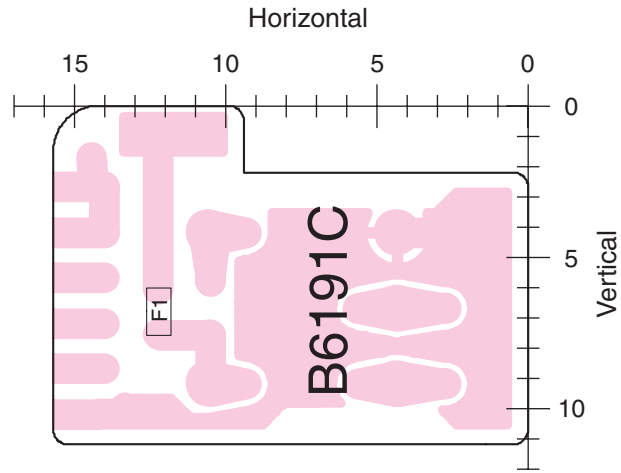


9-4 BC-158

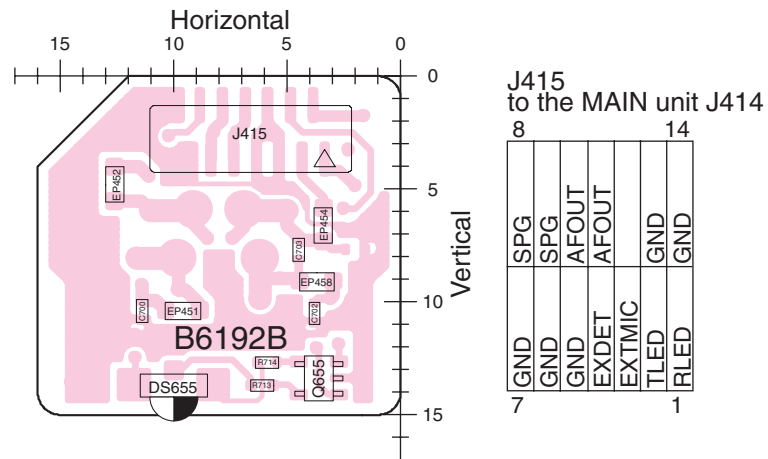
- TOP VIEW



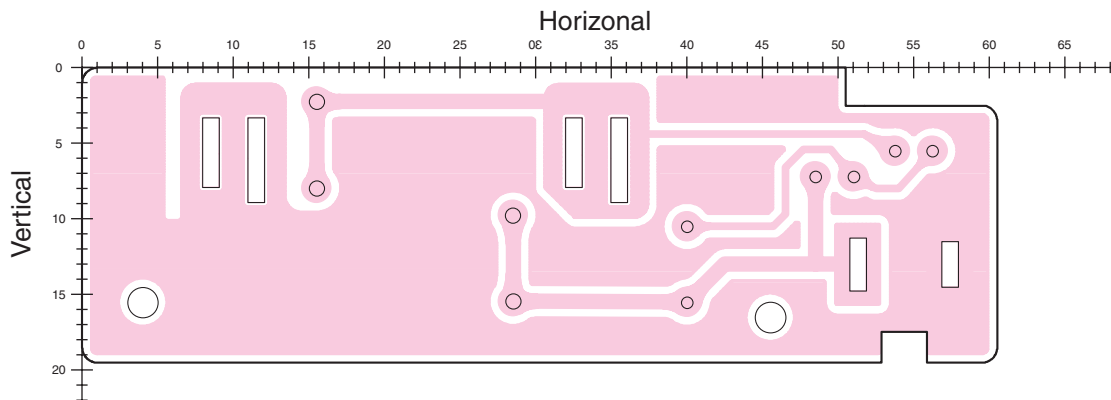
● BOTTOM VIEW



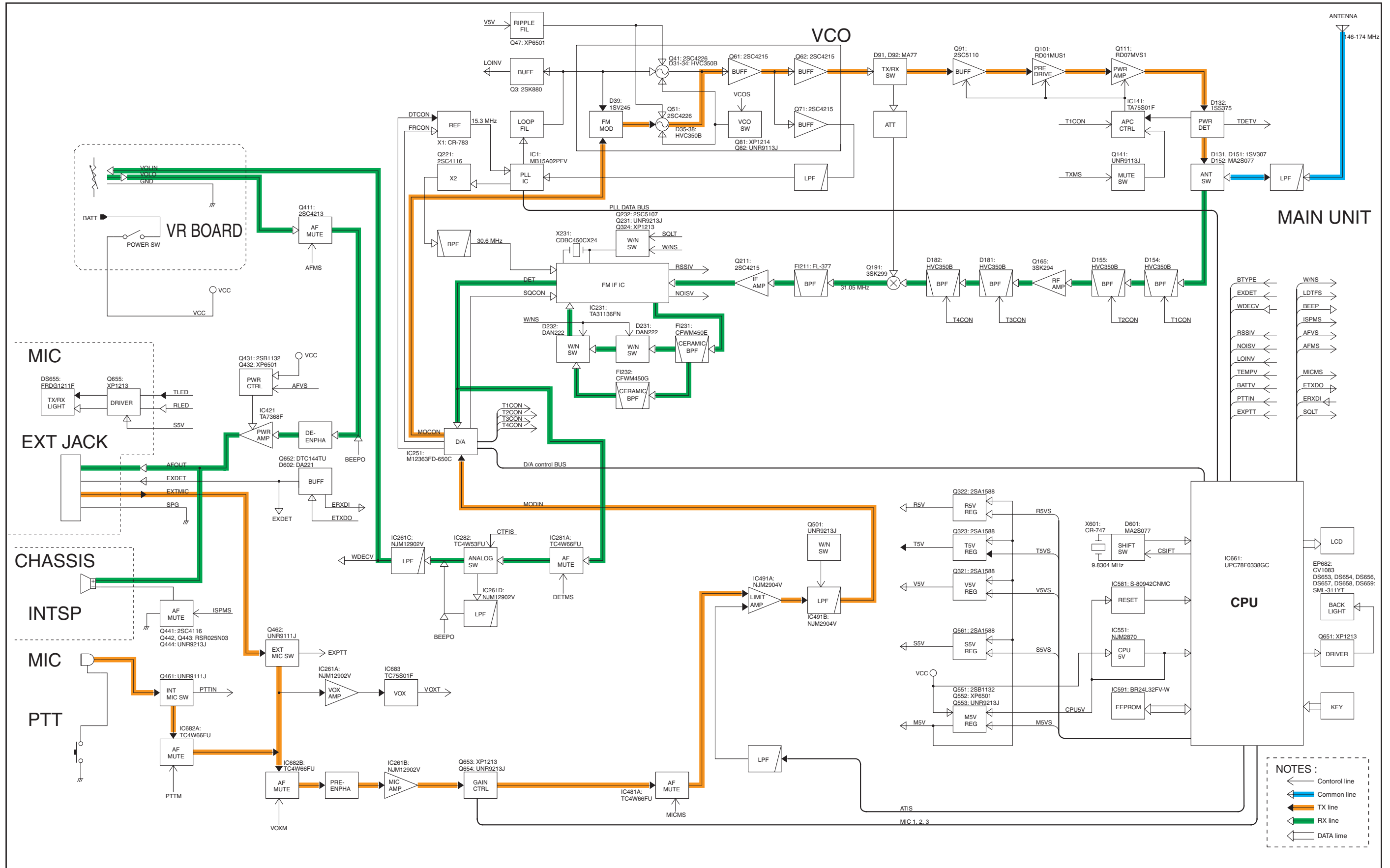
● BOTTOM VIEW



● BOTTOM VIEW

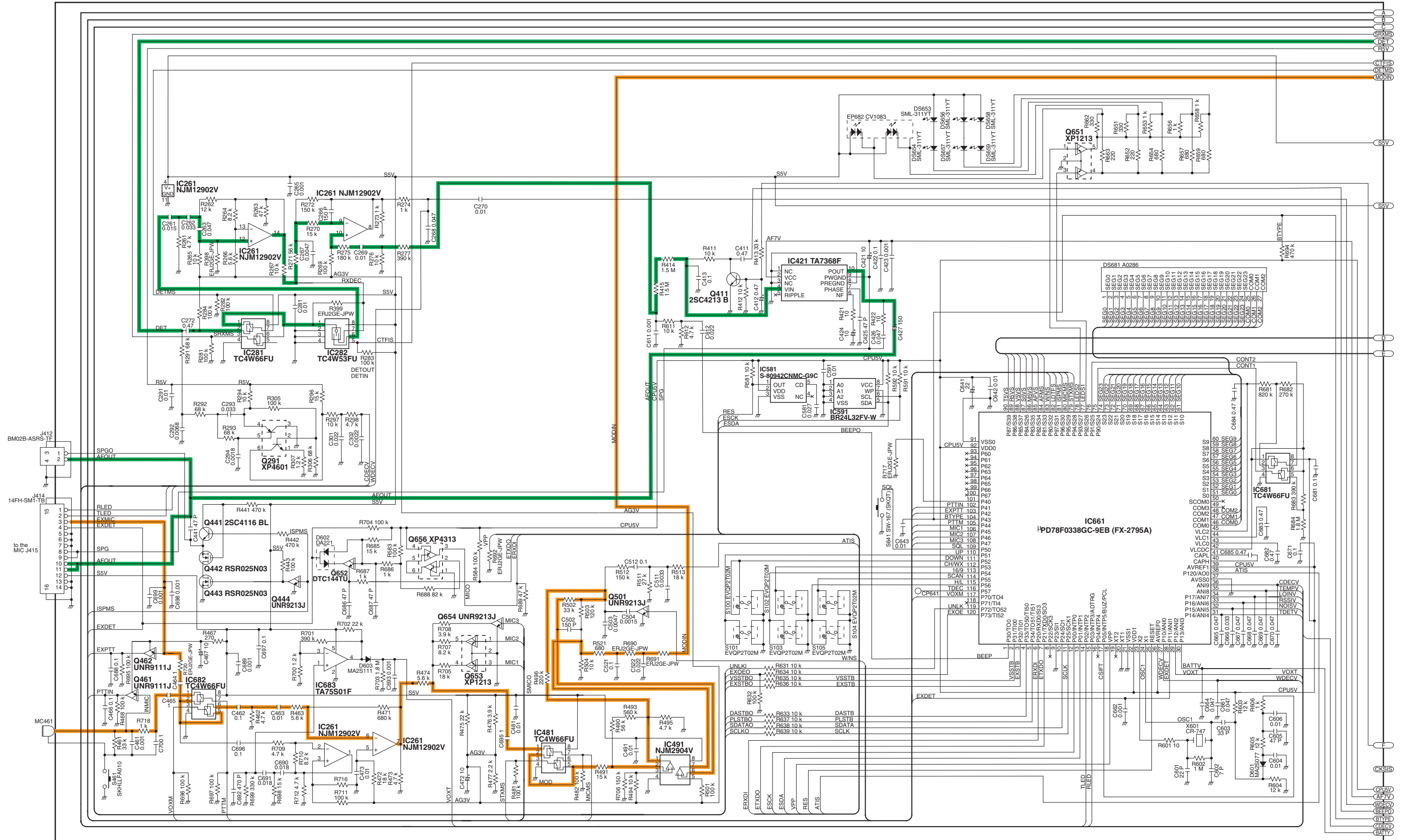


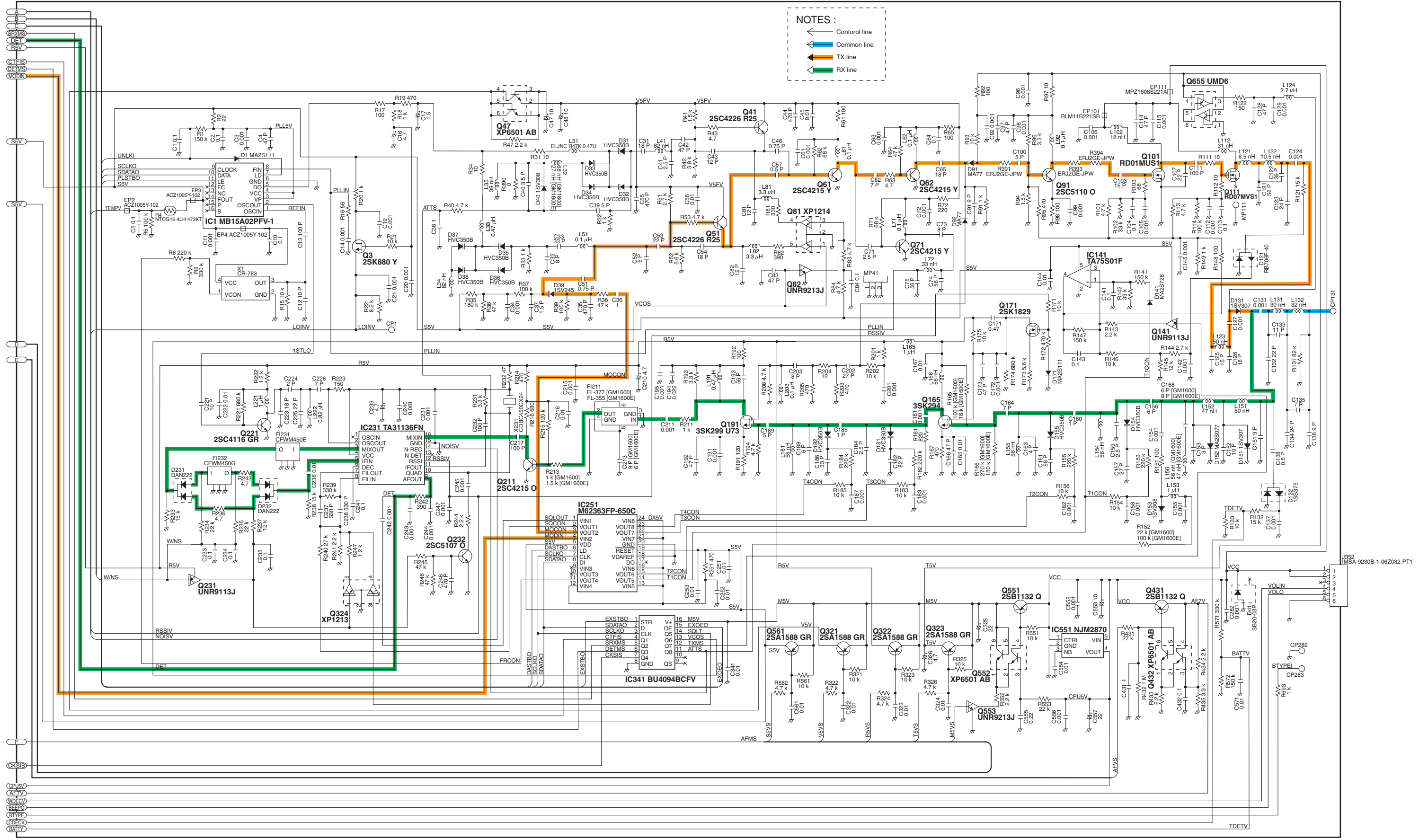
SECTION 10 BLOCK DIAGRAM



SECTION 11 VOLTAGE DIAGRAM

11-1 MAIN UNIT





NOTES :

- ← Contour line
- ← Common line
- ← TX line
- ← RX line

A
B
C
SRVMS
DET
R5V
C1FIS
C2FIS
C3FIS
SSV
SSV
SSV
D
E
F
G
H
I
J
K
L
M
N
O
P
Q
R
S
T
U
V
W
X
Y
Z
CP131
CP132
CP133
CP134
CP135
CP136
CP137
CP138
CP139
CP140
CP141
CP142
CP143
CP144
CP145
CP146
CP147
CP148
CP149
CP150
CP151
CP152
CP153
CP154
CP155
CP156
CP157
CP158
CP159
CP160
CP161
CP162
CP163
CP164
CP165
CP166
CP167
CP168
CP169
CP170
CP171
CP172
CP173
CP174
CP175
CP176
CP177
CP178
CP179
CP180
CP181
CP182
CP183
CP184
CP185
CP186
CP187
CP188
CP189
CP190
CP191
CP192
CP193
CP194
CP195
CP196
CP197
CP198
CP199
CP200
CP201
CP202
CP203
CP204
CP205
CP206
CP207
CP208
CP209
CP210
CP211
CP212
CP213
CP214
CP215
CP216
CP217
CP218
CP219
CP220
CP221
CP222
CP223
CP224
CP225
CP226
CP227
CP228
CP229
CP230
CP231
CP232
CP233
CP234
CP235
CP236
CP237
CP238
CP239
CP240
CP241
CP242
CP243
CP244
CP245
CP246
CP247
CP248
CP249
CP250
CP251
CP252
CP253
CP254
CP255
CP256
CP257
CP258
CP259
CP260
CP261
CP262
CP263
CP264
CP265
CP266
CP267
CP268
CP269
CP270
CP271
CP272
CP273
CP274
CP275
CP276
CP277
CP278
CP279
CP280
CP281
CP282
CP283
CP284
CP285
CP286
CP287
CP288
CP289
CP290
CP291
CP292
CP293
CP294
CP295
CP296
CP297
CP298
CP299
CP300
CP301
CP302
CP303
CP304
CP305
CP306
CP307
CP308
CP309
CP310
CP311
CP312
CP313
CP314
CP315
CP316
CP317
CP318
CP319
CP320
CP321
CP322
CP323
CP324
CP325
CP326
CP327
CP328
CP329
CP330
CP331
CP332
CP333
CP334
CP335
CP336
CP337
CP338
CP339
CP340
CP341
CP342
CP343
CP344
CP345
CP346
CP347
CP348
CP349
CP350
CP351
CP352
CP353
CP354
CP355
CP356
CP357
CP358
CP359
CP360
CP361
CP362
CP363
CP364
CP365
CP366
CP367
CP368
CP369
CP370
CP371
CP372
CP373
CP374
CP375
CP376
CP377
CP378
CP379
CP380
CP381
CP382
CP383
CP384
CP385
CP386
CP387
CP388
CP389
CP390
CP391
CP392
CP393
CP394
CP395
CP396
CP397
CP398
CP399
CP400
CP401
CP402
CP403
CP404
CP405
CP406
CP407
CP408
CP409
CP410
CP411
CP412
CP413
CP414
CP415
CP416
CP417
CP418
CP419
CP420
CP421
CP422
CP423
CP424
CP425
CP426
CP427
CP428
CP429
CP430
CP431
CP432
CP433
CP434
CP435
CP436
CP437
CP438
CP439
CP440
CP441
CP442
CP443
CP444
CP445
CP446
CP447
CP448
CP449
CP450
CP451
CP452
CP453
CP454
CP455
CP456
CP457
CP458
CP459
CP460
CP461
CP462
CP463
CP464
CP465
CP466
CP467
CP468
CP469
CP470
CP471
CP472
CP473
CP474
CP475
CP476
CP477
CP478
CP479
CP480
CP481
CP482
CP483
CP484
CP485
CP486
CP487
CP488
CP489
CP490
CP491
CP492
CP493
CP494
CP495
CP496
CP497
CP498
CP499
CP500
CP501
CP502
CP503
CP504
CP505
CP506
CP507
CP508
CP509
CP510
CP511
CP512
CP513
CP514
CP515
CP516
CP517
CP518
CP519
CP520
CP521
CP522
CP523
CP524
CP525
CP526
CP527
CP528
CP529
CP530
CP531
CP532
CP533
CP534
CP535
CP536
CP537
CP538
CP539
CP540
CP541
CP542
CP543
CP544
CP545
CP546
CP547
CP548
CP549
CP550
CP551
CP552
CP553
CP554
CP555
CP556
CP557
CP558
CP559
CP560
CP561
CP562
CP563
CP564
CP565
CP566
CP567
CP568
CP569
CP570
CP571
CP572
CP573
CP574
CP575
CP576
CP577
CP578
CP579
CP580
CP581
CP582
CP583
CP584
CP585
CP586
CP587
CP588
CP589
CP590
CP591
CP592
CP593
CP594
CP595
CP596
CP597
CP598
CP599
CP600
CP601
CP602
CP603
CP604
CP605
CP606
CP607
CP608
CP609
CP610
CP611
CP612
CP613
CP614
CP615
CP616
CP617
CP618
CP619
CP620
CP621
CP622
CP623
CP624
CP625
CP626
CP627
CP628
CP629
CP630
CP631
CP632
CP633
CP634
CP635
CP636
CP637
CP638
CP639
CP640
CP641
CP642
CP643
CP644
CP645
CP646
CP647
CP648
CP649
CP650
CP651
CP652
CP653
CP654
CP655
CP656
CP657
CP658
CP659
CP660
CP661
CP662
CP663
CP664
CP665
CP666
CP667
CP668
CP669
CP670
CP671
CP672
CP673
CP674
CP675
CP676
CP677
CP678
CP679
CP680
CP681
CP682
CP683
CP684
CP685
CP686
CP687
CP688
CP689
CP690
CP691
CP692
CP693
CP694
CP695
CP696
CP697
CP698
CP699
CP700
CP701
CP702
CP703
CP704
CP705
CP706
CP707
CP708
CP709
CP710
CP711
CP712
CP713
CP714
CP715
CP716
CP717
CP718
CP719
CP720
CP721
CP722
CP723
CP724
CP725
CP726
CP727
CP728
CP729
CP730
CP731
CP732
CP733
CP734
CP735
CP736
CP737
CP738
CP739
CP740
CP741
CP742
CP743
CP744
CP745
CP746
CP747
CP748
CP749
CP750
CP751
CP752
CP753
CP754
CP755
CP756
CP757
CP758
CP759
CP760
CP761
CP762
CP763
CP764
CP765
CP766
CP767
CP768
CP769
CP770
CP771
CP772
CP773
CP774
CP775
CP776
CP777
CP778
CP779
CP780
CP781
CP782
CP783
CP784
CP785
CP786
CP787
CP788
CP789
CP790
CP791
CP792
CP793
CP794
CP795
CP796
CP797
CP798
CP799
CP800
CP801
CP802
CP803
CP804
CP805
CP806
CP807
CP808
CP809
CP810
CP811
CP812
CP813
CP814
CP815
CP816
CP817
CP818
CP819
CP820
CP821
CP822
CP823
CP824
CP825
CP826
CP827
CP828
CP829
CP830
CP831
CP832
CP833
CP834
CP835
CP836
CP837
CP838
CP839
CP840
CP841
CP842
CP843
CP844
CP845
CP846
CP847
CP848
CP849
CP850
CP851
CP852
CP853
CP854
CP855
CP856
CP857
CP858
CP859
CP860
CP861
CP862
CP863
CP864
CP865
CP866
CP867
CP868
CP869
CP870
CP871
CP872
CP873
CP874
CP875
CP876
CP877
CP878
CP879
CP880
CP881
CP882
CP883
CP884
CP885
CP886
CP887
CP888
CP889
CP890
CP891
CP892
CP893
CP894
CP895
CP896
CP897
CP898
CP899
CP900
CP901
CP902
CP903
CP904
CP905
CP906
CP907
CP908
CP909
CP910
CP911
CP912
CP913
CP914
CP915
CP916
CP917
CP918
CP919
CP920
CP921
CP922
CP923
CP924
CP925
CP926
CP927
CP928
CP929
CP930
CP931
CP932
CP933
CP934
CP935
CP936
CP937
CP938
CP939
CP940
CP941
CP942
CP943
CP944
CP945
CP946
CP947
CP948
CP949
CP950
CP951
CP952
CP953
CP954
CP955
CP956
CP957
CP958
CP959
CP960
CP961
CP962
CP963
CP964
CP965
CP966
CP967
CP968
CP969
CP970
CP971
CP972
CP973
CP974
CP975
CP976
CP977
CP978
CP979
CP980
CP981
CP982
CP983
CP984
CP985
CP986
CP987
CP988
CP989
CP990
CP991
CP992
CP993
CP994
CP995
CP996
CP997
CP998
CP999
CP1000

Icom Inc.

1-1-32, Kamiminami, Hirano-ku, Osaka 547-0003, Japan
Phone : +81 (06) 6793 5302
Fax : +81 (06) 6793 0013
URL : <http://www.icom.co.jp/world/index.html>

Icom America Inc.

<Corporate Headquarters>
2380 116th Avenue N.E., Bellevue, WA 98004, U.S.A.
Phone : +1 (425) 454-8155 Fax : +1 (425) 454-1509
URL : <http://www.icomamerica.com>
E-mail : sales@icomamerica.com
<Customer Service>
Phone : +1 (425) 454-7619

Icom Canada

Glenwood Centre #150-6165
Highway 17 Delta, B.C., V4K 5B8, Canada
Phone : +1 (604) 952-4266 Fax : +1 (604) 952-0090
URL : <http://www.icomcanada.com>
E-mail : info@icomcanada.com

Icom (Australia) Pty. Ltd.

A.B.N. 88 006 092 575
Unit 1 / 103 Garden Road, Clayton VIC 3168 Australia
Phone : +61 (03) 9549-7500 Fax : +61 (03) 9549-7505
URL : <http://www.icom.net.au>
E-mail : sales@icom.net.au

Icom New Zealand

146A Harris Road, East Tamaki,
Auckland, New Zealand
Phone : +64 (09) 274 4062 Fax : +64 (09) 274 4708
URL : <http://www.icom.co.nz>
E-mail : inquiries@icom.co.nz

Beijing Icom Ltd.

Room C07, 10th Floor, Long Silver Mansion, No. 88,
Yong Ding Road, Haidian District, Beijing, 100039, China
Phone : +86 (010) 5889 5391/5392/5393
Fax : +86 (010) 5889 5395
URL : <http://www.bjicom.com>
E-mail : bjicom@bjicom.com

Icom (Europe) GmbH

Communication Equipment
Himmelgeister Str. 100, D-40225 Düsseldorf, Germany
Phone : +49 (0211) 346047 Fax : +49 (0211) 333639
URL : <http://www.icomeurope.com>
E-mail : info@icomeurope.com

Icom Spain S.L

Crta. de Gracia a Manresa Km. 14,750
08190 Sant Cugat del Valles Barcelona, SPAIN
Phone : +34 (93) 590 26 70 Fax : +34 (93) 589 04 46
URL : <http://www.icomspain.com>
E-mail : icom@icomspain.com

Icom (UK) Ltd.

Unit 9, Sea St., Herne Bay, Kent, CT6 8LD, U.K.
Phone : +44 (01227) 741741 Fax : +44 (01227) 741742
URL : <http://www.icomuk.co.uk>
E-mail : info@icomuk.co.uk

Icom France S.a

Zac de la Plaine, 1, Rue Brindejonc des Moulinais
BP 5804, 31505 Toulouse Cedex, France
Phone : +33 (5) 61 36 03 03 Fax : +33 (5) 61 36 03 00
URL : <http://www.icom-france.com>
E-mail : icom@icom-france.com

Asia Icom Inc.

6F No.68, Sec. 1 Cheng-Teh Road, Taipei, Taiwan, R.O.C.
Phone : +886 (02) 2559 1899 Fax : +886 (02) 2559 1874
URL : <http://www.asia-icom.com>
E-mail : sales@asia-icom.com

Icom Polska

Sopot, 3 Maja 54 Poland
Phone : +48 (58) 550 7135 Fax : +48 (58) 551 0484
E-mail : icompolska@icompolska.com.pl

Count on us!