

IMPORTANT SAFEGUARDS

When using electrical equipment, basic safety precautions should always be followed including the following:

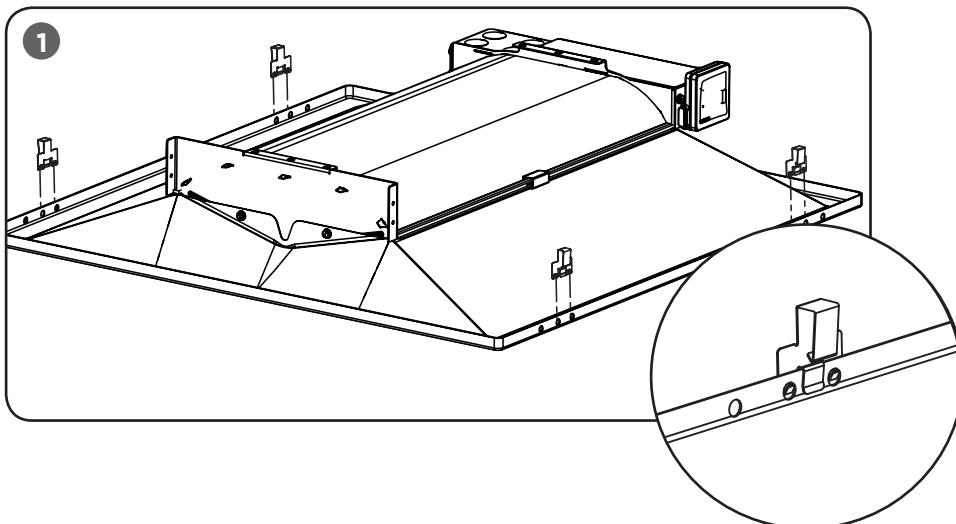
READ AND FOLLOW ALL SAFETY INSTRUCTIONS

- 1. DANGER**- Risk of shock- Disconnect power before installation.
DANGER – Risque de choc – Couper l'alimentation avant l'installation.
- This luminaire must be installed in accordance with the NEC or your local electrical code. If you are not familiar with these codes and requirements, consult a qualified electrician.
Ce produit doit être installé conformément à NEC ou votre code électrique local. Si vous n'êtes pas familier avec ces codes et ces exigences, veuillez contacter un électricien qualifié.
- Do not handle energized module with wet hands or when standing on wet or damp surfaces, or in water.
- Suitable for damp locations.
Convient aux emplacements humides.
- Access above ceiling required. Do not install insulation within 3" (76mm) of any part of the luminaire.
Accès requis au-dessus du plafond. Ne pas mettre l'isolant à moins de 76 mm (3 po) de toute partie du luminaire.
- Suitable for suspended ceilings.

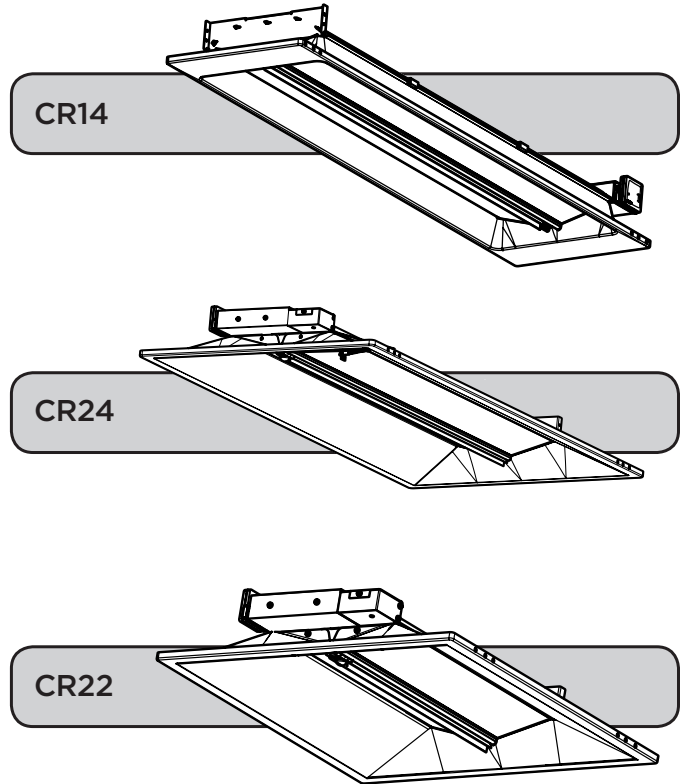
SAVE THESE INSTRUCTIONS FOR FUTURE REFERENCE

- The CR Series of recessed troffers is for non-insulated ceiling applications using T-Bar ceiling grid and drywall grid adaptors.
- Designed for use in 120-277V 50-60 Hertz protected circuit (fuse box, circuit breaker). Supply wire sized as per NEC or governing code(s), 90° C rated.

TO INSTALL:



INSTALLATION INSTRUCTIONS INSTRUCTIONS D'INSTALLATION



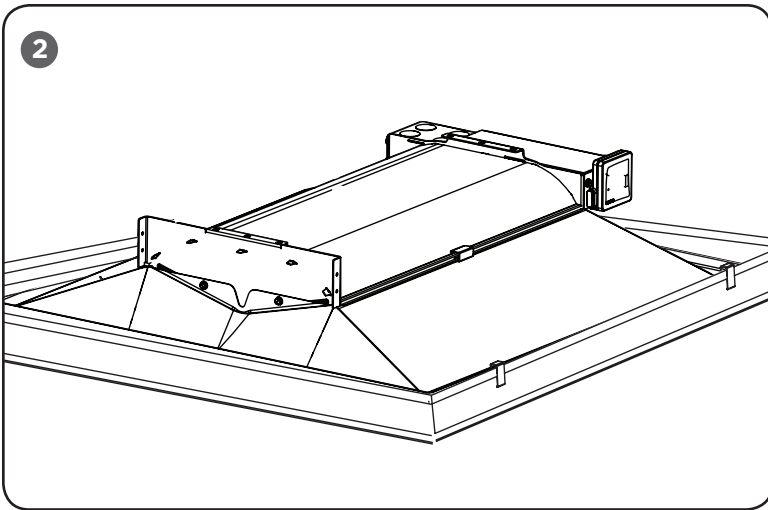
LUMINAIRE INSTALLATION

STEP 1:

Unpack the CR troffer from its shipping container.

STEP 2:

Install the (4) T-Bar clips included with the luminaire (located in pre-pack fastened to luminaire junction box). See **Figure 1**.



STEP 3:

Place the CR troffer into the T-Bar Ceiling panel. Ensure T-Bar clips are attached to the T-Bar. See **Figure 2**.

STEP 4:

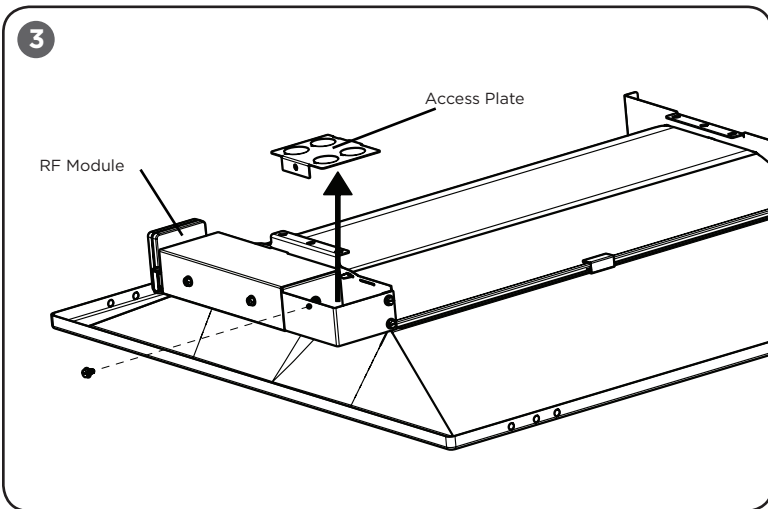
Remove access plate from junction box. Using screw driver blade, remove appropriate knockout from access plate door to route input conduit. See **Figure 3**.

STEP 5:

Connect input conduit to access plate. Make wiring connections per **Electrical Connections** section. Push all wires back into the junction box.

STEP 6:

Re-install access plate that was removed in Step 4.



RESET RF MODULE

NOTE: The Blue LED is located behind the CREE logo on the RF Module. The CREE logo with illuminate blue when the Blue LED is active.

STEP 1:

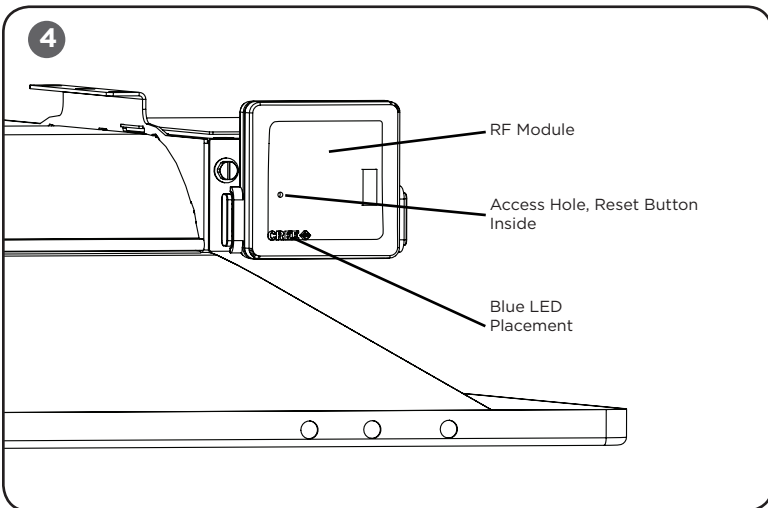
Actuate RESET button through the access hole. Push and hold until LED on RF module begins blinking rapidly (approximately 6-7 seconds). See **Figure 4**.

STEP 2:

Release for 1 sec.

STEP 3:

Press/Hold RESET button for 0.5 sec. Light will turn off for a few seconds then go to full bright and the Blue LED on the RF Module should begin a 2 blink sequence. **Figure 4**.



TROUBLESHOOTING:

Out of the box, if the light does not turn on when power is applied:

- Check Wiring with power off
- If wired correctly, check to see if Blue LED blinking on the RF Module.
- If Blue LED is blinking, then perform a RESET (See RESET RF MODULE section).
- If Blue LED is on solid or off, call Cree Customer Service.
- If you have done a RESET, and the light is still off, call Cree Customer Service.

If light is unresponsive, use Cree Configuration Tool to verify configuration.

FCC NOTICE

To comply with the FCC RF exposure compliance requirements, this device and its antenna must not be co-located or operating to conjunction with any other antenna or transmitter. This equipment should be installed and operated with minimum distance 5cm between the radiator & your body.

FCC COMPLIANCE STATEMENT

CAUTION: Changes or modifications not expressly approved could void your authority to use this equipment.

This device complies with Part 15 of the FCC Rules. Operation to the following two conditions: (1) This device may not cause harmful interference, and (2) this device must accept any interference received, including interference that may cause undesired operation

This device has been tested and found to comply with the limits for a Class A digital device, pursuant to Part 15 of the FCC Rules. These limits are designed to provide reasonable protection against harmful interference when the device is operated in a commercial environment. This device generates, uses, and can radiate radio frequency energy and, if not installed and used in accordance with the instruction manual, may cause harmful interference to radio communications. Operation of this device in a residential area is likely to cause harmful interference in which case the user will be required to correct the interference at his own expense.

The LED in the front of this device operates within Risk Group 1 levels per IEC 62471.

INDUSTRY CANADA STATEMENT

This device complies with Industry Canada licence-exempt RSS standard(s). Operation is subject to the following two conditions: (1) this device may not cause interference, and (2) this device must accept any interference, including interference that may cause undesired operation of the device. In addition, this device complies with ICES-003 of the Industry Canada (IC) Regulations.

Le présent appareil est conforme aux CNR d'Industrie Canada applicables aux appareils radio exempts de licence. L'exploitation est autorisée aux deux conditions suivantes : (1) l'appareil ne doit pas produire de brouillage, et (2) l'utilisateur de l'appareil doit accepter tout brouillage radioélectrique subi, même si le brouillage est susceptible d'en compromettre le fonctionnement.

ELECTRICAL CONNECTIONS

STEP 1:

Make the following Electrical Connections :

- Connect the black fixture lead to the voltage supply position.
- Connect the white fixture lead to the neutral supply position.
- Connect the green ground lead to the green wire position.

