

Product Manual

GW1100 – Wireless Gateway

PRODUCT DESCRIPTION

The GW1100 Wireless Gateway is an electronic communications device which acts as the central processing “hub” of the Audacy™ system. The GW1100 wirelessly receives and prioritizes inputs from sensors, switches, building automation systems (BAS), and/or a dedicated internet interface (e.g., website or app). It then communicates wirelessly with each Smart Connector to turn on, turn off, or dim light fixtures, based on input from the systems above. The GW1100 can also pass information such as light fixture status, sensor data, and energy usage to the building automation system and/or internet interface.



KEY FEATURES

- 24V AC or DC power input
- FCC and IC approved
- Flexible mounting options
- RoHS compliant

PRODUCT CONTENTS

The following items are included inside the package:

| Qty | Description |
|-----|-------------------------|
| 1 | GW1100 Wireless Gateway |
| 2 | Mounting Screws |

IDEAL Model GW1100 Wireless Gateway Installation Instructions

PHYSICAL MOUNTING

1. The GW1100 Wireless Gateway can be mounted on a wall or surface using the screws provided. Refer to Figure 1 for mounting hole dimensions. It is important to keep the external antennas oriented vertically, regardless of the orientation of the gateway enclosure. See Figures 2 and 3 for orientation examples. Alternately, the GW1100 Wireless Gateway can be set atop a desk or countertop anywhere.
2. The GW1100 requires a 24VDC input. This can be achieved via a PSU1500 power supply (sold separately) or by wiring 24VDC directly into the power connector on the unit. See Figure 4 for details.
3. To connect the GW1100 to your office network, insert an Ethernet cable into the Ethernet port on the side of the unit. See Figure 5 for details.

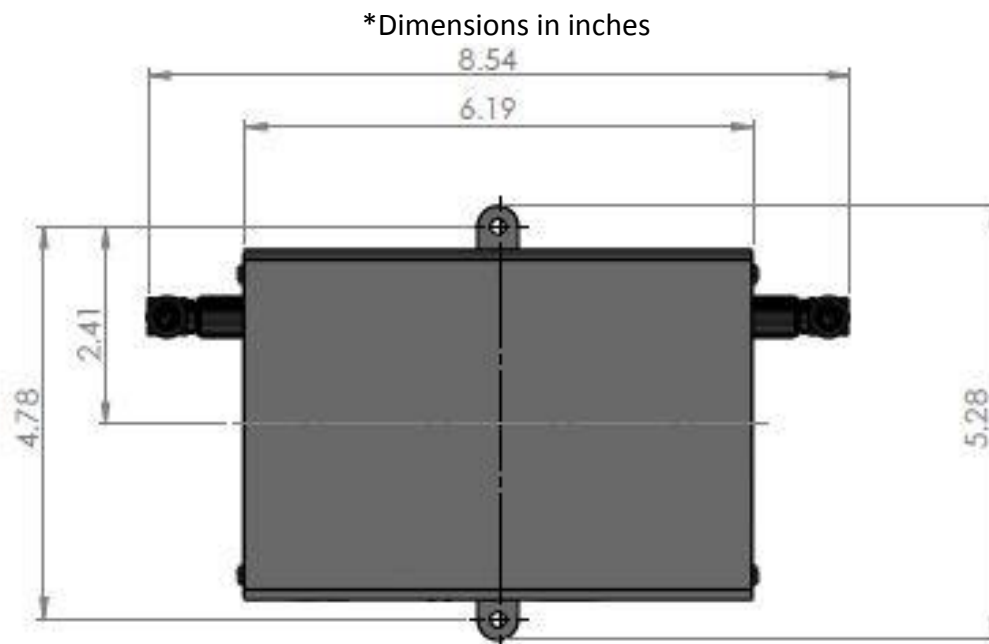


Figure 1: Horizontal Mount, Top View

Product Manual

GW1100 – Wireless Gateway

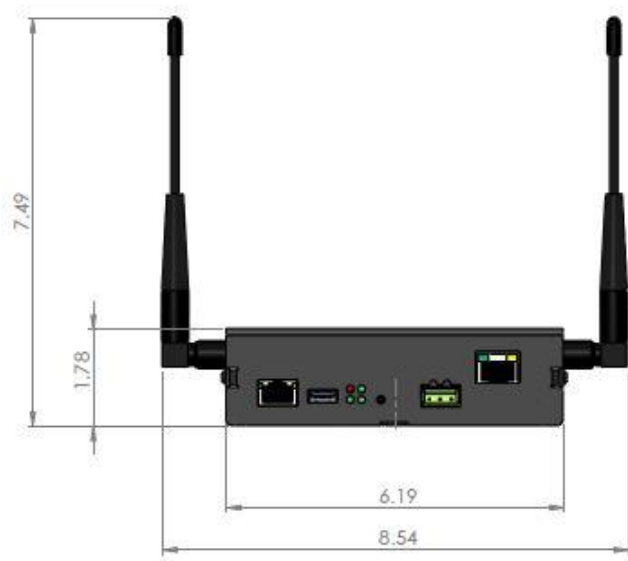


Figure 2: Horizontal Mount, Antennas Extended

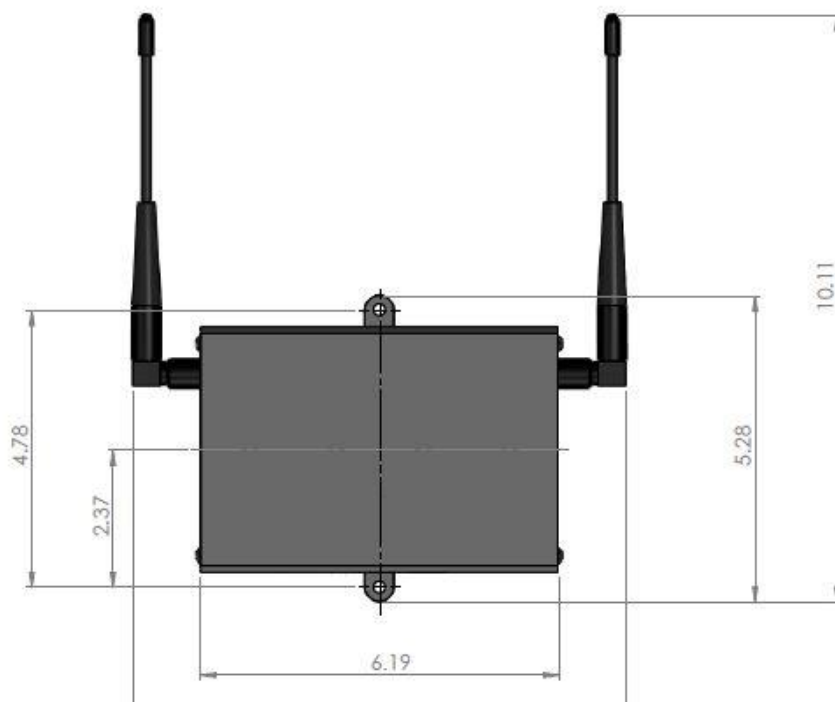


Figure 3: Vertical Mount, Antennas Extended

Product Manual

GW1100 – Wireless Gateway

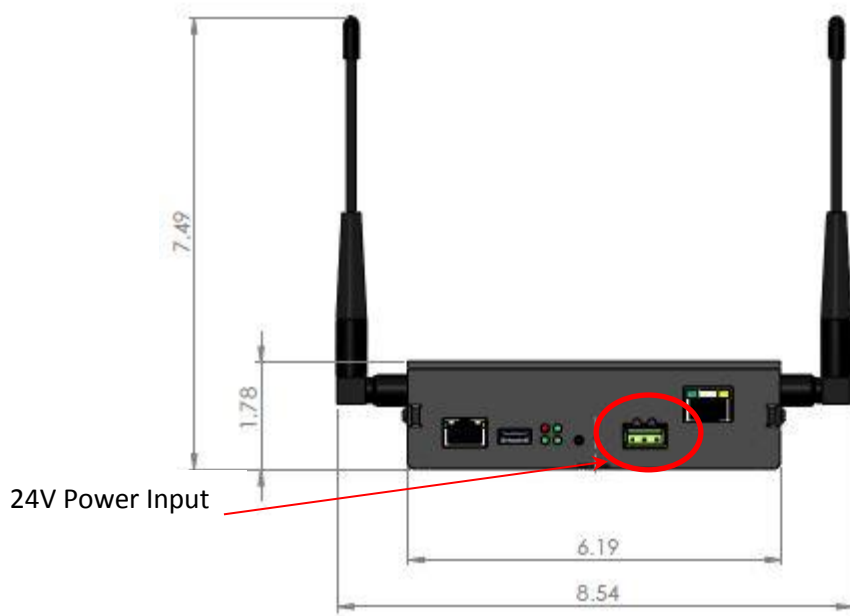


Figure 4: Gateway Power Input

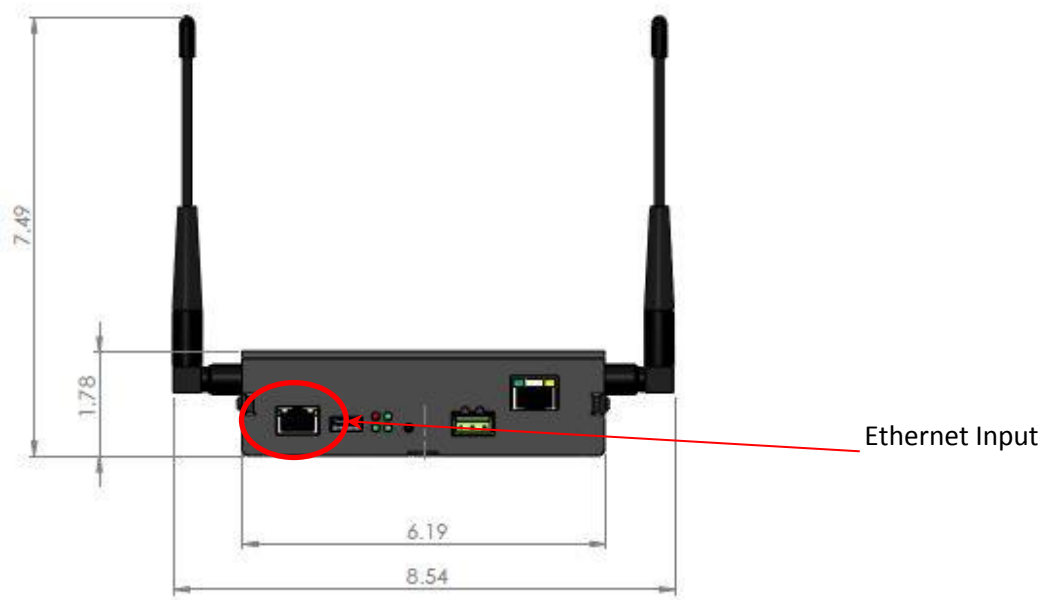


Figure 5: Gateway Ethernet Input

SPECIFICATIONS

Product Manual

GW1100 – Wireless Gateway

| Item | Description |
|--------------------------|---|
| Radio | 915 MHz Band, Dual External Antennas |
| Regulatory Approvals | FCC Part 15 and Industry Canada Contains FCC ID: 2AAMXGW1100B Contains IC: 11250A-GW1100B |
| Transmit Range | 300 ft. indoors in a typical commercial office building |
| Power | 24V AC/DC, removable terminal block |
| Configuration Port | Ethernet |
| Network Port | Ethernet, RS-485, or FTT-10 |
| Operating Temperature | 10°C to 32°C |
| Storage Temperature | -20°C to 50°C |
| Installation Environment | Indoor use only |
| Mounting | 2 mounting holes – vertical (wall mount) or horizontal |
| Enclosure | Sheet Metal, UL94-5VA rating |
| Color | Black |
| Dimensions | 5.28" x 8.54" x 1.78" (134.1 x 216.9 x 45.2 mm) |
| Weight | 16.2 oz. (460grams) |
| Warranty | 1 year |

SUPPORT

Technical support for IDEAL INDUSTRIES products can be initiated through the following methods:

Website: <http://www.idealindustries.com/support/>
 Telephone: +1 800-435-0705
 Email: contactus@idealindustries.com

Product Manual

GW1100 – Wireless Gateway

COMPLIANCE STATEMENTS

This equipment has been tested and found to comply with the limits for a Class A digital device, pursuant to Part 15 of the FCC Rules. These limits are designed to provide reasonable protection against harmful interference when the equipment is operated in a commercial environment. This equipment generates, uses and can radiate radio frequency energy and, if not installed and used in accordance with the instruction manual, may cause harmful interference to radio communications. Operation of this equipment in a residential area is likely to cause harmful interference in which case the user will be required to correct the interference at his own expense.

This device is intended for commercial and industrial applications.

Changes or modifications not expressly approved by IDEAL could void the user's authority to operate the equipment. Use and maintain device only as specified in this manual.

When using the RS-485 interface, install the provided snap-on ferrites on the RS-485 cable adjacent to the RS-485 interface of the GW1100.

WARNING!

FCC and IC Radiation Exposure Statement:

This equipment complies with FCC's and IC's RF radiation exposure limits set forth for an uncontrolled environment under the following conditions:

1. This equipment should be installed and operated such that a minimum separation distance of 20cm is maintained between the radiator (antenna) & user's/nearby person's body at all times.
2. This transmitter must not be co-located or operating in conjunction with any other antenna or transmitter.

This device complies with Industry Canada licence-exempt RSS standard(s). Operation is subject to the following two conditions: (1) this device may not cause interference, and (2) this device must accept any interference, including interference that may cause undesired operation of the device.

Le présent appareil est conforme aux CNR d'Industrie Canada applicables aux appareils radio exempts de licence. L'exploitation est autorisée aux deux conditions suivantes : (1) l'appareil ne doit pas produire de brouillage, et (2) l'appareil doit accepter tout brouillage radioélectrique subi, même si le brouillage est susceptible d'en compromettre le fonctionnement.

Product Manual

GW1100 – Wireless Gateway

IMPORTANT NOTICE

Information furnished by IDEAL INDUSTRIES, INC. is believed to be accurate and reliable. No license, express or implied, to any intellectual property rights is granted by this document. No responsibility is assumed by IDEAL INDUSTRIES, INC. for its use, nor for any infringements of patents or other rights of third parties that may result from its use. IDEAL INDUSTRIES, INC. assumes no liability for misuse of this product. Specifications are subject to change without notice.

No license is granted by implication or otherwise under any patent or patent rights of IDEAL INDUSTRIES, INC. Trademarks and registered trademarks are the property of their respective owners.

IDEAL INDUSTRIES, INC. PRODUCTS (INCLUDING HARDWARE AND/OR SOFTWARE) ARE NOT DESIGNED OR INTENDED TO BE FAIL-SAFE, FAULT TOLERANT OR FOR USE IN ANY APPLICATION THAT COULD LEAD TO DEATH, PERSONAL INJURY OR SEVERE PROPERTY OR ENVIRONMENTAL DAMAGE (INDIVIDUALLY AND COLLECTIVELY, "CRITICAL APPLICATIONS"), SUCH AS LIFE-SUPPORT OR SAFETY DEVICES OR SYSTEMS, CLASS III MEDICAL DEVICES, NUCLEAR FACILITIES, APPLICATIONS THAT AFFECT CONTROL OF A VEHICLE OR AIRCRAFT, APPLICATIONS RELATED TO THE DEPLOYMENT OF AIRBAGS, OR ANY OTHER CRITICAL APPLICATIONS. CUSTOMER AGREES, PRIOR TO USING OR DISTRIBUTING ANY SYSTEMS THAT INCORPORATE IDEAL INDUSTRIES, INC. PRODUCTS, TO THOROUGHLY TEST THE SAME FOR SAFETY PURPOSES. CUSTOMER ASSUMES THE SOLE RISK AND LIABILITY OF ANY USE OF IDEAL INDUSTRIES, INC. PRODUCTS IN CRITICAL APPLICATIONS, SUBJECT ONLY TO APPLICABLE LAWS AND REGULATIONS GOVERNING LIMITATIONS ON PRODUCT LIABILITY.

Product Manual

GW1100 – Wireless Gateway

WARRANTY

THIS LIMITED WARRANTY applies solely to standard transmitters manufactured by or on behalf of IDEAL. Subject to the limitations herein, IDEAL warrants that transmitters, when delivered by IDEAL or its authorized distributor, for one (1) year following the delivery date, will be free from defects in material and workmanship and will substantially conform to IDEAL publicly available specifications for such products in effect at the time of delivery. This limited warranty excludes: (i) engineering samples (which are provided “AS-IS” without warranty); (ii) bare circuit boards (iii) development products (such as boards and cables); (iv) design defects or errors known as “errata”; (v) transmitters procured through unauthorized third parties; and (vi) transmitters that have been subject to misuse, mishandling, accident, alteration, neglect, unauthorized repair or installation. Furthermore, this limited warranty shall not apply to the use of covered products in an application or environment that is not within IDEAL specifications or in the event of any act, error, neglect or default of Customer. If such IDEAL products fail to conform to the warranty above, the exclusive remedy of Customer and the sole liability of IDEAL shall be, at the option of IDEAL, to replace or repair the affected products, or to refund to Customer the price of the affected products. The availability of replacement products is subject to product discontinuance policies at IDEAL. Customer may not return products without first obtaining a customer return material authorization (RMA) number from IDEAL. THE WARRANTIES SET FORTH HEREIN ARE EXCLUSIVE AND IN LIEU OF ALL OTHER WARRANTIES, REMEDIES AND CONDITIONS, WHETHER ORAL OR WRITTEN, EXPRESS OR IMPLIED. IDEAL DISCLAIMS ALL OTHER WARRANTIES, WHETHER EXPRESS, IMPLIED OR STATUTORY, INCLUDING, WITHOUT LIMITATION, ANY WARRANTY OF MERCHANTABILITY, FITNESS FOR A PARTICULAR PURPOSE, OR NON-INFRINGEMENT, AND ANY WARRANTY THAT MAY ARISE FROM COURSE OF DEALING, COURSE OF PERFORMANCE, OR USAGE OF TRADE. IF IDEAL CANNOT LAWFULLY DISCLAIM IMPLIED WARRANTIES UNDER THIS LIMITED PRODUCT WARRANTY, ALL SUCH IMPLIED WARRANTIES, INCLUDING WARRANTIES OF MERCHANTABILITY AND FITNESS FOR A PARTICULAR PURPOSE, ARE LIMITED IN DURATION TO THE WARRANTY PERIOD (AS DEFINED ABOVE). YOUR SOLE REMEDY WITH RESPECT TO ANY BREACH OF THE LIMITED PRODUCT WARRANTY SHALL BE THE REPAIR OR REPLACEMENT OF THE DEVICE AS SPECIFIED IN THE LIMITED PRODUCT WARRANTY. IDEAL IS NOT RESPONSIBLE FOR DIRECT, SPECIAL, INCIDENTAL, OR CONSEQUENTIAL DAMAGES RESULTING FROM ANY BREACH OF WARRANTY OR UNDER ANY OTHER LEGAL THEORY INCLUDING, BUT NOT LIMITED TO, LOST PROFITS, DOWNTIME, GOODWILL, DAMAGE TO OR REPLACEMENT OF EQUIPMENT AND PROPERTY, AND ANY COSTS OF RECOVERING, REPROGRAMMING, OR REPRODUCING ANY PROGRAM OR DATA STORED IN OR USED WITH A SYSTEM CONTAINING IDEAL TRANSMITTERS. Some states do not allow the exclusion or limitation of incidental or consequential damages or exclusions or limitations on the duration of implied warranties or conditions, so the above limitations or exclusions may not apply to you. This limited product warranty gives you specific legal rights, and you may also have other legal rights which vary from state to state.