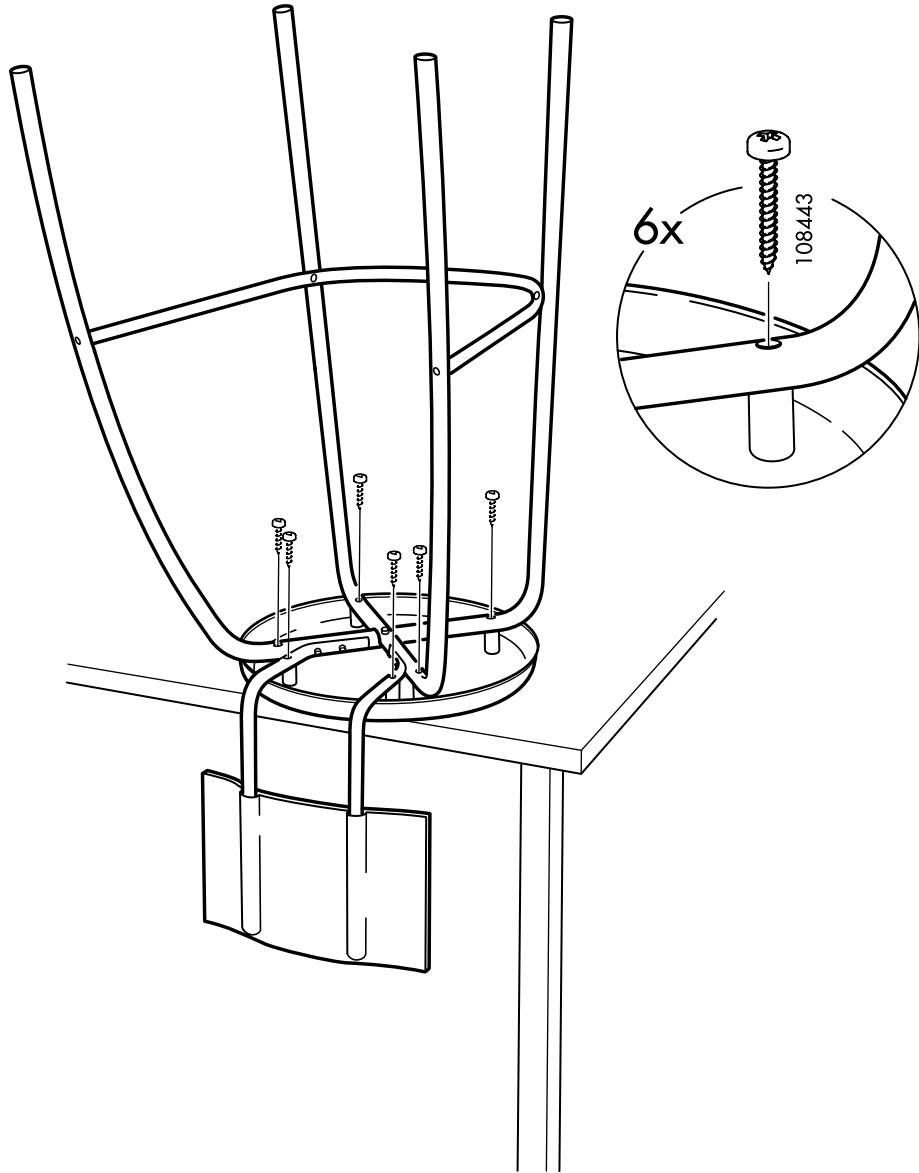
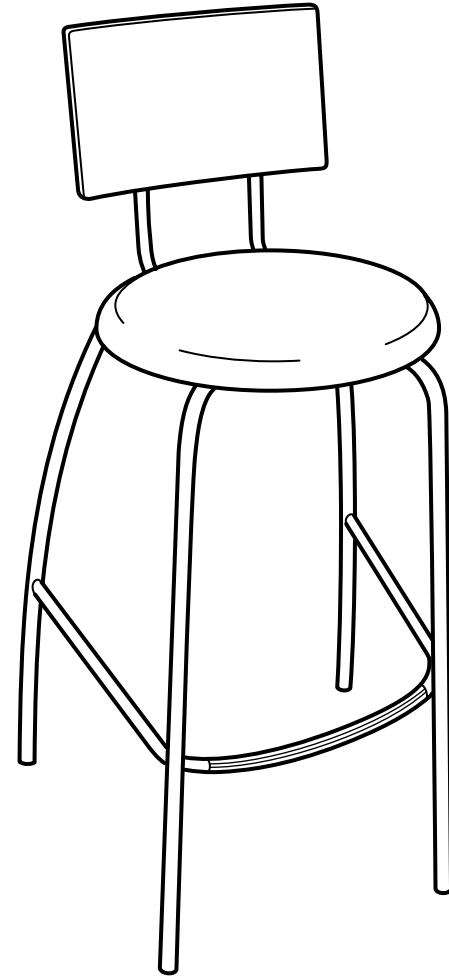
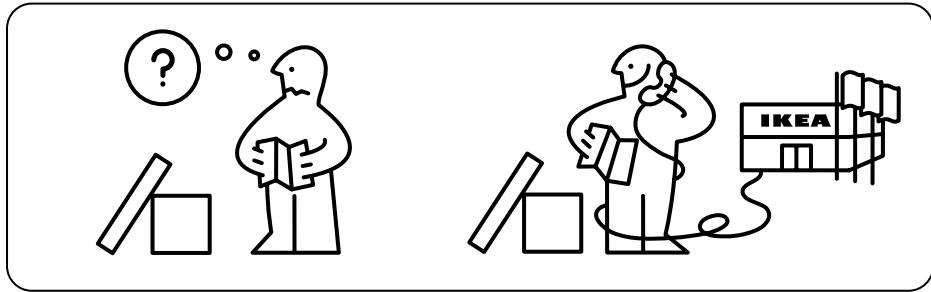
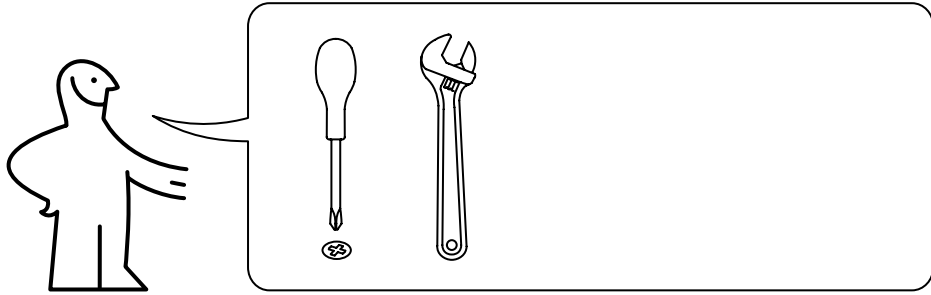


8

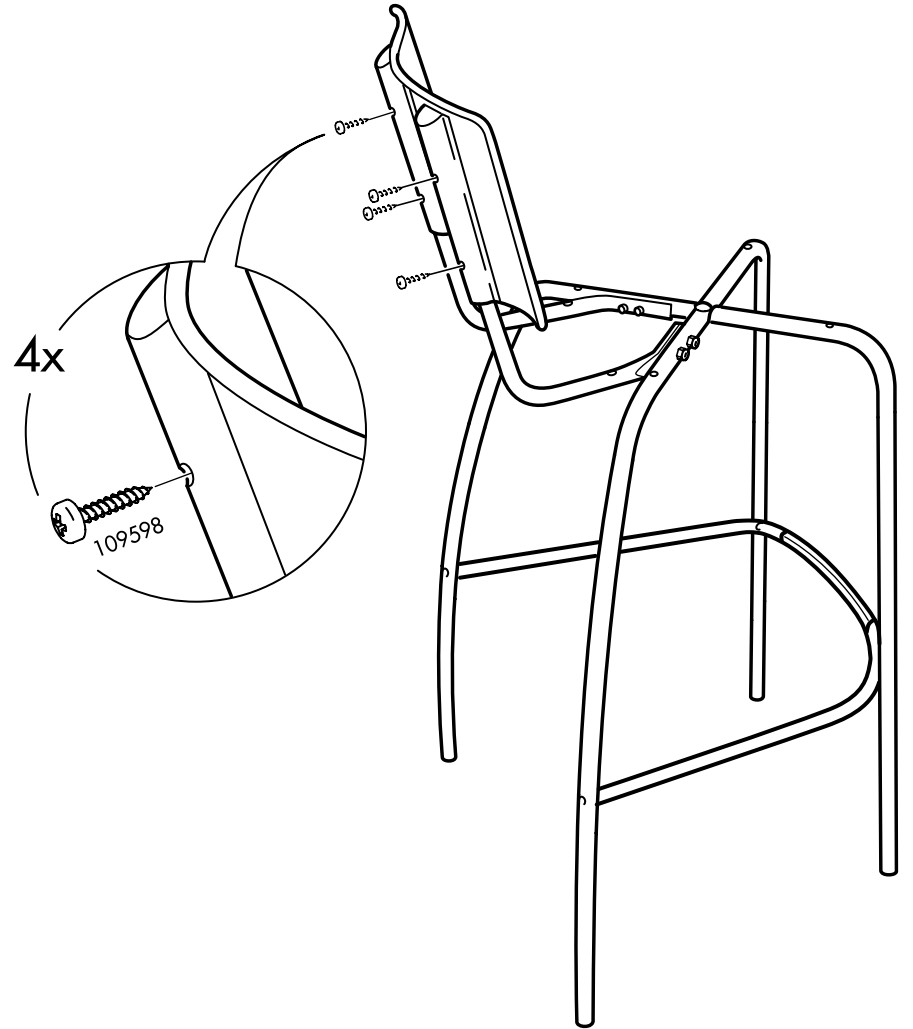


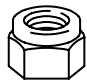
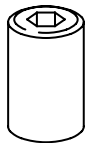
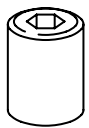
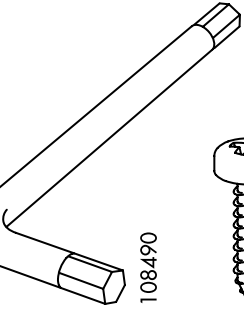
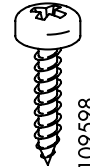
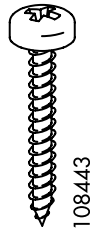
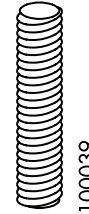
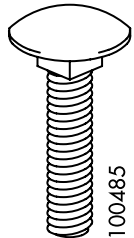
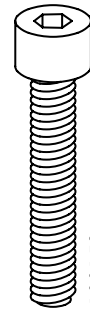
# ANSSI



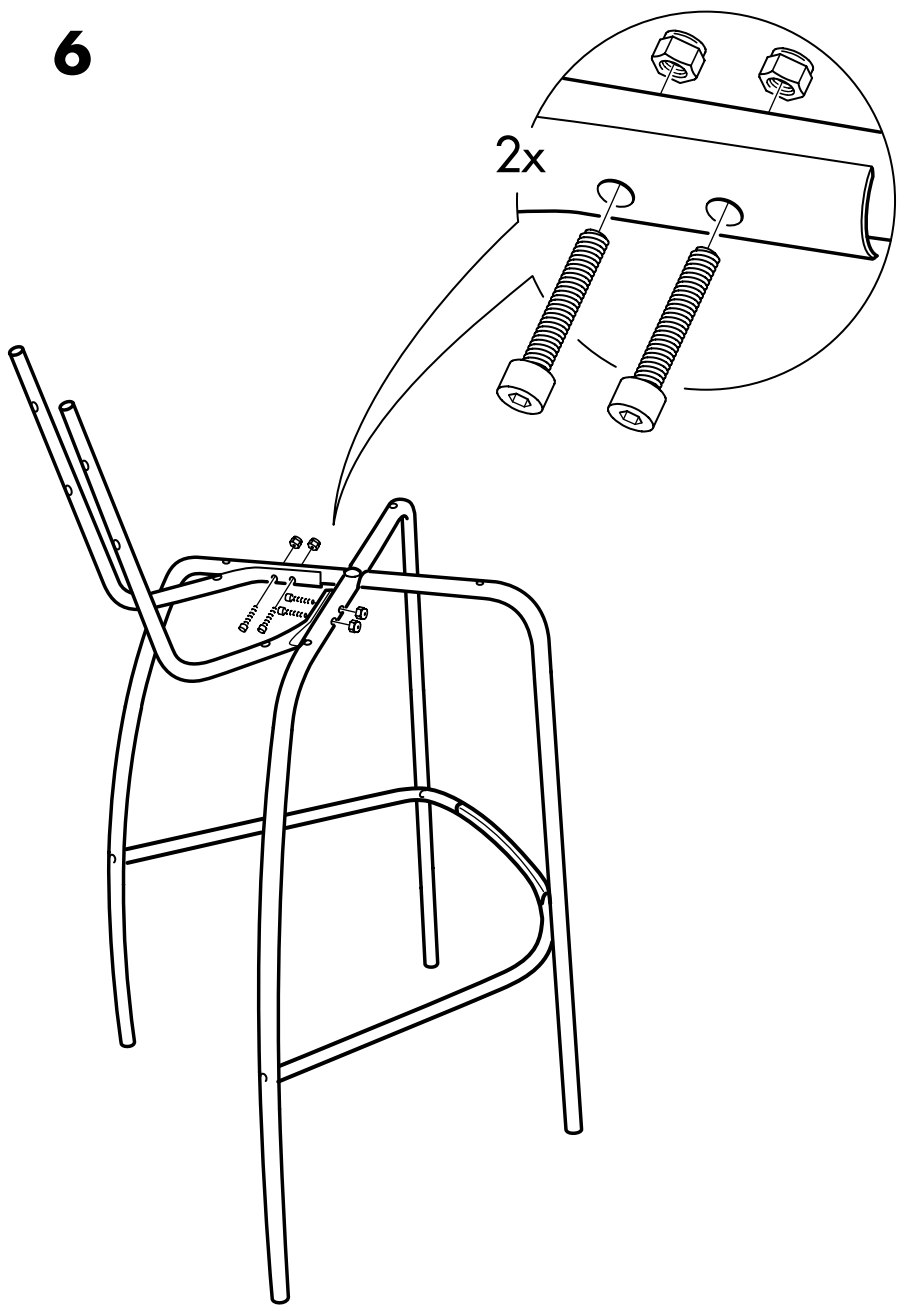


**7**



- |  |   |   |   |   |  |  |
|--|---|---|---|---|--|--|
|   |    |    |   |   |  |  |
| 100716   | 100645  | 106712  |   |   |  |  |
| 5x   | 2x  | 2x  |   |   |  |  |
|  |  |  |  |  |  |  |
| 108490   | 109598  | 108443  | 100039  | 100485  | 100152   |  |
| 1x   | 4x  | 6x  | 4x  | 1x  | 4x   |  |

6



1

