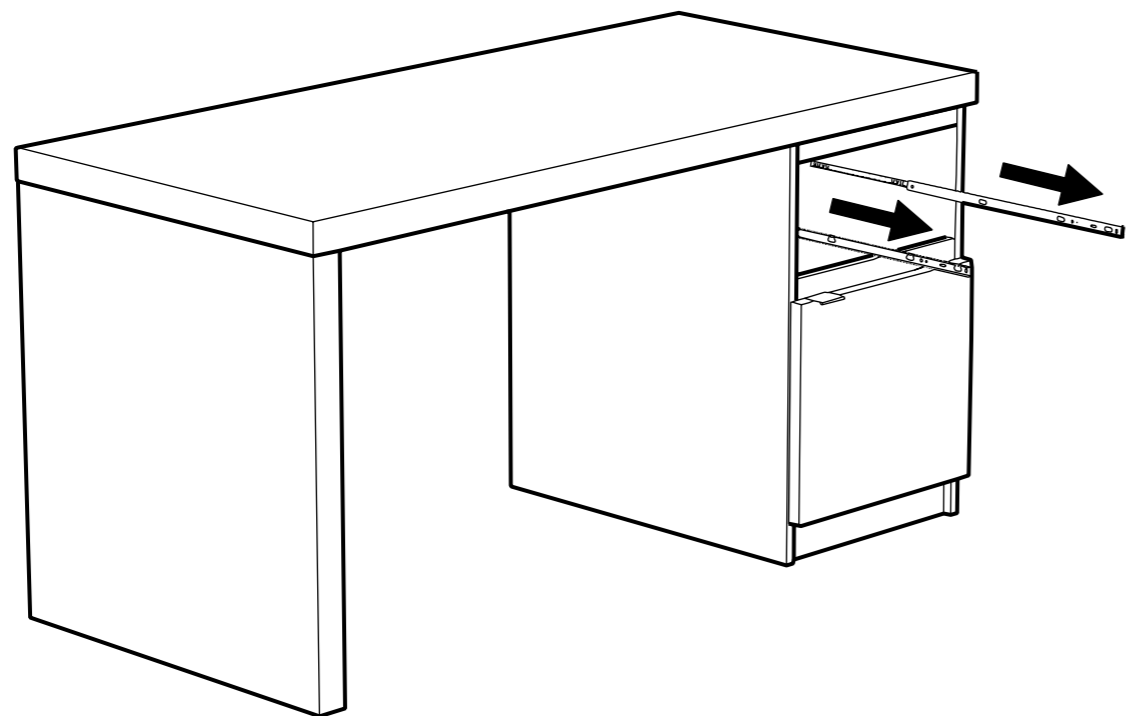
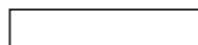
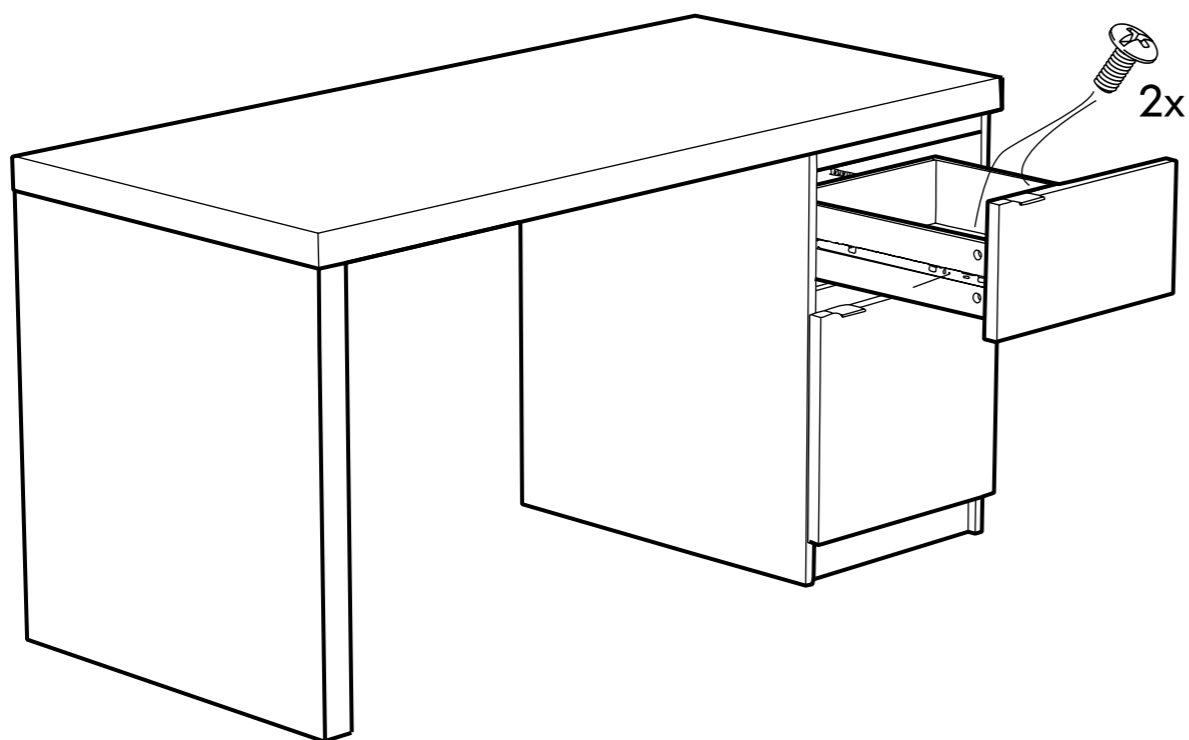
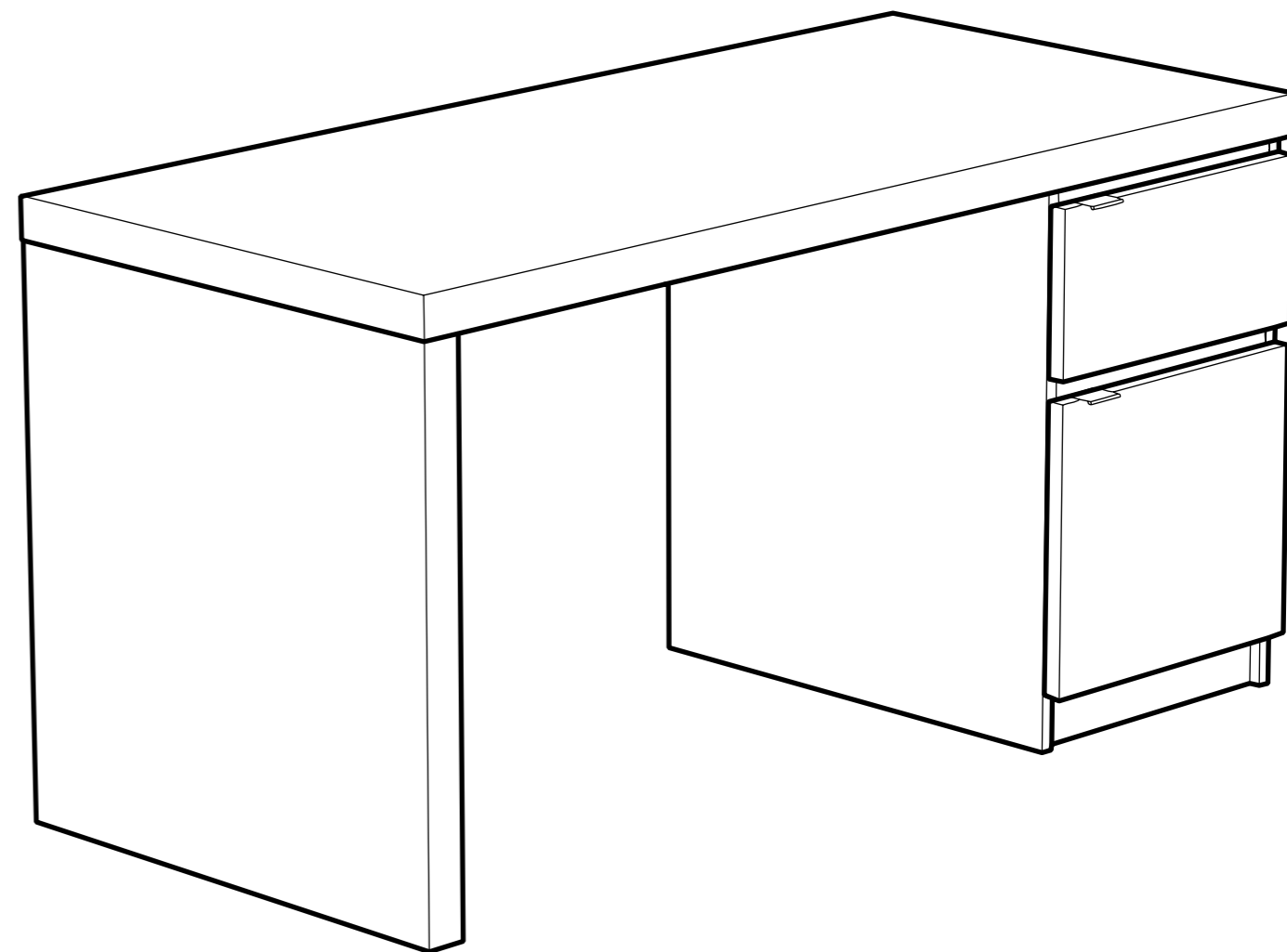
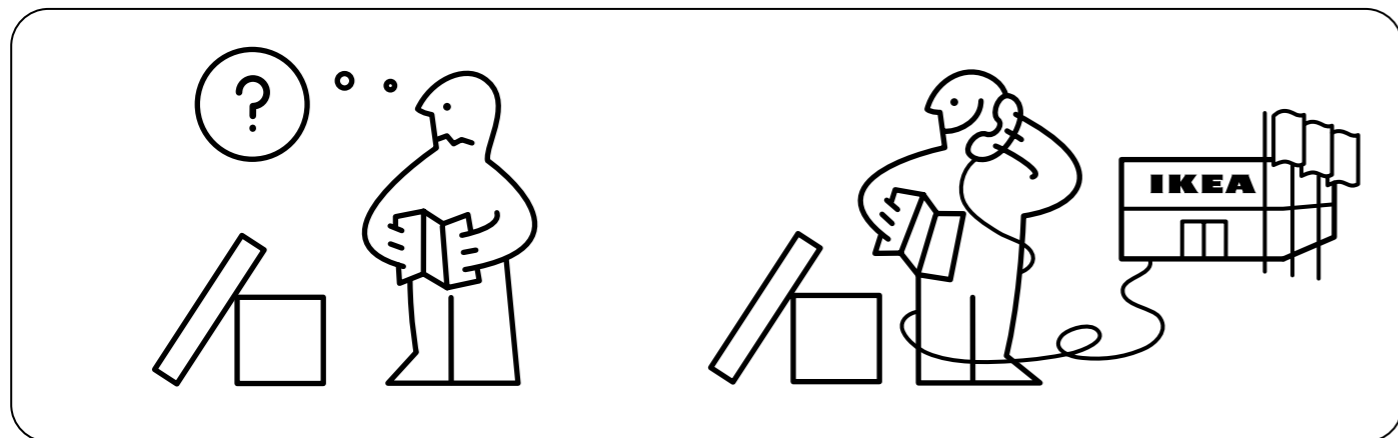
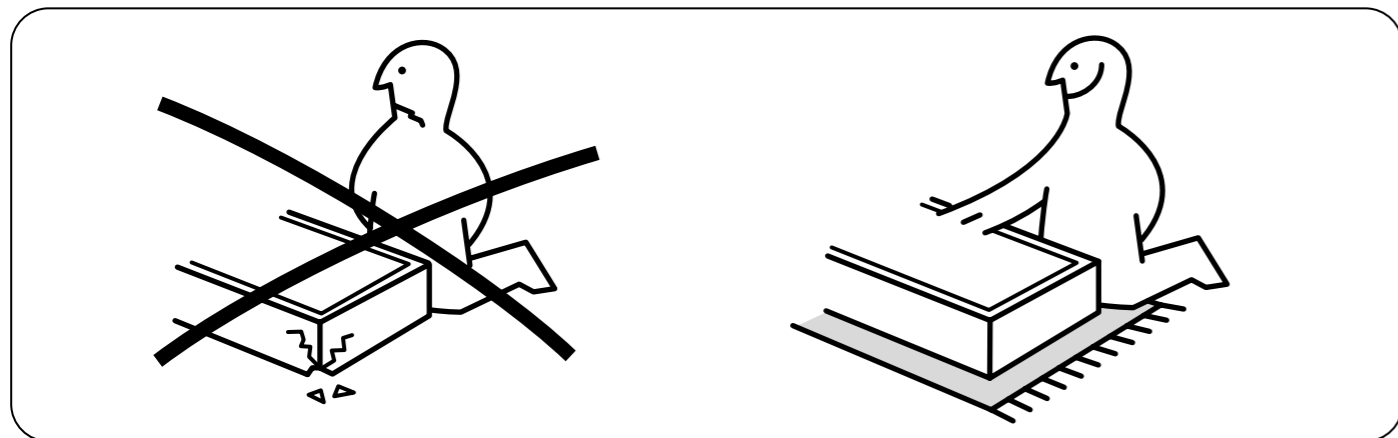
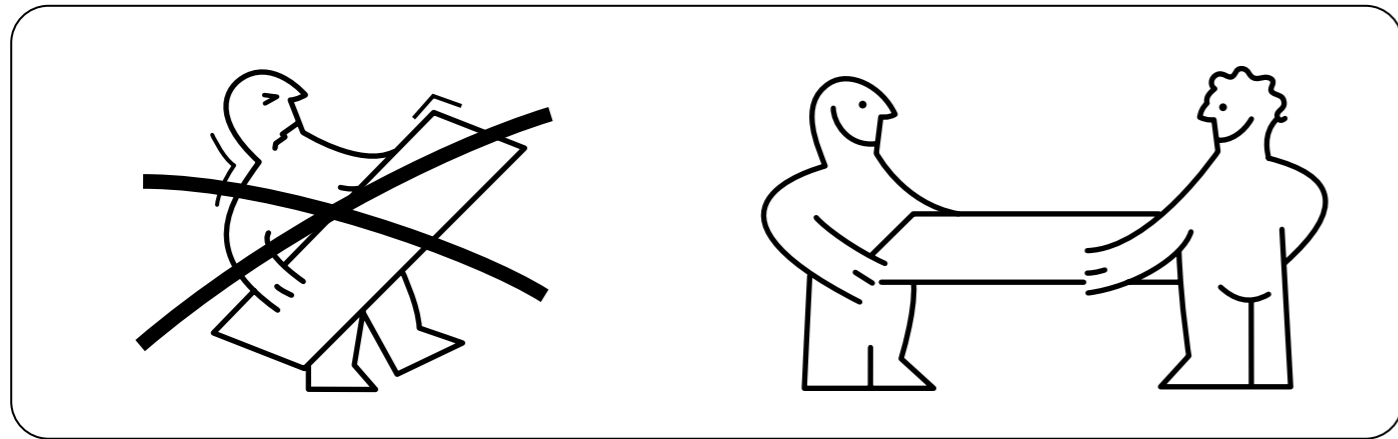
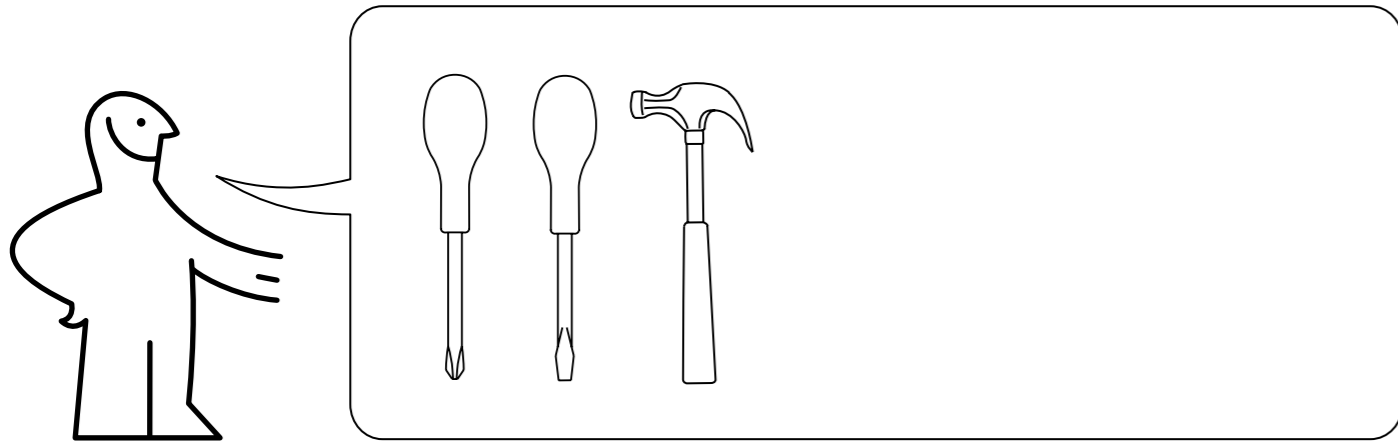


20

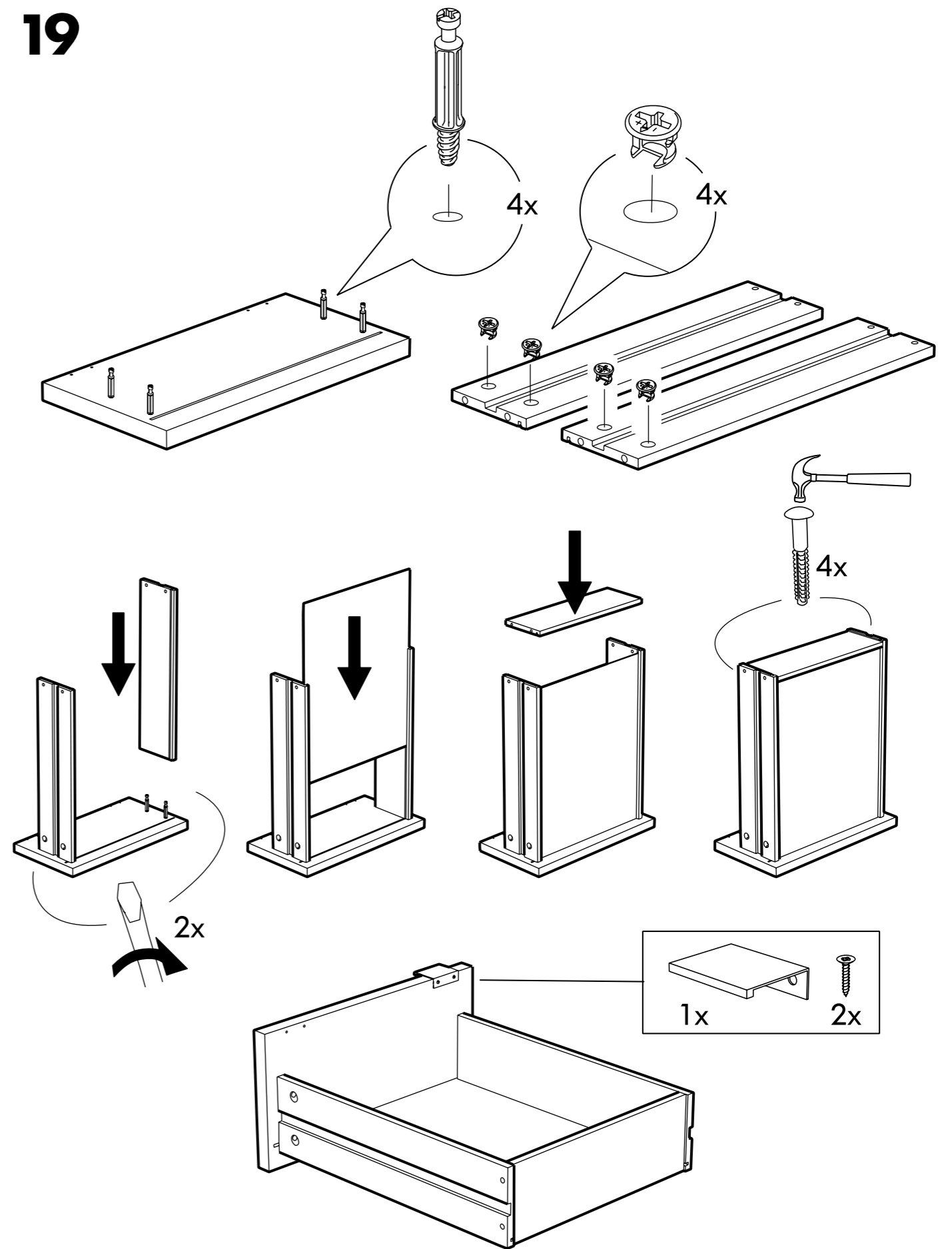


JONAS

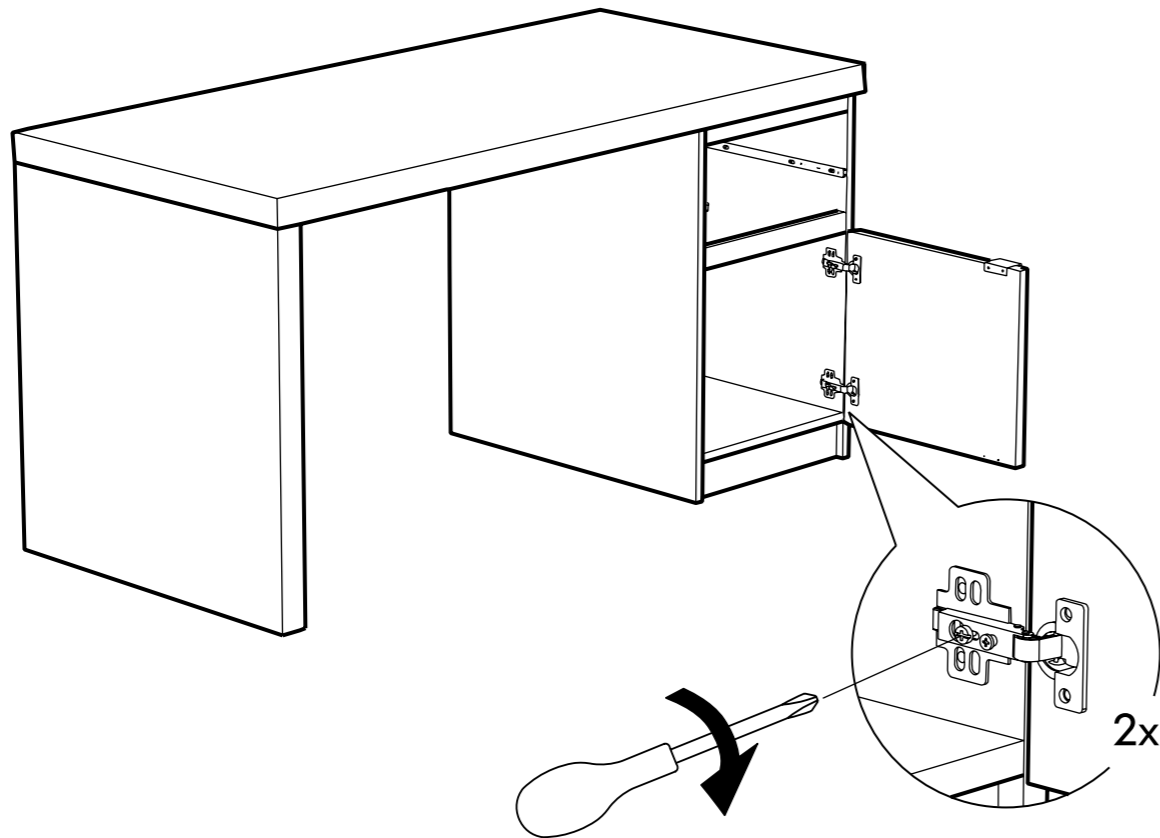








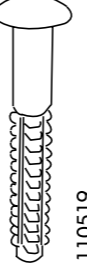


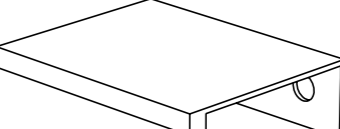



19

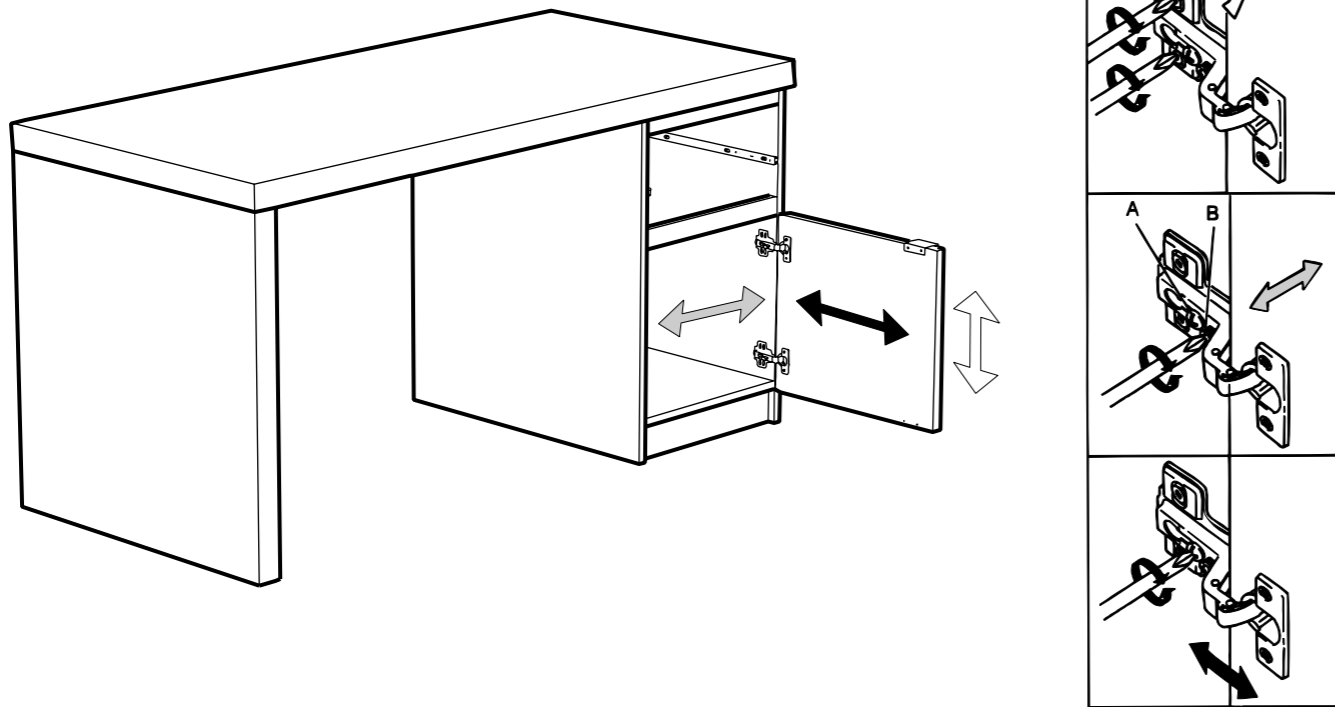


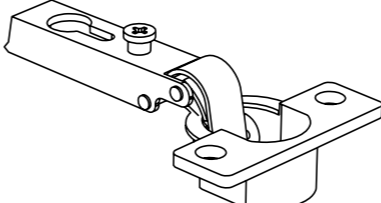
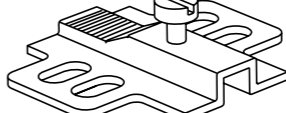
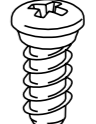
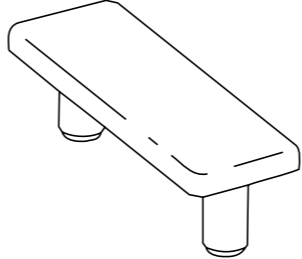
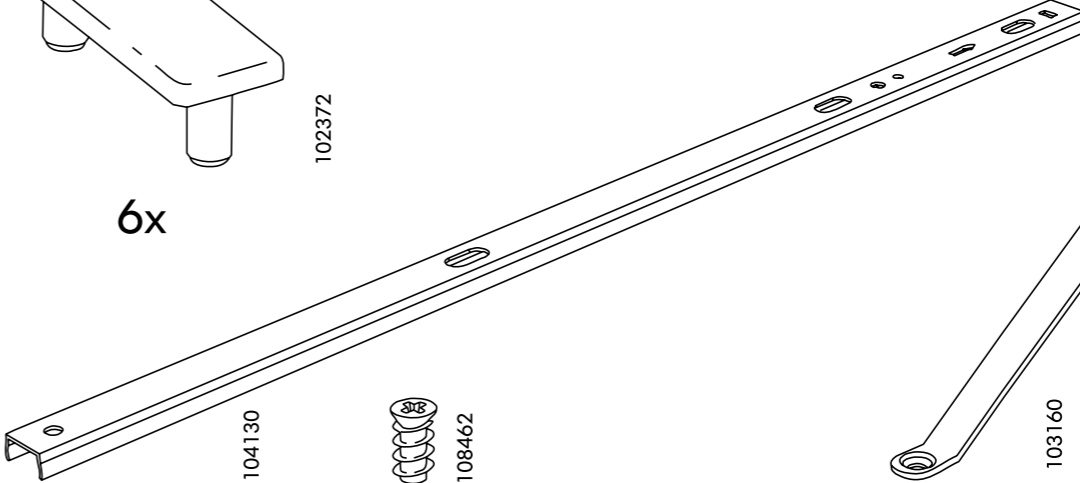

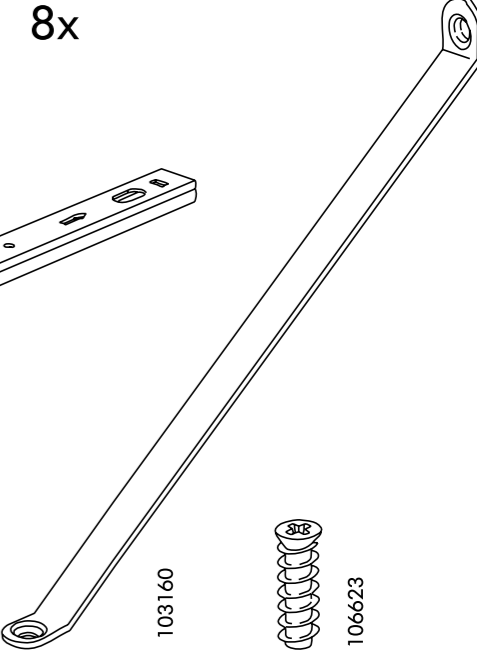

17

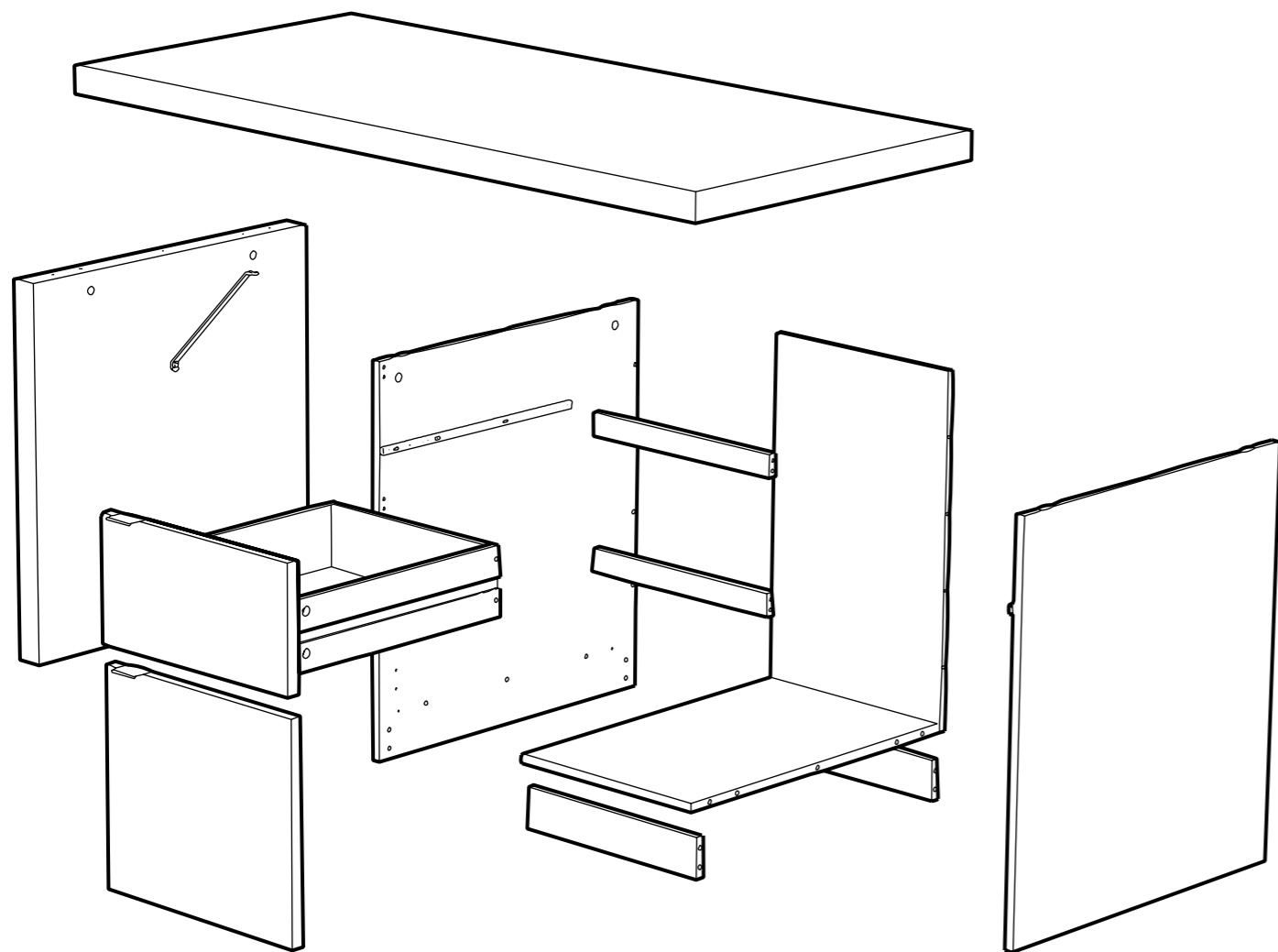
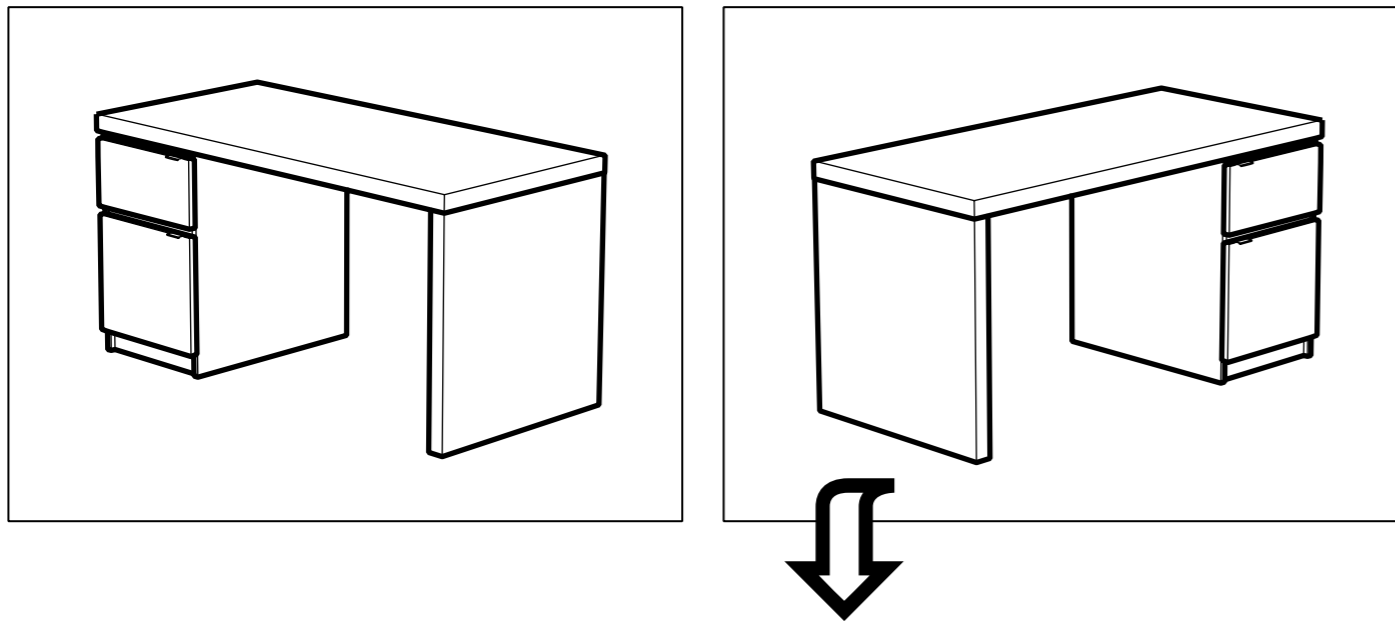


- 
 101356
 9x
- 
 101350
 22x
- 
 101345
 8x
- 
 112996
 8x
- 
 114613
 6x
- 
 103430
 10x
- 
 110519
 4x
- 
 100395
 2x
- 
 109535
 4x
- 
 114311
 2x
- 
 103114
 4x

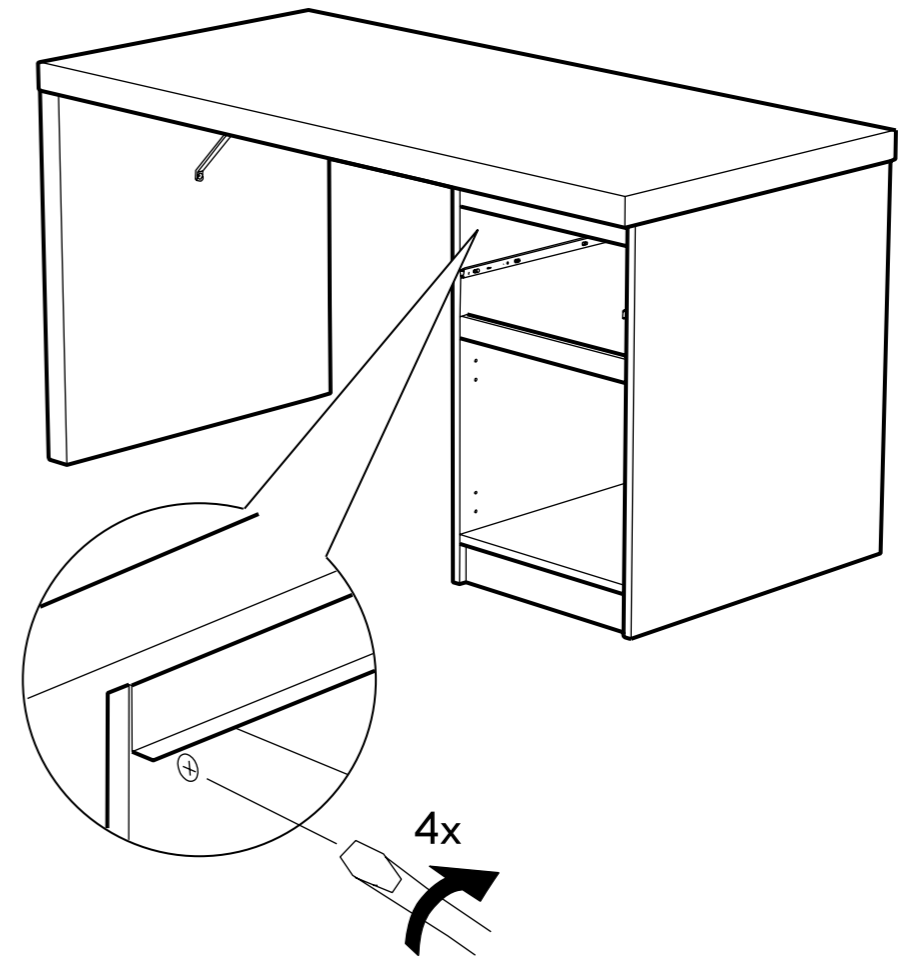
18



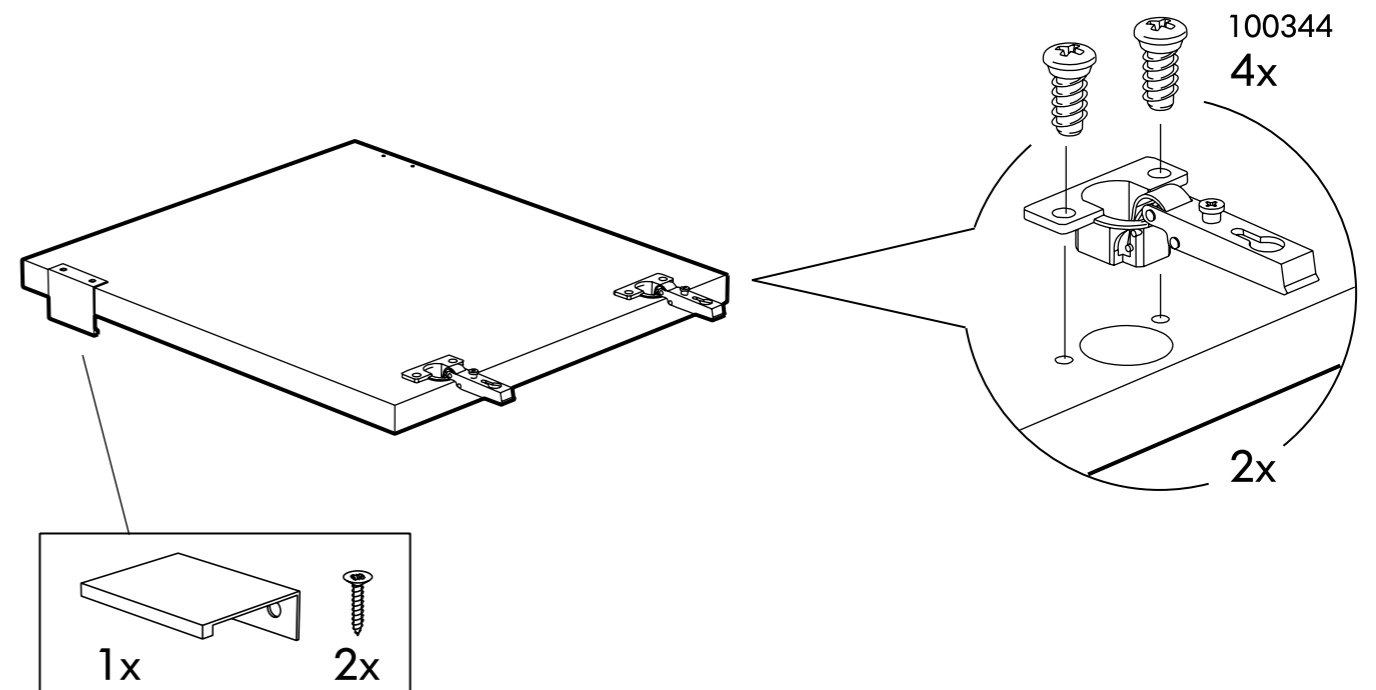
- 
 109336
 2x
- 
 109221
 2x
- 
 100344
 8x
- 
 102372
 6x
- 
 104130
 2x
- 
 108462
 6x
- 
 103160
 1x
- 
 106623
 2x



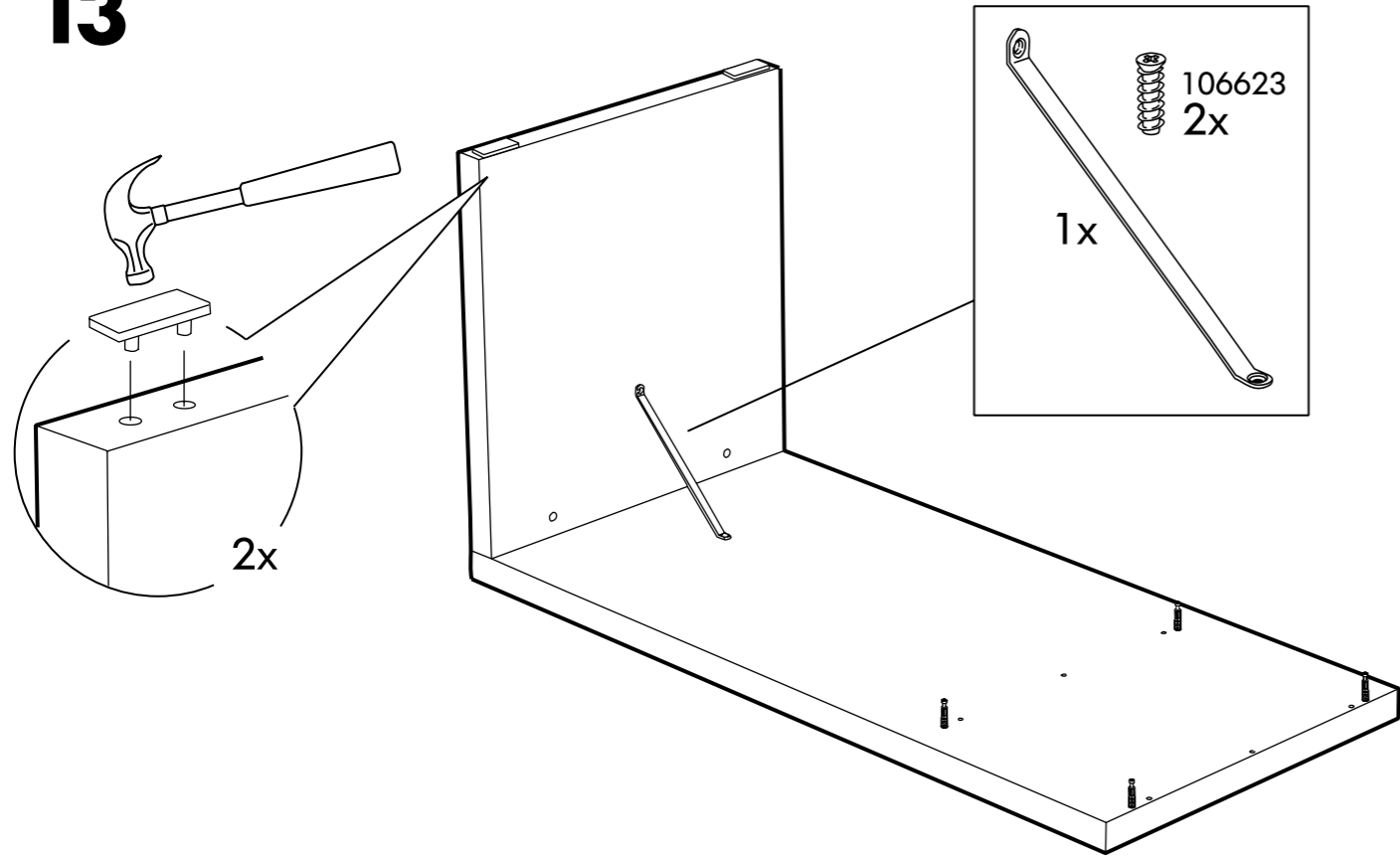
15



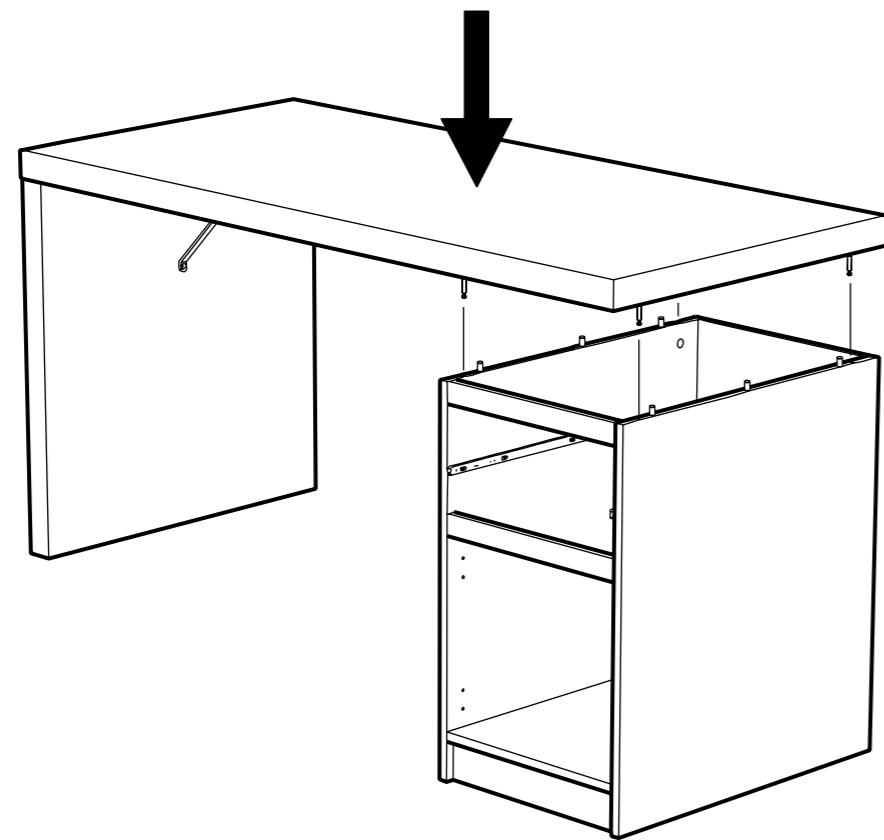
16



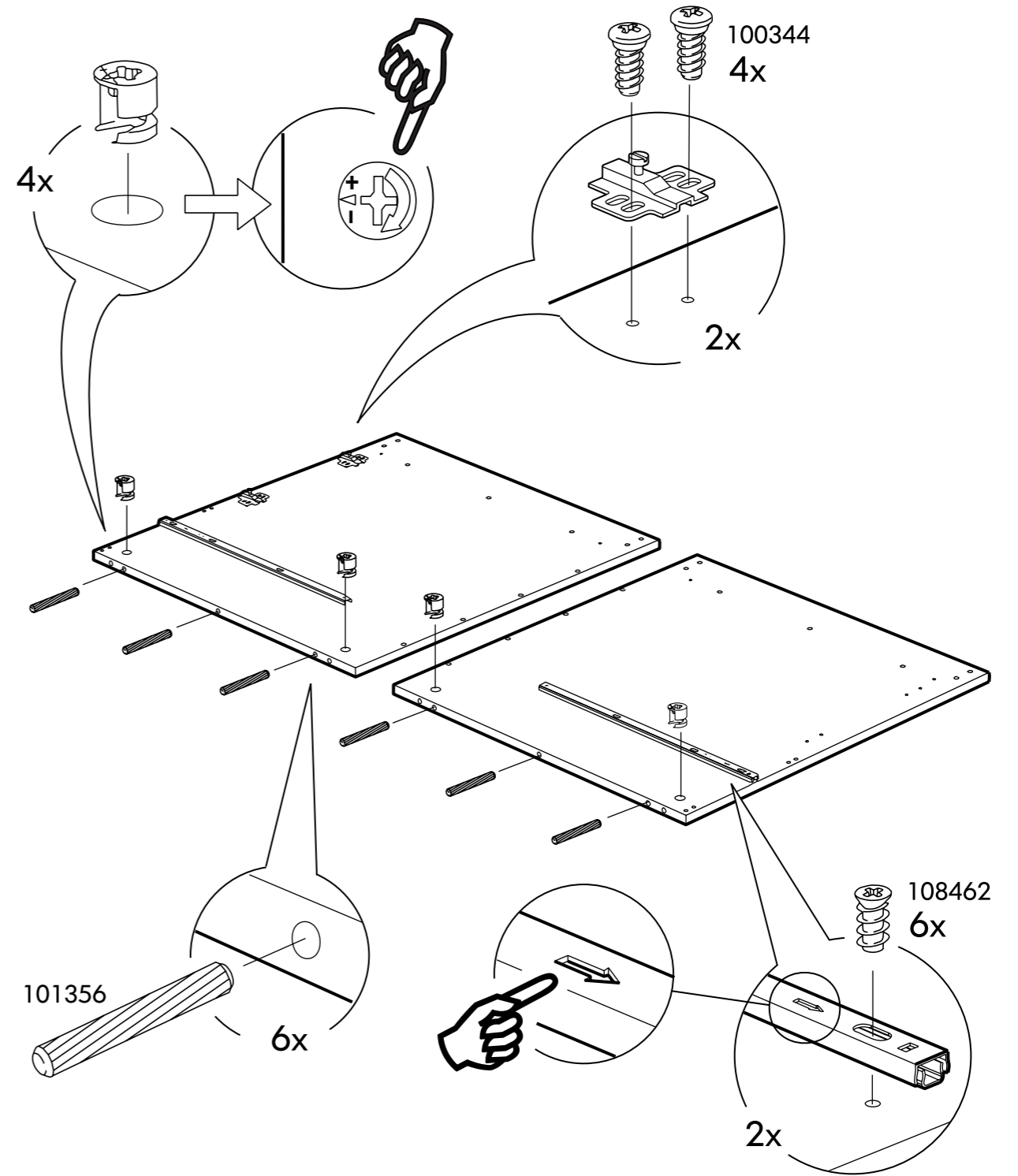
13



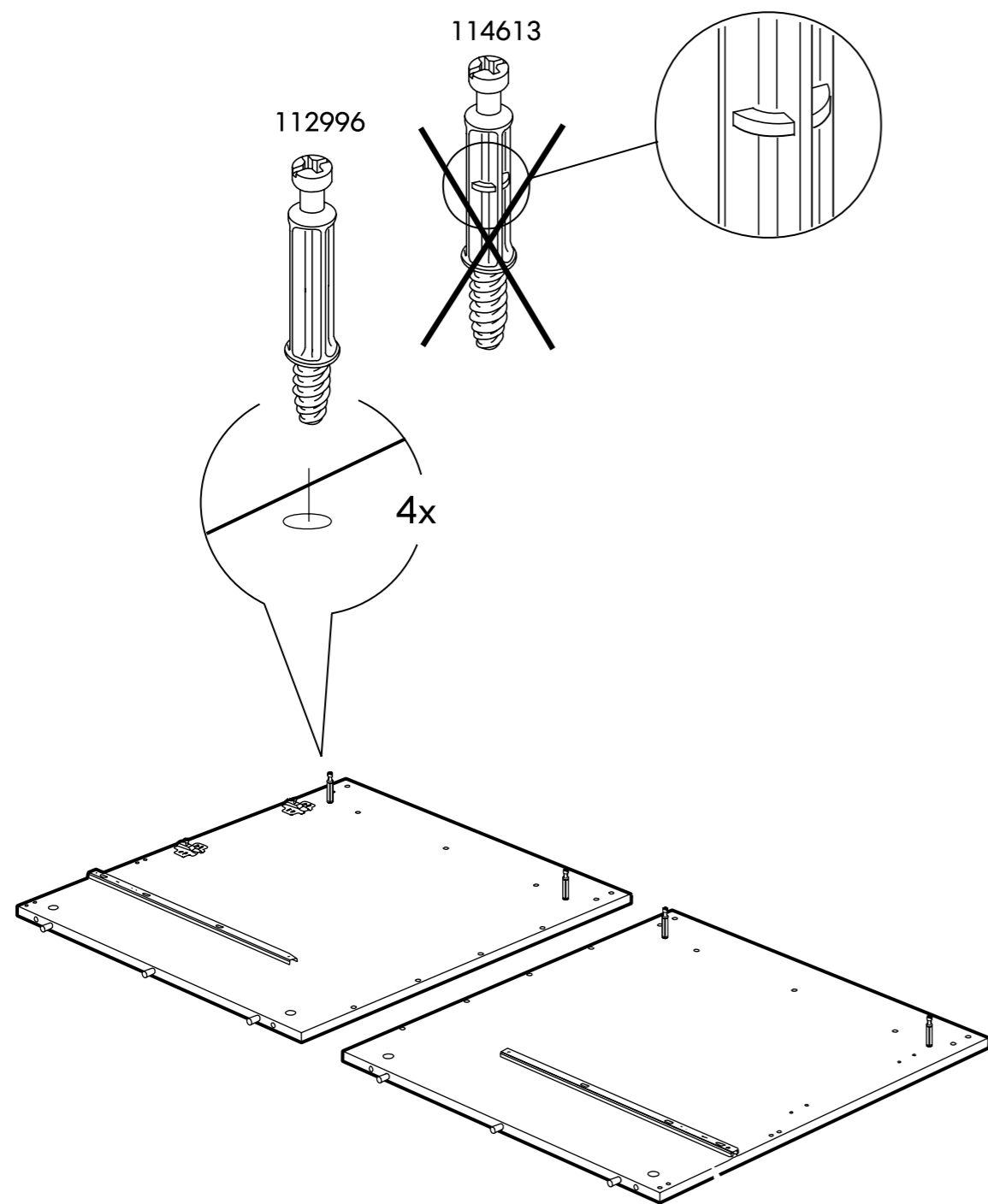
14



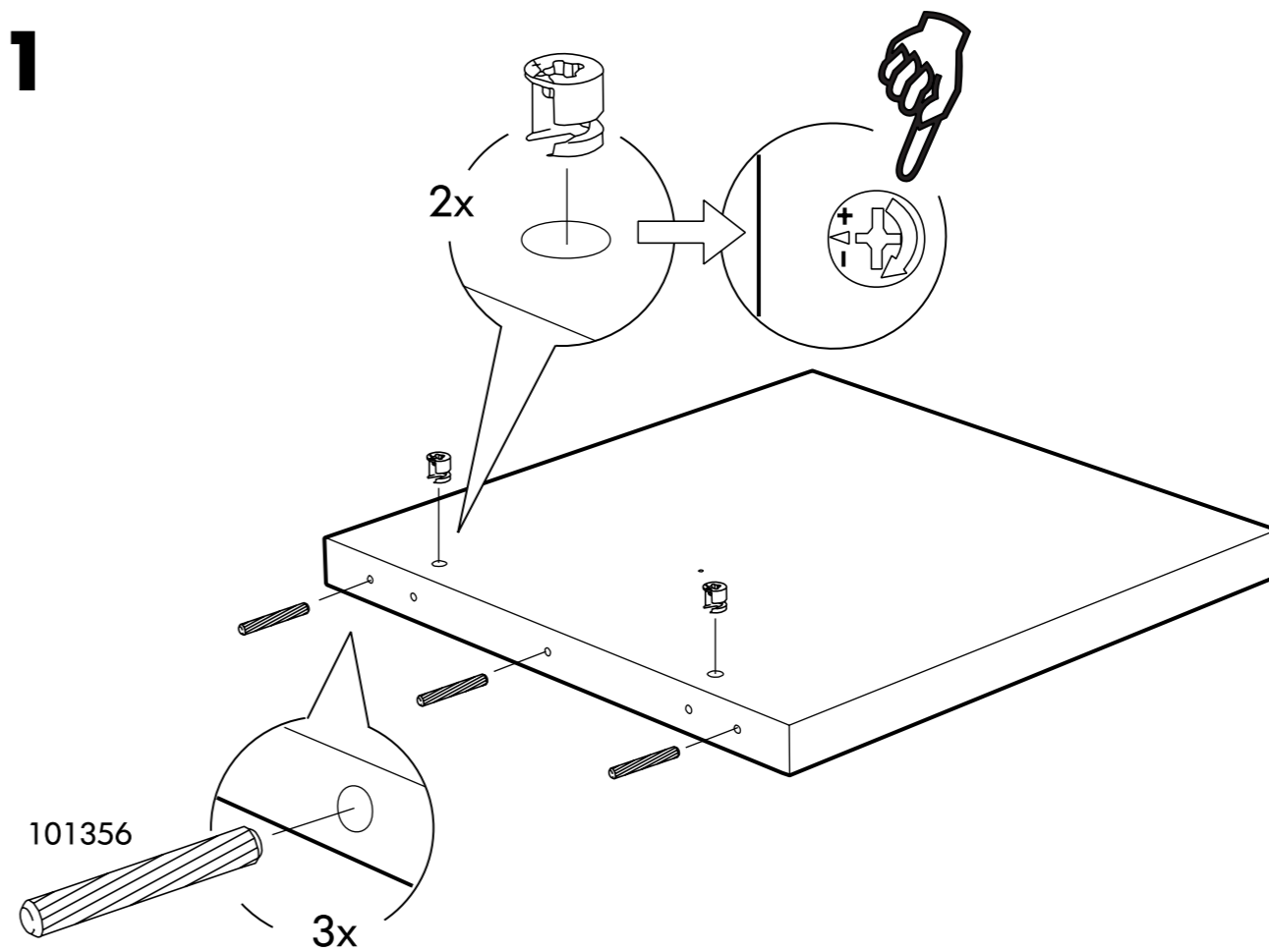
1



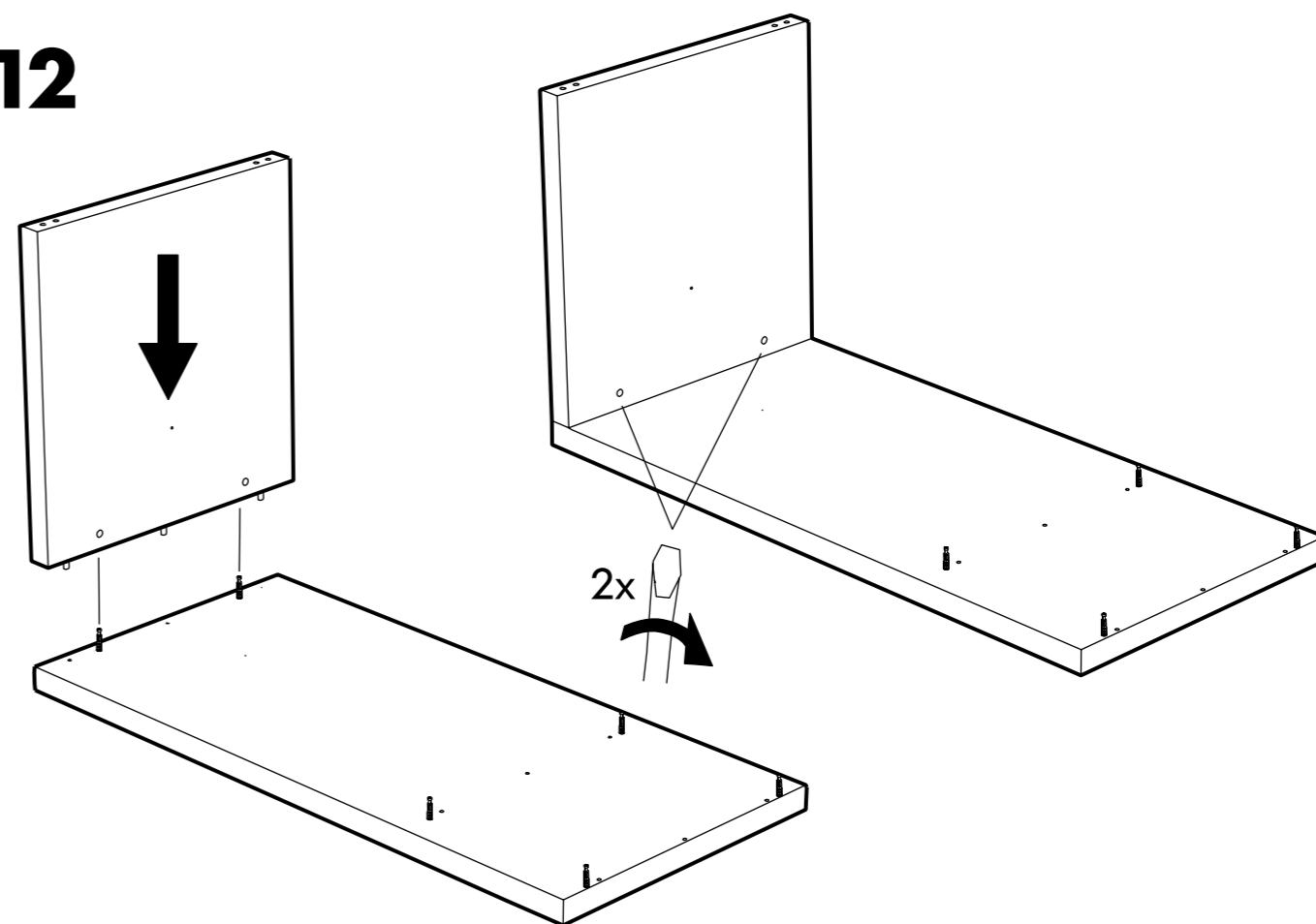
2



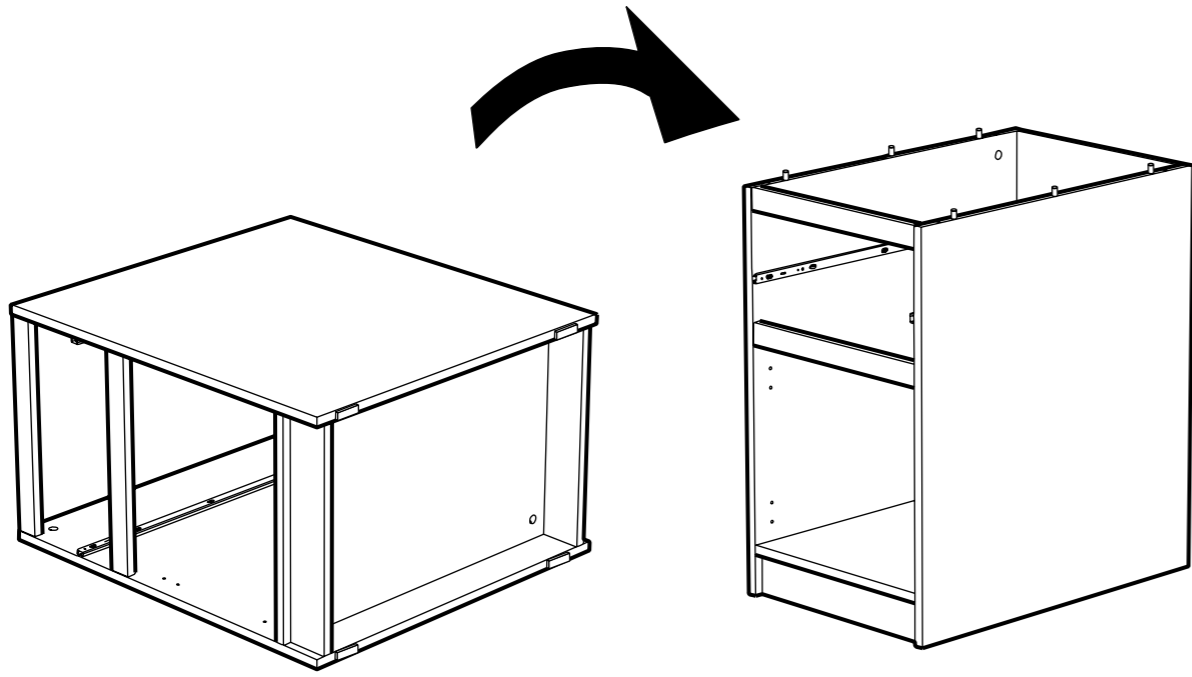
11



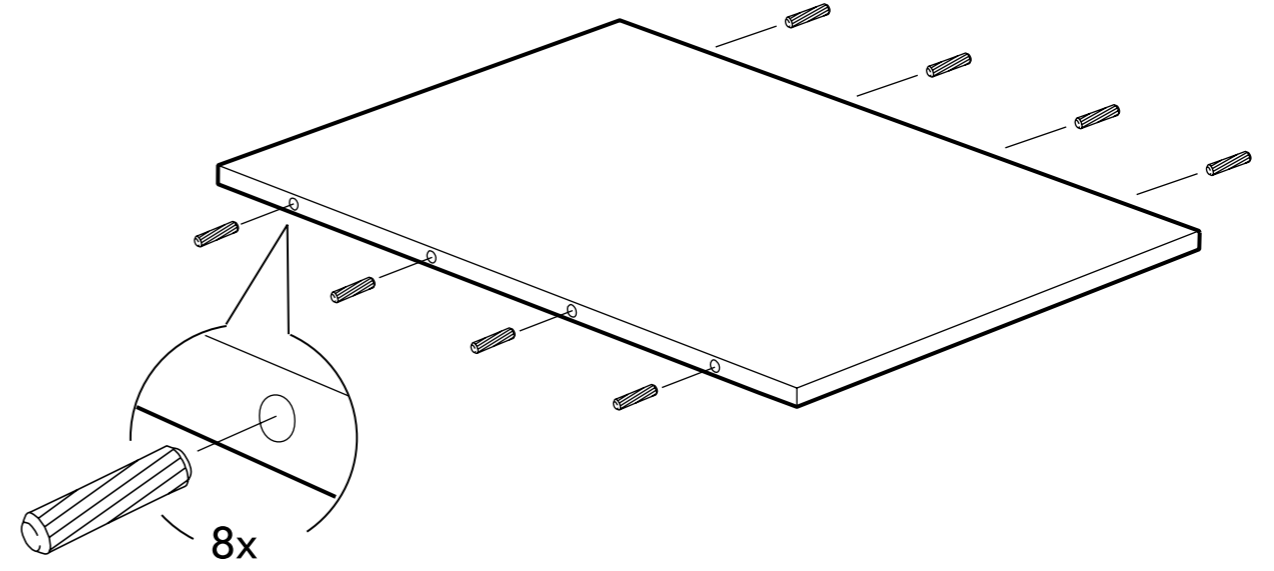
12



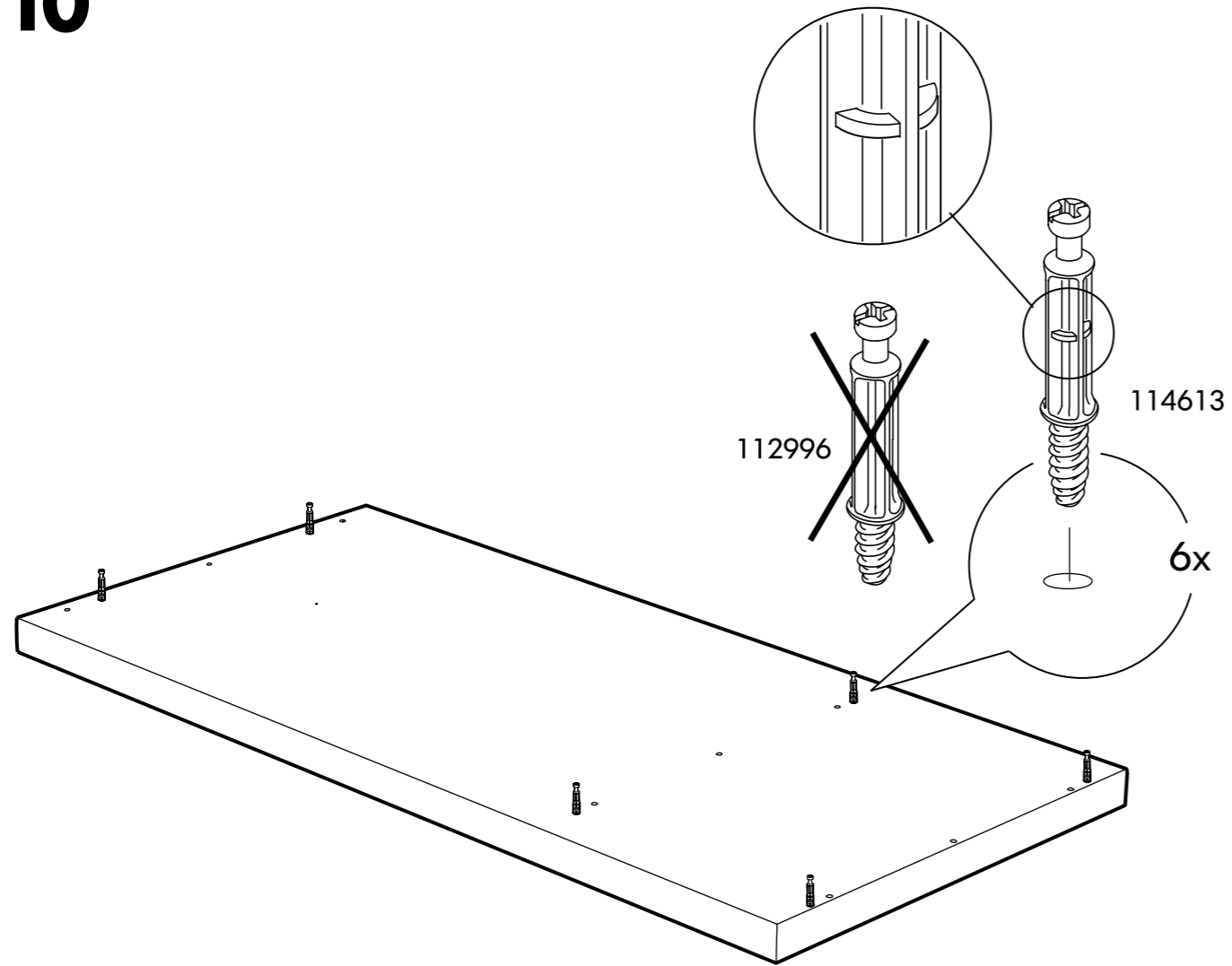
9



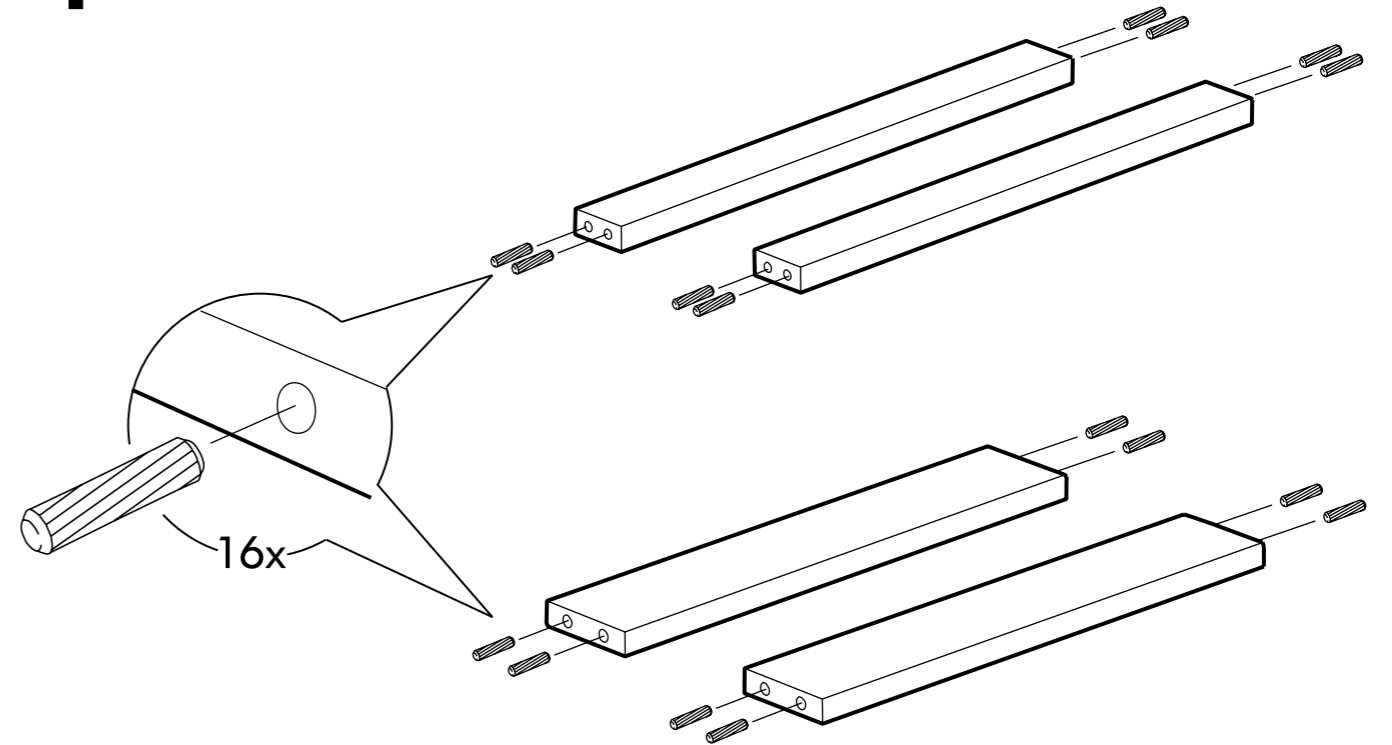
3



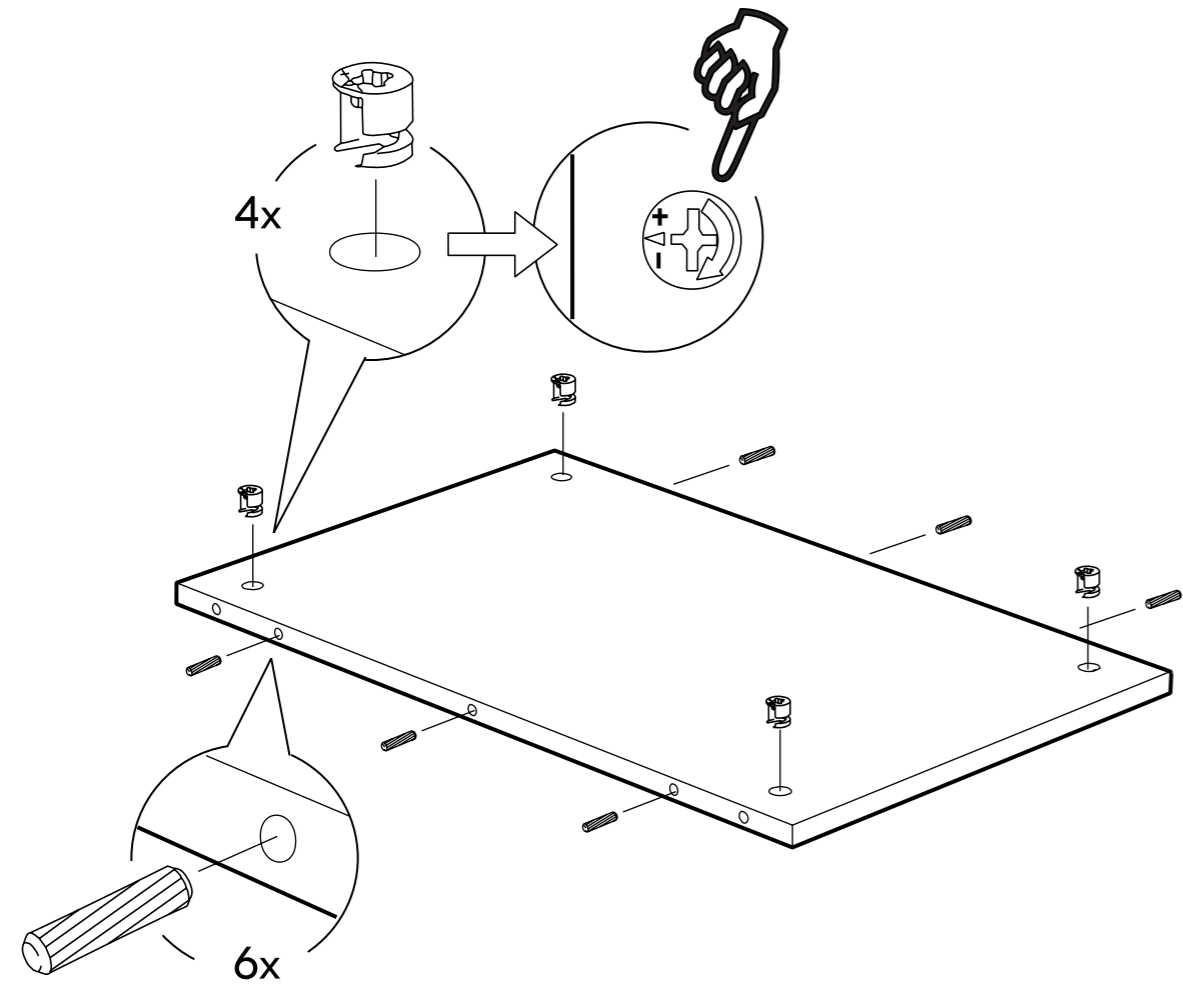
10



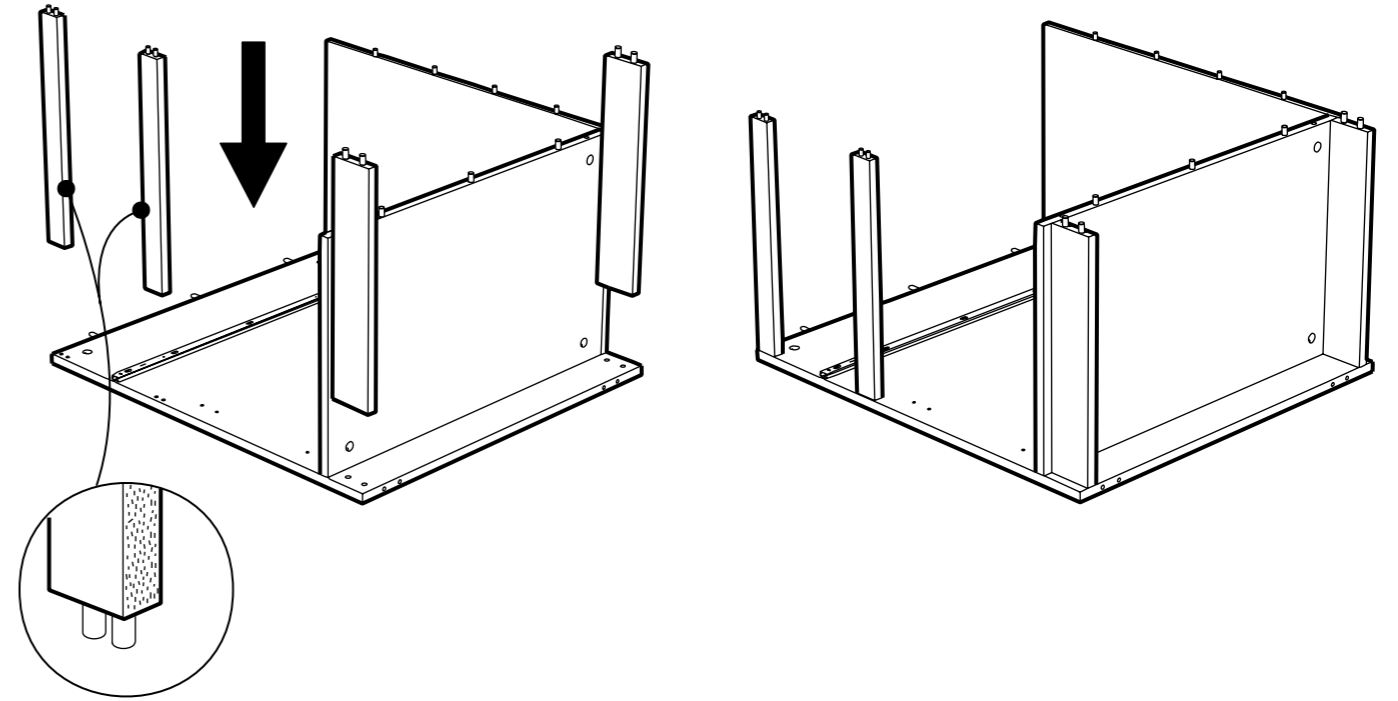
4



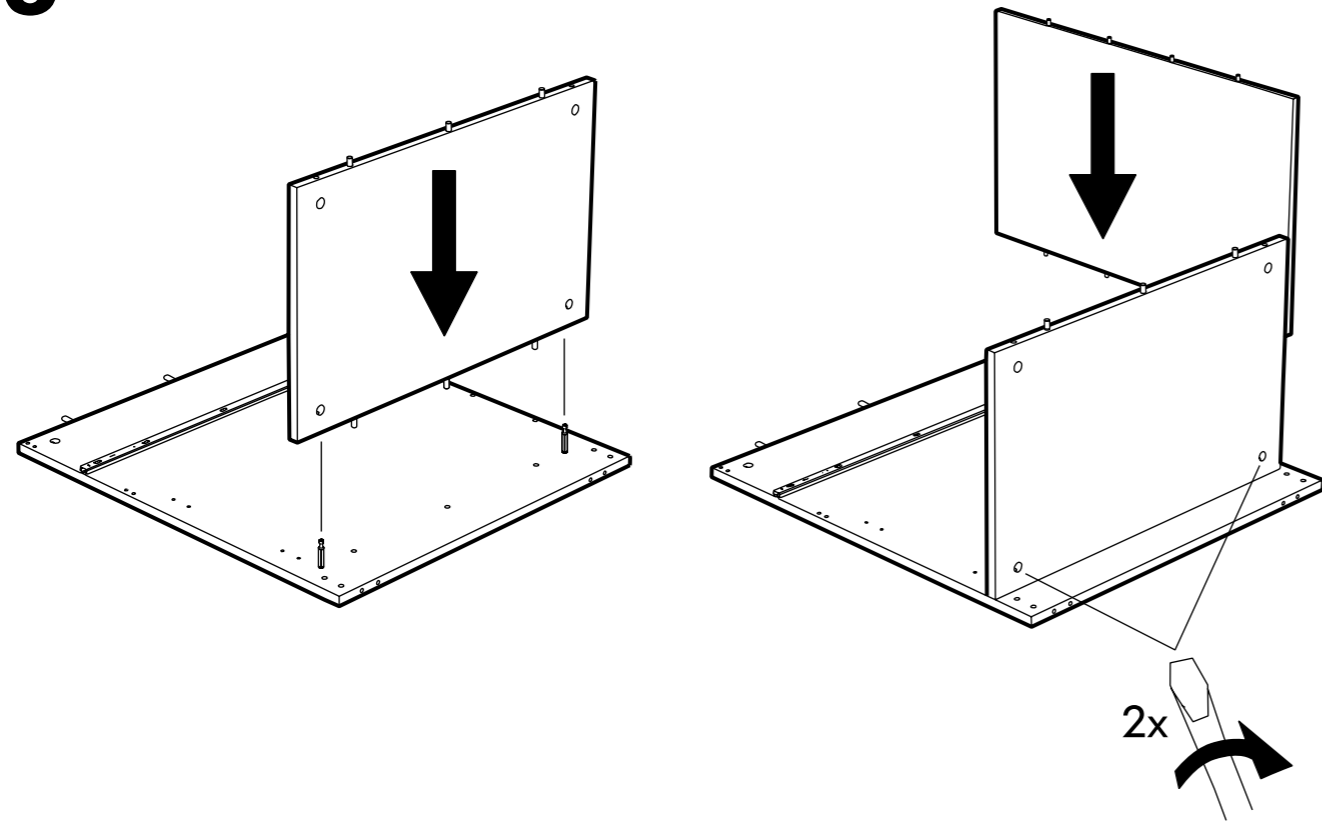
5



7



6



8

