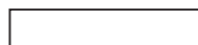
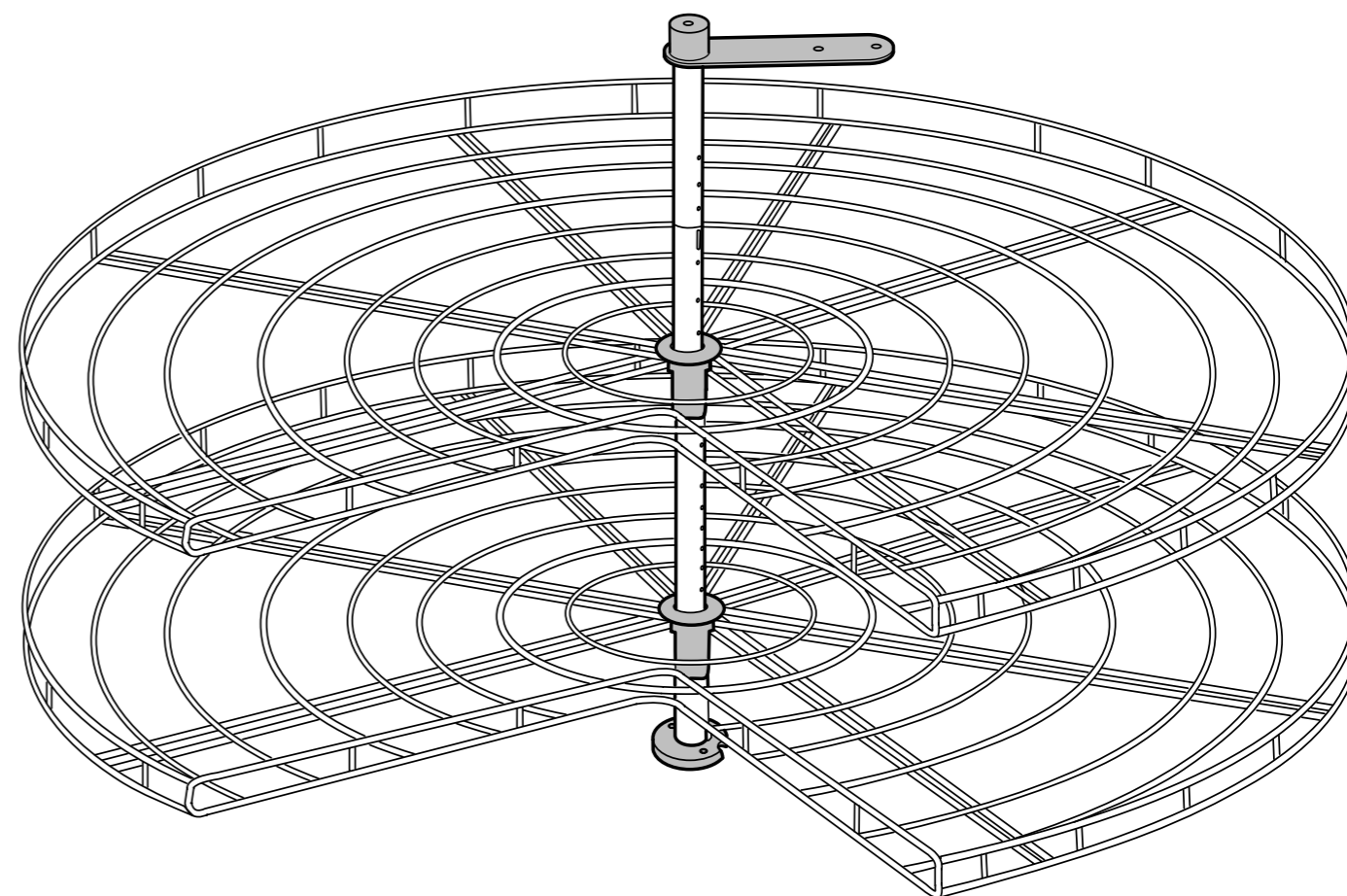
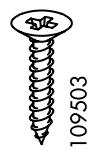
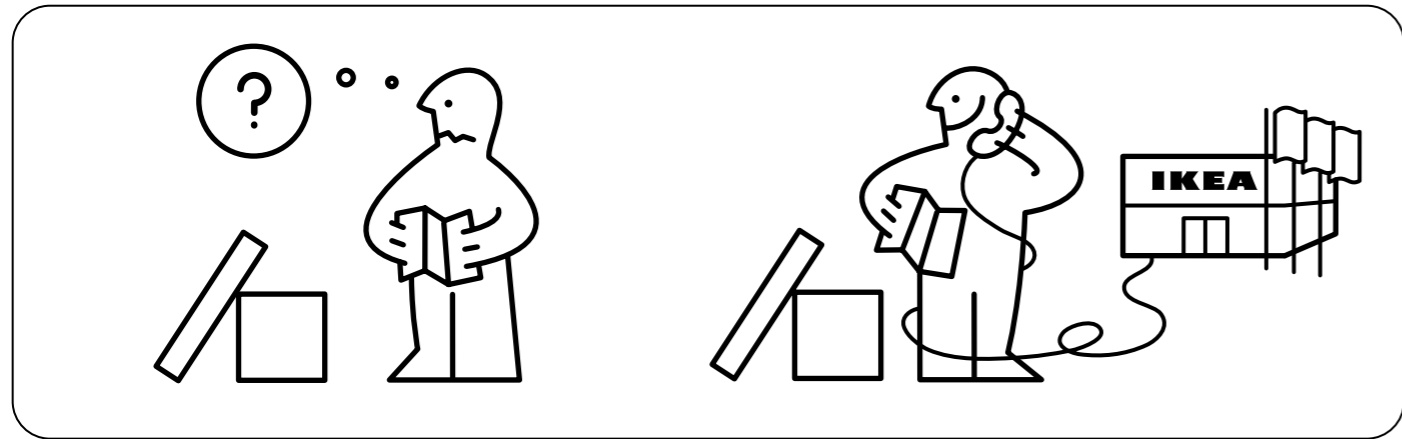
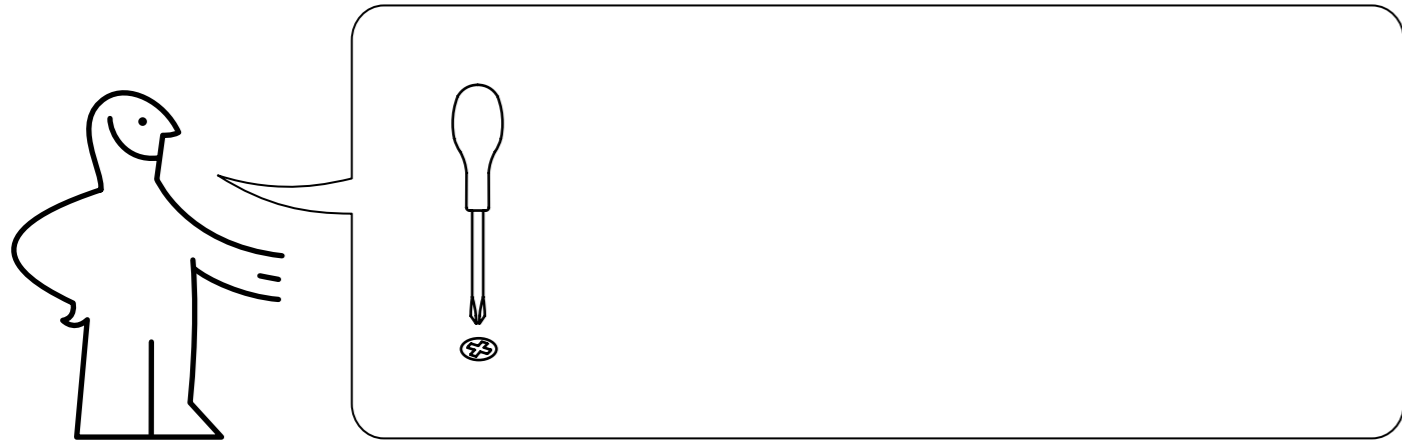
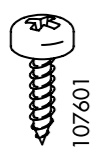


# RATIONELL

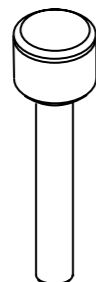




5x

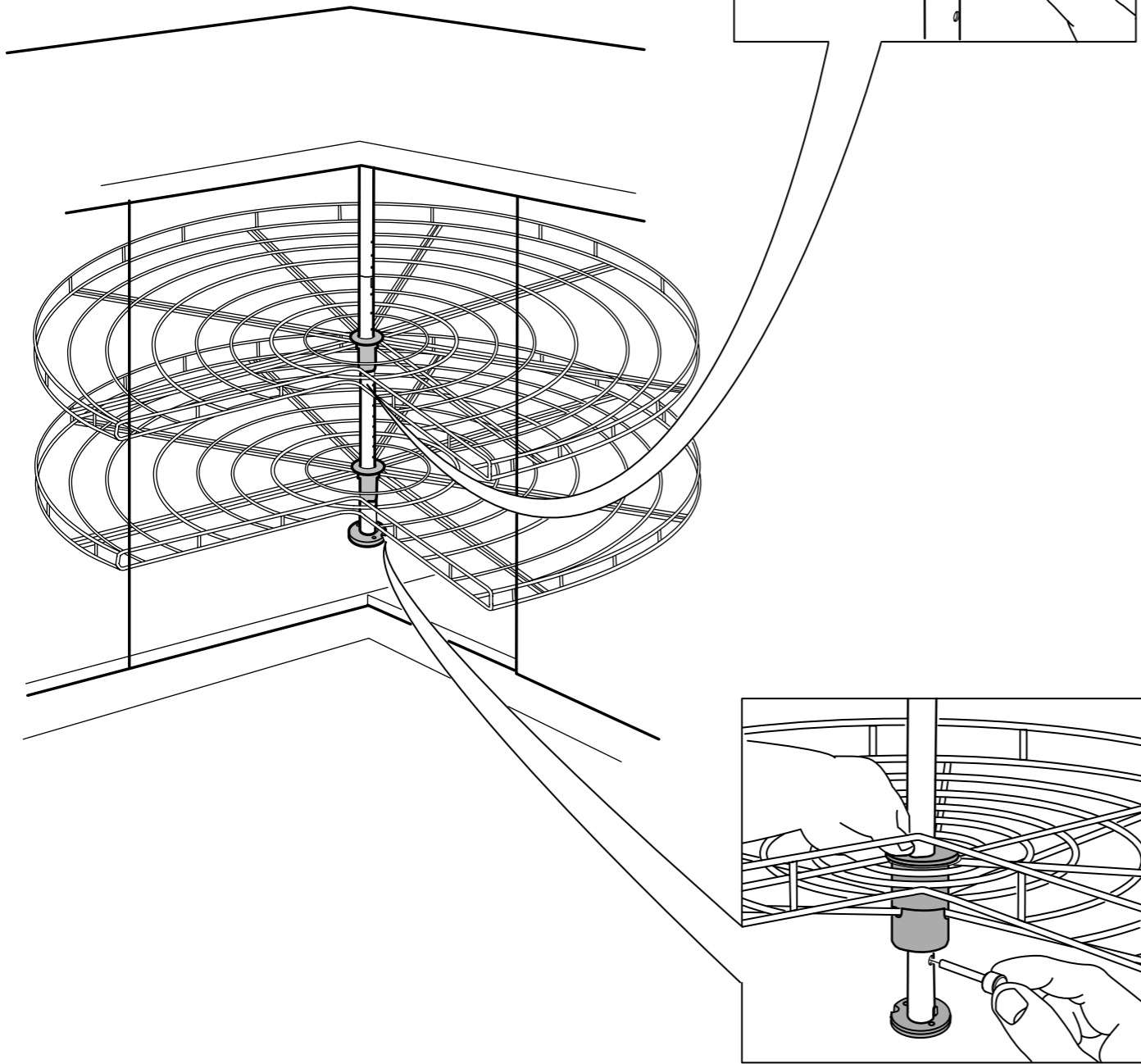


1x

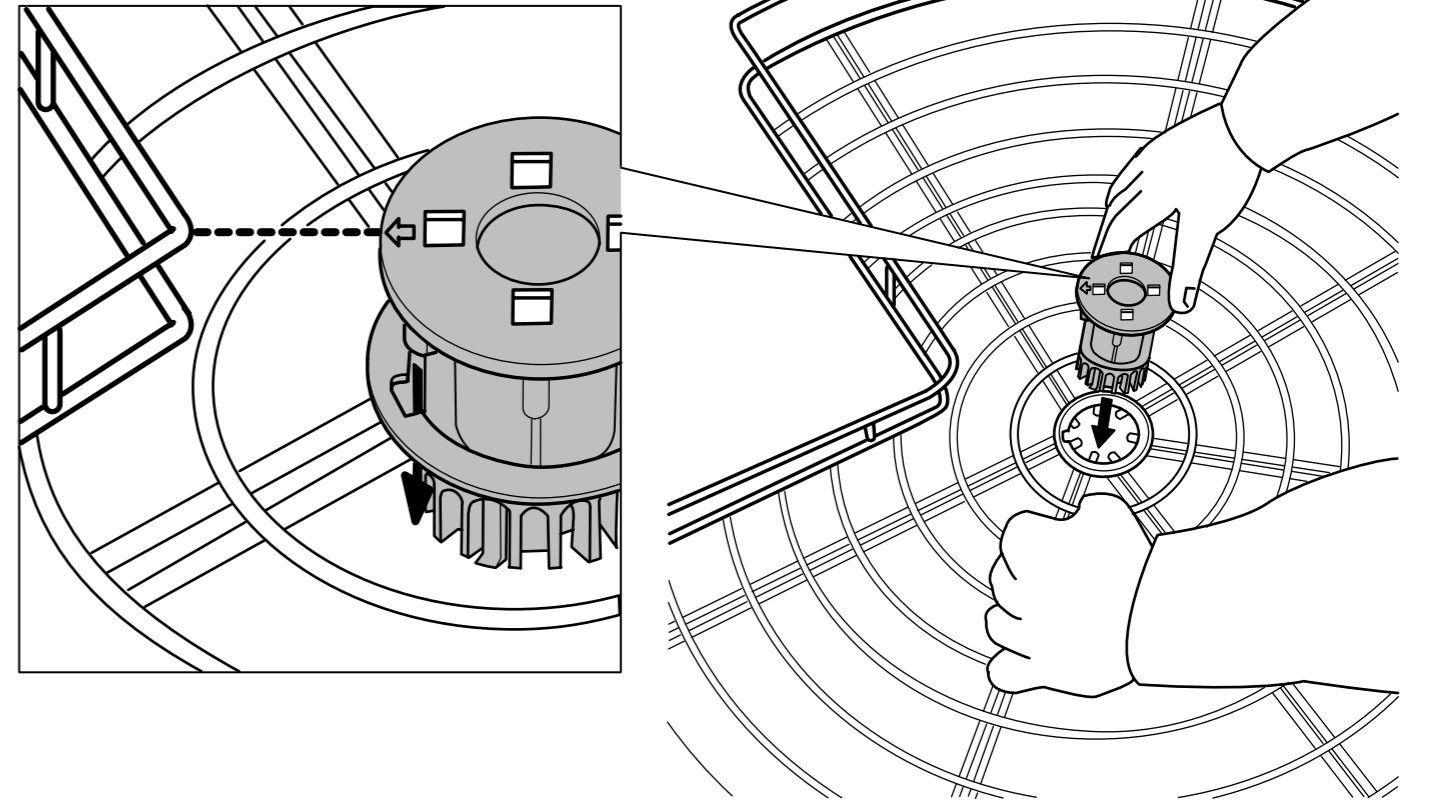


2x

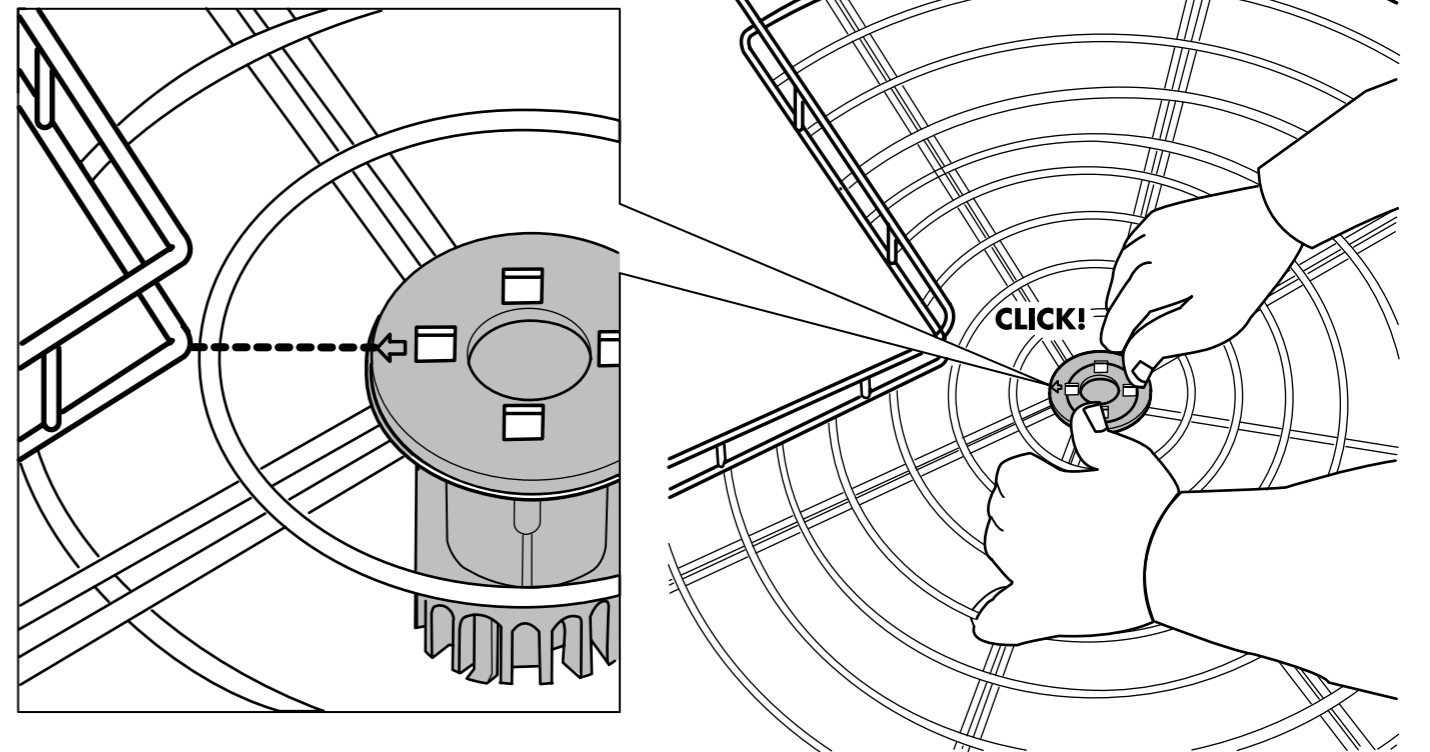
10



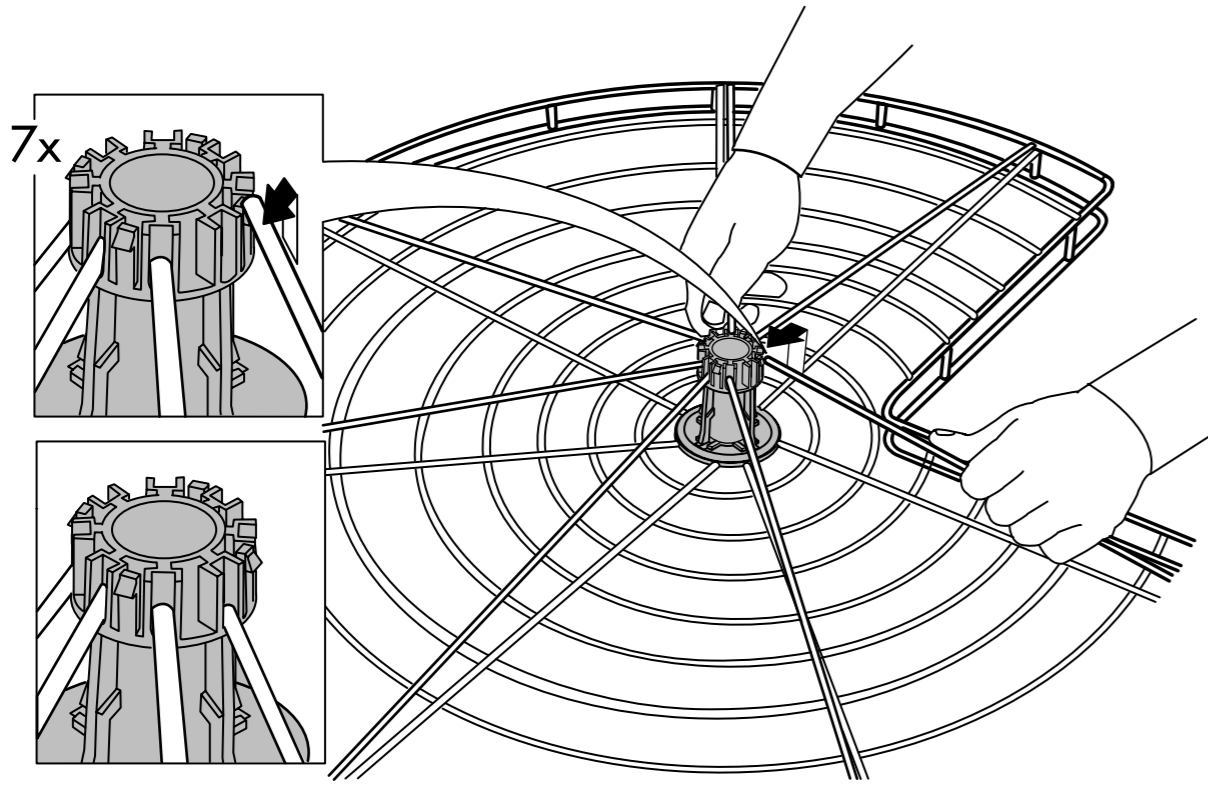
1



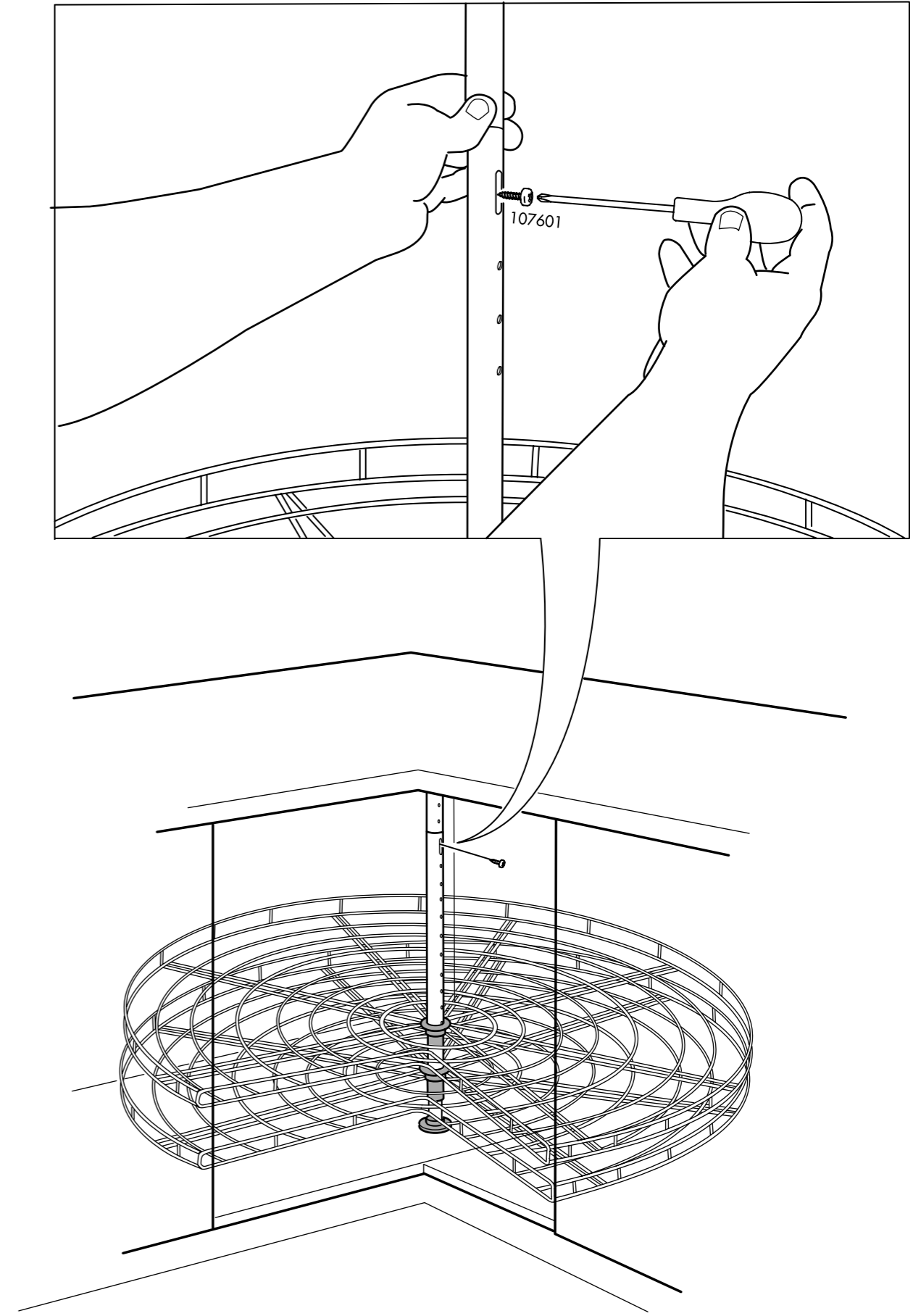
2



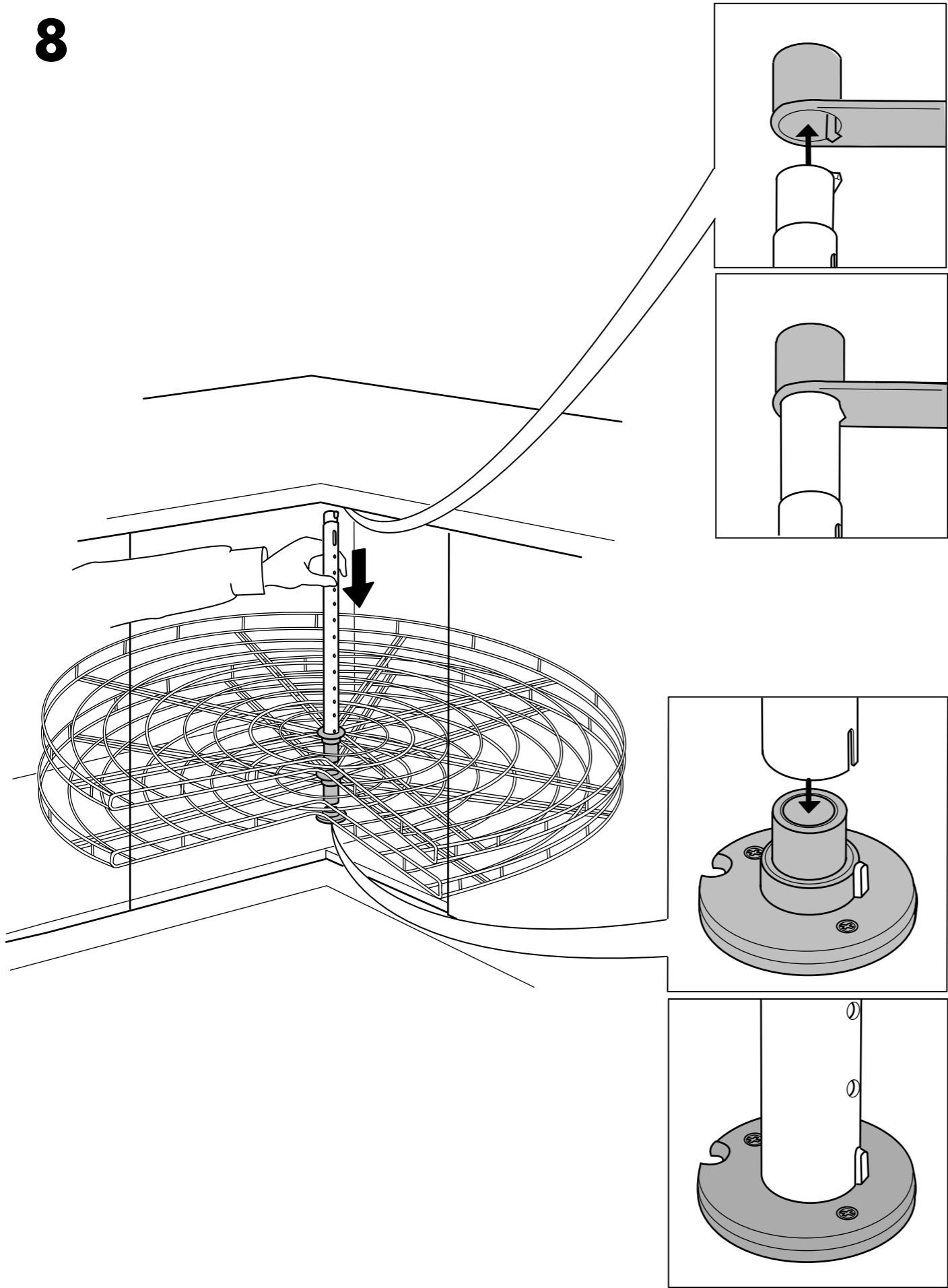
3



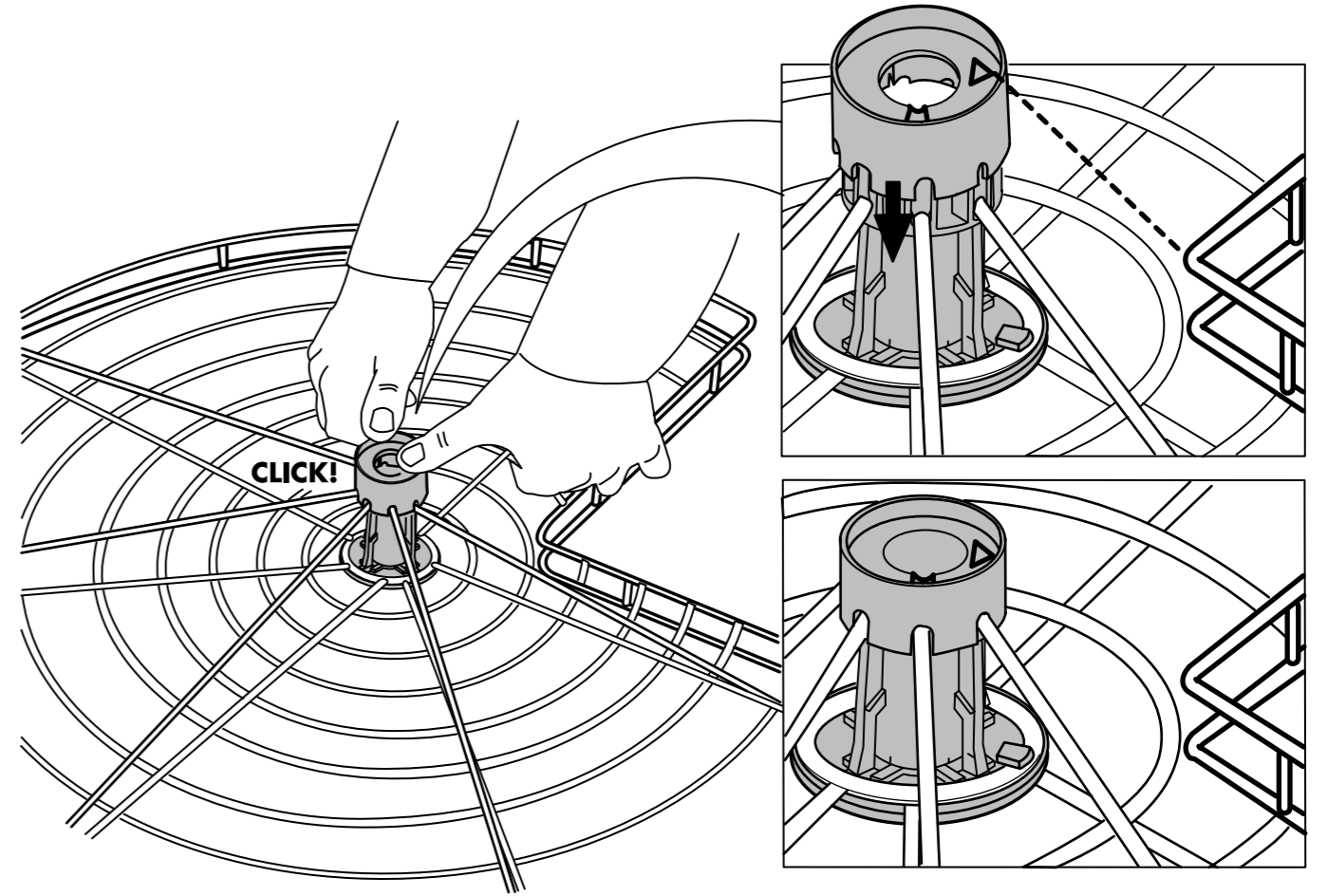
9



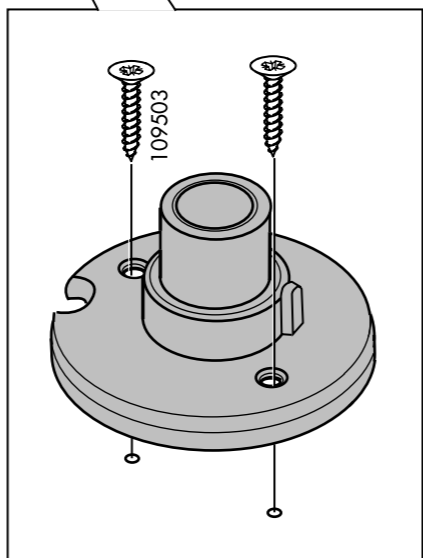
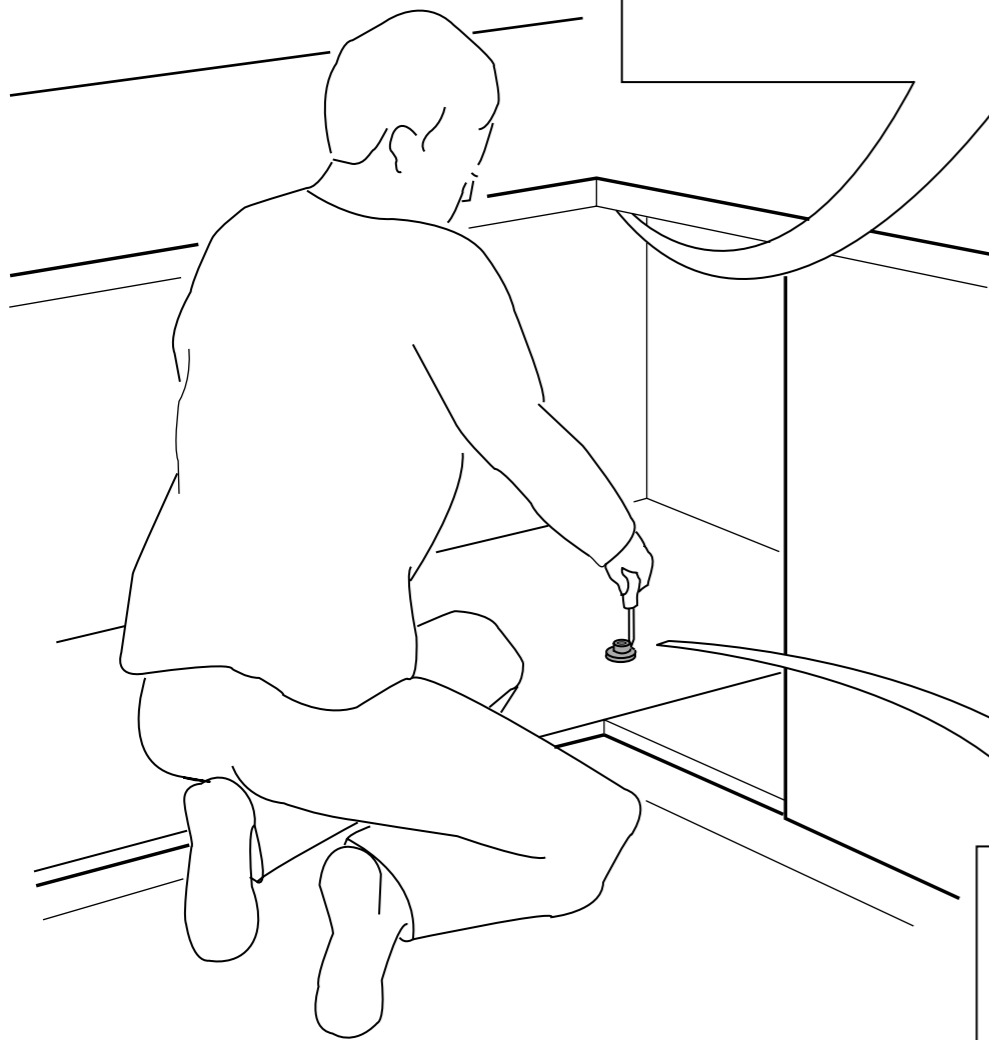
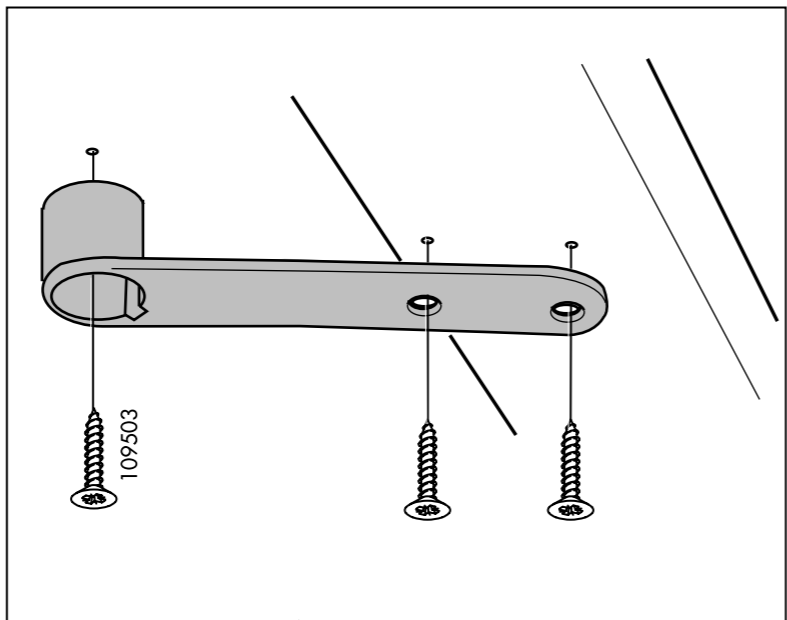
8



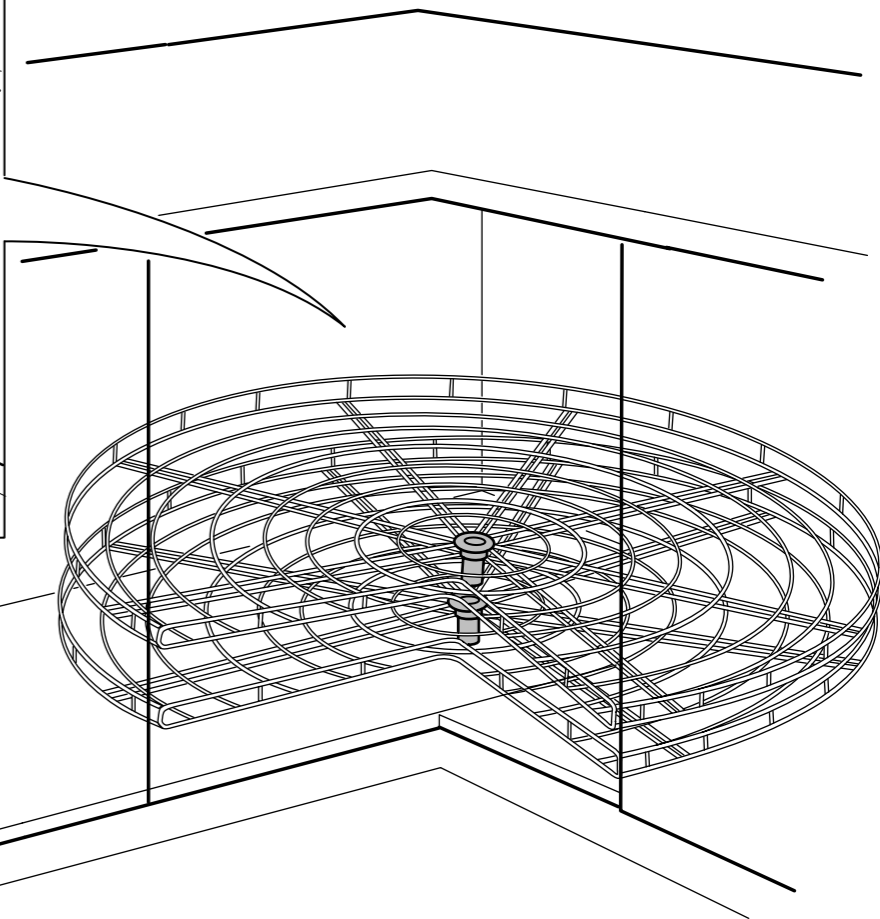
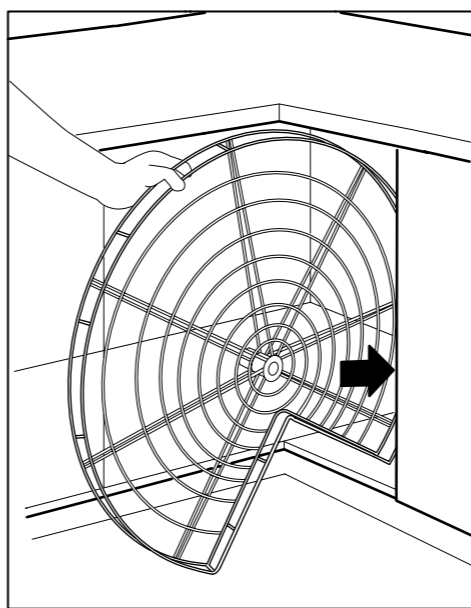
4



5



6



7

