

InfiNet Wireless R5000

Technical User Manual

Revision date: **6 February 2012**

OS Version: **v1.83**

Legal Rights

© Copyright 2011 InfiNet Wireless. All rights reserved.

The information contained in this document is originated by, proprietary, confidential and owned by InfiNet Wireless. No part of this document should be disclosed, reproduced or distributed without the express written permission of InfiNet Wireless Ltd.

InfiNet Wireless Ltd. reserves the right to change the information contained in this document without prior notice. No part of this document may be considered as a part of any contract or warranty.

Statement of Conditions

The information contained in this manual is subject to change without notice.

InfiNet Wireless Ltd. shall not be liable for errors contained herein or for incidental or consequential damages in connection with the furnishing, performance, or use of this manual or equipment supplied with it.

Disclaimer

The software is sold on an "AS IS" basis. InfiNet Wireless, its affiliates or its licensors make no warranties, whatsoever, whether express or implied, with respect to the software and the accompanying documentation. InfiNet Wireless specifically disclaims all implied warranties of merchantability and fitness for a particular purpose and non-infringement with respect to the software. Units of product (including all the software) delivered to purchaser hereunder are not fault_ tolerant and are not designed, manufactured or intended for use or resale in applications where the failure, malfunction or inaccuracy of products carries a risk of death or bodily injury or severe physical or environmental damage ("high risk activities"). High risk activities may include, but are not limited to, use as part of on-line control systems in hazardous environments requiring fail-safe performance, such as in the operation of nuclear facilities, aircraft navigation or communication systems, air traffic control, life support machines, weapons systems or other applications representing a similar degree of potential hazard. InfiNet wireless specifically disclaims any express or implied warranty of fitness for high risk activities.

InfiNet Wireless hereby declares that R5000-Om, R5000-Mm, R5000-Sm and R5000-Lm are in compliance with the essential requirements and other relevant provisions of Directive 1995/5/EC. The declaration of conformity may be consulted at

http://www.infinetwireless.com/products-technologies/type-approval-certificates/DoC_RTTE.pdf

Indication of the countries

InfiNet Wireless equipment has no geographical limitations for selling and can be supplied to any country of the world.

Limitation of Liability

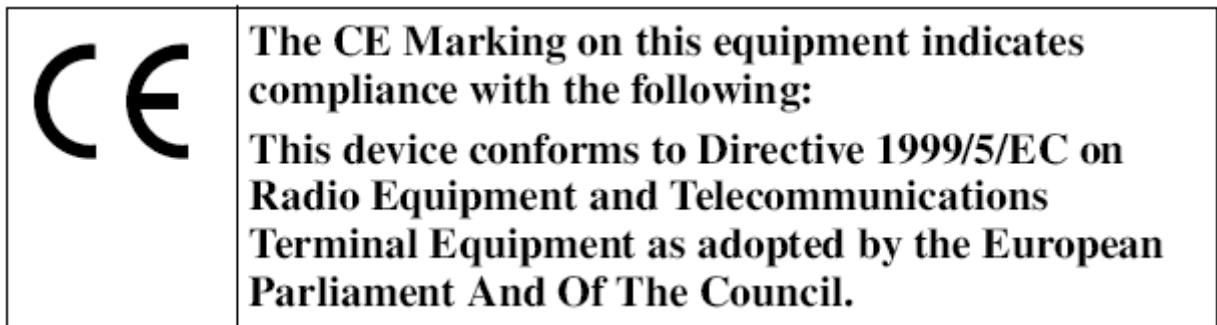
InfiNet Wireless shall not be liable to the purchaser or to any third party, for any loss of profits, loss of use, interruption of business or for any indirect, special, incidental, punitive or consequential damages of any kind, whether arising under breach of contract, tort (including negligence), strict liability or otherwise and whether based on this agreement or otherwise, even if advised of the possibility of such damages.

To the extent permitted by applicable law, in no event shall the liability for damages hereunder of InfiNet Wireless or its employees or agents exceed the purchase price paid for the product by purchaser, nor shall the aggregate liability for damages to all parties regarding any product exceed the purchase price paid for that product by that party (except in the case of a breach of a party's confidentiality obligations).

International Regulatory Information

This equipment has been tested and found to comply with the limits for a Class B digital device

Hereby, InfiNet Wireless declares that this equipment is in compliance with the essential requirements and other relevant provisions of Directive 1999/5/EC.



This equipment has been tested and found to comply with the limits for a Class A digital device, pursuant to part 15 of the FCC Rules. These limits are designed to provide reasonable protection against harmful interference in a residential installation. This equipment generates, uses and can radiate radio frequency energy and, if not installed and used in accordance with the instructions, may cause harmful interference to radio communications.

Important statements

Changes or modifications not expressly approved by the party responsible for compliance could void the user's authority to operate the equipment.

This equipment complies with the FCC RF radiation exposure limits set forth for an uncontrolled environment. This equipment should be installed and operated outdoor with a minimum distance of 2 meters between the radiator and the human body.

Operation is subject to the following two conditions: (1) this device may not cause interference, and (2) this device must accept any interference, including interference that may cause undesired operation of the device.

R5000-Mmx/36.300.2x200.2x22 and R5000-Smc/36.300.2x200.2x22 are designed to operate in point-to-point only.

R5000-Mmxb/36.300.2x200.2x14 is designed to operate in point-to-multipoint.

The above mentioned units can only be used with integrated antennas supplied as a part of the unit.

Table of contents

I. GETTING STARTED	4
1. Scope of document	4
<i>Getting started</i>	4
<i>Hardware description</i>	4
<i>Installation procedure</i>	4
<i>Device configuration procedure</i>	4
<i>Link configuring</i>	4
<i>Services, features and tools</i>	4
<i>Recommendations</i>	4
<i>Supplementary information</i>	5
2. General products description	5
3. Abbreviations	6
4. Document marks	6
5. Additional information	6
II. HARDWARE DESCRIPTION	7
1. Power supply units (IDU)	7
<i>IDU-CPE</i>	7
<i>IDU-BS/IDU-BS-G</i>	9
<i>Injector IDU-LA</i>	11
<i>IDU with E1/T1 ports</i>	13
2. Outdoor Units (ODU)	16
<i>InfiNet Wireless R5000-Omx and R5000-Lm/Lmc</i>	16
<i>InfiNet Wireless R5000-Mmx and R5000-Sm/Smc</i>	17
<i>ODU LED indicators description</i>	18
III. INSTALLATION PROCEDURE	19
1. Installation preparations	19
<i>Required components and accessories</i>	19
<i>Antenna placement</i>	19
<i>Antenna poles usage</i>	20
<i>Poles with Stretching</i>	20
<i>Wall Mounted Pole</i>	20
<i>Antenna Poles Requirements</i>	20
<i>Grounding</i>	20
<i>Grounding when using IDU-LA</i>	22
<i>Antenna alignment</i>	23
<i>Precaution measures</i>	23
<i>Service cable soldering procedure</i>	25
<i>Tools to be available at the installation site</i>	27

2.	InfiNet Wireless R5000-O/Om/Ow	28
	<i>Installation guidelines</i>	28
3.	InfiNet Wireless R5000-L/Lm	30
	<i>Installation guidelines</i>	30
4.	InfiNet Wireless R5000-M/Mm and R5000-S/Sm	32
	<i>Installation guidelines</i>	32
5.	Mounting kit (MOUNT-KIT-85)	33
	<i>General view</i>	33
	<i>Assembly</i>	34
	<i>Possible variants of the installation</i>	35
IV.	BASIC CONFIGURATION INSTRUCTIONS	36
1.	Initial settings configuration procedure	36
2.	Device interfaces	36
3.	Command line interface (CLI)	37
4.	Lost password recovery	37
5.	Configuration manipulations.....	39
	<i>Printing and saving your configuration</i>	39
	<i>Import/export</i>	40
	<i>New firmware uploading</i>	40
6.	IP address formats.....	40
7.	Ethernet interface configuration	41
8.	Radio interface configuration	41
9.	Wi-Fi AP interface configuration	42
10.	Network topology setup.....	43
V.	LINK CONFIGURING	44
1.	Preliminary decisions.....	44
	<i>Bitrate selection</i>	44
	<i>Frequency planning for multi-sectored Base Stations</i>	44
	<i>Transmitting power selection</i>	44
	<i>Range/Bitrate calculation</i>	44
2.	Link diagnostic tools.....	45
	<i>Ltest</i>	45
	<i>Muffer</i>	48
	<i>Load Meter</i>	51
	<i>Acquiring interfaces statistics</i>	51
	<i>InfiNet Wireless RapidView-1</i>	52
VI.	CONFIGURATION VIA WEB-INTERFACE	56
1.	Overall functionality overview	56
2.	Run Requirements	56
3.	Localization	56

4. Basic settings	57
<i>System Settings</i>	57
<i>Radio Settings</i>	58
<i>Network Settings</i>	60
<i>Link Settings</i>	62
<i>Fixed Links</i>	63
<i>MAC Switch</i>	64
<i>IP Firewall</i>	66
<i>SNMP</i>	66
<i>QoS Options</i>	69
5. Device Status	70
<i>Extended Link Diagnostic</i>	71
<i>Extended Interface Statistics</i>	77
6. Maintenance	79
7. Spectrum Analyzer	80
8. Command line emulation	82
VII. RECOMMENDATIONS	83
1. Using InfiNet devices for High Bitrates	83
2. Design of Multi-sectored Base Stations	83
3. Asymmetrical System Design	83
4. «Bad subscriber» problem	84
5. TDM transmission	84
VIII. SUPPLEMENTARY INFORMATION	85
1. Connectors soldering schemes	85
<i>“RJ-45” service cable connector soldering scheme</i>	85
<i>Console cable connector soldering scheme</i>	86
<i>“E1” Jack soldering scheme</i>	87

I. Getting Started

This Technical User Manual contains the description of InfiNet Wireless equipment including installation and configuration guidelines, recommendations and troubleshooting sections, supplementary materials. The document is intended to be used by Qualified RF engineers/technicians and IT professionals. Qualified personnel should have skills and experience in the following areas:

- Outdoor/indoor radio equipment installation
- Outdoor wireless networks
- TCP/IP networking protocols
- Safety procedures and instructions for installing antenna equipment
- Professional manage of electrical equipment and accessories
- Safety procedures and instructions for working on towers and heights

1. Scope of document

This document consists of the following chapters:

Getting started

This chapter includes the information about this document purpose and structure.

Hardware description

This chapter shows the devices appearance and all plugs and connectors.

Installation procedure

The chapter describes the steps to be taken when installing the equipment at the installation sites and installation site requirements.

Device configuration procedure

This chapter includes basic recommendations for primary link configuration, including interfaces configuration and MINT protocol usage. Also there is a description of how to perform basic manipulations with device's configuration including its updating, importing and exporting.

Link configuring

The chapter contains basic recommendations for making preliminary choices and decisions while planning and deploying a wireless network based on InfiNet Wireless Devices. It also describes a set of tools that can help while improving the link quality and statistics gathering.

Services, features and tools

This chapter describes device's built-in services, features and tools which were not described in previous parts of the document

Recommendations

The chapter contains different recommendations for some particular cases of InfiNet Wireless devices usage including building high-speed autonomous links and multi-sectored base station design.

Supplementary information

The chapter contains supplementary information (specifications, connectors soldering schemes and InfiNet Wireless products matrix).

2. General products description

InfiNet Wireless products offer scalable, robust, flexible and cost-effective broadband wireless access solutions for carrier-class networks. Wireless routing equipment from InfiNet Wireless is designed to implement and expand carrier-class networks for high-speed Internet access, enterprise campus networks, primary links for the Last Mile and backhauling traffic between cell towers and multiple access points.

InfiNet Wireless Devices are especially applicable to regions with complex wired infrastructures where infrastructure upgrades require costly or time-consuming activities. Many deployments have been accomplished in regions with a dearth of wired infrastructure where wireless solution is the only viable option for both voice and data networks. The deployment of InfiNet Wireless Devices minimizes both capital and operational investments for the creation of network infrastructure.

Key product features:

- Wide range of frequency bands
- Outstanding performance
- Powerful QoS capabilities
- Best-in-Industry networking feature set
- Flexible management
- Powerful integrated diagnostic tools

The InfiNet Wireless Devices can support flexible topologies including point-to-point links, point-to-multipoint links, MESH networks, high-speed transport connections (backbones) and relay-points building. They have been designed to prevent internal and external interference using such product features as software selectable transmit power control, static frequency selection, asymmetrical bit-rate/transmit power rates selection for base and subscriber units. In order to maintain link availability, solve the "hidden node" problem and reduce the collision rate, the product employs dynamic adaptive non-collision polling MAC protocol that dynamically redistributes data streams between active and inactive subscribers. Autobitrate mechanism is an optional powerful feature that provides link reliability in case of changing conditions on the path of the link.

The data network built on InfiNet Wireless products is implemented as a routed and switched IP network which reduces flooding and broadcast messages specific to bridged networks and to implementation of Quality-of-Service (QoS) features set. QoS definitions per subscriber's data flows are effectively mapped on MAC level flow attributes.

Each device in the network can be configured using serial console port, Telnet protocol, WEB-interface and NMS system.

RAPS (Remote Access Permission Service) provides a whole network with a flexible mechanism of a centralized management, configuration and monitoring.

The software/firmware is fully upgradeable for all InfiNet Wireless Devices. New firmware images can be downloaded from the Repository on the InfiNet Wireless support web-site <http://support.infinetwireless.com> for its further uploading on the device.

3. Abbreviations

The following abbreviations are used in this document:

- BS – Base Station
- CPE – Customer Premises Equipment (also called **subscriber** or **subscriber unit**)
- ODU – Outdoor Unit
- IDU – Indoor power supply Unit
- RF cable – Radio Frequency cable to connect ODU and antenna/Device and antenna for 5000-O and 5000-I modifications correspondingly
- LOS – Line-of-Sight
- STP cable – Shielded Twisted Pair cable (STP Cat5E) to connect ODU and IDU
- PTP – Point-to-Point topology
- PTM – Point-to-Multipoint topology
- MINT – Mesh Interconnection Networking Technology protocol

4. Document marks



All warnings are marked with a special warning sign. One should pay a great deal of attention to what is written in the Warning sections.



All notes are marked with a special note sign. Notes usually contain useful comments or hints to the described section of the document.

5. Additional information

Additional information which is not included in this Manual can be found in the following sources:

- WANFlex OS User Guide
- Our web-site: www.infinetwireless.com
- Our support site: <http://support.infinetwireless.com>

II. Hardware description

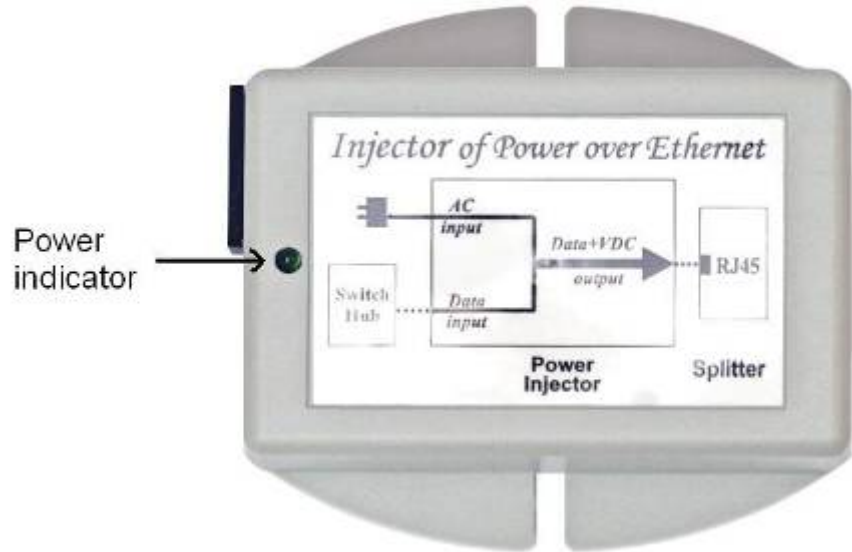
1. Power supply units (IDU)

All outdoor equipment is equipped with indoor power supply units. Exact type of IDU which is used with each device model is specified in different models description (see below).

IDU-CPE

Used with *R5000-S* and *R5000-L* only.

Top view



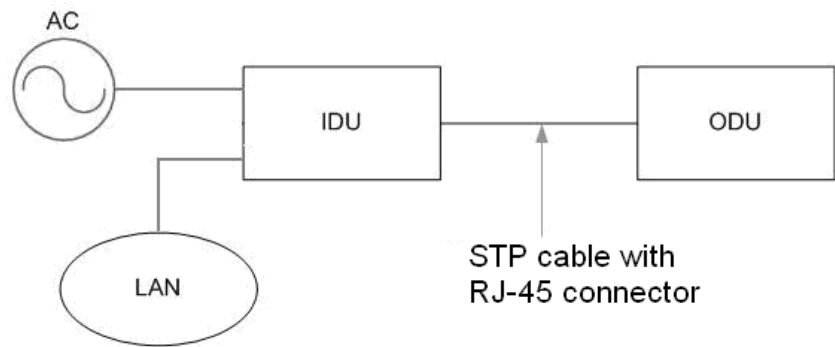
Front panel



Rear panel

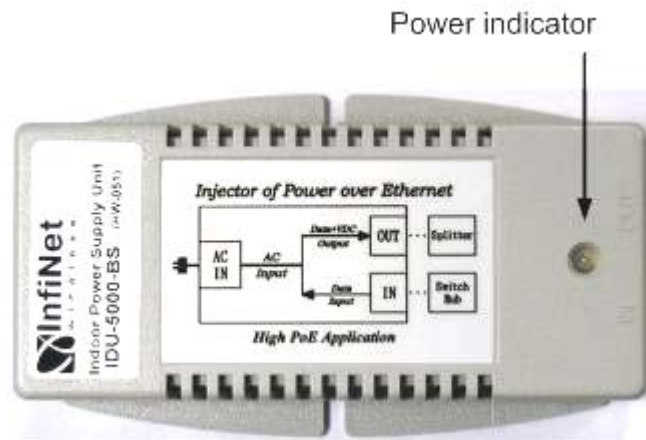


Connection scheme for IDU-CPE

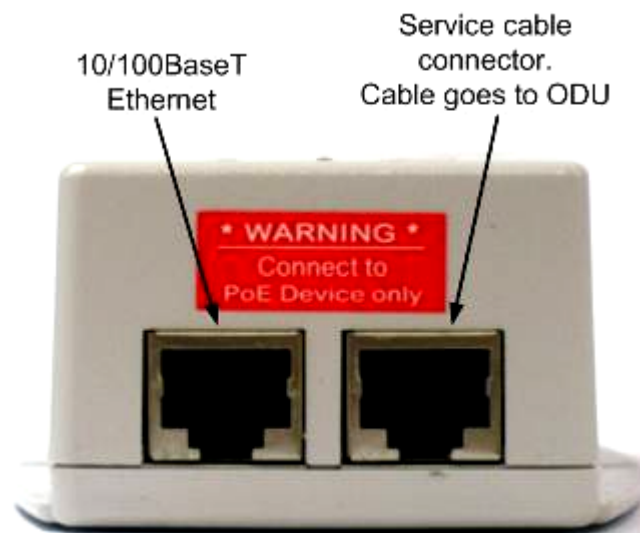


IDU-BS/IDU-BS-G

Top view



Front panel

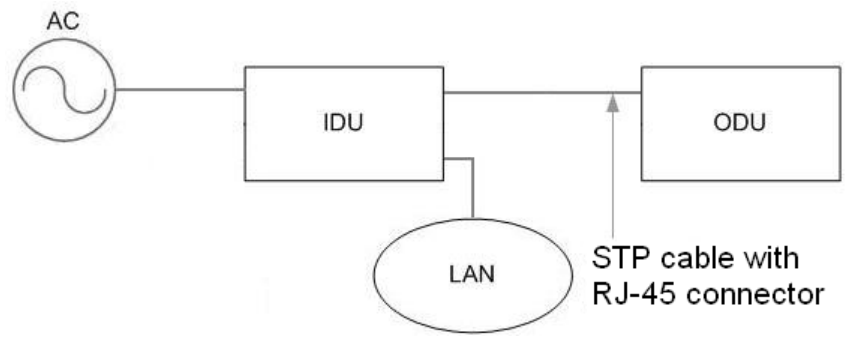


*IDU-BS-G model has 10/100/1000BaseT Ethernet port

Rear panel



Connection scheme for IDU-BS/IDU-BS-G



Injector IDU-LA

Injector IDU-LA may be used for the following purposes:

1. To connect the second (additional) RJ-45 connector of R5000-0m/Mm device models to network equipment.
2. To connect third-party DC power sources to ODU (for example, to power the unit from solar power or wind power sources). Acceptable voltage values of third-party DC power sources are 12..48V.

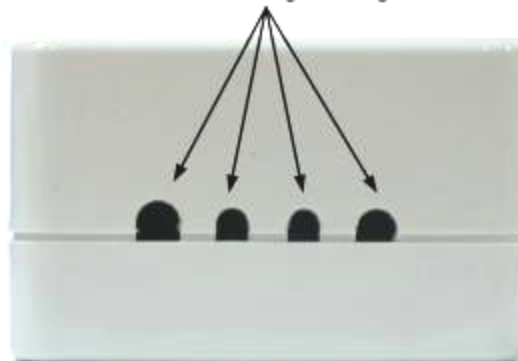
In both cases IDU-LA should be properly grounded (please refer to the "Grounding when using IDU_LA" section of this manual).

Top view

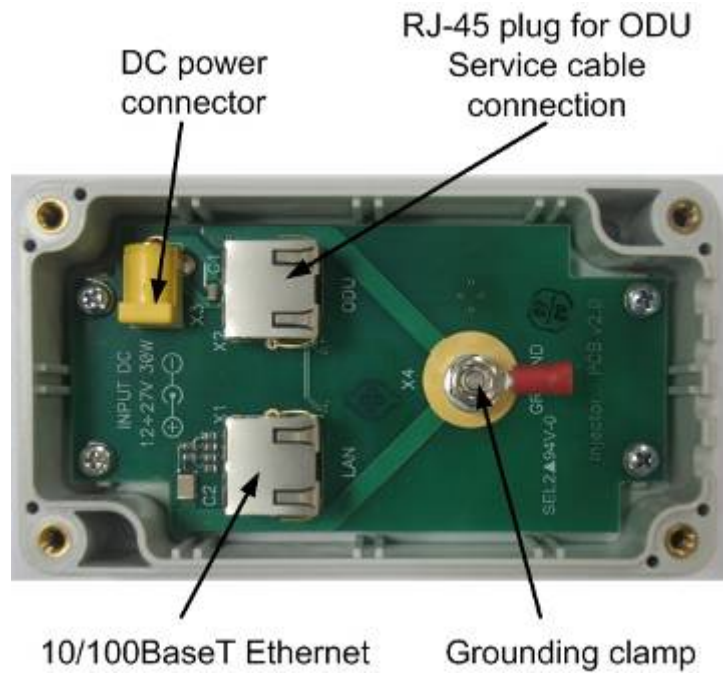


Front panel

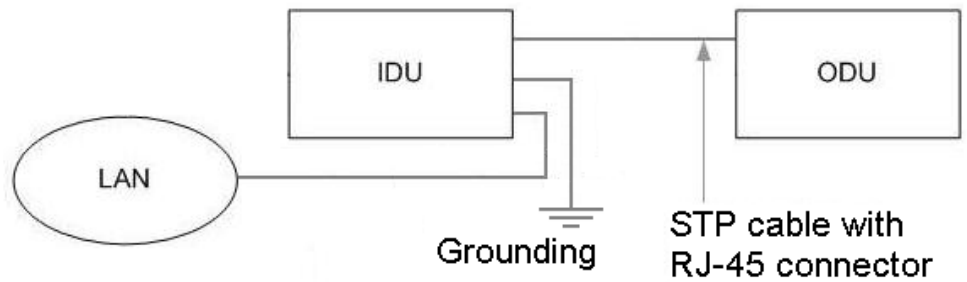
Holes for power cord, Ethernet cable,
ODU Service cable and grounding conductor



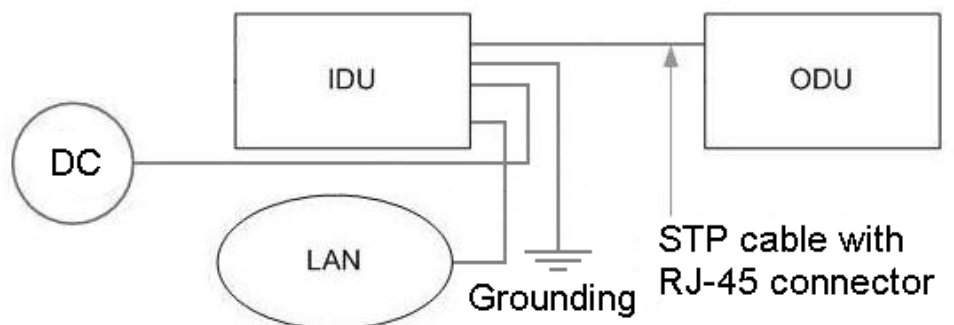
Inside view



Connection scheme for IDU-LA (for second Ethernet port)



Connection scheme for IDU-LA (for third-party power sources)



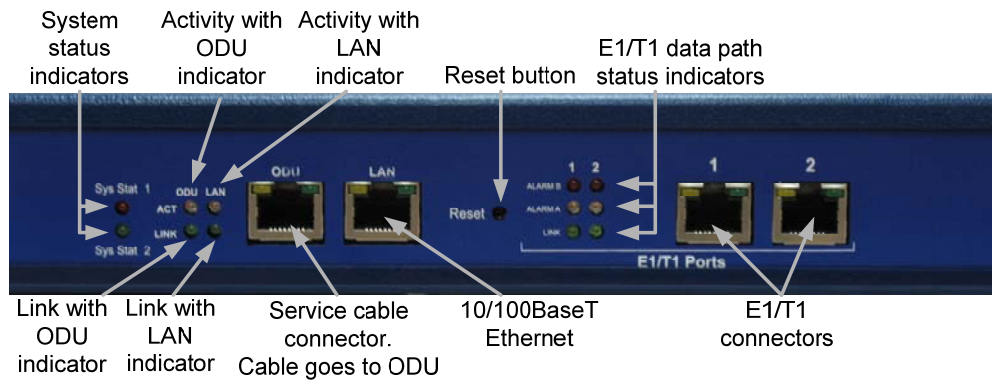
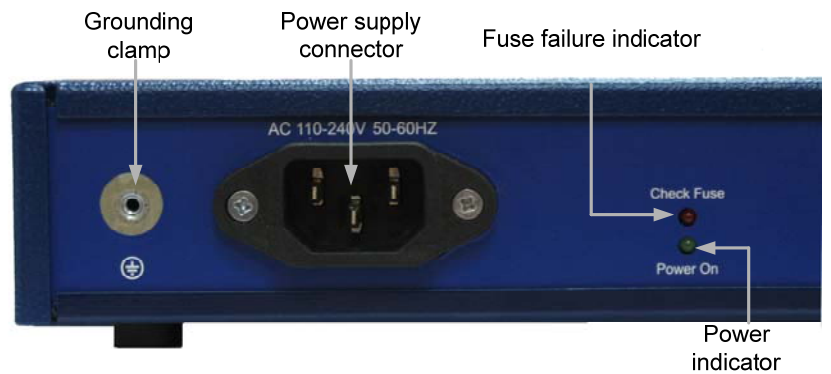
IDU with E1/T1 ports

IDU with E1/T1 ports can be supplied with 2-4 E1/T1 ports. Below there is an IDU with 2 ports.

Front panel



Rear panel



Indicators modes tables for IDU with E1/T1 ports.

Fuse failure indicator (Check Fuse)

Indicator (red)	Status
Off	Fuse is okay
On	Fuse failure

Power indicator (Power On)

Indicator (green)	Status
Off	No power
On	Power is okay

System status indicators (Sys Stat1 and Sys Stat 2)

Sys Stat 1 Indicator (red)	Sys Stat 2 Indicator (green)	Status
On	Off	Failure during power-on self-test
Off	On	System is operating correctly: no failures during tests found, E1/T1 data are transferred without failures between external E1/T1 source and IDU device and then transmitted and received correctly through IDU and ODU to the other side of a radio link
Alternating	On	One of the data paths is not operating correctly

Link with ODU/LAN indicator (LINK)

Indicator (green)	Status
Off	No connection between IDU and ODU/LAN
On	Connection between IDU and ODU/LAN is okay

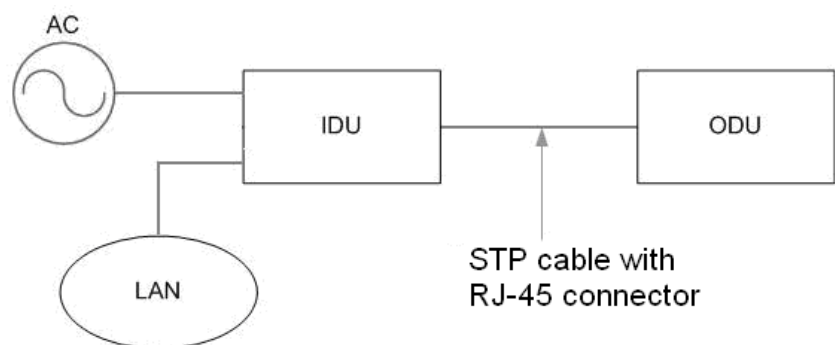
Activity with ODU/LAN indicator (ACT)

Indicator (yellow)	Status
Off	Data is not transferred between IDU and ODU/LAN
On	Data is transferred between IDU and ODU/LAN

E1/T1 data path status indicators (ALARM B, ALARM A, LINK)

LINK Indicator (green)	ALARM A Indicator (yellow)	ALARM B Indicator (red)	Status
Off	Off	Off	E1/T1 port not configured
On	Off	Off	Normal mode: E1/T1 data are transferred without failures between external E1/T1 source and corresponding E1/T1 port of the IDU
On	Off	On	Framing error
Off	Off	On	Loss of signal on the corresponding E1/T1 port of the IDU
Off	On/ Alternating	Off	Error on an IDU which is on the other end of the radio link
Alternating	On	Off	E1/T1 port in "Loopback"

Connection scheme for IDU with E1/T1 ports





You can see "E1" Jack soldering scheme in the "Supplementary information" section of this manual.

2. Outdoor Units (ODU)

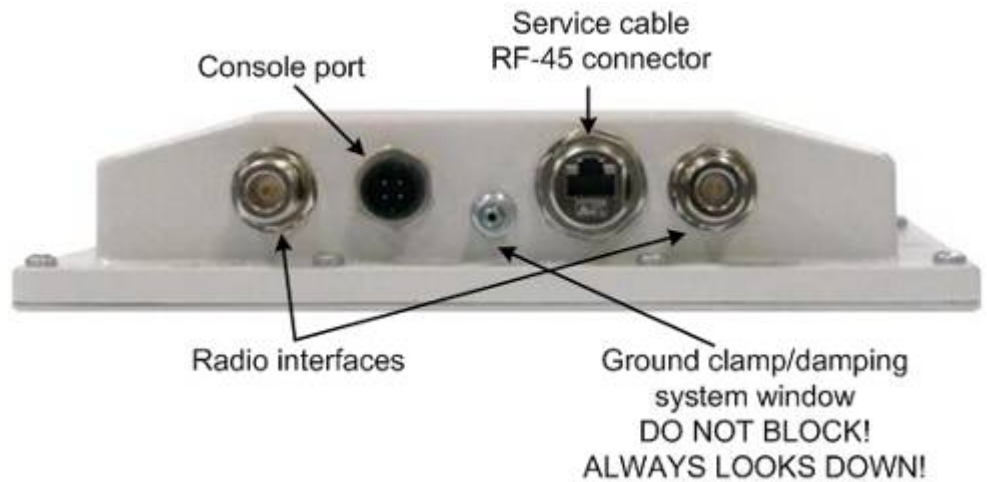
InfiNet Wireless R5000-Omx and R5000-Lm/Lmc

IDU

Default factory option: IDU-BS for R5000-Om, IDU-CPE for R5000-Lm.

ODU

Front panel



Top view



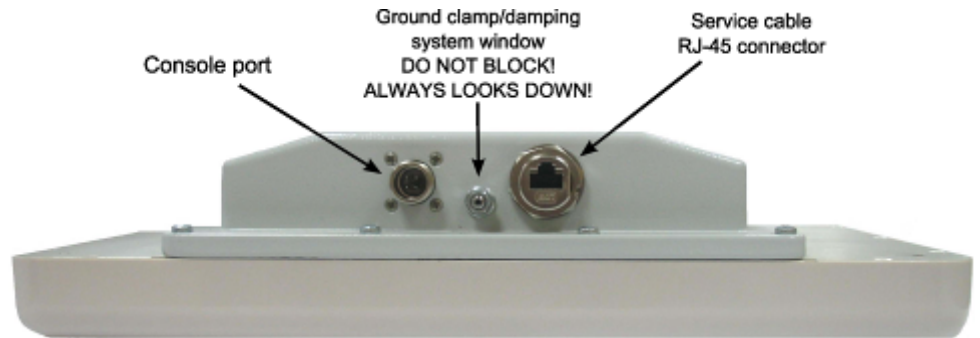
InfiNet Wireless R5000-Mmx and R5000-Sm/Smc

IDU

Default factory option: IDU-BS for R5000-Mm, IDU-CPE for R5000-Sm.

ODU

Front panel



Top view



ODU LED indicators description

InfiNet Wireless ODU units have two LED indicators (red and green) located in the Console connector. These LEDs are useful in monitoring the device status during the installation procedure. LEDs modes and Device status correspondence is shown in the following table:

Red indicator	Green indicator	Device status
Off	Off	Device is switched off of in the process of start-up booting
Off	Blinking	Device is booted. No radio connection. Searching for another device to establish radio connection to.
Blinking	On	Radio connection established. The more data is transmitted through the radio channel the more frequently red indicator is blinking.

III. Installation procedure

1. Installation preparations

Required components and accessories

Before the installation, please make sure you have all necessary parts and accessories:

- InfiNet Wireless Device
- Antenna
- Low loss antenna cable for the required frequency range
- Antenna pole (if necessary)
- Required grounding system
- Accessories and tools

Antenna placement

When planning an antenna placement for PTP link, in order to obtain the maximal coverage range and best performance for the Device, one need to consider that LOS requirements must be fulfilled for the path between two antennas. Moreover, it is of vital importance that the certain zone that surrounds the signal propagation path must be free from obstructions. One should understand that the radio beam is not as thin as, for example, laser beam. Radio beam, also called as a 1st Fresnel zone, has a profile of a rugby ball. Its exact form and size depend upon the frequency and the signal propagation path length.

If most of the 1st Fresnel zone is obstructed, a major part of a electromagnetic energy will be lost which leads to a severe signal quality degradation and, as a result, to coverage range decreasing.

Below is an incomplete list of possible obstructions on the signal propagation path:

- Neighboring buildings
- Trees
- Bridges
- Power lines

To obtain the best results, it is necessary to perform a precise analysis of a signal propagation path zone and possible obstructions that may cover a part of the 1st Fresnel zone (usually the analysis is performed at the highest points of the signal propagation path).

When planning the antenna placement for Point-to-Multipoint connections, one must consider the necessity of a circular or sector coverage areas. In this respect, it is not recommended to use omni-directional antennas when sector antennas can be used.



While planning, it is strongly recommended to consult high-qualified and experienced technicians

General recommendation for antennas placement are the following:

- Install antennas as high as possible over specific level. In case of flat surface - it will be ground level, in case of vegetation and forest – it will be tree heights, in urban environment – it will be the highest building in the observed area (specific level definition).
- Avoid tree and vegetation along with wave propagation path, influence of trees can increase depending on seasons (ice, dew, leaves);
- Proximity of other antennas should be avoided (at least 2 meters);
- Reflecting surfaces should be considered (building with reflective windows, water surfaces or wet grounds);
- When installing antenna over water surface, one should tune height bracket within 1-3 meter range variation, because it can yield signal level variation from minimum to maximum.
- If seasonal changes influence on the signal quality, so then the most probable reasons would be either the connectors are not protected enough from humidity, summer vegetation or ice covered cabling and connectors during winter.

Antenna poles usage

Antenna installation is performed on a special facility called antenna pole. The pole is used for strong antenna tightening at the installation site. Poles might have different modifications depending on the installation requirements.

Poles with Stretching

Usually this kind of poles are used when installing antenna on a flat surface and permits one to raise it to a significant height for providing optimal conditions for signal propagation.

Wall Mounted Pole

Usually these kinds of poles are used when there is no need to elevate antenna to the rooftop and there is the possibility to mounting it on a wall. This installation is significantly simpler than that implementation with poles. Mostly it is used for subscriber side deployments.

Antenna Poles Requirements

Ease of antenna mounting and sufficient mechanical durability should provide reliable fastening in conditions of high windy loads. Poles should have round profile for ease of azimuth adjustment. Typical pole diameter is 30 to 50 mm.

Grounding

Antenna should be placed on the mast on the level that is at least 1 meter lower than a mast's top. In this case it is of big probability that the lightning strikes the mast and not the antenna. The mast is to be grounded on the grounding contour according to your local standards. When the lightning strikes the antenna, the current goes through the coaxial cable which grounds ODU clamp with the mast – the mast is grounded via the grounding contour. The direct lightning strike to the STP service cable (ODU-IDU) is partially terminated on the grounded IDU case. Partial termination means that the direct lightning strike will probably destroy an STP cable. The service cable pickups from the electromagnetic

impulses are terminated on the IDU case by the winding shield, and further – on the IDU grounding.



The end of the STP service cable that is connected to IDU should be assembled with a Shielded RJ-45 connector. The other end of the STP service cable (connected to ODU) should be assembled with unshielded (standard) RJ-45 connector.

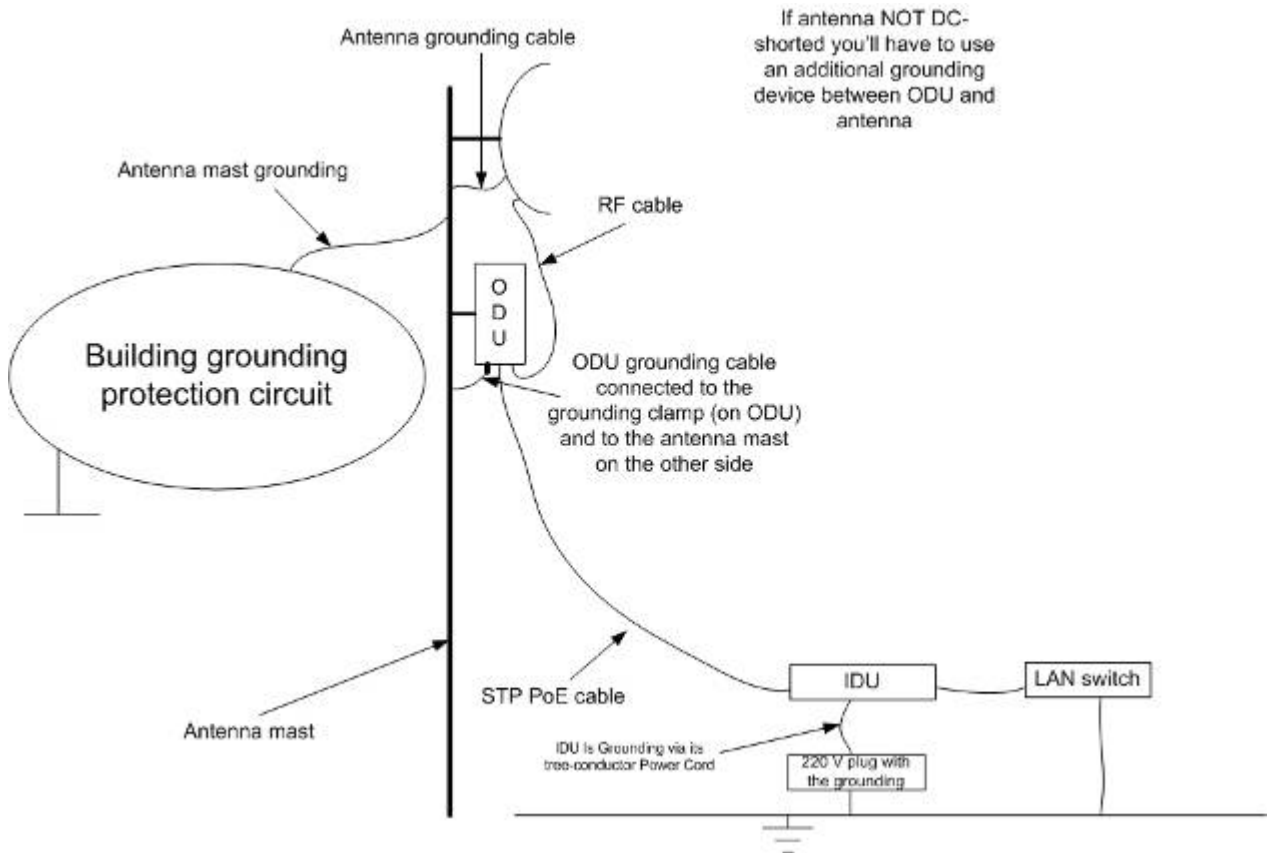
IDU is grounded via a three-conductor power cord and a plug containing a ground. The data & power wires pickups are terminated via IDU protection scheme (three-conductor power cord and a plug containing a ground).

ODU grounding contour are connected with 100kOhm resistor, and that provides no static charge accumulation on the ODU case if there are some problems with its connection to the grounding contour.



Antenna pole, tower, ODU and lightning arrester should be connected to the first common grounding contour. Cable thickness should be no less than 10AWG using corrosion-steady connectors. IDU should be grounded to the same contour as customer LAN, having the second common grounding contour.

A special attention should be paid if antenna used is not DC-shortened. In this case additional lightning arrester should be used between the antenna and ODU. Suggested grounding diagram is shown on the picture below.



Grounding when using IDU-LA

Antenna must be placed on the mast on the level that is at least 1 meter lower than a mast's top. In this case it is of big probability that the lightning strikes the mast and not the antenna. The mast is to be grounded on the grounding contour according to your local standards. When the lightning strikes the antenna, the current goes through the coaxial cable which grounds ODU clamp with the mast – the mast is grounded via the grounding contour. The direct lightning strike to the STP service cable (ODU-IDU) is partially terminated on the grounded IDU case. Partial termination means that the direct lightning strike will probably destroy an STP cable. The service cable pickups from the electromagnetic impulses are terminated on the IDU case by the winding shield, and further – on the grounding contour.



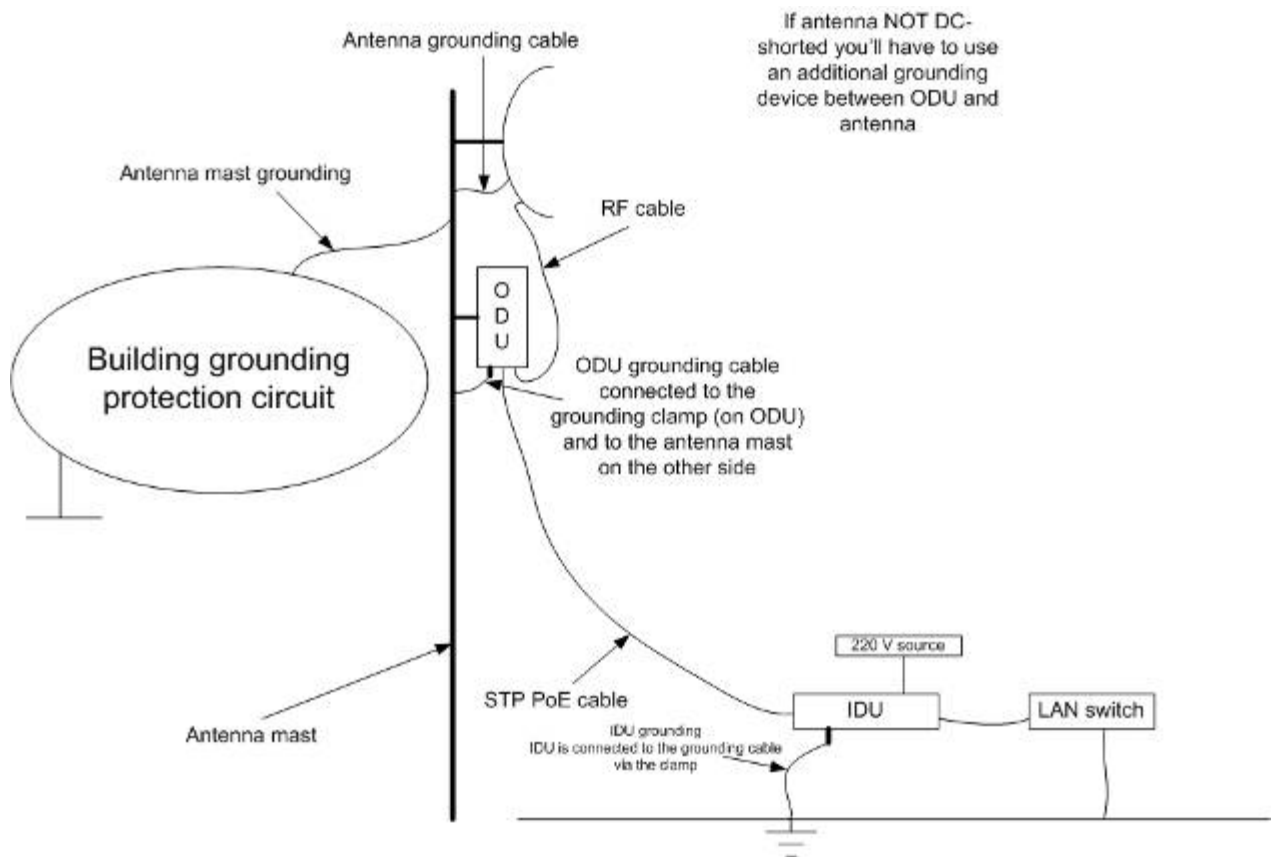
The end of the STP service cable that is connected to IDU should be assembled with a Shielded RJ-45 connector. The other end of the STP service cable (connected to ODU) should be assembled with unshielded (standard) RJ-45 connector.

The data & power wires pickups are terminated via IDU protection scheme (discharger and additional air gap). ODU and IDU grounding contours are connected with 100kOhm resistor, and that provides no static charge accumulation on the ODU case if there are some problems with its connection to the grounding contour.



Antenna pole, tower, ODU and lightning arrester must be connected to the first common grounding contour. Cable thickness must be not less than 10AWG using corrosion-steady connectors. Grounding contour development must be done by the skilled personnel.

A special attention should be paid if antenna used is not DC-shorted. In this case additional lightning arrester should be used between the antenna and ODU. Suggested grounding diagram is shown on the picture below.



Antenna alignment

To obtain maximal system performance antennas must be precisely aligned one towards another according to LOS requirements. General recommendations for antenna alignment are the following:

- Align antennas using optical equipment (binoculars, spyglass) accompanied by mobile phone actions coordination
- Use GPS receiver and area map
- Use build-in InfiNet Wireless Device features. These features allow evaluating current channel/signal quality and perform precise antenna alignment

Omni-directional and sector antennas have a wide radiation diagram width, thus usually they either do not require a very precise alignment or it is just not necessary due to radio link requirements.

Antenna polarization must be taken into consideration while installation. In most cases omni-directional and sector antennas have a vertical polarization. Directional antennas can be installed either with vertical or horizontal polarization. Please check a corresponding labeling on the antenna and address to the antenna technical documentation.

Precaution measures

Before you start the installation please read this section very carefully.

Antennas are installed on the roof tops or on the building walls. This work must be accomplished only by personnel having special skills and experience in this area.

Antennas and cables are electric conductors. Incidental electrostatic strikes may occur during the system installation. This can lead to equipment damaging or may hurt the personnel. While installing or changing the elements of the antenna-feeder system one must make sure that open metal parts are temporarily grounded.

Do not install the antenna close to the electric power lines. Antenna and antenna pole have to be installed in such a way that while their assembling, disassembling and repairing they did not have any contact with power lines.

Basic precaution measures that must be fulfilled during the installation are the following:

- Do not stay on the roof top in windy or rainy weather, during the thunderstorm or when the working zone is covered with snow or ice
- Do not touch the antennas, antenna poles, cables and lighting arrestors during the thunderstorm
- Antenna placement should not be close to electric or telephone lines. Safe distance is a distance that is a sum of the two antenna poles heights and antenna height
- Antenna cable must be grounded at all times (not relevant for 5000-M modifications)



In case of failure any manipulations with the equipment are allowed to skilled personnel only.

Service cable soldering procedure

“RJ-45” connector

The following instruction shows the “RJ-45” connector soldering procedure.

	<p>Step 1. Peel STP service cable and prepare “RJ-45” connector parts.</p> <p>Use RJ-45 connector <u>without</u> grounding here (RJ-45 connector <u>with</u> grounding is used for connecting service cable to IDU).</p>
	<p>Step 2. Stick rubber filler – 5 on the Part 4, previously having removed protective white layer from rubber filler -5.</p> <p>Insert Part 2 inside part 4 up to the stop. Part 2 must be entirely within Part 4.</p>
	<p>Step 3. Put connector parts on the STP service cable as shown.</p> <p>Attach RJ-45 connector without grounding to the STP service cable according to the “RJ-45” soldering scheme (in the “Supplementary information” chapter of this manual) and crimp the connector using a crimp tool.</p> <p>⚠ Please tightly crimp the RJ-45 connector. Not crimped or badly crimped connector damages the unit when assembled into it which is not considered as a warranty case.</p>



Step 4. Connect the attached RJ-45 connector to the unit until you hear a click.



Step 5. Put Part 4 on the RJ-45 connector.



Step 6. Screw Part 3 onto the unit's connector tightly.



Step 7. Screw Part 1 onto Part 4 of the RJ-45 connector as tight as possible.
Now the connector is hermetically attached to the unit.

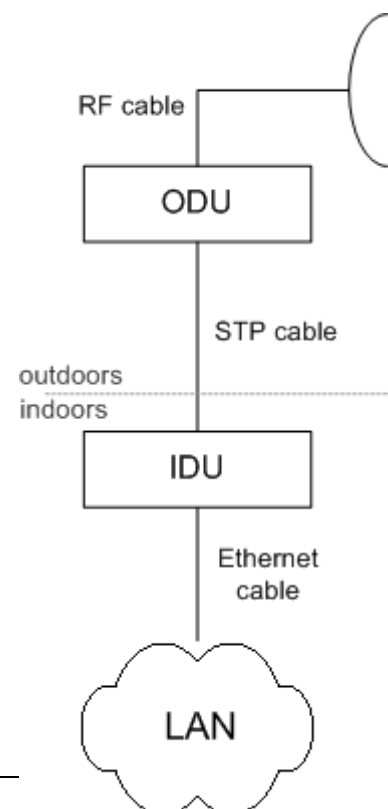
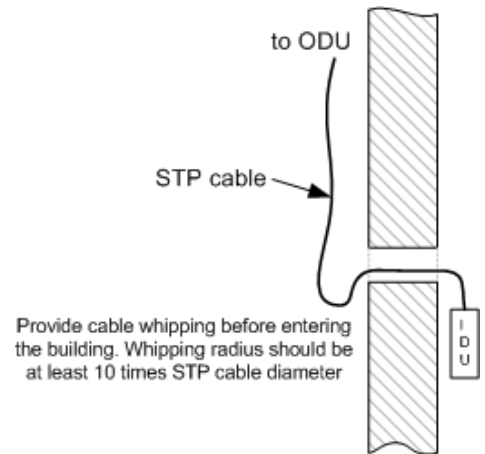
Tools to be available at the installation site

1. Screwdrivers set
2. Pliers
3. Spanners set
4. Connectors isolating set
 - Raw rubber
 - Thermal shrinkage tube
 - Scissors
 - Fan
 - Mantling gun
5. Additional equipment
 - GPS receiver or area map (with compass and alidade)
 - Big zoom binoculars

2. InfiNet Wireless R5000-O/Om/Ow

Installation guidelines

1. Unpack the equipment
2. Check items integrity
3. Prepare RF-cables of the required length. For 5GHz devices the recommended maximal RF cable length is 1 meter.
4. Install and isolate the connectors on the RF cable
5. Determine the STP cable length that is used to connect IDU and ODU. The total cable length between LAN (behind IDU) and ODU should not be longer than 100 meters. Service cable connecting IDU and ODU should be STP Cat 5E cable.
6. Install (solder) connector for ODU on the STP cable and isolate it
7. If it is possible to lay STP cable with a connector on the IDU side, install (solder) connector for IDU on the STP cable and isolate it
8. Lay the STP cable "from top to bottom" – from ODU to IDU
9. If step 7 is not accomplished, after the STP cable has been laid, install (solder) connector for IDU
10. Install ODU on the mounting bracket connectors down and tighten it
11. Connect the ODU-IDU cable to the ODU
12. Isolate the ODU connector joint place
13. Once the antenna and antenna pole are installed they must be grounded via lightning protection grounding contour. Antenna's position must be lower than the highest antenna pole point at least by 2 antenna heights. If antenna is NOT DC-shorted (see antenna technical documentation), the additional lightning arrester must be used which is placed between ODU and antenna and is grounded to the antenna pole grounding contour.
14. Connect RF cable to the antenna. Twist the connector tightly
15. Connect RF cable to the ODU previously having touched RF cable connector case with ODU connector case
16. Isolate RF connectors from both sides (ODU and antenna)



17. Connect the STP cable to IDU previously having touched IDU connector case with STP cable connector case
 18. Provide grounding for IDU
 19. Connect Ethernet cable to IDU
 20. Provide power supply for IDU
 21. Connect to the Router using Telnet protocol
-

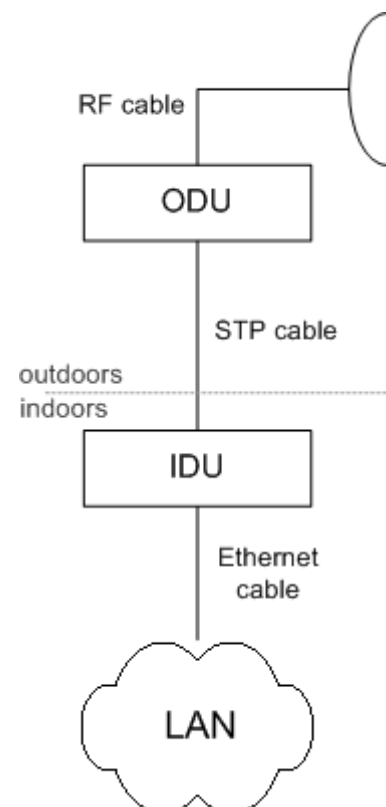
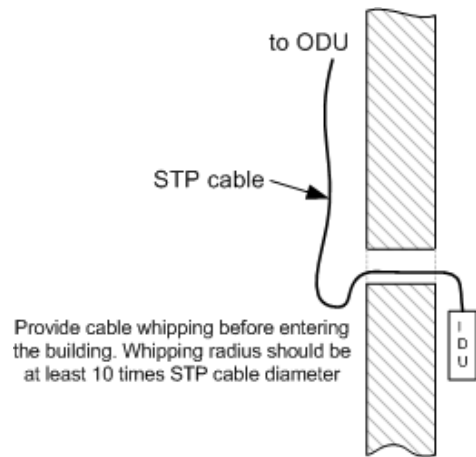


It is extremely important to install ODU connectors down!

3. InfiNet Wireless R5000-L/Lm

Installation guidelines

1. Unpack the equipment
2. Check items integrity
3. Prepare RF-cables of the required length. For 5GHz devices the recommended maximal RF cable length is 1 meter.
4. Install and isolate the connectors on the RF cable
5. Determine the STP cable length that is used to connect IDU and ODU. The total cable length between LAN (behind IDU) and ODU should not be longer than 100 meters. Service cable connecting IDU and ODU should be STP Cat 5E cable.
6. Install (solder) connector for ODU side on the STP cable and isolate it
7. Lay the STP cable "from top to bottom" – from ODU to IDU
8. After the STP cable has been laid, use distribution box to switch from STP cable to UTP cable with RJ-45 connectors.
9. Install ODU on the mounting bracket connectors down and tighten it
10. Connect the ODU-IDU cable to the ODU
11. Isolate the ODU connector joint place
12. Once the antenna and antenna pole are installed they must be grounded via lightning protection grounding contour. Antenna's position must be lower than the highest antenna pole point at least by 2 antenna heights. If antenna is NOT DC-shorted (see antenna technical documentation), the additional lightning arrester must be used which is placed between ODU and antenna and is grounded to the antenna pole grounding contour.
13. Connect RF cable to the antenna. Twist the connector tightly
14. Connect RF cable to the ODU previously having touched RF cable connector case with ODU connector case
15. Isolate RF connectors from both sides (ODU and antenna)
16. Connect the UTP cable to IDU
17. Provide grounding for IDU
18. Connect Ethernet cable to IDU
19. Provide power supply for IDU



20. Connect to the Device using Telnet protocol

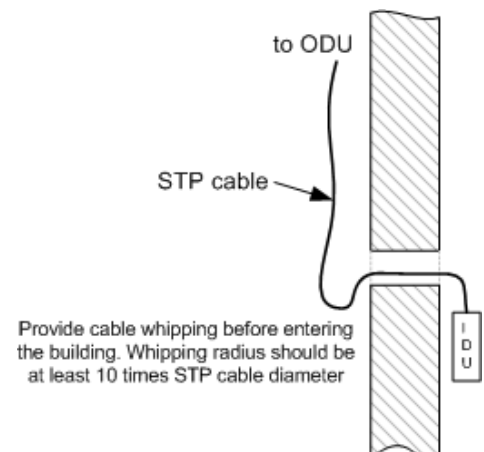
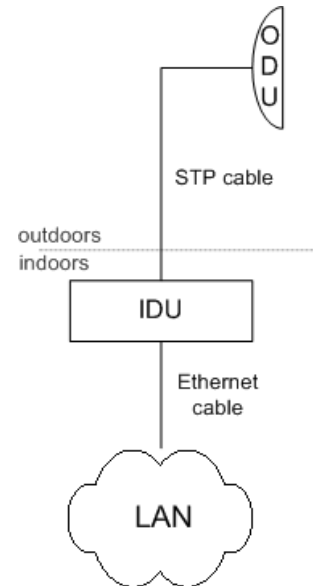


It is extremely important to install ODU connectors down!

4. InfiNet Wireless R5000-M/Mm and R5000-S/Sm

Installation guidelines

1. Unpack the equipment
2. Check items integrity
3. Determine the STP cable length that is used to connect IDU and ODU. The total cable length between LAN (behind IDU) and ODU should not be longer than 100 meters.
4. Install (solder) connector for ODU on the STP cable and isolate it
5. Lay the STP cable "from top to bottom" – from ODU to IDU
6. After the STP cable has been laid, use distribution box to switch from STP cable to UTP cable with RJ-45 connectors. Service cable connecting IDU and ODU should be STP Cat 5E cable.
7. Install ODU on the mounting bracket according to the direction required for the link. Do not tight it too hard unless the antenna alignment is not complete. Install ODU connectors down.
8. Connect the ODU-IDU cable to the ODU
9. Isolate the ODU connector joint place
10. Once the ODU and antenna pole are installed they must be grounded via lightning protection grounding contour. ODU position must be lower than the highest antenna pole point at least by 2 ODU heights
11. Connect the UTP cable to IDU
12. Provide grounding for IDU
13. Connect Ethernet cable to IDU
14. Provide power supply for IDU
15. Connect to the Device using Telnet protocol



It is extremely important to install ODU connectors down!

5. Mounting kit (MOUNT-KIT-85)

The default mounting kit packed with all the device models is MOUNT-KIT-85.

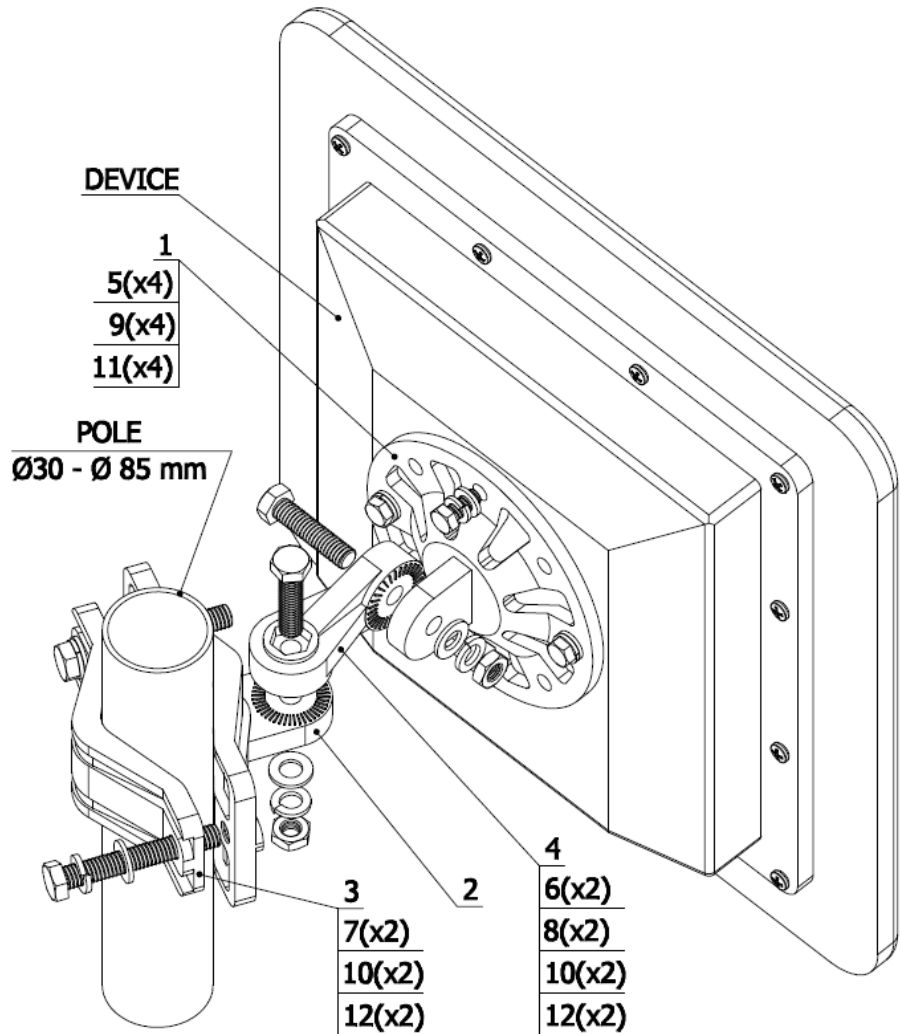
MOUNT-KIT-85 features:

- Material: casted Aluminum
- Adjustment: two axis (vertical and horizontal)
- Mounting options:
 - standard pole (30-85 mm)
 - wall
 - thick pipe (>85 mm, horizontal/vertical) using additional fasteners (not included to the package)
- Compatible with all outdoor units produced by InfiNet
- RoHS compliant

General view



Assembly



INSTALLATION INSTRUCTION

STEP 1:

Attach the Basement to the back of the device, using items 5, 9, 11.

STEP 2:

Tighten the Bracket and the Bracer to the pole, using items 7, 10, 12.

STEP 3:

Attach the Lever between the Bracket and the Basement, using items 6, 8, 10, 12.

Do not fasten the nuts!

STEP 4:

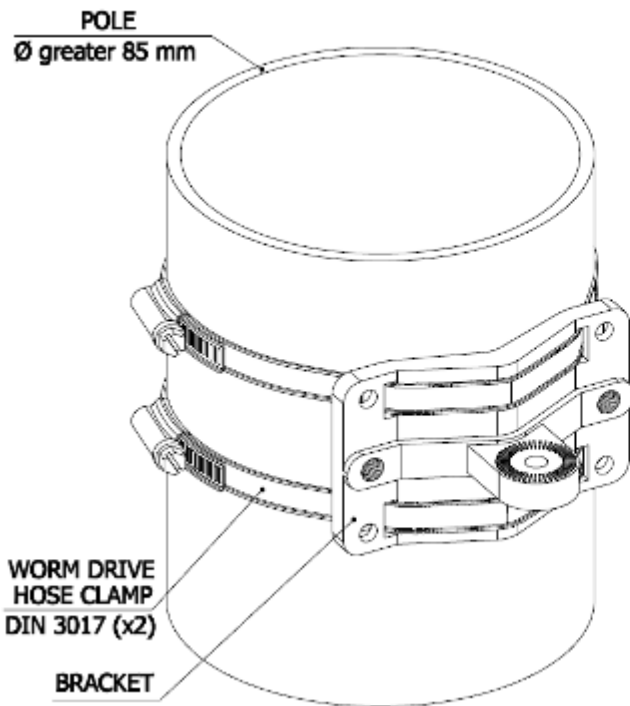
Adjust the required tilt and fasten all nuts at the required position.

CONFIGURATION KIT

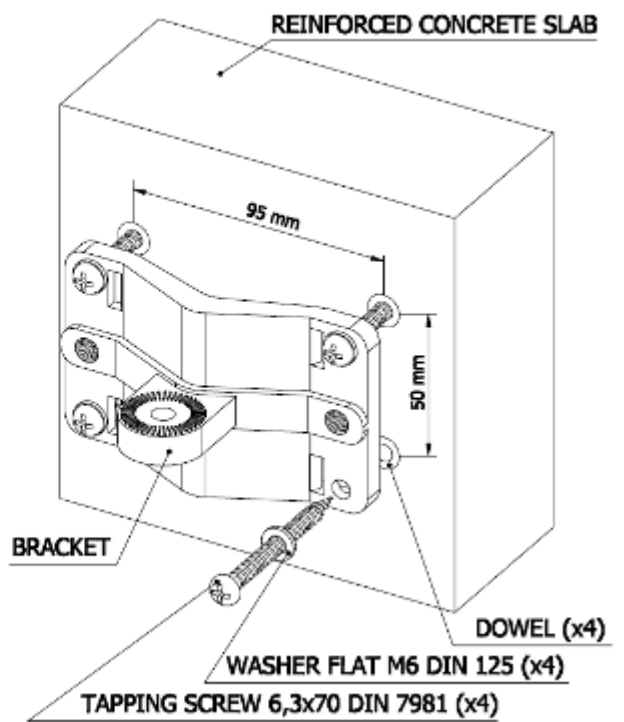
ITEM	DESCRIPTION	QTY
1	BASEMENT	1
2	BRACKET	1
3	BRACER	1
4	LEVER	1
5	BOLT M6X14	4
6	BOLT M8X35	2
7	BOLT M8X80	2
8	NUT M8	2
9	WASHER FLAT M6	4
10	WASHER FLAT M8	4
11	WASHER SPRING M6	4
12	WASHER SPRING M8	4

Possible variants of the installation

INSTALLATION ON A POLE OF BIG DIAMETER



INSTALLATION ON A WALL



Attention! MOUNT-KIT-85 does NOT contain worm drive hose clamps or other additional fixtures used in possible variants of installation.

IV. Basic configuration instructions

1. Initial settings configuration procedure

Before starting new device, one should perform initial configuration. The configuration can be performed either using serial console port or using Telnet protocol. In order to configure the device using Console port, follow the instructions below:

- Device should be connected with host serial interface, using InfiNet Console cable
- Start any terminal emulation software (e.g. Hyper Terminal)
- Set serial interface properties to 38400 baud rate, 8 bit, 1 stop bit, parity off, flow control disabled
- Enable emulation mode ANSI or VT100, keyboard VT100

To connect using Telnet protocol from the wired LAN run Telnet with 10.10.10.1 IP-address that is configured for the Ethernet interface of the device by default.

If all above procedures are completed correctly, you will see the WanFlex OS prompt:

Login:

Every new device has no initial login and password settings, so you can use any non-zero length login and password to enter the device:

Login: root

Password: 1234

After default authorization there will be standard console prompt:

console>

Now the device is ready for the initial configuration procedure. The most relevant thing to be done at this phase is to define device name/user/password.

system name Test Base Station

system user root

system password qwerty



*Part of commands in **bold** must be typed in CLI (Command Line Interface). The rest of the command name is optional and can be skipped while typing.*

Since this is made ONLY specified username and password can be used to access the device. DO NOT FORGET THESE PARAMETERS.

2. Device interfaces

The Device has several physical and logical interfaces:

- **lo0** - loopback interface, used for system interaction needs
- **null0** – logical interface, can be used for auxiliary addresses assignation (for NAT module, for example); for routes aggregation for RIP protocol. Addresses (subnets) are announced to the network but every packet transmitted through this interface is destroyed
- **eth0** - Ethernet 10/100 Mbit interface

- **rfX.0** - radio interfaces. See device's labeling or use "ifconfig -a" command to learn your radio interfaces
- **wifi0** – Wi-Fi AP interface
- **pppX** – point-to-point interfaces
- **tunX** - interfaces used for IPIP tunnels building
- **vlanX** – interfaces supporting VLAN 802.1q tagging

All configured interfaces of the Device can be reviewed using the following command:

```
ifconfig -a
```

3. Command line interface (CLI)

For device's management and configuration a Unix-like command line language is used. Every command starts having the power right after Enter key is pressed. However, each command lifetime duration is limited within one configuration session. In order to save a current configuration "[config.save](#)" command is used.

Several commands can be grouped in one line using ";" character. If a wrong-syntax line is met in the group, the rest of the string is checked anyway and the wrong command is ignored. Command name can be shortened unless the ambiguity occurs.

If your terminal supports VT100 or ANSI standard you can move around the list of recently executed commands using cursor keys. Numbered list of these commands can be reviewed by "!h" command. Any command from this list can be available using "!<NUMBER>" command. TAB key performs substring search of recently executed commands.

Ctrl/R combination refreshes the command string if its content was disturbed by system messages.

The command executed with no arguments prints a short hint about its keys, parameters and syntax.

Context help can be obtained by printing "?" in any position of the line.

4. Lost password recovery

The system password can be recovered remotely. The procedure is the following:

1. Locate your device's serial number (SN)
2. Send this SN to the InfiNet Wireless Technical Support
3. You will be given a special key
4. Enter the device and use SN as a login and received key as a password
5. Reconfigure the username and password

Lost password recovery using Emergency Repair Console:

Recovery procedure can be done with the help of "*erp*" command or graphical "ERConsole" utility.

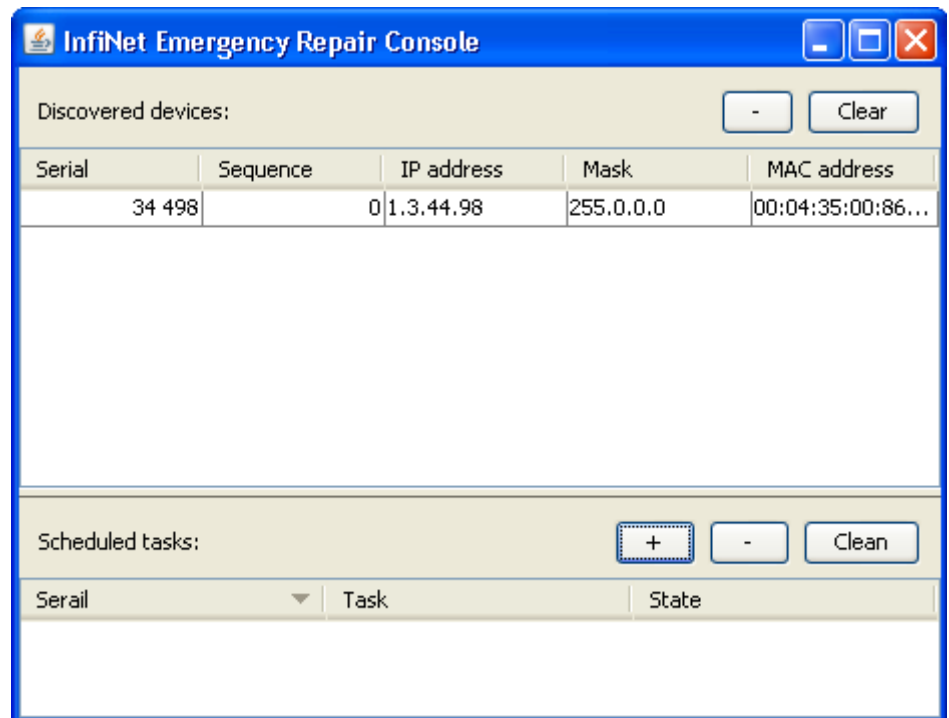
Below is a description of "ERConsole" utility recovery procedure ("*erp*" command recovery procedure is described in "OS WANFlex User Manual"):

1. Connect a computer and a device that should be repaired to one physical Ethernet segment.



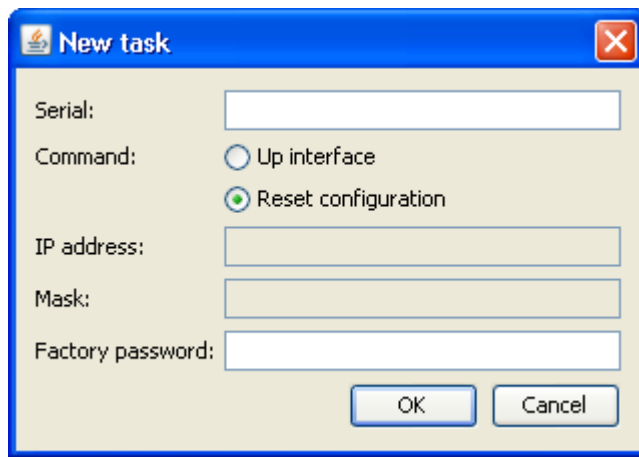
It is recommended to put a switch between the unit and the PC from which ERConsole is executed.

2. Start «ERConsole» utility on the computer by running "ERConsole.jar" file.
Utility will be running in a waiting mode.
3. Restart the device. During its restart «ERConsole» utility will determine the device and will show necessary information about it in the "Discovered devices" section of the main window.



«ERConsole» utility main window.

4. Send "Serial" and "Sequence" field values to the InfiNet Wireless Technical Support.
5. You will be given a factory password for the device.
6. Press «+» button in the «Scheduled tasks» section of the main window.
7. In the opened "New task" window choose "Reset configuration" in the "Command" field. Then enter Serial number and factory password in the corresponding fields. Press «Ok».



«New task» window.

8. Restart the device.

After device restart “ERConsole” utility will reset device configuration to the default.

9. Now login the device with any non-zero length login and password.

10. Reconfigure device username and password.

The “ERConsole” utility’s “New task” window also allows setting the units’ IP-address on its Ethernet interface (eth0) without login to the unit. To perform this procedure please follow the below steps:

1. Firstly, do steps 1-3 as described above.

2. Press «+» button in the «Scheduled tasks» section of the main window.

3. In the opened “New task” window choose “Up interface” in the “Command” field. Then type the required IP-address and network mask in the corresponding fields of the window and press “Ok” button.

4. Restart the device.

After the restart the “ERConsole” utility will add the IP-address into its Ethernet interface configuration and will up the interface (in case it was configured “down”).

5. Configuration manipulations

Printing and saving your configuration

You can easily review your current device’s configuration by executing “**config show**” command. The output of the command is sorted by the configuration sections (e.g. “System parameters”, “Interfaces configuration” etc).

You can review some particular parts of the configuration specifying the part of the configuration you want to see.

Example:

```
config show ifc
```

This command will print the interfaces configuration. You can specify several parts of the configuration separating them with a space bar.

Example:

config show rip nat

In order to save your configuration “**config save**” command is used. It saves the current system configuration in the Device's flash memory for subsequent permanent use. All modifications to the system parameters, if not saved by this command, are valid only during the current session (until the system reset occurs).

Import/export

Export/import of the device's configuration is performed using “**config export**” and “**config import**” commands correspondingly. “**Config export**” saves the Device configuration on a remote server and “**config import**” reloads it from a remote server. The information is transferred using FTP.

Example:

```
config export user:secret@192.168.1.1/var/conf/test.cfg
```

“**Config import**” command writes the uploaded file directly into the Flash memory without changing the active configuration in RAM. In order to make a new configuration active, right after “**config import**” command implementation finishes the device should be rebooted. If “**config save**” command is run before rebooting, Flash memory is overwritten by the copy of the active configuration. This action will erase the uploaded configuration file.

New firmware uploading

The latest firmware version can be downloaded from our support site (<http://support.infinetwireless.com>) and from our ftp-server (<ftp://ftp.infinet.ru>).

Command “**flashnet**” uploads specified firmware version to the Device. Download is performed using FTP and FTP server should be installed somewhere in the network or on a local host from where download being performed.

File name is a full path including IP address of FTP server:

```
flashnet get upgrade@192.168.1.1/conf/infinet/infinet_new.bin
```

Where **192.168.1.1** is IP-address of FTP server and **.../conf/infinet/infinet_new.bin** is a full path to firmware version.

The download process has two phases:

- File uploading into RAM of InfiNet device.
- Programming InfiNet device flash memory from RAM firmware image. This phase is indicated by “O.O.O.O.O.O...” sequence.



Do not interrupt this process, otherwise device will be brought into invalid state and its recovery will be possible only at manufacturer premises.

During installation process all system events should be observed in the system journal (command “**sys log**”).

6. IP address formats

Many commands of the operating system require specification of IP addresses.

In OS WANFleX, the IP-addressees may be specified in traditional numeric format. Optionally, the mask may be specified either by its bit length (the specified number of leading bits in the mask are set to 1, the remaining bits are

reset to 0) or numeric value. The IP address 0/0 denotes all possible IP addresses.

Therefore, the possible formats to specify IP-addresses are:

nn.nn.nn.nn (no mask is used)

nn.nn.nn.nn/N (N is the bit length of the mask)

nn.nn.nn.nn:xxx.xxx.xxx.xxx (xxx.xxx.xxx.xxx is the numerical value of the mask)

Example:

The 192.168.9.0/24 address describes the network address 192.168.9.0 and the mask with leading 24 bits on.

The same set of addresses may be denoted as 192.168.9.0:255.255.255.0.

7. Ethernet interface configuration

In the most basic form Ethernet interface can be configured as follows:

```
ifconfig eth0 1.1.1.1/24 up
```

UP flag means that the interface is turned to UP state.

Also you can specify the following parameters for the Ethernet interface:

- Media type. By default media type is selected automatically (**media auto** parameter).
- Assign aliases to the Ethernet interface (**alias** key word)

Full information about interfaces configuration can be reviewed in OS WanFlex User Guide – **ifconfig** command.

8. Radio interface configuration

Radio interface configuration is performed using “**rfconfig**” command. In its most basic form one need to configure the following parameters of the radio interface:

- Frequency (**freq** parameter) in MHz. For example, 5260.
- Bit-rate (**bitr** parameter). Bit transfer rate in kBits/sec.
- System identifier (**SID** parameter). A hexadecimal number in the range of 1H to FFFFFFFH. All Devices that are supposed to see each other on the same radio link must have the same identifier.



*Radio interface state is not saved in the configuration. That means that if you put radio interface to the **down** state after rebooting it will be in the **up** state.*

Example:

```
rfconfig rf5.0 freq 5260 bitr 130000 sid 01010101
```

Additional important parameters and settings for the radio interface:

- **Rf5.0** – radio interface name in this case. In order to obtain radio interface name either see the ODU/Device labeling or execute “**ifc -a**” command.
- **txpwr** – transmitting power selection. Available power levels can be obtained using “**capabilities**” parameter as shown above
- **burst** – enables burst mode. BURST protocol means grouping several short packets with the same destination address on a radio link into larger packets, thus cardinaly decreasing the response time for

applications generating streams of short packets. Burst enabling relates to a radio interface as a whole, and means only that you want to use this mode in this device; but the BURST protocol can only work for destinations where it is also enabled at the other end, and only if the MINT protocol is used at both sides.

Burst enabling does not induce any changes in the work of other devices in the network. To disable "burst" mode use "**-burst**" parameter in "**rfconfig**" command.

- **distance**: this parameter is used to set the exact distance value between two devices (in kilometers). This parameter changes time values for some delays and time-outs of 802.11a/b/g protocol thus making possible to work on longer distances with smooth adjustment.

There are several ways to manage this parameter:

- if you set an exact value, this value is used no matter what the connection method is used
- If the CPE has auto value instead of a number (by default), the CPE will configure its parameters using Base Station commands. It is enough to set a numeric value on a Base Station (the distance to the remotest CPE); all other CPEs will automatically adjust their work. While configuration showing, there might be the current distance value after **auto** parameter: **auto (XX)**
- when knowing exact device's geographical coordinates (e.g. using GPS) you can specify their values in "**sys gpsxy**" command and distance parameter set as auto on all devices including the Base Station. In this case devices will automatically adjust their settings selecting an optimal value for the **distance** parameter. Base Station will calculate a distance to the remotest subscriber, and subscriber will calculate a distance to the base station. If the CPE has a link coordinates information it will use this information, otherwise it will use the **distance** parameter value got from the base station.
- If **distance** parameter is set to 0 radio module will use default settings.
- **pwrctl** – automatic transmitting power control mode. In this mode the output power is set up automatically within the values available for the radio module. Used for CPE only.

Example:

```
rfconfig rf5.0 freq 5260 bitr 130000 sid 10203040 burst
```

```
rfconfig rf5.0 txpwr 18 distance auto
```

To learn your device's radio module capabilities type the command:

```
rfconfig <IF-NAME> capabilities
```

<IF-NAME> - radio interface name. Can be read on the device's labeling located on the case.

9. Wi-Fi AP interface configuration

Wi-Fi AP interface configuration is performed using "**wifi**" command.

To learn available Wi-Fi AP interfaces on your device (for example, wifi0) type the command:

```
ifconfig -a
```

Set proper IP address and net mask for Wi-Fi interface ("wifi0") using "ifconfig" command. For Wi-Fi AP activation use "*ifc wifi0 up*" command.

Example:

```
ifc wifi0 10.1.1.1/24
```

```
ifc wifi0 up
```

```
wifi wifi0 -freq 2432 -antenna diversity
```

Available "wifi" command options:

ssid <"string"> - sets network ID (Service Set Identity).

-freq <value> - sets central frequency in MHZ.

-txpwr <value> - sets AP output power in dBm.

-antenna <value> - sets active antenna for AP. In *diversity* mode AP will choose antenna to use automatically for each subscriber depending on the link quality (only for APs with two Wi-Fi antennas).

-auth <string> - sets authentication type for subscriber connection.

-pass <"string"> - sets a password for subscriber authentication.

-wpa-encrypt <"string"> - sets traffic type for WPA-authentication.

Available "wifi" command parameters:

cap – shows AP capabilities.

status – shows AP status.

stations – shows AP's subscribers information.

10. Network topology setup

At the core of the system is a MINT (Mesh Interconnection Networking Technology) protocol which acts as a topology defining architecture of InfiNet Wireless system. Please refer to the WANFlex OS User Guide for a detailed description of MINT protocol.

V.Link Configuring

1. Preliminary decisions

Bitrate selection

Overall link performance is greatly depends on the right bitrate selection. Wrong bitrate of a radio link in most cases lowers its performance characteristics. In the result subscribers are getting bad services.

IW MINT architecture makes bitrate selection process fully automatic. Using IW proprietary Link Forecasting and Active Testing algorithms MINT chooses the optimal radio transmission rate individually for each connected subscriber device.

- Therefore, main recommendations for bitrate selection are: enable autobitrate mechanism and set the maximal available bitrate on the radio interfaces of all the devices
- To estimate the real bitrate of the device prior to its installation and deployment use the Range Calculator utility (see below).

Frequency planning for multi-sectored Base Stations

Base Stations with six sectors deliver the maximal performance by providing with sector reciprocal reservation and best price/performance parameter value. When having an optimal frequency gap of 40 MHz between adjacent sectors of the BS, the following schemes are recommended to be configured (e.g. having 5 available in configuration frequencies F1, F2 ... F5):

- F1, F3, F5, F1, F3, F5
- F1, F3, F1, F3, F1, F3

Transmitting power selection

High output power correlates with the maximal connection performance. Decreasing the output power is logical when the maximal bitrate is already reached and there are no repeats. In this case excessive output power can decrease the system parameters. When having no built-in or external amplifiers one can try to install the automatic power control for the subscriber.

Range/Bitrate calculation

Range/Bitrate calculator allows estimation of a bitrate and distance for a particular radio link. This calculator can be downloaded from "Repository" of our support web-site (<http://support.infinetwireless.com>).

Bitrate	Site 1 -> 2			Site 2 -> 1		
	Worst	Mean	Optimal	Worst	Mean	Optimal
13.0 Mbps	25.8 km	117.8 km	294.7 km	25.8 km	117.8 km	294.7 km
26.0 Mbps	20.4 km	88.3 km	210.2 km	20.4 km	88.3 km	210.2 km
39.0 Mbps	16.1 km	66.2 km	150.5 km	16.1 km	66.2 km	150.5 km
52.0 Mbps	12.7 km	49.6 km	108.1 km	12.7 km	49.6 km	108.1 km
78.0 Mbps	10.6 km	40.0 km	84.5 km	10.6 km	40.0 km	84.5 km
104.0 Mbps	8.3 km	30.0 km	61.0 km	8.3 km	30.0 km	61.0 km
117.0 Mbps	6.4 km	22.1 km	43.4 km	6.4 km	22.1 km	43.4 km
130.0 Mbps	6.0 km	20.6 km	40.1 km	6.0 km	20.6 km	40.1 km

Range/Bitrate calculator view.

To use the calculator:

1. Set needed frequency range in "Band" field.
2. Set NLOS parameters in "Path type" field.
3. Set radio channel width in "Bandwidth" field.
4. For Site 1 and Site 2 define device model, device's max output, antenna gain and feeder loss.
5. Press "Calculate" button.

The results will be listed in a table below. For each available Bitrate value you will see corresponding distances in kilometers for "worst", "mean" and "optimal" environment conditions.



Earth surface relief is not taken into account in calculations.

2. Link diagnostic tools

Ltest

Ltest utility allows precise test of a radio link. It is recommended for antenna alignment when installing a new device or for testing of existing radio link.

Ltest can work in standard, alignment and bandwidth modes.

Standard mode:

In standard mode Ltest measures signal levels, retries, lost packets and acks.

To start Ltest in this mode:

It rf5.0 <Mac-address of a device on the other side of the radio link>

When «**ltest**» command starts it will show you output information that contains testing results. You can see Ltest output below:

Current/Maximum incoming signal level Current/Average number of retries in percent Current/Average number of undelivered packets in percent Current/Average number of undelivered acks in percent Estimated round-trip time

```
Node7#1> It rf4.0 00179AC2F3E6

Unicast test to 00179AC2F3E6 via rf4.0
packet size 1024, reply size 1024, bitrate 18000, reply bitrate 18000
rt - retries, up - undelivered packets, ua - undelivered acks
```

local				remote				est.
amp/max	rt%/avg	up%/avg	ua%/avg	amp/max	rt%/avg	up%/avg	ua%/avg	rtt
13/13	7/7	0/0	3/3	11/11	7/7	0/0	0/0	5.0
13/13	7/7	0/0	3/3	11/11	10/8	0/0	0/0	5.0
13/13	3/5	0/0	10/5	11/11	13/10	0/0	0/0	5.1
13/13	16/8	0/0	10/6	11/11	7/9	0/0	7/1	5.2
13/13	16/9	0/0	0/5	11/11	13/10	0/0	0/1	5.1
12/13	13/10	0/0	7/5	10/11	16/11	0/0	0/1	5.3
12/13	16/11	0/0	3/5	11/11	19/12	0/0	0/1	5.5
12/13	19/12	0/0	10/5	11/11	13/12	0/0	3/1	5.3
12/13	10/11	0/0	0/5	11/11	10/12	0/0	0/1	5.1
12/13	16/12	0/0	0/4	11/11	13/12	0/0	0/1	5.3
12/13	10/12	0/0	0/4	11/11	3/11	0/0	0/0	5.9
12/13	16/12	0/0	0/3	12/12	13/11	0/0	0/0	5.5
12/13	13/12	0/0	7/4	11/12	13/11	0/0	3/1	5.2
12/13	10/12	0/0	0/3	12/12	7/11	0/0	0/0	5.1
12/13	21/12	0/0	0/3	12/12	16/11	0/0	0/0	5.3
12/13	19/13	0/0	7/3	12/12	13/11	0/0	3/1	5.6
12/13	10/13	0/0	0/3	12/12	7/11	0/0	0/0	5.1

Node7#1>

Local device statistics Remote device statistics

For success radio link establishing the following factors have to be considered:

1. It is recommended to start antenna alignment with searching maximum signal level on a minimal possible bitrate. Afterwards automatic MINT mechanisms will set the most appropriate bitrate if **autobitrate** mode will be enabled.
2. Current incoming signal level in «amp/max» columns (see "ltest" command output) must be between 12 and 40.

When it is more than 40 it is recommended to lower amplifier power.

If maximal signal level is less than 12 it is recommended to lower bitrate or channel width (for example, from 20MHz to 10MHz on the both sides of the radio link).

In some cases signal level that is less than 12 may be enough for radio link operation. In this case one has to be guided by such parameters as number of retries, number of undelivered packets and number of undelivered acks. If the number of undelivered packets and the number of undelivered acks is null, the number of retries is small and all these parameters are constant in time then the radio link, most often, will be operating properly.

3. Number of retries value in «rt%» columns must be as close to zero as possible.
4. Number of undelivered packets value in «up%» columns must be zero; if this value is not zero then the radio link couldn't be exploited.

5. Number of undelivered acks value in «ua%» columns must be zero; if this value is not zero then the radio link couldn't be exploit. If this value is constantly not less then 50 then most probably «**distance**» parameter is set with a wrong value. If radio link distance is more than 20 km then «**long**» mode must be enabled.

ALL described parameters must be observed in the both (**Local** and **Remote**) sections of the «**ltest**» command output.

Alignment mode (for Xm-series only):

The difference of this mode from the standard one is that «ant.amps» column is used instead of «amp/max». «Ant.amps» column indicates signal levels for each of two antennas of a device divided by ":" correspondingly.

To start Ltest in this mode:

```
lt rf5.0 <Mac-adress> -align [L,R]
```

Ltest output in alignment mode:

```
Unicast test to 000E8E1DF5E1 via rf5.0 with no priority
packet size 1024, reply size 1024, align, tx antennas: local(0), remote(1)
rt - retries, up - undelivered packets, ua - undelivered acks
```

local				remote				est.
ant.amps	rt%/avg	up%/avg	ua%/avg	ant.amps	rt%/avg	up%/avg	ua%/avg	rtt
14:43:00	0/0	0/0	0/0	44:15:00	0/0	0/0	0/0	6.6

Bandwidth mode (Bandwidth meter):

Bandwidth meter is used to test the following radio link characteristics: throughput in kilobits per second, packets per second, number of retries and errors.

Use the following «**ltest**» command options for testing:

- **-tu [seconds]** – Unidirectional test: packets are transmitted only from the current side to the specified address ("target" option)
- **-tb [seconds]** – Bidirectional test: packets are transmitted in both directions

"Seconds" parameter allows setting test period (5 seconds by default). Maximum value is 60 seconds.

To start Ltest in this mode:

```
lt rf5.0 <Mac-adress> -tb
```

"Ltest" command output in Bandwidth meter mode:

Direction	Kbit/s	Pkt/s	Retries	Errors	Minimal, average and maximal delay values min/avg/max/stddev (usec)
Transmit	56056	4671	0.00%	0.00%	40/213/5979/751
Receive	54378	4531	0.00%	0.00%	22/220/11682/845
Total	110434	9202			

Annotations:
 - Radio link bandwidth for transmitting: points to Transmit row.
 - Radio link bandwidth for receiving: points to Receive row.
 - Total radio link bandwidth: points to Total row.

Muffer

The **muffer** module makes it possible to rapidly test the electromagnetic environment, visually estimate the efficiency of the utilization of the air links, reveal sources of interference, and estimate their power.

Several operating regimes of the **muffer** module provide for different levels of details in test results

Review mode

This regime is enabled by the review option. It makes possible to have a general estimation of emissions and interference within specified frequency range.

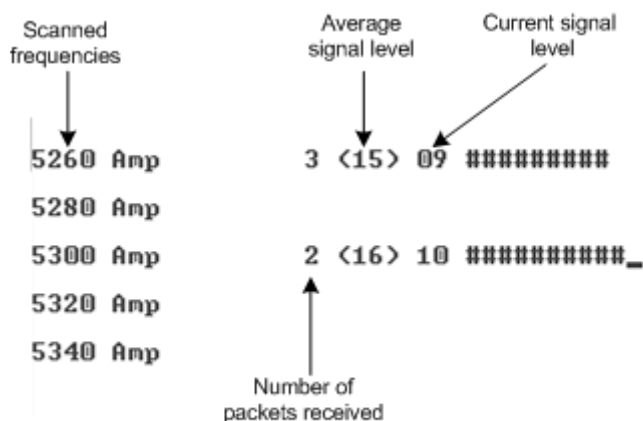


Normal operation of the radio is not possible in this mode.

This regime can be useful on the first steps of link configuration. One can observe the activity on the selected list of frequencies and make decisions of what frequencies can be used for the link so that the link did not interfere with other sources of signals.



The scan is performed only for the packets corresponding with the standard of the radio module (802.11a for 5GHz devices and 802.11b for 2.4 GHz devices). Other sources of signals on the scanned frequencies stay unseen.



The picture above shows the output of **review** mode.

To run the **review** mode please type the following command:

```
muffer <IF-NAME> review
```

Once the link is established you can use this mode to review the activity on the configured for frequency for the link. If no activity is observed that means that the signal from the remote side is being broken by the interference sources or by the obstacles on the signal propagation path.

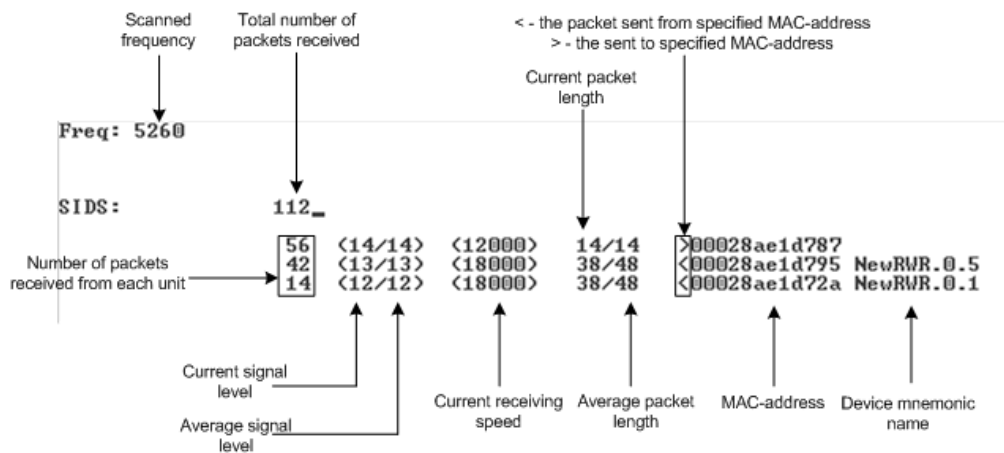
MAC2 mode

This regime performs MAC-addresses analysis to estimate the number of clients with different MAC addresses and the efficiency of their utilization of the air link. The analysis is carried out for all MAC addresses at the frequency previously specified by `rfconfig` command. The `mac2` regime checks both data packets and the link-level ACK messages sent by protocol supported devices.



Normal operation of the radio is not possible in this mode.

The picture below shows the output `mac2` regime.



Like in review mode this regime provides with the information about a current activity but on the configured frequency.

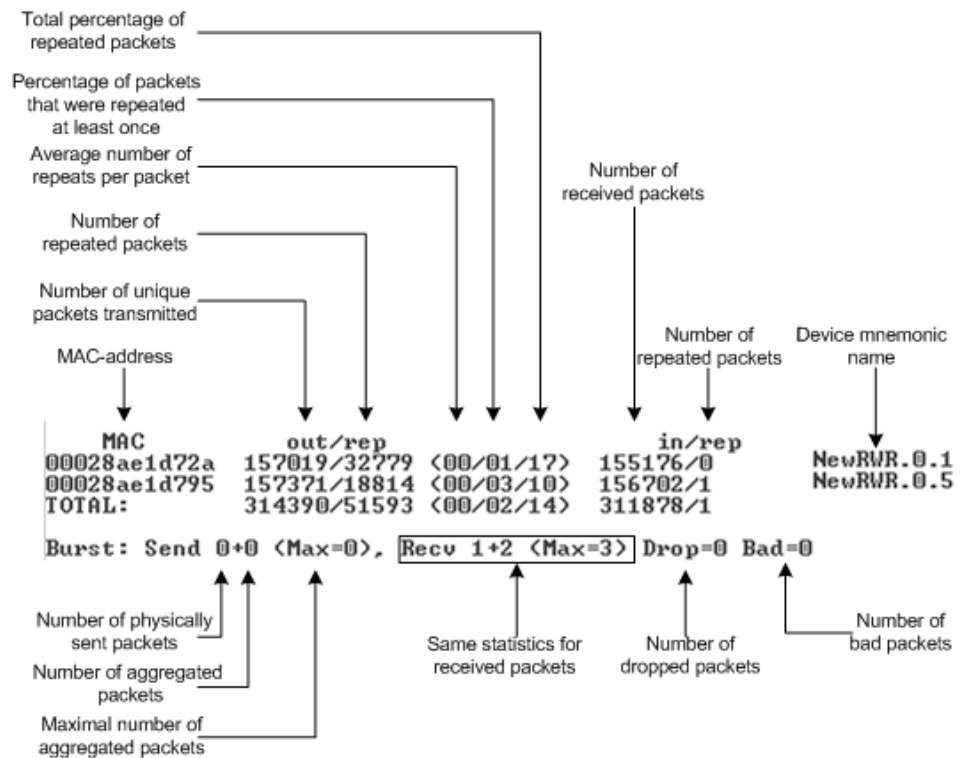
To run the `review` mode please type the following command:

```
muffer <IF-NAME> mac2
```

Statistics

The statistics gathering is used for estimating link load intensity and per client. The amount of packets sent and received, and the number of retransmissions is shown for each MAC address participating in the data exchange.

The statistics output is presented in the picture below.



The following decisions can be made by analyzing the outputted parameters:

- If the number of repeated packets is comparable with total number of packets that means that you might have an interference source on the selected frequency. For normally operating link the percentage of repeated packets should not exceed 10%. It is extremely important to obtain a permanent zero value for the average number of repeats per packet. If the value is not zero that means that the link is NOT working properly and requires further improvement
- If total percentage of repeated packets and the percentage of packets that were repeated at least once are close to each other that might mean that you have got a permanent source of interference. Otherwise, it means that a strong interference source appears from time to time breaking your signal
- Concerning the fact that statistics module outputs the information for each MAC-address separately, you can reveal the problem for some specific unit on the wireless network

The **"muffer stat"** command shows the statistics only from registered devices.

To view **statistics** type the following command:

```
muffer stat
```

To reset all counters please type

```
muffer stat clear
```

Other modes of muffer

The **muffer** also has the following modes:

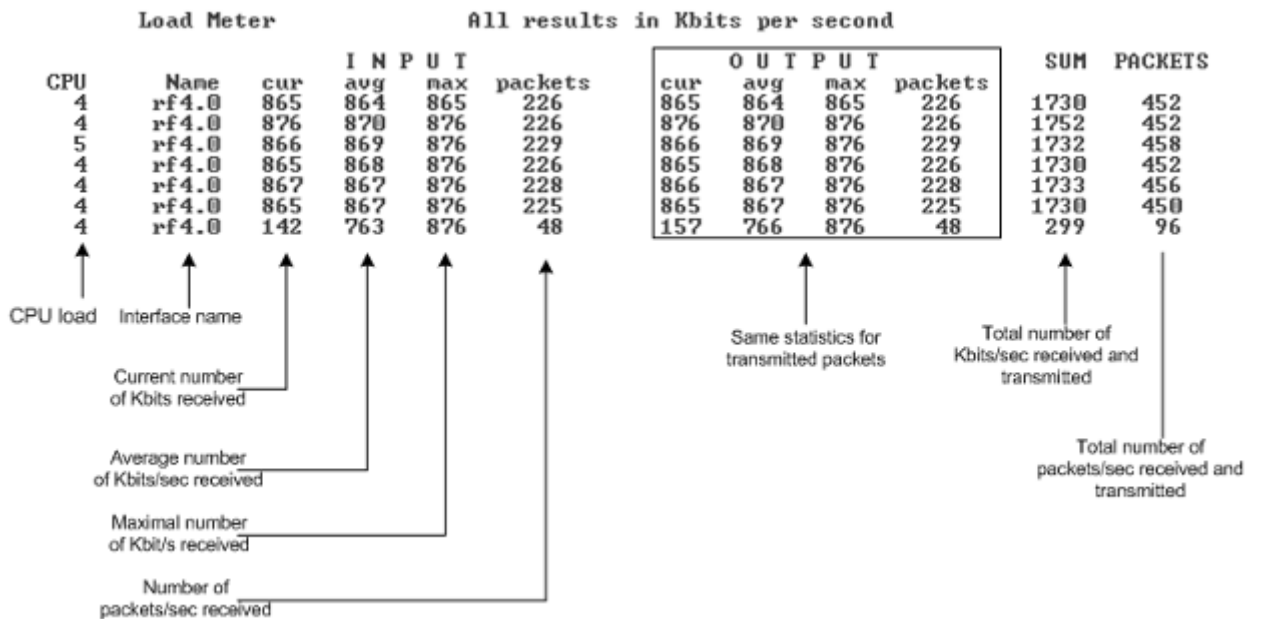
- **mac** mode. Compared to the **mac2** mode this mode does not take link-level ACK messages sent by protocol support devices into account
- **mynet** mode performs the radio testing without disturbing radio module's normal operation, but taking into account only packets from within the given network

- **sid** mode. The **sid** regime allows estimating the number of currently operating subscriber groups having different identifiers (SID), and the efficiency of air links utilization. The analysis is carried out for all network identifiers at the frequency previously specified for the radio module by **rfconfig** command.

Load Meter

Load meter is a powerful tool that allows estimating the load of a system interface specified by interface parameter. By default, the information is displayed on one line and updated every second; the load is measured in kilobytes.

Below picture shows the load meter output for the radio interface outputted in line-by-line mode with one second interval.



To run load meter like it is shown above, please type:

```
loadm -l <IF-NAME>
```

Acquiring interfaces statistics

Interface statistics can be acquired using **netstat** module which includes two modes:

- Routing tables output (using **-r** parameter with the command)
- Interfaces statistics output (using **-i** parameter with the command)

Below picture shows the example of interfaces statistics output.

Interface name	Maximum transfer unit size			Number of errors on receiving		Number of errors on transmitting	
Name	Mtu	Network	Address	Ipkts	Ierrs	Opkts	Oerrs
lo0	1500	Link:		46	0	46	0
lo0	1500	127.0.0.0/8	127.0.0.1	46	0	46	0
eth0	1500	Link:	00:04:35:00:09:ff	80649	0	18390	0
eth0	1500	195.38.45.64/26	195.38.45.80	80649	0	18390	0
eth0	1500	192.168.3.0/24	192.168.3.2	80649	0	18390	0
eth0	1500	192.168.111.0/24	192.168.111.1	80649	0	18390	0
rf4.0	1500	Link:	00:02:8a:e1:d7:87	323340	6194	328657	3073
rf4.0	1500	9.9.0.4/30	9.9.0.5	323340	6194	328657	3073
rf4.0	1500	9.9.0.0/30	9.9.0.1	323340	6194	328657	3073
null0	1500	Link:		0	0	0	0
tun0*	1500	Link:		398	0	359	0



If the interface has several aliases the statistics is still measured for physical interface in a whole. For example, see rf5.0 or eth0 interfaces above. The numbers shown in 4 right columns correspond in physical interface.

InfiNet Wireless RapidView-1

InfiNet Wireless RapidView-1 – is a special diagnostic device that is used for InfiNet Wireless equipment comfort installation, antenna alignment and configuration.

Device allows getting the following information:

- Radio link establishment indication
- Visual monitoring of radio signal levels
- Receiving retries information
- Diagnostic of RF and Ethernet interfaces

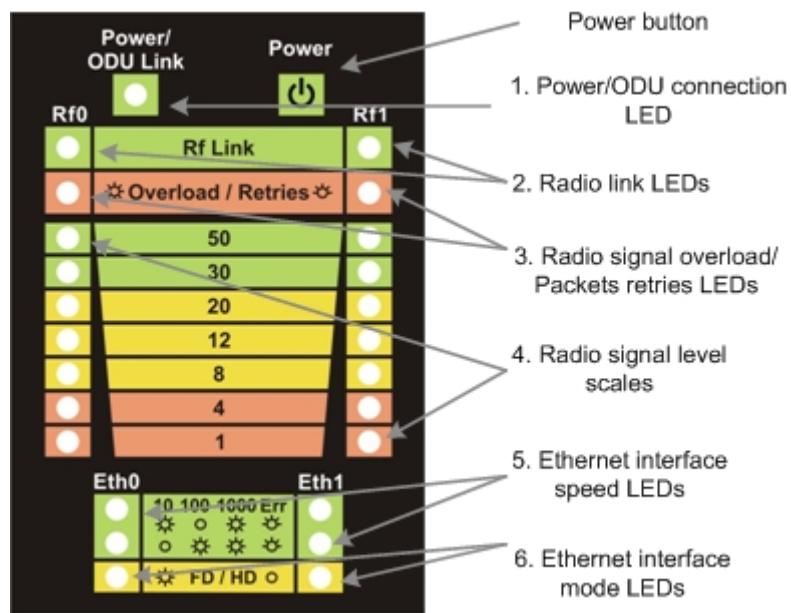
Top view:



Back view:



Indicator panel:



How to use:

Turning on:

1. For turning InfiNet Wireless RapidView-1 on simply push «Power button».
2. Device LEDs will light up for 2 seconds.
3. Device will perform constant tries to connect to ODU. If device's power is normal Power/ODU connection LED (1) will blink 1 time per second. If device's power is low LED 1 will blink 4 times per second in turn with not lighting intervals.
4. Once ODU link is established LED 1 stops blinking (if power is normal) and device's interfaces status are shown by LEDs 2-6.
5. 1 time per second device updates its status output.
6. If ODU link will be broken LEDs 2-6 will go out after 2 seconds and LED 1 will start blinking 1 time per second.

Diagnostic device connection to ODU should be done via console port of the ODU. Once link is up between ODU and diagnostic device the following record is put in ODU system log:

Connected test unit. Begin service communication over console.

Test unit detected: rf0 – rf5.0

Exact radio interface names depend on wireless equipment configuration.

When diagnostic device is unplugged from the following record is put in ODU system log:

Test unit disconnected. Return to normal console mode.

LEDs modes description:

ODU status monitoring via diagnostic device is performed by its LEDs indication. LEDs modes and ODU status correspondence is shown in the following table:

LEDs	Function															
1. Power/ODU connection LED	<p>Shows diagnostic device power status and diagnostic device-ODU connection status.</p> <p><u>Constant lighting</u> — diagnostic device-ODU connection established, diagnostic device power is normal.</p> <p><u>Blinking 1 time per second</u> — diagnostic device power is normal, diagnostic device-ODU connection is not established.</p> <p><u>Blinking 4 times per second</u> — diagnostic device-ODU connection established, diagnostic device power is low (change batteries).</p> <p><u>Frequent blinking with intervals</u> — diagnostic device power is low, diagnostic device-ODU connection is not established.</p>															
2. Radio link LEDs	<p>Show whether radio link is established on certain ODU's radio interface.</p> <p><u>Constant lighting</u> — radio link is established.</p> <p>What ODU's radio interface to show by what column RF0 or RF1 is chosen by the following way: for RF0 column is taken radio interface with the least number, for RF1 the other interface. For example, there are the following radio interfaces on ODU: Rf5.0, rf5.1. Then for RF0 column rf5.0 will be taken, for RF1 — rf5.1.</p> <p>When no radio link then LEDs 2-4 are not lighting.</p>															
3. Radio signal overload/Packets retries LEDs	<p>Show receiving radio signal level overload and number of packet retries information.</p> <p><u>Constant lighting</u> —receiving radio signal level on the interface is too high.</p> <p><u>Blinking 4 times per second</u> - number of retries \geq 50%</p> <p><u>Blinking 2 times per second</u> - number of retries \geq 28 %</p> <p><u>Blinking 1 time per second</u> - number of retries \geq 7 %</p> <p>If certain radio interface (radio module) is not present on the device then all corresponding LEDs of this radio interface is off.</p> <p>If ODU has certain radio interface but it is not activated (for example, not entered «mint rf5.0 start» command) then LED 3 is blinking 1 time per second whereas LEDs 2 and 4 are not lighting.</p> <p>If ODU has certain radio interface but it is not activated (for example, not entered «mint rf5.0 start» command) then LED 3 is blinking 1 time per second whereas LEDs 2 and 4 are not lighting.</p> <p>If ODU has certain radio interface activated («mint rf5.0 start» command entered) then LED 3 is blinking 4 times per second whereas LEDs 2 and 4 are not lighting.</p>															
4. Radio signal level scales	<p>Show receiving signal level of the established radio link.</p> <p>Each LED can be in 4 modes:</p> <p><u>Not lighting</u> — radio signal level is lower than scale value.</p> <p><u>Blinking</u> — the more frequently is blinking the nearer signal level is to given scale value.</p> <p><u>Constant lighting</u> — signal level is higher or equal to scale value.</p>															
5. Ethernet interface data rate LEDs	<p>Show data rate of the corresponding Ethernet interface.</p> <p>There are 2 LEDs for each Ethernet interface (Eth0 and Eth1).</p> <table border="1" data-bbox="497 1664 1473 1758"> <thead> <tr> <th></th> <th>10 Mbps</th> <th>100 Mbps</th> <th>1000 Mbps</th> <th>Error</th> </tr> </thead> <tbody> <tr> <td>Upper LED</td> <td>Lighting</td> <td>Not lighting</td> <td>Lighting</td> <td>Blinking</td> </tr> <tr> <td>Lower LED</td> <td>Not lighting</td> <td>Lighting</td> <td>Lighting</td> <td>Blinking</td> </tr> </tbody> </table>		10 Mbps	100 Mbps	1000 Mbps	Error	Upper LED	Lighting	Not lighting	Lighting	Blinking	Lower LED	Not lighting	Lighting	Lighting	Blinking
	10 Mbps	100 Mbps	1000 Mbps	Error												
Upper LED	Lighting	Not lighting	Lighting	Blinking												
Lower LED	Not lighting	Lighting	Lighting	Blinking												
6. Ethernet interface mode LEDs	<p><u>Constant lighting</u> — Full Duplex.</p> <p><u>Not lighting</u> — Half Duplex.</p> <p>IF Ethernet connection is established but corresponding ODU's interface is not enabled then LEDs 5, 6 indicate connection configuration by blinking 1 time per second.</p>															

VI. Configuration via Web-interface

1. Overall functionality overview

Web-interface is used for easy device management and monitoring via graphical web-based interface. Web-interface allows:

- Monitoring device interfaces statistics
- Monitoring radio link statistics
- Viewing and changing the device configuration
- Using graphical antenna alignment tool
- Wireless link throughput testing
- Device maintenance and support
- Using Spectrum Analyzer tool
- Viewing the system log.

2. Run Requirements

In order to run and properly use the application, the following requirements must be met:

- Web-browser
- Latest OS WANFlex version
- Web-interface support activated on the device (*«webcfg start» command*)
- enabled by default

To connect to the device via Web-browser type: *http://<device IP-address>* (by default: <http://10.10.10.1>).

You can also make an SSL-secured connection: *https://<device IP-address>* (by default: <https://10.10.10.1>).

3. Localization

Web-interface has multiple language support including: English (default), Russian, Italian, French and Chinese.

The "Language" drop-down menu in the upper right corner of the Web-interface window enables setting the language for the current session only (the next time Web-interface will start with the default language).

To make the localization permanent please refer to the "System Settings" description in the "Basic Settings" section.

4. Basic settings

Warning!
After pressing "Apply" button all the settings made via command line interface from the sections present in this configuration page will be replaced.
After pressing "Test" button the new configuration will be temporarily activated for about 3 minutes.

On the "Basic Settings" page the device configuration is performed. All the parameters that are available for configuration are divided into the dedicated sections (e.g. "System Settings", "Radio Settings").

To show/hide the parameters of the section just click on the section's header.

The listing and description of all the sections can be found below in this chapter.

To view the configuration that is done on the "Basic Settings" page in a CLI-based format, please use "Preview Configuration" button.

To apply the configuration changes to the unit use "Apply" button.



After pressing "Apply" button the unit's current configuration will be updated according to the parameters set on the "Basic Settings" page. The unit will be turned into the switch mode.

"Test" button allows applying temporary configuration. The original (previous) configuration restores automatically after 3 minute period (180 seconds). The period can be extended and the changes can be either accepted or rejected immediately.

Description of the sections:

System Settings

System Settings

Device Name:	<input type="text" value="BS1"/>	Start SNMP:	<input type="checkbox"/>
User Name:	<input type="text" value="admin"/>	SNTP IP Address:	<input type="text" value="."/> <input type="text" value="."/> <input type="text" value="."/> <input type="text" value="."/> <input type="button" value="X"/>
Password:	<input type="text"/>	Time Zone:	<input type="text"/>
Confirm Password:	<input type="text"/>		
Keep current system password:	<input type="checkbox"/>		
WEB Interface language:	<input type="text" value="English"/> <input type="button" value="v"/>		

This section allows viewing/setting system parameters of the unit's configuration:

- Device name – general device name
- User Name - user Name used as Login
- Password - secret password used to login into the unit
- Confirm Password - password confirmation
- Keep current system password – saves currently used password in the unit's configuration and locks "Password" and "Confirm Password" fields. In case this check-box is leaved unchecked and "Password" and "Confirm Password" fields are empty some web browsers may spontaneously put random data into them so that after the configuration is applied the password will be unknown to the user
- WEB Interface language – defines the language of WEB-interfaces (saves your language choice in the configuration and uses it in the next sessions from the start).

To change the language of your current session only, please refer to the "Localization" section of the "Web-interface" chapter.

SNTP and Time Zone settings:

- Start SNTP – starts SNTP service
- SNTP IP Address - sets SNTP server IP-address
- Time Zone – sets Time Zone. For more details on time zones please visit: http://en.wikipedia.org/wiki/Time_zone.

Radio Settings

▼ Radio Settings

Interface:	rf5.0		
Type:	Master ▼	MultiBS:	<input type="checkbox"/>
Channel Width (MHz):	40 ▼		
DFS:	DFS Off ▼		
Frequency (MHz):	5450 ▼		
Frequency Range List:	<input type="text"/>		
Tx Power (dBm):	18 ▼	Auto:	<input checked="" type="checkbox"/> - 0 +
Tx Bitrate:	300000 ▼	Auto:	<input checked="" type="checkbox"/> - 0 +

▶ Advanced Radio Settings

This section allows viewing/setting the following radio parameters:

- Interface –available radio interface
- Type – network type of the node (Master, Slave)
- MultiBS - this option enables the Slave node to constantly check the link quality and try to find another BS if the quality become worse. When the option is disabled then if the link breaks the node will firstly try to reconnect to the same BS regardless of the link quality.
- Channel Width - operating channel bandwidth of the radio in MHz. Must be equal at both sides of the link

- DFS – allows starting DFS (Dynamic Frequency Selection) service or DFS without Radar Detection
- Frequency - central operating frequency in MHz. Must be equal at both sides of the link.
- Frequency range list - list of frequencies allowed for choosing by DFS service
- Tx Power - output power of the radio in dBm. "Auto" field enables the ATPC function (recommended).

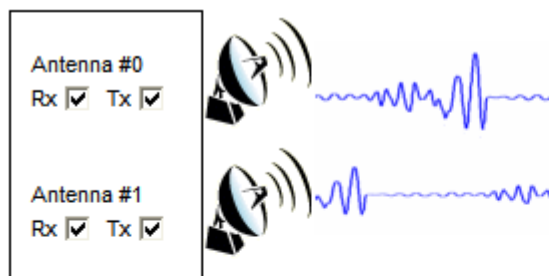
The ATPC Correction field make the ATPC function set higher ("+" number in dB) or lower ("- " number in dB) power levels compared to the value it has estimated by itself.

- Tx Bitrate - fixed operating bitrate (if numerical value chosen) or auto bitrate (Automatic Modulation Control) if "Auto" is chosen (recommended).

The Autobitrate Correction field make the Autobitrate function increase a bitrate ("- " number in dB) even if the signal level is lower by the specified number of dB than that required. Or keep the bitrate down ("+" number in dB) until the signal level becomes higher by the specified number of dB than that required.

Advanced Radio Settings

▼ Advanced Radio Settings



Channel Type: ▼

Band	Hardware/License Frequency Limitation	Current Frequency Grid
40MHz	4930-5930	4930-5930/20
20MHz	4920-5940	5275,5280,5285,5290,5295,5300,5305,5310
10MHz	4915-5945	4915-5945/5
5MHz	4912.5-5947.5	4915-5945/5

This subsection of the "Radio Settings" section allows managing the signal chains of the radio module and creating a customized frequency grid.

"Antenna #0" and "Antenna #1" Rx/Tx checkboxes enables/disables receive and transmission modes of the corresponding signal chain of the unit's radio module.

The “Channel Type” option allows switching between the Dual (MIMO -Multiple Input Multiple Output) and Single (MISO - Multiple Input Single Output) operation modes of the radio module.

The frequency grid table shows the unit’s frequency limitations supported in the unit’s license for each band (“Hardware/License Frequency Limitation” column). The “Current Frequency Grid” column allows setting a customized user-determined frequency grid within the license restrictions. The frequency grid for every band is formed in the form of a list of sub ranges with the defined frequency step (start frequency–end frequency/step), or a list of comma delimited standalone frequencies.

Network Settings

▼ Interface Settings

eth0 Settings:	Up: <input checked="" type="checkbox"/> DHCP: <input type="checkbox"/> Mode: auto ▼	Description
	<div style="display: flex; justify-content: space-between; align-items: center;"> 10 . 10 . 10 . 253 / 24 X + </div> <div style="display: flex; justify-content: space-between; align-items: center; margin-top: 5px;"> 8 . 1 . 2 . 8 / 24 X + </div>	
eth1 Settings:	Up: <input type="checkbox"/> DHCP: <input type="checkbox"/>	Description
	<div style="display: flex; justify-content: space-between; align-items: center;"> [] . [] . [] . [] / [] X + </div>	
rf5.0 Settings:	Up: <input checked="" type="checkbox"/> DHCP: <input type="checkbox"/>	Description
	<div style="display: flex; justify-content: space-between; align-items: center;"> [] . [] . [] . [] / [] X + </div>	
prf0 Settings:	Up: <input checked="" type="checkbox"/> DHCP: <input type="checkbox"/> Parent: eth0 Channel: <input type="text"/>	Description
	Remove <div style="display: flex; justify-content: space-between; align-items: center;"> [] . [] . [] . [] / [] X + </div>	
vlan0 Settings:	Up: <input checked="" type="checkbox"/> DHCP: <input type="checkbox"/> Parent: eth0 ▼ Vlan ID: 2 QinQ: <input type="checkbox"/>	Description
	Remove <div style="display: flex; justify-content: space-between; align-items: center;"> [] . [] . [] . [] / [] X + </div>	
lag0 Settings:	Up: <input checked="" type="checkbox"/> DHCP: <input type="checkbox"/> Parent (s): eth0 eth1 rf5.0 Add parent(s)	Description
	Remove <div style="display: flex; justify-content: space-between; align-items: center;"> [] . [] . [] . [] / [] X + </div>	
<div style="display: flex; justify-content: space-around; margin: 0 auto; width: 80%;"> Create Pseudo-RF Create VLAN Create LAG </div>		

This section allows viewing/setting the following network parameters:

ethX Settings - Ethernet interface settings (e.g. eth0):

- “Up” check-box enables/disables the interface

- “DHCP” check-box allows starting DHCP client on the interface
- Mode – enables setting the wired interface mode (Speed/Duplex). “Auto” mode is recommended.
- IP-address field allows assigning an IP-address to the interface. One can assign more than one IP-address to the interface by using “+” button. “X” button deletes the corresponding IP-address
- “Description” field allows adding a text note of up to 72 characters to the interface configuration.

rfX Settings - RF interface settings (e.g. rf5.0):

Please see “ethX Settings” description above.

prfX Settings – Pseudo-RF interface settings (e.g. prf0):

IW units can establish connections with each other not only via radio but also through wired Ethernet. PRF (Pseudo-RF) interface is used for this purpose. PRF interface makes Ethernet interface look like a usual radio interface through which a node can find neighbors and establish a connection with them.

Please see the full description of the PRF interface in OS WANFlex User Manual.

- For “Up”, “DHCP”, IP-address and “Description” settings please see “ethX Settings” description above.
- “Parent” check-box allows connects the PRF interface with the physical interface of the device.
- “Channel” field allows setting channel number with which the frames are sent and received by the parent interface. Frames sent to Ethernet with a specific channel number can be received on other nodes only by its PRF interfaces with the same channel number. Possible channel values are 0-3.

vlanX Settings – VLAN IEEE 802.1q settings (e.g. vlan0):

- For “Up”, “DHCP”, IP-address and “Description” settings please see “ethX Settings” description above.
- “Parent” check-box connects the VLAN interface with the physical interface of the device.
- “VLAN ID” field allows setting the VLAN tag for the current interface (1-4094)
- “QinQ” check-box enables dot1q tunneling (double-tagging) on the interface.

lagX Settings – Ling Aggregation interface settings (e.g. lag0):

Link aggregation is using multiple physical channels in parallel as one logical channel to increase the total capacity of the link and provide redundancy. To perform this functionality on the unit “lagX” logical interface is used.

- For “Up”, “DHCP”, IP-address and “Description” settings please see “ethX Settings” description above.
- “Add parents” button allows of choosing the parent physical interfaces for the aggregation.

Default Gateway – sets an IP-address for the Default Gateway.

“Create Pseudo-RF”, “Create VLAN” and “Create LAG” buttons creates the corresponding interfaces in the configuration of the unit.

Link Settings

▼ Link Settings

Interface:	rf5.0
Enable link:	<input checked="" type="checkbox"/>
Network SID:	<input type="text" value="10101010"/>
Node Name:	<input type="text" value="Unknown node"/>
Node ID:	<input type="text" value="35163"/>
Security Key:	<input type="text"/>
Encryption:	<input checked="" type="checkbox"/>
Marker Access:	<input type="checkbox"/>
Join Interfaces:	<input type="checkbox"/>
Trap gateway:	<input type="checkbox"/>
Switch group:	<input type="text" value="--"/> ▼
Authentication Mode:	<input type="text" value="public"/> ▼

This section allows viewing/setting the following link parameters:

- Interface – available radio interface (or PRF interface)
- Network SID - Network System Identifier (up to 8-digit HEX figure). All units that are supposed to see each other on the same radio link must have the same SID value
- Node Name - the network name for the node
- Node ID - the sequential number for the node. The parameter is optional
- Security Key - key word to encode protocol messages. The key can be up to 64 characters long and should not contain spaces (or should be put in quotes). All units that are supposed to see each other on the same radio link must have the same Security Key
- Encryption – enables hardware-accelerated AES-128 encryption for all the traffic
- Marker Access - turns marker access (Polling) mode on. This mode is recommended for PMP and long PTP links (7+ km). Should be enabled just at the Base Station or at one side of the PTP link (do not enable polling at both sides, otherwise wireless connection will fail!)
- Join Interfaces - allows radio and Pseudo-RF interfaces of the unit to interconnect with each other as if they are two separate network nodes

Please see the full description of the Join function in OS WANFlex User Manual

- Trap gateway – sets the unit as SNMP relay.
The information about SNMP relay will be automatically distributed throughout the MINT network. The nodes can use remote SNMP services
- Switch group – enables local traffic (for example, NAT or routed traffic generated by local nodes) to be switched in one of the switch groups defined on the unit
- Authentication Mode – sets the type of nodes authentication (public/static). More details can be found in OS WANFlex User Manual in the “Nodes authentication” section of the “Mint” Chapter.

Fixed Links

▼ Fixed Links

▼ rf5.0

MAC	Disabled	Key	Note
00:00:28:BA:F2:34 X	<input type="checkbox"/>	12345678	
<input type="button" value="Remove"/>			
<input type="button" value="Add"/>			

This section enables creation of the local nodes database. For more information on nodes authentication and local nodes database please refer to the “Nodes authentication” and “Creating local nodes database” sections of the “Mint” Chapter in OS WANFlex User Manual.

Available parameters are:

- MAC – defines the MAC-address of the node with which a connection can be established
- Disabled – disables the corresponding record in the local database
- Key - unique unit’s key (key word or phrase up to 64 characters long; if contains spaces should be put into quotes). Used in authentication procedures. The same key should be specified in the settings of the connecting node (“mint IFNAME –key”)
- Note – use this field to make some word note (description) for the specified node.
- “Remove” button – removes the corresponding record in the local database.

- Normal – standard mode
 - Trunk – in this mode the packets are untagged and placed in groups with a number corresponding to the packet's VLAN TAG. (please see the full description of the trunk mode in OS WANFlE X User Manual)
 - In-Trunk – this mode allows indicating to what trunk group belongs the group (please see the full description of the trunk mode in OS WANFlE X User Manual)
 - Upstream – this mode is used for upstream multicast flows in video surveillance systems (please see the full description of video surveillance system configuration in OS WANFlE X User Manual)
 - Downstream – this mode is used for downstream traffic in video surveillance systems (please see the full description of video surveillance system configuration in OS WANFlE X User Manual)
- Description - allows adding a text note to the group configuration
 - Up and down arrows allows to change the group's order
 - "Remove Group" button – deletes the group
 - Group Rules – allows adding rules that defines what packets should be processed by the group
 - Default Action – the action (permit or deny) taken on the packet if it doesn't match to any rule.

Rules

The screenshot shows a web-based configuration interface for 'Rules'. At the top left, there is a dropdown menu currently set to 'pcap'. To its right is a text input field. Further right are buttons for 'Validate', 'Action:' (set to 'permit'), up and down arrow buttons, and a 'Remove Rule' button. Below this row are two buttons: 'Help' and 'Add Rule'.

This subsection of the "MAC Switch" section allows adding rules that define what packets should be processed by the group.

- Pcap/vlan field – defines whether the rule is a PCAP expression or a VLAN list
- Rule field – a field where a rule shall be typed in. To view the rules help please use the "Help" button in the "MAC Switch" section (described above).
- Validate – checks if the rule typed in the "Match" field has the right syntax
- Action – the action (permit or deny) taken on the packet if it matches the rule
- Up and down arrows allows to change the rule's order
- "Remove Rule" button – deletes the rule
- "Add Rule" button – creates a new rule's entry in the "Group Rules" subsection.

IP Firewall

▼ IP Firewall

Direction	Interface	Action	Log	Rule	Help		
<input style="border: none; background: none; color: white; font-size: small; vertical-align: middle;" type="button" value="Input"/> ▾	<input style="border: none; background: none; color: white; font-size: small; vertical-align: middle;" type="button" value="Any"/> ▾	<input style="border: none; background: none; color: white; font-size: small; vertical-align: middle;" type="button" value="Permit"/> ▾	<input type="checkbox"/>	<input style="width: 100px;" type="text"/>	<input style="border: none; background: none; color: white; font-size: small; vertical-align: middle;" type="button" value="Validate"/>	<input style="border: none; background: none; color: white; font-size: small; vertical-align: middle;" type="button" value="↑"/> <input style="border: none; background: none; color: white; font-size: small; vertical-align: middle;" type="button" value="↓"/>	<input style="border: none; background: none; color: white; font-size: small; vertical-align: middle;" type="button" value="Remove Rule"/>
<input style="border: none; background: none; color: white; font-size: small; vertical-align: middle;" type="button" value="Add Rule"/>							

IP Firewall is a mechanism of filtering packets crossing an IP network node, according to different criteria. You can find full information on IP Firewall in OS WANFlex User Manual.

This section allows creating of IP Firewall rules that determine which packets may be accepted/forwarded by the node.

- “Help” button – displays help guidelines for rules creation
- Direction – sets the rule as incoming (Input) or outgoing (Output). The incoming filters determine which packets may be accepted by the node. The outgoing filters determine which packets may be forwarded by the node as a result of routing
- Interface – specifies the logical interface of the unit which the rule will be applied to. If “any” option is used the rule will be applicable to all available interfaces
- Action – the action (permit or deny) taken on the packet if it matches the rule
- Log – enables registering filter actions in the system log
- Rule - a field where a rule shall be typed in
- Validate – checks if the rule typed in the “Rule” field has the right syntax
- Up and down arrows allows to change the rule's order
- “Remove Rule” button – deletes the rule
- “Add Rule” button – creates a new rule's entry.

SNMP

▼ SNMP

▶ Access

▶ Traps

This section allows managing SNMP (Simple Network Management Protocol) functionality.

Access

▼ Access

<input style="border: none; background: none; color: white; font-size: small; vertical-align: middle;" type="button" value="Help"/>	Start SNMP: <input checked="" type="checkbox"/>	Version 1 enable: <input checked="" type="checkbox"/>	Community: <input style="width: 50px;" type="text" value="public"/>	Contact: <input style="width: 50px;" type="text"/>	Location: <input style="width: 50px;" type="text"/>
<input style="border: none; background: none; color: white; font-size: small; vertical-align: middle;" type="button" value="Add SNMP v3 User"/>					

To enable SNMP functionality on the units and configure SNMP access parameters the "Access" subsection of the "SNMP" section is used. SNMP Versions 1 and 3 are supported.

To start SNMP services on the unit check the "Start SNMP" check-box.

SNMP Version 1 Configuration:

The "Version 1 enable" check box enables/disables SNMP Version 1 support. The "Community" field sets a community name for the SNMP Version 1 agents. The default community name is "public".

The optional "Contact" and "Location" fields enable adding information about the unit's owner and location.

SNMP Version 3 Configuration:

To add a new SNMP Version 3 user press "Add SNMP v3 User" button. Then fill in the following parameters in the appeared fields:

▼ Access

Help Start SNMP: Version 1 enable: Community: public Contact: Location:

User Name	Password	Security	Readonly	Admin	Privacy Password	Privacy Protocol	
michel	12345678	Authorization and Privacy	<input checked="" type="checkbox"/>	<input type="checkbox"/>	qwerty	DES	Remove User

Add SNMP v3 User

- User Name – sets the SNMP Version 3 user's name.
- Password – sets the user's password for the authentication. Should contain at least 8 characters.
- Security – sets an SNMP Version 3 security level as follows:
 - No Authentication No Privacy – SNMP messages are sent unauthenticated and unencrypted.
 - Authentication No Privacy – SNMP messages are sent authenticated and unencrypted.
 - Authentication and Privacy – SNMP messages are sent authenticated and encrypted. The passphrase for the encryption can be set in the "Privacy Password" field. The encryption protocol can be chosen in the "Privacy Protocol" drop-down field.
- "Readonly" check-box – if checked permits only to read the variables. If unchecked permits Read-Write operations.
- "Admin" check-box – if checked provides full access to the variables. If unchecked gives only limited access.
- "Remove User" button removes the user from the SNMP configuration.

Several users can be added to the SNMP configuration.

To display help on the SNMP configuration parameters use the "Help" button.

Traps

▼ Traps

Help Enable SNMP Traps: Agent IP: ... X Transport: IP Gateway MAC: ::::: X

Destination:
...: X +

topoGroup
 topoEvent
 newNeighborEvent
 lostNeighborEvent

mintGroup

snmpdAuthenticationFailureEvent
 syslog

Clone Remove Clear

SNMP protocol enables a network agent to send asynchronous messages (traps) when some specific event occurs on the controlled device (object). InfiNet Wireless units have a built-in SNMP Traps support module (agent) that performs a centralized information delivery from the unit's internal subsystems to the SNMP server. The SNMP Traps agent can be configured in this subsection.

To start SNMP Trap agent on the unit check the "Enable SNMP Traps" check-box.

Available parameters:

- Agent IP – agent's own IP-address sent with SNMP-trap packets
- Transport – transport method (IP or MINT Gateway). When "IP" is chosen SNMP-traps are sent to the SNMP server with the IP address specified in the "Destination" field.

When "MINT Gateway" is chosen SNMP-traps is sent to the SNMP server via the SNMP network agent running on some other device (Gateway). To direct SNMP traps to the gateway type its MAC-address in the "Gateway MAC" field. If the "Gateway MAC" field is left blank SNMP traps are automatically sent to the defined MINT SNMP relay (to set the units as MINT SNMP relay use "Trap gateway" check-box in the "Link Settings" section).

- Destination - sets an SNMP server's IP-address and UDP port (port 162 is used by default). The below trap check-boxes defines the traps and the groups of traps to be sent to the server.

The "Clone" button adds enables adding multiple SNMP servers.

The "Clear" button unchecks all the trap check-boxes for the server.

- "Help" button – displays help on the SNMP Traps configuration parameters.

QoS Options

▼ QoS Options

Auto Prioritization:

RTP Packets: Dot1p Tags:
IP ToS: TCP Acknowledgments:

Miscellaneous:

Strict Prioritization: ICMP Prioritization:

This section allows managing traffic prioritization.

“Auto Prioritization”:

This set of check-boxes allows enabling/disabling automatic traffic prioritization for different types of packets.

- RTP Packets – enables automatic prioritization for real time packets
- Dot1p Tags – enables automatic prioritization for packets labeled with IEEE 802.1p priority
- IP ToS - enables automatic prioritization for packets labeled with ToS
- TCP Acknowledgments – enables automatic prioritization for TCP Acks.

“Miscellaneous”:

These options allow choosing the prioritization policy applied to the traffic queues and enabling ICMP prioritization.

- “Strict Prioritization” check-box enables “Strict Priority” prioritization policy (otherwise, by default, “Weighted Fair Queuing” policy is used). Please see the description of these prioritization policies in OS WANFlex User Manual.
- “ICMP Prioritization” check-box enables prioritization of ICMP (Internet Control Message Protocol) packets.

5. Device Status

InfiNet wireless Language: English

Device Status Basic Settings Maintenance Spectrum Analyzer Command Line logout

CPU 33% Memory 22262K / 56537K Flash 4038K / 16002K

Interface Statistics

Interface	MAC Address	Status	Mode	Packets Rx/Tx	Errors Rx/Tx	Load (kbps) Rx/Tx	Load (pps) Rx/Tx
eth0	0004350092fd	Up	100 Mbps Full Duplex	740623/815	0/0	6/0	8/0
rf5.0	000e8e201326	Up	300 Mbps / 5750 MHz / 40 MHz	975371/204864	0/0	44/90	29/23

Wireless Links Statistics for Interface rf5.0 (Unknown node ID: 37629) Noise: -92 dBm Links: 1 ATPC:On Autobitrate:On Polling:Off

Link Quality	MAC Address	Name	Node ID	Distance (Km)	Transmit Power (dBm) Rx/Tx	Control Level (dB) Rx/Tx	Current Level (dB) Rx/Tx	Bitrate Rx/Tx	Retries (%) Rx/Tx	Errors (%) Rx/Tx	Load (kbps) Rx/Tx	Load (pps) Rx/Tx
■	000e8e2009a3	Test_node_1	36398	0	18/18	51/50	27/27	300/300	2/0	0/0	43/94	34/26

Hint: Click on link data to invoke Extended Link Diagnostics menu

Refresh Auto Refresh: Auto Refresh Time (sec): Show System Log

The “Device Status” page allows viewing CPU/memory/flash usage and monitoring statistics of the unit’s interfaces and radio wireless connections and using the graphical “Antenna alignment” tool and performing radio link performance tests and viewing the system log.

The “Interface Statistics” section displays the following parameters of all available interfaces of the device:

- Interface – the name of the interface
- MAC Address – the MAC-address of the interface
- Status – the status of the interface (Up, Down)
- Mode – main working parameters currently used by the interface for its operation
- Packets Rx/Tx – the number of received/transmitted packets via the interface
- Errors Rx/Tx – the number of errors on the interface when receiving/transmitting
- Load (kbps) Rx/Tx – the data load of the interface in kilobits per second
- Load (pps) Rx/Tx – the data load of the interface in packets per second.

The “Wireless Links Statistics” section displays all neighboring devices which the interface (RF or Pseudo-RF) of the given node is connected to. The following radio link parameters are displayed:

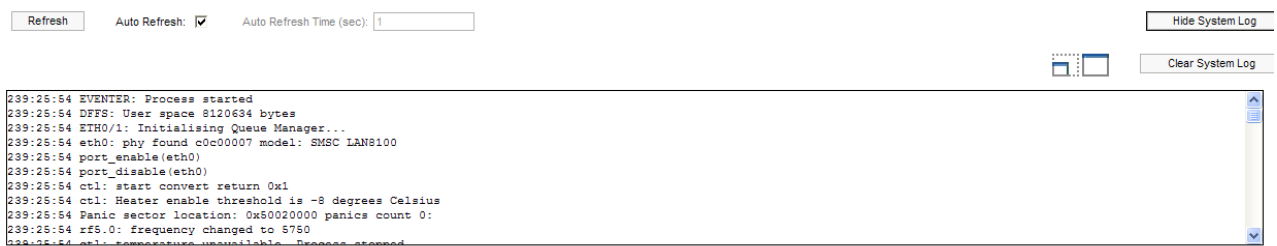
- Link Quality – indicates the quality of the link to a neighboring device: green – the link has acceptable characteristics, yellow – the link has significant problems, red – the link has unsatisfactory characteristics.
- Neighbor – the neighbor’s name
- MAC Address – the neighbor’s MAC address
- Node ID – the sequential number of the neighboring node
- Distance – the distance of the link
- Transmit Power (dBm) Rx/Tx – transmit power values for remote/local sides of the link in dBm
- Control Level (dB) Rx/Tx – signal levels for receiving/transmitting (in dB) measured relative to the minimum possible bitrate


- Current Level (dB) Rx/Tx - signal levels for receiving/transmitting (in dB) measured relative to the Rx/Tx bitrates that are currently used for the link
- Bitrate Rx/Tx – the bitrates for receiving/transmitting that are currently used for the link
- Retries (%) Rx/Tx – measured percentage of the resent packets on the link for receiving/transmitting
- Errors (%) Rx/Tx – measured percentage of the errors on the link for receiving/transmitting
- Load (kbps) Rx/Tx – the data load of the link in kilobits per second
- Load (pps) Rx/Tx – the data load of the link in packets per second

The “Refresh” button updates the statistics.

The “Auto Refresh” check-box enables automatic statistics update. The update frequency (in seconds) can be set by the “Auto Refresh Time” parameter. The minimal possible value, “0” seconds, makes update process instant.

The “Show System Log” button shows the “System Log” section.



The “System Log” section allows browsing the unit’s system log. It is possible to minimize/enlarge the system log window with the following buttons: .

The “Clear System Log” button deletes all the information from the system log.

To hide the “System Log” section press “Hide System Log” button.

Extended Link Diagnostic

Once the unit is wirelessly connected to the remote neighbor it is possible to make extended diagnostic and optimization of this link. To do this just mouse-click on the row containing the data of the wireless link you want to test (see the picture below):

The screenshot shows the InfiNet Wireless web interface. At the top, there are tabs for 'Device Status', 'Basic Settings', and 'Maintenance'. Below these, there are progress bars for 'CPU 4%' and 'Memo'. The 'Interface Statistics' section shows a table with columns 'Interface' and 'Mode'. The 'Wireless Links Statistics' section shows a table with columns 'Link Quality', 'Neighbor', and 'Mode'. The 'Neighbor' column contains 'Test_node_1'. An 'Extended Link Diagnostics' dialog box is open, showing two options: 'Performance tests' and 'Antenna alignment tool'. A red circle highlights 'Test_node_1' and a red arrow points to the 'Antenna alignment tool' option.

Then choose “Antenna alignment tool” or “Performance tests” from the appeared “Extended Link Diagnostic” window.

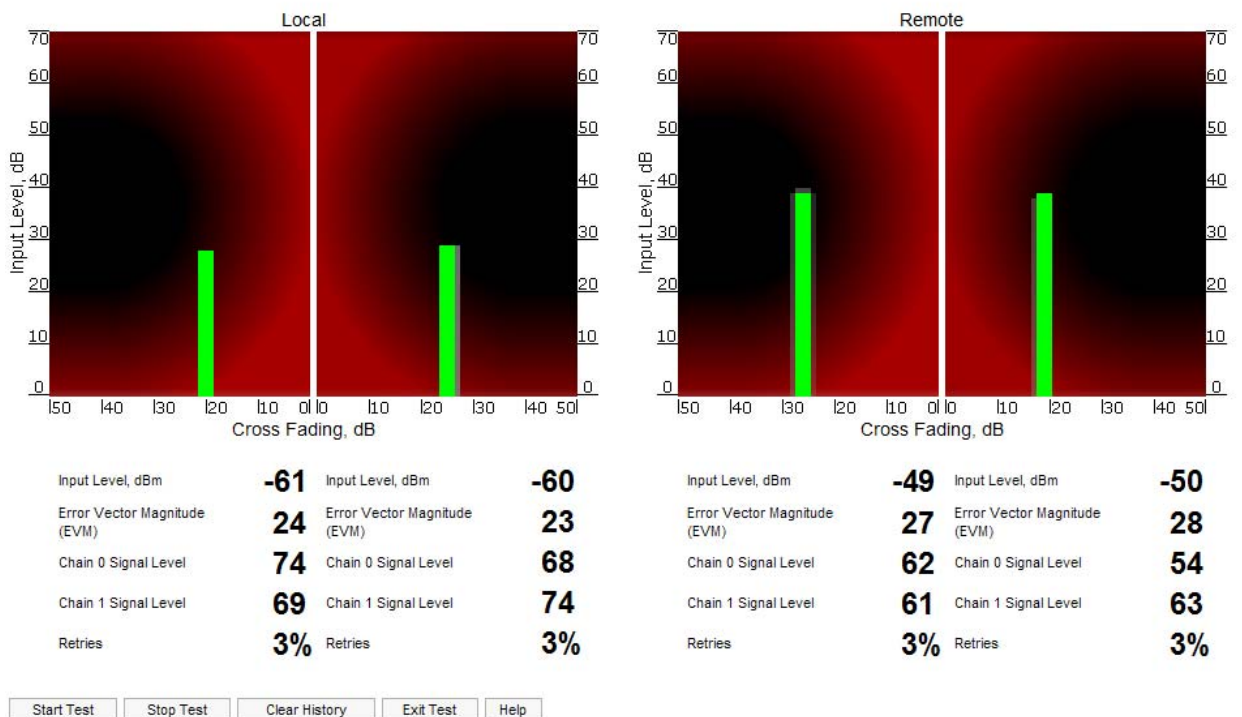
Antenna alignment tool

Graphical antenna alignment tool visualize antenna alignment process making it quicker, easier and comfortable for the user.

“Antenna alignment tool” page view for “R5000-Xm” device models is shown below:



Alignment Test (Interface rf5.0, MAC 000e8e201325, Neighbor Test_node_1)



“Start Test”/“Stop Test” buttons at the bottom of the page start/stop the alignment test.

“Exit Test” button returns to the “Device Status” page.

“Help” button displays help guidelines for antenna alignment.

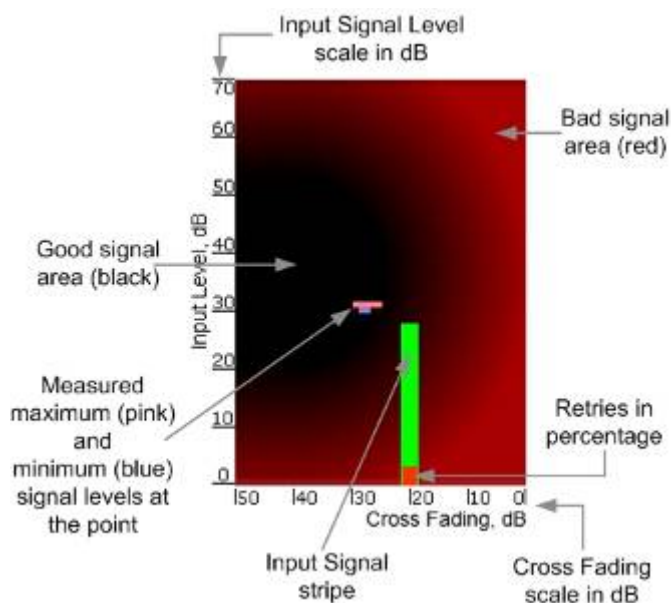
Once the test is started antenna alignment can be monitored using graphical and text indicators. Indicators for both local and remote devices are displayed together on the same page that allows viewing the alignment process for both sides of the link.

Each side of the link (local and remote) has two similar test indicator sets corresponding to two antenna polarizations (rx chains) of the device (one for Vertical polarization and another for Horizontal). This allows controlling the alignment process for each antenna polarizations for local and remote devices simultaneously.

Text indicators are the following:

- Input Level, dBm – RSSI indicator of the input signal. Measured in dBm.
- Error Vector Magnitude (EVM) – indicator of the measured input signal quality. It should be as high as possible. The recommended level is not less than 21.
- Chain 0 Signal Level – input signal level indicator of antenna number 0 (vertical polarization).
- Chain 1 Signal Level – input signal level indicator of antenna number 1 (horizontal polarization).
- Retries – percentage of transmit packet retries.

Graphical indicator:



The main item in the graphical indicator is Input Signal stripe.

The height of the Input Signal stripe is measured by Input Signal Level scale in dB. The higher is the stripe the stronger is the signal.

The stripe can change its location along the Cross Fading scale that shows how much influence the corresponding device antenna has on the other one, i.e. how much vertically and horizontally polarized signals influence each other. The higher value has the stripe according to the Cross Fading scale (the farther stripe is from the 0 dB value) the less influence antennas have on each other.

The top of the Input Signal stripe can be located in black (Good signal) or red (Bad signal) background areas or somewhere in washed border between them. It means the signal is good, bad or average correspondingly. When aligning the antenna it is recommended to try to achieve the stripe top to be located in the black area.

At the bottom of the Input Signal stripe may appear a special red sub-stripe. This sub-stripe indicates the presence of packet retries and its percentage of the total transmitted packets number.

During alignment test the Input Signal stripe may be moving along Cross Fading scale and increase or decrease in height indicating the changes in the received signal. When the top of the stripe is changing its location moving from one point on the background area to the other it commonly leaves pink and blue marks that indicate measured maximum and minimum levels of the signal at the particular point. Thus it makes possible to observe the "history" of the signal changes. To clear the marks use "Clear History" button at the bottom of the page.

Main recommendations when using "Antenna alignment tool":

1. It is recommended to start antenna alignment with searching maximum signal level on a minimal possible bitrate. Afterwards automatic MINT mechanisms will set the most appropriate bitrate when "**Autobitrate**" mode will be enabled.

2. Input signal level should be between 12 and 50. ATPC is recommended to be enabled.

If signal level it is more than 50 it is recommended to lower amplifier power (ATPC will do it automatically).

If maximal signal level is less than 12 it is recommended to lower channel width (for example, from 20MHz to 10MHz).

In some cases signal level that is less than 12 may be enough for radio link operation. In this case one has to be guided by such parameters as number of retries and Error Vector Magnitude. If the number of retries is small and EVM is more than 21 (Input Signal stripe is green) then the radio link, most often, will be operating properly.

3. Retries value should be zero or as low as possible.

4. The top of an Input Signal stripe should be located in the black area.

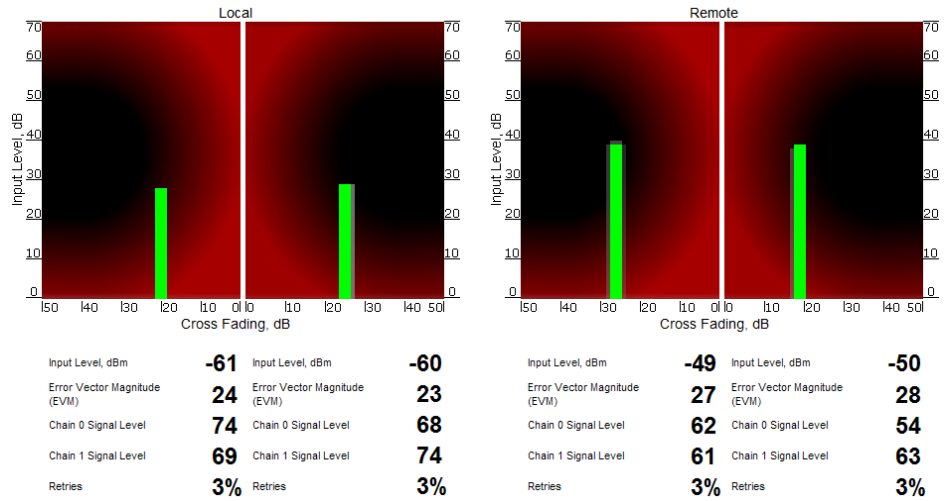
5. The signal quality should be good: EVM value should be more than 21.

6. Input signals of the two antennas of the device should have similar Cross fading values (Input Signal stripes should be located symmetrically relating to the 0 dB value).

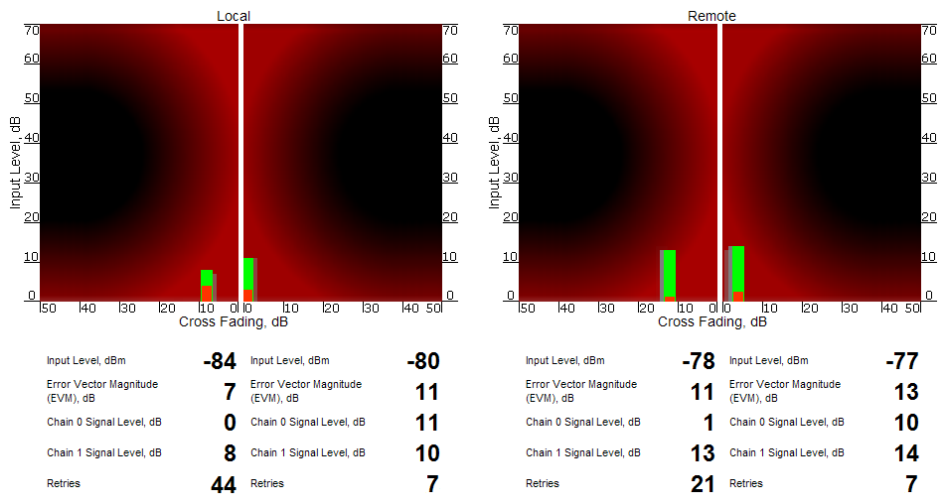
ALL described recommendations are applicable to both (Local and Remote) sections.

Link samples:

- Good link sample



• Bad link sample



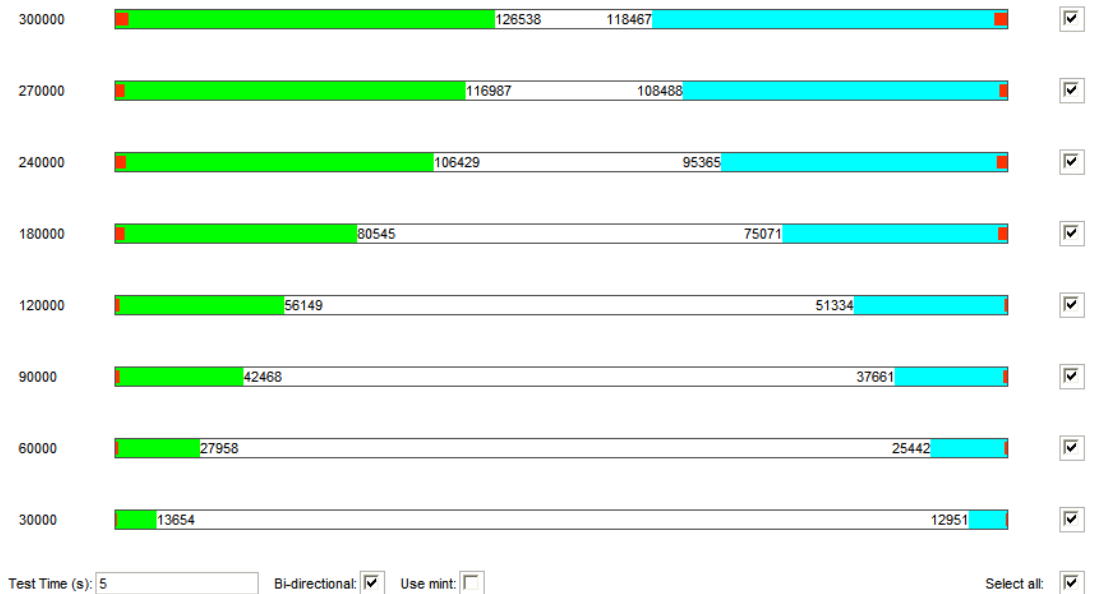
Performance tests

The "Performance tests" page allows performing link throughput tests on all the bitrates that are available for the configured channel bandwidth.

"Performance tests" page view is shown below:



Performance Test (Interface rf5.0, MAC 000e8e201325, Neighbor Test_node_1)



Notes:
 - All results are given in kilobits per second.
 - Retries levels are shown by red chart.

“Run Tests”/“Stop Tests” buttons at the bottom of the page start/stop the performance tests.

“Back” button returns to the “Device Status” page.

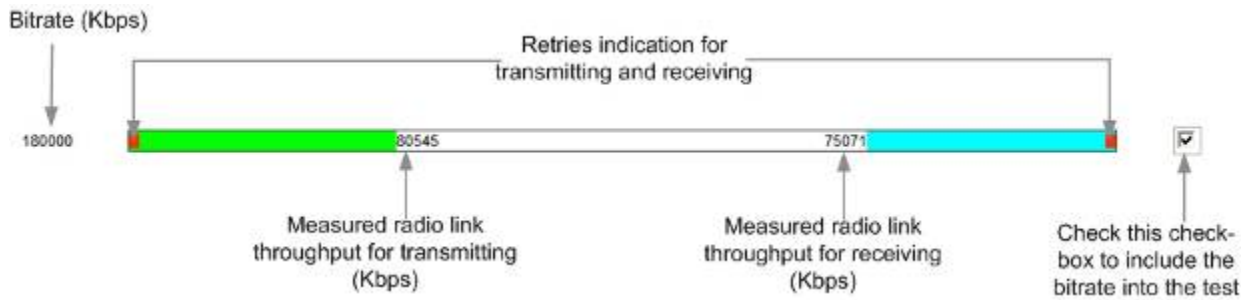
Each row corresponding to a certain bitrate value can be selected or deselected for participating in the performance test by using a check-box on the right of it. By using “Select all” check-box all the bitrates could be selected/deselected at once.

Three more parameters are available for management:

- “Bi-directional” check-box that allows choosing between making bi-directional (when checked) and unidirectional (unchecked) performance tests.
- “Use mint” check-box allows performing MINT-enabled test when all the traffic and link parameters are controlled and managed by MINT functions such as ATPC and autobitrate. In this mode the statistics for errors and retries is not available.
- “Test time” parameter allows setting the duration of the test for each bitrate in seconds (5 seconds by default).

The bitrates list on the “Performance test” page consists of the bitrates that corresponds to the channel bandwidth set on the unit (5/10/20/40MHz). To perform the tests for the bitrates related to the other channel bandwidth you need to reconfigure channel bandwidth (“Channel Width” parameter in the “Radio Setting” section of the “Basic Settings” page) on both units that form the tested link.

Bi-directional performance test output description for 180 Mbps bitrate (40MHz channel bandwidth):



Extended Interface Statistics

Extended Interface Statistics tools allow gathering complete information and enhanced statistics on the unit's interfaces. Each interface type has its own set of available tools applicable to it.

To access the Extended Interface Statistics tools make a mouse-click on the row with the interface on which you want to get statistics in the "Interface Statistics" section (see the picture below):

The screenshot shows the InfiNet Wireless web interface. At the top, there are navigation tabs for 'Device Status', 'Basic Settings', and 'Maintenance'. Below these, a CPU usage indicator shows 'CPU 4%'. The main content area is divided into sections: 'Interface Statistics', 'Wireless Links Statistics', and 'Network Address Table'. In the 'Interface Statistics' section, a table lists interfaces 'eth0' and 'rf5.0'. The 'rf5.0' row is highlighted with a red circle, and a red arrow points to it. A dialog box titled 'Please select' is open, showing three radio button options: 'General Statistics' (selected), 'Radio Sources Analysis', and 'Network Address Table'. The dialog box also has 'OK' and 'Cancel' buttons. Below the interface statistics, there is a 'Refresh' button, an 'Auto Refresh' checkbox (checked), and an 'Auto Refresh Time (sec):' input field set to '1'.

Then choose the statistic tool you need from the appeared window.

General Statistics

The General Statistics tool shows statistics on the interface such as the interface mode, current status, receive and transmit statistics and so on. The actual statistics details depend on the interface type (i.e. Ethernet, RF and other).

Radio Sources Analysis

The Radio Sources Analysis tool tests the electromagnetic environment and enables to estimate utilization efficiency of the radio links, reveal sources of interference and estimate their power.

Network Address Table

The Network Address Table tool shows the network address table for the interface.

6. Maintenance

The “Maintenance” page allows performing service tasks for the device maintenance.

The «Firmware» section of the page shows current firmware version, firmware build date, serial number and system up time.

The «Upload»/«Download» sections allow uploading and downloading license files, firmware and configuration on/off the device.

The following buttons can be used:

- «Reboot» button - reboots the device
- «Restore Factory Settings» button - restores factory default configuration
- “View Current License” button - shows current device license parameters in a separate window
- “View Current Configuration” button - shows current device configuration in text format in a separate window
- “Create Diagnostic Card” button – Tech Support Reports Generator: creates a text file that contains complete information set from the device such as: full device configuration listing, system log output, license information, “mint map detail” command output, interfaces statistics and so on.

7. Spectrum Analyzer



The «Spectrum Analyzer» page provides deep analysis of radio emission sources. In this mode device scans the radio spectrum on all available frequencies. To obtain information as complete as possible, the scanning process may take some time.

The following parameters can be set to manage «Spectrum Analyzer» operation:

- Unit's radio interface
- Start frequency, determining the initial frequency for scanning in MHz
- Stop frequency, determining the ending frequency for scanning in MHz
- Band - bandwidth in MHz
- Step – scanning frequency step in MHz



It is recommended to set 1 MHz "step" value to get more precise scanning results.

- Channel mask – specifies which antenna will scan the radio environment. "Auto" value set scanning by both antennas. This parameter is applicable only to "R5000-Xm" models
- Scan Duration – time period for scanning in seconds. After the end of this time period scanning will be stopped and radio interface will be back to normal mode operation

- Enable Grid – draws grid lines and highlights the special frequency channel on the scan output. Special highlighted frequency channel can be used to mark a channel that the device is currently working on or that is planned for using
- Grid Width –bandwidth value for the highlighted frequency channel in MHz
- Grid Frequency – central operating frequency for the highlighted frequency channel
- Gradient Max RSSI – shows gradient-color marked "Max RSSI" values on the Spectrum Analyzer output screen.

To start/stop «Spectrum Analyzer» use «Start Sensor Test»/«Stop Sensor Test» buttons.

"Last Snapshot" button outputs the final scanning results. It is used when doing a spectrum scan at the remote unit on the other side of the radio link. When running a spectrum scan at such a unit (accessible via the RF interface), connection to this unit will be lost for a scan time. "Last Snapshot" button allows viewing scan results after the connection is up again.

"Help" button – displays the help note for the Spectrum Analyzer.

You can get detailed information about scanned radio signals on a specific frequency. Just point a cursor on the needed frequency and you will see a hint with exact Signal level (dBm), Frequency (MHz), Noise Floor (dBm), RSSI (dBm), High RSSI (dBm), Max RSSI (dBm) values.

8. Command line emulation

The screenshot shows the InfiNet Wireless web interface with the 'Command Line' tab selected. The terminal window displays the following configuration commands and their output:

```
dsw r5000 image auto
dsw r5000 conf 00 00

#MIB configuration
mib r5000 -name 'InfiNet Wireless R5000'
mib r5000 -mode standalone
mib r5000 -type standalone
mib r5000 -mode fixed
mib r5000 -authmode public
mib r5000 -crypt sec
mib r5000 -autoUpdate
mib r5000 autoUpdate 30000
mib r5000 http 4 loop 0
mib r5000 -log
mib r5000 -update passive normal
mib r5000 -recovery disable
mib r5000 -recovery enabled
mib r5000 start

#MIB switch config
switch group 1 add 1 eth0 r5000
switch group 1 stp on
switch group 1 start

switch admin-group 1
switch start

#HTTP configurator
webui start

#DHCP client configuration
dhcp eth0 start
```

Below the terminal window, there is a 'Command' field containing 'conf' and an 'Execute' button.

The «Command line» page emulates CLI (command line interface) in the Web-interface. It allows managing and monitoring the device by using all the commands and functions that are available via standard CLI.

To type the commands use the “Command” field and then press either the “Execute” button on the screen or “Enter” key on your keypad. The commands output are shown in the window above.

VII. Recommendations

1. Using InfiNet devices for High Bitrates

Using InfiNet devices on bitrates 48 and 54 Mbps (standard series), 104...130 Mbps (Xm-series, 20 MHz) and 240...300 Mbps (Xm-series, 40 MHz) has specific requirements because of low noise immunity of high-order modulation techniques (64 QAM).

One should take all possible precautions to prevent exceeding of parasite signals over receiver sensitivity threshold. The problem is aggravated by the presence of this parasite signal in entire spectrum.

Nevertheless, when using MINT architecture in most cases it is recommended to set the maximal bitrate on the radio interface and switch on autobitrate function. This will allow the system automatically and dynamically determine the most appropriate bitrate for the current environment conditions.

2. Design of Multi-sectored Base Stations

Using of multiple Base Station sectors with high output power with limited frequency and special gap between them increases noise level on the neighboring sectors. This can lead to the decrease of its performance. So we have ultimate choice: either optimizing base station for more bitrate/less range (without amplifiers) or optimize base station for more range/less bitrate (with amplifiers).

To deal with this problem most effectively it is recommended:

1. To increase number of sectors (commonly, up to 4-6)
2. Switch to the narrower bandwidth (5 or 10 MHz)
3. Use amplifiers and directional antennas at remote subscriber CPEs.

Remote subscribers can be configured for significantly lower than average bitrates providing more stable operating modes but those subscribers can decrease overall cell performance; so try to avoid mix solutions when the BS-CPE has a big difference for different subscribers.

4. Use Xm-series devices that have much higher performance, NLOS and robust characteristics than standard-series ones.

3. Asymmetrical System Design

Following conclusions regarding using base station can be made:

- Downstream bitrate (base to CPE) is usually higher than upstream;
- Beam width of base station sectored antenna is 10 times wider than beam width of subscriber antenna;
- Trying to deploy base stations on area heights leads to raising overall noise level and reducing noise immunity;
- Subscriber SNR measured at a base station is significantly worse than that of subscriber side.
- Increasing transmit bitrate does not influence the overall working conditions and network performance;
- Increasing receive bitrate does worsen noise immunity and network performance.

Every step in bitrate increasing requires 3 dB step improvements SNR. Asymmetry in 8 times corresponds to 9 dB. It means that without link quality losses we can have 2 times bitrate difference between upstream and

downstream. In order to maintain energetic parameters, we have to increase base station output power by 9 dB by means of built-in amplifier (for example to use 300-500mW devices).

4. «Bad subscriber» problem

While working in Point-to-Multipoint topology wireless network could face a problem when one of the subscriber devices has much poorer connection characteristics to Base Station than the other ones. Such subscriber device is using a considerable part of Base Station's resources. While Base Station is trying to send him a packet on a low bitrate other subscribers are waiting for this transaction to finish. Therefore, all the networks' performance will be reduced.

To lower the influence of such "bad subscriber" on the overall wireless network's performance it is recommended to decrease a priority of this subscriber (using "qm" command). In this case all the packets to "bad subscriber" will be sent after other subscriber stations already get their portions of data. This will result in wireless network performance optimization as subscriber devices' operation won't depend on the bitrate of "bad subscriber".

5. TDM transmission

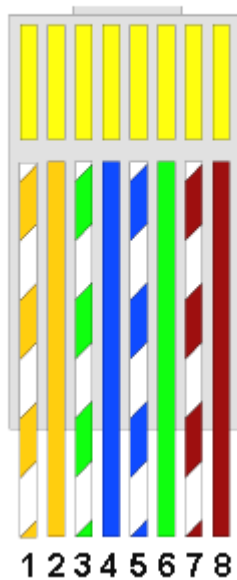
InfiNet Wireless equipment allows E1/T1 flows transmission via the radio channel in Point-to-Point topology. The System ensures transmission of 4 TDM channels and 45 Mbps Ethernet data simultaneously. Moreover, IW devices with TDM support allow Multi-hop TDM transmission when E1/T1 data are sent via several wireless Point-to-Point hops.

VIII. Supplementary information

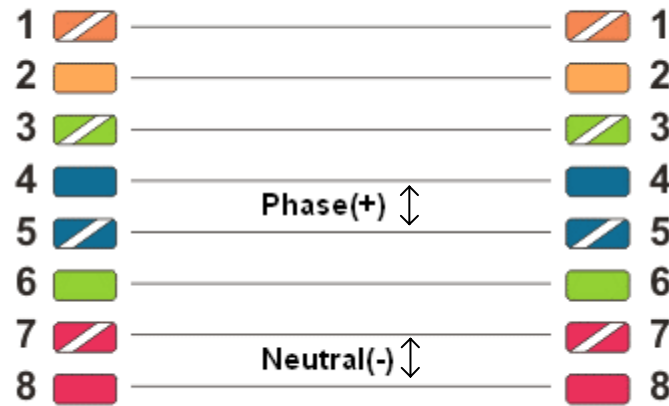
1. Connectors soldering schemes

"RJ-45" service cable connector soldering scheme

RJ-45 Male Ethernet connector



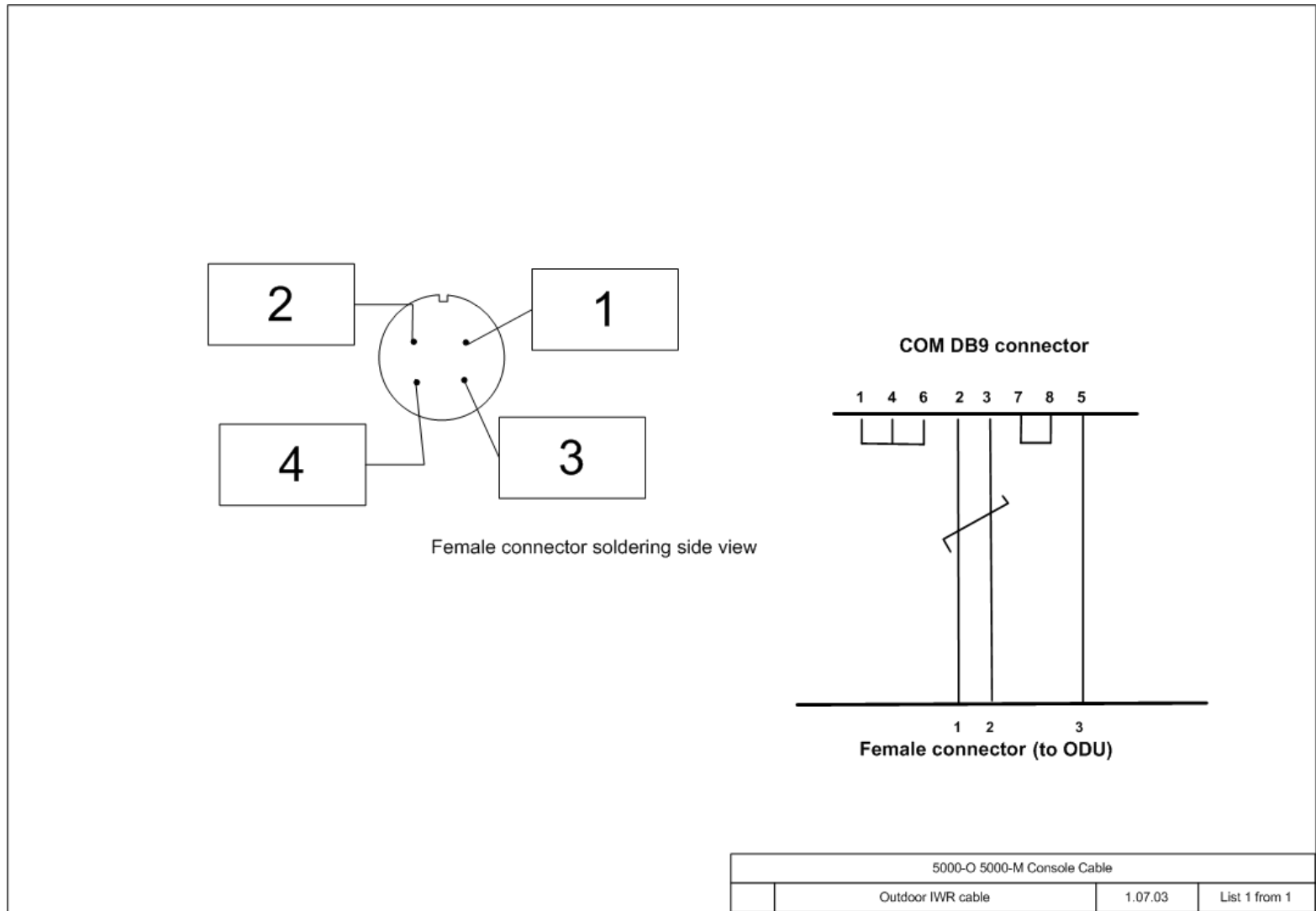
Male connector to ODU



Male connector to IDU

- 1: White-orange**
- 2: Orange**
- 3: White-green**
- 4: Blue**
- 5: White-blue**
- 6: Green**
- 7: White-brown**
- 8: Brown**

Console cable connector soldering scheme



"E1" Jack soldering scheme

PIN	Signal
1	Rx tip
2	Rx ring
3	not used
4	Tx tip
5	Tx ring
6	not used
7	not used
8	not used

