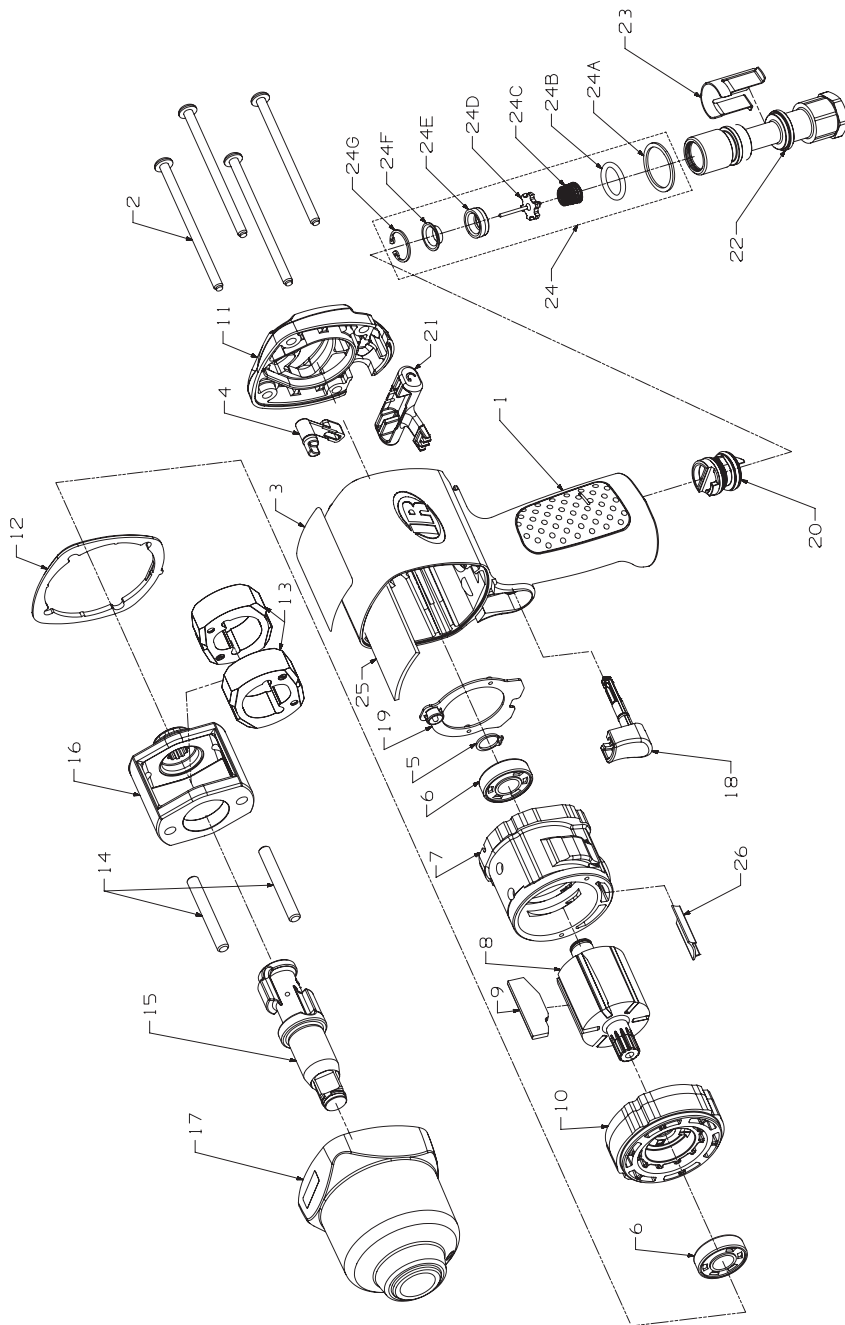


# 2130XP Air Impact Wrench Exploded Diagram



(Dwg. TP2189XP)



[www.irttools.com](http://www.irttools.com)

© 2004 Ingersoll-Rand Company

Form 04584645

Edition 1

October 2004

## 2130XP Air Impact Wrench Parts List

Item	Part Description	Part Number	Item	Part Description	Part Number
*	Housing Assembly	2130XP-A40	20	Reverse Valve Assembly	2130-D329
1	Housing	---	21	Reverse Button	2130-75
3	Nameplate/Warning Label	---	*	Inlet Bushing Assy (Includes 22, 23 & 24)	2131-D565
2	Screw, Hammer Case (4 required)	2130-638	22	Inlet Bushing	2131-565
3	Nameplate/Warning Label	2130XP-301	23	Inlet Clip	2131-57
4	Power Regulator Assy	2130-D249	24	Inlet Parts Kit	2131-K303
5	Retaining Ring	2131-6	24A	Washer	---
6	Ball Bearing (2 required)	402-22	24B	O-Ring, Seal	---
7	Cylinder	2130-3	24C	Spring	---
8	Rotor	2131-53	24D	Valve	---
9	Vane Pack (set of 6)	2131-42A-6	24E	Seat	---
10	End Plate	2131-11	24F	Support	---
11	Rear Cap	2130-12	24G	Retainer	---
12	Hammer Case Gasket	2130-36	25	Muffler Felt	2130QT-311
*	Impact Mechanism Kit (2130XP)	2130-IMK1	26	Inlet Baffle	2130-318
*	Impact Mechanism Kit (2130XP-2)	2130-IMK2	*	Tune-Up Kit	2130-TK1
12	Hammer Case Gasket	---	5	Retaining Ring	---
13	Hammer (2)	---	6	Ball Bearing (2)	---
14	Hammer Pin (2)	---	9	Vane Pack (set of 6)	---
15	Anvil Assembly	---	12	Hammer Case Gasket	---
16	Hammer Frame	---	18	Trigger Assy	---
*	Kit Grease	---	19	Motor Gasket	---
17	Hammer Case Assy	2130-D727A	20	Reverse Valve Assy	---
18	Trigger Assy	2130-D1093	24	Inlet Parts Kit	---
19	Motor Gasket	2130-283	*	Inlet Clip Removal Tool	2131-322

\* Not Illustrated

## Parts and Maintenance

When the life of the tool has expired, it is recommended that the tool be disassembled, degreased and parts be separated by material so that they can be recycled.

Tool repair and maintenance should only be carried out by an authorized Service Center.  
Refer all communications to the nearest **Ingersoll-Rand** Office or Distributor.

## Related Documentation

For additional information refer to:  
Air Impactool Product Safety Information Manual 04580916,  
Air Impactool Product Information Manual 04584876.

Manuals can be downloaded from [www.irttools.com](http://www.irttools.com).