

# OPERATOR'S MANUAL

# 636103

INCLUDING: OPERATION, INSTALLATION & MAINTENANCE  
INCLUDE MANUAL: 636027 HYDRAULIC COUPLERS AND ADAPTERS (PN 97999-183)

RELEASED: 8-7-85  
REVISED: 11-20-00  
(REV. L)

## 636103

## "DU-ALL" CONTROL HANDLE LIGHT WEIGHT PISTOL GRIP



**READ THIS MANUAL CAREFULLY BEFORE INSTALLING,  
OPERATING OR SERVICING THIS EQUIPMENT.**

It is the responsibility of the employer to place this information in the hands of the operator. Keep for future reference.

**⚠ WARNING** Whip Hose must not be used on this control handle in place of the tube and nozzle assembly. Pressures developed are too great and may burst hose causing accidental injection.

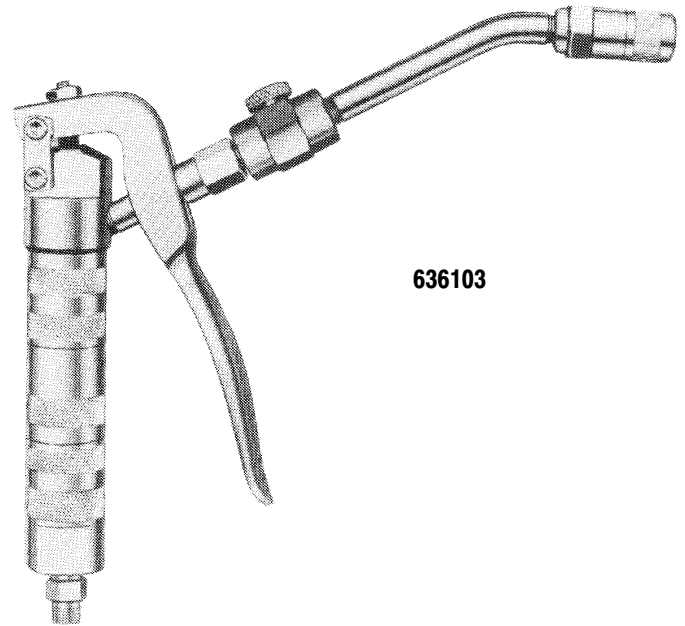
### SERVICE KITS

- Use only genuine ARO® replacement parts to assure compatible pressure rating and longest service life.
- **71139** for repair of control handle.

### OPERATION

There are no complicated adjustments and it is easy to clean and service. It uses line pressure for normal lubrication, but for tough fittings, operator merely squeezes (14) handle several times until fitting opens. A maximum of 10,000 p.s.i. (689 bar) can be reached by squeezing the (14) handle several times.

When removing the control handle from a grease fitting, do not pull the hydraulic coupler straight off of the fitting. Move the control handle so that the 636028 hydraulic coupler is at an angle of 30° to 45° from the centerline of the fitting. Doing this will ease the removal of the coupler.



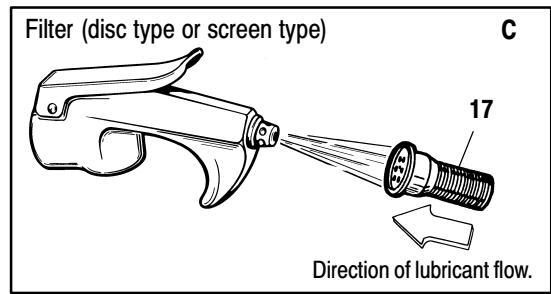
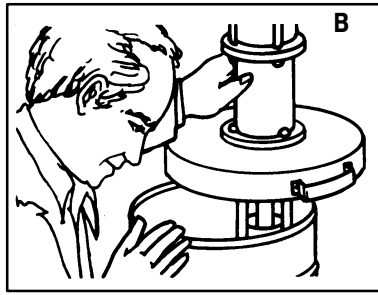
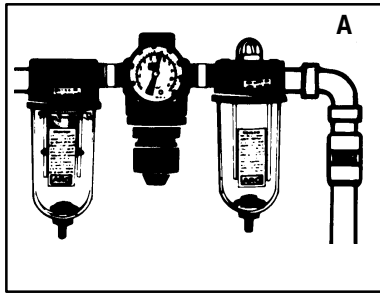
636103

## MAXIMUM INLET PRESSURE 7500 P.S.I. (517 BAR)

### **WARNING: HIGH PRESSURE DEVICE**

**IMPROPER USAGE OF EQUIPMENT COULD RESULT IN SERIOUS INJURY.  
THE POSSIBILITY OF INJECTION INTO THE FLESH IS A POTENTIAL HAZARD.  
NEVER ALLOW ANY PART OF THE HUMAN BODY TO COME IN FRONT OF OR IN  
DIRECT CONTACT WITH THE MATERIAL OUTLET.**

**AN INJECTION INJURY CAN BE SERIOUS! IF INJECTION SHOULD OCCUR, CONTACT A  
QUALIFIED PHYSICIAN FOR IMMEDIATE TREATMENT OF SUCH INJURIES.**



### SECTION 1

If little or no lubricant can be obtained from the control handle:

- A. Check air line connection to pump to make certain there is air pressure to the pump.
- B. Check lubricant container to make certain lubricant is not exhausted.
- C. If above conditions are okay and no lubricant can be obtained from the control handle, clean the filter in the bottom of the control handle.
  1. Disconnect or shut off the air supply to the pump.
  2. Pull (14) handle on the control handle to relieve pressure in the line from pump to the control handle.
  3. Remove control handle from swivel slowly. If filter is plugged, there can still be some pressure retained in the line. Remove the control handle slowly to allow pressure to bleed off slowly so that no injury can be caused by grease injection.

4. Remove (16) adapter from control handle.
5. Remove (18) spring and (17) filter.
  - a. Clean exterior of filter in a solvent with a brush to remove most of the foreign material and lubricant from the outside of the filter.
  - b. Blow air through the filter in the opposite direction of lubricant flow. CAUTION: Be sure to wear eye protection, goggles or glasses when doing this.
  - c. Repeat directions "a" and "b" until filter is clean.
6. If filter is damaged, replace it. (Deformed discs on old style filter or broken screen on new style filter which would allow dirt to pass on thru the filter).
7. Reassemble control handle and then assemble to swivel.

### SECTION 2

If lubricant leaks excessively around top of (5) piston:

- A. Replace the two (26) packings. Also replace (5) piston if it is badly scored on area that packing seals.
  1. Follow instruction 1,2 and 3 as described in Section 1.
  2. Remove the (1) nut and (2) pin that holds the two (28) links to the (27) head. This will allow the (14) handle to be moved out of the way from the (5) piston.
  3. Place the flats of the (15) body in a vice.

4. Use an end wrench or crescent wrench on the flats of the (27) head and remove the head from the (15) body.
5. Remove (25) spring and (23) spring from the (27) head.
6. Remove the (5) piston by pulling it out of the top of the (27) head.
7. Remove the (25) washer and two (26) packings from the (27) head.
8. Install two new (26) packings and (25) washer in the (27) head.
9. Reassemble the control handle in the reverse sequence of disassembly steps 6, 5, 4.

### SECTION 3

If control handle will not develop additional pressure:

- A. If dirt got by the (17) filter in the bottom of the control handle, the (9) outlet check may be fouled or the (19) balls in the (15) body may be fouled.
  1. Follow instruction 1,2 and 3 as described in Section 1.
  2. Remove (8) valve body from (10) body.
  3. Remove (11) retainer, (12) spring and (13) ball.
  4. Clean ball seat of (10) body and (13) ball.
  5. Examine ball seat of (10) body and (13) ball for nicks or score marks. Replace damaged parts.

6. Remove (27) head from (15) body.
7. Remove (22) valve seat, two (19) balls, two (20) ball stops and (21) spring from (15) body.
8. Clean ball seat in (15) body, ball seat in (22) valve seat and two (19) balls.
9. Examine ball seats and balls for nicks or score marks. Replace damaged parts.
10. Reassemble in the reverse sequence steps 8,7,6,5,3,2. See drawing of control handle for correct placement of parts.

### SECTION 4

If 636028 Hydraulic Coupler locks onto the grease fitting and cannot be removed:

- A. Unscrew the (6) needle one to two turns. This will relieve the grease pressure out of the bleed hole beside the (6) needle.

- B. Remove control handle from the grease fitting and retighten the (6) needle.

## PARTS LIST

Item	Description (size in inches)	Qty	Part No.
1	Nut	(2)	72458
2	Pin	(2)	72258
3	Nut (1/4" - 28)	(1)	Y11-104-C
4	Set Screw	(1)	2484
5	Piston	(1)	71111
6	Needle	(1)	F162-1
7	Tube	(1)	71303
8	Valve Body	(1)	3571
9	Outlet Check	(1)	71122
10	Body	(1)	71120
11	Retainer	(1)	126
12	Spring	(1)	71121
13	Ball (.1250" dia.)	(1)	Y16-204
14	Handle	(1)	71110
15	Body	(1)	73485

Item	Description (size in inches)	Qty	Part No.
16	Adapter	(1)	76493
17	Filter	(1)	76994
18	Spring	(1)	76494
✓19	Ball (.1562" dia.)	(2)	Y16-205
✓20	Spring Stop	(2)	71496
✓21	Spring	(1)	71115
✓22	Valve Seat	(1)	71116
23	Spring	(1)	F51-50
24	Spring	(1)	71114
✓25	Packing Washer	(1)	71113
✓26	Packing	(2)	71112
27	Head	(1)	71118
28	Link	(2)	70709
✓	Service Kit		71139

