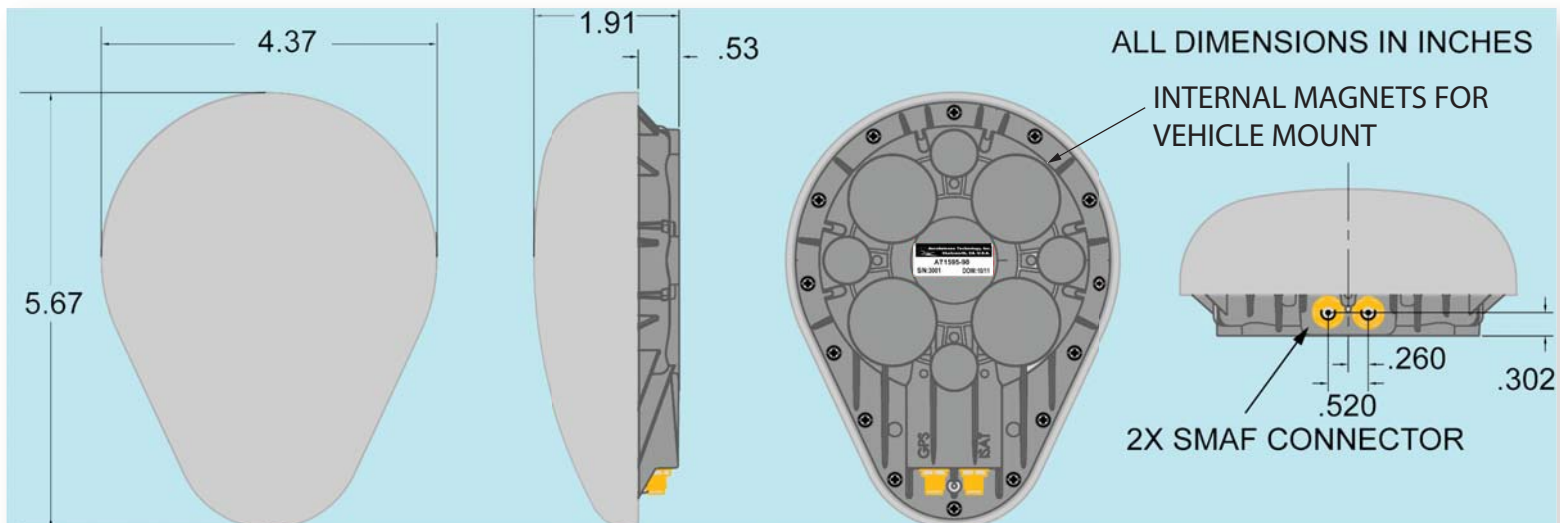




SPECIFICATION:

FREQUENCIES:	1518.0 to 1525.0 MHz Inmarsat Receive (extended) 1525.0 to 1559.0 MHz Inmarsat Receive (operational) 1575.42 ± 10.25 MHz (GPS L1) 1626.5 to 1660.5 MHz Inmarsat Transmit (operational) 1668.0 to 1675.0 MHz Inmarsat Transmit (extended)
POLARIZATION:	RIGHT HAND CIRCULAR
AXIAL RATIO:	≤4 dB, 0° ≤ θ ≤ 70° ALL BANDS
IMPEDANCE:	50 OHMS
CONNECTOR(S):	INMARSAT RX/TX = SMAF GPS = SMAF
FINISH:	UV RESISTANT GRAY RADOME WITH UV RESISTANT BLACK BASE
WEIGHT:	0.6 LB MAX.
OPERATING TEMP:	-25°C TO +55°C



AS 9100 Certified Company

20732 Lassen Street, Chatsworth, California 91311 USA Tel: (818) 993-3842 Fax: (818) 993-4525

E-mail: Sales@AeroAntenna.com