



Bluetooth® Speaker Cooler

Model: ITSBC-10



Instruction Manual



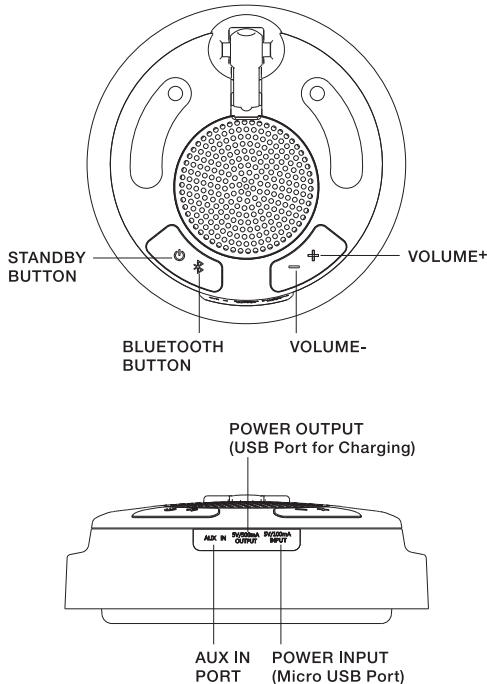
Please read these instructions fully before using and keep for future reference.

QUICK START GUIDE

1. Make sure to remove all items before discarding package. This includes:

- Bluetooth Speaker Cooler
- User Manual
- Micro USB to USB Charging Cable

2. Turn the unit ON: Press and hold the **STANDBY** button to wake up the unit, **Bluetooth** indicator will begin to flash blue.



3. Connect your smartphone, tablet or other audio device via **Bluetooth**.

- Activate the Bluetooth function on your external device.
- Select "ITSBC-10" on your device to begin pairing. You will hear an audio beep, signifying your device is paired and the Bluetooth indicator stays lit.
- Begin playing music from your device.

4. Charge your smartphone or tablet via **USB**.

- Using your device's specific charging cable (Apple® Lightning™ cable, Micro USB cable, etc.), plug your smartphone, tablet or other USB powered device into the USB Output Port. Your device will automatically begin charging. Charging will continue until your device is fully charged or the Power Bank has drained. *Important: Please check for voltage compatibility with your device prior to use.*

CONTENTS

Safety Instructions.....	1
Product Specifications.....	3
Buttons and Controls.....	3
General Operation.....	4
Bluetooth Operation.....	4
AUX IN Operation.....	4
Power Bank Operation.....	4
Battery Charging.....	5
Troubleshooting.....	5
Important Information.....	6
Warranty.....	7

SAFETY INSTRUCTIONS



The lightning flash with arrowhead within an equilateral triangle is intended to alert the user to the presence of uninsulated "dangerous voltage" within the product's enclosure that may be of sufficient magnitude to constitute a risk of electric shock.

CAUTION

RISK OF ELECTRIC SHOCK
DO NOT OPEN

CAUTION: TO PREVENT RISK OF ELECTRIC SHOCK,

DO NOT REMOVE COVER (OR BACK).
NO USER-SERVICEABLE PARTS INSIDE, REFER
SERVICING TO QUALIFIED SERVICE PROFESSIONAL.



The exclamation point within an equilateral triangle is intended to alert the user to the presence of important operating and maintenance (servicing) instructions in the literature accompanying the appliance.

Before using the unit, be sure to read all operating instructions carefully, please note that these are general precautions and may not pertain to your unit. For example, this unit may not have the capability to be connected to an outdoor antenna.

1. Read these instructions - All safety and operating instructions should be read before the product is operated.
2. Keep these instructions - The safety and operating instructions should be retained for future reference.
3. Heed all warnings - All warnings on the product and in the operating instruction manual should be adhered to.
4. Follow these instructions - All operating and use instructions should be followed.
5. Do not use this apparatus near water. Do not use the product near water and moisture, for example: near a bathtub, washbowl, kitchen sink or laundry tub; in a wet basement; or near a swimming pool.
6. The product must not be exposed to dripping of splashing, and not object filled with liquid should be placed on top of the product.
7. Clean only with slightly moist, lint-free cloth. Unplug this product from the wall outlet before cleaning. Do not use liquid cleaners or aerosol cleaners.
8. Do not block any ventilation openings. Install in accordance with the manufacturer's instructions. Slots and openings in the cabinet and in the back or bottom are provided for ventilation, to ensure reliable operation of the product and to protect it from overheating. These openings must not be blocked or covered. The openings should never be blocked by placing the product on a bed, sofa, rug or other similar surface. This product should never be placed near or over a radiator or heat source. This product should not be placed in a built-in installation such as a bookcase or rack unless proper ventilation is provided or the manufacturer's instructions have been adhered to.
9. Do not install near any heat sources such as radiators, heat registers, stoves, or other apparatus (including amplifiers) that produce heat.
10. Do not defeat the safety purpose of the polarized or grounding-type plug. A polarized plug has two blades and a third grounding prong. The wide blade or the third prong are provided for your safety. If the provided plug does not fit into your outlet, consult an electrician for replacement of the obsolete outlet.
11. Protect the power cord from being walked on or pinched particularly at plugs, convenience receptacles, and the point where they exit from the apparatus.
12. Only use attachments/accessories specified by the manufacturer.
13. Use only with the cart, stand, tripod, bracket or table specified by the manufacturer, or sold with the apparatus. When a cart is used, use caution when moving the cart/apparatus combination to avoid injury from tip-over.
14. Unplug this apparatus during lightning storms or when unused for long periods of time.
15. Refer all servicing to qualified service personnel. Servicing is required when the apparatus has been damaged in any way, such as power-supply cord or plug is damaged, liquid has been spilled or objects have fallen into the apparatus, the apparatus has been exposed to rain or moisture does not operate normally, or has been dropped.
16. Power source - The product should be operated only from the type of power source indicated on the marking label. If you are not sure of the type of power supply to your home, consult your appliance dealer or local power company. For products intended to operate from battery power, or other sources, refer to the operating instructions.
17. Power lines - An outside antenna system should not be located in the vicinity of overhead power lines or other electric light or power circuits, or where it can fall into such power lines or circuits. When installing an outside antenna system, extreme care should be taken to keep from touching such power lines or circuits as contact with them might be fatal.
18. Overloading - Do not overload wall outlets and extension cords as this can result in the risk of fire or electric shock.
19. Object and liquid entry - Never push objects of any kind into the product as they may touch dangerous voltage points or short out parts that could result in fire or electric shock. Never spill or spray any type of liquid on the product.
20. Service - Do not attempt to service this product yourself as opening or removing covers may expose you to dangerous voltage or other hazards. Refer all servicing to qualified servicing personnel.



SAFETY INSTRUCTIONS

21. Replacement parts - When replacement parts are required, be sure the service technician uses replacement parts specified by the manufacturer or those that have the same characteristics as the original part. Unauthorized substitutions may result in fire or electric shock or other hazards.
22. Safety check - Upon completion of any service or repairs to this product ask the service technician to perform safety checks to determine that the product is in proper operating condition.
23. Damage requiring service - Unplug the product from the wall outlet and refer servicing to qualified service personnel under the following conditions:
 - A: when the power-supply cord or plug is damaged.
 - B: if liquid has been spilled or objects have fallen into the product.
 - C: if the product has been exposed to rain or water.
 - D: if the product does not operate normally by following the operating instructions. Adjust only those controls that are covered by the operating instructions as improper adjustment may result in damage and will often require extensive work by a qualified technician to restore the product to its normal operation.
 - E: if the product has been dropped or the cabinet damaged in any way.
 - F: when the product exhibits a distinct change in performance - this indicates a need for service.
 - G: A warning that batteries (battery pack or batteries installed) shall not be exposed to excessive heat such as sunshine, fire or the like.

CAUTION

Danger of explosion if battery is incorrectly replaced.
Replace only with the same or equivalent type.

24. The marking information is located at the bottom of the apparatus.
25. RF warning statement: The device has been evaluated to meet general RF exposure requirement. The device can be used in portable exposure condition without restriction.

Warning

Please refer the information on exterior bottom enclosure for electrical and safety information before installing or operating the apparatus.

Caution:

1. Use of control and adjustments or performance of procedures other than those specified here may result in hazardous radiation exposure.
2. If this product develops trouble, contact qualified service centers, and do not use the product in a defective state.

Usage

1. Before use, choose unit installation location carefully. Avoid placing in direct sunlight or close to a source of heat. Also avoid locations subject to vibrations and excessive dust, cold or moisture. Keep away from sources that hum, such as transformers or motors.
2. Do not open the cabinet as this might result in damage to the circuitry or electrical shock. If a foreign object should get into the set, contact your dealer.
3. When removing the power plug from the wall outlet, always pull directly on the plug, never pull the cord.
4. Do not attempt to clean the unit with chemical solvents as this might damage the finish. Use a clean, dry cloth.
5. In order to shut off the power to this product completely, unplug the power cord from the wall outlet. Be sure to unplug the unit if you do not intend to use it for an extended period of time, such as while on vacation.
6. Keep this manual in a safe place for future reference.

PRODUCT SPECIFICATIONS

Bluetooth Range	Up to 33 feet (10 meters)
Battery Capacity	4,400mAh Lithium Ion (16.28Wh)
Play Time	12 Hours (at 50% Volume) / 8 Hours (at Max Volume)
Charging Input	DC 5V, 1.0A
Charging Time	6 Hours
Max Power Consumption	8 Watts
Power Output	5 Watts
Product Size	240mm x 240mm x 350mm
Included	<i>Bluetooth Speaker Cooler, User Manual, Micro USB to USB Charging Cable</i>

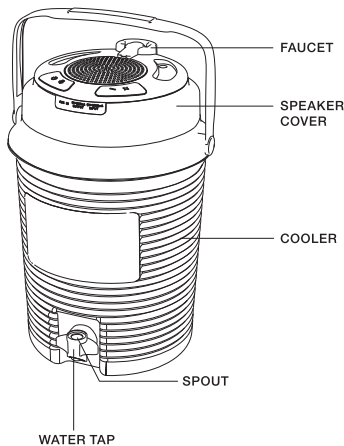
NOTE: As a result of continual improvements, the design and specifications of this product are subject to change without notice.

Made in China.

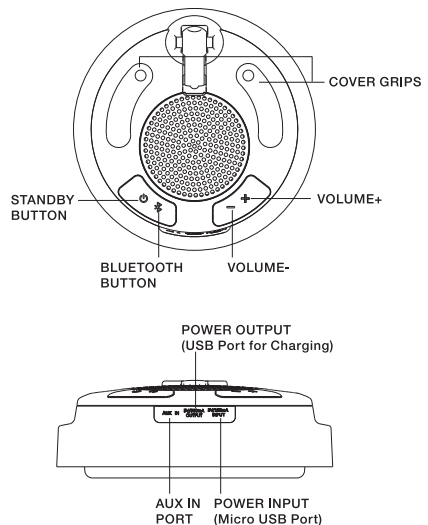
Bluetooth is a registered trademark of Bluetooth SIG, Inc.
Other trademarks and trade names are those of their respective owners.

BUTTONS AND CONTROLS

Bluetooth Speaker Cooler



Speaker Cover



NOTE: Power Output Port should only be used for charging external USB devices (5V/500mA). If the Cooler is not used for an extended period of time, the cover may be hard to open. Simply flip up the Facuet to allow some air flow into the Cooler. Use the Cover Grips and rotate counterclockwise. The Cover will loosen and become easier to open.

GENERAL OPERATION

STANDBY BUTTON

Press and hold the STANDBY button to turn ON the unit.
Press and hold the STANDBY button again to turn OFF the unit.

BLUETOOTH BUTTON

The BLUETOOTH button functions as a PLAY / PAUSE button.
Simply press once to pause playback, press again to resume playback.
To disconnect from your Bluetooth device, press and hold the BLUETOOTH button.

VOLUME CONTROL

Press the + to raise the volume and the - button to lower the volume.

OPEN / CLOSE THE COOLER COVER

Turning the Cooler Cover clockwise tightens / closes the Cooler.
Turning the Cooler Cover counterclockwise loosens / opens the Cooler.
Opening the Cooler Cover allows access to the liquid or contents inside.

FAUCET / SPOUT OPERATION

Simply flip up the Faucet or push down on the Spout. Then lean the Cooler in the direction of the Faucet or Spout until the liquid begins to pour out.

BLUETOOTH OPERATION

Connecting an External Device via Bluetooth:

1. Press and hold the STANDBY button to turn ON the unit, the bluetooth indicator will flash blue.
2. Activate the Bluetooth function on your external device.
3. Select "ITSBC-10" on your device to begin pairing. You will hear an audio beep, and the Bluetooth indicator will remain lit signifying your device is paired.
NOTE: In some cases, the device may ask you to input "0000" (four zeros) as a password.
4. To disconnect a device, press and hold the BLUETOOTH button until the bluetooth indicator flashes blue. Follow steps 1-3 again to pair with a new device.

NOTE: The unit can only connect with one device at a time. For proper use please ensure that both the unit and your device are within the standard Bluetooth range of 33ft or 10m.

AUX IN OPERATION

1. Press and hold the STANDBY button to turn ON the unit.
2. Use a 3.5mm Auxiliary Cable (not included) to connect the unit with an external non-bluetooth audio device such as a MP3 player, MP4 player, smartphone or tablet.
3. The LED Indicator will turn GREEN to signify your audio device is connected.
4. Your audio device controls the music playback, track and volume adjustment.

POWER BANK OPERATION

Using your device's specific charging cable (Apple® Lightning™ cable, Micro USB cable, etc.), plug your smartphone, tablet or other USB powered device into the USB Output Port. Your device will automatically begin charging. Charging will continue until your device is fully charged or the Power Bank has drained. *Important: Please check for voltage compatibility with your device prior to use.*

BATTERY CHARGING

Recharge the internal battery by inserting the supplied Micro USB to USB Charging Cable into the DC 5V Input port on the side of the Speaker. Connect the USB charging Cable to a 5V 1A USB power adaptor (not supplied). The Battery Indicator LED will turn Orange while charging. Once charging is complete the Battery Indicator will turn Green. Charging may take up to 6 hours, depending on the power source. *NOTE: When the Speaker Cooler battery is low and needs to be charged an audio warning will beep every 30 seconds until plugged in.*

NOTE: If the unit has not been used for a long period of time, the rechargeable battery may be discharged into a “sleep mode”. To initialize the battery, it is recommended to charge for longer than 6 hours but **DO NOT** exceed 24 hours. Battery life will vary depending on operation. Loud music with heavy bass will drain the battery faster than spoken word audio.

CAUTION: The built-in rechargeable battery is not replaceable. Do not remove or replace it, do not throw in the trash or in a fire. Do not dispose device into a standard garbage disposal site. Dispose device at available Battery Recycling Sites after fully discharging battery. Not doing so may violate local disposal laws and regulations. Please refer to local regulations for proper battery disposal.

TROUBLESHOOTING

If you're experiencing problems with your unit, here are some quick and easy checks that you can help solve the problems.

THE UNIT WILL NOT TURN ON

- Make sure the unit is fully charged.

THE UNIT WILL NOT CHARGE

- Make sure your wall outlet has proper power supply.
- Check that you are connecting the power adaptor cable into the unit correctly.

THE UNIT WILL NOT CONNECT VIA BLUETOOTH

- Make sure the Pairing Mode is enabled on your device and / or the unit.
- Disconnect your paired device and reconnect.
- Delete/forget the unit on your device's Bluetooth menu, then reconnect.
- Make sure your device and the unit are within range (33ft / 10m) of each other.

NO SOUND

- Re-connect to your device via Bluetooth or Aux-In.
- Increase the volume of the unit and / or your device.
- Make sure the battery is fully charged.

POOR SOUND QUALITY

- Bluetooth technology is sensitive to objects between your device and the unit, ensure they are within Bluetooth range (33ft / 10m) of each other.

IMPORTANT INFORMATION

WATERPROOF RESISTANCE:

The Bluetooth Speaker Cooler has a Waterproof IPX4 level of protection, which means the Speaker will work in water splashing conditions, such as near sprinklers, pools or any outdoor area where splashing may occur. DO NOT fully submerge the Speaker into any liquid. If you feel the product was significantly wet, make sure to thoroughly dry the speaker before use.

PLEASE NOTE: DO NOT Place or Wash Bluetooth Cooler Speaker in Dishwasher. The Cooler must be hand washed when cleaning. Never fully submerge components or electronic ports while cleaning and always make sure Cooler is thoroughly dried when done.

FCC Statement

1. This device complies with Part 15 of the FCC Rules. Operation is subject to the following two conditions: (1) This device may not cause harmful interference, and (2) this device must accept any interference received, including interference that may cause undesired operation.
2. Changes or modifications not expressly approved by the party responsible for compliance could void the user's authority to operate the equipment.

NOTE: This equipment has been tested and found to comply with the limits for a Class B digital device, pursuant to Part 15 of the FCC Rules. These limits are designed to provide reasonable protection against harmful interference in a residential installation. This equipment generates uses and can radiate radio frequency energy and, if not installed and used in accordance with the instructions, may cause harmful interference to radio communications. However, there is no guarantee that interference will not occur in a particular installation. If this equipment does cause harmful interference to radio or television reception, which can be determined by turning the equipment off and on, the user is encouraged to try to correct the interference by one of the following measures:

- Reorient or relocate the receiving antenna.
- Increase the separation between the equipment and receiver.
- Connect the equipment into an outlet on a circuit different from that to which the receiver is connected.
- Consult the dealer or an experienced radio/TV technician for help.

WARNING: Any changes or modifications not expressly approved by the party responsible for compliance could void the user's authority to operate this equipment.

RF warning statement:

The device has been evaluated to meet general RF exposure requirement. The device can be used in portable exposure condition without restriction.

California Prop 65 Warning

"WARNING" This product contains chemicals known to the State of California to cause birth defects or other reproductive harm. For more information on these regulations and a list of chemicals, log on the following website address: <http://www.oehha.ca.gov/prop65.html>

NOTE: This user manual has provided proper instructions to the users of the device, as well as usage restrictions, including the limits of exposure durations. The device is designed for reliable performance, and the user manual states detailed installations, proper operations, as well as special usage conditions, which comply with SAR and RF field strength limits. Users of this product should carefully study the user manual before using this device.

INDUSTRY CANADA:

This equipment complies with Industry Canada license –exempt RSS standard(s).

Operation is subject to the following two conditions: (1) this device may not cause interference, and (2) this device must accept any interference, including interference that may cause undesired operation of the device.

Le présent appareil est conforme aux CNR d'Industrie Canada applicables aux appareils radio exempts de licence. L'exploitation est autorisée aux deux conditions suivantes: (1) l'appareil ne doit pas produire de brouillage, et (2) l'utilisateur de l'appareil doit accepter tout brouillage radioélectrique subi, même si le brouillage est susceptible d'en compromettre le fonctionnement.

WARRANTY

Innovative Technology Electronics LLC.

Limited Warranty: 90 Days Labor, One Year Parts

Innovative Technology Electronics LLC. (IT) warrants the product to be free from "Defects" in materials under normal use for a period of "One Year" from the date of the original purchase. The Warranty is "Not" transferable. IT agrees, within the initial "90 Day" period, to repair or replace the product if it is determined to be defective at "No Charge". It is further agreed that IT will cover the cost to repair or replace damaged "Parts" only for a total period of "One Year" from the date of the original purchase. The warranty does not cover cosmetic damage, antennas, AC cords, cabinets, headbands, ear-pads, or damage due to line power surges, connection to improper voltage supply or settings, misuse, mishandling, accident, acts of God or attempted repair by an unauthorized service agent.

To obtain service, the purchaser MUST present an original sales receipt / proof of purchase. Please contact us at www.ithomeproducts.com to request an RMA (Return Material Authorization) number to return products for service or replacement. Returns without an RMA number on the package will be refused and returned to sender. Upon receipt of the returning item and our full inspection (IT) may issue a replacement to customer for the same item or of one that has equivalent value and features. To return an item, supply full name, return address, phone number, item purchased, receipt of purchase and reason for return to obtain RMA number.

All returns must be in the original packaging or reasonable substitute to prevent damage. Customer "Must" include full name, shipping address and telephone number inside of package. No return will be shipped back to a PO Box or APO address.

Please include your check or money order in the amount of:

- **USD\$5.00 for items \$10.00 to \$39.99 (Price Paid Per Unit)**
- **USD\$10.00 for items \$40.00 to \$99.99. (Price Paid Per Unit)**
- **USD\$16.00, for items \$100.00 and up. (Price Paid Per Unit)**
- **Shipping fees are non-refundable**

to be payable to Innovative Technology Electronics LLC. (for handling and return shipping charges) (IT) will not be responsible for delays or unprocessed claims resulting from a purchaser's failure to provide any / all of the necessary information. Send all inquiries or RMA request via our website www.ithomeproducts.com/support.

Innovative Technology Electronics LLC.

1 Channel Drive

Port Washington, NY 11050

Toll free: 1-877-483-2497

Website for support: www.ithomeproducts.com/support

There are no express warranties except as listed above.

REPAIR OR REPLACEMENT AS PROVIDED UNDER THIS WARRANTY IS THE EXCLUSIVE REMEDY OF THE CUSTOMER, (IT) SHALL NOT BE LIABLE FOR ANY INCIDENTAL OR CONSEQUENTIAL DAMAGES FOR BREACH OF ANY EXPRESS OR IMPLIED WARRANTY ON THIS PRODUCT EXCEPT TO THE EXTENT PROHIBITED BY APPLICABLE LAW. ANY IMPLIED WARRANTY OF MERCHANTABILITY OR FITNESS FOR A PARTICULAR PURPOSE ON THIS PRODUCT IS LIMITED IN DURATION TO THE DURATION OF THIS WARRANTY.

Some states do not allow the exclusion or limitation of incidental or consequential damages, or limitations on how long an implied warranty lasts, so the above exclusions or limitations may not apply to you. This warranty gives you specific legal rights and you may also have other rights, which vary from state to state.