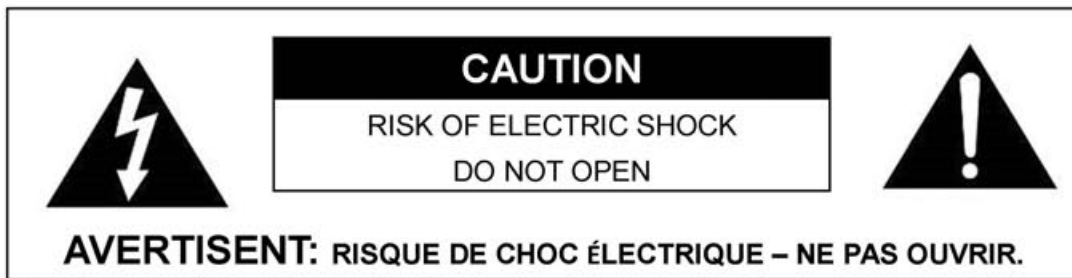


INSTRUCTION MANUAL

MODEL: VTA-800B

PLEASE READ THIS INSTRUCTION MANUAL CAREFULLY
BEFORE USE AND KEEP IT FOR FUTURE REFERENCE.



- This lightning flash with arrowhead symbol within an equilateral triangle is intended to alert the user to the presence of non-insulated “dangerous voltage” within the product’s enclosure that may be of sufficient magnitude to constitute a risk of electric shock.

- **Warning:** To reduce the risk of electric shock, do not remove cover (or back) as there are no user-serviceable parts inside. Refer servicing to qualified personnel.

- The exclamation point within an equilateral triangle is intended to alert the user to the presence of important operating and maintenance instructions in the literature accompanying the appliance.

CAUTION: To reduce the risk of fire or electric shock, do not expose this appliance to rain or moisture.

WARNING: To prevent electric shock, do not use this (polarized) plug with an extension cord, receptacle or other outlet unless the blades can be fully inserted to prevent blade exposure



WARNING: Invisible laser radiation when open and interlock failed or defeated. Avoid direct exposure to laser beam.

Important Safety Instructions

1. Read these instructions – All the safety and operating instructions should be read before this product is operated.
2. Keep these instructions- The safety and operating instructions should be retained for future reference.
3. Heed all warnings – All warnings on the appliance and in the operating instructions should be adhered to.
4. Follow all instructions – All operating and use instructions should be followed.
5. Do not use this apparatus near water – The appliance should not be used near water or moisture – for example, in a wet basement or near a swimming pool, and the like.
6. Clean only with dry cloth.
7. Do not block any ventilation openings. Install in accordance with the manufacturer’s instructions.
8. Do not install near any heat sources such as radiations, heat registers, stoves, or other apparatus (including amplifiers) that produce heat.
9. Do not defeat the safety purpose of the polarized or grounding plug. A polarized plug has two blades with one wider than the other. A grounding plug has two blades and a third grounding prong. The wide blade or the third prong is provided for your safety. If the provided plug does not fit into your outlet, consult an electrician for replacement of the obsolete outlet.
10. Protect the power cord from being walked on or pinched particularly at the plugs, convenience receptacles, and at the point where they exit from the apparatus.
11. Only use attachments/accessories specified by the manufacturer.
12. Use only with the cart, stand, tripod, bracket, or table specified by the manufacturer, or sold with the apparatus. When a cart or rack is used, use caution when moving the cart/apparatus combination to avoid injury from tip-over.
13. Unplug the apparatus during lightning storms or when unused for long periods of time.
14. Refer all servicing to qualified personnel. Servicing is required when the apparatus has been damaged in any way, such as power supply cord or plug is damaged, liquid has been spilled or objects have fallen into the apparatus has been exposed to rain or moisture, does not operate normally, or has been dropped.



15.



-This lightning flash with arrowhead symbol within an equilateral triangle is intended to alert the user to the presence of non-insulated "dangerous voltage" within the product's enclosure that may be of sufficient magnitude to constitute a risk of electric shock.

-Warning: To reduce the risk of electric shock, do not remove cover (or back) as there are no user-serviceable parts inside. Refer servicing to qualified personnel.

-The exclamation point within and equilateral triangle is intended to alert the user to the presence of important operating and maintenance instructions in the literature accompanying the appliance.

16.



This equipment is a Class II or double insulated electrical appliance. It has been designed in such a way that it does not require a safety connection to electrical earth.

17. The mains plug is used as disconnect device, the disconnect device shall remain readily operable.

18. WARNING

To reduce the risk of fire or electric shock, do not expose this apparatus to rain or moisture. The apparatus shall not be exposed to dripping or splashing and that no objects filled with liquids, such as vases, shall not be placed on apparatus.

19. The equipment should always be used in a moderate climate.

20. The ventilation should not be impeded by covering the ventilation openings with items, such as newspapers, table-cloths, curtains, etc.

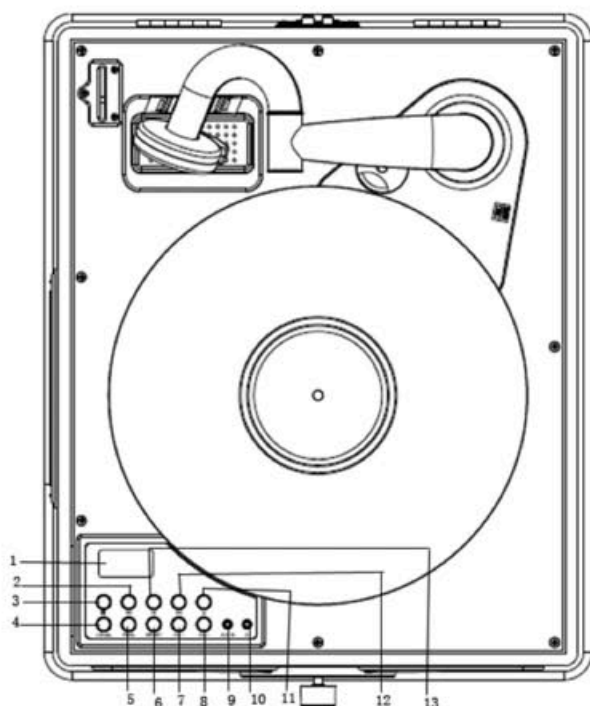
21. No naked flame sources, such as lighted candles, should be placed on the apparatus.

22. The symbol with \sim Indicates AC voltage.

23. CAUTION: The servicing instructions are for qualified service personnel only. To reduce the risk of electric shock, do not perform any services other than that stated in the operation manual unless you are qualified to do so.

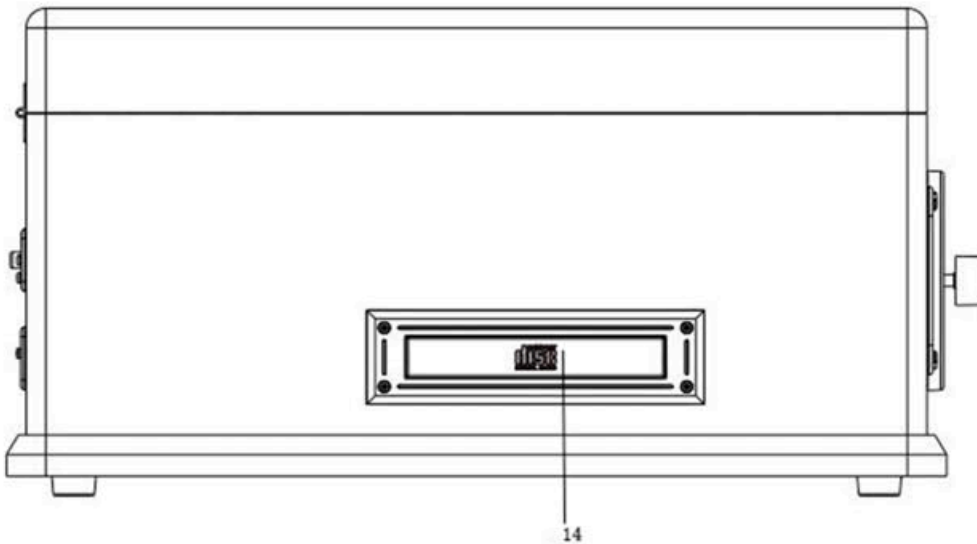
Product Overview

Control Panel (Overhead View)



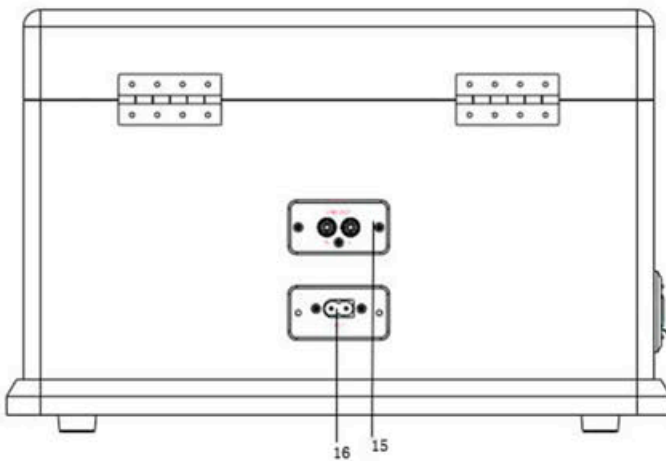
- 1. LCD Display**
- 2. PREVIOUS TRACK** ◀◀ In CD Mode, press once to skip to the previous track.
Press and hold to rewind.
In BT Mode, press to select track.
(Note: This button will not work in PHONO, Radio, AUX mode)
- 3. STOP** ■ Press to stop playback or cancel the program setting.
(Note: This button will not work in PHONO, AUX mode)
- 4. POWER** ⏻/FUNC Press to turn the unit ON/OFF.
(Note: Press the button to turn on / press and hold for about 3 seconds to turn off.)
Press to select desired function (CD, RADIO, AUX, BT, PHONO).
- 5. "PROG."** Press to program tracks.
(Note: This indicator only works in CD mode.)
- 6. "REPEAT"** Press to select the repeat/shuffle mode.
(Note: This indicator only works in CD mode.)
- 7. "VOL-"** Press to adjust volume.
- 8. "VOL+"** Press to adjust volume.
- 9. 3.5mm AUX-IN JACK** Connect your external device via AUX-IN.
- 10. 3.5mm HEADPHONE JACK** Connect your headphones or earphones.
- 11. OPEN/CLOSE** In CD mode, use to open and close the disc tray.
- 12. NEXT TRACK** ▶▶ In CD Mode, press once to skip to the next track.
Press and hold to fast forward.
In BT Mode, press once to select track.
(Note: This button will not work in PHONO, AUX mode)
- 13. PLAY/PAUSE** Press to start playback, press again to pause playback.
(Note: This button only works in CD and BT mode.)

Left Side View



14. DISC TRAY

Rear View



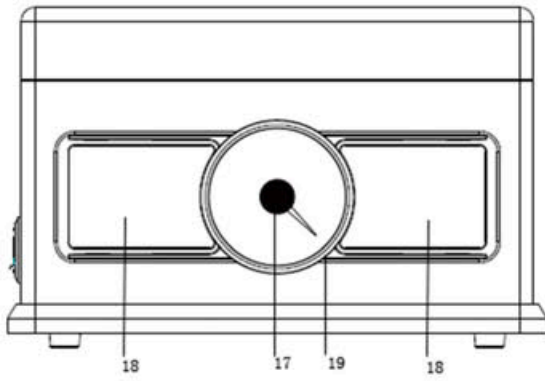
15. LINE-OUT Jacks

For amplifier device with RCA auxiliary input sockets, insert the white and red plugs on the RCA cable into the unit. Insert the opposite end into the amplifier device. Be sure to connect the white plug to the white jack and the red plug to the red jack.

16 AC Power Cord

Connect the AC plug into a wall outlet.

Front View

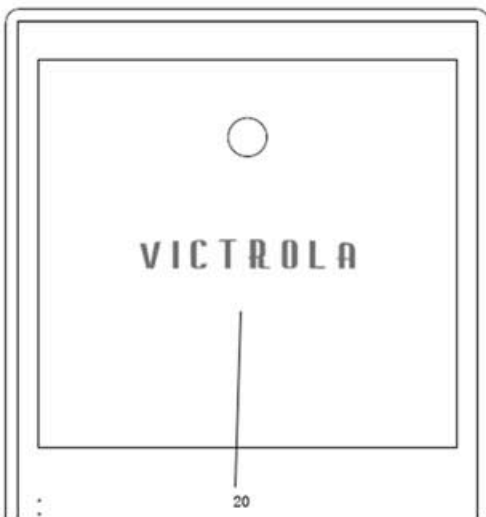


17. RADIO TUNER KNOB In FM mode, turn to tune to desired station.

18. STEREO SPEAKERS

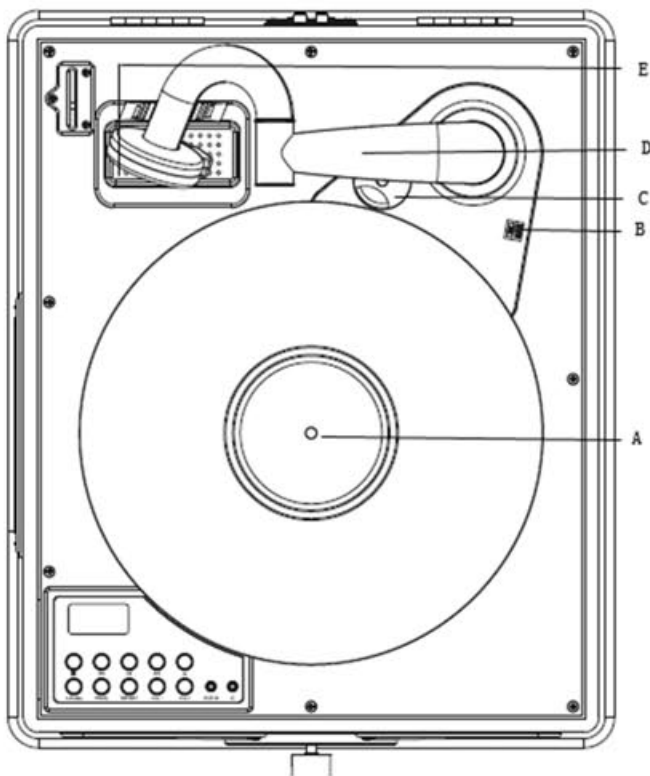
19. LED Backlight

Inside View



20. Record Storage Stores about 5 records.

Parts of the Turntable



- A. Turntable**
- B. Speed Selector**
- C. 45 RPM Adaptor**
- D. Tone Arm**
Before use, completely loosen the fixed rope on the tone arm and lift the tone arm up.
- E. Tone Arm Holder**

Setup / Basic Operation

Setup

1. Remove white protective needle cover by gently pulling towards front of unit.
2. Remove any packaging materials from the unit.
3. Connect the AC power cord to a wall outlet.

Note:

- It is strongly recommended that this product should be operated only from the type of power source indicated on the marking label.
- To prevent interference, avoid bundling audio signal cables together with the AC power cord.

Basic Operation

1. Press the POWER button to turn the unit on.
2. Select the function by pressing the FUNC button (CD / RADIO / AUX / BT / PHONO).
3. Press the VOL+ / VOL- to adjust to the desired sound level.

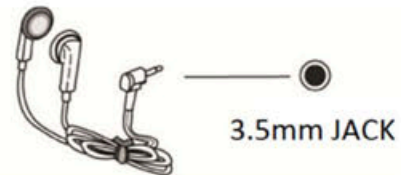
RCA LINE OUT

For amplifier device listening, first reduce the volume level to minimum. Insert the white and red plugs on the RCA cable into the unit, then insert the opposite end into the amplifier device. Be sure to connect the white plug to the white jack and the red plug to the red jack.

Earphones/Headphones (not included)

For private listening, first reduce the volume level to minimum. Insert your headphones' plug into the 3.5mm jack, then adjust the volume by pressing VOL+/VOL-.

Note: The speakers will automatically be deactivated while headphones are plugged in.

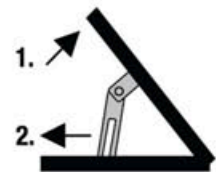


CONDENSATION WARNING:

When the unit is moved from a cold or warm place, or is used following a sudden temperature change, there is the danger that water vapor in the air may condense on the unit, preventing proper operation. In such cases, leave the unit for 1-2 hours after plugging it into an AC outlet to allow it to stabilize at the temperature of its surroundings.

Phono Operation

1. Press the FUNC Button until the LCD Display indicates "PHON".
2. Gently open the top cover.
Note: Gently lift up the cover all the way until it stops. To close the top lid, gently lift up and pull in the hinge towards the front of the unit and gently lower the lid. Be careful not to pinch your finger.
3. Place a vinyl record on the turntable. When playing a 45 RPM record, use the included adaptor.
4. Select the appropriate speed according to the record.
5. Gently lift the tone arm up from the tone arm holder and move the tone arm to the edge of the record (or the starting point of a track). *The turntable will automatically begin to spin.*
7. When the record reaches its end, tone arm will stop at the center of the record and you must lift and return the tone arm to the tone arm rest manually.

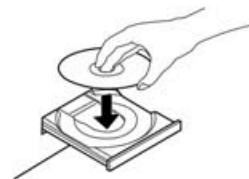


Important:

- Closing the top cover will help prevent dust from settling on the turntable.
- Do not place anything on top of the turntable cover, especially while playing a record.

CD Operation

1. Press the FUNC Button until the LCD Display indicates "CD --".
(Note: When no disc is inserted, "disc" will appear on the display.)
2. Press the OPEN/CLOSE(▲) button.
(Note: This button only works in CD mode.)
3. Place a disc on the tray with the printed label face up.
4. Press the OPEN/CLOSE button (▲) to close the tray.
5. *The CD playback will start automatically.*
6. To temporarily pause playback, press the PLAY/PAUSE button (▶||). Press again to resume.
7. To skip tracks backward or forward, press the corresponding skip button (◀◀ or ▶▶). Pressing ◀◀ once will restart the current track. Pressing ◀◀ twice quickly will return to the beginning of the previous track.
8. To fast forward / rewind within a track, press and hold down the corresponding skip button until the desired position is reached.
9. To stop playback, press the STOP ■ button.



Important:

- Never place more than one disc on the tray.
- The disc must be placed in the center of the disc tray.
An incorrectly loaded disc can permanently damage the tray door mechanism.
- Do not push the CD tray – always use the OPEN/CLOSE button.
- It takes a moment for the unit to load a disc, during which all buttons will be temporarily deactivated.

Repeat Playback

Each time the REPEAT button is pressed, the repeat mode will cycle through the following options:

REPEAT 1 (Repeat one track)

Press the REPEAT button once and the current track will be played on repeat. If you press the (◀◀ or ▶▶) button to select another track, the track you select will be played repeatedly.

REPEAT ALL (Repeat the entire CD)

Press the REPEAT button again and ALL tracks on the current disc will be played continuously. The repeat indicator will stay lit and the entire CD will be played repeatedly.

SHUFFLE

Press the REPEAT button again to shuffle songs.

Programmed Playback

Up to 20 tracks can be programmed to play in a set order (*with CD Discs only*).

1. Select "CD" mode, then load a CD.
2. While the CD is stopped, press the PROGRAM button.
3. "PROGRAM" indicator lights up and "P01" blinks on the display.
4. Press (◀◀ or ▶▶) to select a track number.
5. Press the PROGRAM button again to set the next program track, "P02" appears and blinks.
Repeat steps 4 thru 5 to program the additional tracks.
6. When the selection of track numbers has been finished, press the PLAY button (▶||) to start program playback. *(Note: when all 20 program tracks are set, press the PROGRAM button and "Full" will appear on the display)*
7. To cancel programmed playback, press the STOP ■ button until the program indicator disappears.

To check the programmed order

In the stop mode, press (◀◀ or ▶▶) repeatedly to show the track numbers that have been programmed.

To add a track to the end of the programmed order:

In stop mode, press the PROGRAM button.

Select a track number by pressing (◀◀ or ▶▶), then press the PROGRAM button.

The current track will be added to the end of the program.

NOTE: Repeat Playback and Programmed playback only work in CD Mode.

Radio Operation

1. Press "FUNC" button to select the radio mode (*LCD Display will show "rAd"*).
2. Tune the Radio tuner knob to tune in to a station.

AUX-IN Operation

In AUX (auxiliary) mode, this unit can play audio from an external device (iPod, MP3 Player, Portable CD Player, etc.)

There is an AUX IN jack on the front of the unit. When connecting a device that has a headphone jack, use a 3.5mm cable on both ends to connect the external device with the apparatus.

1. Press "FUNC" button to select Auxiliary mode (*LCD Display will show "AUX"*).
2. Plug one end of the 3.5mm cable (not included) into the AUX IN jack.
3. Plug the other end of the cable into the headphone jack of the external device.

NOTE: All operations are only available on your external device.

Bluetooth (BT) Operation

1. Press "FUNC" button to select Bluetooth mode (*LCD Display will show "bt"*).
2. From your external device, go to the Bluetooth Settings Menu and ensure that Bluetooth is turned on. Then select "VTA-800B" once it appears in the menu.
(*If a window asks for a password, fill in "0000" then press "OK" on your external device*).
3. A few seconds later you will hear an audible tone indicating the Bluetooth connection was successful.

NOTE: The effective distance between your external device and the unit is about 33ft (10 m).

Maintenance / Proper Handling

Compact Disc Handling

- Always place the disc on the disc tray with the label side facing upward (compact discs can be played/recorded only on one side)
- To remove a disc from its storage case, press down on the center of the case and lift the disc upward, holding it carefully by its edges.
- To clean a disc, wipe the surface from the center hole outward towards the outer edge with a soft, dry cloth.
- Never use such chemicals as record spray, antistatic sprays or fluid, benzine or thinner to clean discs; they will irreparably damage the disc's plastic surface.
- Discs should be returned to their cases after use to protect from dust and scratches.
- Do not expose discs to direct sunlight, high humidity, or high temperature for extended periods of time.
- Printable CD-R and CD-RW discs are not recommended, as the label side may become sticky and damage the unit.
- Use a soft oil-based felt-tipped pen to write information on the label side. Never use a ball-point or hard-tipped pen, as doing so may damage the recorded side.
- Do not use irregularly-shaped CDs (octagonal, heart shaped, business card size, etc), as they will damage the unit.
- Read all precautions supplied with any CD-R or CD-RW disc
- Never handle a disc with dirty fingers.
- Never insert a disc that has a crack on the surface.

Handling Vinyl Records

- Do not touch the record's grooves. Only handle records by the edges or the label with clean hands. Touching the record surface will cause your record's quality to deteriorate.
- To clean a record, use a soft anti-static cloth to gently wipe the record surface.
- Keep records in their protective sleeves when not in use.
- Always store records upright on their edges
- Avoid placing records in direct sunlight, close to a heat source (radiators, stoves, etc.), or in a location subject to vibration, excessive dust, heat, cold or moisture.

General Care

- When removing the power plug from the wall outlet, always pull directly on the plug. Never pull the cord.
- To keep the laser pickup clean, do not touch it, and do not forget to close the disc tray.
- Do not attempt to clean the unit with chemical solvents as this might damage the finish.
- For cleaning, only use a clean, dry cloth.
- In order to shut off the power to this product completely, unplug the power cord from the wall outlet. Be sure to unplug the unit if you do not intend to use it for an extended period of time.

How to Replace the Turntable Stylus (ITNP-LC1)

The stylus should last about 50 hours under normal use. However, it is recommended that the stylus be replaced as soon as you notice a change in sound quality. Prolonged use of a worn-out stylus may damage the record. The highest speed of 78 RPM records would wear out the stylus more quickly.

Removing the old stylus:

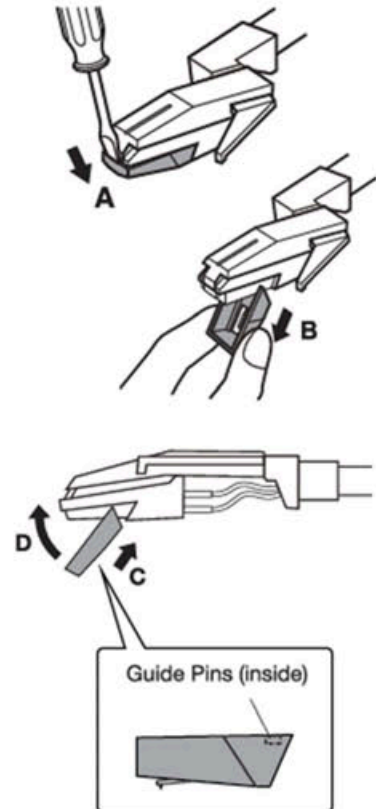
1. Set a screwdriver at the tip of the stylus and push downward (A).
2. Remove the stylus by pulling it simultaneously downward and forward.

Installing a new stylus:

1. Hold the front tip of the stylus and insert its rear edge (B) first.
2. Push the stylus upwards (C) until the tip locks into place.

Caution:

- Do not bend the stylus.
- Do not touch the needle to avoid injury your hand.
- Turn off the unit's power before you replace the stylus.
- Keep out of reach of children.



Specifications

GENERAL

Power Requirements AC 120 V~60 Hz
Power Consumption 35W
Dimensions (W x H x D) Approx. 15.5" (394mm) x 9.8" (248mm) x 19.6" (498mm)
Weight Approx. 22lbs (10kg)

AMPLIFIER

Output Power 5 W + 5 W
Frequency Response 60 to 20,000 Hz

SPEAKER SYSTEM

Type 2-way
Impedance 8 ohms
Output Power Max. 6W

FM RADIO

Range 88 to 108 MHz

CD PLAYER

Frequency Response 60 to 20,000 Hz +/-4 dB
Signal-to-Noise Ratio 55 dB (IEC-A)

RECORD PLAYER

Motor DC servo motor
Drive System Belt Drive
Speeds 33 1/3 RPM, 45 RPM and 78 RPM
S/N Ratio More than 50 dB
Cartridge Type Ceramic Stereo Cartridge
Stylus ITNP-LC1

BLUETOOTH

Bluetooth Version Bluetooth V2.1+EDR
Bluetooth Profiles A2DP, AVRCP
Bluetooth Frequency Range 2.402GHz-2.480GHz
Operating Distance 33 ft. (10 meters)

Design and specification are subject to change without notice.

Bluetooth is a registered trademark of Bluetooth SIG, Inc.
Other trademarks and trade names are those of their respective owners

Made in China.

Troubleshooting Guide

	Symptom	Possible Cause	Solution
GENERAL	• Unit will not power on.	• Unit is unplugged.	• Connect the unit to the AC power supply.
	• No sound output from speakers.	• The volume level is set too low. • The input selector does not match the playback source.	• Adjust the volume. • Select the correct input source.
	• Noise/Distortion in sound output.	• The unit is too close to a TV set or another interfering device.	• Turn off the TV or other appliance, and relocate the unit.
	• Unit fails to respond.	• It might result from external factors such as ESD (Electro-static discharge).	• Disconnect the power cord and external audio device. Re-plug the power cord after one minute.
CD PLAYER	• CD stops immediately after starting, or unit pauses or stops during play.	• The CD is inserted upside down. • The CD is dusty or dirty or there is condensation on the CD.	• Insert the CD with the printed side right-side up. • Carefully clean and dry the CD.
	• No sound.	• The CD player is paused.	• Press the PLAY/PAUSE button.
	• CD playback is noisy, or playback stops or skips.	• The CD is scratched, damaged or warped. • The disc is very dirty.	• Replace CD with an undamaged one. • Carefully clean the CD.
	• CD tray will not open.	• AM/FM mode is selected.	• Select AUX, PHONO, CD, or TAPE mode.
	• Buttons are not functioning correctly.	• The unit is processing information ("--- Busy" is displayed) • The unit needs to be restarted	• Wait until the unit finishes processing. • Turn the unit off, then on again.
PHONO	• Decline in turntable audio performance.	• The turntable stylus is worn out.	• Replace the stylus.
AUX	• No sound.	• Your device's and/or the unit's volume not turn up.	• Turn up the volume on your portable device and/or the unit.
Bluetooth	• No sound.	• The unit is not in Bluetooth Mode. • Your device's and/or the unit's volume not turn up. • Your device is too far from the unit or there is some obstacle between your device and the unit.	• Ensure the unit is switched to "bt" mode. • Turn up the volume on your portable device and/or the unit. • Move your Bluetooth device closer to unit. • Turn off your Bluetooth device and unit then power them both back on.
	• Sound is garbled.	• Your device's and/or the unit's volume is not adjusted properly.	• Turn down the volume on your device and/or the unit.

	<ul style="list-style-type: none"> • Unable to pair with a Bluetooth device. 	<ul style="list-style-type: none"> • Your device doesn't have Bluetooth connectivity. • The Bluetooth pairing was not successful. 	<ul style="list-style-type: none"> • Confirm that your device is Bluetooth compatible. • Repair the unit and device again.
--	---	---	--

FCC Statement

This device complies with Part 15 of the FCC Rules. Operation is subject to the following two conditions: (1) This device may not cause harmful interference, and (2) this device must accept any interference received, including interference that may cause undesired operation.

NOTE: This equipment has been tested and found to comply with the limits for a Class B digital device, pursuant to Part 15 of the FCC Rules. These limits are designed to provide reasonable protection against harmful interference in a residential installation. This equipment generates uses and can radiate radio frequency energy and, if not installed and used in accordance with the instructions, may cause harmful interference to radio communications. However, there is no guarantee that interference will not occur in a particular installation. If this equipment does cause harmful interference to radio or television reception, which can be determined by turning the equipment off and on, the user is encouraged to try to correct the interference by one of the following measures:

- Reorient or relocate the receiving antenna.
- Increase the separation between the equipment and receiver.
- Connect the equipment into an outlet on a circuit different from that to which the receiver is connected.
- Consult the dealer or an experienced radio/TV technician for help.

WARNING: Any changes or modifications not expressly approved by the party responsible for compliance could void the user's authority to operate this equipment.

To maintain compliance with the FCC's RF exposure guidelines, place the product at least 20cm from nearby persons.

IC WARNING

This device complies with RSS247 of Industry Canada. Cet appareil se conforme à RSS247 de Canada d'Industrie. This device complies with Industry Canada license-exempt RSS standard(s).

Operation is subject to the following two conditions: (1) this device may not cause interference, and (2) this device must accept any interference, including interference that may cause undesired operation of the device. appareils radio exempts de licence. Son fonctionnement est sujet aux deux conditions suivantes: (1) le dispositif ne doit pas produire de brouillage préjudiciable, et (2) ce dispositif doit accepter tout brouillage reçu, y compris un brouillage susceptible de provoquer un fonctionnement indésirable.

The device must not be co-located or operating in conjunction with any other antenna or transmitter.

L'appareil ne doit pas être localisé ou fonctionner avec d'autres antennes ou transmetteurs.

This device complies with IC radiation exposure limits set forth for an uncontrolled environment.

Cet appareil est conforme aux limites d'exposition aux rayonnements de la IC établies pour un incontrôlé environnement.

The device should be installed and operated with a minimum distance of 20cm between the radiator and your body. L'appareil doit être installé et utilisé avec une distance minimale de 20 cm entre le radiateur et votre corps.

California PROP 65 Warning



WARNING: This product can expose you to chemicals including lead which is known to the State of California to cause cancer. For more information go to www.P65Warnings.ca.gov.