

**HD Wide TFT LCD Television**

# **User's MANUAL**

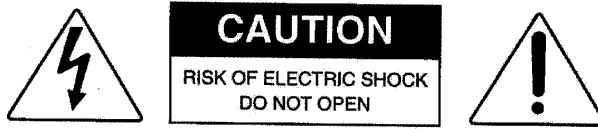
**30inch TFT LCD Wide TV**



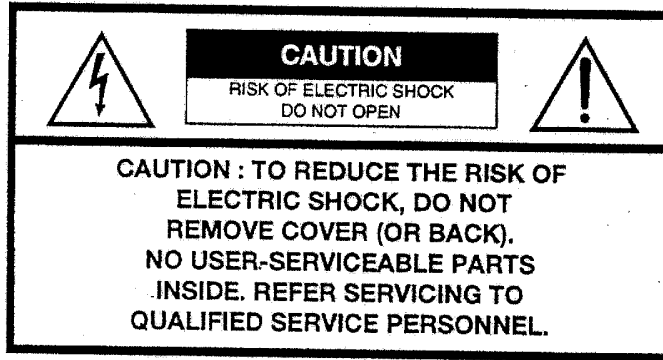
**Before operating this TV,  
please read this manual thoroughly  
and retain it for future reference**

## **Safety Caution**

Shock Hazard Marking and Associated Graphical Symbols



Explanation of Safety Related Symbols



This symbol is intended to alert the user to the presence of uninsulated "dangerous voltage" within the product's enclosure that may be of sufficient magnitude to constitute a risk of electric shock to persons.



This symbol is intended to alert the user to the presence of important operating and maintenance (servicing) instructions in the literature accompanying the appliance.

"WARNING – To Reduce The Risk Of Fire Or Electric Shock, Do Not Expose This Apparatus To Rain Or Moisture."

"Apparatus shall not be exposed to dripping or splashing and no objects filled with liquids, such as vases, shall be placed on the apparatus."

### Important Safety Instructions

- 1) Read these instructions.
- 2) Keep these instructions.
- 3) Heed all warnings.
- 4) Follow all instructions.
- 5) Do not use this apparatus near water.
- 6) Clean only with a damp cloth.

- 7) Do not block any of the ventilation openings. Install in accordance with the manufacturer's instructions.
- 8) Do not install near any heat sources such as radiators, heat registers, stoves, or other apparatus (including amplifiers) that produce heat.
- 9) Do not defeat the safety purpose of the polarized or grounding type plug. A polarized plug has two blades with one wider than the other. A grounding type plug has two blades and a third grounding prong. The wide blade or the third prong is provided for your safety. When the provided plug does not fit into your outlet, consult an electrician for replacement of the obsolete outlet.
- 10) Protect the power cord from being walked on or pinched particularly at plugs, convenience receptacles, and the point where they exit from the apparatus.
- 11) Only use the attachments/accessories specified by the manufacturer.
- 12) Use only with a cart, stand, tripod, bracket, or table specified by the manufacturer, or sold with the apparatus. When a cart is used, use caution when moving the cart/apparatus combination to avoid injury from tip-over.

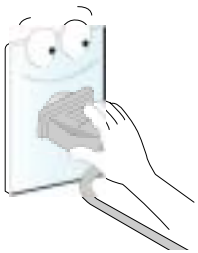


- 13) Unplug this apparatus during lightning storms or when unused for long periods of time.
- 14) Refer all servicing to qualified service personnel. Servicing is required when the apparatus has been damaged in any way, such as power supply cord or plug is damaged, liquid has been spilled or objects have fallen into the apparatus, the apparatus has been exposed to rain or moisture, does not operate normally, or has been dropped.

## Service Instructions

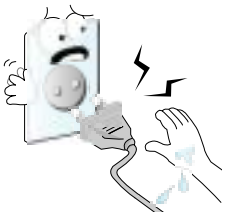
"CAUTION - These servicing instructions are for use by qualified service personnel only. To reduce the risk of electric shock, do not perform any servicing other than that contained in the operating instructions unless you are qualified to do so."

**To ensure safety and many years of trouble-free operation of your product, please read the Safety Precautions carefully before using this product.**



**Unplug the TV from the wall outlet when it is left unattended and unused for long periods of time.**

\* Accumulated dust may cause a fire or an electric shock from deterioration or electric leakage.



**Never touch the power plug with a wet hand.**

\* This may cause an electric shock.



**During a lightning thunder, unplug the TV from the wall outlet and don't touch antenna cable.**

\* This may cause damaged the TV or could give an electric shock.



**In case of smoke or strange smell from the TV, switch it off, unplug it from the wall outlet and contact your dealer or service center**

\* This may cause a fire or could give an electric shock.



**Do not use the TV in damp place such as a bathroom or any place where it is likely to get wet.**

\* This may cause a fire or could given an electric shock.



**Do not place the TV in direct sunlight or near heat sources such as heat registers, stove and so on.**

\* This may cause a fire.



**Do not attempt to service the TV yourself. Contact your dealer or service center.**

\* This may cause damaged the TV or could given an electric shock.



**Do not place heavy objects and let child climb on the TV.**

\* This may cause serious injury to a child or adult



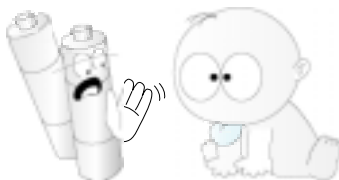
**Do not place anything containing liquid on top of the TV.**

\* This may cause a fire or could give an electric shock.



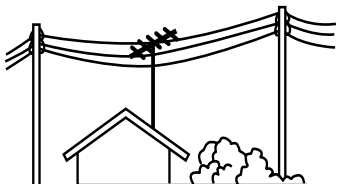
**Unplug this product from the wall outlet before cleaning.  
Do not use liquid cleaners or aerosol cleaners.**

\* This may cause a fire or could give an electric shock.



**Dispose of used batteries carefully to protect a child from eating them.**

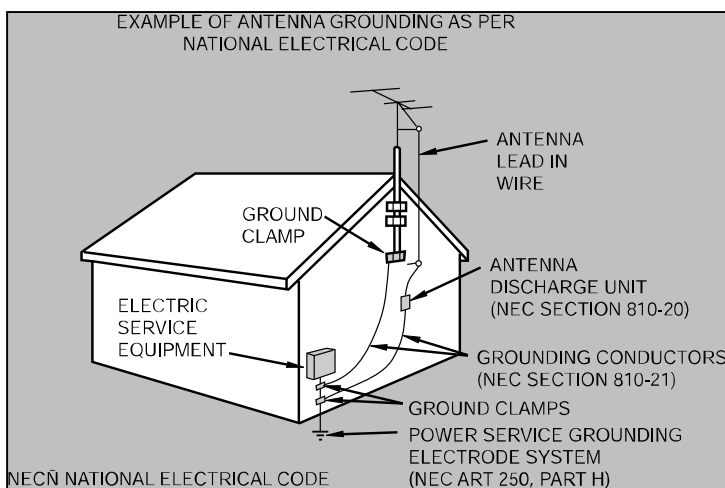
\* In case that it eats them, take it to see a doctor immediately.



**There should be enough distance between an outside antenna  
And power lines to keep the former from touching the latter  
even when the antenna falls.**

\* This may cause an electric shock.

If an outside antenna is connected to the television equipment, be sure the antenna system is grounded so as to provide some protection against voltage surges and built-up static charges. Section 810 of the National Electrical Code provides information with respect to proper grounding of the mast and supporting structure, grounding of the lead-in wire to an antenna discharge unit, size of grounding conductors, location of antenna-discharge unit, connection to grounding electrodes, and requirements for the grounding electrode.



#### FCC NOTICE

Note: This equipment has been tested and found to comply with the limits for a Class B digital device, pursuant to part 15 of the FCC Rules. These limits are designed to provide reasonable protection against harmful interference in a residential installation. This equipment generates, uses and can radiate radio frequency energy and, if not installed and used in accordance with the instructions, may cause harmful interference to radio communications. However, there is no guarantee that interference will not occur in a particular installation. If this equipment does cause harmful interference to radio or television reception, which can be determined by turning the equipment off and on, the user is encouraged to try to correct the interference by one or more of the following measures:

- Reorient or relocate the receiving antenna.
- Increase the separation between the equipment and receiver.
- Connect the equipment into an outlet on a circuit different from that to which the receiver is connected.
- Consult the dealer or an experienced radio/TV technician for help.

Modifications not expressly approved by the manufacturer could void the user's authority to operated the equipment under FCC rules.

## **Product Overview**

The 30inch Wide (LG Philips LCD Division. Model:LC300W01) WXGA TFT LCD TV can support TV, digital DVI signal & Video signals(VCD, DVD) from various video sources which are available in the market.

The LCD TV neither emits harmful rays nor requires much space. It conforms to VESA DPMS (Display Power Management Signaling) requirement, therefore energy consumption is small.

The actual power consumption of LCD TV is less than 130watts during the operation.

### **The LCD Display has following attractive features:**

- Eye Friendly : it does not cause an eye strain from starring at the LCD TV for long periods of time.
- Wide Screen : displays 16:9 screen sized output for cinematic display.
- Bottom Panel Control : allows access to the on screen display menus without a remote control.
- High brightness and contrast : very clear and definite screen with 450cd/m<sup>2</sup> and 350:1
- V-chip : (NTSC only) a tool for parents to prevent their children from watching on adult programs by establishing rating limits.
- Teletext : (PAL only) capable of displaying text information provided by the broadcast station.
- S-VIDEO : provides better quality picture than composite Video signal(CVBS)
- CVBS : provides good quality picture.
- SCART : Europe only and depends on the rear connector type.
- Component : provides superior quality of picture then the one of S-video.
- DVI : digital connection to PC for superior display.
- HD : 720p, 1080i quality at the HDTV level.
- PIP(Picture in picture) : User can use PC while watching TV or movie from VCR or DVD player.

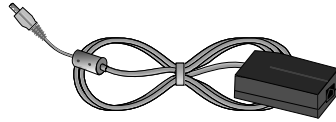
The image sources can be swapped. The overlapped screen can shift the position and can increase and decrease the size.

- PBP(Double Screen):Two independent screens in one display.  
Possible to watch 2 TV programs at the same time(built in two TV tuners).  
Teletext page in one screen and its image in the other screen.
- POP 3 (Picture of Picture 3 screens) : Watching main screen with checking up rotating three channels every 3 seconds.
- POP 12 (Picture of Picture 3 screens) : Watching main screen with checking up rotating twelve channels every 3 seconds.
- Grid Screen : Checking up nine rotating channels captured every three seconds.

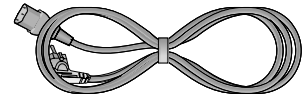
## Basic Accessories



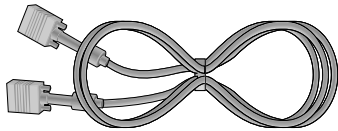
Remote Controller(AAA batteries)



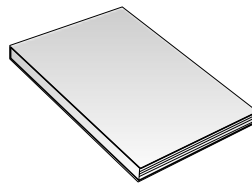
AC / DC Adapter



Power cord



Analog RGB

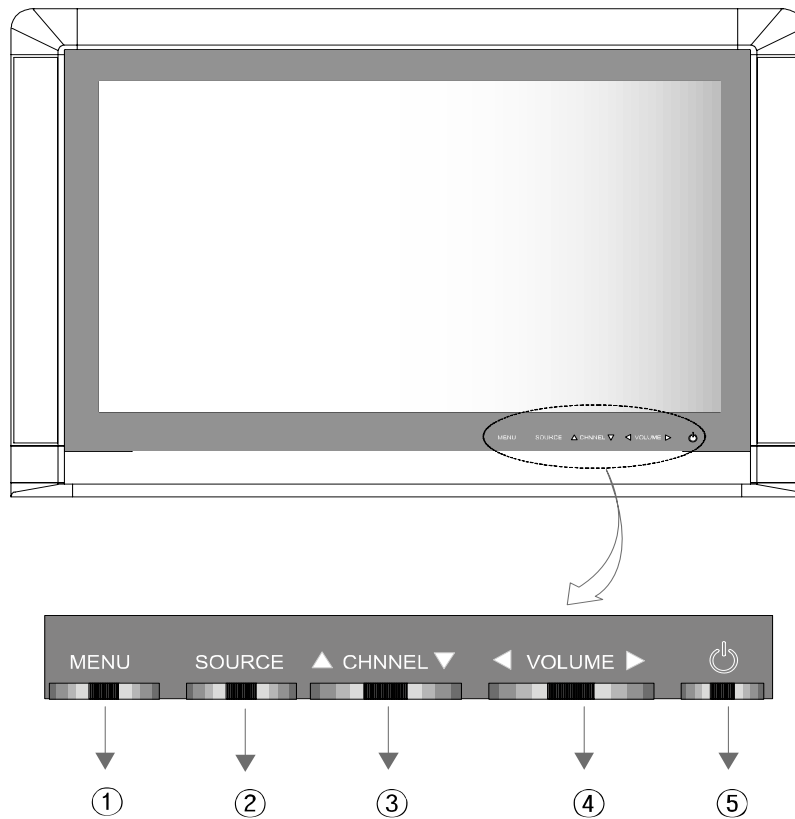


User's Manual



## Front Panel Buttons

The buttons on the front panel controls your TV's basic features, including the on-screen menu. To use the more advanced features, you must use the remote control.



### ① MENU

Press to see an on-screen menu of your TV's features

### ② SOURCE

Changes different input source.

### ③ CHNNEL

Press to change channels.

Also press to highlight various items on the on-screen menu.

(Without the Remote Control, You can turn on TV by using the Channel buttons.)

### ④ VOLUME

Press to increase or decrease the volume.

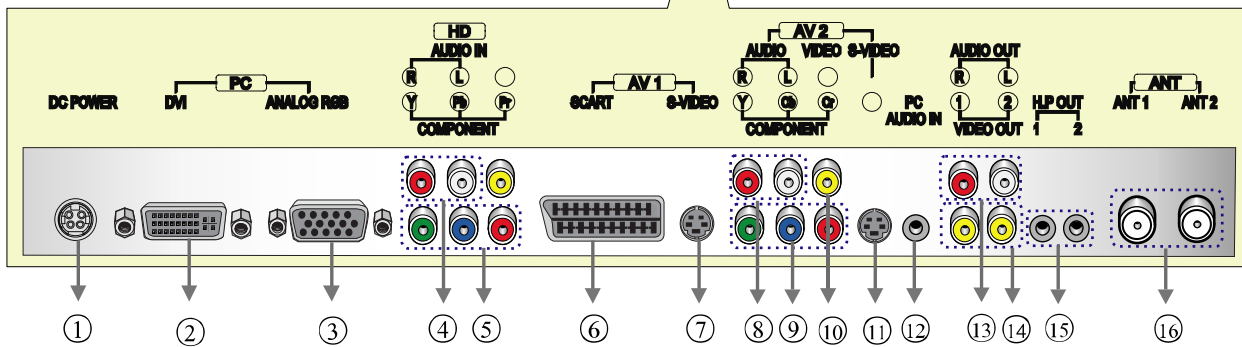
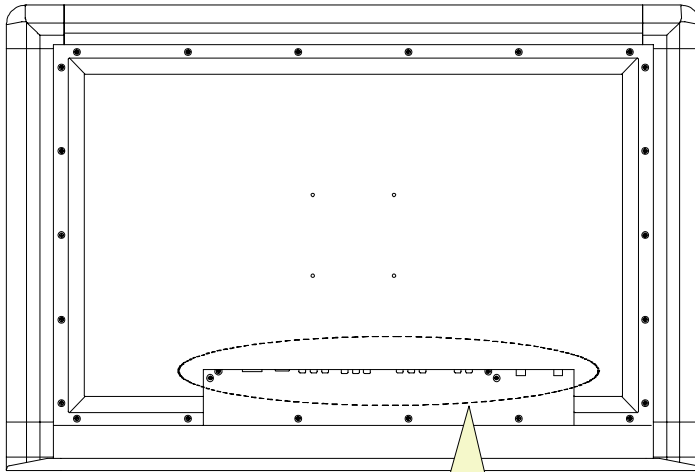
Also used to change the value of the selected items on the on-screen menu.

### ⑤ POWER

Press to Turn the TV on and off.

# Rear Panel Jacks

Use the rear panel jacks to connect an A/V component that will be connected continuously, such as a VCR or a DVD player.



### POWER / PC INPUT

- ① DC Power IN
- 2 Analog RGB In
- 3 DVI In
- 12 PC Audio In

### HD INPUT

- 4 Audio In(L/R)
- 5 HD Video Component(Y,Pb,Pr) In

### AV1

- 6 Scart In
- 7 S-Video In

### AV2

- 8 Audio In(L/R)
- 9 Video Component(Y,Cb,Cr) In
- 10 Video Composit In
- 11 S-Video In

### AUDIO/VIDEO OUT

- 13 Audio Out(L/R)
- 14 Video Out(x2)
- 15 Head Phone Out(x2)

### ANT(TV Tuner)

- 16 ANT In(x2)

# Remote Control

## Frequently Used Buttons

You can use the remote control up to a distance of about 23 feet from the TV.

When using the remote, always point it directly at the TV.

### 1 POWER

Turns the TV on and off.

### 2 Key Pad

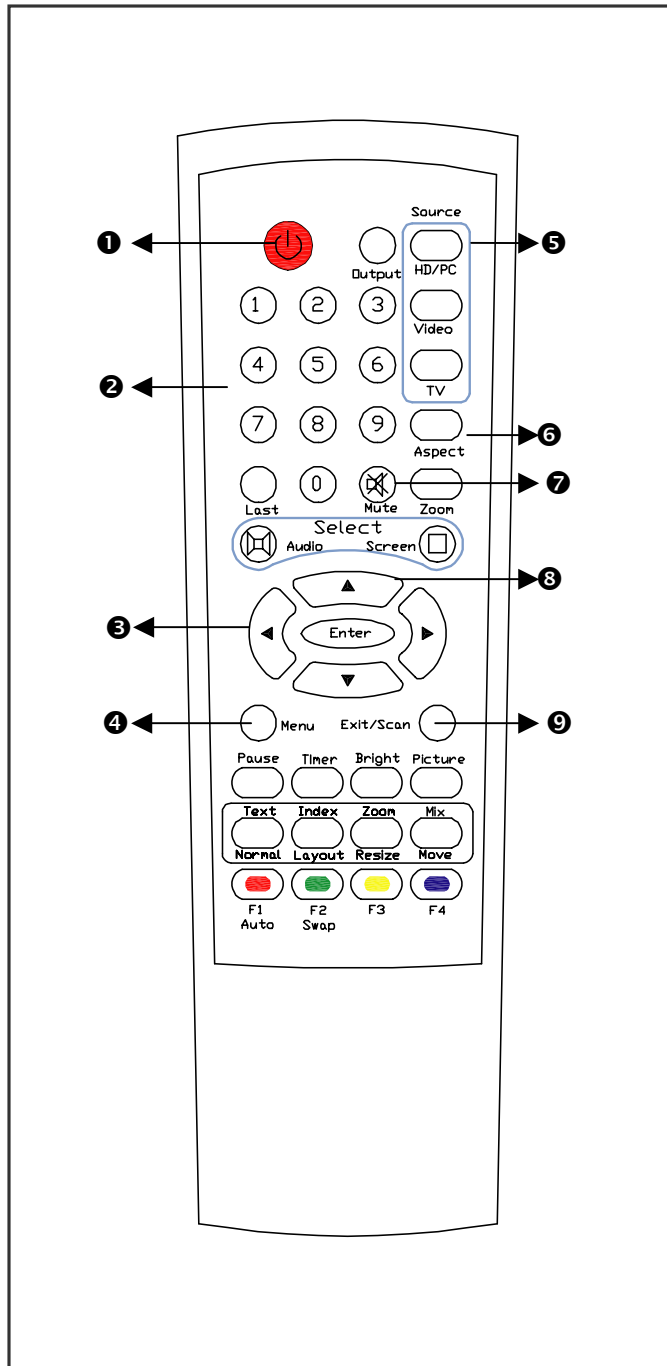
- Changes Channels by entering numerical value.
- In Teletext mode (PAL), changes pages by entering the Page No.

### 3 ◀ / ▶

- Changes volume level
- Selects the desired the value of function in OSD menu

### 4 MENU

- Changes volume level.
- Selects the desired the value of function in OSD menu.



### 5 SOURCE

Selects external input source (TV, PC, DVD...)

### 6 ASPECT

Changes screen size.

### 7 MUTE

Temporary cuts off the sound.

### 8 ▲ / ▼

- Changes channel in TV mode
- Moves up / down Menu Key in OSD menu

### 9 EXIT

Exits from the OSD menu

# Remote Control

## Convenient Buttons

You can use the remote control up to a distance of about 23 feet from the TV.

When using the remote, always point it directly at the TV.

### 1 LAST

Turns to the previous channel.

### 2 TIMER

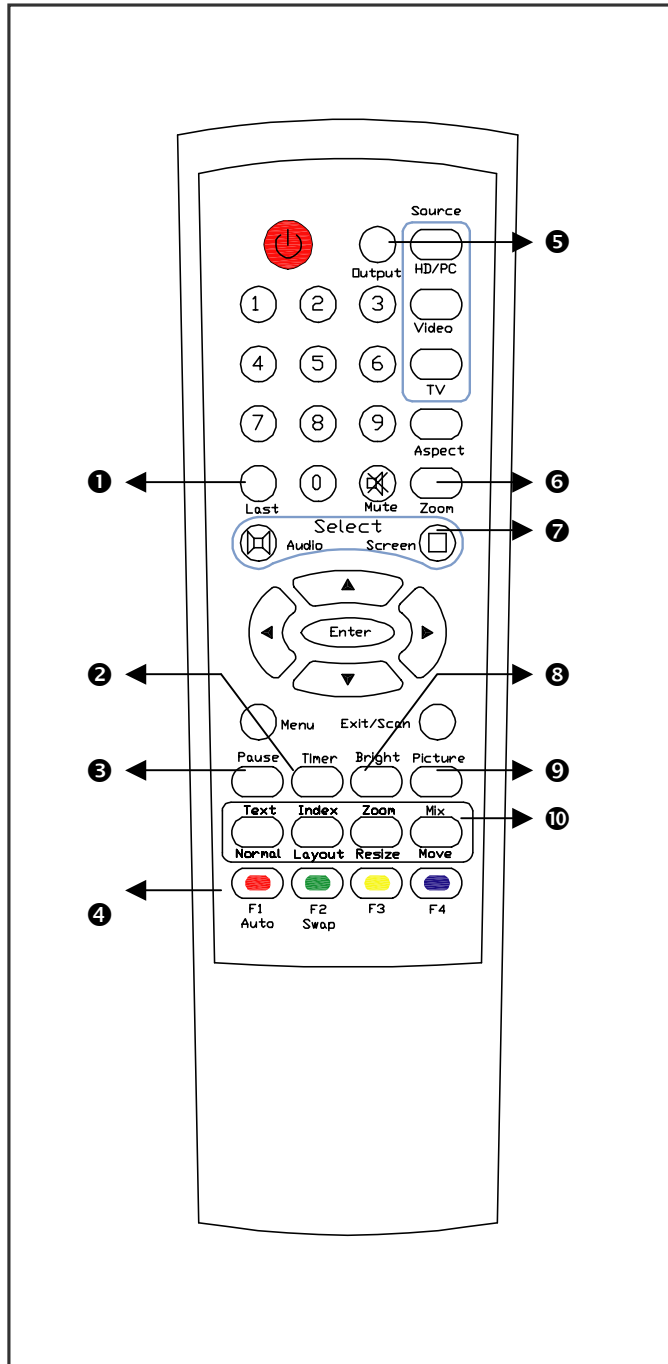
Selects a time for the TV to turn off automatically

### 3 PAUSE

Pauses current screen

### 4 FUNCTION KEY

- **AUTO** : Adjusts picture setting in PC mode
- **SWAP** : Swaps screen in PIP, SPLIT and POP
- **RED / GREEN / YELLOW / BLUE** :



### 5 OUTPUT

Selects Video out sources

### 6 ZOOM

Enlarges image on the screen

### 7 SELECT

- **AUTO** :
- **SCREEN** :

### 8 BRIGHT

Changes brightness of screen

### 9 PICTURE

Changes picture setting of screen(Normal, Movie...)

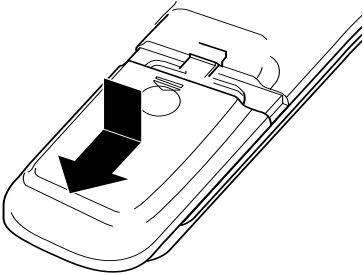
### 10 TTX / MULTI-SCREEN

- **TEXT / NORMAL**(PAL Only) :  
Switches to Teletext(TTX) Mode
- **INDEX**(PAL Only) :  
Displays Teletext pages
- **ZOOM**(PAL Only) :  
Changes the text size in TTX
- **MIX**(Pal Only) :  
Displays the teletext pages on the TV picture
- **LAYOUT** : Display the Layout menu to select Full, PIP, PBP, POP3, POP12 or Grid function.
- **RESIZE** : Changes PIP screen size
- **RESIZE** : Changes PIP screen position

## Batteries for the Remote Control

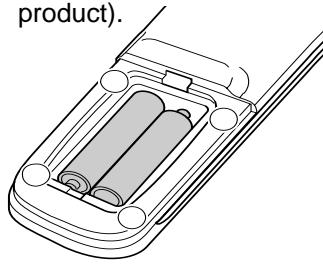
If the remote control fails to operate the LCD color TV functions, replace the batteries in the remote control.

1. Open the battery cover.



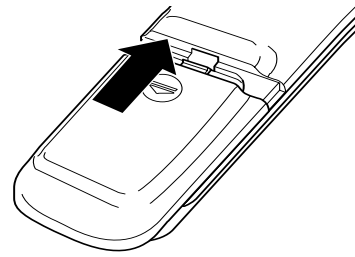
Slide the cover while pressing down.

2. Insert batteries (1.5V "AAA ") size batteries, supplied with product).



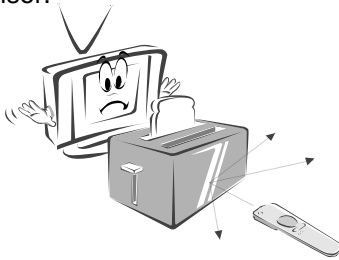
Place the batteries with their terminals corresponding to the (+) and (-) indications in the battery compartment.

3. Close the battery cover.



## Notes for using the remote control

Make sure there are no objects between the remote control and its sensor.



Don't place the remote control near a heater or damp place. Strong impact on the remote control may cause operation failure.



Signal from the remote control may be disturbed by sun light or other strong light. In this case, turn the set to other direction..

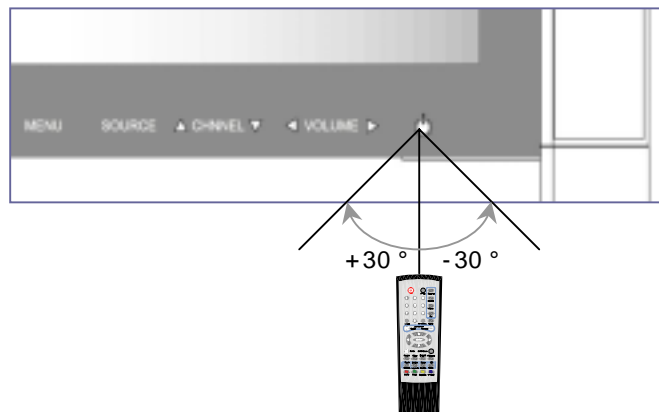


## Operating with the Remote Control

Point the remote control at the remote sensor and press the buttons.

Distance : About 23 ft (7 m) from the front of the remote sensor.

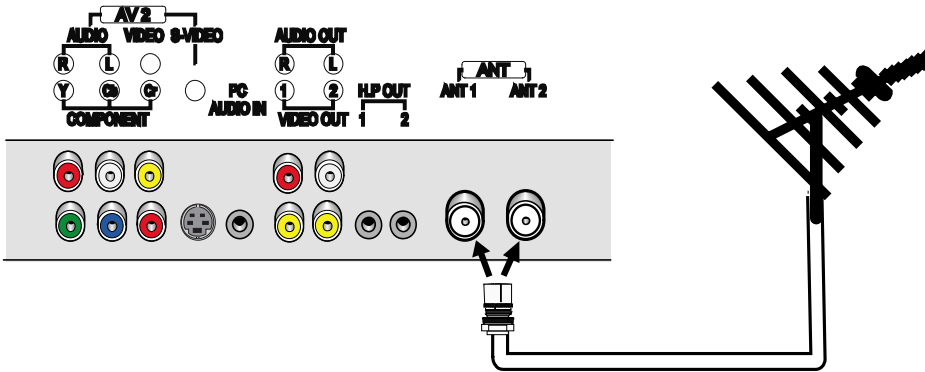
Angle : About 30° in each direction of the front of the remote sensor.



Within about 23ft (about 7m)

## Connecting TV

1) Connect the RF cable into the ANT1 or ANT2 Jack on the TV.



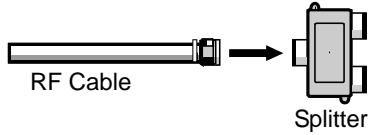
### <To watch VCR>

Press TV button on the remote control and select TV 1 or TV 2.

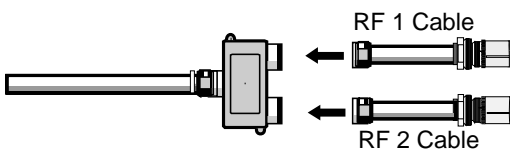
### <To connect ANT 1 and ANT 2 through splitter>

Note : RF cable and Splitter are not supplied.

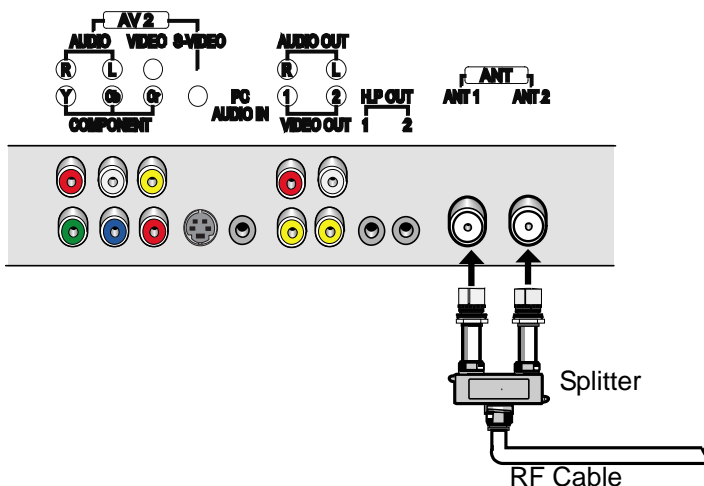
1) Connect the RF cable to the Splitter.



2) Connect the two cables(RF 1 and RF 2) to Splitter.



3) Connect the RF 1 and RF 2 cables to ANT 1 and ANT 2 on rear of the TV.

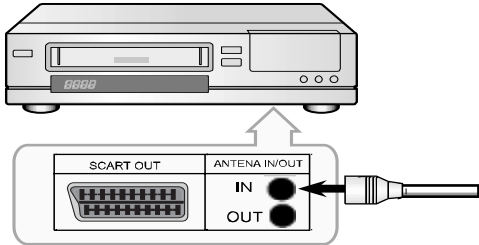


## Connecting VCR

The actual connector-jack of the VCR may be different, depending on the model.

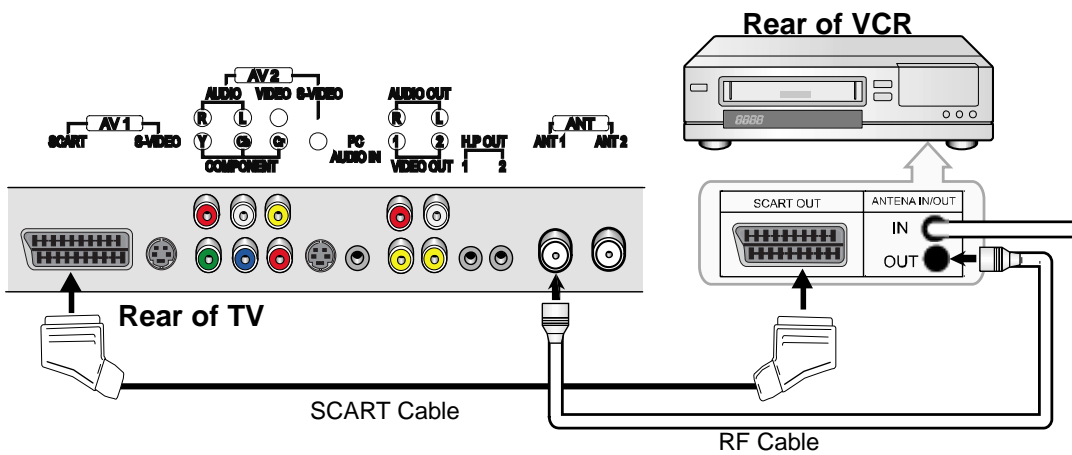
### 1. Connecting VCR with SCART Cable and RF cables

- 1) Connect the RF cables to the ANTENNA IN terminal on the back of the VCR.



Rear of the VCR

- 2) Connect RF cable between ANTENNA OUT terminal on the VCR and **ANT 1** or **ANT 2** on the TV.
- 3) Connect SCART cable between the SCART jack on the TV and the SCART jacks on the VCR player.



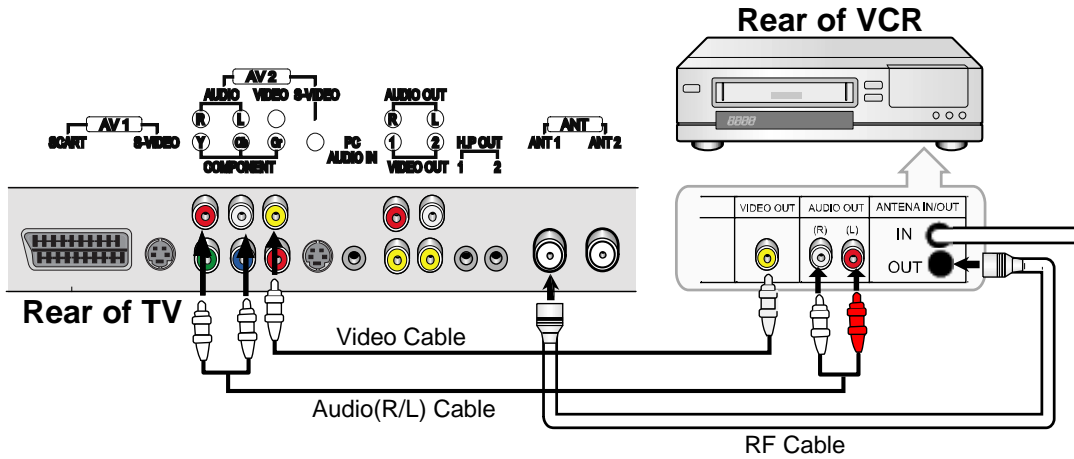
### <To watch VCR>

Press **VIDEO** button on the remote control and select **Composite1**.

(When connecting with S-Video, Select the **S-video1**)

## 2. Connecting VCR with Video/Audio Cable

- 1) Connect a set of audio cables between the AUDIO(L/R) INPUT jacks on the TV and the AUDIO OUT jacks on the VCR.
- 2) Connect a video cable between the VIDEO jacks on the TV and the VIDEO jacks on the VCR.



### <To watch VCR>

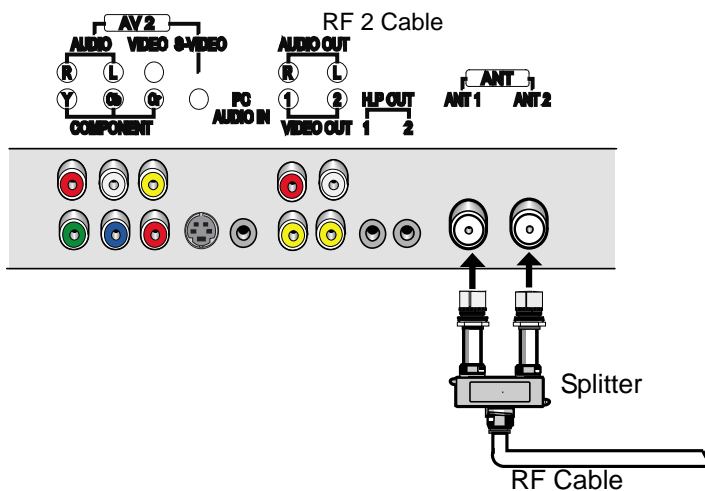
Press **VIDEO** button on the remote control and select **Composite2**.

(When connecting with S-Video, Select the **S-video2**)

### <To connect ANT 1 and ANT 2 through splitter>

**Note : RF cable and Splitter are not supplied.**

- 1) Connect the RF cable to the Splitter.  
\* Refer to Picture on pages11
- 2) Connect the two cables(RF 1 and RF 2) to Splitter.  
\* Refer to Picture on pages12
- 3) Connect the RF 1 and RF 2 cables to **ANT 1** and **ANT 2** on rear of the TV.



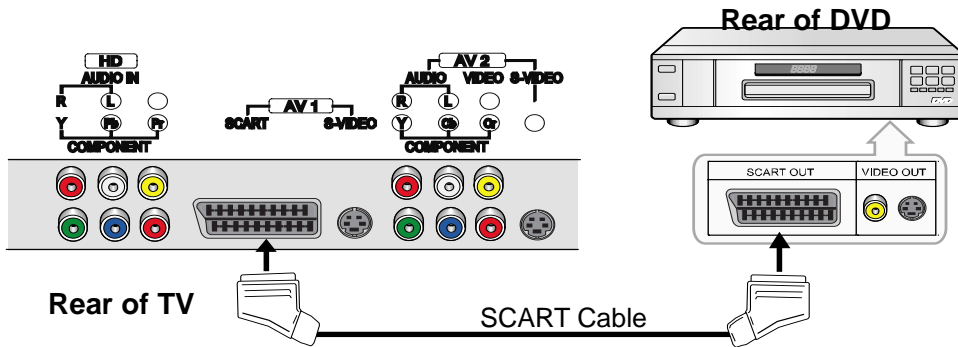


# Connecting DVD Player

Note :The actual connector-jack of the DVD may be different, depending on the model.

## 1. Connecting to DVD with SCART Jack.

Connect SCART cable between the SCART jack on the TV and the SCART jacks on the DVD player.



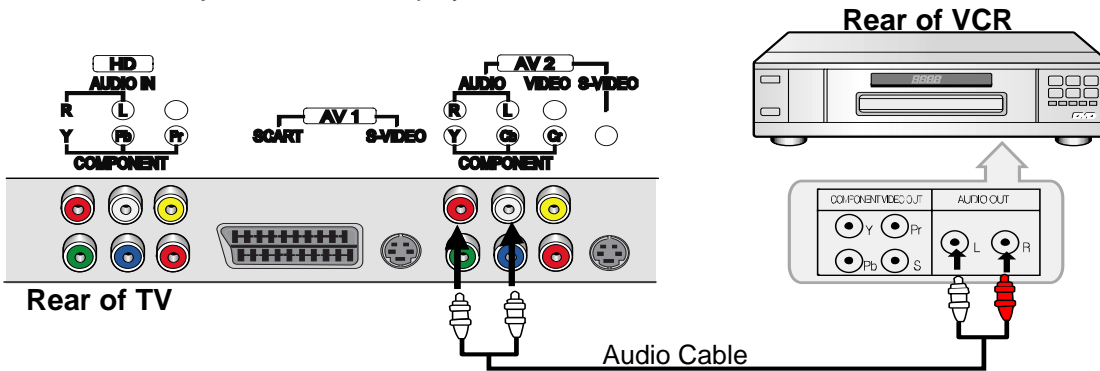
### <To watch DVD>

Press **VIEO** button on the remote control and select **Component1**.

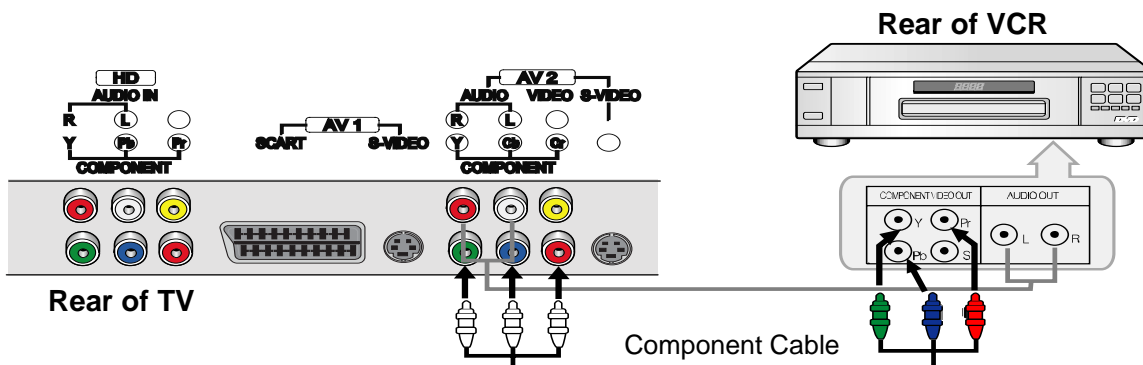
(When connecting with S-Video, Select the **S-video1**)

## 2. Connecting to DVD with Component(Y, Pb, Pr) Jack

- 1) Connect a set of audio cables between the AUDIO(L/R) INPUT jacks on the TV and the AUDIO OUT jacks on the DVD player.



- 2) Connect a video cable between the COMPONENT(Y, Pb, Pr) jacks on the TV and the COMPONENT(Y, Pb, Pr) jacks on the DVD player.



### <To watch DVD>

Press **VIEO** button on the remote control and select **Component 2**.

(When connecting with S-Video, Select the **S-video 2**)

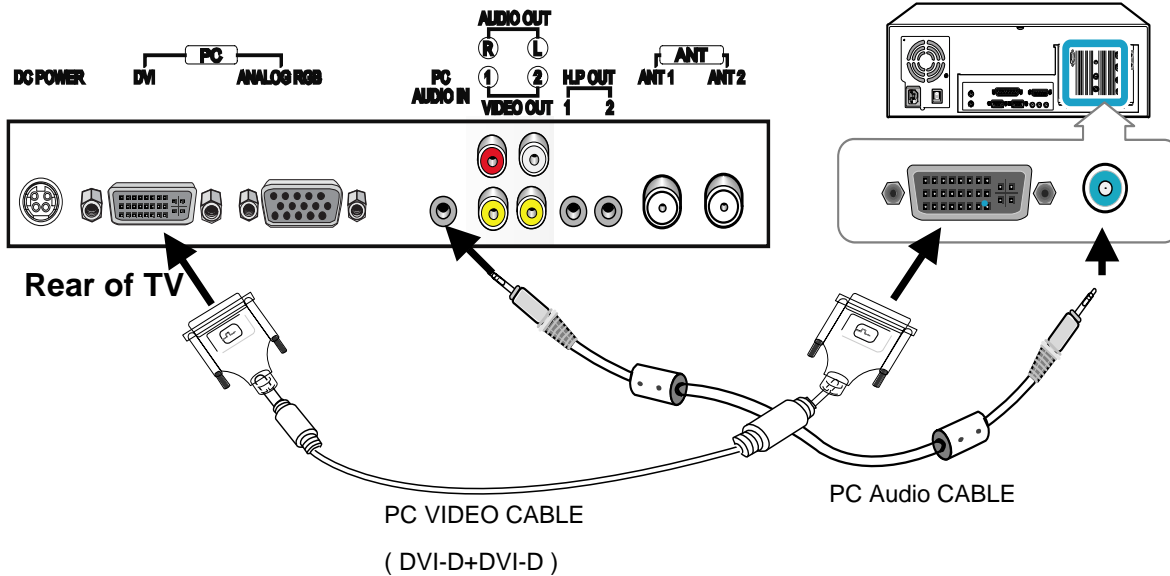
## Connecting a PC

For sharp and superior image, connect the DVI.

Note : The actual connector-jack of the PC may be different, depending on the model.

The DVI cable is not supplied

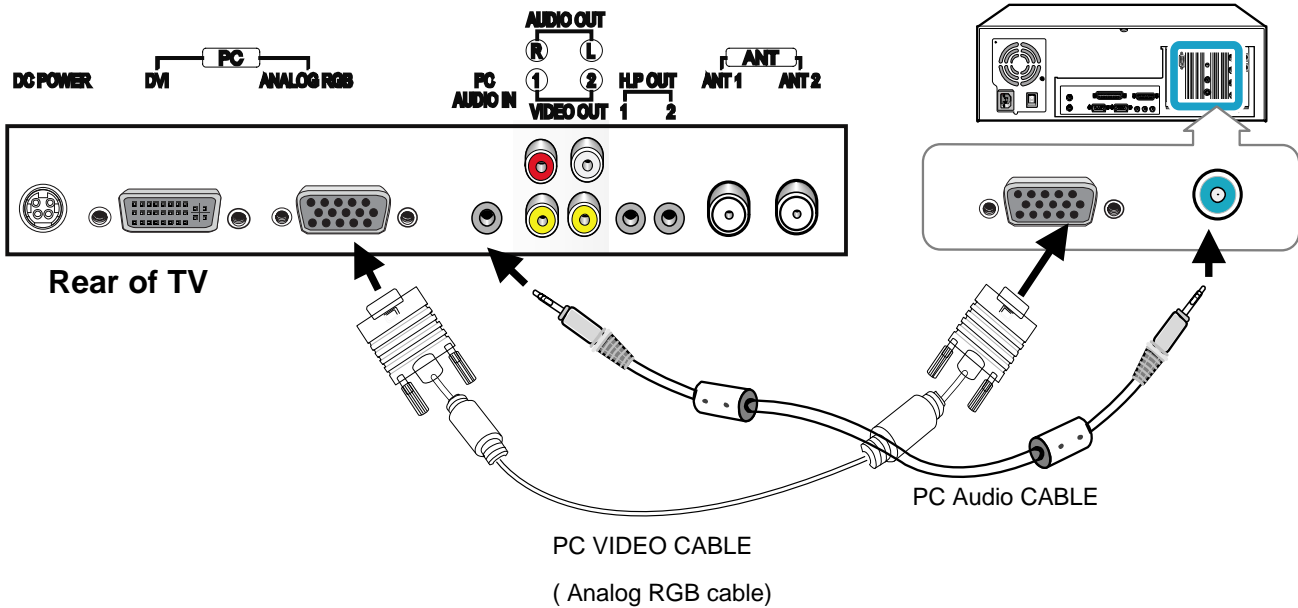
### 1. Connecting PC with DVI cable



<To watch PC>

Press **HD/PC** button on the remote control and select **Digital RGB**.

### 2. Connecting PC with Analog RGB cable



<To watch PC>

Press **HD/PC** button on the remote control and select **Analog RGB**.

## **Monitor Image Display Specifications**

This display complies with the DDC plug and play standard, and automatically detects all the display information when it is connected with a DVI cable.

**Note :**

Not all video graphics cards support 1280 x 768 wide aspect resolution.

Some devices may require updated driver

Please consult your video graphic manufacturer.

**Preset PC Mode Timing Table**

No	Resolution (Dots x lines)	Horizontal Frequency (kHz)	Vertical Frequency (Hz)
1	640x480	31.5	60
2	640x480	37.9	72
3	640x480	37.5	75
3	720x400	31.5	70
4	800x600	37.9	60
4	800x600	48.1	72
5	800x600	46.9	75
6	1024x768	48.4	60
7	1024x768	56.5	70
7	1024x768	60	75
8	1280x768	47.7	60

**Recommended to set this display to 1280x768 at 60 Hz.**

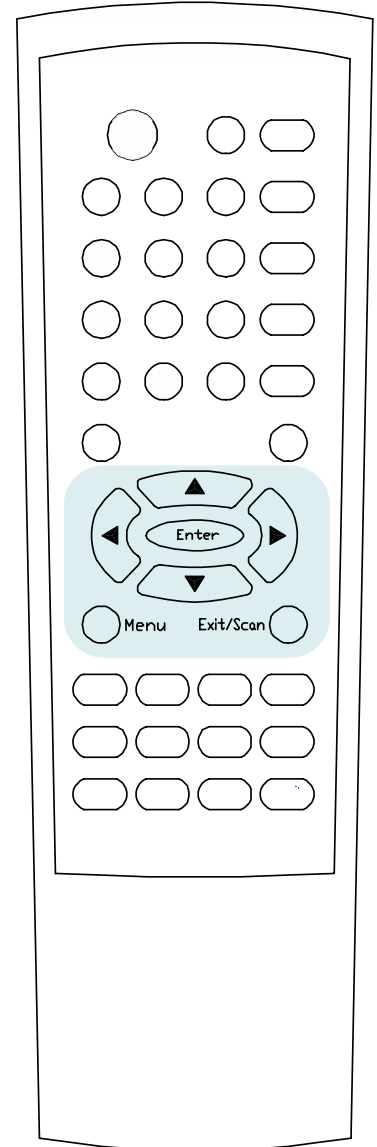
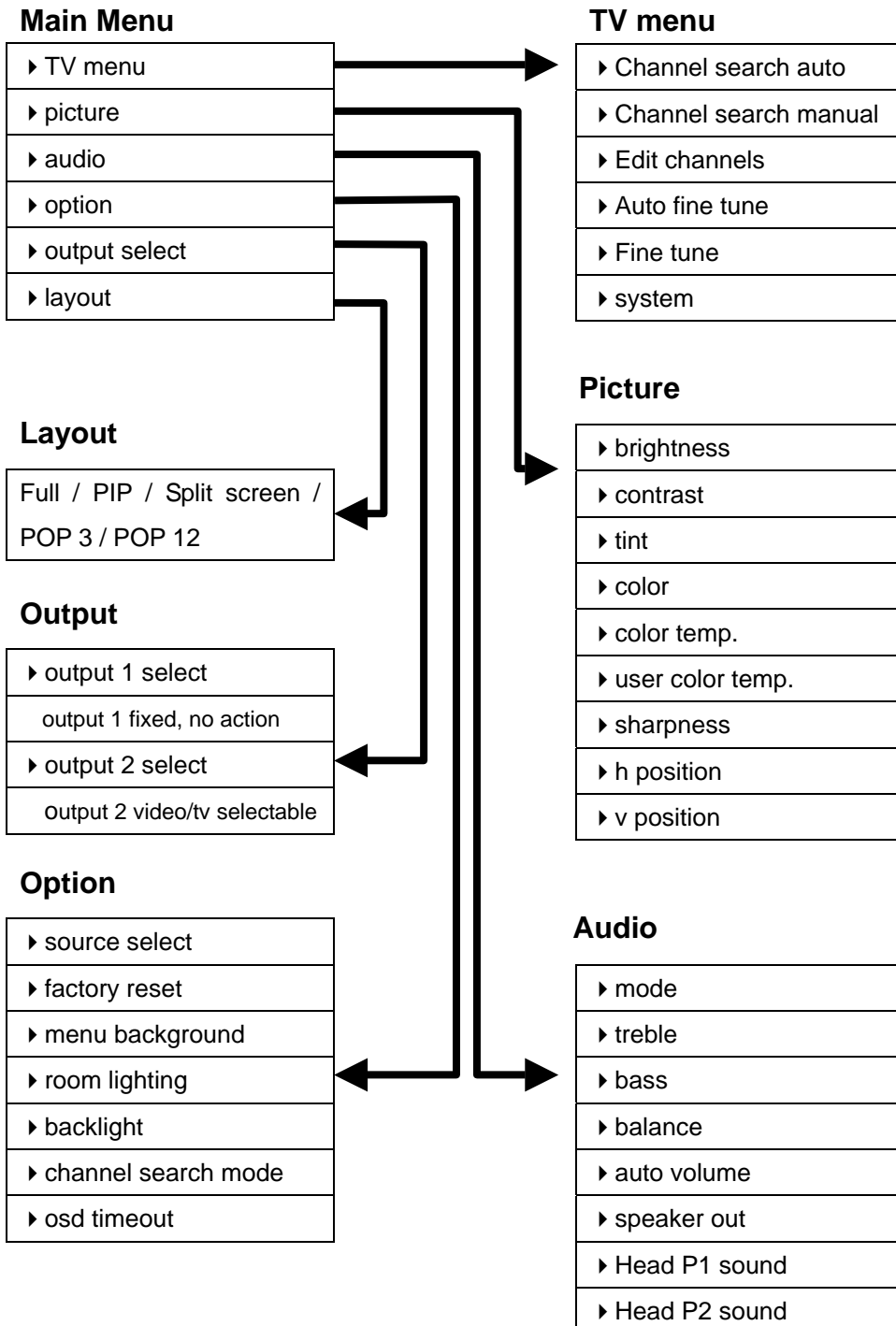
## On screen menus

The dialogue between you and your set takes place on screen with an operator menu.

The buttons required for the operating steps are also displayed.

### Menu selection (with using remote control)

1. Press the **MENU** button and then **▲ / ▼** button to display each menu.
2. Press the **▶** button and then **▲ / ▼** button to select a menu item.  
Press the **◀ / ▶** button to change the setting of selected item.
4. Press the **EXIT** button to exit the OSD menu.



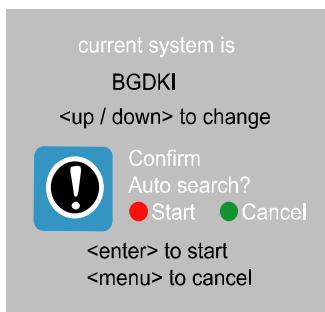
## Setting up TV stations

Once you have preset the stations, you will be able to use the ▲ / ▼ or NUMBER buttons to scan the stations you have programmed. Stations can be tuned using automatic or manual modes.

### Channel searching automatically

All stations that can be received are stored by this method. It is recommended that you use auto channel search during installation of this set.

1. Press the **MENU** button and then ▲ / ▼ button to select the **TV menu**
2. Press the ► button and then ▲ / ▼ button to select the **channel search auto**
3. Press the ► button to display **channel search auto** menu.

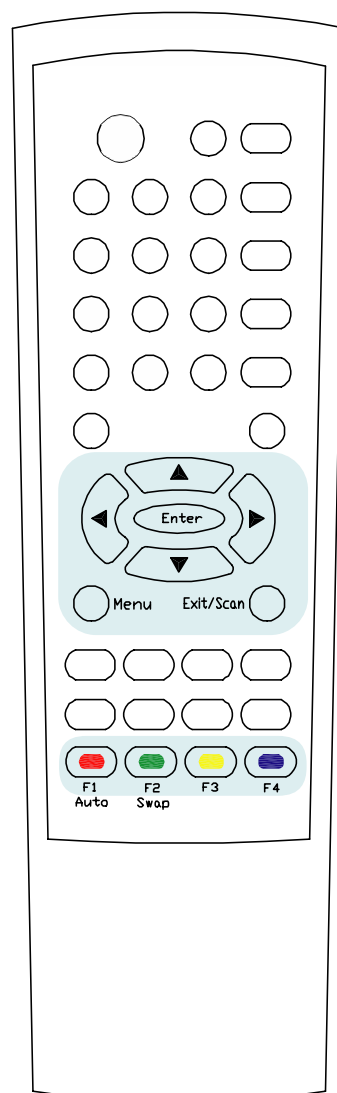
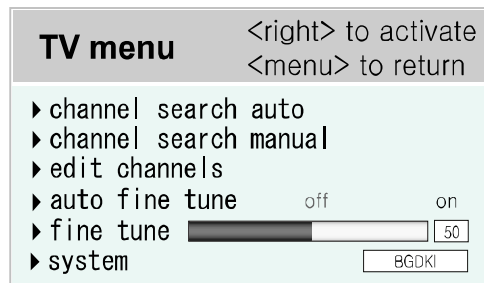


4. Select a TV system with the ▲ / ▼ button.
  - BGDKI** : PAL P/G, SECAM B/G (Europe/East Europe)  
PAL D/K, SECAM D/K(East Europe), PAL I/II (U.K./Ireland)
  - L** : SECAM L/L(France: SECAM-L models only)
5. Press **Red color** button to start searching channels



### Notes :

After finishing channel searching, Edit channel menu will be Appeared. Please refer to the next page.

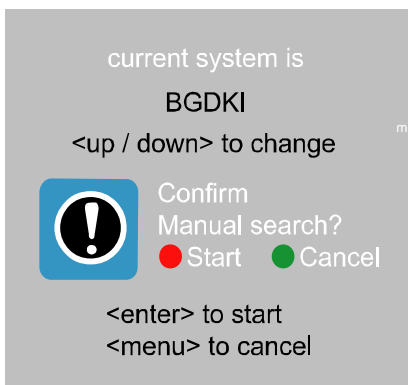


## Setting up TV stations

### Manual channel search

Manual channel search lets you manually tune and arrange the stations in whatever order you desire. Also you can assign a station name with characters to each program number.

1. Press the **MENU** button and then **▲ / ▼** button to select the **channel search manual**.
2. Press the **▶** button and then **▲ / ▼** button to select the **channel search manual**.
3. Press the **▶** button to display the **channel search manual** menu.



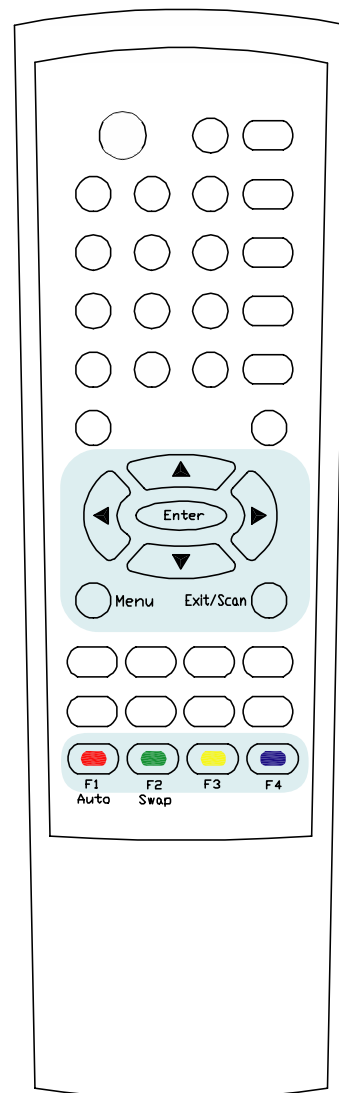
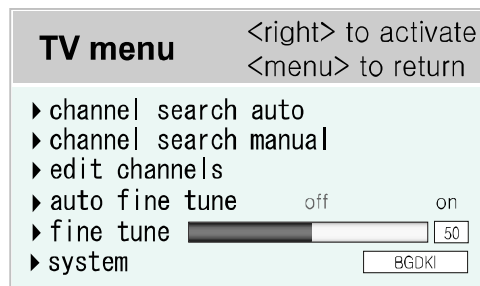
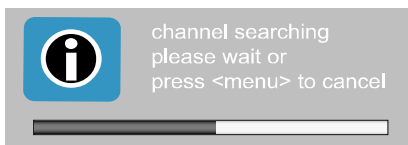
4. Select a TV system with the **▲ / ▼** button.

**BGDKI** : PAL P/G, SECAM B/G (Europe/East Europe)

PAL D/K, SECAM D/K(East Europe), PAL I/II (U.K./Ireland)

**L** : SECAM L/L(France: SECAM-L models only)

5. Press **RED** button to start searching channels



### Notes :

After finishing channel searching, Edit channel menu will be Appeared. Please refer to the next page.

## Setting up TV stations

### Editing channel editing and assigning a station name

1. Press the **MENU** button and then **▲ / ▼** button to select the **edit channels**.
2. Press the **▶** button and then **▲ / ▼** button to select the **edit channels**.
3. Press the **▶** button to display the **edit channels** menu.

1	PC 01	11	PC 11	21	PC 21
2	PC 02	12	PC 12	22	PC 22
3	PC 03	13	PC 13	23	PC 23
4	PC 04	14	PC 14	24	PC 24
5	PC 05	15	PC 15	25	PC 25
6	PC 06	16	PC 16	26	PC 26
7	PC 07	17	PC 17	27	PC 27
8	PC 08	18	PC 18	28	PC 28
9	PC 09	19	PC 19	29	PC 29
10	PC 10	20	PC 20	30	PC 20

● Delete    ● Move    ● Rename  
 <enter> to return    <menu> to exit

**TV menu**      <right> to activate  
                          <menu> to return

- ▶ channel search auto
- ▶ channel search manual
- ▶ edit channels
- ▶ auto fine tune      off                      on
- ▶ fine tune       50
- ▶ system                                      BGDKI

### Deleting a channel

1. Select a channel to be deleted with the **▲ / ▼** or **◀ / ▶** button.
  2. Press the **RED** button.
- The selected channel is deleted, all the following channels are shifted up one position.

### Moving a channel

1. Select a channel to be moved with the **▲ / ▼** or **◀ / ▶** button.
2. Press the **GREEN** button.
3. Move the channel to the desired program number with the **▲ / ▼** or **◀ / ▶** button.
4. Press the **GREEN** button again to release this function.

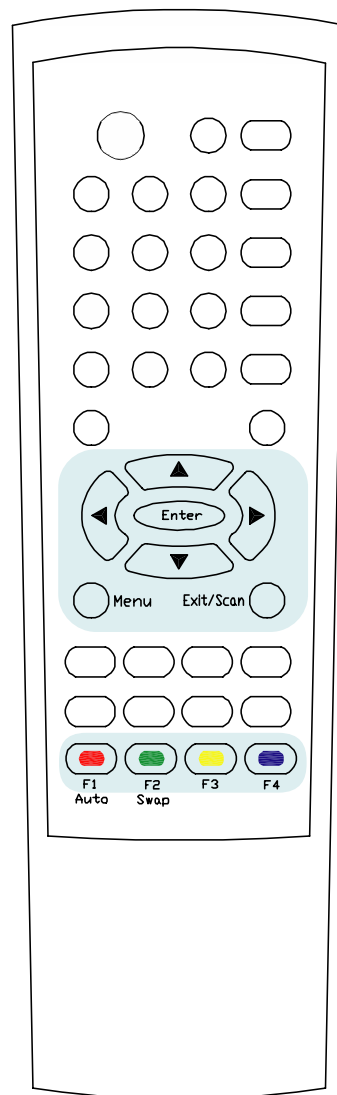
### Renaming a program

1. Select a channel to be renamed with the **▲ / ▼** or **◀ / ▶** button.
2. Press the **YELLOW** button to assign name with alphabet character.

channel - 13 -     

● channel down      ● channel up  
● clear lab      arrow keys to edit labe  
                          <menu> to return

3. Press the **GREEN** or **YELLOW** button to move to the desired channel.
4. Press the arrow buttons(**▲ / ▼** or **◀ / ▶**) to assign a station name to the selected channel.

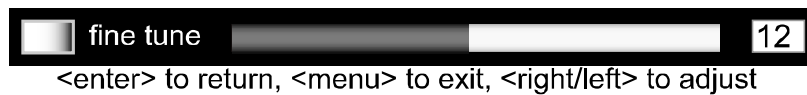


## Setting up TV stations

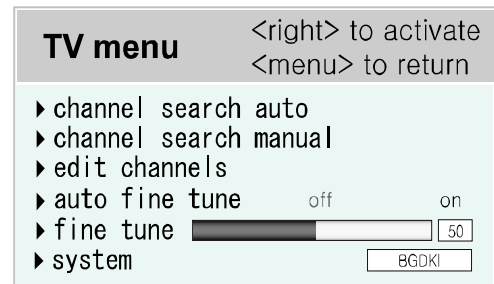
### Fine tuning

Normally fine tuning is only necessary if reception is poor.

1. Press the **MENU** button and then ▲ / ▼ button to select the **fine tune**.
2. Press the ► button and then ▲ / ▼ button to select the **fine tune**.
3. Press the ► button to display the **fine tune** menu.



4. Press right / left button(◀ / ▶) to fine tune for the best picture.
5. Repeatedly press the **MENU** button to return to normal TV viewing.





## **Picture setting**

1. Press the **Picture** button and then ▲ / ▼ button to select the desired item.

<b>Picture</b>		<right> to activate <menu> to return
▶ brightness	<input type="range" value="50"/>	50
▶ contrast	<input type="range" value="50"/>	50
▶ tint	<input type="range" value="50"/>	50
▶ color	<input type="range" value="50"/>	50
▶ colortemp	<input type="text" value="6500K"/>	
▶ user color temp	<input type="text" value="6500K"/>	
▶ sharpness	<input type="range" value="50"/>	50
▶ h position	<input type="range" value="50"/>	50
▶ v position	<input type="range" value="50"/>	50

2. Press the ◀ / ▶ button to change the values of desired item.
3. Press the **enter** button to return.
4. Press the **menu** button to exit.

### **Brightness**

Change the brightness of the LCD Display.

### **Contrast**

Change the contrast of the LCD Display.

### **Tint**

Changes the red tones in the LCD Display.

### **Color**

Change the color saturation of the LCD Display

### **Sharpness**

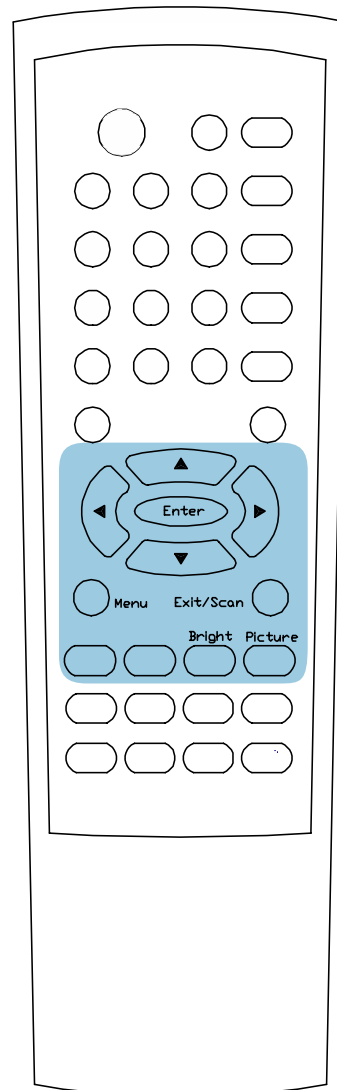
Adjust the clarity of the images.

### **H(Horizontal) Position**

Change the horizontal Position

### **V(Vertical) Position**

Change the vertical image position



## Picture setting

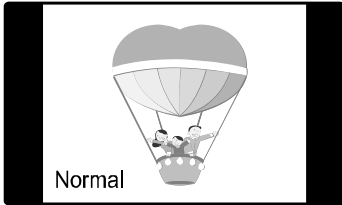
### Aspect(Picture format)

You can watch TV in various picture formats : normal, wide, fill all, zoom, video game zoom.

1. Press the **ASPECT** button to select the formats.

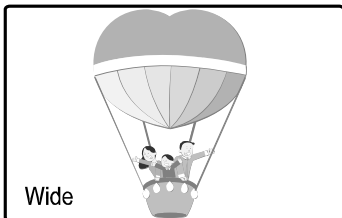
#### Normal

This picture format is 4 to 3 of general TV.



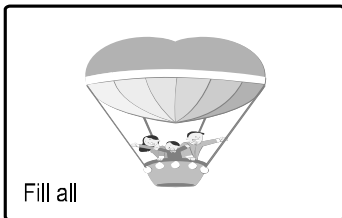
#### Wide

You can enjoy the cinema (the picture format of 16:9) or general TV through the 16:9 mode.



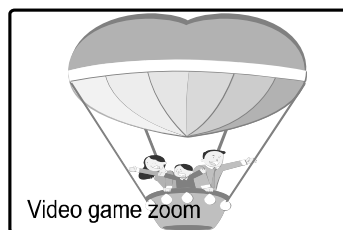
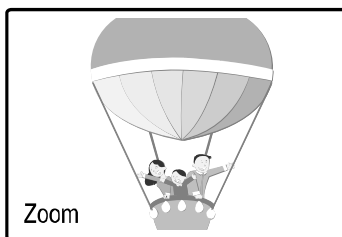
#### Fill all

The screen is magnified to the left / right side



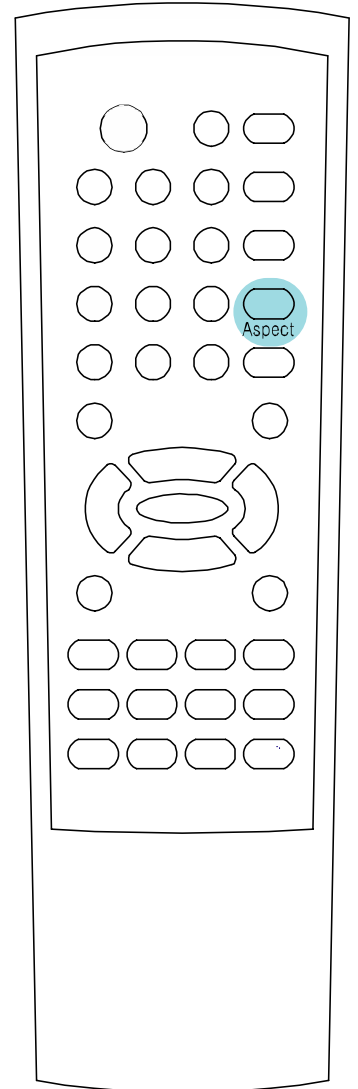
#### Zoom

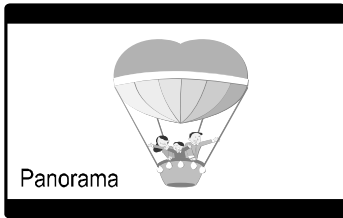
You can enjoy the cinema and video game zoom in a vast screen through the Zoom mode. The bottom and top of the picture may be lost.



#### Panorama

Use this mode for the wide aspect ratio of a panoramic picture.





## Audio setting

1. Press the **Audio** button and then ▲ / ▼ button to select the desired item.

Audio		<right> to activate
		<menu> to return
▶ tv sound		Mono
▶ treble	<input type="range"/>	50
▶ bass	<input type="range"/>	50
▶ balance	<input type="range"/>	50
▶ auto volume	off	on
▶ speaker out	off	on
▶ Head P1 sound	Vout 1	Main
▶ Head P2 sound	Vout 2	Main

2. Press the ▶ button to change the values of desired item.
3. Press the **enter** button to return.
4. Press the **menu** button to exit.

## TV sound

When a program is selected, the sound information for the station appears after the program number and station name disappear.

### Treble

Changes the high pitched sound.

### Bass

Changes the low pitched sound.

### Auto Volume

Adjusts the sound level automatically.

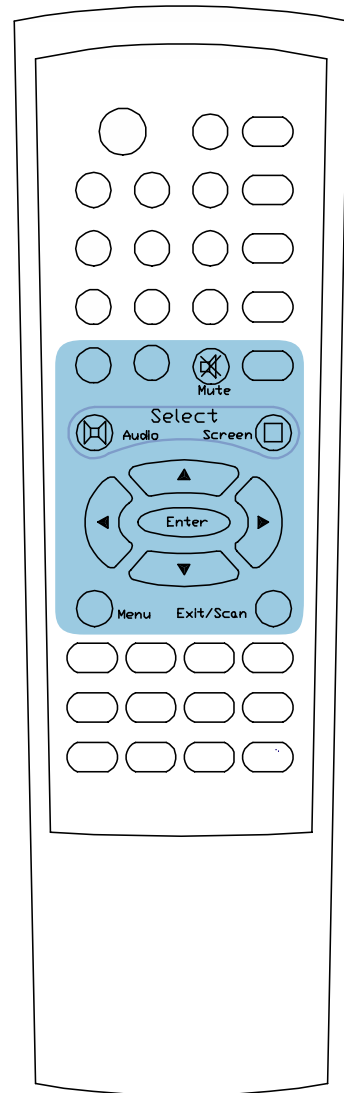
### Speaker Out

Options which sound out to additional extra speaker.

## <Mute>

Turns off the sound in temporary

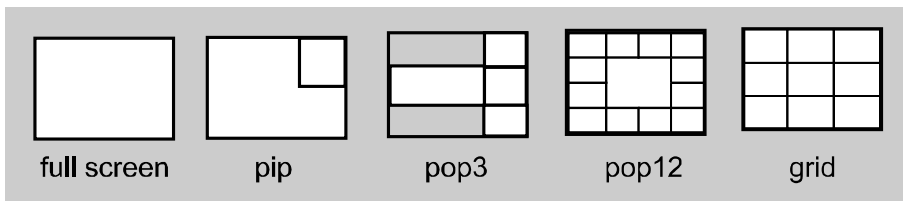
1. Press the **Mute** button to sound off in temporary





## Multi-screen(PIP, Split screen, POP, GRID)

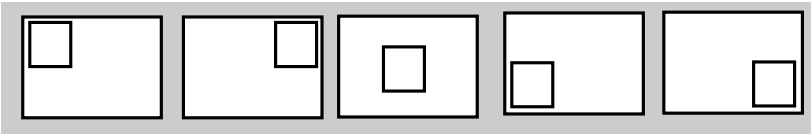
1. Press the **layout** button and then ◀ / ▶ button to select the layout..



2. Press the **Enter** button to display the selected layout.

### <Changing PIP position >

1. Press the **Move** button to display the positions of the PIP screen in the PIP layout



2. Press the ◀ / ▶ button to change the position.

3. Press the **menu** button to exit

### <Changing PIP size>

1. Press the **Resize** button to display the size of PIP screen in the PIP layout.

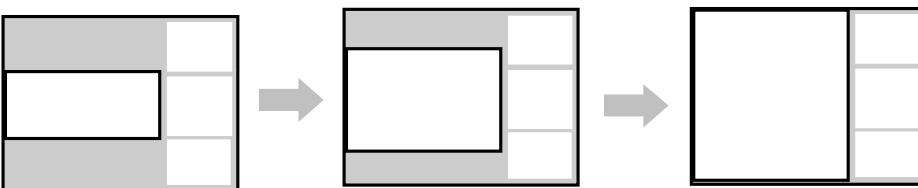


2. Press the ◀ / ▶ button to change the size.

3. Press the **menu** button to exit

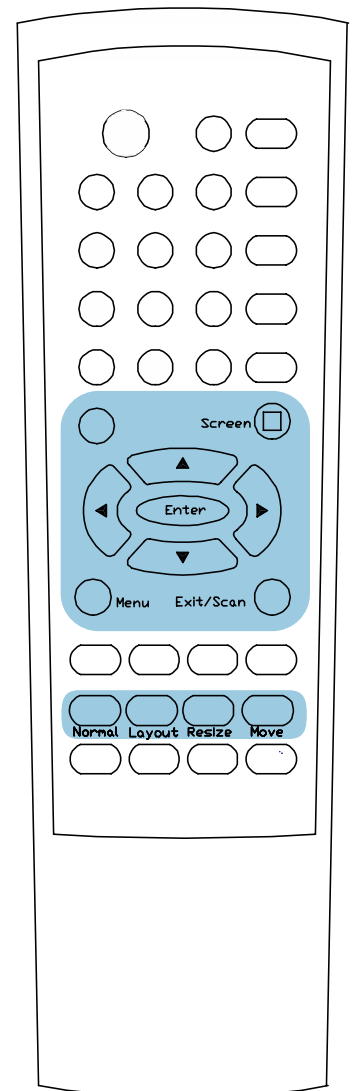
### <Changing POP3 size>

1. Press the **Resize** button to change main screen size in POP3 layout.



2. Press the ▲ / ▼ button to change the POP3 screen size.

3. Press the **menu** button to exit



### <Changing input sources>

1. Press the **Screen** button to display the activated cursor on the main or sub screen.
2. Press the **Screen** button again to move the cursor to the desired screen.
3. Press the **HD/PC**, **VIDEO** or **TV** to change

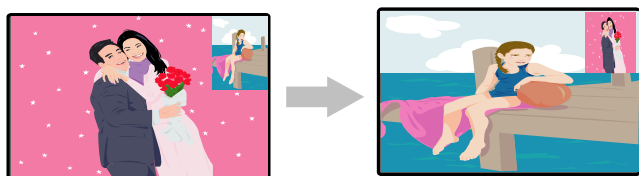
Input sources	Main screen	Sub screen
TV	TV1	TV2
Composite	Composite1	Composite2
Component	Component1	Component2
HD/PC	HD/PC	-

### **Multi-screen(PIP, Split screen, POP, GRID)**

### <Changing the main picture and the sub picture>

Changes the main picture and the sub picture in the PIP, Split screen and POP layout

1. Press the **Screen** to select the desired sub picture to change with main picture.
2. Press the **Swap** button to change



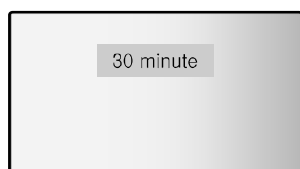
## Other Functions

### <Sleep timer>

User need not to remember to switch the set off before you go to bed. The sleep timer automatically switches the set to standby after the preset time elapses.

1. Press the **Timer** button to select the number of minutes.

off ⇌ 30 minute ⇌ 90 minute ⇌ 120 minute



To release sleep time setting, press the **SLEEP** button repeatedly to select the desired time.

2. Press the **exit** button to return to viewing screen.

### <Pause>

User can freeze a current moving picture and watch the paused picture..

1. Press the **Pause** button to freeze a moving picture.

2. Press again it to cancel.

### <Last>

Turns to the previous channel on only TV mode.

1. Press the **Pause** button to freeze a moving picture.
2. Press again it to cancel.

## Setting Options

1. Press the **Audio** button and then ▲ / ▼ button to select the desired item.

Option	<right> to activate <menu> to return	
▶ source select	auto	manual
▶ factory reset		
▶ menu background	<input type="text" value="translucent"/>	
▶ language	<input type="text" value="english"/>	
▶ room lighting	<input type="text" value="normal"/>	
▶ backlight	<input type="text" value="50"/>	
▶ channel search mode	<input type="text" value="Mono"/>	
▶ osd timeout	5sec	15sec 60sec

2. Press the ◀ / ▶ button to change the values of desired item.
3. Press the **enter** button to return.
4. Press the **menu** button to exit.

### source select

**Auto** : automatic search of currently connected input sources from external device.

**Manual** : user search of currently connected input sources the sources from external device.

### Factory reset

Reverts the Setting to Factory Default.

### Menu back ground

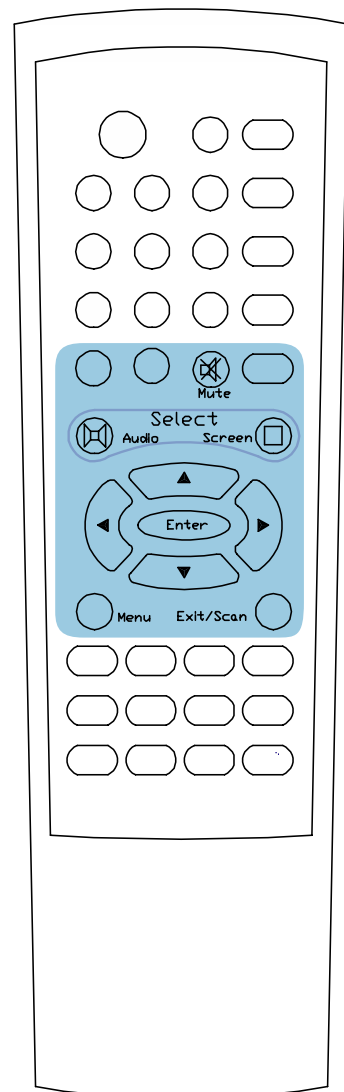
Sets the Background color for On Screen Display Menu.

### Language

Selects language of the OSD menus.

### room light

Automatic settings of Brightness and Contrast in various Screen modes i.e.Movie, Normal etc..



## OSD time out

Time designated for when On Screen Display to disappear

## **Teletext**

Teletext is a free service broadcast by most TV stations which provide up to minute information on news, weather, television programs as well as many other topics.

1. Press **Text** button on the remote to enable the Teletext services.
2. Press the ◀ / ▶ button (or Red color button/Green color button) to move the page of teletext.
3. Press the same button to return to the TV mode.

## Index

Displays the index page of the teletext.

## Zoom

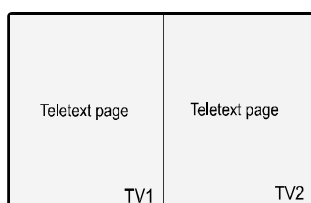
Enlarges the text size of the current page

## MIX

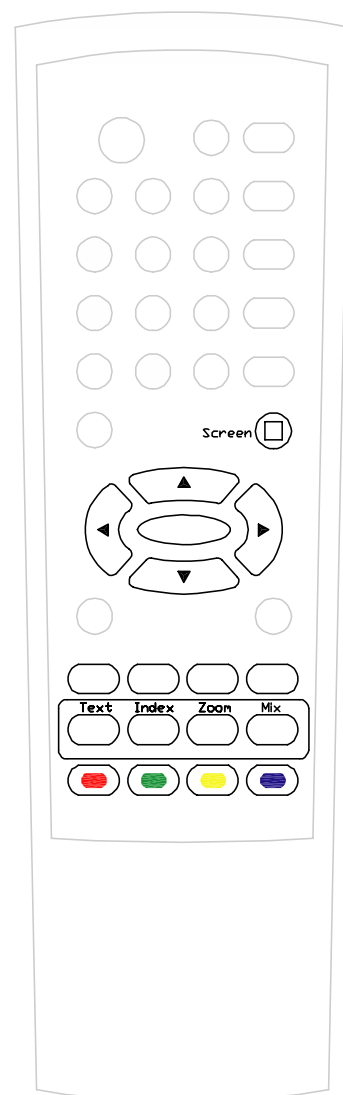
Displays the teletext pages superimposed on the TV picture.  
to switch the TV picture off press this button again.

## **<Watching the Teletext page in Split Screen>**

1. Press the **Layout** button to change the screen into Split screen.
2. Press the Text button.



3. Press the screen button to select the desired screen.
4. Press the **Picture** button to watch TV picture in the selected screen.





Note: To return to Teletext page again, press the **Mix** button twice.

5. Press the Text button to exit the Teletext page in two screens.

## Specification

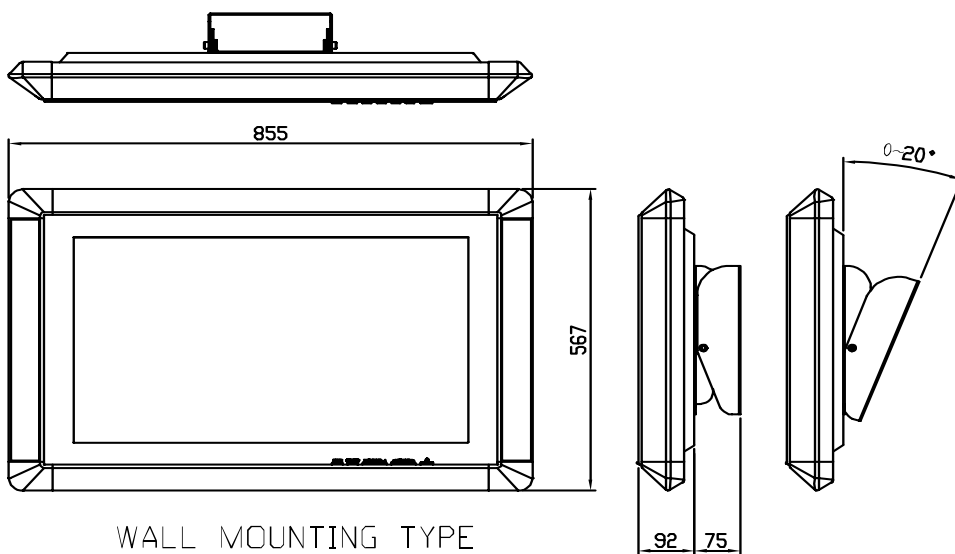
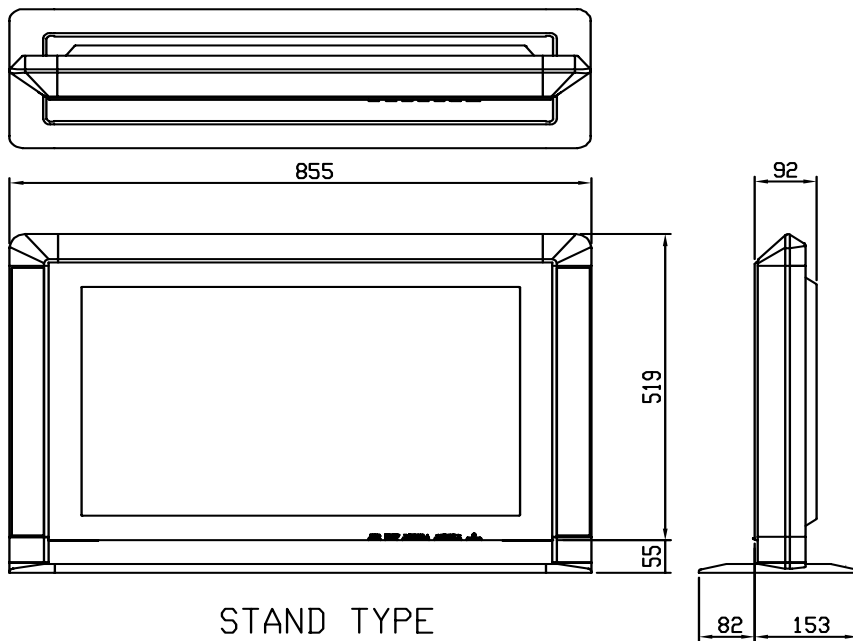
<b>LCD PANEL</b>	Display Size	30inches(750.062mm) diagonal	
	Display	697.8(H) x 431.8(V) x 50.9(D) mm(Typ.)	
	Response Time	Rise Time : 25ms	
	Pixel pitch	0.5025mm x 0.1675mm	
	Resolution	1280 horiz by 768 vert. Pixels RGB stripe arrangement.	
	Color Depth	8bit 16,7M colors	
	Luminance	450cd/m <sup>2</sup>	
	Contrast Ratio	350:1	
	View Angle	R/L170(Typ), U/D 170(Typ)	
<b>TV</b>	TV system	NTSC,PAL,SECAM	PAL/SECAM
	Sound system	M	B/G, D/K, I, L/L
	Stereo	A2, MTS	NICAM,A2
	TELETEXT	Caption	TELETEXT
	Parents Control	Yes	No
<b>Signal In</b>	<b>PC</b>	<b>DVI, Analog RGB(15P D-SUB)</b>	
	<b>VIDEO PLAYSTATION</b>	COMPOSITE ( BNC ) x 2	
		S-VIDEO (MINI DIN 4P) x 2	
		COMPONENT (YPbPr , BNC & HD Ready) x 3	
	<b>Audio</b>	PC audio (stereo jack)	
		COMPOSITE ( BNC)	
		COMPONENT (YPbPr , BNC & HD Ready)	
<b>Antenna</b>	75 ohm coaxial x 2		
<b>Euro A/V</b>	SCART (PAL only) x 1		
<b>Signal Out</b>	<b>Audio</b>	Head - phone x 2	
	<b>Speaker</b>	3W x 8	
<b>Power</b>	power consumption	Max. 120W Min. 3W	
<b>Adaptor</b>	IN	100~240V (50,60Hz)	



	OUT	24V * 6A
Dimension	W	855mm
	H	574mm
	D	235mm
Weight	Packed Weight	20.5kg
COLOR	COLOR	silver
CERTIFICATION	CERTIFICATION	FCC, UL, CE, TUV, MIC, VCCI
FUNCTION	FUNCTION	PIP, Double Screen, POP3, POP12, Grid

The performance specification figures indicated are nominal values of production units. There may be some deviations from these values in individual units.

### Dimensional Drawings



## **Trouble Shooting**

Before contacting service personnel, please perform the following simple checks.

### **No sound or picture.**

- Check that the mains lead has been connected to a wall socket.
- Check that you have pressed the "ON/OFF" button.
- Check the picture contrast and brightness conditions.
- Check the volume.

### **Normal picture but no sound.**

- Check the volume.
- Check whether the MUTE button has been pressed on the remote controller.

### **No picture or black and white picture.**

- Adjust the picture condition.
- Check that the broadcast system selected is correct.

### **Sound and picture interference.**

- Try to identify the electrical appliance that is affecting the television and move it further away.
- Plug your television into a different mains socket.

### **Blurred or snowy picture.**

- Check the direction, location and connections of your coaxial TV cable.

### **Remote control malfunctions.**

- Replace the remote controller batteries.
- Clean the upper edge of the remote controller(transmission window).
- Check the battery terminals.

### **The image is too light or too dark.**

- Adjust the Brightness and Contrast.

### **Horizontal bars appear to flicker, jitter or shimmer on the image.**

- Adjust the Fine function.

### **Vertical bars appear to flicker, jitter or shimmer on the image.**

- TV is suing its power management system.
- Move the computer's mouse or press a key on the keyboard.