

# WP100 Motion Detector and Transmitter

## Installation and Instructions

### 1. FEATURES

- True Quad element pyroelectric sensor
- Integral swivel bracket for wall or ceiling installation
- Sealed chamber protects the optical system
- Programmable motion event counter (1, 2, 3 events)
- Multi-position vertical pattern adjustment
- Low current consumption
- Microprocessor-controlled temperature compensation
- White light protection
- Elegant styled, sturdy case

**Note:** A built-in tamper switch is activated when the cover is removed.

### 2. Serial Number

The WP100 detector and transmitter, has its own unique serial number permanently assigned during manufacture.

The main control unit is required to “enroll” the device serial No. at some point prior its usage in the alarm system. Refer to the main control unit’s installation instructions for further details.

**WP100 S/N:** \_\_\_\_\_

### 3. Test mode

When power on, the following 3 minutes are testing mode, then you can adjust the position and direction of the PIR. In test mode, when the WP100 detects signals, the LED will turn on. (In normal condition, the LED lighting is used to indicate that the WP100 is emitting RF signals to outside).

### 4. High Traffic Shutdown Mode

To prolong battery life, the motion detector uses a feature called High Traffic Shutdown. When motion is detected, the device will transmit to the receiver and will then shut down for three minutes if motion is detected again during the shutdown time, the unit will not transmit the event to the receiver. The detector will thus remain in the shutdown mode until three minutes after the first motion detected was transmitted. The detector will transmit detected motion every three minutes

### 5. Specifications

#### Optical

**Detection pattern:** 90° wide angle lens with 18 true quad zones in 3 detection layers.

Max. coverage is 15 × 15m (50 × 50 ft).

#### **Pet Alley:**

plastic mask may be fitted internally; leaving only 9 quad zones in a single and layer; with the same view angle and coverage area as above.

**Adjustment:** Multi-position vertical adjustment.

#### Mounting

**Height:** 1.6m ~ 2.6m (5.4ft ~ 8.7ft)

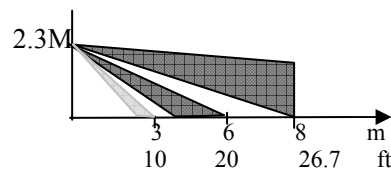
**Installation Options:** Surface or corner (without bracket)  
Surface or ceiling (with bracket)

**Bracket adjustment:** Vertical: 30° upward, 20° downward. Horizontal: 360° .

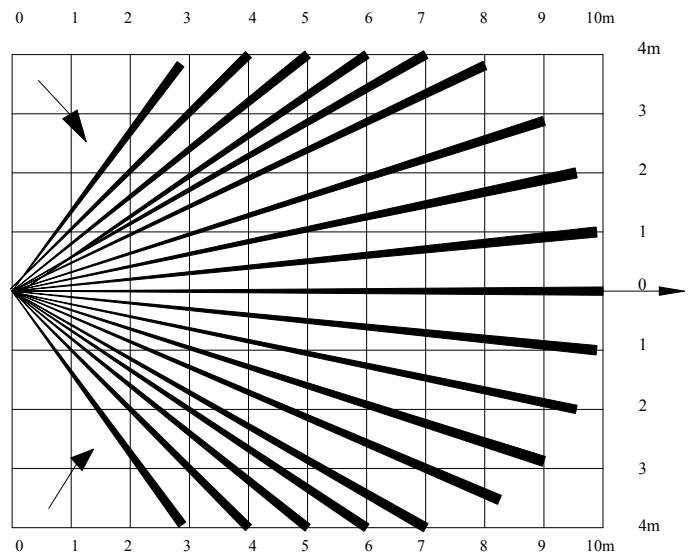
**Battery:** 2x3V Lithium

**Dimensions (H×W×D):** 105×61×35 mm  
(4.1×2.4×1.5in)

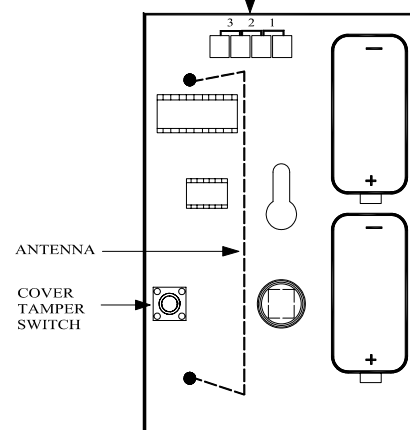
SIDE VIEW



Top view



PROGRAMMABLE MOTION EVENT COUNTER (1,2,3 EVENTS)



## **6.FCC**

This device complies with part 15 of the FCC Rules. Operation is subject to the following two conditions: (1) This device may not cause harmful interference, and (2) this device must accept any interference received, including interference that may cause undesired operation.

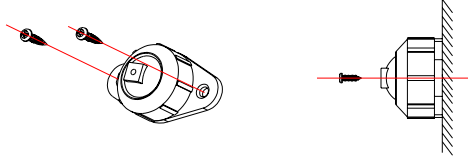
### **FCC Statement**

This equipment has been tested and found to comply with the limits for a Class B digital device, pursuant to part 15 of the FCC rules. These limits are designed to provide reasonable protection against harmful interference in a residential installation. This equipment generates, uses and can radiate radio frequency energy and, if not installed and used in accordance with the instructions, may cause harmful interference to radio communications

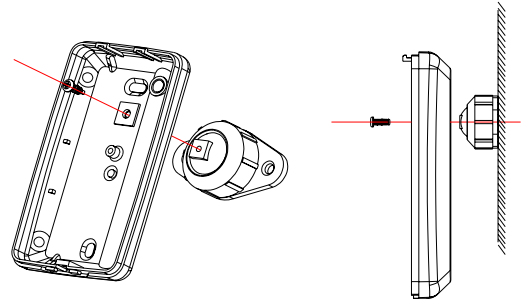
Any changes or modification not expressly approved by the party responsible could void the user's authority to operate the device.

# INSTALLATION GUIDELINE

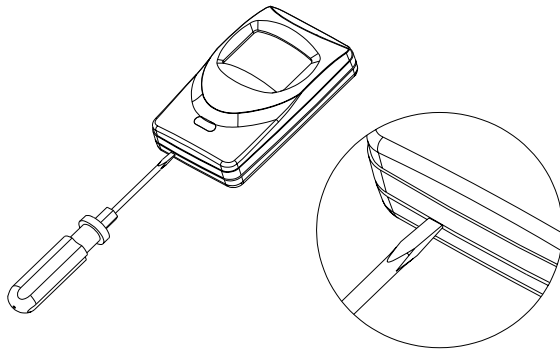
1. Fix the bracket to the location selected.



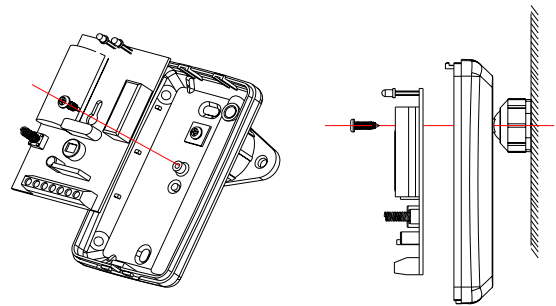
4. Fix the lower cover to the bracket.



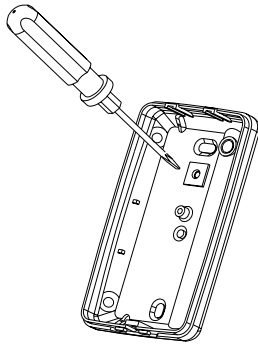
2. Separate the upper cover from the lower one with a screwdriver.



5. Fix the PCB on the lower cover.



3. Pierce through the hole on the lower cover with screwdriver to fix the bracket.



6. Buckle up the upper and lower covers again.

