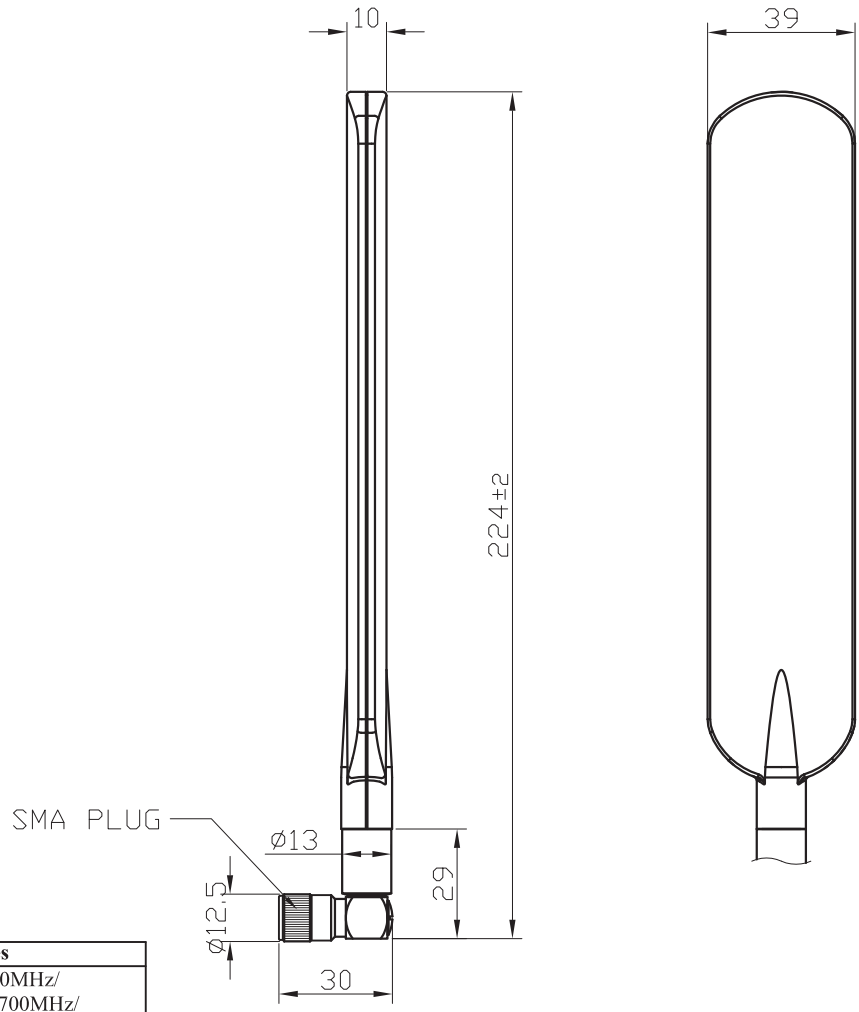


4		3		2		1	
REV	ZONE	DESCRIPTION	ECN NO.	ENG	APPROVED	DATE	



SMA PLUG

Electrical Properties	
Frequency Range	698~960MHz/ 1710~2700MHz/ 2500~2700MHz
Impedance	50Ω
V.S.W.R.	≤3.0
Radiation	Omni
Gain	1dBi @698~960MHz/ 2dBi @1710~2170MHz/ 3dBi @2500~2700MHz
Polarization	Vertical
Mechanical Properties	
Body Material	ABS757
Connector	Brass
Weight	61 g (est)
Operating Temp	-20°C ~ +65°C

UNLESS OTHERWISE SPECIFIED TOLERANCES ON: X ± 1 X.X ± 0.5 X.XX ± 0.25 ANG. ± 2.0° THIRD ANGLE PROJECTION	DRAWN BY: JANE	MATERIAL:	TITLE : #622X Replacement Antenna
	DESIGNED BY: 温祥能	FINISH:	DRAW NO. : 51369-2
	CHECKED BY: ALAN	SCALE: 1/2 ; UNIT: mm	PART NO. : YMX-622XSAXX
	APPROVED BY: IRENE	DATE: 2011/5/11	
THIS DRAWING CONTAINS INFORMATION THAT IS PROPRIETARY TO JOYMAX AND SHOULD NOT BE USED WITHOUT WRITTEN PERMISSION.		REV: 00	