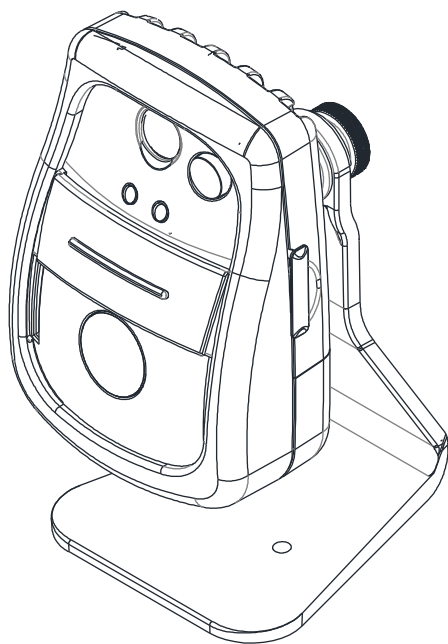
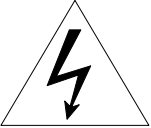
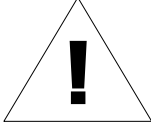


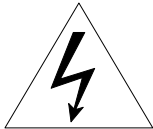
User's manual



Installation Guide

INFORMATION TO USER

	CAUTION RISK OF ELECTRIC SHOCK, DO NOT OPEN	
CAUTION: TO REDUCE THE RISK OF ELECTRIC SHOCK, DO NOT REMOVE COVER (OR BACK). NO USER SERVICEABLE PARTS INSIDE. REFER SERVICING TO QUALIFIED SEERIVCE PERSONEL.		



This symbol is intended to alert the user to the presence of un-insulated “dangerous voltage” within the product’s enclosure that may be of sufficient magnitude to constitute a risk of electric shock to persons.



This symbol is intended to alert the user to the presence of important operating and maintenance (servicing) instructions in the literature accompanying the appliance.

This device complies with part 15 of the FCC Rules.
Operation is subject to the following two conditions:
(1) This device may not cause harmful interference, and
(2) This device must accept any interference received,
including interference that may cause undesired operation.

Caution: Any changes or modifications to the equipment not expressly approved by the party responsible for compliance could void user’s authority to operate the equipment.

Table of Contents

1. FEATURES	4
2. PACKAGE CONTENTS	5
3. PART NAMES	6
4. INSTALLATION	7
4.1. Lens Position	8
4.2. Setting the Image Attribute	8
6. CONFIGURATION	9
6.1. View video on web page	9
6.2. Reset.....	10
6.3. Factory Default.....	10
APPENDIX (A): SPECIFICATIONS	11
Summary	11
Functional Features.....	12
Environment Characteristics	12
Environment Characteristics	12
Mechanical Characteristics	12
APPENDIX (B): DIMENSIONS	13
REVISION HISTORY	14

1. FEATURES

Camera

- Indoor Cube IP Camera
- HD720 (1280 x 720) streaming
- 1/4" 720p CMOS
- Improvement of color rolling suppression

Streaming

- Dual streaming mode
- Burnt-in text support
- Unicast supported

Video

- Video compression: H.264/ MJPEG, 30FPS@720p
- Built-in video motion detection

Network

- Verizon Wireless LTE B13,CDMA EVDO 800/1900
- RTSP/ HTTP protocol support

Additional Features

- Built-in Video Content Analysis
- SDK (Software Development Kit) provided

VCA (Video Content Analysis)

- VCA Presence (Standard)
- VCA Surveillance (Optional)

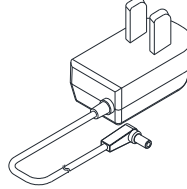
2. PACKAGE CONTENTS

Unpack carefully and handle the equipment with care. The packaging contains:

Camera



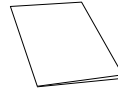
DC power adaptor



Screws and Anchor blocks

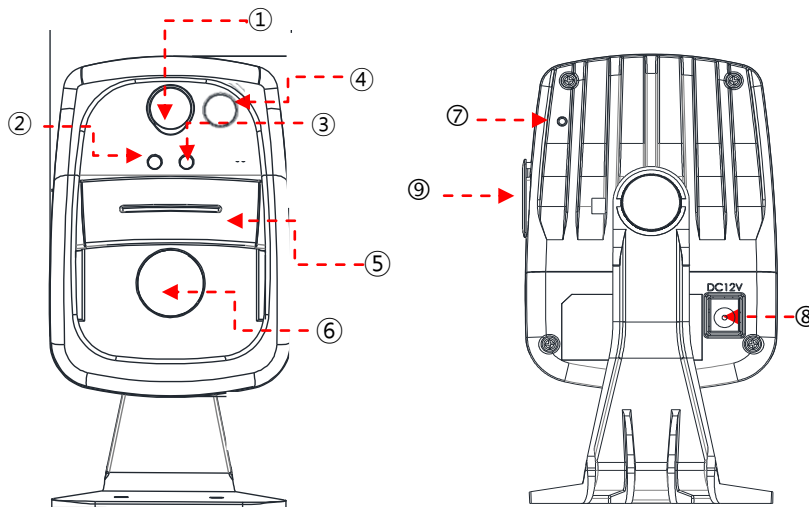


Quick Installation Guide



Package contents are subject to change without prior notice.

3. PART NAMES



* Models herein and their appearance are subject to change without any prior notice.

① PIR sensor

Detects movement of objects

② Sensor indicator LED

When PIR sensor detects, the indicator glows in red

③ Status LED

LED glows in green when the device is connected

④ White-light LED Illuminator

⑤ Privacy Shutter

Manual shutter to close the lens

⑥ Camera lens

Prepositioned 1/4" 720p CMOS sensor

⑦ Reset button

The reset button can be used for restarting the device or resetting it to Factory Default. Refer to 6.3. *Reset* and 6.4. *Factory Default* for more details.

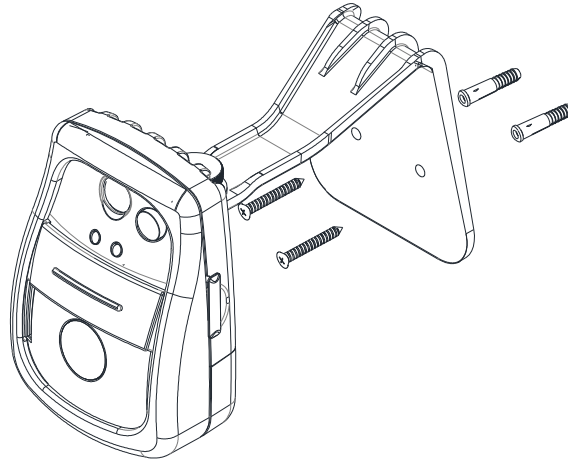
⑧ Power Adaptor Connector (DC 12V)

The camera needs a DC 12V adapter for power supply.

⑨ USIM Socket

Insert USIM Card

4. INSTALLATION



- 1) Drill two holes on the desired position of installation and insert anchor blocks into the holes.
- 2) Position the mount bracket to anchor blocks.
- 3) Fasten the mount bracket with screws.
- 4) Manually position the camera to area where it will be monitored.

**Caution**

To prevent camera falling off from the mounted area, make sure the mounted surface firm and stable enough to support the camera. If any reinforcement is needed, consult with your safety personnel and proceed with the installation.

we recommend to keep 20cm distance when installing this module.

4.1. Lens Position

The device's lens is prepositioned. While installing with wall-mount bracket, position the camera body where images will be captured.

4.2. Setting the Image Attribute

Image attributes can be configured through the web interface. (Microsoft® Internet Explorer recommended) The menu of image attribute can be found under **Setup > Video > Camera**. Through setting menu, brightness, contrast, saturation and sharpness, orientation, exposure control, backlight compensation, digital slow shutter (DSS), day and night mode, and image noise filter can be adjusted.

Setup > Video > Camera

General

Friendly name :

Video Appearance

Brightness : 128 (0 ... 255, 128)

Contrast : 128 (0 ... 255, 128)

Saturation : 128 (0 ... 255, 128)

Sharpness : 128 (0 ... 255, 128)

Orientation : Vertical flip Horizontal mirror

Exposure Control

Exposure control mode : ▼

Exposure adjustment : ▼ EV

BLC

Back light compensation : On Off ▼

DSS

Digital slow shutter : ▼

Day & Night

Day & Night mode : Auto Day Night

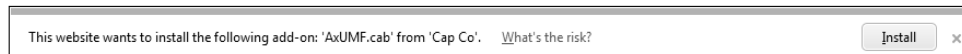
Image Signal Processing

Noise Filter : 0 (0 ...15)

5. CONFIGURATION

5.1. View video on web page

Once the device's proper IP address has been identified, type the URL in a web browser to access the camera. At first time access, installation window may pop up.



1. When the browser asks to install the AxUMF software, click Install to proceed.



2. When Setup installation pop-up window appears, click install to proceed with rest of installations.



Note

Depends on system OS and Internet Explorer version, Installation experience may differ from one another. Figures described above are from Windows 7, Internet Explorer 9 environment.

5.2. Reset

1. While the device is on, press the reset button for 1~2 seconds.
2. Wait for the system to reboot.

5.3. Factory Default

1. While the device is on, press reset button and hold.
2. Release the Reset button after about 5 seconds when green LED blinks, which is located in the front panel, at rate of 200ms.
3. Wait for the system to reboot.

APPENDIX (A): SPECIFICATIONS

Summary

Camera Module	
Image Sensor	1/4" 720p CMOS
Effective Pixels	1280 x 720
Scanning System	Progressive scanning
AGC Control	Auto
Minimum Illumination	0.8 Lux(50IRE), 0.1 Lux(DSS ON)
Lens	2.7mm F2.0 Megapixel
Field of View	91° (Horizontal)
Day & Night	Software
Smart Edge Enhance	Supported (Auto adjust the sharpness by Lux)
2D-DNR	Supported (1 ~ 16)
DSS (Sens-up)	2X ~ 32X
White Balance	ATW / Manual / Push
BLC	On(possible to designate zone) / Off
Video	
Compression Format	H.264, MJPEG
Number of Streams	Dual Stream, Configurable
Resolution	1280 x 720, 800 x 450, 480 x 270, 320 x 180
Compression FPS	30fps@720p
Motion Detection	Built-in
Burnt-in Text	Video stream overlay text

Functional Features

PIR Sensor	Supported
Network	Verizon Wireless LTE B13, CDMA EVDO 800/1900
Protocol	TCP/IP(IPv4), HTTP, RTP/RTSP, DHCP, FTP, SMTP, NTP, ARP, ICMP
Privacy Shutter	Detecting Position of Shutter On/Off

Environment Characteristics

Power Source	DC 12V
Power over Ethernet	None
Power Consumption (Approx)	800mA @ DC 12V

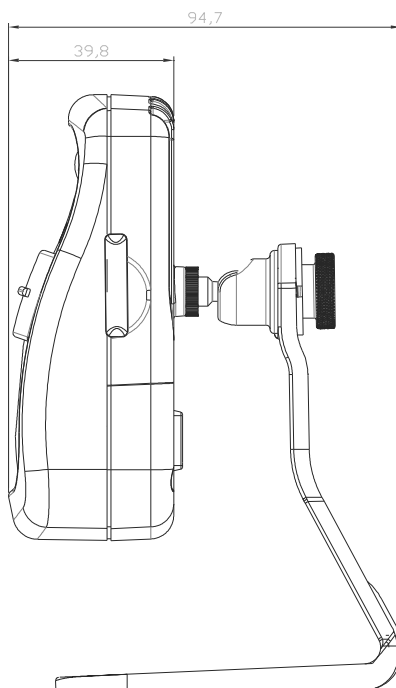
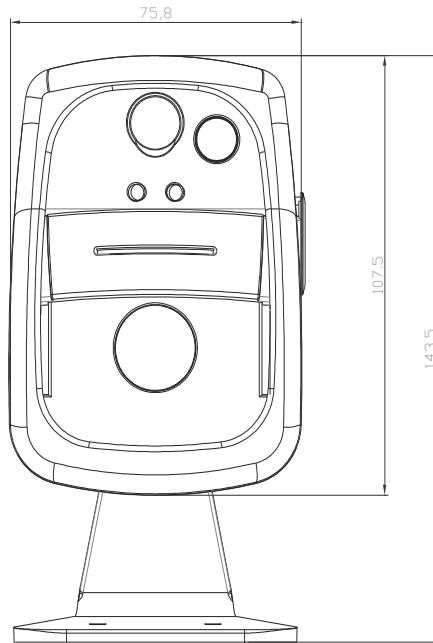
Environment Characteristics

Operating Temperature	DC12V : 0°C ~ 40°C (32°F ~ 104°F)
Operating Humidity	Up to 85% RH, Non-condensing
Certification	FCC Class B, CE, KC, RoHS
IP Protection Rating	No

Mechanical Characteristics

Material	Plastic (PC + ABS)
Color	Ivory
Dimension	76(W) x 107(H) x 40(D)mm
Weight (Approx)	150g (device only)

APPENDIX (B): DIMENSIONS



(Unit: mm)

REVISION HISTORY

MAN#	Comments
201307B	Initial release version