

INSIGNIA

QUICK SETUP GUIDE

4-Slice Toaster Oven NS-TO12SS8



PACKAGE CONTENTS

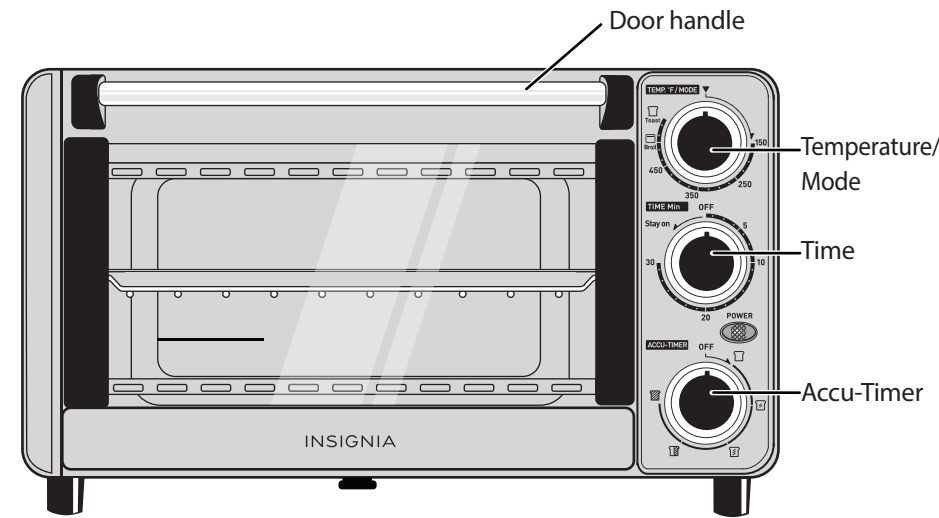
- Toaster Oven
- Chrome baking rack
- Aluminum baking tray
- Quick Setup Guide

FEATURES

- The Accu-Timer makes sure that you get the right shade of toast every time
- Auto-Glide shelves let you easily load and unload food
- Accessible crumb tray makes cleanup easy
- Two rack positions to allow you to fit larger items
- The broil function allows you to crisp your food to perfection

Before using your new product, please read these instructions to prevent any damage.

Final flat size: 20.6 × 7.50 in. (525.46 × 190.5 mm)
Folded size: 5.1576 x 7.50 in (131 × 190.5 mm)



BEFORE USING YOUR TOASTER OVEN FOR THE FIRST TIME

- 1 Remove all of the accessories and shipping materials that are packed inside of the oven.
- 2 Wash the baking rack and tray in warm, soapy water.
- 3 Wipe the interior of the oven with a damp cloth or sponge, then dry the interior.
- 4 Set the temperature knob to **Toast** and the timer to 15 minutes. This will burn off any oils remaining inside the toaster oven.

Note: The oven may smoke during this process. This is normal for a new oven, and it will not last more than 10-15 minutes.

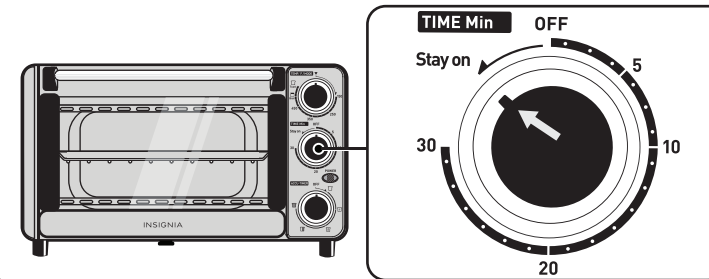
V1
FINAL
FOR PRINT

USING YOUR TOASTER OVEN

CAUTION: The outside of the toaster oven is hot during and after use.

General Instructions

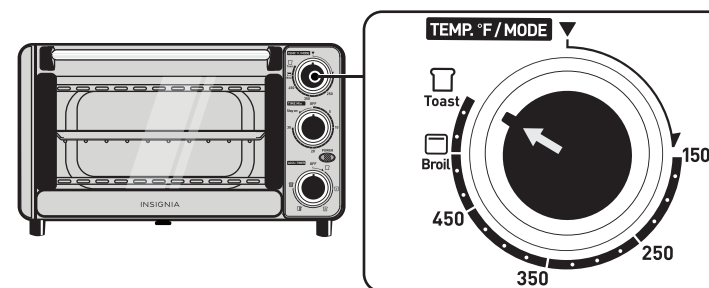
- 1 Plug the power cord into a power outlet.
- 2 Place the baking rack to fit the food to be cooked.
- 3 Place the food on the rack. If you are using a container, make sure that it is ovenproof.
- 4 Set the temperature and shut the door.
- 5 Turn the **TIME** or **ACCU-TIMER** knob clockwise to your desired setting. When finished, a bell sounds and the toaster oven turns off.
 - Notes:** The toaster oven will not turn on without a timer being set.
 - The timer can be changed while cooking. Just turn the **TIME** or **ACCU-TIMER** to the new desired time and continue cooking.
 - To set the cooking time, first rotate **TIME** more than 90 degrees, then set it to your desired cooking time.
- 6 Remove the food using oven mitts.
 - STAY ON:** This feature keeps the toaster oven on until the **TIME** has been set to **OFF**. It may be used for items that take longer than 30 minutes to cook.
 - Note:** Use close supervision when using **STAY ON**. Your food may catch fire if it is cooked too long.



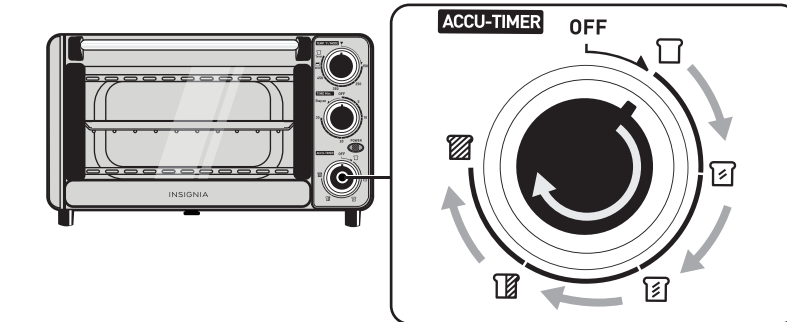
Toast

Use the toast function for foods such as bread, cookies, corn, and heating food. The toast function uses the upper and lower heating elements at the same time.

- 1 Set **TEMP/MODE** to **Toast**.



- 2 Set the **ACCU-TIMER** knob clockwise to your desired toast level.

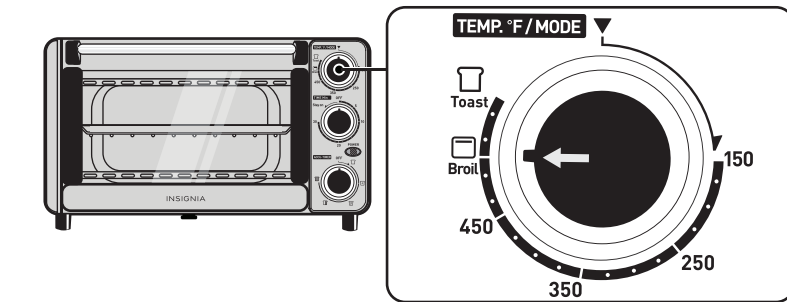


Note: Never use the **STAY ON** setting when toasting.

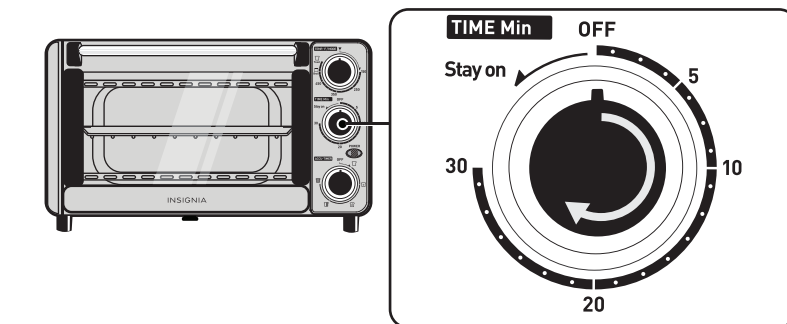
Broil

The **Broil** function is ideal for fish, beef, steak, vegetables, etc. The **Broil** function uses only the upper heating element.

- 1 Set **TEMP/MODE** to **Broil**.



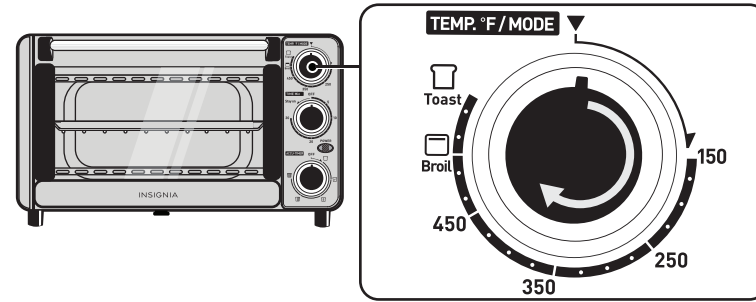
- 2 Set **TIME** to your desired cooking time.



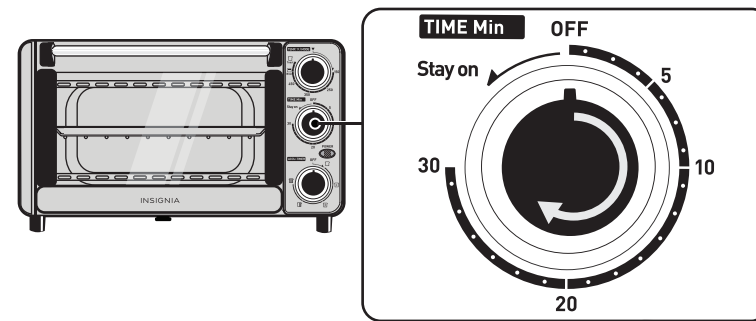
Bake (150° ~ 450°F)

Use the baking function for baking pizza, bread, cookies, pork, and steak. The baking function uses the upper and lower heating elements.

- 1 Set **TEMP/MODE** to the desired temperature between 150° ~ 450°F.



- 2 Set **TIME** to your desired cooking time.



MAINTENANCE AND CLEANING

- Unplug the toaster oven and allow it to cool completely before maintenance and cleaning.
- Wash all of the attachments with mild, soapy water, including the baking rack and tray.
- Do not use abrasive cleaners, scrubbing brushes, or chemical cleaners, as this will cause damage to the non-stick coating of the baking tray.
- Wipe the inside of the oven with a wet cloth.
- Wipe the door with a wet, soapy cloth.
- DO NOT immerse the unit in water or other liquids.
- Any other servicing should be performed by an authorized service representative.

SPECIFICATIONS

Exterior dimensions (H x W x D): 8.86 x 14.84 x 11.85 in

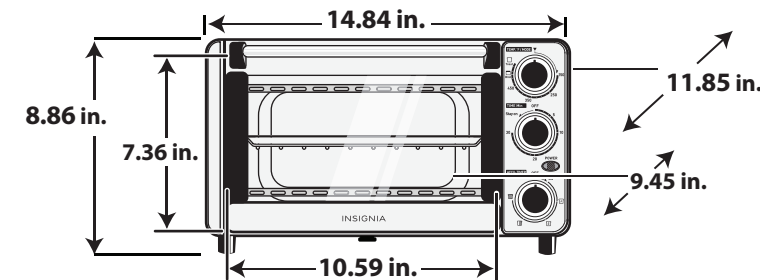
Interior dimensions (H x W x D): 7.36 x 10.59 x 9.45 in

Weight: 17.14 lbs

Power supply: 120V~60Hz

Power consumption: 1100W

Power cord length: 2.30 ft



TROUBLESHOOTING

- A small amount of smoke is normal for the first couple of times using your toaster oven. If your toaster oven continues to emit smoke, unplug it, let it cool, then empty the crumb tray. Stop using your toaster oven and contact an authorized service representative if your toaster still continues to smoke.
- If you use your toaster oven several times in a row, the additional items may be browner because your toaster oven is already hot. Adjust the toaster oven settings.
- If the electrical circuit is overloaded with other appliances, your toaster oven may not operate properly. Your toaster oven should be operated on an electrical circuit that is separate from other operating appliances.

SAFETY INFORMATION

When using electrical appliances, basic safety precautions should always be followed:

- 1 Read all of the instructions before using your toaster oven.
- 2 To protect against any electrical hazards, DO NOT place the unit or power cord in water or other liquids.
- 3 Do not touch any hot surfaces. Use oven mitts for removing or touching any hot parts. Always place the toaster oven on heat-protected surfaces.
- 4 Leave about 4-6 in. (100-150 mm) of open space around the exterior of the toaster oven.
- 5 Unplug the unit from the outlet when it is not in use and before cleaning. Always allow the toaster oven to cool before attaching or removing any parts.

- 6 Use of accessory attachments is not recommended by the appliance manufacturer because they may cause injuries.
- 7 Always turn the controls to "off" before unplugging from wall outlet.
- 8 Do not let the power cord hang over the edge of a table or counter or touch a hot surface.
- 9 Do not place the toaster oven inside of a heated oven or near a hot gas or electric burner.
- 10 Do not use outdoors.
- 11 Do not use your toaster oven if the cord or plug has been damaged or after your toaster oven has malfunctioned or been damaged in any other way. Return your toaster oven to the nearest authorized service facility for repair or adjustment.
- 12 Store only the accessories that were provided inside of your toaster oven when it is not in use. Do not store any other materials.
- 13 Do not put any items on top of the toaster oven when it is in use or place the toaster oven close to curtains, draperies, walls, or other flammable materials. A fire may occur if the toaster oven is covered or touching flammable material.
- 14 Do not place any cardboard, paper, or plastic inside of the toaster oven.
- 15 Make sure that all containers placed inside of the toaster oven are not airtight and have enough room to allow for expansion of fluids.
- 16 Clean your toaster oven regularly. A buildup of grease may cause a fire.
- 17 Do not clean your toaster oven with metal scouring pads. Pieces of the pad can break off and touch electrical parts, which increases your risk of electric shock.
- 18 In order to prevent accidental burns, always use the handle and knobs to operate your toaster oven.
- 19 Do not touch the exterior of the toaster oven when it is in use. The temperature of the door or the housing may be hot.
- 20 Do not place oversized food or metal utensils inside of your toaster oven. Doing so may result in a fire or in risk of electric shock.
- 21 Do not cover the crumb tray or any other part of the toaster oven with metal foil. This will cause the toaster oven to overheat.
- 22 Use extreme caution when moving something containing hot oil or other hot liquids and when removing a tray or disposing of hot grease.
- 23 Do not allow someone with reduced physical, sensory, or mental capabilities; someone with a lack of experience and knowledge; or children to use your toaster oven unless they have been given supervision or instruction regarding use of the toaster oven by a person that is responsible for their safety.
- 24 Supervise children to make sure that they do not play with your toaster oven.
- 25 Do not use an external timer or separate remote-control system with your toaster oven.
- 26 Use a short or detachable power cord to reduce the risk of becoming entangled in or tripping over the power cord.
- 27 Be careful when using long power cords or extensions cords. If you use a longer, detachable power cord or extension cord, make sure that:
 - a. The marked electrical rating of the power cord or extension cord is at least as great as the electrical rating of your toaster oven.
 - b. The power cord does not drape over the countertop or tabletop, where it can be pulled on by children or tripped over unintentionally.

- c. The power cord or extension cord is a grounding-type 3-wire cord, if your toaster oven needs to be grounded.

- 28 Do not use your toaster oven for anything other than its intended use.
- 29 Use extreme caution when handling objects that are not made of metal or glass.
- 30 Save these instructions.

ONE-YEAR LIMITED WARRANTY

Visit www.insigniaproducts.com for details.

CONTACT INSIGNIA

Visit www.insigniaproducts.com for details.

INSIGNIA is a trademark of Best Buy and its affiliated companies

Distributed by Best Buy Purchasing, LLC

7601 Penn Ave South, Richfield, MN 55423 U.S.A.

©2017 Best Buy. All rights reserved.

Made in China