

INSIGNIA™

# Wood Finish and Glass 3-in-1 TV Stand for TVs up to 52"/135 lbs.

NS-3IN1MT50C/NS-3IN1MT50C-C



SAFETY INFORMATION AND SPECIFICATIONS	. 2
PACKAGE CONTENTS: PARTS	..... 4
PACKAGE CONTENTS: HARDWARE	..... 5
ASSEMBLY INSTRUCTIONS	..... 7
CARE AND MAINTENANCE	..... 29

Before using your new product, please read these instructions to prevent any damage.

# SAFETY INFORMATION AND SPECIFICATIONS



**CAUTION:** The top surface of this stand is designed for use with a product weighing no more than 135 lbs. (61.2 kg) and having a width that permits it to sit evenly on the stand with no more than a one-inch overhang on each side of the shelf. Use with products that weigh more than the maximum weight allowed, or with dimensions that extend beyond the maximum width may result in instability, which may result in injury.

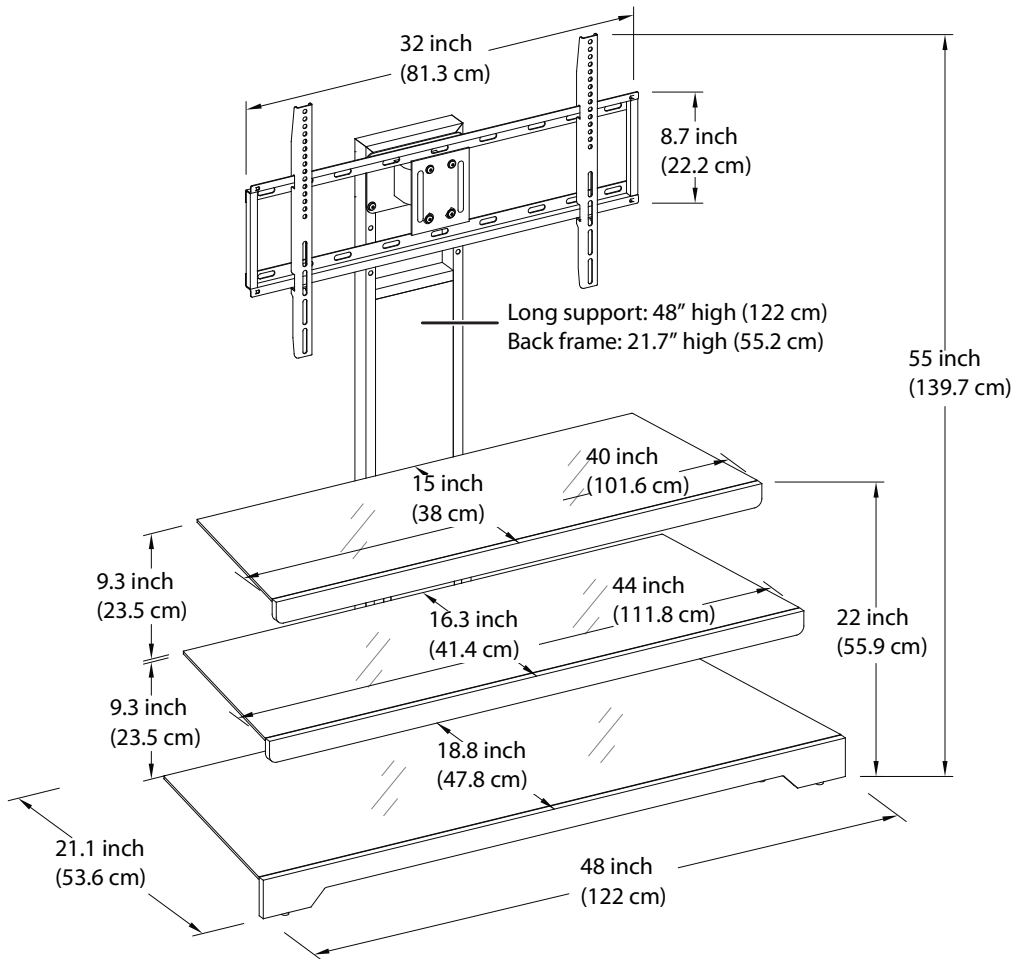


**CAUTION:** This product contains small items that could be a choking hazard if swallowed. Keep these items away from young children!

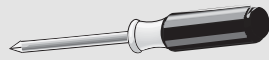
**Maximum overall weight:** 235 lbs (106.6 kg)  
**Maximum top shelf weight:** 135 lbs (61.2 kg)  
**Maximum lower shelf weight:** 50 lbs (22.6 kg)

**Maximum screen size:** 52" diagonal (50" width) side of the top shelf

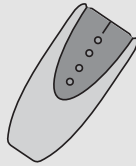
**Overall dimensions (H x W x D):**  
 55 x 48 x 21.1 in. (139.7 x 122 x 53.6 cm)



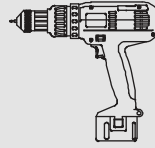
**Tools needed:**



Phillips screwdriver



Edge-to-edge stud finder



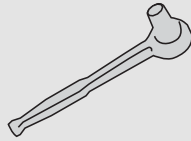
Power drill



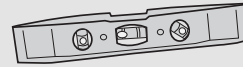
Pencil



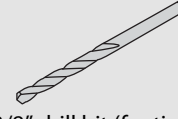
Hammer



1/2" Socket wrench



Level

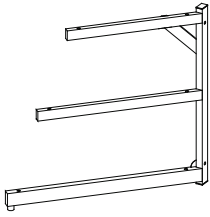


3/8" drill bit (for tipping restraint)  
3/16" wood drill bit  
or  
7/16" masonry drill bit

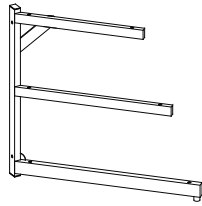
# PACKAGE CONTENTS: PARTS

Make sure that you have all the parts necessary to assemble your new TV stand.

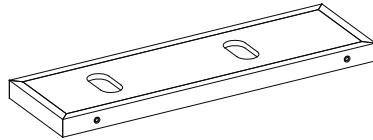
**A** Left side frame (1)



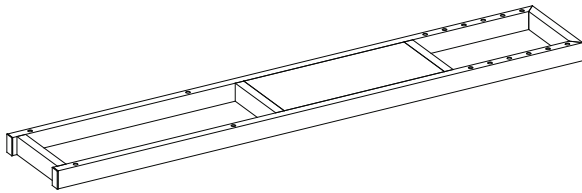
**B** Right side frame (1)



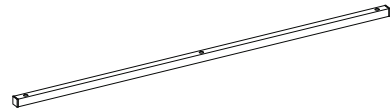
**C** Short back frame (1)



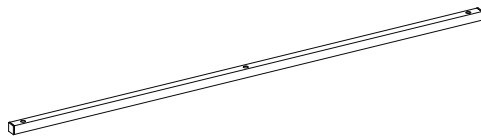
**D** Long rear support (1)



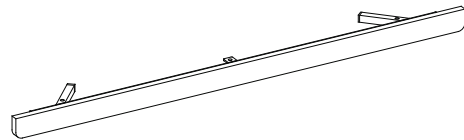
**E** Top crossbar (1)



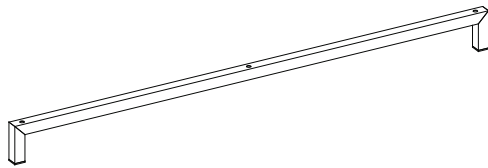
**G** Middle crossbar (1)



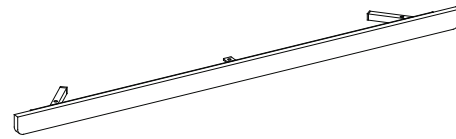
**F** Top stringer (1)



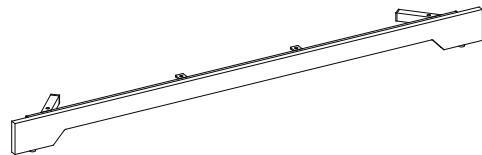
**I** Bottom brace (1)



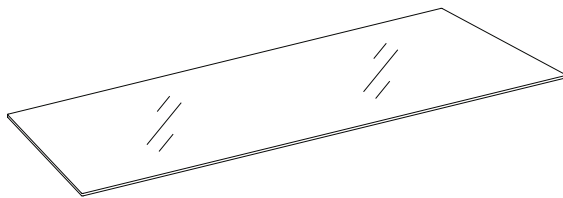
**H** Middle stringer (1)



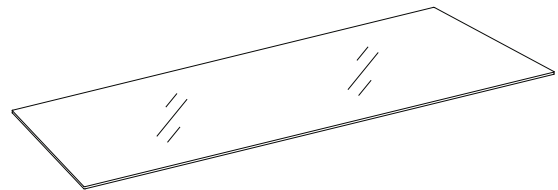
**J** Bottom stringer (1)



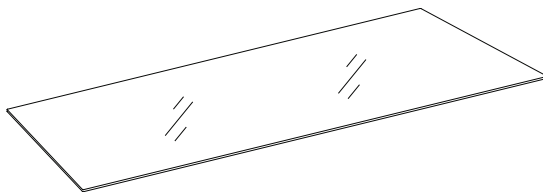
**K** Top glass (1)



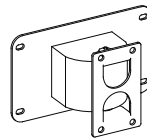
**L** Middle glass shelf (1)



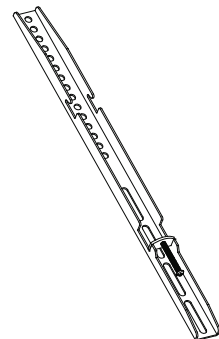
**M** Bottom glass shelf (1)



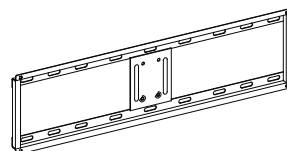
**N** Swivel bracket (1)



**Q** TV bracket (2)





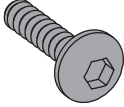
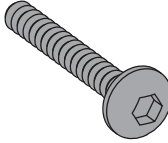
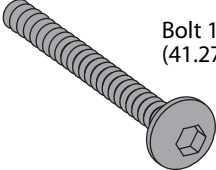
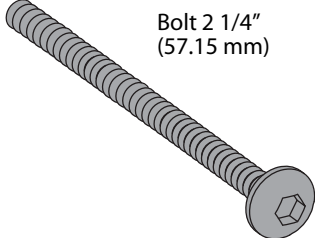
**P** Mounting frame (1)




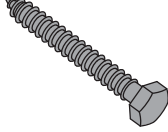

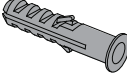

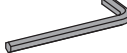



# PACKAGE CONTENTS: HARDWARE

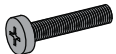
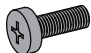
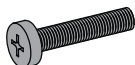
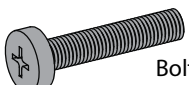
**Note:** You may receive extra hardware. **Note:** You may receive extra hardware.





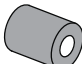
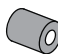
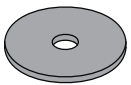
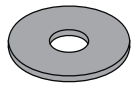
Make sure that you have all the hardware necessary to assemble your new TV stand.

Label	Hardware	Qty.
R	 Cable clip	2
S	 Suction cup	19
T	 Bolt 3/4" (19.05 mm)	8
U	 Bolt 1 3/8" (34.92 mm)	4
V	 Bolt 1 5/8" (41.27 mm)	8
W	 Bolt 2 1/4" (57.15 mm)	12

Label	Hardware	Qty.
X	 Lock washer	32
Y	 Flat washer	36
Z	 Hex nut	8
AA	 Lag bolt	4
BB	 Large flat washer	4
CC	 Concrete anchor	4
DD	 Open wrench	1
EE	 Allen (hex) wrench 0.158" (4 mm)	2
FF	 Touch-up pen	1

## PACKAGE CONTENTS: HARDWARE (continued)

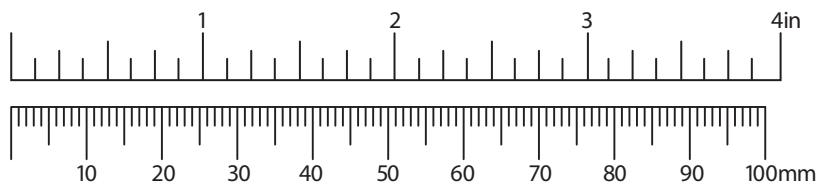
Label	Hardware	Qty.
GG	 Tipping restraint hardware kit	1
HH	 Bolt M4 × 12 mm	4
II	 Bolt M4 × 30 mm	4
JJ	 Bolt M5 × 12 mm	4
KK	 Bolt M5 × 30 mm	4
LL	 Bolt M6 × 12 mm	4
MM	 Bolt M6 × 35 mm	4
NN	 Bolt M8 × 16 mm	4
PP	 Bolt M8 × 40 mm	4

Label	Hardware	Qty.
QQ	 Lock washer M4	4
RR	 Lock washer M5	4
SS	 Lock washer M6	4
TT	 Lock washer M8	4
UU	 Large spacer	4
VV	 Small spacer	4
WW	 Flat washer M4/M5	8
XX	 Flat washer M6/M8	4



### Sellpoints Video Instruction Guide

Go to <http://vig.sellpoints.com/insignia/default/ISGBBY00001.html> to view step-by-step instructional videos for assembling and installing your product.



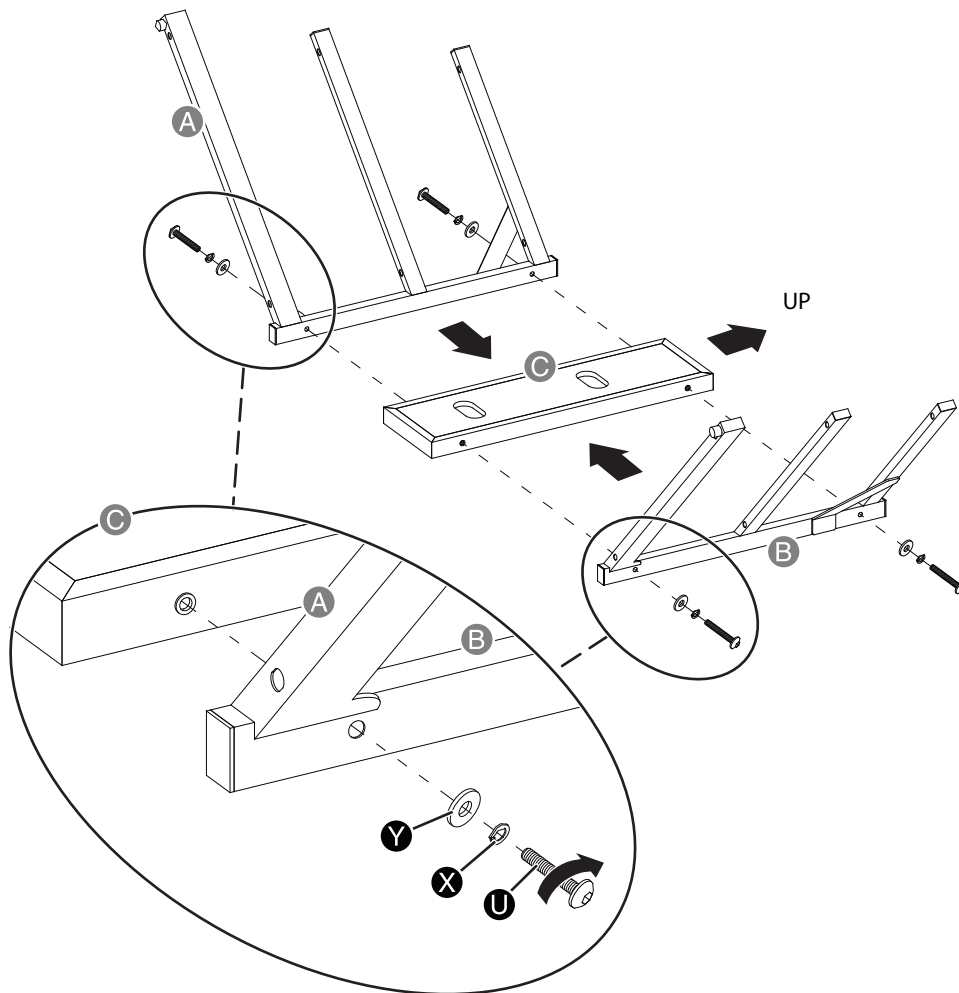
# ASSEMBLY INSTRUCTIONS

## Step 1: Align and attach the left and right side frames (A and B) to the back frame (C)

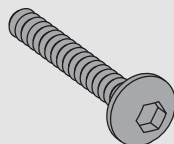
**Caution:** Assemble your stand on a carpeted floor or the empty carton to avoid scratching your stand.

- 1 Insert two 1 3/8" bolts (U) through both lock washers (X) and flat washers (Y) through the drilled holes on the left side frame (A) and screw into the threaded holes on the side of the short back frame (C).
- 2 Repeat the same procedure to attach the right side frame (B).

**NOTE:** Do not fully tighten all bolts until you finish assembling all parts. Once assembled, go back and fully tighten all bolts. This will make the assembly easier.



### You'll need:



U (4)



X (4)



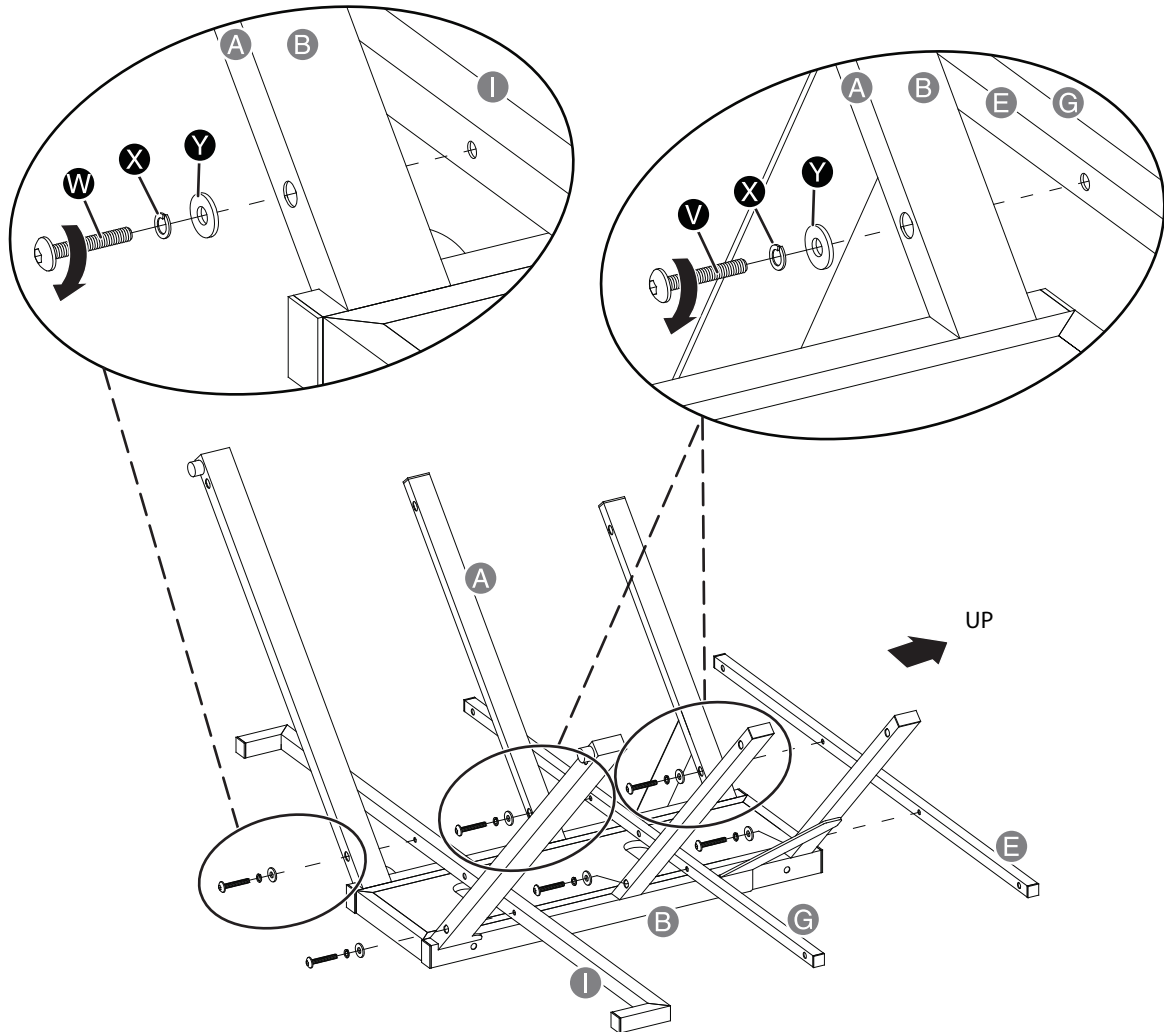
Y (4)



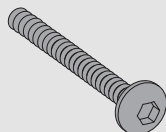
EE (1)

## Step 2: Align and attach the upper and middle crossbars (E and G) and the bottom brace (I) to the side frames (A and B)

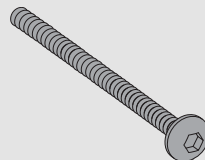
- 1 Insert two 1 5/8" bolts (V) through the lock washers (X) and flat washers (Y) through the drilled holes on the top rail of the side frames (A and B) and securely screw into the threaded holes of the top crossbar (E).
- 2 Repeat the same procedure to attach the middle crossbar (G) to the middle rail of the side frames (A and B).
- 3 Insert two 2 1/4" bolts (W) through the lock washers (X) and flat washers (Y) through the drilled holes on the bottom rail of the side frames (A and B) and securely screw into the threaded holes of the bottom brace (I).



### You'll need:



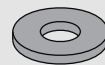
V (4)



W (2)



X (6)



Y (6)

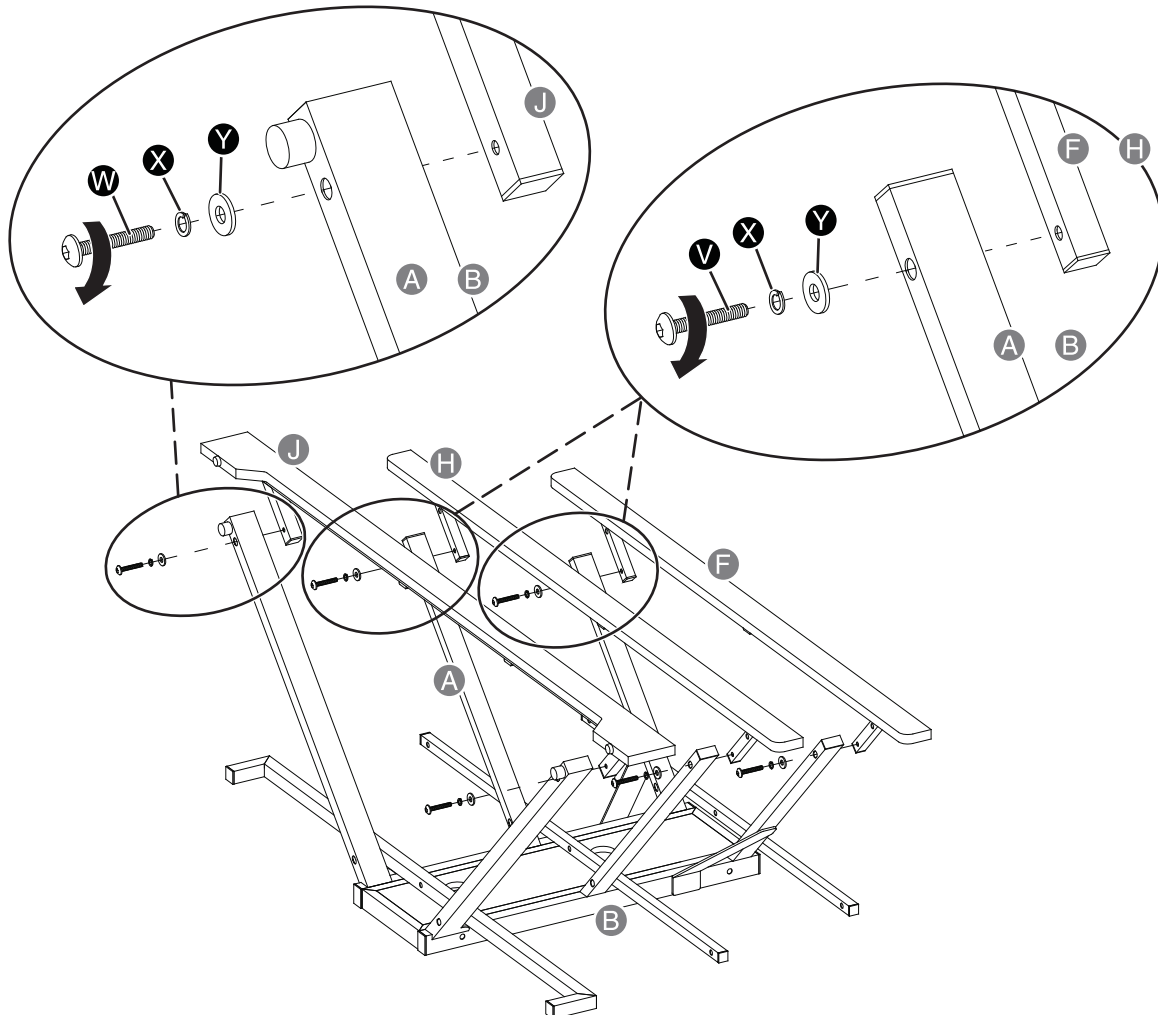
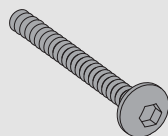


EE (1)

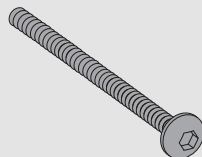


**Step 3: Align and attach the front stringers (F, H, and J) to the front of the side frames (A and B)**

- 1 Insert two 1 5/8" bolts (V) through the lock washers (X) and flat washers (Y) through the drilled holes on the top rail of the side frames (A and B) and securely screw into the threaded holes of the top stringer (F).
- 2 Repeat the same procedure to attach the middle stringer (H) to the middle rail of the side frames (A and B).
- 3 Insert two 2 1/4" bolts (W) through the lock washers (X) and flat washers (Y) through the drilled holes on the bottom rail of the side frames (A and B) and securely screw into the threaded holes of the bottom stringer (J).

**You'll need:**

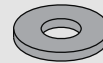
V (4)



W (2)



X (6)



Y (6)

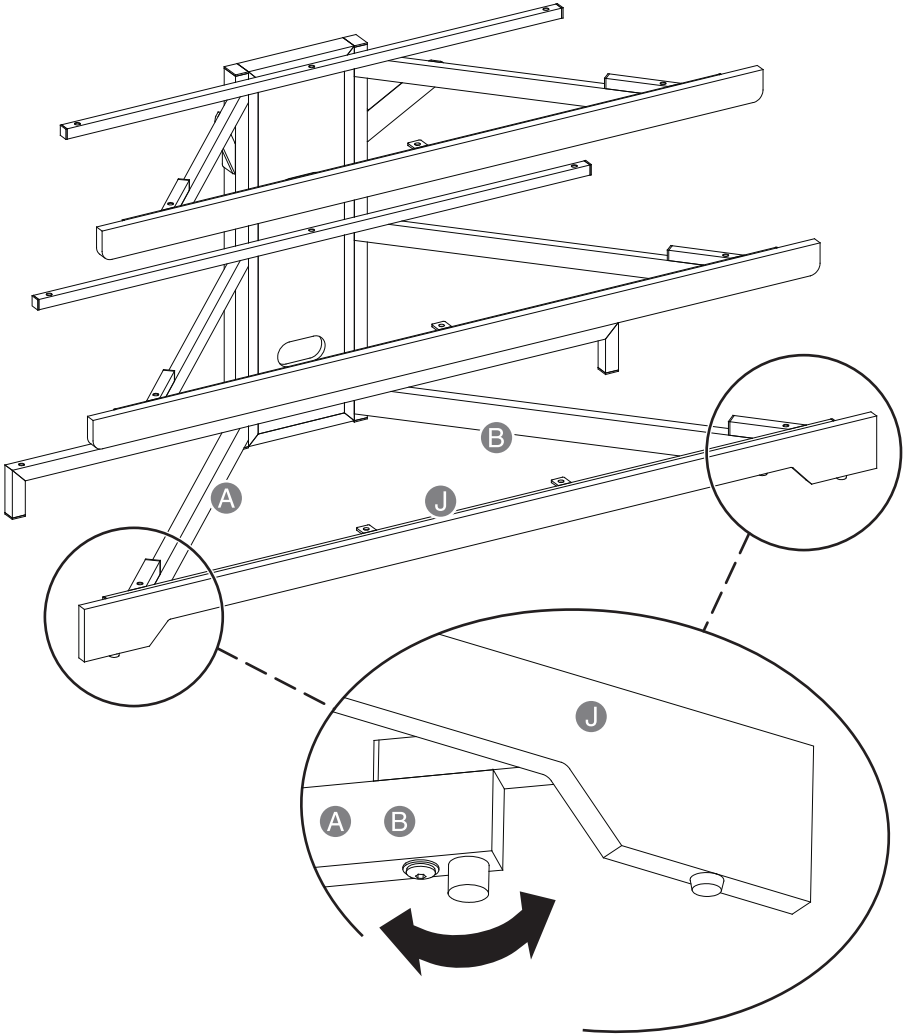


EE (1)

**Step 4: Leveling the stand**

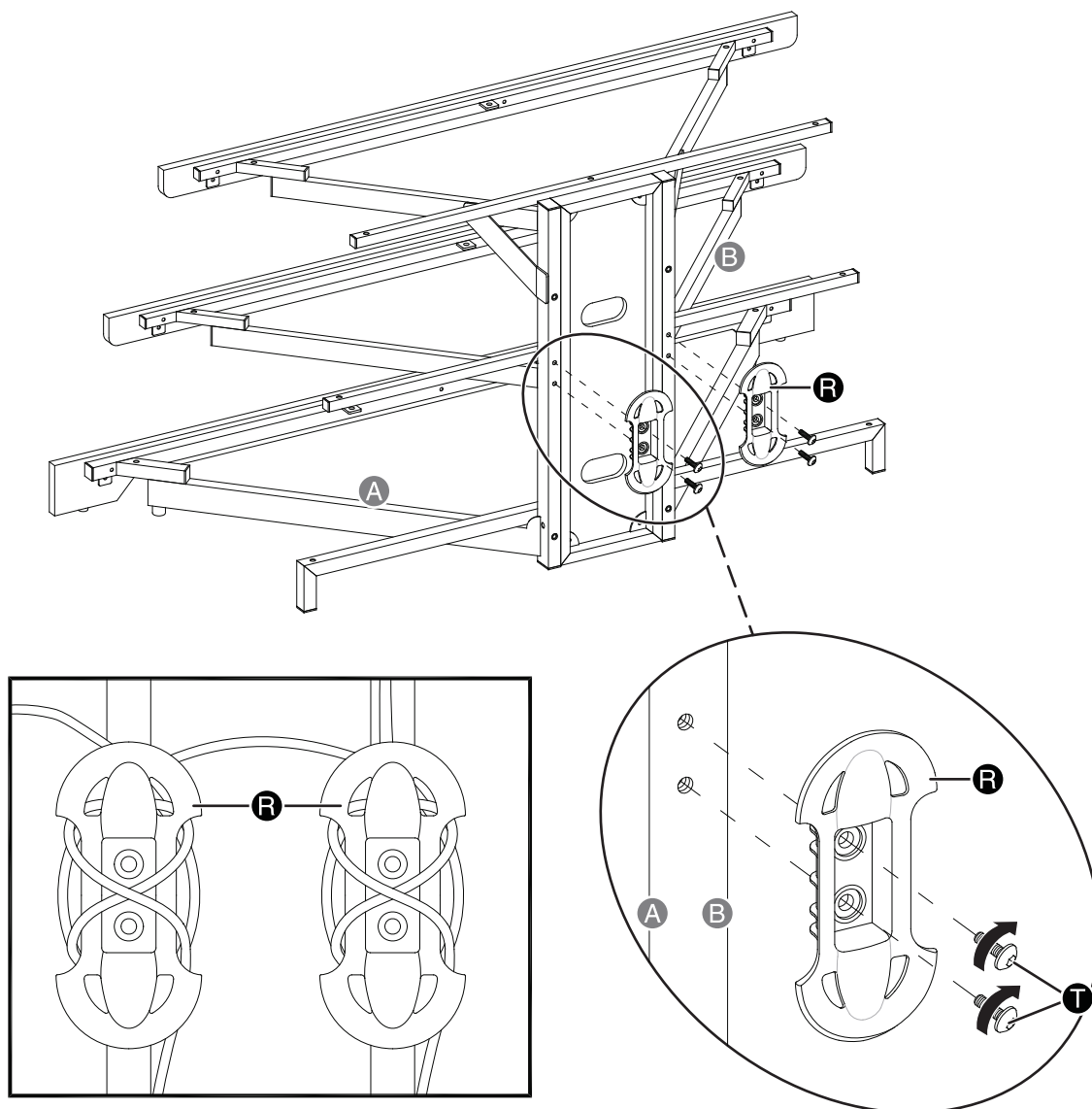
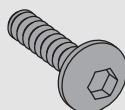
Stand the assembled frame upright. Adjust the levelers on the side frames (A and B) to level the assembly.

**NOTE:** For swivel stand assembly, see "[SWIVEL STAND ASSEMBLY INSTRUCTIONS](#)" on page 22. For Wall Mount or Table Top assembly, continue to the next step.



**Step 5: Attach the cable clips**

- Attach two of the cable clips (**R**) to the back of the side frames (**A** and **B**) with two 3/4" bolts (**T**) per cable clip.

**You'll need:****R (2)****T (4)****EE (1)**

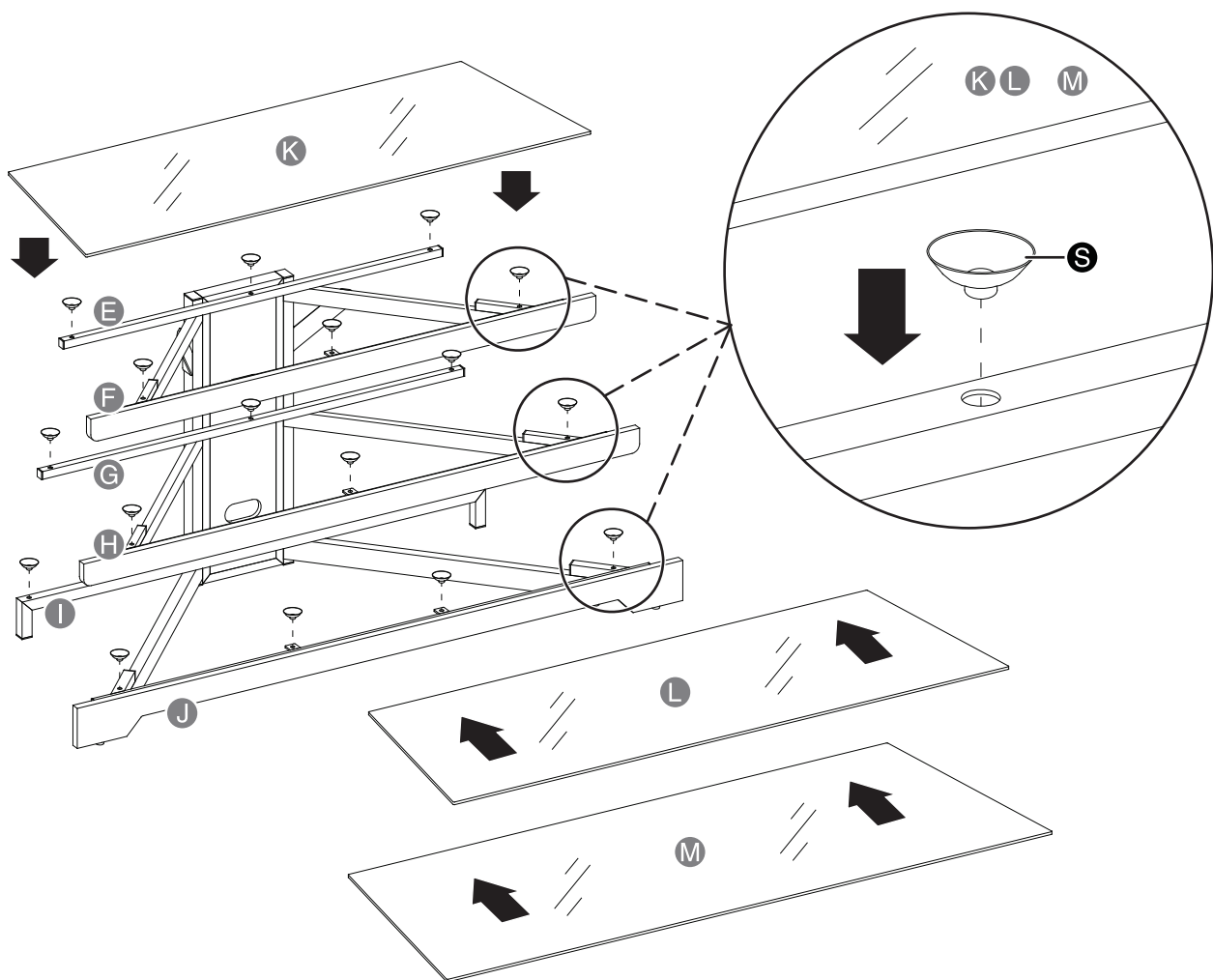
## Step 6: Attach the shelves

- 1 Insert the suction cups (**S**) into the top holes and the metal tabs of the crossbars and stringers, the bottom stringer (**J**) (4 cups). Upper crossbars and stringers (**E, F, G** and **H**) and bottom brace (**I**) (3 cups each).

**TIP:** If a suction cup resists insertion, try pressing down on the middle of the cup with the hex wrench while twisting it clockwise into the hole, as if you were screwing it in.

- 2 Place the top glass shelf (**K**) with the black side down onto the suction cups on the top crossbar (**E**) and stringer (**F**).
- 3 Place the middle glass shelf (**L**) with the black side down onto the suction cups on middle crossbar (**G**) and stringer (**H**).
- 4 Place the bottom glass shelf (**M**) with the black side down onto the suction cups on bottom brace (**I**) and stringer (**J**).

**Note:** For Wall Mount assembly, see "[WALL MOUNT ASSEMBLY INSTRUCTIONS](#)" on page 14. For Table Top final assembly, continue to the next step.



### You'll need:

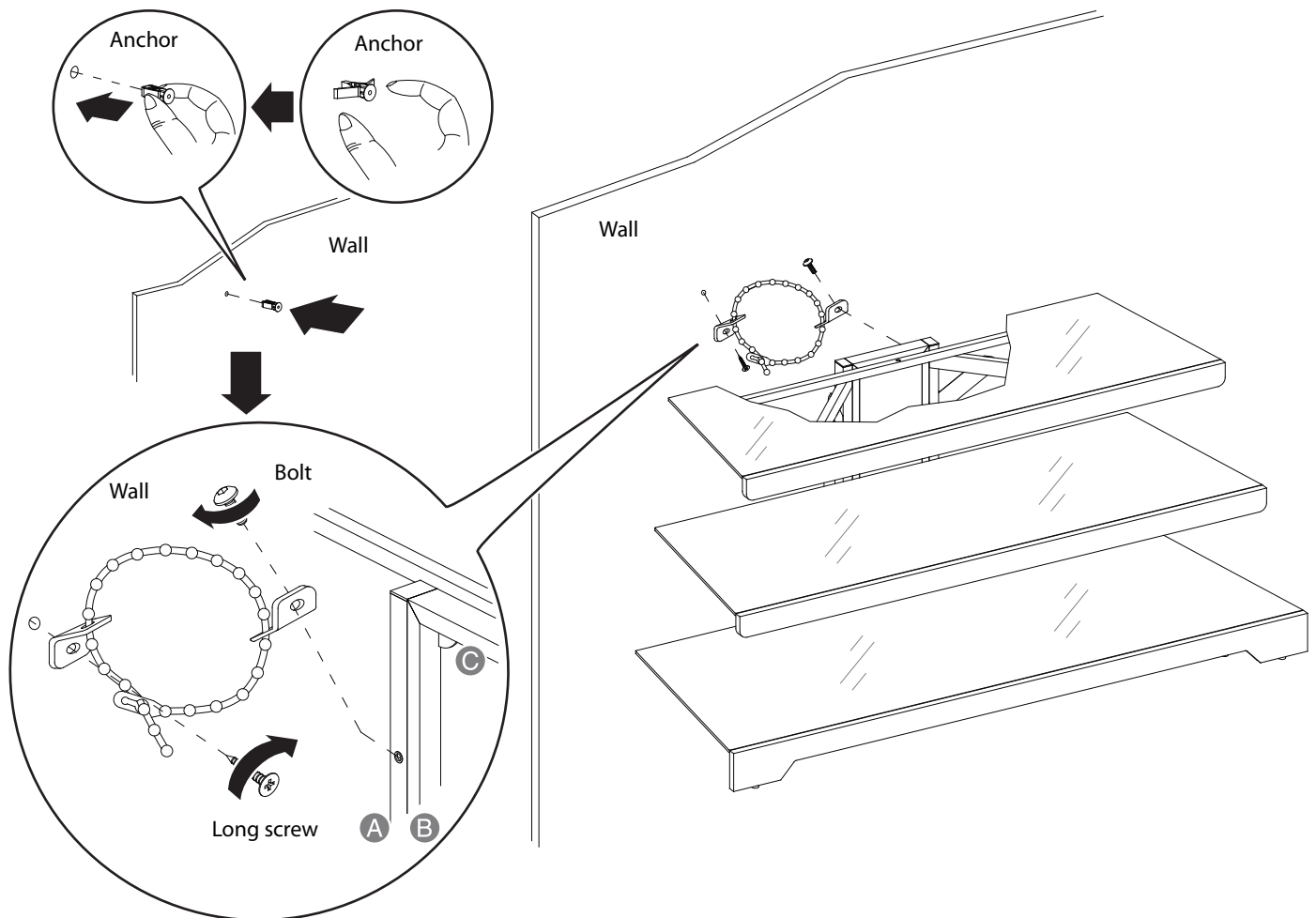


**S** (19)

## FINAL TABLE TOP ASSEMBLY INSTRUCTIONS

### Step 7: Position the TV stand and install the tipping restraint hardware kit

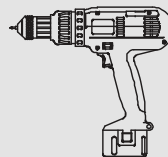
- 1 Position the assembled stand against a wall where you plan to use it.
- 2 Follow the instructions printed on the bag containing the tipping restraint hardware kit (**GG**) to attach the restraint hardware to the wall and the stand.



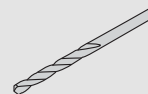
#### You'll need:



**GG** (1)



Power drill



3/8" masonry or  
wood drill bit

## WALL MOUNT ASSEMBLY INSTRUCTIONS

### Step 1: Select the correct bolts, washers, and spacers for your TV.

#### ***M4 hardware assembly:***

- M4 x 12 mm bolts (**HH**) top screw holes
- M4 x 30 mm bolts (**II**) bottom screw holes
- M4 lock washers (**QQ**)
- M4/M5 Flat washers (**WW**)
- Small spacers (**VV**)

#### ***M5 hardware assembly:***

- M5 x 12 mm bolts (**JJ**) top screw holes
- M5 x 30 mm bolts (**KK**) bottom screw holes
- M5 lock washers (**RR**)
- M4/M5 flat washers (**WW**)
- Small spacers (**VV**)

#### ***M6 hardware assembly:***

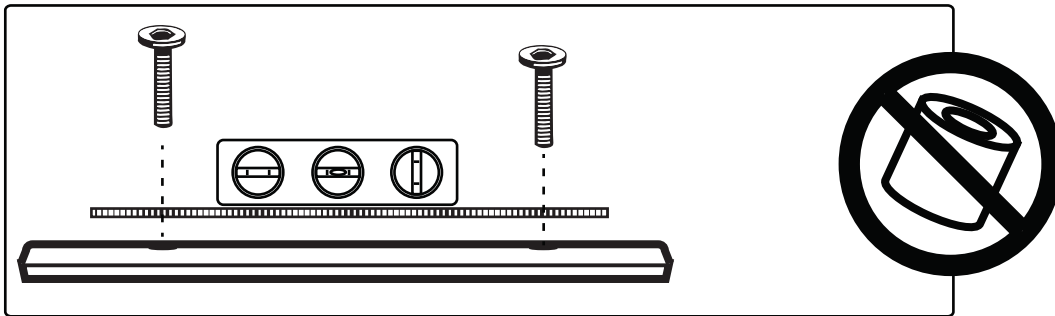
- M6 x 12 mm bolts (**LL**) top screw holes
- M6 x 35 mm bolts (**MM**) bottom screw holes
- M6 lock washers (**SS**)
- M6/M8 flat washers (**XX**)
- Large spacers (**UU**)

#### ***M8 hardware assembly:***

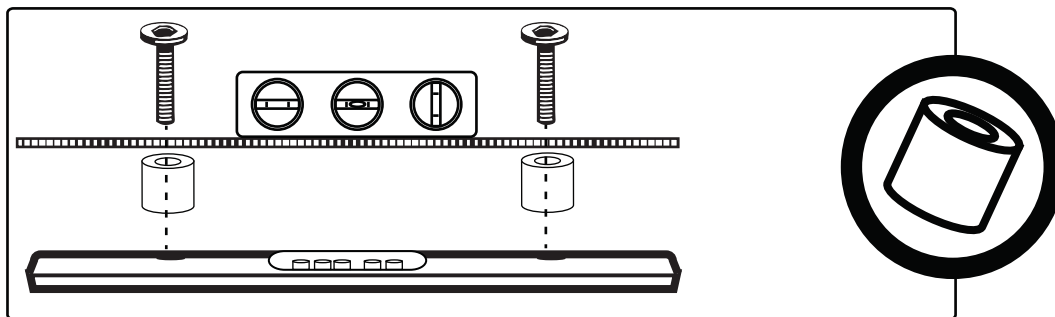
- M8 x 16 mm bolts (**NN**) top screw holes
- M8 x 40 bolts (**PP**) bottom screw holes
- M8 lock washers (**TT**)
- M6/M8 flat washers (**XX**)
- Large spacers (**UU**)

## Step 2: Determine whether your TV has a flat back or an irregular or obstructed back

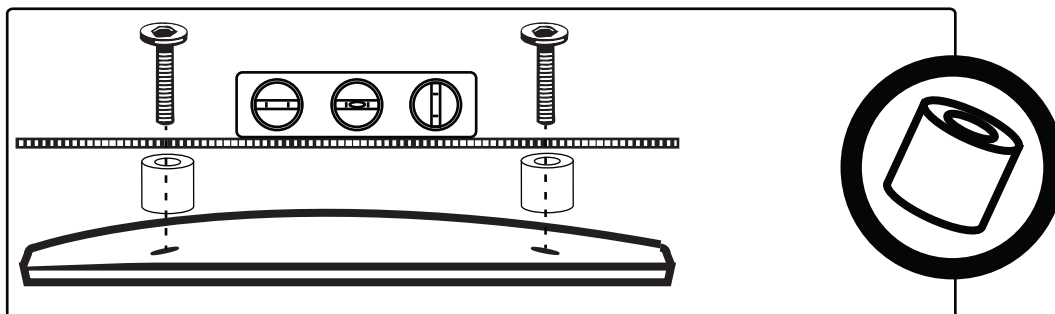
- 1 Carefully place your TV screen face-down on a cushioned, clean surface to protect the screen from damages and scratches.
- 2 If your TV has a table-top stand attached, remove the stand. See the documentation that came with your TV for instructions.
- 3 Temporarily lay the TV brackets (**Q**) on the back of your TV.
- 4 Align the screw holes in the TV brackets with the mounting screw holes on your TV.
- 5 Identify which type of back your TV may have:
  - **Flat back:** The brackets lay flush against the back of your TV and do not block any jacks. You do not need spacers when assembling the wall mount.



- **Obstructed back:** The brackets block any of the jacks on the back of your TV. You will need spacers when assembling the wall mount.



- **Irregularly-shaped back:** There is a gap between the bracket and some part of the back of your TV. You will need spacers when assembling the wall mount.

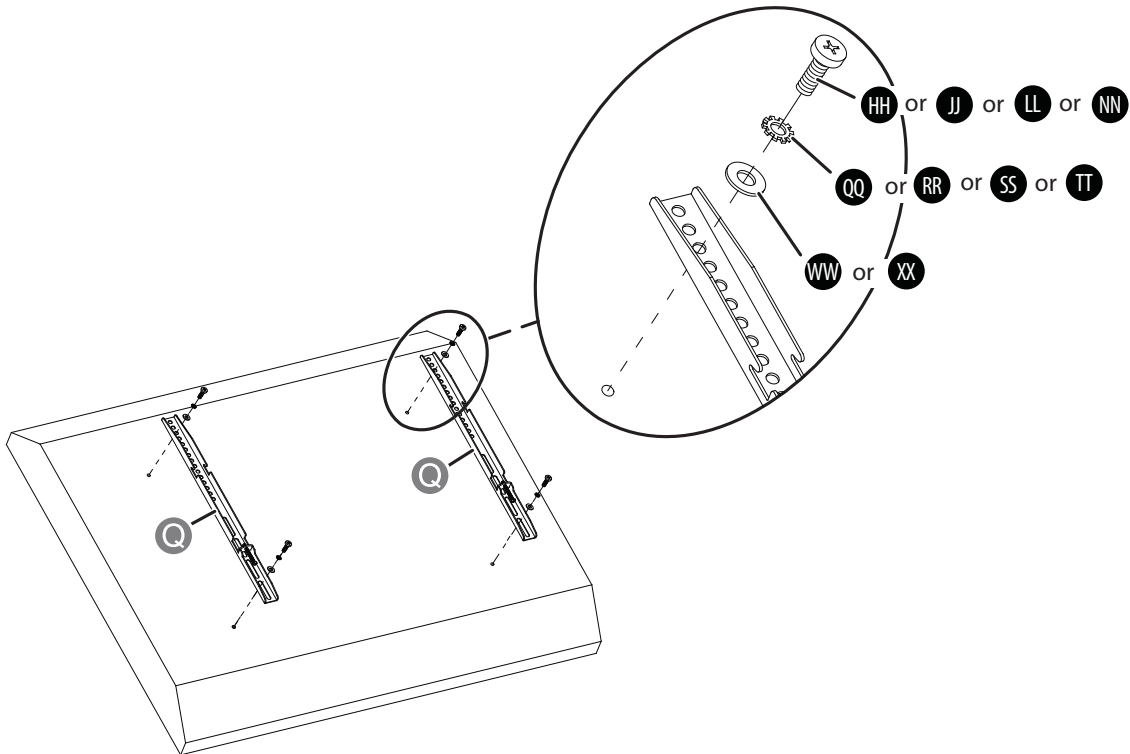


- 6 Remove the brackets.

**Step 3: Option 1 - Mounting bracket instructions for a TV with a flat back**

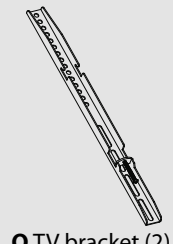
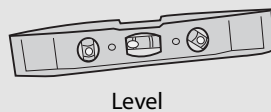
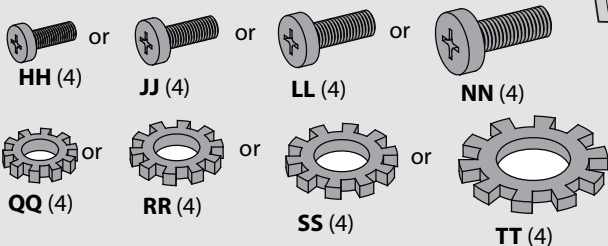
**To mount the TV brackets:**

- 1 Align the TV brackets (**Q**) with the mounting screw holes on the back of the TV. Make sure the hooks face the bottom of the TV. Make sure that the brackets are level.
- 2 Place the flat washers (**WW** or **XX**) then the lock washers (**QQ**, **RR**, **SS**, or **TT**) over the holes in the TV brackets (**Q**) that align with the screw holes on the back of your TV, then insert the bolt (**HH**, **JJ**, **LL**, or **NN**) through the washers.
- 3 Tighten the screws until they are snug against the TV bracket. Do not over tighten.



**You'll need:**

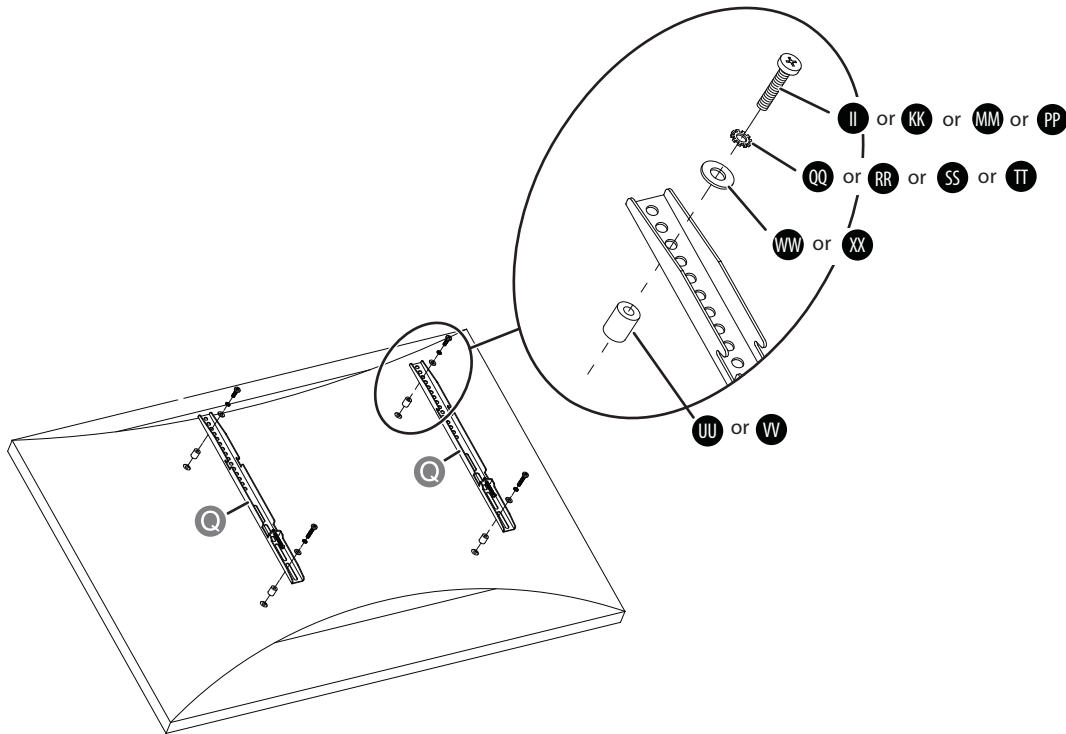
**Bolts & Washers**





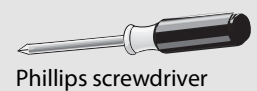
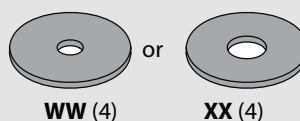
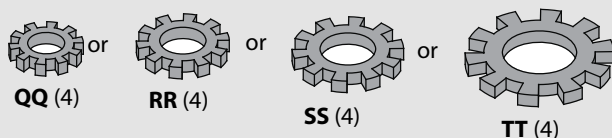
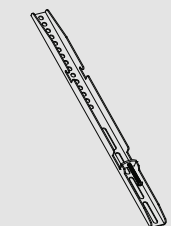
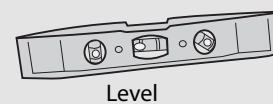
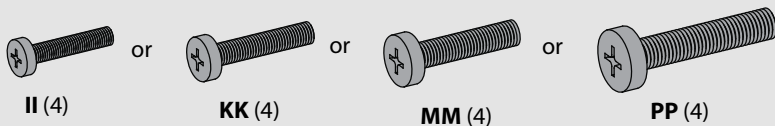
### Step 3: Option 2 - Mounting bracket instructions for a TV with an irregularly shaped or obstructed back

- 1 Align the TV brackets (**Q**) with the mounting screw holes on the back of the TV. Make sure the hooks face the bottom of the TV. Make sure that the brackets are level.
- 2 Place spacers (**UU** or **VV**) behind the TV brackets and flat washers (**WW** or **XX**) and lock washers (**QQ**, **RR**, **SS**, or **TT**) over the holes in the TV brackets (**Q**), then insert the bolt (**II**, **KK**, **MM**, or **PP**) through the washers.
- 3 Tighten the screws until they are snug against the TV bracket. Do not over tighten.



#### You'll need:

##### Bolts & Washers

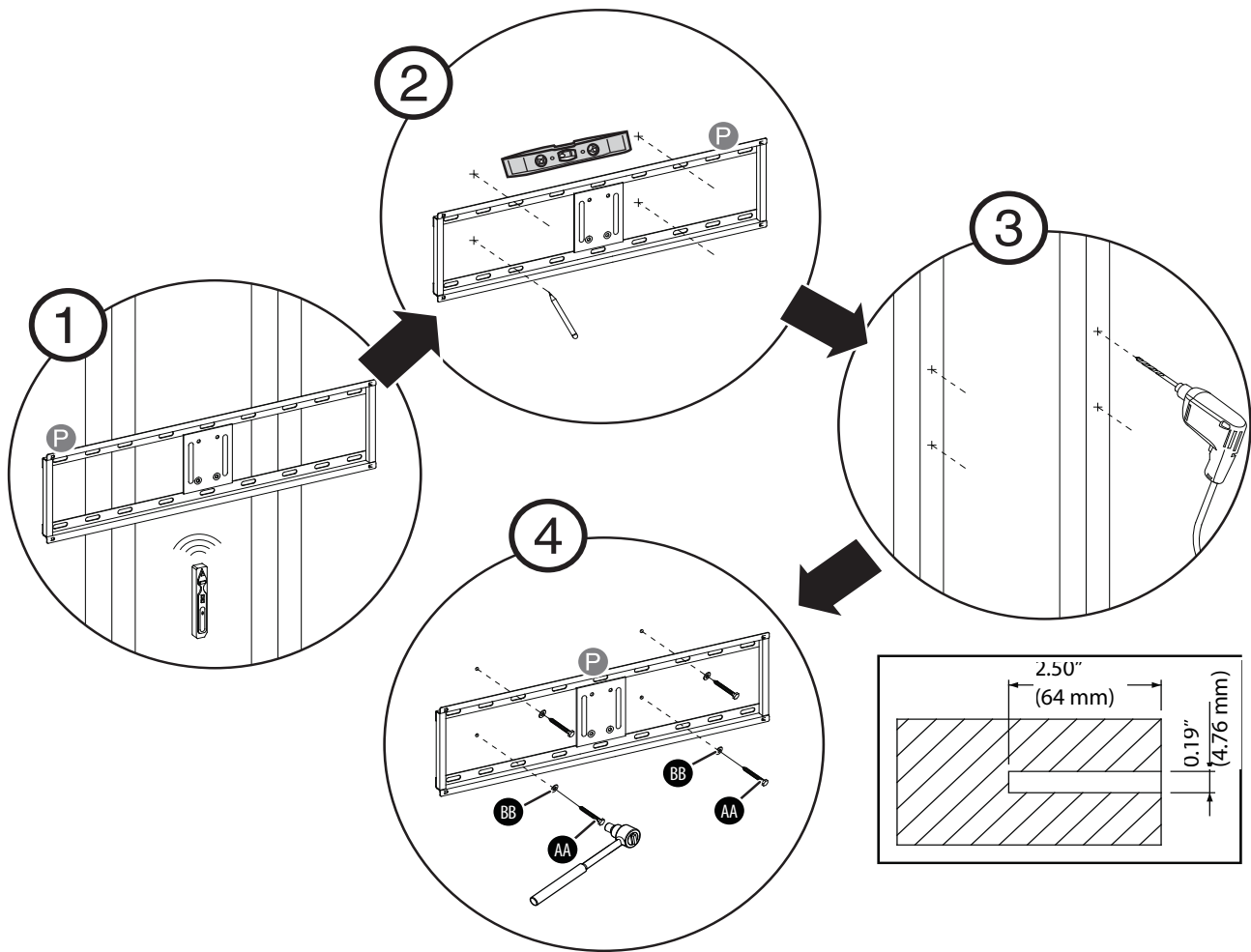


**Step 4: Option 1 - Mount the frame to a stud wall**

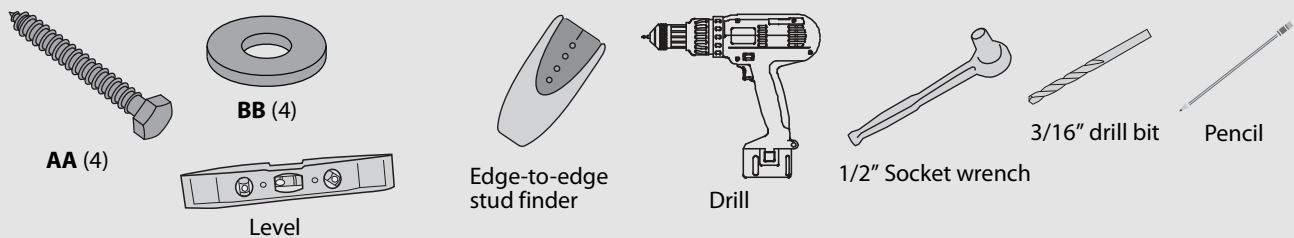
**NOTE:** See Step 4: Option 2 for instructions on mounting the frame to a concrete wall.

- 1 Use a stud sensor to locate two adjacent wall studs, then position the mounting frame (P) exactly between the two studs.
- 2 Use a level to make sure that the mounting frame is level, then mark the four mounting holes. Remove the mounting frame.
- 3 Drill four 3/16" (4.76 mm) holes 2.5" (64 mm) deep.
- 4 Align the mounting frame (P) with the pilot holes, then secure it to the wall with four lag bolts (AA) and four washers (BB).

**CAUTION:** Make sure that the lag bolts are tight and secure, but do not overtighten them.



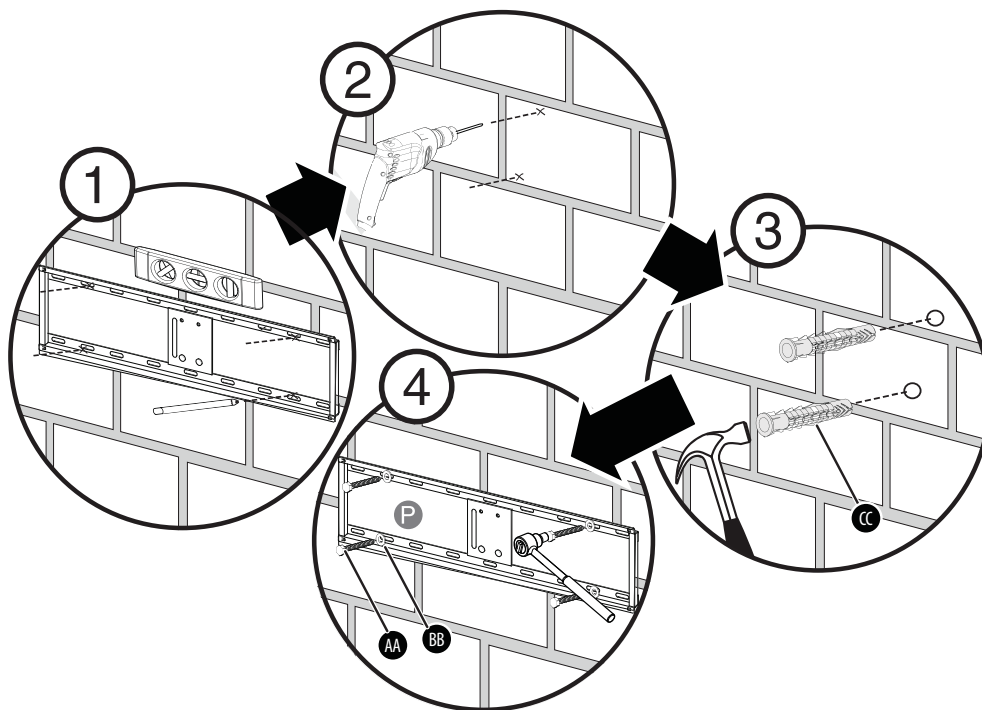
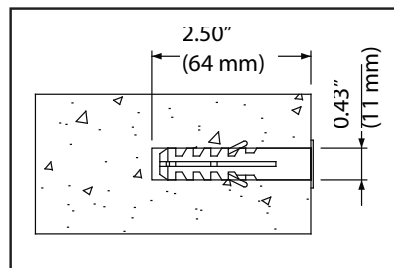
**You'll need:**



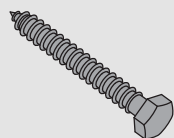
### Step 4: Option 2 - Mount the frame to a block or concrete wall

- 1 Place the mounting frame (**P**) against the wall where you intend to mount the TV. Use a level to make sure the mounting frame (**P**) is level, then mark the four mounting holes on the wall. Never locate the mounting holes into the mortar between blocks. Remove the mounting frame.
- 2 Drill four 7/16" (11 mm) holes through the screw marks to a depth of 2.5" (64 mm).
- 3 Insert a concrete anchor (**CC**) into each of the screw holes using a hammer.
- 4 Align the mounting frame over the concrete anchors.
- 5 Place a washer (**BB**) over one of the mounting frame screw holes, then insert a lag bolt (**AA**) and tighten.
- 6 Repeat the previous step for the other three screw holes.

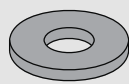
**CAUTION:** Make sure that the lag bolts are tight and secure, but do not overtighten them.



#### You'll need:



AA (4)



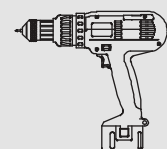
BB (4)



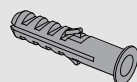
Hammer



1/2" Socket wrench

7/16" masonry  
drill bit

Drill



CC (4)



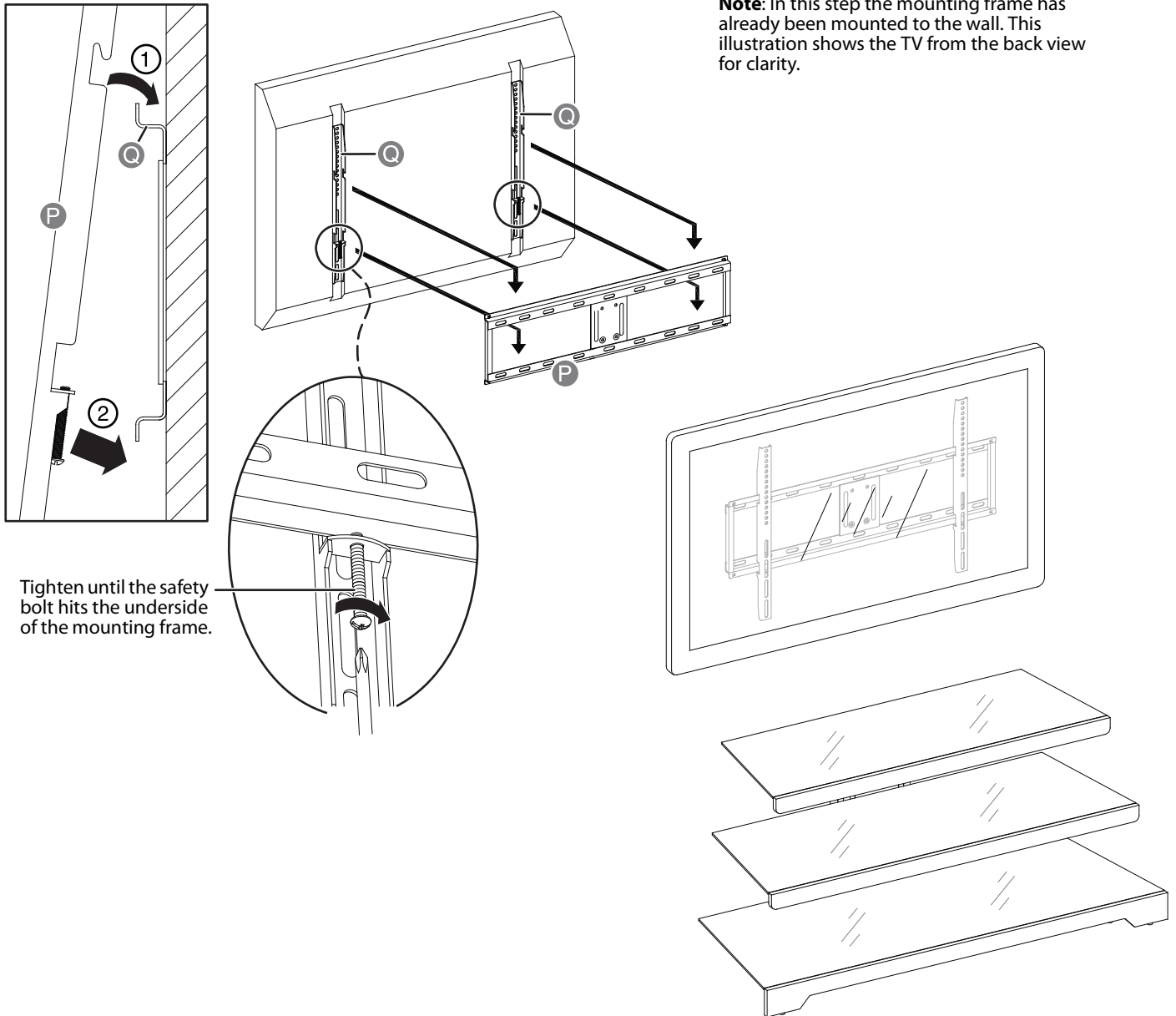
Level



Pencil

### Step 5: Attaching the TV to the mounting frame on the wall

- 1 Lift the TV up to the mounting frame (P).
- 2 Set the hooks on TV brackets (Q) over the mounting frame, then lower the hooks onto the bars on mounting frame.
- 3 Center the TV, then secure it in place using a screwdriver to tighten the safety bolt on the bottom hooks.
- 4 Place the stand with the glass shelves under the TV.



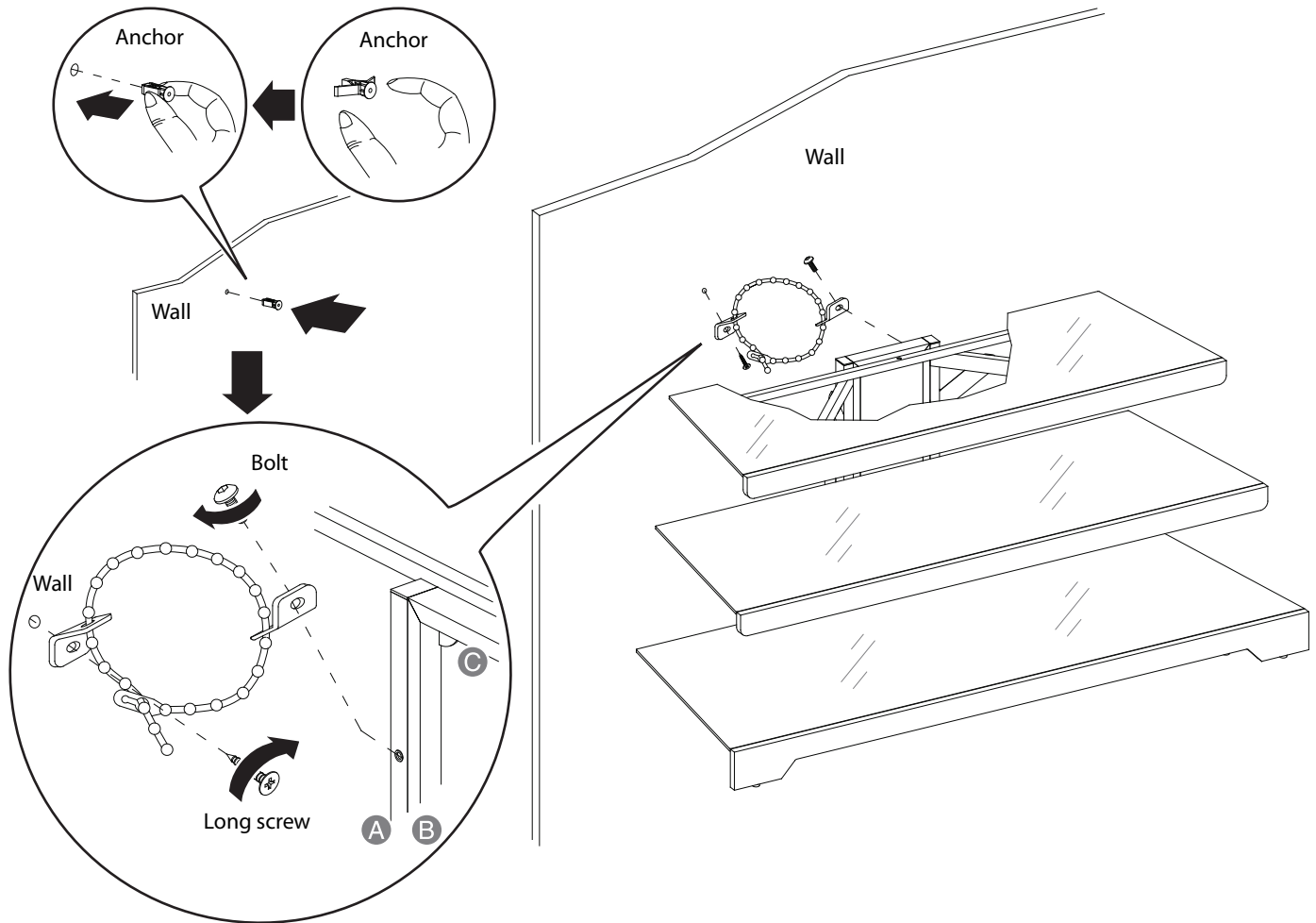
#### You'll need:



Phillips screwdriver

**Step 6: Position the TV stand and install the tipping restraint hardware kit**

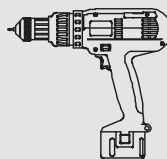
- 1 Position the assembled stand against a wall where you plan to use it.
- 2 Follow the instructions printed on the bag containing the tipping restraint hardware kit (**GG**) to attach the restraint hardware to the wall and the stand.



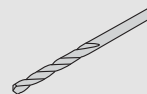
**You'll need:**



**GG** (1)



Power drill

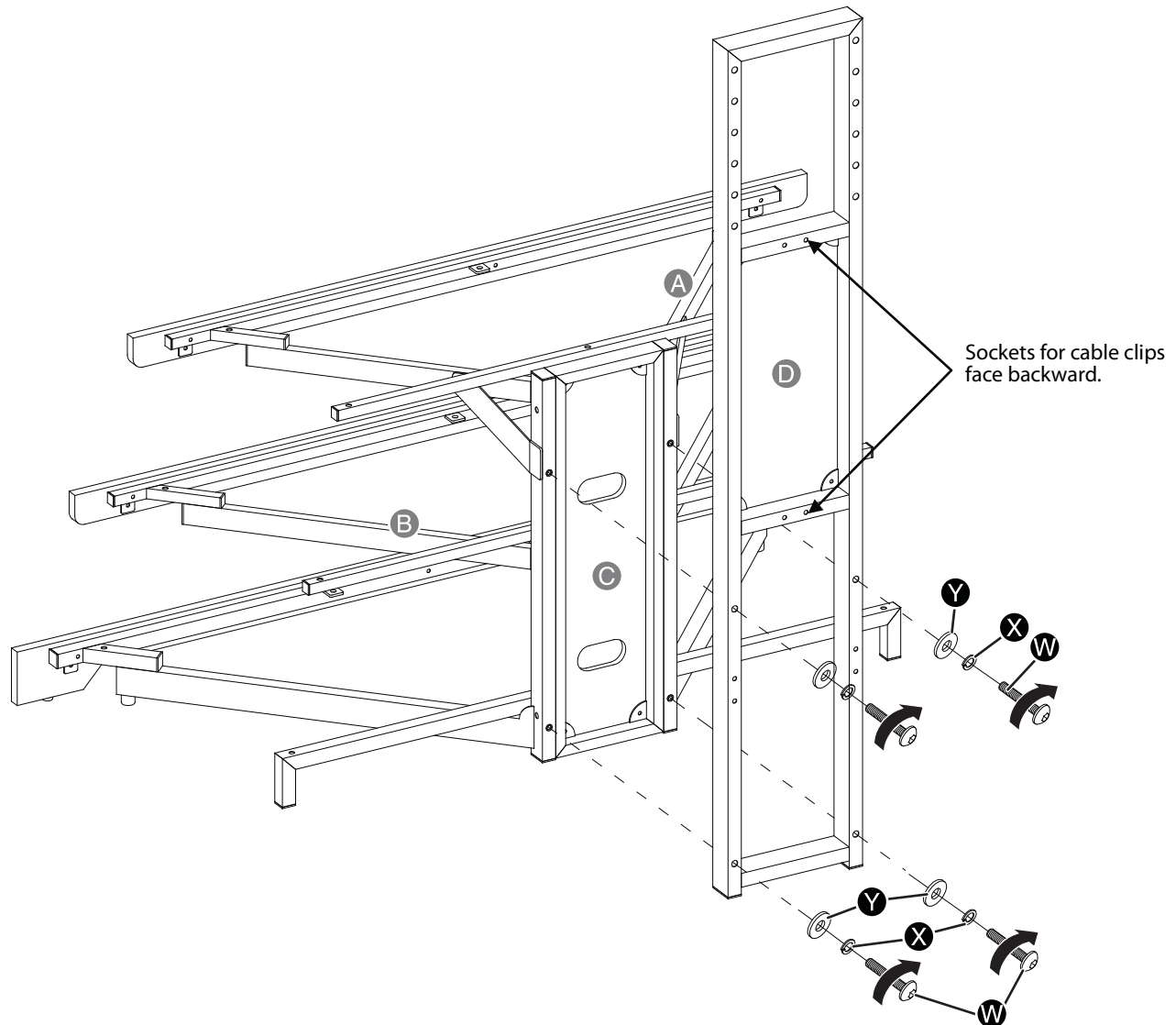


3/8" masonry or wood drill bit

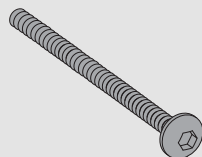
## SWIVEL STAND ASSEMBLY INSTRUCTIONS

### Step 1: Align and attach the long rear support

- 1 Insert four 2¼" bolts (**W**) through the lock washers (**X**) and the flat washers (**Y**) through the drilled holes on the long rear support (**D**).
- 2 Securely screw into the threaded holes of the side frames (**A** and **B**). Make sure that the sockets for the cable clips face backward.



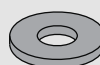
#### You'll need:



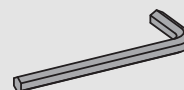
**W** (4)



**X** (4)



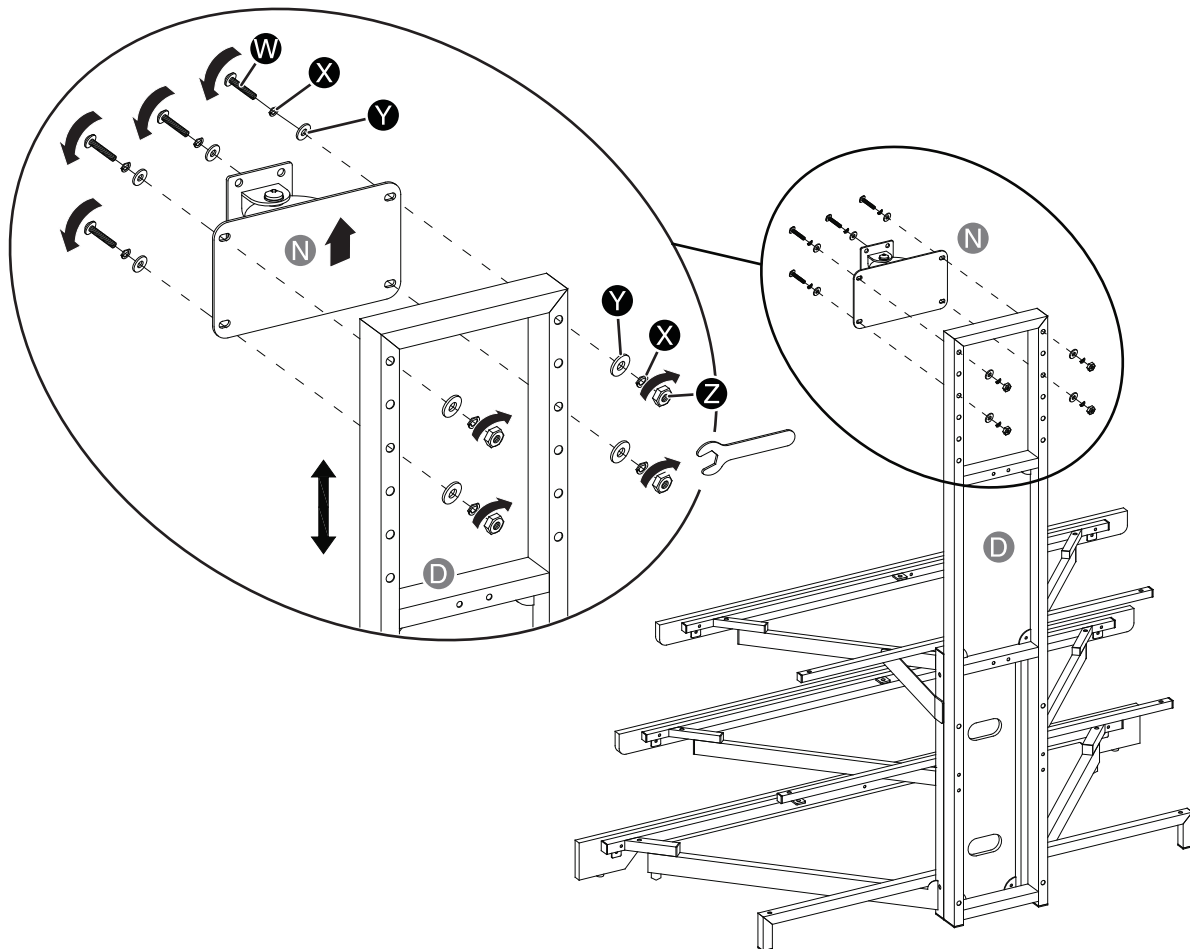
**Y** (4)



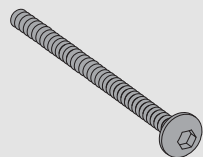
**EE** (1)

## Step 2: Attach the swivel bracket

- 1 Align the swivel bracket (**N**) at the height you would like the center of your TV to be.
- 2 Insert a 2¼" bolt (**W**) through a lock washer (**X**) and a flat washer (**Y**) and then through the swiveling bracket (**N**) and the drilled hole on the long rear support (**D**).
- 3 Place a second flat washer (**Y**), and a lock washer (**X**) onto the end of the threaded bolt, then secure with a hex nut (**Z**).
- 4 Repeat this procedure for the three remaining holes joining the swiveling bracket (**N**) to the long rear support (**D**).
- 5 Securely tighten with the provided open wrench and Allen wrench.



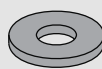
### You'll need:



**W** (4)



**X** (8)



**Y** (8)



**Z** (4)



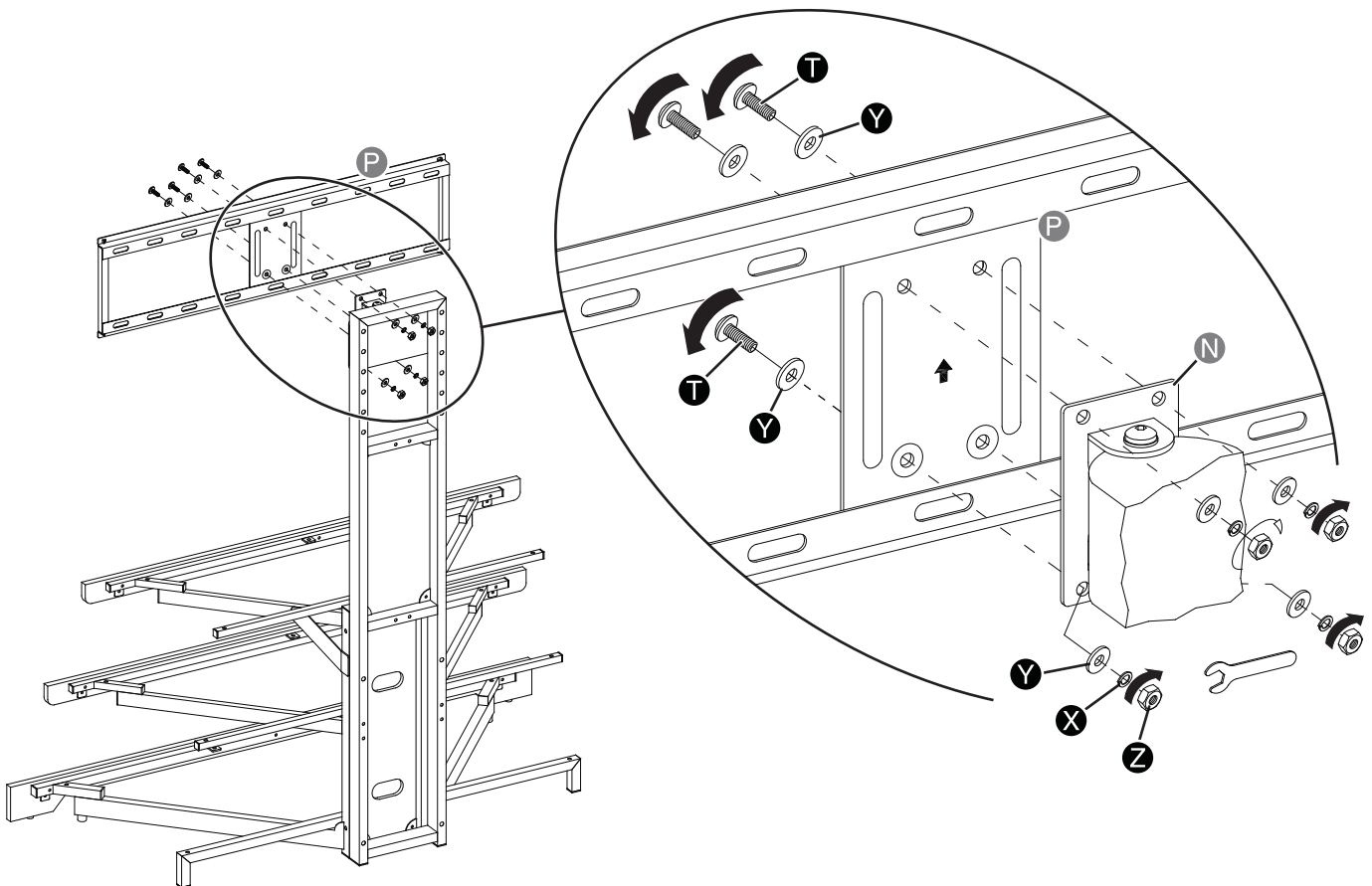
**DD** (1)



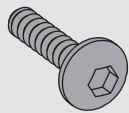
**EE** (1)

### Step 3: Attach the mounting frame to the swivel bracket

- 1 Hold the flat side of the mounting frame (**P**) against the swivel bracket (**N**), aligning the holes. Make sure that the two recessed holes on mounting frame (**P**) are at the bottom.
- 2 Insert a 3/4" bolt (**T**) through a flat washer (**Y**) and then through the hole connecting mounting frame (**P**) with swiveling bracket (**N**).
- 3 Repeat this for the three remaining holes joining the swiveling bracket (**N**) to the mounting frame (**P**).
- 4 Place a second flat washer (**Y**), and a lock washer (**X**) onto the end of the threaded bolt, then secure with a hex nut (**Z**).
- 5 Securely tighten with the provided open wrench and Allen wrench.



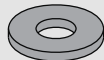
#### You'll need:



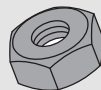
T (4)



X (4)



Y (8)



Z (4)



DD (1)

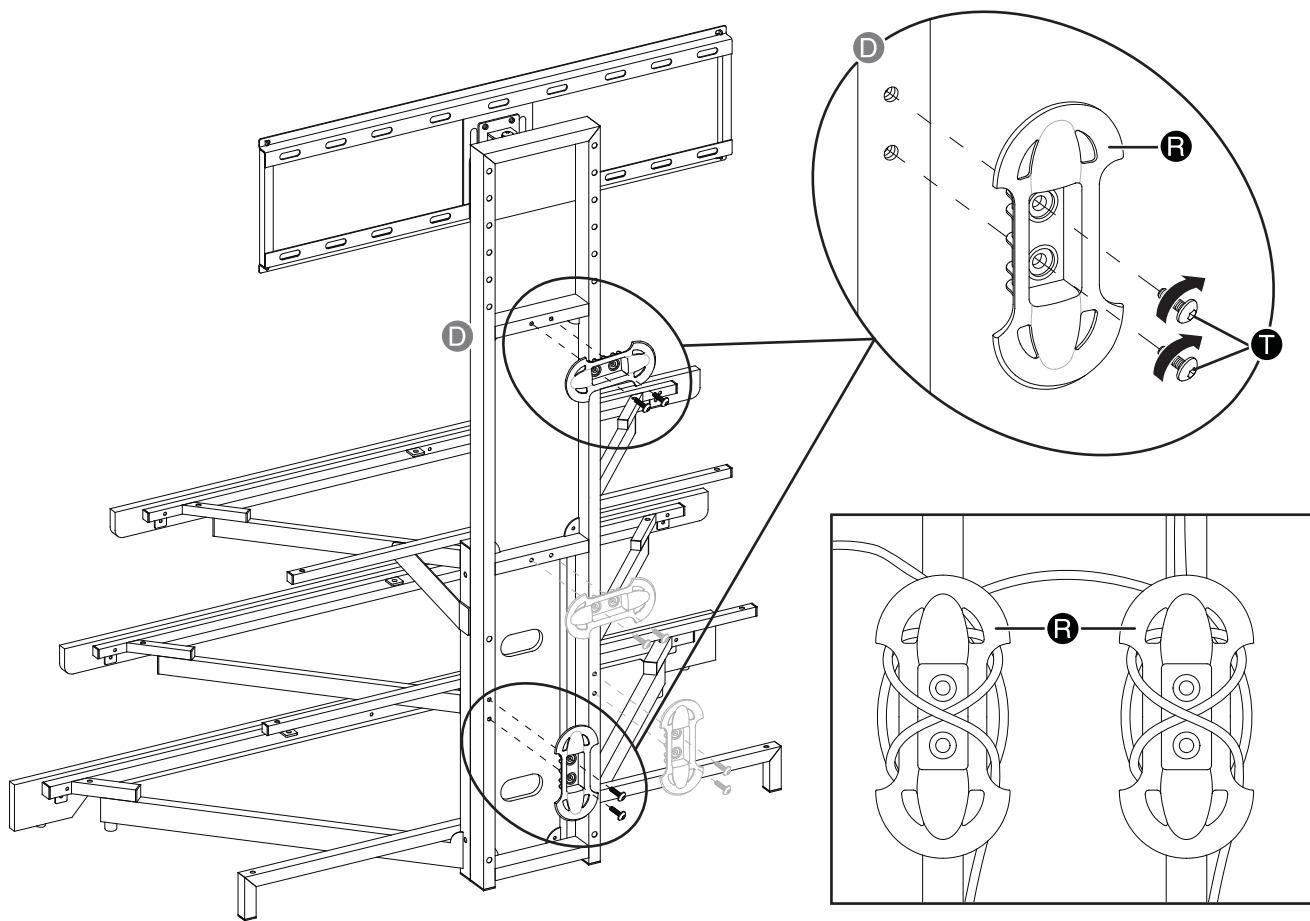
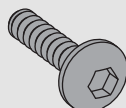


EE (1)



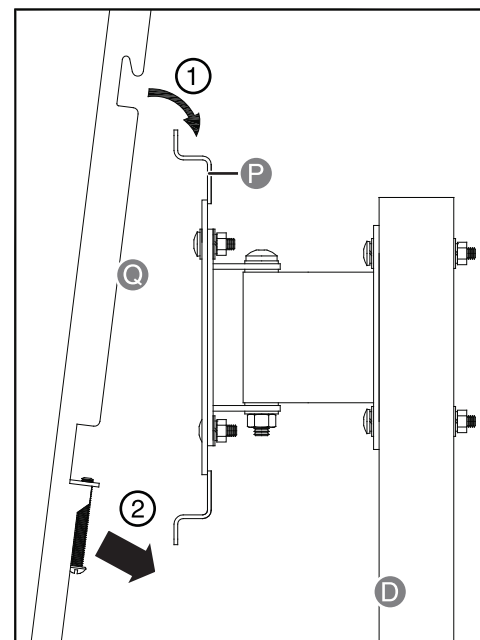
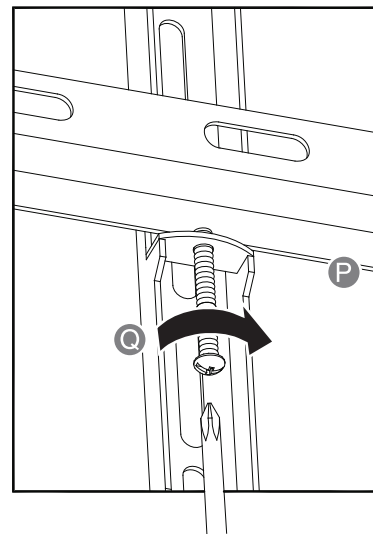
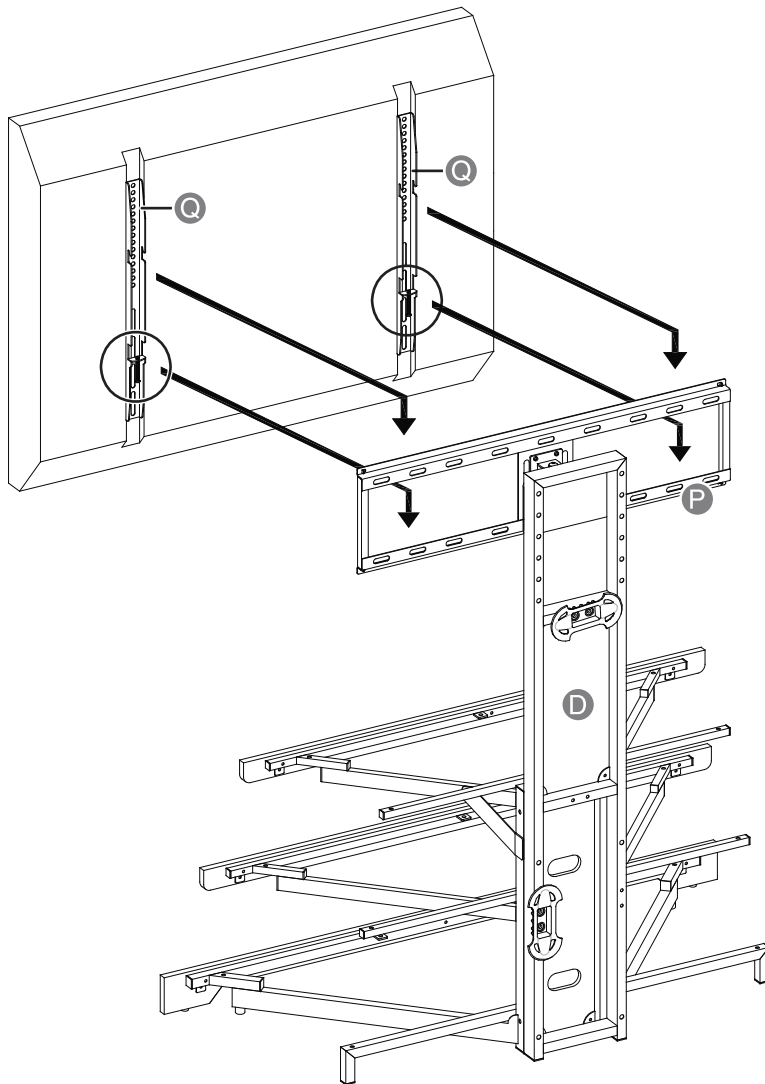
**Step 4: Attach the cable clips**

- Attach the cable clips (**R**) to the back of the long rear support (**D**) in two of four locations with two 3/4" bolts (**T**) per cable clip.

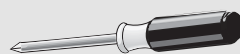
**You'll need:****R (2)****T (4)****EE (1)**

### Step 5: Attaching the TV to the mounting frame on the swivel bracket

- 1 Attach the TV brackets (**Q**) to the back of the television following the steps on pages [15](#), [16](#), and [17](#), depending on the type of TV that you own.
- 2 Lift the TV up to the mounting frame (**P**).
- 3 Set the hooks on TV brackets (**Q**) over the mounting frame (**P**), then lower the hooks onto the bars of the mounting frame.
- 4 Center the TV, then secure it in place using a screwdriver to tighten the safety bolt on the bottom hooks. Tighten until the safety bolt hits the underside of the mounting frame.



#### You'll need:



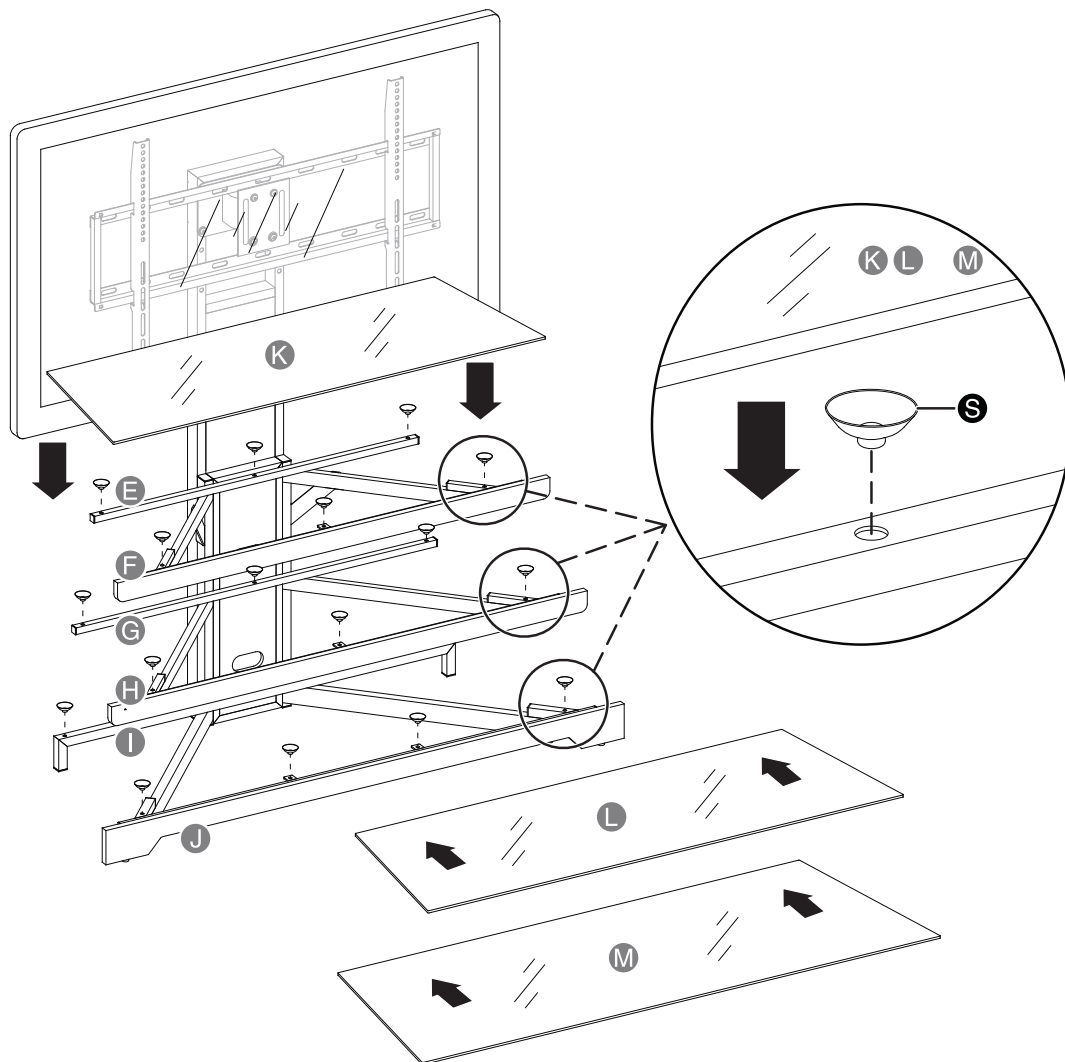
Phillips screwdriver

## Step 6: Attach the shelves

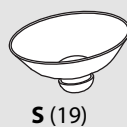
- 1 Insert the suction cups (**S**) into the top holes and the metal tabs of the crossbars and stringers, the bottom stringer (**J**) (4 cups). Upper crossbars and stringers (**E, F, G** and **H**) and bottom brace (**I**) (3 cups each).

**TIP:** If a suction cup resists insertion, try pressing down on the middle of the cup with the hex wrench while twisting it clockwise into the hole, as if you were screwing it in.

- 2 Place the top glass shelf (**K**) with the black side down onto the suction cups on the top crossbar (**E**) and stringer (**F**).
- 3 Place the middle glass shelf (**L**) with the black side down onto the suction cups on middle crossbar (**G**) and stringer (**H**).
- 4 Place the bottom glass shelf (**M**) with the black side down onto the suction cups on bottom brace (**I**) and stringer (**J**).

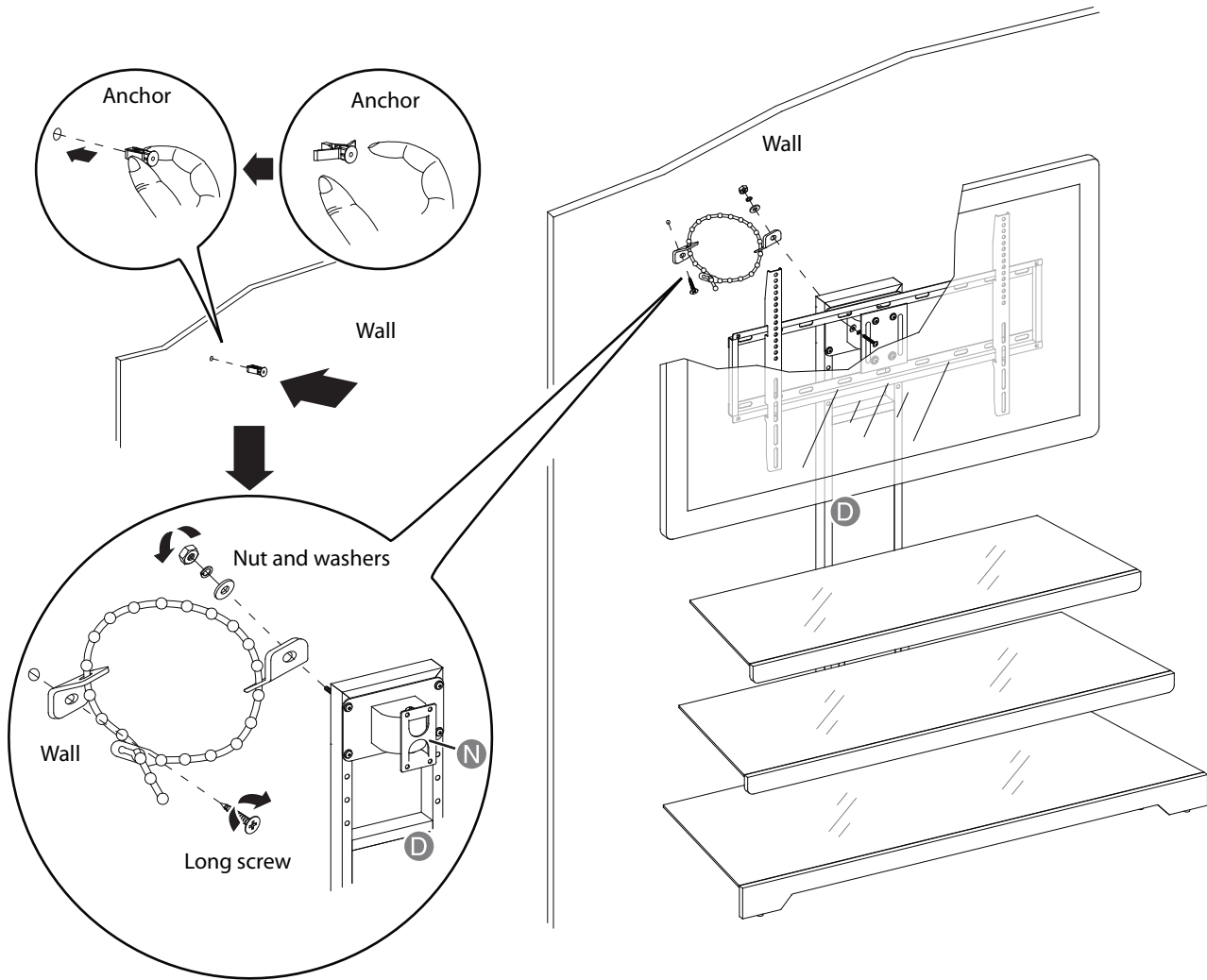


### You'll need:



**Step 7: Position the TV stand and install the tipping restraint hardware kit**

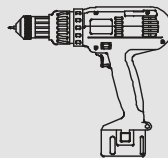
- 1 Position the assembled stand against a wall where you plan to use it.
- 2 Follow the instructions printed on the bag containing the tipping restraint hardware kit (**GG**) to attach the restraint hardware to the wall and the stand.



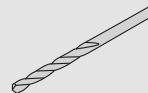
**You'll need:**



**GG** (1)



Power drill



3/8" masonry or wood drill bit

# CARE AND MAINTENANCE

## Wood/Laminate

- Use your favorite type of furniture polish.
- Do not spray polish directly onto the stand. Spray onto a soft cloth then wipe the stand.
- Always test any polish in a discrete location first, such as the back of the stand, to make sure that there is no adverse reaction.
- Dust frequently with a soft cloth.
- Never slide objects across surfaces. Lift objects from the top surface rather than dragging them across the finish when moving them.
- Do not expose your stand to direct sunlight, drying heat sources, or dampness.

## Glass

- Use a commercial liquid glass cleaner and a soft cloth.
- Do not use harsh powders or any other abrasive substances as they will scratch the glass.
- Clean spills immediately with a soft, damp cloth.
- Protect surfaces by using felt, leather, or cork under accessories.
- Use a protective pad when using your stand as a writing surface (especially when using a ballpoint pen).
- Dust frequently with a soft cloth.

### **WARNING**

Please use your stand correctly and safely. Improper use can cause safety hazards or damage to your furniture or household items. Carefully read the following chart.

Look out for:	What can happen:	How to avoid the problem:
<ul style="list-style-type: none"> <li>• Children climbing on the stand.</li> <li>• A child may try to reach a toy or other object by climbing on the stand.</li> <li>• Children will play and be active near the TV.</li> </ul>	<ul style="list-style-type: none"> <li>• Risk of injury or death.</li> <li>• A child climbing on the stand can make it top-heavy and cause it to tip over.</li> <li>• A child playing with a TV can cause it to tip over.</li> </ul>	<ul style="list-style-type: none"> <li>• Never allow children to climb on or play with the stand.</li> <li>• Do not place toys or food on the top shelves. Children may try to climb to reach them out of curiosity.</li> </ul>
<ul style="list-style-type: none"> <li>• Improper use of the stand to support TVs.</li> <li>• The stand is designed for use with TVs will specify the maximum weight rating and recommended size of the TVs it will safely support.</li> </ul>	<ul style="list-style-type: none"> <li>• Risk of injury or death.</li> <li>• TVs can be very heavy. Note, older CRT TVs tend to be unbalanced and prone to tipping forward.</li> </ul>	<ul style="list-style-type: none"> <li>• A TV must only be set on furniture specifically designed to support a television.</li> <li>• Never use a TV that exceeds the weight ratings or size guidelines specified for the stand.</li> </ul>
<ul style="list-style-type: none"> <li>• Overloaded shelves</li> </ul>	<ul style="list-style-type: none"> <li>• Risk of injury.</li> <li>• Top-heavy furniture can tip over.</li> <li>• Overloaded shelves can break.</li> </ul>	<ul style="list-style-type: none"> <li>• Never exceed the weight limits shown in the instructions.</li> <li>• Work from the bottom to the top when loading shelves.</li> <li>• The bottom shelves can only support 50 lbs. while the top can support 135 lbs.</li> </ul>
<ul style="list-style-type: none"> <li>• Improperly moving the stand.</li> </ul>	<ul style="list-style-type: none"> <li>• The stand can tip over or break if improperly moved.</li> <li>• Risk of injury.</li> </ul>	<ul style="list-style-type: none"> <li>• Unload shelves from the top to the bottom before moving the stand.</li> <li>• Do not push the stand, especially on a carpeted floor. Have a friend help you lift the item and set it in place.</li> <li>• Do not lift the stand using the top shelf. Lift from the frame or leg assembly.</li> <li>• Remove the TV before moving the TV stand.</li> </ul>

# ONE-YEAR LIMITED WARRANTY - INSIGNIA

## Definitions:

The Distributor\* of Insignia branded products warrants to you, the original purchaser of this new Insignia-branded product ("Product"), that the Product shall be free of defects in the original manufacturer of the material or workmanship for a period of one (1) year from the date of your purchase of the Product ("Warranty Period").

For this warranty to apply, your Product must be purchased in the United States or Canada from a Best Buy branded or Future Shop branded retail store or online at [www.bestbuy.com](http://www.bestbuy.com), [www.bestbuy.ca](http://www.bestbuy.ca), or [www.futureshop.ca](http://www.futureshop.ca) and is packaged with this warranty statement.

## How long does the coverage last?

The Warranty Period lasts for 1 year (365 days) from the date you purchased the Product. Your purchase date is printed on the receipt you received with the Product.

## What does this warranty cover?

During the Warranty Period, if the original manufacture of the material or workmanship of the Product is determined to be defective by an authorized Insignia repair center or store personnel, Insignia will (at its sole option): (1) repair the Product with new or rebuilt parts; or (2) replace the Product at no charge with new or rebuilt comparable products or parts. Products and parts replaced under this warranty become the property of Insignia and are not returned to you. If service of Products or parts are required after the Warranty Period expires, you must pay all labor and parts charges. This warranty lasts as long as you own your Insignia Product during the Warranty Period. Warranty coverage terminates if you sell or otherwise transfer the Product.

## How to obtain warranty service?

If you purchased the Product at a Best Buy or Future Shop retail store location, please take your original receipt and the Product to any Best Buy or Future Shop store. Make sure that you place the Product in its original packaging or packaging that provides the same amount of protection as the original packaging. If you purchased the Product from a Best Buy or Future Shop online web site ([www.bestbuy.com](http://www.bestbuy.com), [www.bestbuy.ca](http://www.bestbuy.ca), or [www.futureshop.ca](http://www.futureshop.ca)), mail your original receipt and the Product to the address listed on the web site. Make sure that you put the Product in its original packaging or packaging that provides the same amount of protection as the original packaging.

To obtain warranty service, in the United States call 1-888-BESTBUY, Canada call 1-866-BESTBUY for Future Shop call 1-800-663-2275. Call agents may diagnose and correct the issue over the phone.

## Where is the warranty valid?

This warranty is valid only in the United States and Canada at Best Buy or Future Shop branded retail stores or websites to the original purchaser of the product in the county where the original purchase was made.

## What does the warranty not cover?

This warranty does not cover:

- Customer instruction/education
- Installation
- Set up adjustments
- Cosmetic damage
- Damage due to weather, lightning, and other acts of God, such as power surges
- Accidental damage
- Misuse
- Abuse
- Negligence
- Commercial purposes/use, including but not limited to use in a place of business or in communal areas of a multiple dwelling condominium or apartment complex, or otherwise used in a place of other than a private home.

- Modification of any part of the Product, including the antenna
- Display panel damaged by static (non-moving) images applied for lengthy periods (burn-in).
- Damage due to incorrect operation or maintenance
- Connection to an incorrect voltage or power supply
- Attempted repair by any person not authorized by Insignia to service the Product
- Products sold "as is" or "with all faults"
- Consumables, including but not limited to batteries (i.e. AA, AAA, C etc.)
- Products where the factory applied serial number has been altered or removed
- Loss or Theft of this product or any part of the product
- Display panels containing up to three (3) pixel failures (dots that are dark or incorrectly illuminated) grouped in an area smaller than one tenth (1/10) of the display size or up to five (5) pixel failures throughout the display. (Pixel based displays may contain a limited number of pixels that may not function normally.)
- Failures or Damage caused by any contact including but not limited to liquids, gels or pastes.

REPAIR REPLACEMENT AS PROVIDED UNDER THIS WARRANTY IS YOUR EXCLUSIVE REMEDY FOR BREACH OF WARRANTY. INSIGNIA SHALL NOT BE LIABLE FOR ANY INCIDENTAL OR CONSEQUENTIAL DAMAGES FOR THE BREACH OF ANY EXPRESS OR IMPLIED WARRANTY ON THIS PRODUCT, INCLUDING, BUT NOT LIMITED TO, LOST DATA, LOSS OF USE OF YOUR PRODUCT, LOST BUSINESS OR LOST PROFITS. INSIGNIA PRODUCTS MAKES NO OTHER EXPRESS WARRANTIES WITH RESPECT TO THE PRODUCT, ALL EXPRESS AND IMPLIED WARRANTIES FOR THE PRODUCT, INCLUDING, BUT NOT LIMITED TO, ANY IMPLIED WARRANTIES OF AND CONDITIONS OF MERCHANTABILITY AND FITNESS FOR A PARTICULAR PURPOSE, ARE LIMITED IN DURATION TO THE WARRANTY PERIOD SET FORTH ABOVE AND NO WARRANTIES, WHETHER EXPRESS OR IMPLIED, WILL APPLY AFTER THE WARRANTY PERIOD. SOME STATES, PROVINCES AND JURISDICTIONS DO NOT ALLOW LIMITATIONS ON HOW LONG AN IMPLIED WARRANTY LASTS, SO THE ABOVE LIMITATION MAY NOT APPLY TO YOU. THIS WARRANTY GIVES YOU SPECIFIC LEGAL RIGHTS, AND YOU MAY ALSO HAVE OTHER RIGHTS, WHICH VARY FROM STATE TO STATE OR PROVINCE TO PROVINCE.

Contact Insignia:

For customer service please call 1-877-467-4289

[www.insigniaproducts.com](http://www.insigniaproducts.com)

INSIGNIA is a trademark of Best Buy and its affiliated companies.

Registered in some countries.

Distributed by Best Buy Purchasing, LLC

7601 Penn Ave South, Richfield, MN 55423 U.S.A.

©2014 Best Buy. All rights reserved.

Made in China

# INSIGNIA™

1-877-467-4289 (U.S. and Canada) or 01-800-926-3000 (Mexico)  
[www.insigniaproducts.com](http://www.insigniaproducts.com)

INSIGNIA is a trademark of Best Buy and its affiliated companies.  
Registered in some countries.  
Distributed by Best Buy Purchasing, LLC  
7601 Penn Ave South, Richfield, MN 55423 U.S.A.  
©2014 Best Buy. All rights reserved.  
Made in China

U.S. Patents 8,079,311 & 8,191,485



Mount WH60FM meets public  
safety requirements as designated  
by the Underwriters Laboratories  
in both US & Canada

V2 ENGLISH  
14-0478