

INSIGNIA™

# Portable DVD Player

NS-P9DVD15



Before using your new product, please read these instructions to prevent any damage.

# NS-P9DVD15

## Portable DVD Player

### Contents

Welcome .....	2
Important safety instructions .....	2
Features .....	3
Setting up your player.....	7
Using your player .....	12
Troubleshooting .....	19
Maintaining.....	19
Specifications.....	20
Legal notices.....	21
ONE-YEAR LIMITED WARRANTY - INSIGNIA .....	23

## Welcome

Congratulations on your purchase of a high-quality Insignia product. Your NS-P9DVD15 represents the state of the art in personal DVD player design and is designed for reliable and trouble-free performance.

## Important safety instructions

- 1** Read these instructions.
- 2** Keep these instructions.
- 3** Heed all warnings.
- 4** Follow all instructions.
- 5** Do not use this apparatus near water.
- 6** Clean only with a dry cloth.
- 7** Do not block any ventilation openings. Install in accordance with the manufacturer's instructions.
- 8** Do not use near any heat sources such as radiators, heat registers, stoves, or other apparatus (including amplifiers) that produce heat.
- 9** Protect the power cord from being walked on or pinched particularly at plugs, convenience receptacles, and the point where they exit from the apparatus.
- 10** Only use attachments/accessories specified by the manufacturer.
- 11** Unplug this apparatus during lightning storms or when unused for long periods of time.

- 12 Refer all servicing to qualified service personnel. Servicing is required when the apparatus has been damaged in any way, such as power-supply cord or plug is damaged, liquid has been spilled or objects have fallen into the apparatus, the apparatus has been exposed to rain or moisture, does not operate normally, or has been dropped.
- 13 To reduce the risk of fire or electric shock, do not expose this device to rain, moisture, dripping, or splashing, and no objects filled with liquids, such as vases, shall be placed on it.
- 14 The wall plug is the disconnecting device. The plug must remain readily operable.
- 15 Batteries should not be exposed to excessive heat such as sunshine, fire, or the like.


**Caution**

Danger of explosion if battery is incorrectly replaced. Replace only with the same or equivalent type.

This unit contains a low-power laser device.

This Class B digital apparatus complies with Canadian ICES-003.

**Discs**

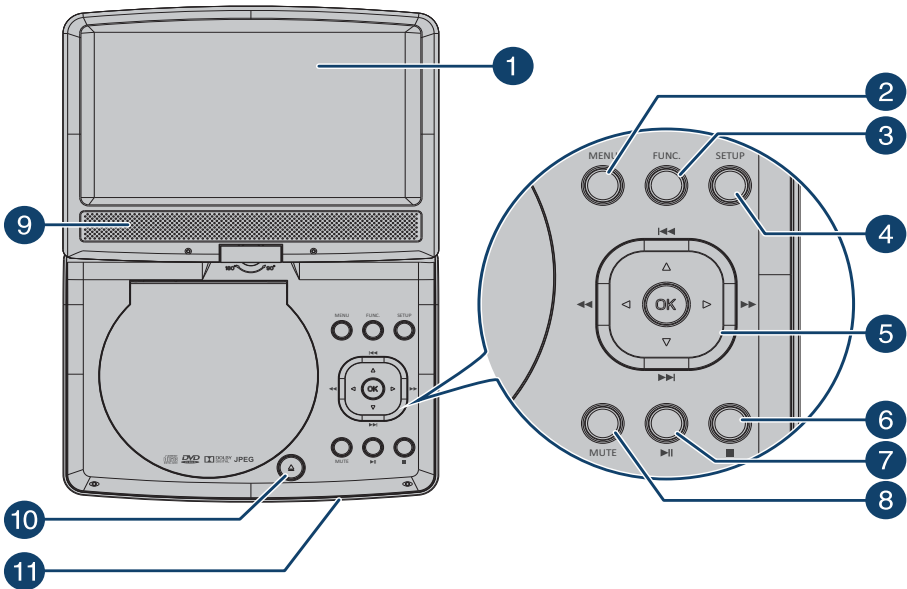
- This unit can play DVDs and Audio CDs (including CD-R and CD-RW).
- This unit is designed and manufactured to respond to the Region Management Information that is encoded on DVDs. If the region number printed on the DVD does not correspond to the region number of this unit, it cannot play that disc.
- The region number of this unit is 1. 
- Do not use irregularly shaped discs, such as heart-shaped or star-shaped discs, because they may cause your player to malfunction.
- Do not stick paper, tape, or glue on a disc.
- Do not expose a disc to direct sunlight or heat sources.
- Do not touch the surface of a disc. Handle a disc by its edge.
- Clean a disc by wiping the disc from the center out with a cleaning cloth.
- Remove a disc from your player and store it in its case after playing.
- Some playback operations of discs may be intentionally limited by software producers. Because your player plays discs according to the disc contents the software producers designed, some playback features may not be available. Also refer to the instructions supplied with the discs.

**Features****Package contents**

- AC adapter
- Car power adapter
- Audio/Video adapter cable
- Y cable for 2 earphones (headphone splitter)
- Built-in rechargeable battery with up to 2.5 hours playback time
- *Quick start guide*

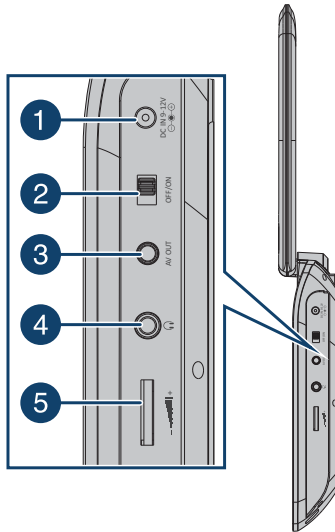
DVD Player


Top



#	Item	Description
1	LCD screen	Displays the picture.
2	<b>MENU</b> button	Press to access or exit the disc menu on a DVD.
3	<b>FUNC.</b> button	Press to enter or exit the function menu.
4	<b>SETUP</b> button	Press to access or exit the <i>SETUP</i> menu.
5	Navigation controls ◀◀, ▶▶, ▼, or ▲ OK	During playback, press the ◀◀ and ▶▶ buttons to fast forward or fast reverse the disc. When using the setup menus, press the arrow keys to navigate and the <b>OK</b> button to confirm an entry or selection. <b>Note:</b> See “ <a href="#">Player function menu</a> ” on page 6 for more information.
6	Stop (■) button	Press to stop playback.
7	Play/Pause (▶  ) button	Press to pause or resume playback.
8	<b>MUTE</b> button	Press to MUTE or unmute.
9	Built-in speaker	Provides audio output when headphones are not connected.
10	Open (▲) button	Press to open the disc door.
11	Power indicator	This indicator is blue when your player is powered and turned on. It lights red when charging your player and yellow when charging is complete.

**Side**



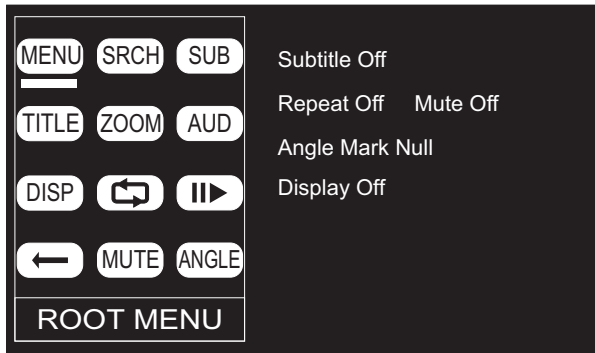
#	Item	Description
1	<b>DC IN</b> jack	Connect to an AC adapter or 12V car power adapter.
2	<b>ON/OFF</b> switch	Slide to turn your DVD player on or off.
3	<b>AV OUT</b> jack	Connect a monitor, TV, or amplifier to this jack using the included AV adapter cable and an RCA cable (not included).
4	Headphone jack 	Plug headphones into this jack. <b>Note:</b> When headphones are plugged in, sound does not come out of your player's speakers.
5	VOLUME control	Rotate to increase or decrease the volume.

## Player function menu

You must use the navigation control buttons on the player to navigate through the player functions.

### To access the player function menu:

- 1 Press the **FUNC.** button during playback.
- 2 Use the navigation control buttons to move to each option and make changes, then press **OK** when finished.



Menu option	Description
MENU	Select once to open the main DVD menu. This option works only if the DVD has a main menu. In the root menu, select <b>FUNC.</b> on the player to open the DVD title menu. This option works only if the DVD has a title menu.
SRCH (search)	Select to search the chapter, title, or track.
SUB (subtitle)	Select to turn subtitles on and off, or select to select the subtitle language. This option works only if the DVD has subtitles.
TITLE	Select to display DVD title information.
ZOOM	Select to enlarge the display image. You can enlarge the image 2, 3, or 4 times the normal size.
AUD (audio)	Select to change the DVD audio language. This option works only if the DVD has multiple audio languages.
DISP (display)	Select to display information about the disc, such as title, chapter number, track number, and time.
↺ (repeat)	Select to repeat the current title, chapter, or all.
⏪ (slow)	Select repeatedly to slow the playing speed to 1/2, 1/4, 1/8, or 1/16 of normal.
← (return)	Select to return to the main menu.
MUTE	Select to mute or unmute.
ANGLE	Select to change the display angle. This option works only if the DVD has multiple display angles available.

# Setting up your player

## Connecting to AC power

### Note

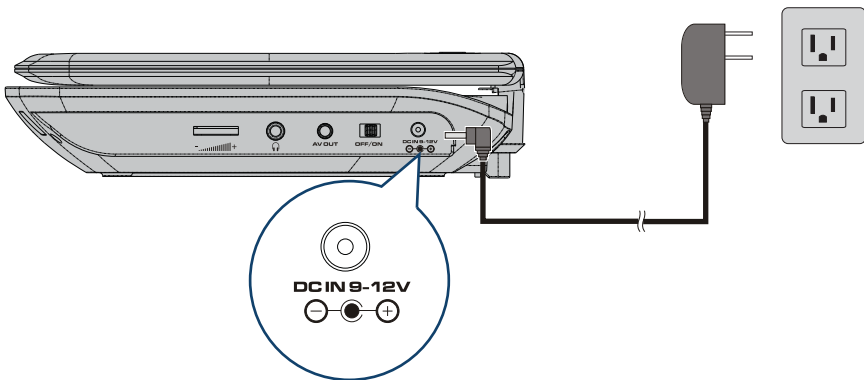
The AC adapter is used to disconnect this device from AC power. It should not be obstructed OR should be easily accessible during use. To completely disconnect the power, unplug the AC adapter from the AC power outlet.

### Cautions

- The AC power adapter included with this unit is for its use only. Do not use it with other equipment.
- When the unit is not going to be used for an extended period of time, disconnect the AC power adapter from the wall outlet.
- When the AC power adapter is plugged in, the apparatus is not completely disconnected from the main power supply, even when the power is turned off.

### To connect to AC power:

- 1 Plug one end of the AC power adapter into the **DC IN** jack on the side of your player.



- 2 Plug the other end of the adapter into an AC wall outlet.

## Connecting to a 12V car power adapter

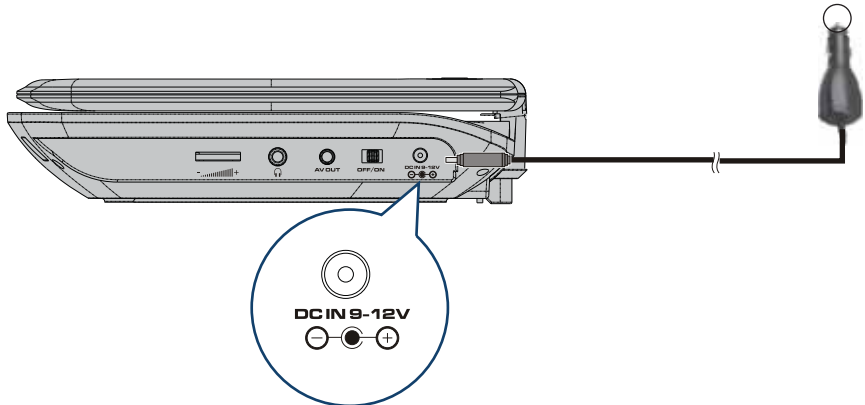
The 12V car power adapter lets you use your DVD player in vehicles that have a 12V, negative ground electrical system.

### Cautions

- Do not use in 24V vehicles or you could damage your DVD player.
- Use the included 12V car power adapter only. Use with other car power adapters could damage the unit.
- The 12V car power adapter included with this DVD player is for its use only. Do not use it with other equipment.
- In the interest of traffic safety, do not operate this unit or view videos while driving a vehicle.
- Make sure the unit is securely fastened to prevent it from falling or flying through the air in the event of an accident.
- When the inside of the cigarette lighter socket is dirty with ashes or dust, the plug section may become hot due to poor contact. Be sure to clean the cigarette lighter socket before use. Make sure the ignition key is off when you clean the socket. Clean the socket with a dry cloth.
- After use, disconnect the 12V car power adapter from both the DVD player and the cigarette lighter socket.

### To connect to a 12V car power adapter:

- 1 Plug one end of the car power adapter into the **DC IN** jack on the side of your player.



- 2 Plug the other end of the adapter into a 12V vehicle power outlet or vehicle cigarette lighter socket.
- 3 Turn off your player. The red charge indicator turns on.




## Charging the battery

Your DVD player has a built-in, non-replaceable, rechargeable battery. Charge the built-in battery before using it for the first time. Complete charging typically takes approximately 3-3.5 hours. The charging light turns yellow when the built-in battery is fully charged.

### Warning

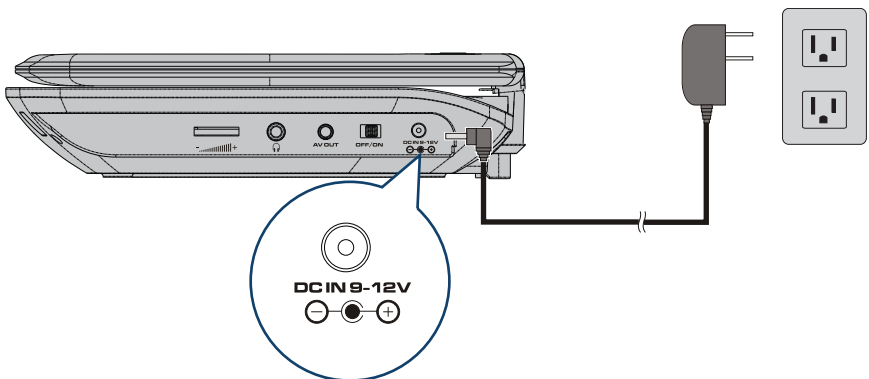
Batteries should not be exposed to excessive heat such as sunshine, fire, or the like.

### Notes

- During playback, when the battery low icon  appears on the screen, the built-in battery power is low and your player should be recharged.
- While using the built-in battery, the ambient temperature should be 41°F (5°C) to 95°F (35°C).
- To get the longest service life of the built-in battery, charge at indoor-temperature.
- The built-in battery in this device may present a risk of fire or chemical burn if mistreated. Do not disassemble, heat above 212°F (100°C), or incinerate.
- The unit should not be exposed to excessive heat such as sunshine, fire, or the like.
- When discarding the unit, environmental problems must be considered and local rules or laws governing the disposal of such products must be strictly followed.

### To charge with the AC power adapter:

- 1 Turn off the player. The battery only charges when the player is turned off.
- 2 Connect the supplied AC power adapter to the **DC IN** jack on the player, then plug the adapter into an AC power outlet.

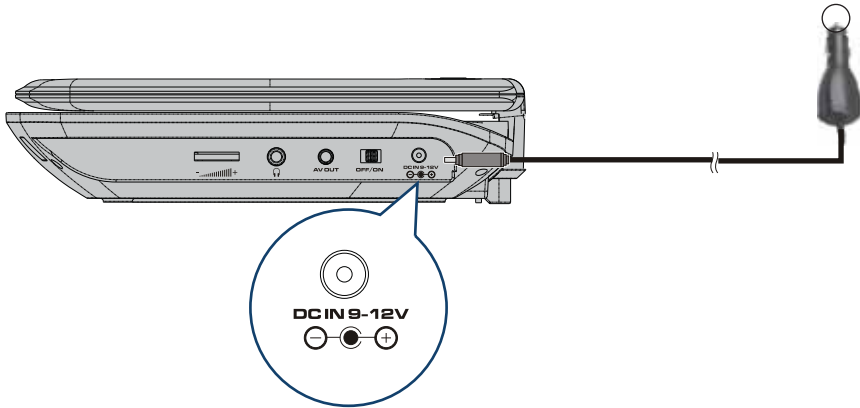


When the battery is charging, the battery charge indicator lights red. When the battery is fully charged, the charge light turns yellow.

- 3 Unplug the AC power adapter when the battery is fully charged, then you can use your player with the built-in battery.

### To charge with a 12V car power adapter:

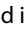
- 1 Turn off the player. The battery only charges when the player is turned off.
- 2 Connect the supplied 12V car power adapter to the **DC IN** jack on the player, then plug the adapter into a 12V vehicle power outlet or vehicle cigarette lighter socket.




When the battery is charging, the battery charge indicator lights red. When the battery is fully charged, the charge light turns yellow.

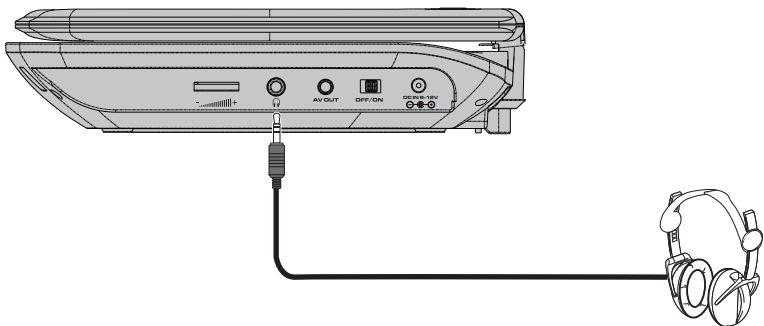
- 3 Unplug the 12V car power adapter when the battery is fully charged, then you can use your player with the built-in battery.


### Connecting headphones

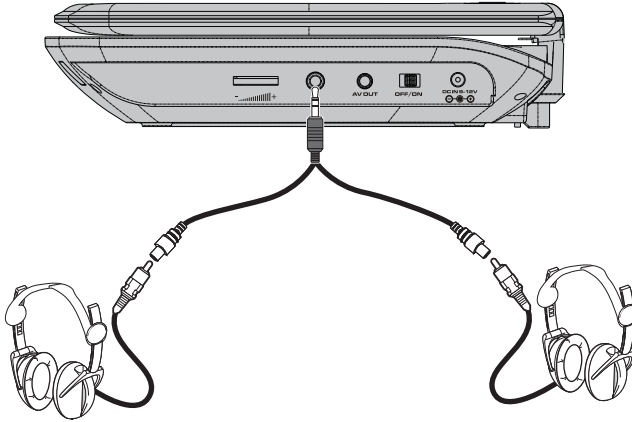
When headphones are plugged into the  (headphone) jack, no sound comes from the built-in speakers.

### To connect headphones:

- Plug one pair of headphones (not included) into the  (headphone) jack.



- For two headphones, plug each headphone (not included) into the included y-cable, then plug the y-cable into the  (headphone) jack.

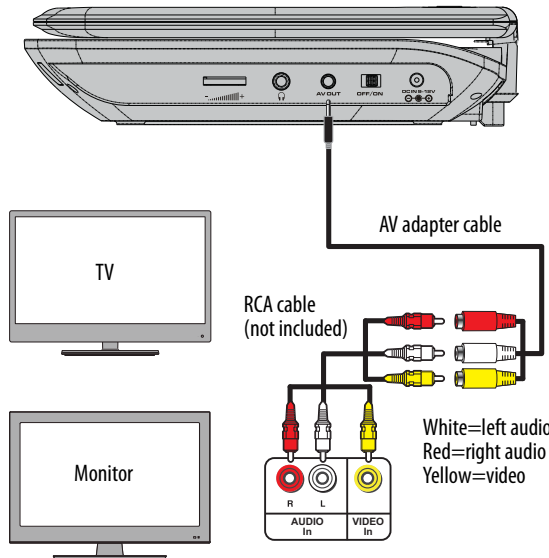


### Connecting a TV or monitor

If your TV has audio/video inputs, you can connect your DVD player to your TV using standard Audio/Video cables so you can watch DVDs on the TV or monitor.

#### To connect a TV or monitor:

- 1 Plug the end of an AV adapter cable (included) into the **AV OUT** jack on your player.



- 2 Plug the connectors on an RCA cable (not included) into the connectors on the other end of the included AV adapter cable. Make sure that the colors on the connectors match.
- 3 Plug the other end of the RCA cable into the AV jacks on the TV or monitor, making sure to match the colors on the connectors with the jacks on the TV (or monitor).
- 4 Turn your TV or monitor on.

**Note**

You may have to select the correct input on your TV or monitor.

## Using your player

### Turning on your player

**To turn on your player:**

- 1 Slide the **ON/OFF** switch on the side of your player to the **ON** position.
- 2 The start-up picture (DVD VIDEO) appears on the screen.
- 3 After use, slide the **ON/OFF** switch to the **OFF** position.

### Playing a DVD or audio CD

**Notes**

- Most DVDs and your player have region codes that help control illegal distribution of DVDs. The region code for your player is **1**. You can only play DVDs with a region code of **1** or **ALL**. The region code for a DVD is printed on the DVD or the DVD packaging.
- This *User Guide* explains the basic instructions for operating this unit. Some DVDs are produced in a manner that allows specific or limited operation during playback. Therefore, this unit may not respond to all operating commands. **THIS IS NOT A DEFECT**. Please refer to the instructions accompanying the specific DVD in question for more information about the options available on that DVD.
- “⊗” may appear on the screen during operation. A “⊗” means the desired operation is not permitted by the unit or disc.

**To play a disc:**

- 1 Make sure that your player is connected to power or that the battery is charged.
- 2 Slide the **ON/OFF** switch on the side of your player to the **ON** position.
- 3 Press the open (▲) button to open the disc door. The disc door opens.
- 4 Place a disc, label side up, in the disc tray, then close the tray. The disc starts playing automatically. If playback does not begin automatically, press ►|| on the player.

## Controlling DVD or audio CD playback

### To control disc playback:

- Press Stop (■) once to stop playback. Your player remembers where you stopped. If you press ►||, your player starts playing at the point where you stopped.
- Press Stop (■) twice to stop playback. If you press ►||, your player starts playing at the beginning of the disc.

#### Note

When playing an audio CD, press Stop (■) twice to stop playback and return the player to the beginning of the CD.

- During playback, press ►|| to pause playback. Press this button again to resume playback.
- Press ►► to fast-forward on the disc. Each time you press this button, the fast-forward speed changes from 2 to 4 to 8 to 16 to 32 times the normal speed. To resume normal playback, press **OK**.
- Press ◀◀ to fast-reverse on the disc. Each time you press this button, the fast-reverse speed changes from 2 to 4 to 8 to 16 to 32 times the normal speed. To resume normal playback, press **OK**.
- Press ►▶ to go to the next title, chapter, or track.
- Press ◀◀ to go to the previous title, chapter, or track.

## Adjusting the volume

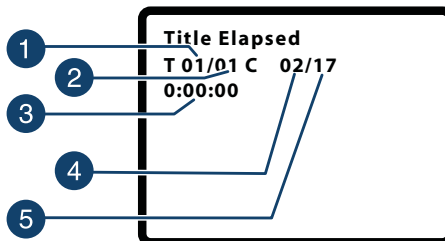
### To adjust the volume:

- Rotate the volume control on the right side of your player.

## Viewing DVD information

### To view DVD information:

- 1 During playback, press **FUNC.** to enter the *Function* menu.
- 2 Navigate to **DISP** and press **OK**. The following display appears.



#	Description
1	Current title number
2	Total number of titles

#	Description
3	Elapsed playing time for the current title
4	Current chapter number
5	Total number of chapters

- 3** Press **OK** one or more times to view specific DVD information when the display says “press OK to display information.”

You can view:

- **Title Elapsed**—Shows the elapsed playing time for the title.
- **Title Remain**—Shows the remaining playing time for the title.
- **Chapter Elapsed**—Shows the elapsed playing time for the chapter.
- **Chapter Remain**—Shows the remaining playing time for the chapter.
- **Display Off**—Turns off the information display.

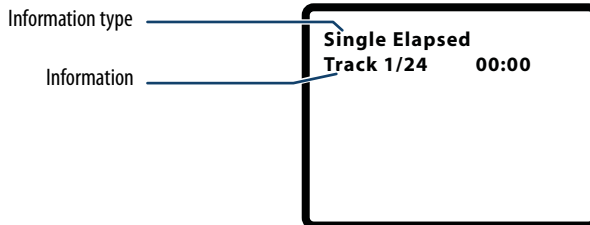
#### Note

The information display automatically turns off if you do not press **OK** within eight seconds.

## Viewing audio CD information

### To view audio CD information:

- 1** During playback, press **FUNC.** to enter the *Function* menu.
- 2** Navigate to **DISP** and press **OK**. The following display appears.



- 3** Press **OK** one or more times to view specific CD information when the display says “press OK to display information.”

You can view:

- **Single Elapsed**—Shows the currently playing track and the elapsed playing time for the track.
- **Single Remain**—Shows the currently playing track and the remaining playing time for the track.
- **Total Elapsed**—Shows the currently playing track and the elapsed playing time for the CD.

- **Total Remain**—Shows the currently playing track and the remaining playing time for the CD.

**Note**

The information display automatically turns off if you do not press **OK** within eight seconds.

## Opening the DVD main menu


### To open the DVD menu:

- 1 During playback, press **FUNC.** to enter the *Function* menu.
- 2 Navigate to **MENU**, then press **OK**. If the DVD has a main menu, the menu opens.

**Note**

Contents of DVD main menus vary from DVD to DVD. Some DVDs only let you start playback from the main menu.

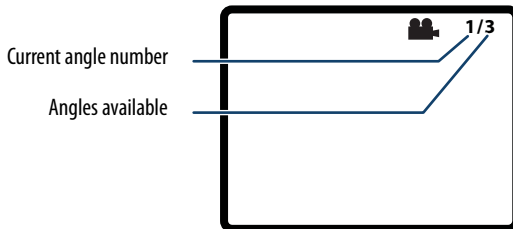
## Selecting a viewing angle

Some DVDs are recorded with multiple viewing angles for some scenes. When a scene has multiple viewing angles, the angle icon  appears on the screen.

### To select a viewing angle:

- 1 Press **SETUP** to enter the *Setup* menu, then set **Angle Mark** to **ON**. See [“Using the Setup menu” on page 17](#) for more information.
- 2 Press **FUNC.** to enter the *Function* menu.
- 3 Navigate to **ANGLE** and press **OK** when the display says “press OK to change viewing angle.”

During playback, if the angle mark is on the angle display appears, showing the current angle and the total number of angles. In the following example, the current angle is 1 and the total number of angles is 3.



## Selecting an audio language

Some DVDs are recorded with multiple audio languages.

**Note**

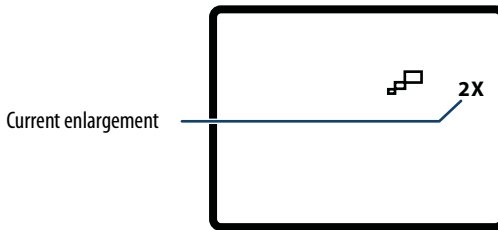
Some DVDs only let you select an audio language from the DVD main menu.

**To select an audio language:**

- 1 During playback, press **FUNC.** to enter the *Function* menu.
- 2 Navigate to **AUD** and press **OK**. The audio display appears showing the current audio language and the total number of audio languages available.
- 3 Press **OK** one or more times to select the audio language you want when the display says “press OK to select language.”


**Enlarging the display image****To enlarge the display image:**

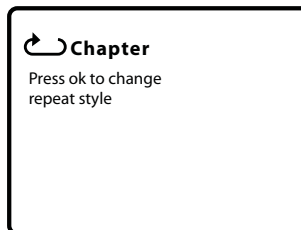
- 1 During playback, press **FUNC.** to enter the *Function* menu.
- 2 Navigate to **ZOOM** and press **OK**. The following display appears.







- 3 Press **OK** one or more times to enlarge the image 2, 3 or 4 times when the display says “press OK to enlarge image.”
- 4 Press **OK** a fourth time to return to normal viewing.

**Repeating a chapter, title, or DVD****To repeat a chapter, title, or DVD:**

- 1 During playback, press **FUNC.** to enter the *Function* menu.
- 2 Navigate to  and press **OK**. The following display appears.




- 3 Press **OK** one or more times to select:
  -  Chapter—Repeats the currently playing chapter.
  -  Title—Repeats the currently playing title.
  -  All—Repeats all the chapters and titles.
  -  Off—Turns off the repeat function.



## Repeating a track or CD

### To repeat a track or CD:

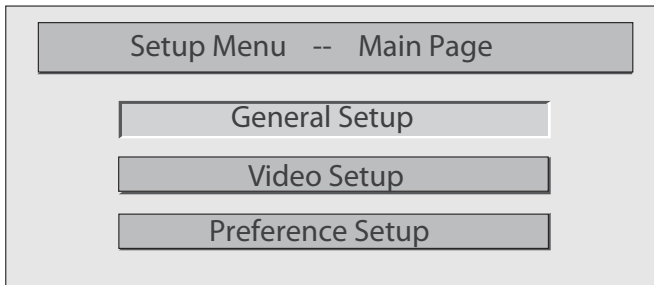
- 1 During playback, press **FUNC.** to enter the *Function* menu.
- 2 Navigate to  and, when the display says "press OK to repeat," press **OK** repeatedly to select:
  - **Track**—Repeats the currently playing track.
  - **All**—Repeats the entire CD.
  - **Off**—Turns off the repeat function.

## Using the Setup menu

Your player has a *Setup* menu you can use to adjust settings for your player.

### To use the Setup menu:

- 1 Press **SETUP**. The *Setup Menu - Main Page* opens with **General Setup** highlighted.




- 2 Press **◀◀** or **▶▶** to select the menu page you want, then press **OK**.
- 3 Press **▲** or **▼** to select an option.
- 4 Press **◀◀** or **▶▶** to change the setting, then press **OK** to confirm your selection.
- 5 Repeat Step 2 through Step 4 to change other menu options.
- 6 Press **SETUP** to exit.

## Setup menu options

Options	Options
<b>General Setup</b> Page	<p><b>TV Display</b>—Selects the aspect ratio. You can select:</p> <ul style="list-style-type: none"> <li>• <b>Normal/PS</b> displays the video image full-screen when the player is connected to a normal TV (4:3 aspect ratio). Wide-screen images are shown with some parts cropped automatically.</li> <li>• <b>Normal/LB</b> displays the video image full-screen when the player is connected to a normal TV (4:3 aspect ratio). Wide-screen images are shown with a black band on the top and bottom.</li> <li>• <b>Wide</b> displays the video image full-screen when your player is connected to a widescreen TV (16:9 aspect ratio).</li> </ul> <p><b>Angle Mark</b>—If this option is turned on and the DVD you are watching has multiple viewing angles, the icon appears in scenes that have multiple viewing angles.</p> <p><b>OSD Language</b>—Selects the language for the <i>Setup</i> menu. You can select <b>English, French, or Spanish</b>.</p> <p><b>Screen Saver</b>—When this option is turned on, your player displays a screen saver when the same image stays on the screen for five minutes.</p> <p><b>Last Memory</b>—When this option is turned on and you open the disc tray, your player remembers where you stopped. If you close the tray with the same disc loaded, your player starts playing at the point where you stopped.</p>
<b>Video Setup</b> Page	<p><b>TV Type</b>—Selects the TV type. Options are PAL (typically Europe) or NTSC (typically USA). The default is NTSC.</p> <p><b>Display Quality</b>—Select to adjust the following:</p> <ul style="list-style-type: none"> <li>• <b>Brightness</b>—Increases the brightness to add more light to dark areas of the picture or decreases the brightness to add more dark to light areas of the picture.</li> <li>• <b>Contrast</b>—Increases the contrast level to adjust the white areas of the picture or decreases the contrast level to adjust the black areas of the picture.</li> <li>• <b>Hue</b>—Increases the color level to add more green to skin tones or decreases the color level to add more purple to skin tones.</li> <li>• <b>Saturation</b>—Adjusts the color saturation.</li> </ul>
<b>Preference Setup</b> Page	<p><b>Audio</b>—Selects the audio language. If the language you select is not recorded on the DVD, your player plays the default audio language.</p> <p><b>Subtitle</b>—Select the subtitle language. If the language you select is not recorded on the DVD, your player displays the default subtitle language.</p> <p><b>Disc Menu</b>—Selects the DVD menu language. If the language you select is not recorded on the DVD, your player displays the default language.</p> <p><b>Parental</b>—Blocks DVD playback based on ratings. Select this option to set the parental control level. Options include: <b>KID SAFE, G, PG, PG 13, PGR, R, Nc17, and ADULT</b>. The default is <b>ADULT</b>. The password is pressing <b>FUNC., STOP, FUNC.,</b> then <b>STOP</b>, in that order.</p> <p><b>Default</b>—Reset all settings except the password and parental controls back to the factory default.</p>

# Troubleshooting

Problem	Solution
No power	<ul style="list-style-type: none"> <li>• Make sure that the AC power adapter is plugged in and connected.</li> <li>• Make sure that your player is turned on.</li> </ul>
No sound or distorted sound.	<ul style="list-style-type: none"> <li>• Adjust the volume.</li> <li>• Make sure that all cables are inserted correctly into the appropriate jacks.</li> <li>• Make sure that your player is not paused.</li> <li>• Make sure that your player is not in fast forward or fast reverse mode.</li> <li>• Make sure that your player is not too hot. Let it cool for 30 minutes, then try it again.</li> <li>• Make sure that the headphones are not plugged in.</li> </ul>
Cannot fast-forward or fast-reverse through a movie.	<ul style="list-style-type: none"> <li>• You cannot fast-forward through opening credits and warning information at the beginning of a movie.</li> <li>• Some DVDs do not allow rapid scanning or skipping of titles or chapters.</li> </ul>
The  icon appears on the screen.	<p>The action you tried cannot be done because:</p> <ul style="list-style-type: none"> <li>• The DVD software does not allow it.</li> <li>• The DVD does not support the feature (for example the Subtitle feature).</li> <li>• The feature is not available at the current point on the DVD.</li> <li>• You entered a title or chapter number that is out of range.</li> </ul>
Picture is distorted.	<ul style="list-style-type: none"> <li>• During fast-forwarding or fast-reversing, distortion is normal.</li> <li>• The DVD may be damaged. Try another DVD.</li> </ul>
Disc does not play.	<ul style="list-style-type: none"> <li>• Make sure that the disc is inserted with the label side up.</li> <li>• Make sure that the disc is compatible with your player. Your player can play DVDs and audio CDs.</li> </ul>
Play starts, then stops immediately.	<ul style="list-style-type: none"> <li>• Make sure that the region code for the DVD matches the region code for your player. Your player's region code is 1. The DVD's region code is on the DVD or the DVD packaging.</li> <li>• Make sure that the disc is not dirty.</li> <li>• If condensation has formed inside your player, let your player dry out.</li> </ul>

## Maintaining

### Cleaning your player

Clean the outside of your player with a clean cloth, slightly dampened with water.

#### Note

Do not use liquid cleaners or aerosol cleaners because they may damage your player.

### Handling discs

- To keep a disc clean, do not touch the play side (non-label side) of the disc.
- Do not attach paper or tape to the disc.



- Keep the disc away from direct sunlight or heat sources.
- Store the disc in a disc case after playback.

### Cleaning discs

- Before playback, wipe the disc outwards from the center with a clean cloth.



## Specifications

Specifications subject to change without notice.

Compatible discs	DVDs and CDs
Signal system	NTSC or PAL
LCD	9-inch panel
Frequency response	20 Hz to 20 kHz
Audio S/N	Better than 60 dB
Laser	Semiconductor
Wave length	650 nm/795 nm
Power source	DC 9 V-12 V
Operating temperature	32° to 104°F (10° to 40°C)
Weight	1.98 lbs. (0.9 kg)
Dimensions (W × D × H)	9.45 x 6.98 x 1.57 inches (240 x 175 x 40 mm)
Battery	Li-polymer

## Legal notices

### FCC Part 15

This device complies with Part 15 of the FCC Rules. Operation of this product is subject to the following two conditions: (1) this device may not cause harmful interference, and (2) this device must accept any interference received, including interference that may cause undesired operation.

This equipment has been tested and found to comply within the limits for a class B digital device, pursuant to Part 15 of the FCC Rules. These limits are designed to provide reasonable protection against harmful interference in a residential installation. This equipment generates, uses, and can radiate radio frequency energy and, if not installed and used in accordance with the instructions, may cause harmful interference to radio communications. However, there is no guarantee that interference will not occur in a particular installation. If this equipment does cause harmful interference to radio or television reception, which can be determined by turning the equipment off and on, the user is encouraged to try to correct the interference by one or more of the following measures:

- Reorient or relocate the receiving antenna.
- Increase the separation between the equipment and receiver.
- Connect the equipment into an outlet on a circuit different from that to which the receiver is connected.
- Consult the dealer or an experienced radio/TV technician for help.

### FCC warning

Changes or modifications not expressly approved by the party responsible for compliance with the FCC Rules could void the user's authority to operate this equipment.

### Dolby License Notice and Trademark Acknowledgement

Manufactured under license from Dolby Laboratories. Dolby and the double-D symbol are trademarks of Dolby Laboratories.



# ONE-YEAR LIMITED WARRANTY - INSIGNIA

## Definitions:

The Distributor\* of Insignia branded products warrants to you, the original purchaser of this new Insignia-branded product ("Product"), that the Product shall be free of defects in the original manufacturer of the material or workmanship for a period of one (1) year from the date of your purchase of the Product ("Warranty Period").

For this warranty to apply, your Product must be purchased in the United States or Canada from a Best Buy branded or Future Shop branded retail store or online at [www.bestbuy.com](http://www.bestbuy.com), [www.bestbuy.ca](http://www.bestbuy.ca), or [www.futureshop.ca](http://www.futureshop.ca) and is packaged with this warranty statement.

## How long does the coverage last?

The Warranty Period lasts for 1 year (365 days) from the date you purchased the Product. Your purchase date is printed on the receipt you received with the Product.

## What does this warranty cover?

During the Warranty Period, if the original manufacture of the material or workmanship of the Product is determined to be defective by an authorized Insignia repair center or store personnel, Insignia will (at its sole option): (1) repair the Product with new or rebuilt parts; or (2) replace the Product at no charge with new or rebuilt comparable products or parts. Products and parts replaced under this warranty become the property of Insignia and are not returned to you. If service of Products or parts are required after the Warranty Period expires, you must pay all labor and parts charges. This warranty lasts as long as you own your Insignia Product during the Warranty Period. Warranty coverage terminates if you sell or otherwise transfer the Product.

## How to obtain warranty service?

If you purchased the Product at a Best Buy or Future Shop retail store location, please take your original receipt and the Product to any Best Buy or Future Shop store. Make sure that you place the Product in its original packaging or packaging that provides the same amount of protection as the original packaging. If you purchased the Product from a Best Buy or Future Shop online web site ([www.bestbuy.com](http://www.bestbuy.com), [www.bestbuy.ca](http://www.bestbuy.ca), or [www.futureshop.ca](http://www.futureshop.ca)), mail your original receipt and the Product to the address listed on the web site. Make sure that you put the Product in its original packaging or packaging that provides the same amount of protection as the original packaging.

To obtain warranty service, in the United States call 1-888-BESTBUY, Canada call 1-866-BESTBUY for Future Shop call 1-800-663-2275. Call agents may diagnose and correct the issue over the phone.

## Where is the warranty valid?

This warranty is valid only in the United States and Canada at Best Buy or Future Shop branded retail stores or websites to the original purchaser of the product in the county where the original purchase was made.

## What does the warranty not cover?

This warranty does not cover:

- Customer instruction/education
- Installation
- Set up adjustments
- Cosmetic damage
- Damage due to weather, lightning, and other acts of God, such as power surges
- Accidental damage
- Misuse
- Abuse
- Negligence

- Commercial purposes/use, including but not limited to use in a place of business or in communal areas of a multiple dwelling condominium or apartment complex, or otherwise used in a place of other than a private home.
- Modification of any part of the Product, including the antenna
- Display panel damaged by static (non-moving) images applied for lengthy periods (burn-in).
- Damage due to incorrect operation or maintenance
- Connection to an incorrect voltage or power supply
- Attempted repair by any person not authorized by Insignia to service the Product
- Products sold "as is" or "with all faults"
- Consumables, including but not limited to batteries (i.e. AA, AAA, C etc.)
- Products where the factory applied serial number has been altered or removed
- Loss or Theft of this product or any part of the product
- Display panels containing up to three (3) pixel failures (dots that are dark or incorrectly illuminated) grouped in an area smaller than one tenth (1/10) of the display size or up to five (5) pixel failures throughout the display. (Pixel based displays may contain a limited number of pixels that may not function normally.)
- Failures or Damage caused by any contact including but not limited to liquids, gels or pastes.

REPAIR REPLACEMENT AS PROVIDED UNDER THIS WARRANTY IS YOUR EXCLUSIVE REMEDY FOR BREACH OF WARRANTY. INSIGNIA SHALL NOT BE LIABLE FOR ANY INCIDENTAL OR CONSEQUENTIAL DAMAGES FOR THE BREACH OF ANY EXPRESS OR IMPLIED WARRANTY ON THIS PRODUCT, INCLUDING, BUT NOT LIMITED TO, LOST DATA, LOSS OF USE OF YOUR PRODUCT, LOST BUSINESS OR LOST PROFITS. INSIGNIA PRODUCTS MAKES NO OTHER EXPRESS WARRANTIES WITH RESPECT TO THE PRODUCT, ALL EXPRESS AND IMPLIED WARRANTIES FOR THE PRODUCT, INCLUDING, BUT NOT LIMITED TO, ANY IMPLIED WARRANTIES OF AND CONDITIONS OF MERCHANTABILITY AND FITNESS FOR A PARTICULAR PURPOSE, ARE LIMITED IN DURATION TO THE WARRANTY PERIOD SET FORTH ABOVE AND NO WARRANTIES, WHETHER EXPRESS OR IMPLIED, WILL APPLY AFTER THE WARRANTY PERIOD. SOME STATES, PROVINCES AND JURISDICTIONS DO NOT ALLOW LIMITATIONS ON HOW LONG AN IMPLIED WARRANTY LASTS, SO THE ABOVE LIMITATION MAY NOT APPLY TO YOU. THIS WARRANTY GIVES YOU SPECIFIC LEGAL RIGHTS, AND YOU MAY ALSO HAVE OTHER RIGHTS, WHICH VARY FROM STATE TO STATE OR PROVINCE TO PROVINCE.

Contact Insignia:

For customer service please call 1-877-467-4289

[www.insigniaproducts.com](http://www.insigniaproducts.com)

INSIGNIA is a trademark of Best Buy and its affiliated companies.

Registered in some countries.

Distributed by Best Buy Purchasing, LLC

7601 Penn Ave South, Richfield, MN 55423 U.S.A.

©2014 Best Buy. All rights reserved.

Made in China



# INSIGNIA™

[www.insigniaproducts.com](http://www.insigniaproducts.com) 1-877-467-4289

INSIGNIA is a trademark of Best Buy and its affiliated companies.

Registered in some countries.

Distributed by Best Buy Purchasing, LLC

7601 Penn Ave South, Richfield, MN 55423 U.S.A.

©2014 Best Buy. All rights reserved.

Made in China.

V2 ENGLISH  
14-0412