



USER MANUAL – EN

IN 7562 Motorized Treadmill inSPORTline Zidaho (QS8480C)



CONTENTS

TIPS FOR SAFETY	3
SPECIAL TIPS FOR SAFETY.....	4
PACKING DETAILS	4
EXPLODED VIEW	6
PARTS LIST.....	6
TREADMILL STRUCTURE	8
ASSEMBLY	9
USE.....	11
SAFETY KEY	11
FOLDING / UNFOLDING	12
INSTRUCTION FOR CONSOLE.....	13
PANEL KEYS AND FUNCTIONS.....	13
DISPLAYED WINDOW	15
PROGRAMS.....	16
MAINTENANCE	17
CLEANING	19
CAUTIONS, DEPOSITING	19
GUIDES FOR MALFUNCTION	19
TERMS AND CONDITIONS OF WARRANTY, WARRANTY CLAIMS	21

Special tips:

Before installation and operation, please read this operation manual carefully and save this manual for future reference.

WARRANTY

We make sure that this item is made of high quality materials.

In normal use, if any problem, we will take charge of maintenance.

The warranty time for this item is 1 year (From the day you buy it). If any quality problem about this item, please contact with our services within 1 year. Don't deal with quality problem by yourself without any authorization.

If the product you purchased has problems as follows, the manufacturer's warranty is not effective:

- Improper operating, negligence, accident
- Improper treatment when problems.
- Use the spare parts which are not from us.
- Damage from other reasons.

For easy-wear parts, we don't provide maintenance and replace for normal use, such as belt.

This warranty is only valid for home use, and is not suitable for gym or other professional exercise.

If you want to buy spare parts, please contact with our service and provide this manual.

TIPS FOR SAFETY

We have considered more for safety when we design and produce this item. However, in case of any unhappiness, please pay attention to these tips. We don't assume responsibility if any accident caused by follow tips.

- According to your health condition, please exercise properly. Overload or improper exercise will damage your health.
- While running, you should dress properly. Don't dress too loosely in case your clothes are entangled by the machine. And please wear sport shoes. Don't let your children or pet play near it to avoid unnecessary injury.
- This machine is not suitable for children. For patients or the disabled to use, they have to follow the guides by their guardians or doctors.
- Don't use this machine when in outdoor, high humidity condition or sun.
- Please pull the plug off from socket and keep the safe key, when the treadmill is unused.
- This machine is for home use, not suitable for professional exercise or testing, and also not suitable for medical purpose.
- The heart rate on this machine is not suitable for medical.
- If any damage for power wire, please ask manufacturer or professional service to replace it in case of any danger.
- Please check all the parts before using. Make sure that all the nuts or screws are fastened.
- Place your treadmill on the clean, flat and solid floor. Make sure that there is not anything pointy, water or hot near to the machine.
- Please stop exercising immediately and consult your doctor if you're feel giddy, surfeit, thorax ache or other symptoms.
- Make sure that hands are not near to running parts. Don't put your hands or feet under the running belt.
- When running this machine, it is only for one person to use it!

- Please use the spare parts from us, it is not acceptable if you use spare parts from others.
- This machine is HC level, max weight shall be less than 120 kg.
- Please consult your doctor at first before running, if you have one of the following diseases.
 1. Cardiopathy, hypertension, sugar diabetes, respiratory disease, smoking, and other chronic diseases, complication disease.
 2. If you are over 35 years old and heavier than common weight.
 3. Women in pregnant or in breasting period.

SPECIAL TIPS FOR SAFETY

- Please use qualified socket. If the plug and the socket is not compatible, please ask electrician to handle it and don't do anything for the plug.
- The voltage for this machine is 220V-240V AC.
- Don't let power wire touch roller, and also don't put power wire on the running belt. Don't use damaged plug.
- Before cleaning, moving and maintaining the machine, please pull off the plug for the socket.

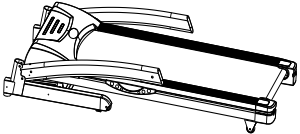
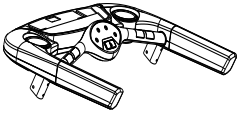
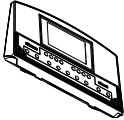
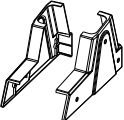
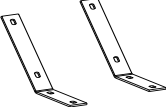

Warning: If don't pull off, it will cause injury or damage for the machine.

PACKING DETAILS

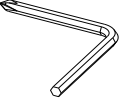
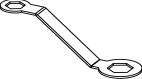

Warning: Carefully install the product, avoid making any damage.



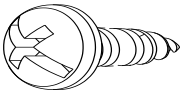




Notice:

- 1) Carefully read the instructions before installation. Operate in accordance with procedures.
- 2) Check components in the package
- 3) Remove all paper boxes and foams used as fasteners.
- 4) Check all the following components. If there is missing or problematic parts, please contact the dealer

 Frame	 Meter set	 Meter board set
 Decorating cover at base	 Meter stator	 Hardware tool bag

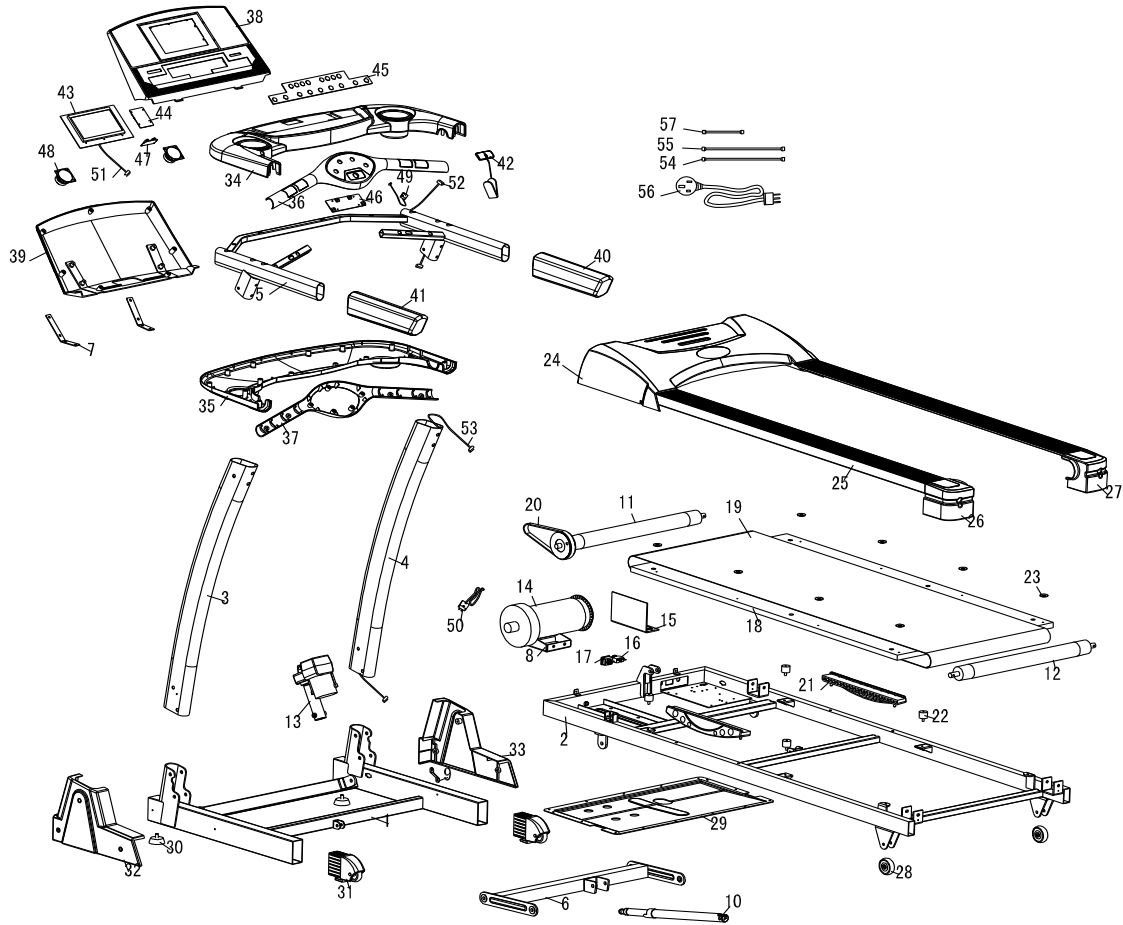
HARDWARE TOOL BAG

 Multi-wrench, 1 pc	 Homemade wrench, 1 pc	 Nut, 2 pcs
--	---	--

 <p>Umbrella-type allen screw M8*20, 8 pcs</p>	 <p>Umbrella-type allen screw M8*60, 2 pcs</p>	 <p>Umbrella-type cross tapping screw M4.2*15, 12 pcs</p>
 <p>Washer, 10 pcs</p>	 <p>Lubricant</p>	 <p>Safety key</p>
 <p>MP3 connector, 1 pc</p>		

EXPLODED VIEW

These are all the components used in installation. All components are listed in the following form.



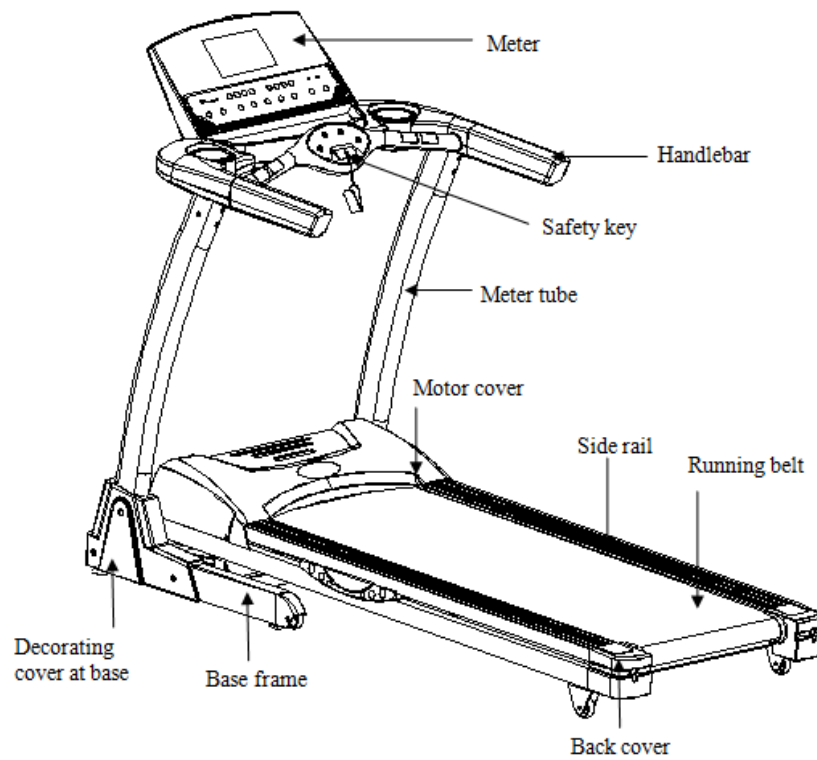
PARTS LIST

No.	Component	Quantity
1	Base frame	1
2	frame	1
3	Left pillar accessory	1
4	Right pillar accessory	1
5	Dashboard frame	1
6	Incline frame	1
7	Meter stator	2
8	Motor stator	1
9	Safety brace for base frame	1
10	pressure rod	1
11	Front roller	1

12	Back roller	1
13	Incline motor	1
14	Motor	1
15	PCB	1
16	Power switch	1
17	Overload protector	1
18	Running board	1
19	Running belt	1
20	Multislot belt	1
21	Long bumper	2
22	Bumper	4
23	Locating pad for side rail	8
24	Motor cover	1
25	Side rail	2
26	Left back cover	1
27	Right back cover	1
28	Rubber transport wheel	2
29	Lower cover of motor	1
30	Adjusting pad	2
31	Transporting wheel set at base	2
32	Left decorative cover at base	1
33	Right decorative cover at base	1
34	Upper cover of meter	1
35	Lower cover of meter	1
36	Upper cover of heart rate sensor	1
37	Lower cover of heart rate sensor	1
38	Upper cover of meter board	1
39	Lower cover of meter board	1
40	Right handlebar cover	1
41	Left handlebar cover	1
42	Safety key	1
43	Console board	1
44	Amplifier board	1
45	Touch key board	1
46	Button key board	1
47	MP3 module	1
48	Speaker	2
49	Reed pipe for safety key	1

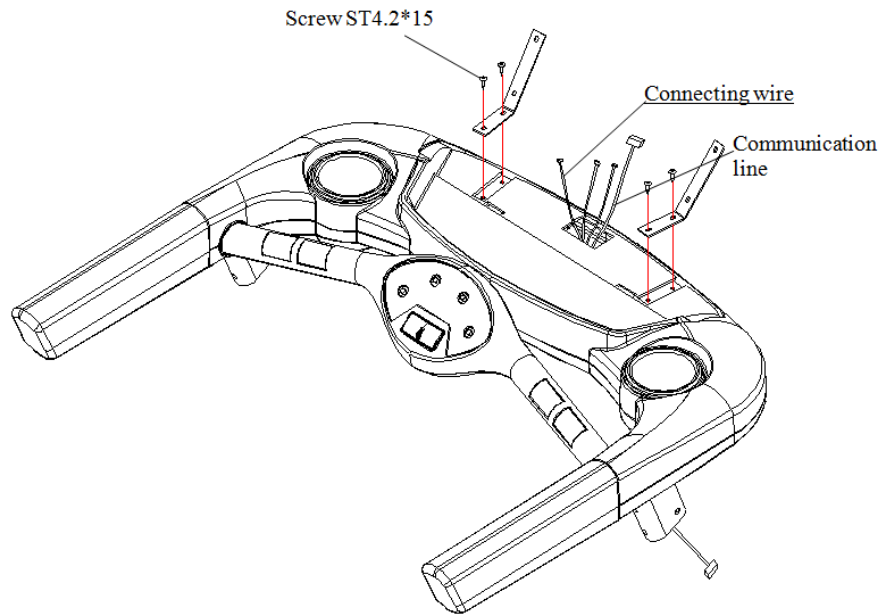
50	Speed reed pipe sensor wire	1
51	Upper communication line	1
52	Middle communication line	1
53	Lower communication line	1
54	Green connecting line	1
55	Red connecting line	1
56	Power wire	1
57	Red connecting line	1

TREADMILL STRUCTURE



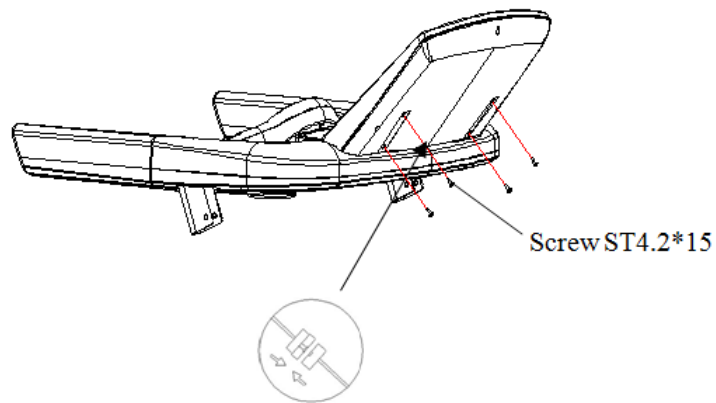
ASSEMBLY

STEP 1: Set meter stator on upper cover of meter



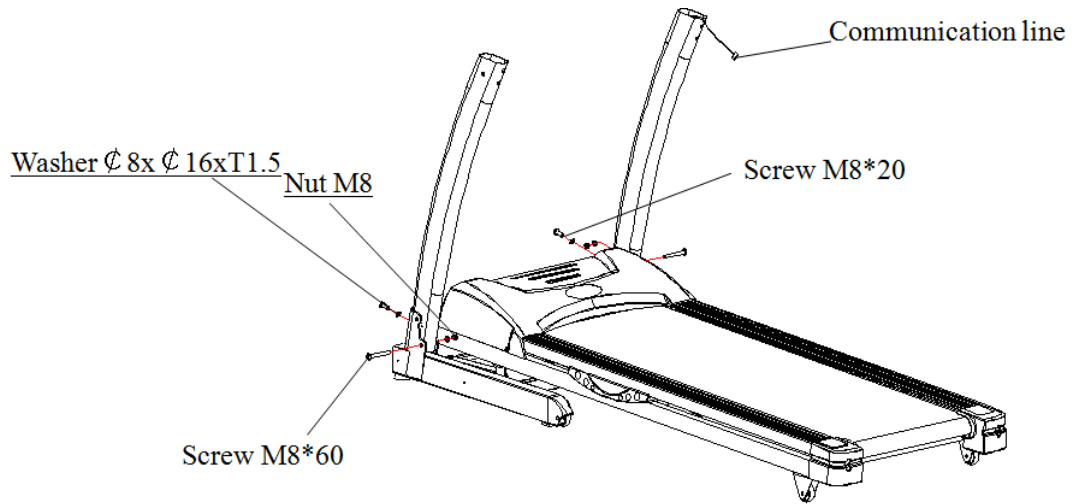
Set meter stator on upper cover of meter. Use 4 pcs of Screw ST4.2*15 to solid meter stator. (Fasten screws).

STEP 2: Put meter board on meter stator



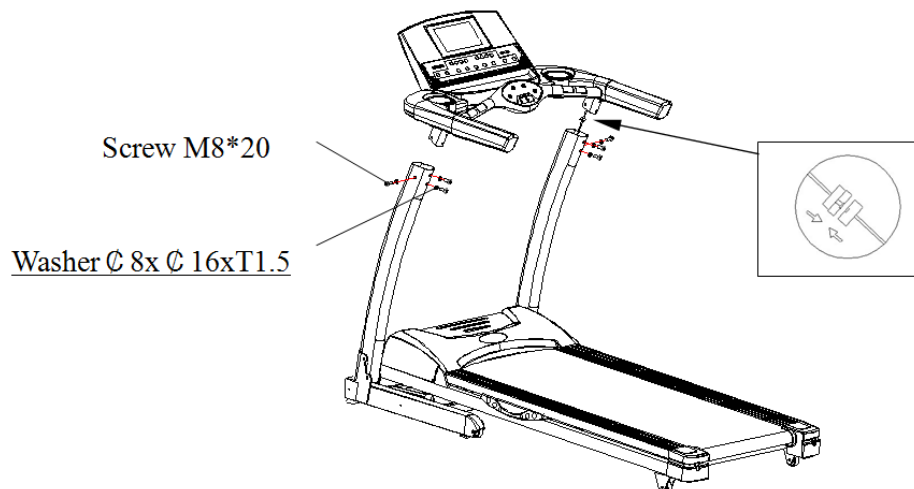
- Make sure that communication lines and connecting lines are connected correctly, in case they are connected in reverse.
- Put meter board on meter stator, use 4 pcs of Screw ST4.2*15 to solid meter board. (Fasten screws)

STEP 3: Set meter tube at base frame



Set meter tube at base frame, use 2 pcs of Screw M8*20 and 2 pcs of washer, 2 pcs of Screw M8*60, 2 pcs of washer and 2 pcs of nut to solid the meter tube (Don't fasten screw at first)

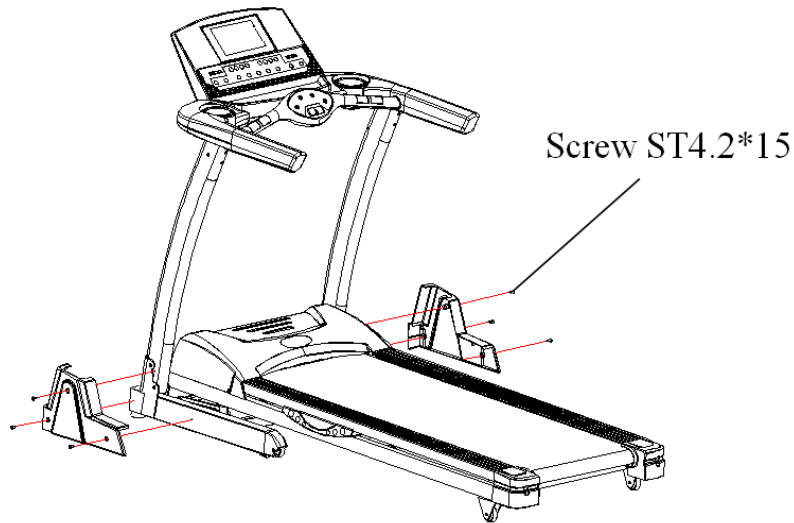
STEP 4: Put meter on the meter tube



- Make sure that communication lines are connected correctly, in case they are connected in reverse.
- Put meter on the meter tube. Use 6 pcs of Screw M8*20 with 6 pcs of washer to solid the meter. (Don't fasten screw at first)

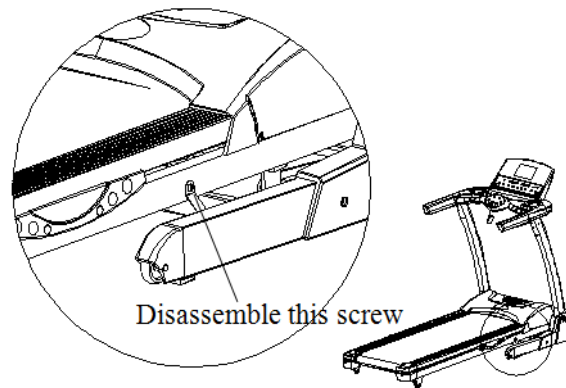
After the machine is power on, push "Start", if everything goes well, then fasten screws mentioned in front steps.

STEP 5: Install decorating cover at base



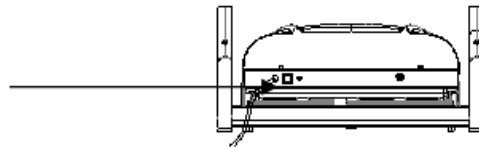
Use 6 pcs of Screw ST4.2*15 to solid left and right decorating cover at base.

Step 6: Disassemble connecting screw for base frame



USE

Insert the power plug into the socket and switch on the machine. The switch light will be on and you will hear a voice "Di". You will find the meter light will also be on.



SAFETY KEY

The machine can work only when you put safety key at the appointed position. Make sure the other end of the safety key has been nipped to your clothes. In this way, you can pull the safe key for the machine's sudden stop under the dangerous condition. Then you will not be injured. If you need to reuse the machine, you could put safety key back.



FOLDING / UNFOLDING

Folding:

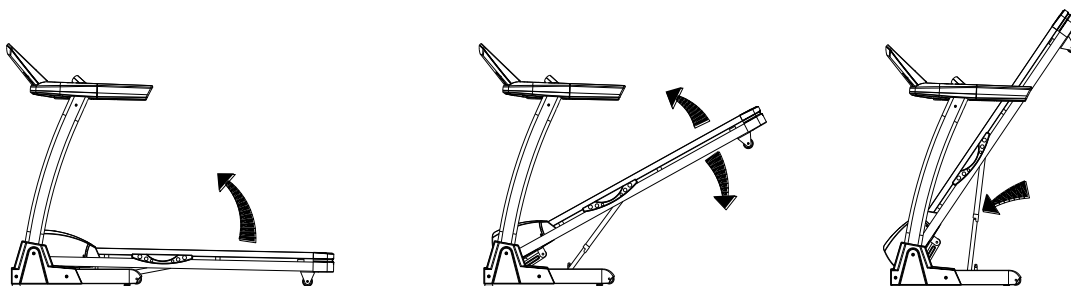
Folding will help to save space.

Before folding, please switch off and pull off the plug.

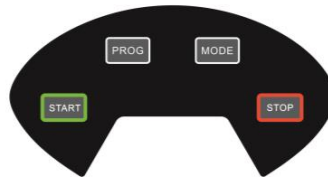
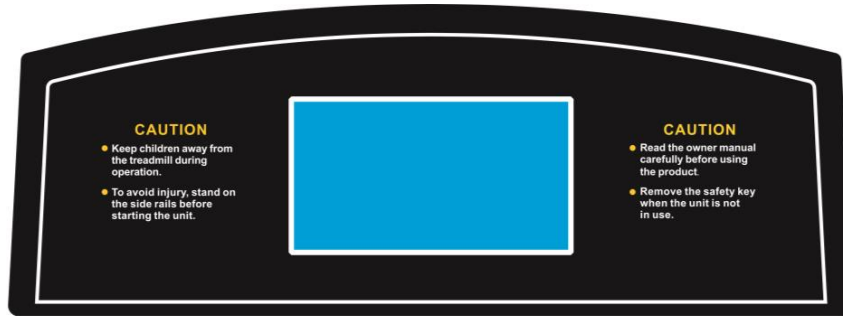
Use your hand to lift the running board until it has been locked.

Unfolding:

Step on the supporting tube and pull running board with your hands. The running board will fall to the ground slowly.



INSTRUCTION FOR CONSOLE

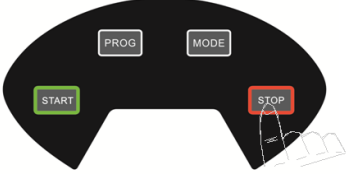
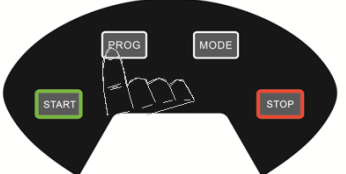
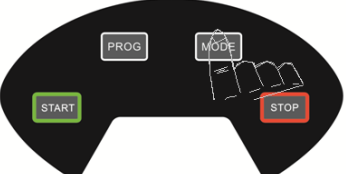


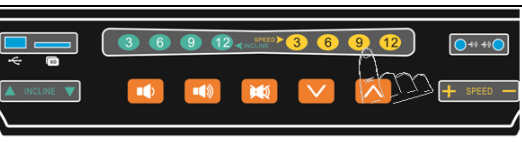

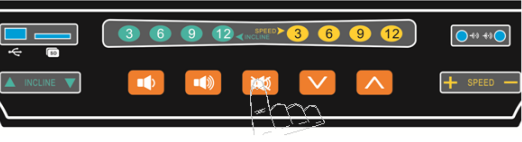


Tech info:

Time	00:00-99:59 Min
Speed	0.0-20.0 km/h
Incline	0-20 %
Distance	0.00-99.9 km
Calorie	0-999 KCAL
Heart rate	40-250 / Min
Program	P1-P99, U1-U3, BODYFAT

PANEL KEYS AND FUNCTIONS

	<p>START Key:</p> <p>Press "Start" Key, there will be 3 seconds countdown displayed on the window! After countdown, the machine will run at the speed of 1.0km/h.</p>
--	--

	<p>STOP Key:</p> <p>Under running condition, press “stop” key, it will slow down then stop.</p> <p>Reset:</p> <p>Press "Stop" Key for a long time, the machine will be reset and start for new exercise record when you press "Start".</p>
	<p>PROG. Key</p> <p>Under ready condition, Press "PROG.", you could select program P1-P99, U1-U3 and BODY FAT.</p> <p>P1-P99 is preset program, U1-U3 is user-defined program, BODY FAT is body fat test.</p> <p>When you finished selecting, you have to press “ start ”to start it !</p>
	<p>MODE Key</p> <p>Under ready condition, Press "MODE.", you could select 15:00, 1.0 or 50.</p> <p>15:00 is time countdown, 1.0 is distance countdown, 50 is calorie countdown.</p> <p>When you have selected, you have to press “start”to start it!</p>
	<p>SPEED + - Key</p> <p>Under ready condition, it is used for setting some data. Under running condition, it is used for setting speed, speed difference is 0.1 km/h for each time. When we press it for above 0.5 seconds, it will progressive increase or reduce automatically.</p>
	<p>INCLINE Δ ∇ Key</p> <p>Under ready condition, it is used for setting some data. Under running condition, it is used for setting incline, incline difference is 1% for each press. When we press it for above 0.5 seconds, it will progressive increase or reduce automatically.</p>
	<p>SPEED direct key</p> <p>Use these keys, you could set speed for 3 km/h, 6km/h, 9km/h, 12km/h directly.</p>
	<p>INCLINE direct key</p> <p>Use these keys, you could set incline for 3%, 6%, 9%, 12% directly.</p>
	<p>Music Voice on/off key</p> <p>You could use this key to turn on or off the voice of music.</p>



Music Voice + - key

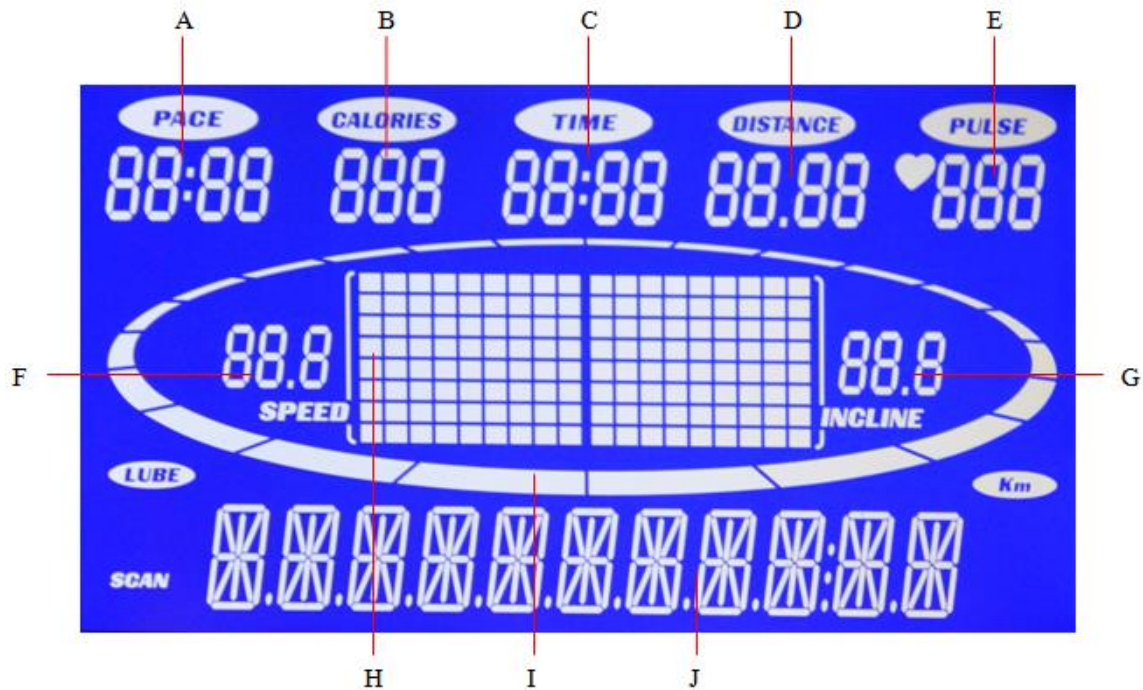
You could use these two keys to change the voice of music.



Music Select key

You could use these two keys to select next or last music.

DISPLAYED WINDOW



A	PACE: Display the time rate;
B	CALORIES: Display running calories
C	TIME: Display running time
D	DISTANCE: Display running distance
E	PULSE: Display running heart rates; Display P1-P99, U1-U3, F1-F3
F	SPEED: Display running speed
G	INCLINE: Display running incline
H	Display program picture
I	Display runway and number of turns DIST: Display running distance ; BMI: Display body fat test data
J	SCAN: Display flowing warning words; Display BODYFAT ; Display SEX, MAN, WOMAN, AGE, WEIGHT, HEIGHT

PROGRAMS

QUICK START (FOR MANUAL MODE)

- Turn on power switch, Put safe key in the right position.
- Press “START” Key, there will be 3 seconds countdown displayed on the window! After countdown, the machine will run at the speed of 1.0km/h.
- According to your needs, you could use “SPEED+”, “SPEED-” to change speed, use “INCLINEΔ”, “INCLINE▽” to change incline.
- When you put your hands on the handlebar’s heart pulse for 5-8 seconds, it will display heart rate on the screen.

MANUAL MODE

- Under ready condition, Press "Start" Key, the machine will run at the speed of 1.0km/h and incline 0%.The other window will forward count from 0. Press “INCLINE direct key, “SPEED direct key”, “INCLINEΔ”, “INCLINE▽”, “SPEED+”, “SPEED-”, you could change speed and incline.
- Under ready condition, press “MODE” to come into time countdown mode. Window “Time” displays “15:00” and shining, you could press “SPEED+”, “SPEED-” to set exercise time from 5:00—99:00.
- When on distance countdown mode, press “MODE” to enter. Window “ DIST” displays “1.0” and shining, you could press “SPEED+”, “SPEED-” to set exercise distance from 0.5—99.5
- When on calorie countdown mode, press “MODE” to enter. Window “ CAL” displays “50” and shining, you could press “SPEED+”, “SPEED-” to set calorie from 10—995.
- After finish setting time, distance or calorie mode, you could press “start” to start the machine. There will be 3 seconds countdown displayed on the window! After countdown, the machine will run at the speed of 1.0km/h. You could press “INCLINEΔ”, “INCLINE▽”, “SPEED+”, “SPEED-” to adjust speed and incline. Press “stop”, the machine will stop slowly.

PRESET PROGRAM

There are 99 built-in programs P1-P99, Under ready condition, press “PROG.” Key continuously, Window “PULSE” will display “P1-P99”, U1-U3.Window “SCAN” will display HRC, BODYFAT. P1-P99 are built-in programs. After selecting specific program, Window “Time” are shining and displaying“10:00” and shining, you could press “INCLINEΔ”. “INCLINE▽”, “SPEED+”, “SPEED-” to set exercise time from 5:00—99:00. After setting, press “START” to start the machine. Built-in programs have 18 parts, the time for each part=setting time / 18. When machines come into next part, there will be a voice “Bi-Bi- Bi” for 3 times to remind you, and speed and incline will be changed according to the built-in programs. No matter whether you have pressed “INCLINEΔ”, “INCLINE▽”, “SPEED+”, “SPEED-” to change speed and incline in front parts. After finishing one program, there will be voice “Bi- Bi-Bi” for 3 times, the machine stop slowly and “End” will be displayed on the window. 5 seconds later, the machine will come into ready condition.

USER-DEFINED PROGRAM

Setting for user-defined program:

Under ready condition, press “PROG.” Key continuously, Window “PULSE” will display “P1-P99”, U1-U3.Window “SCAN” will display HRC, BODYFAT. U1-U3 are user-defined program. After selecting U1 or U3, press “MODE” to set, “SPEED+”, “SPEED-” to set speed, “INCLINEΔ”, “INCLINE▽” to set incline. After setting, press “MODE” key to finish one part and come into next part. After finishing setting for 18 parts, press “start” to start the machine. User-defined program will be kept in the machine forever unless you reset them. These data can’t be lost even outage.

Special explain:

Every mode has 18 parts. You can only press “START” key to start the machine after finishing all parts’ setting and total exercise time setting.

Data range:

Parameter	Setting range	Displayed range
-----------	---------------	-----------------

Time (minute:second)	5:00-99:00	0:00—99:59
Incline (%)	0-20	0-20
Speed (KM/H)	1.0-20	1.0-20
Distance (KM)	0.5-99.5	0.00—99.9
Heart rate (time/minute)	N/A	40-250
Calorie (cal)	10-995	0—999

BODY FAT TEST

Under ready condition, press “PROG.” Key continuously to come into BODYFAT. Press “MODE” key, you could find “F-1-SEX”, “F-2-AGE”, “F-3-HEIGHT”, “F-4-WEIGHT”, “P”-BODYFAT” displayed on the window. Press “SPEED+”, “SPEED-” to set. After setting, press “MODE” to come into “BODYFAT”. At this time, put your hand on the heart pulse for 5-8 seconds, there will be body fat date displayed on the window. You could find whether your weight and height matches. (This data only for reference, can’t be used for medical data)

F-1	SEX	MAN	WOMAN
F-2	AGE	10-----99	
F-3	HEIGHT	100----240	
F-4	WEIGHT	20-----160	
P	BODYFAT	≤19	Underweight
	BODYFAT	=(20---25)	Normal weight
	BODYFAT	=(25---29)	Overweight
	BODYFAT	≥30	Obesity

POWER SAVE MODE

Our machine have power save function. When you turn on power switch for 10 minutes and don’t press any key, the machine will come into power save mode and there is no light on the screen. You could press any key into ready condition.

MAINTENANCE

Identification ways for the degree of tightness of running belt and poly V-belt:

When the running belt skips, please follow the steps as follows to make sure which belt needs to be adjusted, running belt or poly V-belt.

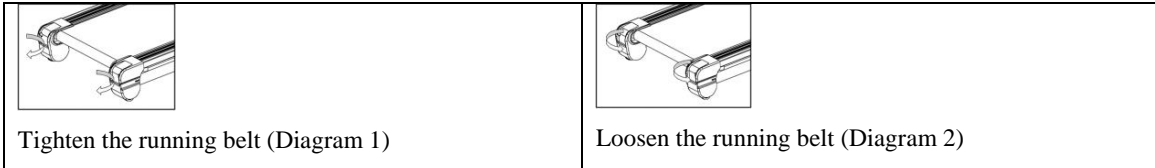
- Unplug all power supply, screw and remove the Base cover.
- Turn the speed to be around 3km/h, step on the running belt by pressure and try your best to make the running belt stop. If running belt stops, together with the front roll, but the motor still runs, under this condition, it means the poly V-belt needs to be adjusted.
- Turn the speed to be around 3km/h, step on the running belt by pressure and try your best to make the running belt stop. If running belt stops, but front roll still runs, under this condition, it means the running belt needs to be adjusted.

The adjustment steps for poly V-belt:

- Unplug all power supply and take off the base cover.
- Loosen the four screws for the motor, adjust the V-belt tension bolts in clockwise direction, and then tighten back the four screws for the motor.

Adjustment running belt:

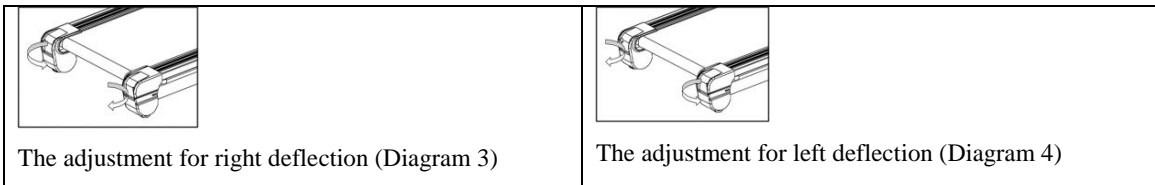
- a) Turn the speed to be 6km/h. for running
- b) Turn the both tension screws located at the end of the treadmill on the right and left sides, half a turn clockwise using the Allen key. (Diagram1 and Diagram 2)
- c) After adjustment, running belt still slips; please repeat the steps as above.



The adjustment steps for running belt deflection:

The running belt will be deflected more or less under using. Then it needs to be adjusted. The steps are as follows:

- a) Place the treadmill on a horizontal floor, turn the speed to be 6 km/h for running.
- b) If the running belt is deflected to the right, adjust the bolt on the right by turning it for half a turn clockwise, then adjust the bolt on the left by turning it half an anti-clockwise.(see Diagram 3)
- c) If the running belt is deflected to the left, adjust the bolt on the left by turning it for half a turn clockwise, then adjust the bolt on the right by turning it half a turn anti-clockwise.(see Diagram 4)
- d) After the adjustment, the running belt still keeps deflecting, please repeat the steps above.



Running board lubrication- Silicone oil has been provided (White Bottle)

The treadmill is brand-new and has been pre-factory lubricated. Lubrication is not necessary directly after purchase.

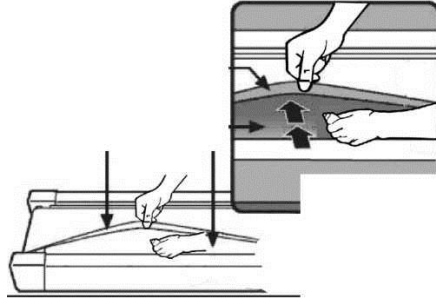
Lubrication needs constant maintenance termly after purchase. The friction between the running board and running belt has a great effect on the treadmills' life. So please lubricate your machine termly (every one month). The steps are as follows:

Step 1. Please unplug power supply for the treadmill and loosen the belt (Belt tension screw located at the end of the treadmill).

Step 2. After loosening the screw, lift up the running belt and clean in-between the running board. Squeeze the small white bottle of SILICONE oil which was supplied with your purchase and wipe it evenly across the board.

Step 3. After lubricating the board, screw the belt tension back to its correct tension. Tighten evenly on both sides. When it is almost tensioned, run the treadmill at 1km without any load. Adjust both tension screws to make the belt in the centre of the back roller. Run the treadmill at 5km for 3mins.

Step 4. Stop the treadmill and start to walk on it at 5km/h. Lastly fine tension both screws until it's running smoothly with your weight on.



CLEANING

- a) Please power off and pull the plug out before cleaning.
- b) Wipe out the dust stuck on the surface and running board frequently.
- c) Please clean the surface of frame and running belt with a soft cloth dipped with suds, don't use things like eradicator and naphtha.(After cleaning, please dry it for use)
- d) Please take the protecting cover off every two month, use vacuum dust-collector to suck the dust remaining inside of the protecting cover.(The dust will make the components of circuitry board short circuit)

CAUTIONS, DEPOSITING

Cautions

Please make sure that the plug has been pulled out before cleaning or maintenance.

Depositing

The treadmill should be deposited indoor in case of being damp. Water can't be spattered and nothing can be laid and inserted on the treadmill.

Please keep the air a little humid in winter. And please void the big static electricity, it may disturb the operation of meters or even damage them.

GUIDES FOR MALFUNCTION

Analyzing and eliminating malfunction

Item	Malfunction	Reasons	Solution
1	Treadmill can't be started	The safe key isn't in the right position	Put the safe key in the right position
		The electrical switch is placed to "0"	Turn the electrical switch to "1"
2	Meter can't display	Check the machine whether it is in power	Check the power cord are connected well and switch on
		The upper communication is broken	Replace it!
		The meter and upper communication line are not connected well	Disassembly meter and check the upper communication line, make sure that meter and communication line are connected well.
3	Heart rate can't be displayed	The pole of heart rate sensor is not wet enough	Wet the pole with water or liquor for hard contact lenses

		Disturbed by electromagnetism	Stay away from electromagnetism
4	Incline doesn't work	The motor wire is not well connected	Open the motor cover and reconnect it
5	Running belt runs faster or slower than what has been displayed	Unadjusted	Readjust it
6	Running belt slips	Running belt is not tight enough	Please read "Maintenance: The adjustment steps for poly V-belt / Adjustment running belt"
7	Running belt is deflected	The running belt is unadjusted.	Please read "Maintenance: The adjustment steps for running belt deflection"
8	Displayed E01 on the screen	The sensor wire or motor are broken	Remove the motor cover and change the sensor wire, motor in return
9	Displayed E02 on the screen	over power voltage protection	Use normal voltage.
10	Displayed E03 on the screen	over current protection	Check whether it is overloading
			Check whether the drive motor can run normally. If not, replace motor.
11	Displayed E04 on the screen	The motor is not in power	The motor wire are not connected well or the motor are broken
12	Displayed E06 on the screen	Connection error	Changing the upper or lower connection line
13	Displayed E09 on the screen	Incline error	The incline motor wire are not connected well or the incline motor are broken
14	Displayed E0P on the screen	Speed error	Setting parameter wrong or sensor wire broken
15	Displayed E0C on the screen	Short-circuit protection	PCB MOS broken or motor broken
16	Displayed E07 on the screen	Safety key off	Put safety key on the meter or change the safety key or reed pipe for safety key
17	Displayed E0E on the screen	Eeprom error	Upper or lower communication line broken or PCB broken

If you still can't solve the problems after taking the solutions above, we hope that you can contact our dealer or company as soon as possible.

TERMS AND CONDITIONS OF WARRANTY, WARRANTY CLAIMS

General Conditions of Warranty and Definition of Terms

All Warranty Conditions stated hereunder determine Warranty Coverage and Warranty Claim Procedure. Conditions of Warranty and Warranty Claims are governed by Act No. 40/1964 Coll. Civil Code, Act No. 513/1991 Coll., Commercial Code, and Act No. 634/1992 Coll., Consumer Protection Act, as amended, also in cases that are not specified by these Warranty rules.

The seller is SEVEN SPORT s.r.o. with its registered office in Borivojova Street 35/878, Prague 13000, Company Registration Number: 26847264, registered in the Trade Register at Regional Court in Prague, Section C, Insert No. 116888.

According to valid legal regulations it depends whether the Buyer is the End Customer or not.

“The Buyer who is the End Customer” or simply the “End Customer” is the legal entity that does not conclude and execute the Contract in order to run or promote his own trade or business activities.

“The Buyer who is not the End Customer” is a Businessman that buys Goods or uses services for the purpose of using the Goods or services for his own business activities. The Buyer conforms to the General Purchase Agreement and business conditions to the extent specified in the Commercial Code.

These Conditions of Warranty and Warranty Claims are an integral part of every Purchase Agreement made between the Seller and the Buyer. All Warranty Conditions are valid and binding, unless otherwise specified in the Purchase Agreement, in the Amendment to this Contract or in another written agreement.

Warranty Conditions

Warranty Period

The Seller provides the Buyer a 24 months Warranty for Goods Quality, unless otherwise specified in the Certificate of Warranty, Invoice, Bill of Delivery or other documents related to the Goods. The legal warranty period provided to the Consumer is not affected.

By the Warranty for Goods Quality, the Seller guarantees that the delivered Goods shall be, for a certain period of time, suitable for regular or contracted use, and that the Goods shall maintain its regular or contracted features.

The Warranty does not cover defects resulting from:

User's fault, i.e. product damage caused by unqualified repair work, improper assembly, insufficient insertion of seat post into frame, insufficient tightening of pedals and cranks

Improper maintenance

Mechanical damages

Regular use (e.g. wearing out of rubber and plastic parts, joints etc.)

Unavoidable event, natural disaster

Adjustments made by unqualified person

Improper maintenance, improper placement, damages caused by low or high temperature, water, inappropriate pressure, shocks, intentional changes in design or construction etc.

Warranty Claim Procedure

The Buyer is obliged to check the Goods delivered by the Seller immediately after taking the responsibility for the Goods and its damages, i.e. immediately after its delivery. The Buyer must check the Goods so that he discovers all the defects that can be discovered by such check.

When making a Warranty Claim the Buyer is obliged, on request of the Seller, to prove the purchase and validity of the claim by the Invoice or Bill of Delivery that includes the product's serial number, or eventually by the documents without the serial number. If the Buyer does not prove the validity of the Warranty Claim by these documents, the Seller has the right to reject the Warranty Claim.

If the Buyer gives notice of a defect that is not covered by the Warranty (e.g. in the case that the Warranty Conditions were not fulfilled or in the case of reporting the defect by mistake etc.), the Seller is eligible to

require a compensation for all the costs arising from the repair. The cost shall be calculated according to the valid price list of services and transport costs.

If the Seller finds out (by testing) that the product is not damaged, the Warranty Claim is not accepted. The Seller reserves the right to claim a compensation for costs arising from the false Warranty Claim.

In case the Buyer makes a claim about the Goods that is legally covered by the Warranty provided by the Seller, the Seller shall fix the reported defects by means of repair or by the exchange of the damaged part or product for a new one. Based on the agreement of the Buyer, the Seller has the right to exchange the defected Goods for a fully compatible Goods of the same or better technical characteristics. The Seller is entitled to choose the form of the Warranty Claim Procedures described in this paragraph.

The Seller shall settle the Warranty Claim within 30 days after the delivery of the defective Goods, unless a longer period has been agreed upon. The day when the repaired or exchanged Goods is handed over to the Buyer is considered to be the day of the Warranty Claim settlement. When the Seller is not able to settle the Warranty Claim within the agreed period due to the specific nature of the Goods defect, he and the Buyer shall make an agreement about an alternative solution. In case such agreement is not made, the Seller is obliged to provide the Buyer with a financial compensation in the form of a refund.



SEVEN SPORT, s.r.o.

Borivojova 35/878 130 00 Praha 3, Czech Republic

CRN: 268 47 264, VAT ID: CZ26847264

Orders: +420 556 300 970, objednavky@insportline.cz

Warranty Claims: +420 556 770 190, Mobile: +420 604 853 019, reklamace@insportline.cz

Service: +420 556 770 190, Mobile: +420 604 853 019, servis@insportline.cz

Fax: +420 556 770 192, (Service +420 556 770 191)

Web: www.insportline.cz, www.worker.cz, www.worker-moto.cz



INSPORTLINE, s.r.o.

Bratislavská 36, 911 05 Trenčín, Slovakia

CRN: 36311723, VAT ID: SK2020177082

Orders: +421(0)326 526 701, +421(0)917 649 192, objednavky@insportline.sk

Warranty Claims: +421(0)326 526 701, +421(0)918 408 519, reklamacie@insportline.sk

Fax: +421(0)326 526 705

Web: www.insportline.sk, www.worker.sk, www.worker-moto.sk

Date of Sale:

Stamp and Signature of Seller: